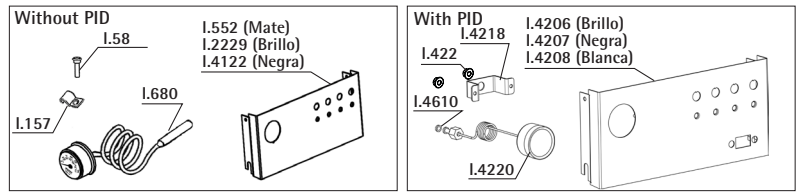


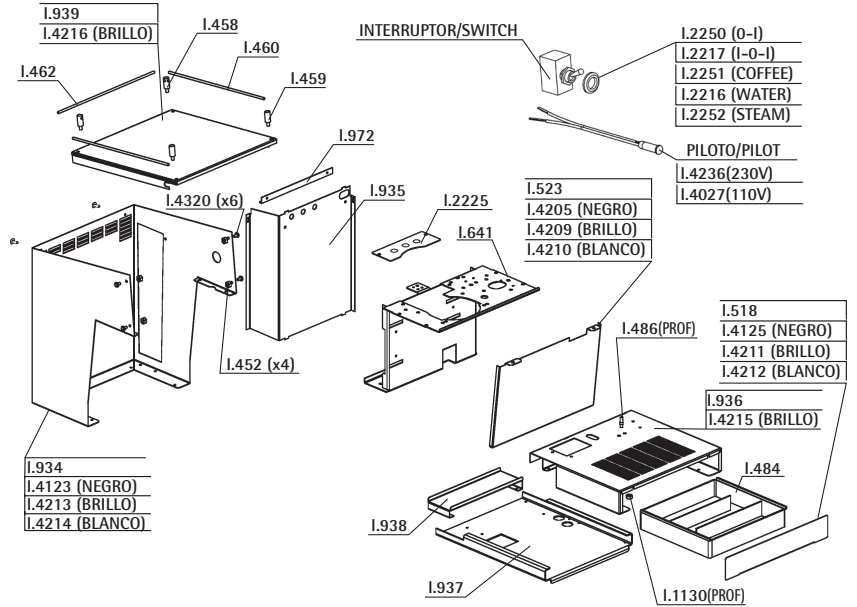


Steel 2019

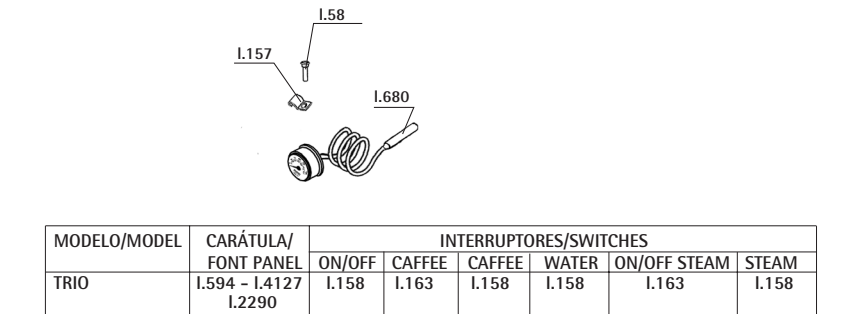
REF.	DESCRIPCIÓN	DESCRIPTION
I...58	TORNILLO BRIDA FUSIBLE	SCREW SPRING
I.157	MUELLE FIJACION FUSIBLE P.F	ON-OFF BIP. SWITCH
I.158	INTERRUPTOR DREAM BIPOLAR ON-OFF	DREAM ON-ON SWITCH
I.163	INTERRUPTOR DREAM ON-ON	NUT WITH WASHERE
I.452	TUERCA CON ARANDELA M4 INOX	FRONTAL NUT
I.452	TUERCA SUJECION CARATULA	CORNER SUPPORT
I.458	SOPORTE BARANDILLA ESQUINA	SUPPORT
I.459	SOPORTE BARANDILLA LINEA	LATERAL BAR (257mm)
I.460	VARILLA LATERAL 257mm	BACK ROD DUO
I.462	VARILLA FONDO DUO 250mm	WATER DRAWER
I.484	CAJON AGUA	PROF STEM
I.486	BOQUILLA DESCARGA UNO	FRONTAL
I.518	FRONTAL CAJON UNO-DUO	EMBELLISH DUO
I.523	FRONTAL INTER. UNO DUO	MASK UNO DUO PROF
I.552	CARATULA UNO DUO PROF	DUO PROF.MECHANISME BASE
I.641	BASE MECANISMOS UNO DUO	STEEL TERMOMETER
I.680	TERMOMETRO STEEL	UNO DUO DL ENVELOPING
I.934	CARROCERIA UNO DUO	PLATE TANK (RIGHT)
I.935	COMPARTIMENTO DEPOSITO DRCH	BASE UNO DUO DL
I.936	BASE UNO DUO	BOTTOM BASE DUO DL
I.937	BASE FONDO UNO DUO	TANK BASE DL
I.938	BASE DEPOSITO DL	UNO DUO UPPER LID
I.939	TAPA SUPERIOR UNO DUO	GUIDE
I.972	GUIA COMPARTIMENTO	NUT M5
I.1130	TUERCA CON ARANDELA M5	3 POSITION SWITCH - STEEL
I.2213	CONMUTADOR 3 POSICIONES STEEL	DREAM SWITCH NUT - WATER
I.2216	TUERCA INTERRUPTOR DREAM WATER	DREAM SWITCH NUT - ON/OFF/ON
I.2217	TUERCA INTERRUPTOR DREAM I-O-I	MASK UNO DUO PROF SHINE
I.2225	CIERRE BASE MECANISMOS STEEL P	SWITCH DREAM NUT ON/OFF
I.2250	TUERCA INTERRUPTOR DREAM ON/OF	SWITCH DREAM NUT COFFEE
I.2251	TUERCA INTERRUPTOR DREAM COFFE	SWITCH DREAM NUT STEAM
I.2252	TUERCA INTERRUPTOR DREAM STEAM	CARATULA UNO - DUO PM/PF/PROF BRILLO
I.2229	CARATULA UNO - DUO PM/PF/PROF BRILLO	INTERRUPTOR CAFE STEEL TRONIC 2016
I.3920	INTERRUPTOR CAFE STEEL TRONIC 2016	PILOTO BLANCO STEEL 125V UL
I.4027	PILOTO BLANCO STEEL 125V UL	MASK UNO DUO PROF BLACK
I.4122	CARATULA UNO-DUO PM/PF/PROF NEGRA	UNO DUO ENVELOPING BLACK
I.4123	ENVOLVENTE UNO DUO NEGRO	FRONAL UNO DUO PID 2017 SHINE
I.4125	FRONTAL CAJON UNO DUO NEGRO	FRONAL UNO DUO PID 2017 BLACK
I.4205	FRONTAL INERT UNO DUO PM/PF NEGRO	FRONAL UNO DUO PID 2017 WHITE
I.4206	CARATULA UNO DUO PID 2017 AISI304 BRILLO	FRONTAL INTERMEDIO UNO DUO SHINE
I.4207	CARATULA UNO DUO PID 2017 NEGRO	FRONAL UNO DUO PID 2017 BLACK
I.4208	CARATULA UNO DUO PID 2017 BLANCA	FRONAL UNO DUO PID 2017 WHITE
I.4209	FRONTAL INTERMEDIO UNO DUO AISI304 BRILLO	INTERMEDIATE STEEL UNO DUO SHINE
I.4210	FRONTAL INTERMEDIO UNO DUO BLANCO	INTERMEDIATE FRONT UNO DUO WHITE
I.4211	FRONTAL CAJON UNO DUO AISI 304 BRILLO	DRAWER FRONTAL UNO DUO SHINE
I.4212	FRONTAL CAJON UNO DUO BLANCO	DRAWER FRONTAL UNO DUO WHITE
I.4213	ENVOLVENTE UNO DUO AISI304 BRILLO	ENVELOPING UNO DUO SHINE
I.4214	ENVOLVENTE UNO DUO BLANCO	ENVELOPING UNO DUO WHITE
I.4215	BASE UNO DUO AISI304 BRILLO	BASE UNO DUO SHINE
I.4216	TAPA SUPERIOR UNO DUO AISI304 BRILLO	UPPER LID UNO DUOP SHINE
I.4218	SOPORTE MANOMETRO STEEL PID 2017	MANOMETER BRACKET STEEL PID 2017
I.4220	MANOMETRO DREAM/STEEL	MANOMETER DREAM/STEEL
I.4236	PILOTO BLANCO STEEL 230V	PILOT WHITE STEEL 220V
I.4320	TORNILLO SUJECION CARATULA	FRONTAL SCREW
I.4610	JUNTA 8,5x4,4x2 PTFE	GASKET 8,5x4,4x2 PTFE



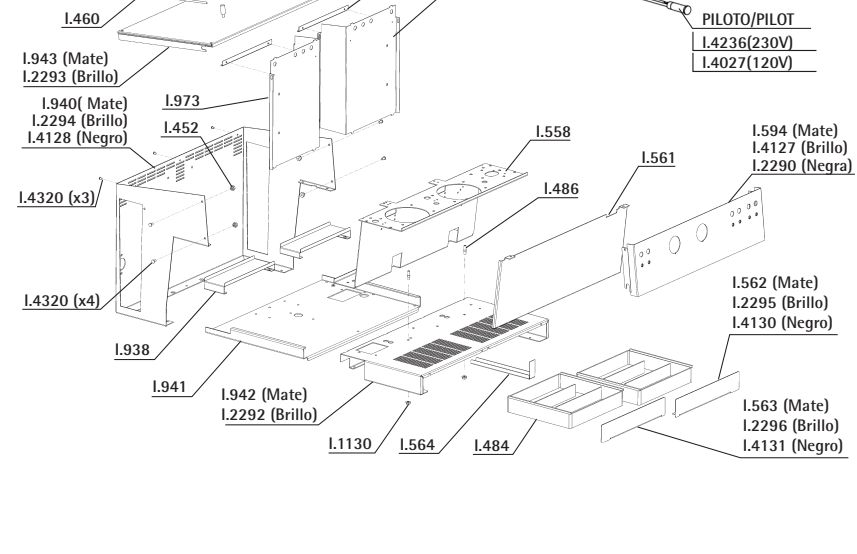
MODELO/MODEL	CARÁTULA/ FONT PANEL	INTERRUPTORES/SWITCHES			
		ON/OFF	COFFEE	WATER	STEAM
UNO VERSATIL	i.552	i.163	i.163	i.158	i.158
DUO VERSATIL	i.552	i.163	i.158	i.158	i.163
UNO PID	i.4206 / i.4207	i.163	i.3920	i.163	i.163
DUO PID	i.4208	i.163	i.3920	i.158	i.163



REF.	DESCRIPCIÓN	DESCRIPTION
I...58	TORNILLO BRIDA FUSIBLE	SCREW SPRING
I.157	MUELLE FIJACION FUSIBLE P.F	ON-OFF BIP. SWITCH
I.158	INTERRUPTOR DREAM BIPOLAR ON-OFF	DREAM ON-ON SWITCH
I.163	INTERRUPTOR DREAM ON-ON	FRONTAL NUT
I.452	TUERCA CARÁTULA	CORNER SUPPORT
I.458	SOPORTE BARANDA CORNER	SUPPORT
I.459	SOPORTE BARANDILLA LINEA	LATERAL BAR (257MM)
I.460	VARILLA LATERAL (257MM)	FRONTAL BAR TRIO
I.464	VARILLA FONDO TRIO	WATER DRAWER
I.484	CAJÓN AGUA	PROF STEM
I.486	BOQUILLA DESCARGA PROF/PM	BEAUTIFYING TRIO
I.558	BASE MECANISMOS TRIO	TRIO PROFESSIONAL FRONTAL
I.561	FRONTAL INTERMEDIO TRIO	STEEL TERMOMETER
I.562	FRONTAL CAJÓN DRCH. TRIO	PLATE TANK (RIGHT)
I.563	FRONTAL CAJÓN IZQ TRIO	TANK BASE DL
I.564	GUIA CAJÓN BASE TRIO	TRIO DL ENVELOPING
I.594	CARATULA TRIO PROF	BOTTOM BASE TRIO DL
I.680	TERMOMETRO STEEL	BASE TRIO DL
I.935	COMPARTIMENTO DEPOSITO DERECHO	TRIO DL UPPER LID
I.938	BASE DEPOSITO	GUIDE
I.940	ENVOLVENTE TRIO DL	COMPARTIMENT LEFT TANK
I.941	BASE FONDO TRIO DL	NUT M5
I.942	BASE TRIO DL	DREAM SWITCH NUT - WATER
I.943	TAPA SUPERIOR TRIO DL	DREAM SWITCH NUT - ON/OFF/ON
I.972	GUIA COMPARTIMIENTO	SWITCH DREAM NUT ON/OFF
I.973	COMPARTIMENTO DEPOSITO IZQ.	SWITCH DREAM NUT COFFEE
I.1130	TUERCA CON ARANDELA M5 INOX	SWITCH DREAM NUT STEAM
I.2216	TUERCA INTERRUPTOR DREAM WATER	CARATULA TRIO PROF BRILLO
I.2217	TUERCA INTERRUPTOR DREAM I-O-I	BASE TRIO DL BRILLO
I.2250	TUERCA INTERRUPTOR DREAM ON/OF	TAPA SUPERIOR TRIO DL BRILLO
I.2251	TUERCA INTERRUPTOR DREAM COFFE	ENVOLVENTE TRIO BRILLO
I.2252	TUERCA INTERRUPTOR DREAM STEAM	FRONTAL CAJÓN DRCH. TRIO BRILLO
I.2290	CARATULA TRIO PROF BRILLO	FRONTAL CAJÓN IZQ TRIO BRILLO
I.2292	BASE TRIO DL BRILLO	PILOTO BLANCO STEEL 125V UL
I.2293	TAPA SUPERIOR TRIO DL BRILLO	CARATULA TRIO NEGRO
I.2294	ENVOLVENTE TRIO BRILLO	ENVOLVENTE TRIO NEGRO
I.2295	FRONTAL CAJÓN DRCH. TRIO BRILLO	FRONTAL CAJÓN DRCH. TRIO NEGRO
I.2296	FRONTAL CAJÓN IZQ TRIO BRILLO	FRONTAL CAJÓN IZQ TRIO NEGRO
I.4027	PILOTO BLANCO STEEL 125V UL	PILOTO BLANCO PID 250V
I.4127	CARATULA TRIO NEGRO	TORNILLO M4x8 DIN7380 INOX A2.
I.4128	ENVOLVENTE TRIO NEGRO	
I.4130	FRONTAL CAJÓN DRCH. TRIO NEGRO	
I.4131	FRONTAL CAJÓN IZQ TRIO NEGRO	
I.4236	PILOTO BLANCO PID 250V	
I.4320	TORNILLO M4x8 DIN7380 INOX A2.	



MODELO/MODEL	CARÁTULA/ FONT PANEL	INTERRUPTORES/SWITCHES					
		ON/OFF	CAFFEE	CAFFEE	WATER	ON/OFF STEAM	STEAM
TRIO	I.594 - I.4127 I.2290	I.158	I.163	I.158	I.158	I.163	I.158





# Steel System PF







**Steel Versatile**  
Ø 60mm

9

Grupo Café UNO Versatil / PID ■ UNO Versatile / PID Coffee Group

ASCASO

REF.	DESCRIPCIÓN	DESCRIPTION
ESC433	GRUPO INTERC. INOX UNO PROF 2016 (230V)	GROUP INOX PROF UNO 2016 (230V)
ESC434	GRUPO INTERC. INOX UNO PROF 2016 (110V)	GROUP INOX PROF UNO 2016 (110V)
ESC445	GRUPO INTERC. INOX STEEL UNO PID 230V 2017	GROUP INOX PROF UNO PID 2017 (230V)
ESC449	GRUPO INTERC. INOX STEEL UNO PID 110V 2017	GROUP INOX PROF UNO PID 2017 (110V)
I...44	RACORD CODO	RL BOIX FITTING
I...92	RACOR 1/8"	FITTING MALE
I.135	RACOR CODO 13280 4 1/8	FITTING SPRING
I.157	BRIDA FIJACION FUSIBLE/TERMOMETRO	3 WAY SOLENOID 230V
I.259	ELECTROV. 3 VIAS 230V	3 WAY SOLENOID 110V
I.706	ELECTROV. 3 VIAS 120V	TEFLON PIPE 2X4 (140mm)
I.952	TUBO TEFLON 2X4 (140mm)	TEFLON PIPE 2X4 (140mm)
I.1130	TUERCA CON ARANDELA M5 INOX	NUT M5
I.1167	ARO RETENCION FILTRO PROF.	PROF. SPRING FILTER
I.1263	TUERCA BICONO 4	BICONE NUT 4
I.1264	BICONO 4mm	BICONE 4
I.1600	JUNTA PORTAFILTROS 8 mm	FILTERHOLDER GASKET 8MM
I.2237	CJTO INTERCAMBIADOR INOX. 230V	THERMOBLOCK INOX. 230V
I.2238	CJTO INTERCAMBIADOR INOX. 110V	THERMOBLOCK INOX. 110V
I.2279	TORNILLO M5X50 DIN7991 A-4 80 INOX	SCREW M5X50 DIN7991 A-2 SS
I.2285	RACOR CONEXION GRIFO	FITTING
I.2307	PROLONGACION GRUPO BASIC	BASIC COFFEE GROUP EXTENSION
I.2364	RACOR CONTADOR VOLUMETRICO 1/8"-1/8" INOX	FITTING VOLUMETRIC CONTROL 1/8"-1/8"
I.3096	JUNTA INTERCAMBIADOR	HEAT EXCHANGER GASKET
I.3510	CAMPANA PROF. 2016	BELL PROF. 2016
I.3511	ROCIADOR GRUPO PROF. 2016	SPRAY GROUP PROF. 2016
I.3512	POSTIZO CAMPANA PROF. 2016	BELL PROF. 2016 SUPPLEMENT
I.3514	RACORD CONEXION SOLO CAFE	FITTING
I.3879	JUNTA PLANA PORTA CAPSULAS 36.5x50x2	SILICONE WASHER
I.3811	CHAPA SOPORTE GRUPO PROF 2016	GROUP PROF 2016 SUPPORT SHEET
I.3934	RACOR T 1/8 H-H-M	FITTING T 1/8 H-H-M
I.4173	FUNDA TERMICA INTECAMBIADOR INOX.	THERMAL COVER
I.4234	RACOR CONEXION INTERC-MANOMETRO M6-1/8	FITTING CONNECT TBLOCK-MANOMETER
I.4567	DUCHA SIMPLE 60MM	EASY SHOWER 60MM

ESC433 (230V)  
ESC434 (110V)  
ESC445 (PID 230V)  
ESC449 (PID 110V)

I.135  
I.4234  
I.952  
I.1263  
I.1264  
I.3514  
I.2285  
I.2307  
I.1130 (x4)  
I.1135  
I.92  
I.3934  
I.2364  
I.157 (NO PID)  
I.259 (230V)  
I.706 (110V)  
I.3096  
I.12237 (230v)  
I.2238 (110v)  
I.135 Plug in I.952  
I.44  
I.3096  
I.4173 (PID)  
I.3811  
I.3512  
I.3510  
I.1600  
I.3511  
I.4567 (Simple)  
I.2279 (x4)

10

Grupo Café DUO versátil / TRIO versátil derecho (+04/2017) ■ DUO versatile / TRIO versatile right Coffee Group (+04/2017)

ASCASO

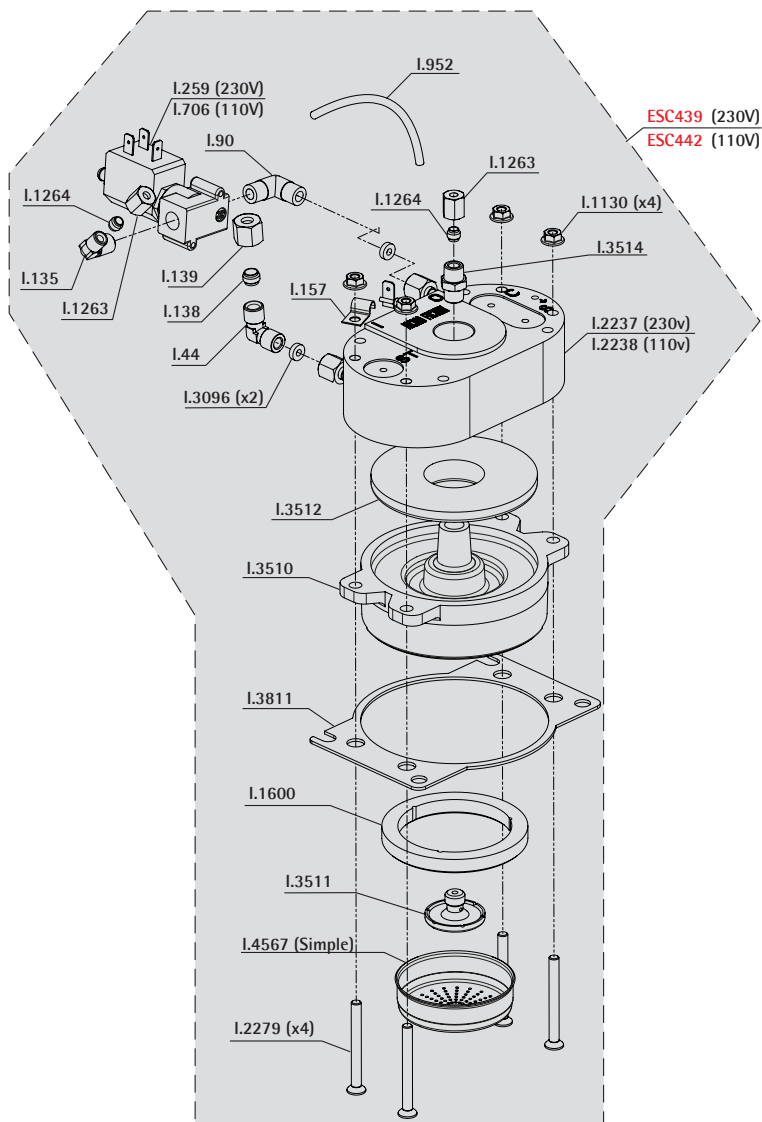
REF.	DESCRIPCIÓN	DESCRIPTION
ESC435	GRUPO INTERC. INOX DUO PROF 2016 (230V)	GROUP INOX PROF DUO 2016 (230V)
ESC436	GRUPO INTERC. INOX DUO PROF 2016 (110V)	GROUP INOX PROF DUO 2016 (110V)
ESC446	GRUPO INTERC. INOX STEEL DUO PID 230V 2017	GROUP INOX PROF DUO PID 2017 (230V)
ESC450	GRUPO INTERC. INOX STEEL DUO PID 110V 2017	GROUP INOX PROF DUO PID 2017 (110V)
I...44	RACORD CODO	RL BOIX FITTING
I...92	RACOR 1/8"	FITTING MALE
I.135	RACOR CODO 13280 4 1/8	FITTING SPRING
I.157	BRIDA FIJACION FUSIBLE/TERMOMETRO	3 WAY SOLENOID 230V
I.259	ELECTROV. 3 VIAS 230V	3 WAY SOLENOID 110V
I.706	ELECTROV. 3 VIAS 120V	TEFLON PIPE 2X4 (140mm)
I.952	TUBO TEFLON 2X4 (140mm)	TEFLON PIPE 2X4 (140mm)
I.1130	TUERCA CON ARANDELA M5 INOX	NUT M5
I.1263	TUERCA BICONO 4	BICONE NUT 4
I.1264	BICONO 4mm	BICONE 4
I.1600	JUNTA PORTAFILTROS 8 mm	FILTERHOLDER GASKET 8MM
I.2237	CJTO INTERCAMBIADOR INOX. 230V	THERMOBLOCK INOX. 230V
I.2238	CJTO INTERCAMBIADOR INOX. 110V	THERMOBLOCK INOX. 110V
I.2279	TORNILLO M5X50 DIN7991 A-4 80 INOX	SCREW M5X50 DIN7991 A-2 SS
I.2285	RACOR CONEXION GRIFO	FITTING
I.2307	PROLONGACION GRUPO BASIC	BASIC COFFEE GROUP EXTENSION
I.3203	MANGO PORTA MADERA BARISTA	HANDLE WOOD BARISTA
I.3096	JUNTA INTERCAMBIADOR	HEAT EXCHANGER GASKET
I.3510	CAMPANA PROF. 2016	BELL PROF. 2016
I.3511	ROCIADOR GRUPO PROF. 2016	SPRAY GROUP PROF. 2016
I.3512	POSTIZO CAMPANA PROF. 2016	BELL PROF. 2016 SUPPLEMENT
I.3514	RACORD CONEXION SOLO CAFE	FITTING
I.3811	CHAPA SOPORTE GRUPO PROF 2016	GROUP PROF 2016 SUPPORT SHEET
I.3934	RACOR T 1/8 H-H-M	FITTING T 1/8 H-H-M
I.4173	FUNDA TERMICA INTECAMBIADOR INOX.	THERMAL COVER
I.4234	RACOR CONEXION INTERC-MANOMETRO M6-1/8	FITTING CONNECT TBLOCK-MANOMETER
I.4567	DUCHA SIMPLE 60MM	EASY SHOWER 60MM

ESC435 (230V)  
ESC436 (110V)  
ESC446 (PID 230V)  
ESC450 (PID 110V)

I.135  
I.4234  
I.952  
I.1263  
I.1264  
I.3514  
I.2285  
I.2307  
I.1130 (x4)  
I.1135  
I.92  
I.3934  
I.2364  
I.157 (NO PID)  
I.259 (230V)  
I.706 (110V)  
I.3096  
I.12237 (230v)  
I.2238 (110v)  
I.135  
I.44  
I.3096  
I.4173 (PID)  
I.3811  
I.3512  
I.3510  
I.1600  
I.3511  
I.4567 (Simple)  
I.2279 (x4)

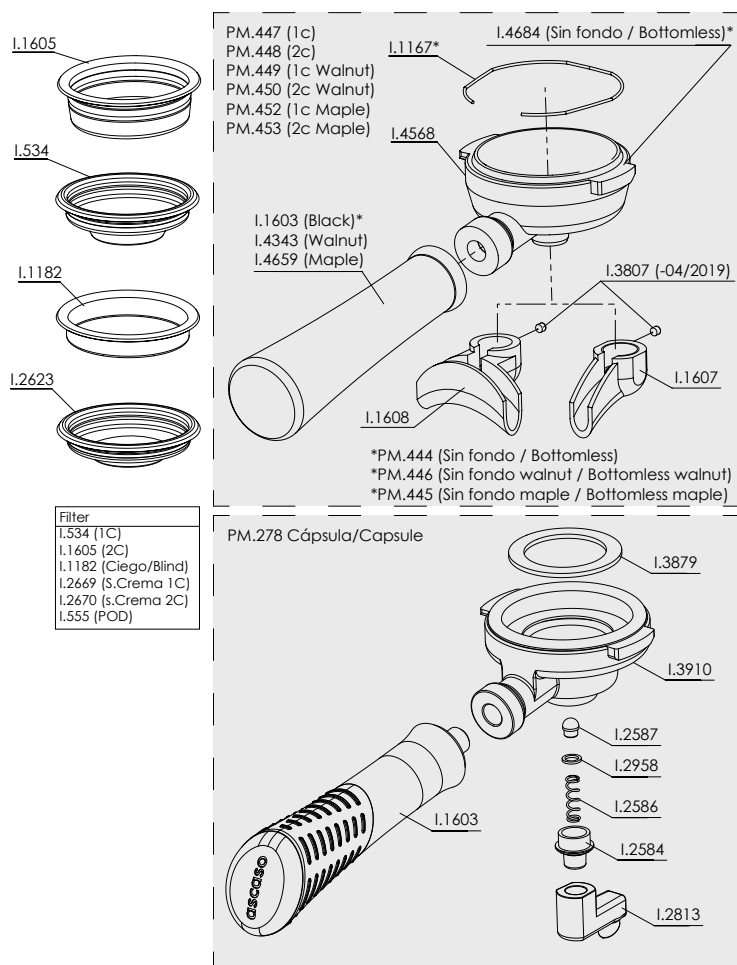
ASCASO





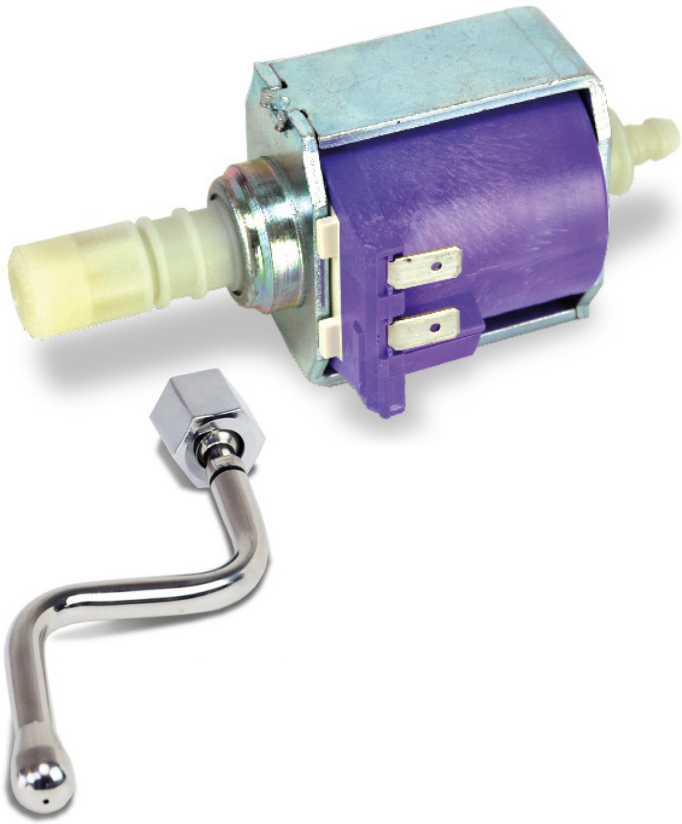
REF.	DESCRIPCIÓN	DESCRIPTION
ESC439	GRUPO INT. INOX STEEL TRIO PROF 230V 2017	GROUP INOX PROF TRIO 2017 230V
ESC442	GRUPO INT. INOX STEEL TRIO PROF 120V 2017	GROUP INOX PROF TRIO 2016 120V
I...44	RACORD CODO	RL BOX FITTING
I...90	RACOR CODO MACHO 1/8"	FITTING
I...135	RACOR CODO 13280 4 1/8	FITTING
I...138	TUERCA BICONO	NUT
I...139	BICONO DIAMETRO 6MM	BICONE
I...157	BRIDA FIJACION FUSIBLE/TERMOMETRO	SPRING
I...259	ELECTROV. 3 VIAS 230V	3 WAY SOLENOID 230V
I...706	ELECTROV. 3 VIAS 120V	3 WAY SOLENOID 110V
I...952	TUBO TEFLON 2X4 (140mm)	TEFLON PIPE 2X4 (140mm)
I.1130	TUERCA CON ARANDELA M5 INOX	NUT M5
I.1167	ARO RETENCION FILTRO PROF.	PROF. SPRING FILTER
I.1263	TUERCA BICONO 4	BICONE NUT 4
I.1264	BICONO 4mm	BICONE 4
I.1600	JUNTA PORTAFILTROS 8 mm	FILTERHOLDER GASKET 8MM
I.1601	DUCHA DOBLE BARISTA	DOUBLE GROUP FILTER
I.2237	CJTO INTERCAMBIADOR INOX. 230V	THERMOBLOCK INOX. 230V
I.2238	CJTO INTERCAMBIADOR INOX. 110V	THERMOBLOCK INOX. 110V
I.2279	TORNILLO M5X50 DIN7991 A-4 80 INOX	SCREW M5X50 DIN7991 A-2 SS
I.3096	JUNTA INTERCAMBIADOR	HEAT EXCHANGER GASKET
I.3510	CAMPANA PROF. 2016	BELL PROF. 2016
I.3511	ROCIADOR GRUPO PROF. 2016	SPRAY GROUP PROF. 2016
I.3512	POSTIZO CAMPANA PROF. 2016	BELL PROF. 2016 SUPPLEMENT
I.3514	RACOR CONEXION SOLO CAFE	FITTING
I.3879	JUNTA PLANA PORTA CAPSULAS 36.5x50x2	SILICONE WASHER
I.3910	CUERPO PORTAFILTRO CAPS. FAP BARISTA-BAR-STEEL 016	FILTERHOLDER CAPS. FAP BARISTA-BAR-STEEL 016
I.4567	DUCHA SIMPLE 60MM	EASY SHOWER 60MM

Portafiltros grupos versátil ■ Veratile group filterholder



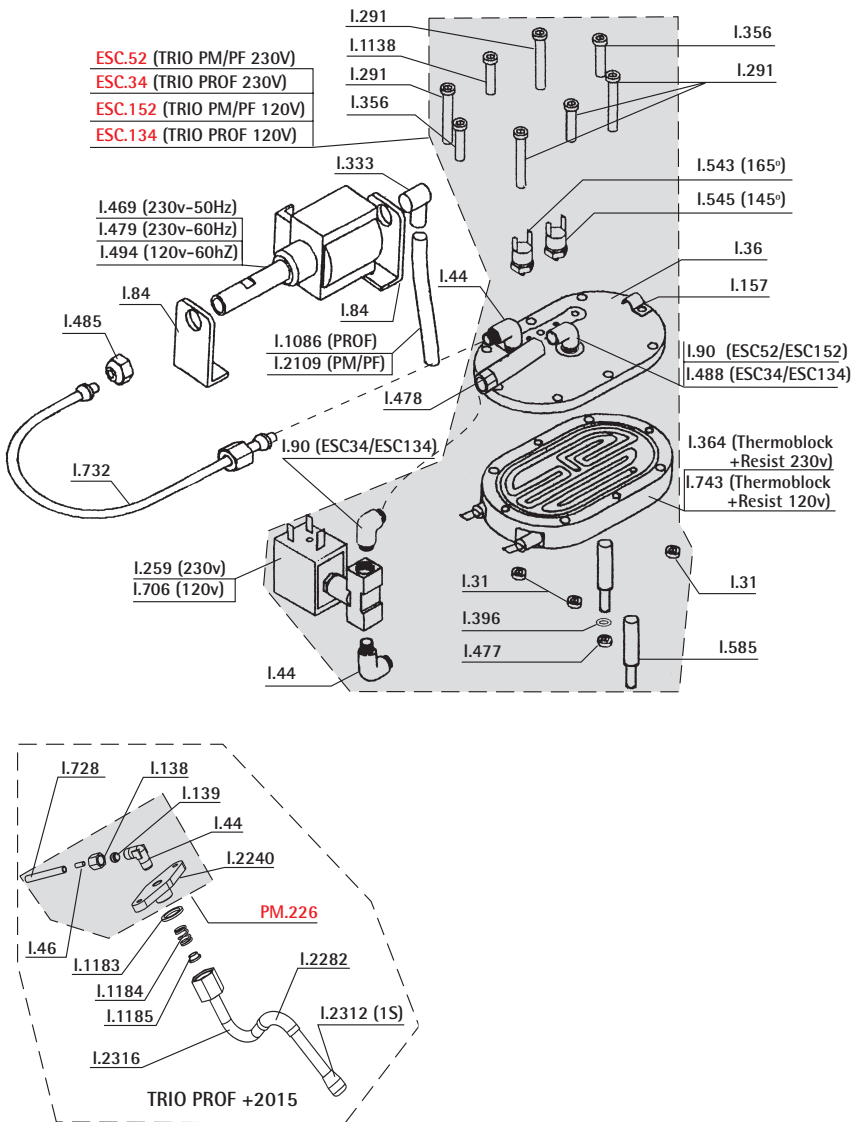
REF.	DESCRIPCIÓN	DESCRIPTION
ESC439	GRUPO INT. INOX STEEL TRIO PROF 230V 2017	GROUP INOX PROF TRIO 2017 230V
ESC442	GRUPO INT. INOX STEEL TRIO PROF 120V 2017	GROUP INOX PROF TRIO 2016 120V
I...534	FILTRO 1 CAFE PROFESIONAL	PROFESSIONAL 1 COFFEE FILTER
I...555	CACILLO POD PROF.	POD PROF. FILTER
I.1167	ARO RETENCION FILTRO PROF.	PROF. SPRING FILTER
I.1182	CACILLO CIEGO PROF/BARISTA	PROF BLIND FILTER
I.4568	CUERPO PORTAFILTRO M12 INCLINADO EXTRA PROFUNDO	FILTER HOLDER BODY M12 EXTRA DEEP
I.1603	MANGO PORTAFILTRO BARISTA	FILTERHOLDER HANDLE
I.1605	FILTRO 2 CAFES PROFESIONAL	PROFESSIONAL 2 COFFEE FILTER
I.1607	SALIDA 1 CAFE ABIERTA	1 COFFEE SPOUT
I.1608	SALIDA 2 CAFES ABIERTA	2 WAYS COFFEE SPOUT
I.2584	CIERRE S.CREMA KAP	EXTRA CREAM STOP KAP
I.2586	MUELLE S.CREMA BAR KAP	BAR KAP S.CREAM SPRING
I.2587	VALVULA S.CREMA KAP	KAP S.CREAM VALVE
I-2623	CACILLO POD PROF.	LADLE POP PROF.
I.2669	CACILLO 1C SC PROF	FILTER 1C SC PROF.
I.2670	CACILLO 2C SC PROF	FILTER 2C SC PROF.
I.2813	SALIDA CAFE KAP/BAR KAP	COFFE EXIT KAP/BAR KAP
I.2958	ARANDELA APOYO	WASHER
I.3807	ESPARRAGO ALLEN DIN 914 INOX M4x4	SOCKET SCREW DIN914 M4x4 INOX
I-3879	JUNTA PLANA PORTA CAPSULAS 36.5x50x2	SILICONE WASHER
I.3910	CUERPO PORTAFILTRO CAPS. FAP BARISTA-BAR-STEEL 016	FILTERHOLDER CAPS. FAP BARISTA-BAR-STEEL 016
I-4343	MANGO PORTA MADERA BARISTA / BIG DREAM PLUS	SET HANDLE WOOD BARISTA / BD PLUS
I-4659	MANGO PORTA BARISTA / BD PLUS ARCE	SET HANDLE MAPLE DREAM MAPLE
I-4684	PORTAFILTRO SIN FONDO BARISTA T	BT BOTTOMLESS FILTERHOLDER
PM.278	PORTAFILTRO COMPLETO CAPSULA 2016	COMPLETE CAPSULE FILTERHOLDER 2016
PM.279	PORTAFILTRO BARISTA SIN FONDO	BOTTOMLESS FILTERHOLDER
PM.444	PORTAFILTRO BARISTA T SIN FONDO	BT CMLPT. BOTTOMLESS F.HOLDER
PM.445	PORTAFILTRO BARISTA T SIN FONDO ARCE	BT CMLPT. BOTTOMLESS F.H. MAPLE
PM.446	PORTAFILTRO BARISTA T SIN FONDO MADERA	BT CMLPT BOTTOMLESS F.H. WOOD
PM.447	CJTO PORTAFILTRO 1 CAFE BAR/BARISTA T	1 COFFEE BAR/BARISTA T FILTERHOLDER
PM.448	PORTA COMPLETO SIN FONDO BD SPECIALTY	BOTTOMLESS BD SPECIALTY FILTER
PM.449	PORTAFILTRO MADERA 1 CAFE BT COMPLETO	1 COFFEE BT FILTERHOLDER WOOD
PM.452	PORTAFILTRO 1 CAFE BT COMPLETO ARCE	1 COFFEE BT FILTERHOLDER MAPLE
PM.450	PORTAFILTRO 2 CAFES BT COMPLETO MADERA	2 COFFEES BT FILTERHOLDER WOOD
PM.453	PORTAFILTRO 2 CAFES BT COMPLETO ARCE	2 COFFEES BT FILTERHOLDER MAPLE

1 cup coffee			2 cup coffee		
Black	Wood (Walnut)	Wood (Maple)	Black	Wood (Walnut)	Wood (Maple)
PM.92 (-04/2019)	PM.260 (-04/2019)	PM.436 (-04/2019)	PM.91 (-04/2019)	PM.309 (-04/2019)	PM.437 (-04/2019)
PM.447 (+04/2019)	PM.449 (+04/2019)	PM.452 (+04/2019)	PM.448 (+04/2019)	PM.450 (+04/2019)	PM.453 (+04/2019)
Bottomless					
Black	Wood (Walnut)	Wood (Maple)			
PM.279 (-04/2019)	PM.320 (-04/2019)	PM.432 (-04/2019)			
PM.444 (+04/2019)	PM.446 (+04/2019)	PM.445 (+04/2019)			



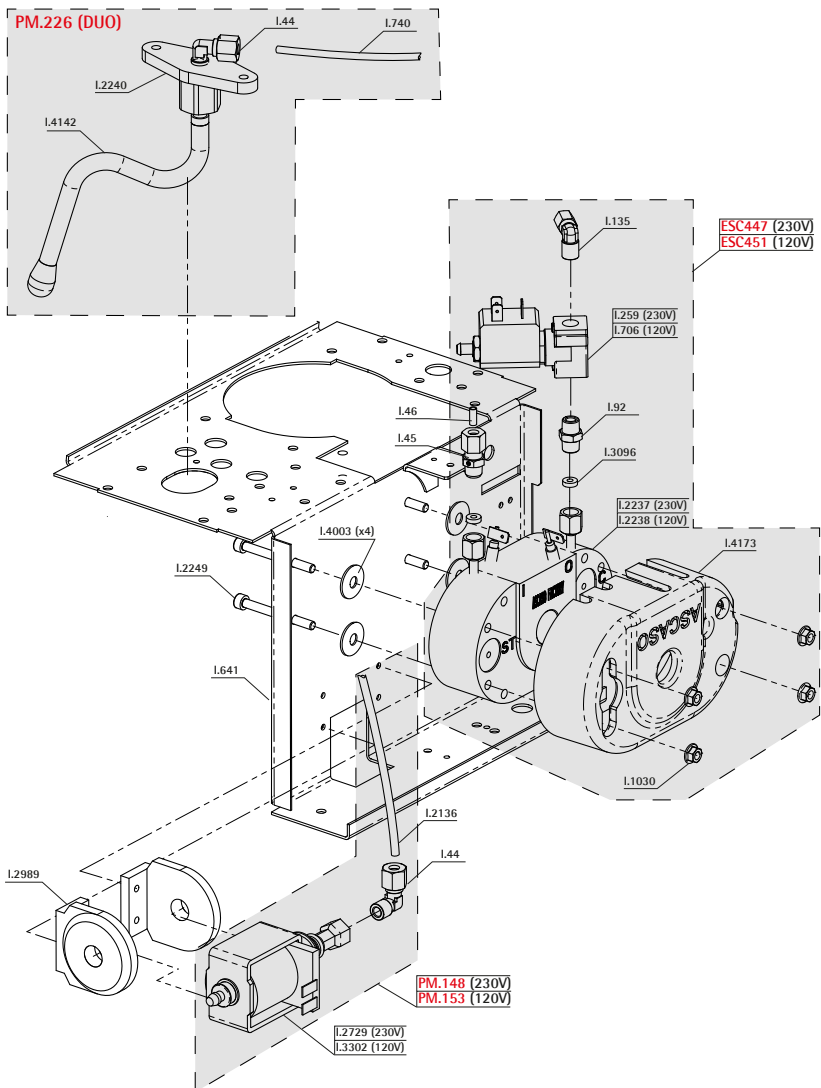
**Steel**  
**Common elements**





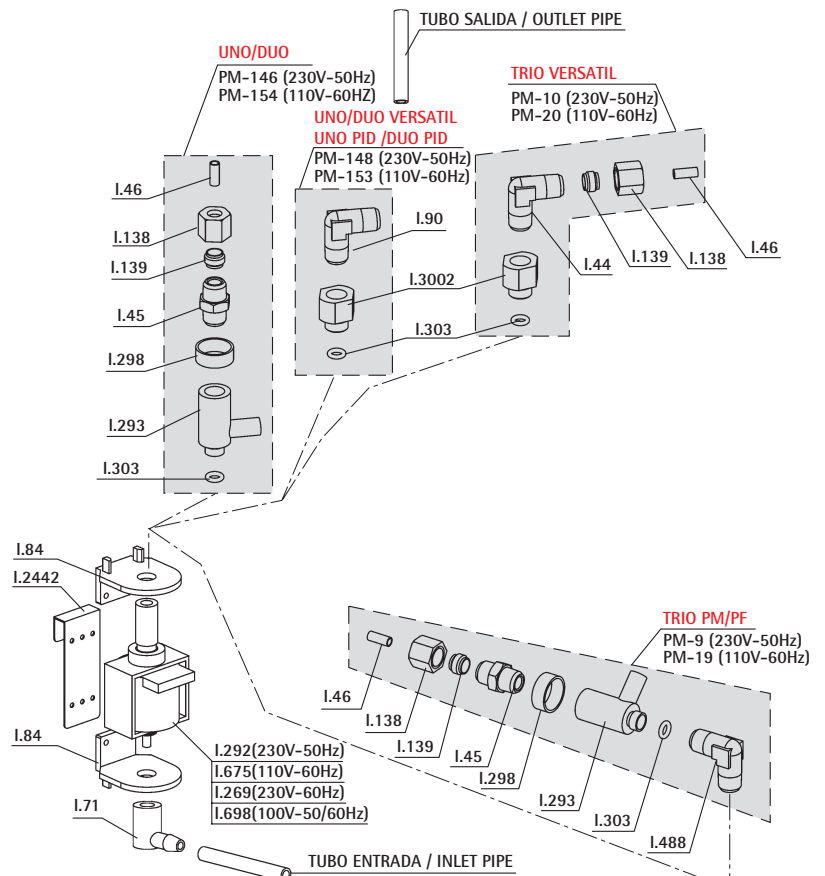
REF.	DESCRIPCIÓN	DESCRIPTION
ESC.34	GRUPO THERM. VAPOR TRIO PROF. 230V	GROUP 230V THERM. STEAM TRIO PROF
ESC.52	GRUPO THERM. VAPOR 230V	GROUP 230V THERM. STEAM
ESC134	GRUPO THERM. VAPOR TRIO PROF. 120V	GROUP 120V THERM. STEAM TRIO PROF
ESC152	GRUPO THERM. VAPOR 120V	GROUP 120V THERM. STEAM
I...31	TUERCA M5	NUT
I...36	TAPA INTERCAMBIADOR ALUMINIO	ALUMINIUM EXCHANGER LID
I...44	RACORD CODO	RL BOIX FITTING
I...46	REFUERZO TUBO	PIPE REINFORCEMET
I...84	SOPORTE BOMBA 90°	PUMP SUPPORT
I...90	RACOR CODO MACHO 1/8 LATON	FITTING
I..138	TUERCA BICONO	NUT
I..139	BICONO DE 6	BICONE
I..157	BRIDA FIJACION FUSIBLE/TERMOMETRO	SPRING
I..259	ELECTROV. 3 VIAS PASO 1.2 230V 1/8-1/8 0-15BAR	3 WAY SOLENOID
I..291	TORNILLO FIJACION INTERC.VAPOR	SCREW ALLEN M5X30
I..333	PIPETA 90°	RUBBER FITTING
I..356	TORNILLO ALLEN M5x15 INOX	ALLEN SCREW
I..364	C.INTER.LATON+RESIST.220V	220V RES+BRASS THERM BODY
I..396	ARANDELA DENTADA M5	WASHER
I..469	BOMBA NME4RF 230V/50Hz	STEAM PUMP NME4RF
I..477	TUERCA CIEGA M5 INOX	M5 INOX BLIND NUT
I..478	PROLONGACION INTERCAM.VAPOR	PROLONGATION
I..479	BOMBA NME 230/240 V-60Hz	230/240 V-60Hz USA NME PUMP
I..485	TUERCA FIJACION NIQUEL QUIMICO	NUT
I..488	RACOR CODO 1/8 M-H	1/8 M-H ELBOW FITTING
I..494	BOMBA NME4RF 120V	120V NME4RF PUMP
I..543	TERMOSTATO 165° CERAMICO	165° CERAMIC THERMOSTAT
I..545	TERMOSTATO 145° CERAMICO	145° CERAMIC THERMOSTAT
I..585	SOPORTE GRUPO VAPOR	STEAM GROUP SUPPORT
I..706	ELECTROV. 3 VIAS PASO 1.5 120V 1/8-1/8 0-15BAR	120V 3 WAYS SOLENOID
I..728	TUBO TEFLON 4x6 (90 mm)	4x6 (90 mm) TEFLON PIPE
I..732	TUBO TEFLON 4x6 (130mm)	4x6 (130mm) TEFLON PIPE
I..743	C.INT.LATON+RESIST. 700W/120V	700W/120V BRASS THERMOBLOCK
I.1086	TUBO SILICONA 5X8 (150mm)	SILICONE PIPE 5X8 (150mm)
I.1138	TORNILLO DIN 7985 M5x15 INOX	SCREW DIN 7985 M5x15 INOX
I.1183	ARANDELA GRIFO AGUA	WATER TAP WASHER
I.1184	MUELLE GRIFO SALIDA VAPOR-AGUA	STEAM - WATER OUTLET TAP SPRING
I.1185	GUIA MUELLE GRIFO AGUA	SPRING GUIDE WATER TAP
I.2109	TUBO SILICONA 5X8 (120mm)	SILICONE PIPE 5X8 (120mm)
I.2240	SOPORTE TUBO VAPOR MD STEEL	STEEL MD STEAM PIPE SUPPORT
I.2282	PROTECTOR TUBO VAPOR BARISTA	STEAM PIPE PROTECTOR BARISTA
I.2312	SALIDA TUBO VAPOR 1 AGUJERO STEEL PROF	STEAM PIPE OUTLET
I.2316	TUBO VAPOR MD STEEL UNO/DUO PROF	PIPE
PM226	CJTO LANZA VAPOR TRIO/DUO PROF 2015	ASSY. HEAT PIPE TRIO/DUO PROF 2015

Grupo vapor DUO / DUO PID ■ DUO / DUO PID Steam Group



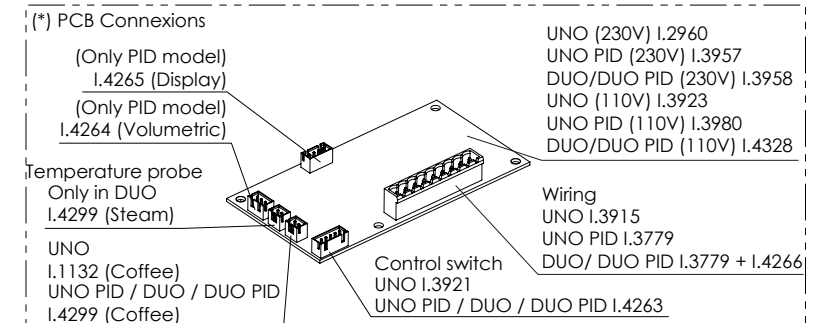
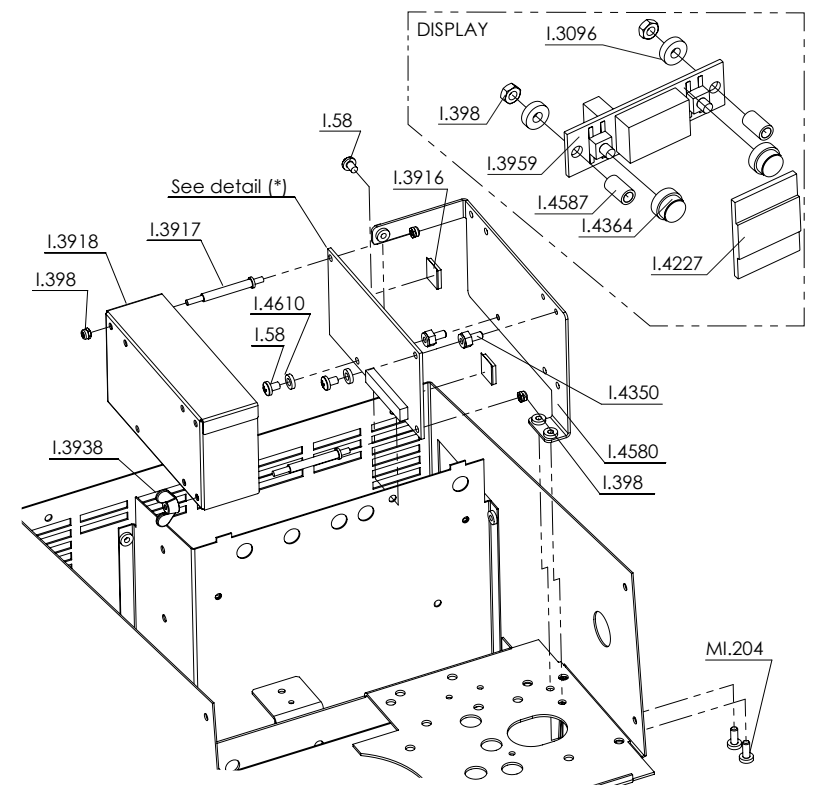
REF.	DESCRIPCIÓN	DESCRIPTION
ESC447	GRUPO INTER. INOX VAPOR DUO PID 230V	GROUP INTER. INOX STEAM DUO PID 230V
ESC451	GRUPO INTER. INOX VAPOR DUO PID 110V	GROUP INTER. INOX STEAM DUO PID 110V
I...44	RACORD CODO	RL BOIX FITTING
I...45	RACOR RECTO	STRAIGHT FITTING
I...46	REFUERZO TUBO	PIPE REINFORCEMET
I...92	RACOR 1/8"	FITTING MALE
I..135	RACOR CODO 13280 4 1/8	FITTING
I..259	ELECTROV. 3 VIAS PASO 1.2 230V 1/8-1/8	230V 3 WAY SOLENOID
I..641	BASE MECANISMOS UNO DUO	DUO PROF.MECHANISME BASE
I..706	ELECTROV. 3 VIAS PASO 1.5 120V 1/8-1/8	120V 3 WAYS SOLENOID
I...740	TUBO TEFLON 4X6 (80MM)	TEFLON PIPE 4X6 (80MM)
I.1030	ELECTROV. GRUPO PROF. C 230V NSF	GROUP PROF. SOLENOID 230V
I.2136	TUBO TEFLON 4x6 (220mm)	TEFLON PIPE 4X6 (220MM)
I.2237	CJTO INTERCAMBIADOR INOX. 230V	THERMOBLOCK INOX. 230V
I.2238	WHOLE THERMOBLOCK INOX. 1000W 120V	WHOLE THERMOBLOCK INOX. 1000W 120V
I.2240	SOPORTE TUBO VAPOR MD STEEL	STEEL MD STEAM PIPE SUPPORT
I.2249	TORNILLO ALLEN 5x50mm DIN912 INOX	INOX DIN912 M5x50 SCREW
I.2729	BOMBA CP SMART 20bar 230-240V 50W	PUMP CP SMART 20bar 230-240V 50W
I.2989	SILENT BLOCK BOMBA	PUMP SILENT BLOCK
I.3096	JUNTA INTERCAMBIADOR	HEAT EXCHANGER GASKET
I.3302	BOMBA CP SMART 20bar 120V	PUMP CP SMART 20bar 120V
I.4003	JUNTA CIERRE TUBO E/R G. BARISTA PRO	CLOSED GASKET PIPE E/R G.BARISTA PRO
I.4142	TUBO VAPOR MD STEEL UNO/DUO PROF PTFE	UNO/DUO PROF PIPE PTFE
I.4173	FUNDA TERMICA INTECAMBIADOR INOX.	THERMAL COVER
PM.148	CJTO BOMBA UNO/DUO PROF/TRONIC 230V	W.PUMP UNO/DUO PROF/TRONIC 230V
PM.153	CJTO BOMBA UNO/DUO PROF/TRONIC 110V	W.PUMP UNO/DUO PROF/TRONIC 110V
PM.226	CJTO LANZA VAPOR TRIO/DUO PROF 2015	ASSY. HEAT PIPE TRIO/DUO PROF 2015

REF.	DESCRIPCIÓN	DESCRIPTION
I...44	RACORD CODO	RL BOIX FITTING
I...45	RACOR RECTO	STRAIGHT FITTING
I...46	REFUERZO TUBO	PIPE REINFORCEMET
I...71	PIPETA ASPIRACION	90° FITTING
I...84	SOPORTE BOMBA 90°	PUMP SUPPORT
I...90	RACOR CODO MACHO 1/8 LATON	FITTING
I.138	TUERCA BICONO	NUT
I.139	BICONO DE 6	BICONE
I.269	BOMBA 230/240V 60Hz	230V 60Hz PUMP
I.292	BOMBA 230/240V 50Hz	230V 50Hz PUMP
I.293	VALVULA S2	S2 VALVE
I.298	CASQUILLO REFUERZO S-2	S-2 RING REFORCEMET
I.303	TORICA S-2	S-2 RING
I.488	RACOR CODO 1/8 M-H	1/8 M-H ELBOW FITTING
I.675	BOMBA 110/120V 60 Hz	110V/120 60Hz PUMP
I.698	BOMBA JAPON 100V 50/60 Hz	100V 50/60HzPUMP
I.732	TUBO TEFLON 4x6 (130mm)	4x6 (130mm) TEFLON PIPE
I.734	TUBO TEFLON 4x6 (145mm)	4x6 (145mm) TEFLON PIPE
I.739	TUBO SILICONA 5X8 (600mm)	SILICONE PIPE 5X8 (600mm)
I.1086	TUBO SILICONA 5X8 (150mm)	SILICONE PIPE 5X8 (150mm)
I.1080	TUBO SILICONA 5X8 (500mm)	SILICONE PIPE 5X8 (500mm)
I.2107	TUBO SILICONA 5X8 (400mm)	SILICONE PIPE 5X8 (400mm)
I.2109	TUBO SILICONA 5X8 (120mm)	SILICONE PIPE 5X8 (120mm)
I.2442	SOPORTE ANTIVIBRACION BOMBA	PUMP SUPPORT
I.2826	TUBO FLEXIBLE 250mm 1/8"Hx1/8"H	FLEXIBLE 250mm
I.3002	RACOR BOMBA	PUMP FITTING
PM...9	CJTO BOMBA TRIO PM/PF/CAPSULA 230V	220V TRIO PM/PF/CAPSULE PUMP WHOLE
PM...10	CJTO BOMBA TRIO PROF/TRONIC 220V	220V TRIO PROF/TRONIC PUMP WHOLE
PM...19	CJTO BOMBA TRIO PM/PF/CAPSULA 110V	110V TRIO PM/PF/CAPSULE PUMP WHOLE
PM...20	CJTO BOMBA TRIO PROF/TRONIC 110V	110V TRIO PROF/TRONIC PUMP WHOLE
PM.146	CJTO BOMBA UNO/DUO PM/PF/CAPSULA 230V	W.PUMP UNO/DUO PM/PF/CAPSULE 230V
PM.148	CJTO BOMBA UNO/DUO PROF/TRONIC 230V	W.PUMP UNO/DUO PROF/TRONIC 230V
PM.153	CJTO BOMBA UNO/DUO PROF/TRONIC 110V	W.PUMP UNO/DUO PROF/TRONIC 110V
PM.154	CJTO BOMBA UNO/DUO PM/PF/CAPSULA 110V	W.PUMP UNO/DUO PM/PF/CAPSULE 110V
PM.156	CJTO BOMBA UNO/DUO PF TRONIC 110V	WHOLE PUMP UNO/DUO PF TRONIC 110V
PM.157	CJTO BOMBA DUO PROF TRONIC 110V	WHOLE PUMP DUO PROF TRONIC 110V

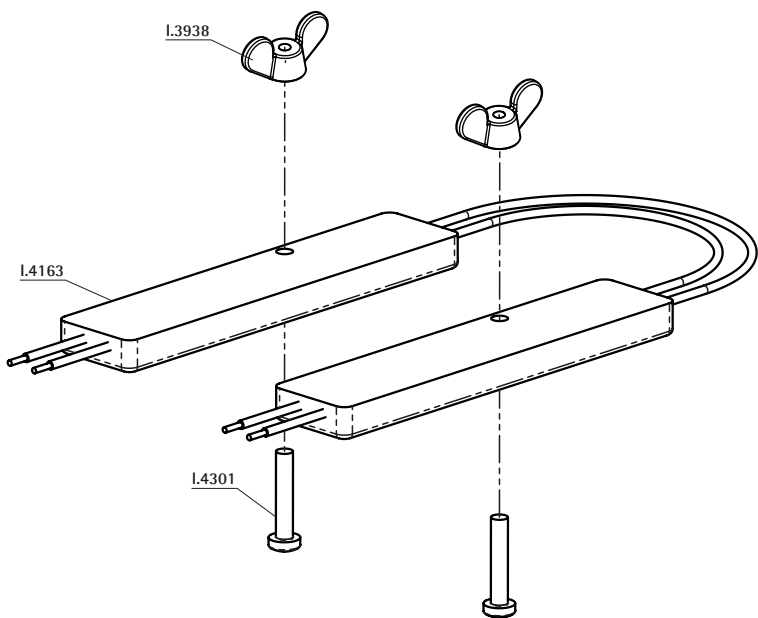


MODEL	230V-50Hz	110V-60Hz	TUBO ENTRADA / INLET PIPE	TUBO SALIDA / OUTLET PIPE
UNO PF	PM.146	PM.154	I.739	I.734
UNO VERSATIL	PM.148	PM.153	I.739	I.2826
DUO	PM.146	PM.154	I.1086	I.734
DUO VERSATIL	PM.148	PM.153	I.2109	I.2826
TRIO PF	PM.9	PM.19	I.1086 RIGHT/I.1080 LEFT	I.734 RIGHT/I.734 LEFT
TRIO VERSATIL	PM.10	PM.20	I.2109 RIGHT/I.1080 LEFT	I.734 RIGHT/I.732 LEFT
UNO PID / DUO PID	PM.148	PM.153	I.2107	I.2826

REF.	DESCRIPCIÓN	DESCRIPTION
I...58	TORNILLO BRIDA FUSIBLE INOX	SCREW
I.398	TORNILLO INOX APRIETE PF	TUERCA AUTOBLOCANTE M3 INOX
I.1132	SONDA TEMPERATURA NTC MF58	NTC TEMPERATURE PROBE MF58
I.2960	CIRCUITO MULTIFUNCION	MULTIFUNCTION CIRCUIT
I.3030	FJACION CIRCUITO TERMOSTATO ELECTR. BARKAP	ELECT. THERM. CIRCUIT FIXATION BAR KAP.
I.3096	JUNTA INTERCAMBIADOR	HEAT EXCHANGER GASKET
I.3779	CABLEADO GRUPO UNO PROF PID 2017	WIRING GROUP UNO PROF PID 2017
I.3915	CABLEADO GRUPO UNO PROF 2016 C.ELECT.	GROUP WIRING UNO PROF 2016 ELECT. C.
I.3916	APOYO CIRCUITO ELECTRICO STEEL	ELECTRONIC CIRCUIT SUPPORT STEEL
I.3917	SEPARADOR TAPA CIRCUITO ELECTR. STEEL	ELECTRONIC CIRCUIT SUPPORT STEEL
I.3918	TAPA CIRCUITO TERMOSTATO ELECT. STEEL	ELECT. THERM. CIRCUIT COVER STEEL
I.3921	CABLEADO BOTONERA UNO PROF 2016 CNTRL.ELECT.	BUTTON PANEL WIRING UNO PROF/ELEC. CNTRL.
I.3923	CIRCUITO MULTIFUNCION 110V	MULTIFUNCTION CIRCUIT 110V
I.3938	TUERCA CON ALAS M3	WING NUT M3
I.3957	CIRCUITO MULTIFUNCION+DISPLAY 230V	MULTIFUNCTION+DISPLAY PCB 230V
I.3958	CIRCUITO MULTIFUNCION DUO+DISPLAY	STEEL DUO MULTIFUNCTION+DISPLAY PCB
I.3959	DISPLAY DREAM/STEEL PID	DREAM DISPLAY MULTIFUN. CIRCUIT
I.3980	CIRCUITO MULTIFUNCION+DISPLAY 110V	MULTIFUNCTION+DISPLAY PCB 110V
I.4227	MIRILLA PANTALLA STEEL PID	SCREEN STEEL PID
I.4263	CABLE BOTONERA DREAM / STEEL PID	BUTTON PANEL WIRE DREAM / STEEL PID
I.4264	CABLE VOLUMETRICO DREAM / STEEL PID	FLOWMETER WIRE DREAM / STEEL PID
I.4265	CABLE DISPLAY DREAM / STEEL PID	WIRING DISPLAY DREAM / STEEL PID
I.4266	CABLEADO DUO PID	WIRING DUO PID
I.4299	SONDA TEMPERATURA INOX PID (M4) 2017	TEMPERATURE PROBE. INOX PID (M4) 2017
I.4328	CIRCUITO MULTIFUNCION DUO+DISPLAY 110V	DUO MULTIFUNCTION + DISPLAY PCB 110V
I.4350	SEPARADOR NYLON M4xM4 ALTURA 5MM	SPACER NYLON M4xM4 HEIGHT 5MM
I.4580	SOPORTE CIRCUITO STEEL 2019	CIRCUIT SUPPORT STEEL 2019
I.4587	CASQUILLO MONTAJE DISPLAY STEEL PID	DISPLAY MOUNTING BRACKET STEEL PID
I.4364	TECLA DISPLAY STEEL PID	DISPLAY KEY STEEL PID
I.4610	JUNTA 8,5x4,4x2 PTFE	GASKET 8,5x4,4x2 PTFE
MI.204	TORNILLO M4x10 INOX	SCREW
I.3921	CABLEADO BOTONERA UNO PROF 2016 CNTRL.ELEC.	BUTTON PANEL WIRING UNO PROF/ELEC. CNTRL.

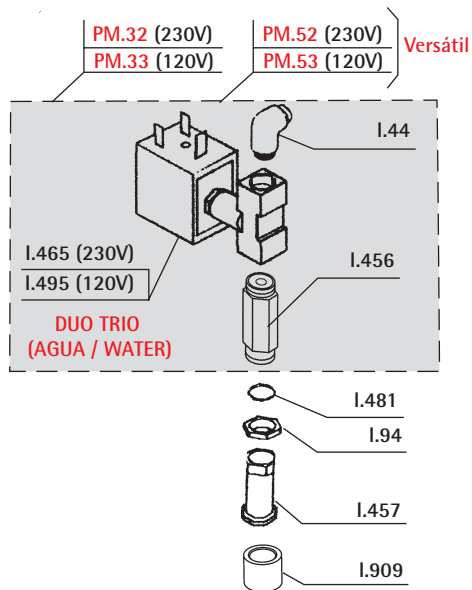


REF.	DESCRIPCIÓN	DESCRIPTION
I.3938	TUERCA CON ALAS M3	WING NUT M3
I.4301	TORNILLO SR 1972 NYLON 6.6 NATURAL	NATURAL NYLON SCREW 6. 6 SR1972
I.4163	ILUMINACION DREAM/STEEL	LIGHTING DREAM/STEEL



Salida Agua DUO/TRIO ■ Outlet Water DUO/TRIO

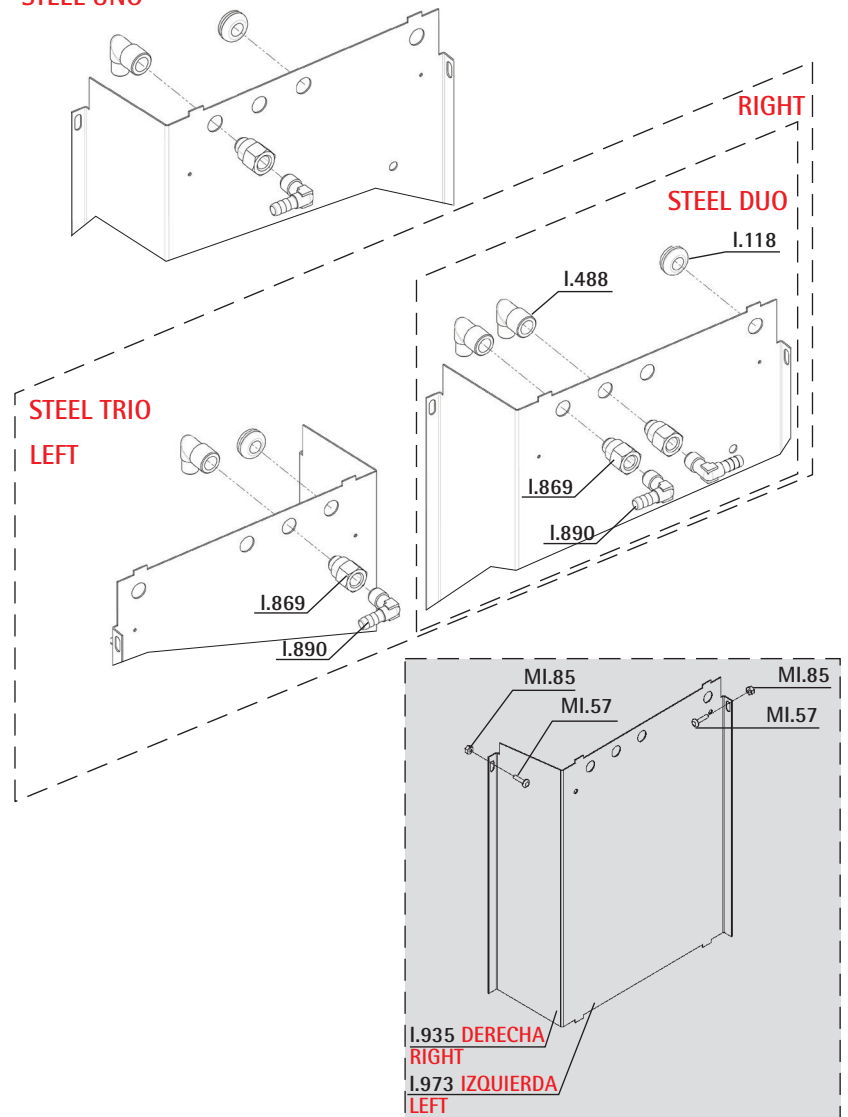
REF.	DESCRIPCIÓN	DESCRIPTION
I...44	RACOR CODO	ELBOW FITTING
I...94	TUERCA APRIETE GRIFO	TAP NUT
I..456	CONEXION SALIDA AGUA	WATER OUTLET CONNECTION
I..457	BOQUILLA SALIDA AGUA	WATER OUTLET STEM
I..465	ELECTROVALVULA 2 VIAS 1/8X1/8 230V	230V SOLENOID
I..481	ARANDELA COBRE 12X16X1.5	12X16X1.5 COPPER WASHER
I..495	ELECTROVALVULA.2 VIAS 1/8x1/8 110V	110V SOLENOID
I..909	ATOMIZADOR AGUA	WATER ATOMIZER
PM..32	CONJUNTO ELECTROVALVULA AGUA STEEL	220V STEEL WATER SOLEN. VALVE
PM..33	CONJUNTO ELECTROVALVULA AGUA STEEL	110V STEEL WATER SOLEN. VALVE
PM..52	CONJUNTO ELECTROVALVULA AGUA PROF.	230V PROF WATER SOLEN. VALVE
PM..53	CONJUNTO ELECTROVALVULA AGUA PROF.	110V PROF WATER SOLEN. VALVE



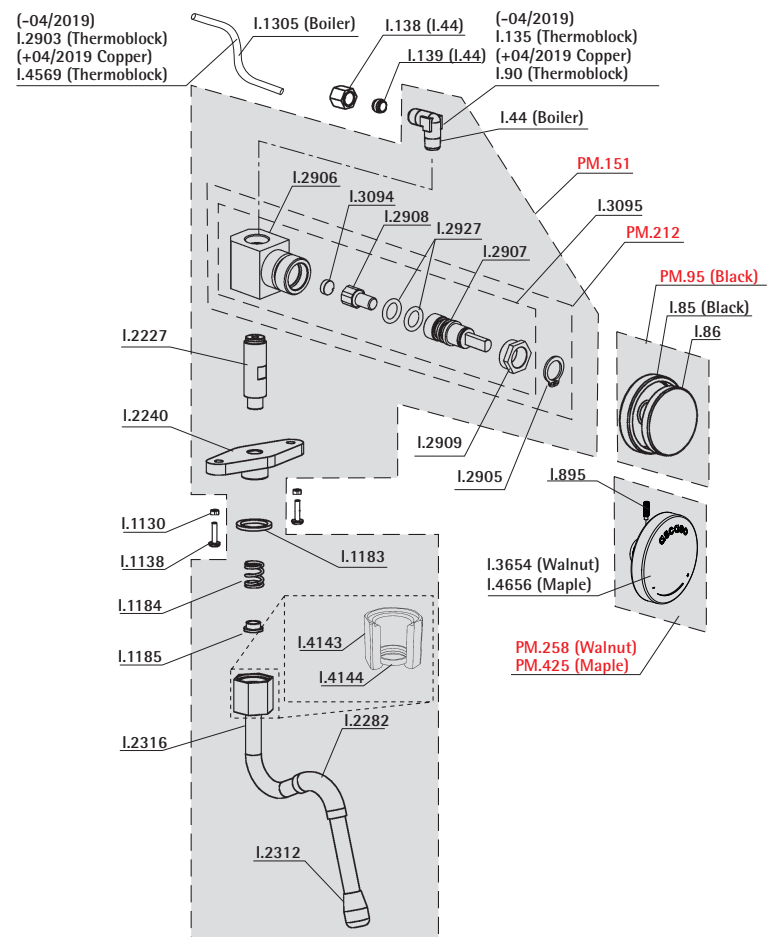


REF.	DESCRIPCIÓN	DESCRIPTION
I..118	PASACABLE	WIRINGPIN
I..198	REMACHE CORTO (3.2x6)	HEADLEM SCREW
I..488	RACOR CODO 1/8 M-H	1/8 M-H ELBOW FITTING
I..869	RACORD BASIC 2070 1/8" 1/8" 22	BASIC FITTING 2070 1/8" 1/8" 22
I..890	DESCARGA 3055 6 1/8" NIQUEL QUIMICO	OUTLET 3055 6 1/8"
I..935	COMPARTIMENTO DEPOSITO DRCH.	PLATE TANK (RIGHT)
I..973	COMPARTIMENTO DEPOSITO IZQ.	COMPARTMENT LEFT TANK
MI..57	TORNILLO M4X12	SCREW
MI..85	TUERCA DIN 934 M4 INOX	NUT

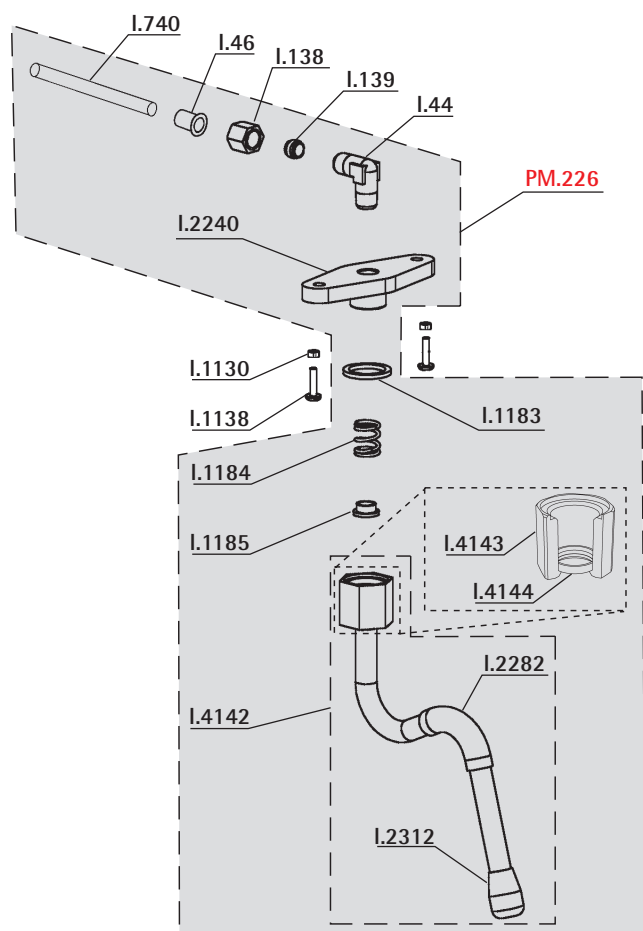
## STEEL UNO



REF.	DESCRIPCIÓN	DESCRIPTION
I...44	RACOR CODO	RL BOIX FITTING
I...85	POMO GRIFO NEGRO	HANDLE
I...86	EMBELLECEDOR POMO INOX	INOX HANDLE LID
I...90	RACOR CODO MACHO 1/8 LATON	FITTING
I..135	RACOR CODO 13280 4 1/8	FITTING
I..138	TUERCA BICONO	NUT
I..139	BICONO DE 4	BICONE
I..895	TORNILLO FIJACION EMBUDO INOX	FUNNEL FIXED SCREW
I.1130	TUERCA CON ARANDELA M5 INOX	NUT M5
I.1138	TORNILLO DIN 7985 M5x15 INOX	SCREW DIN 7985 M5x15 INOX
I.1183	ARANDELA GRIFO AGUA	WATER TAP WASHER
I.1184	MUELLE GRIFO SALIDA VAPOR-AGUA	STEAM-WATER OUTLET SPRING
I.1185	GUIA MUELLE GRIFO AGUA	SPRING GUIDE WATER TAP
I.1305	TUBO CU GRIFO UNO PROF	UNO PID CU PIPE FOR
I.2227	PROLONGACION TUBO VAPOR STEEL	STEEL CONNECT MD STEAM PIPE
I.2240	SOPORTE TUBO VAPOR MD STEEL	STEEL MD STEAM PIPE SUPPORT
I.2282	PROTECTOR TUBO VAPOR BARISTA	STEAM PIPE PROTECTOR BARISTA
I.2312	SALIDA TUBO VAPOR 1 AGUJERO	STEAM PIPE OUTLET PIPE
I.2316	TUBO VAPOR MD STEEL UNO/DUO PROF	PIPE
I.2903	TUBO TEFLON 2X4 (170mm)	TEFLON PIPE 2X4 (170mm)
I.2905	ARANDELA SEGURIDAD DIN471 E-10	LOCK RING DIN471 E-10
I.2906	CUERPO GRIFO 2014	TAP BODY 2014
I.2907	EJE GRIFO 2014	TAP SHAFT 2014
I.2908	SOPORTE TACO CIERRE GRIFO 2014	TAP CLOSING PEG SUPPORT 2014
I.2909	TUERCA CIERRE GRIFO 2014	TAP CLOSING NUT 2014
I.2927	JUNTA TORICA 8.5x2 SILICONA	O RING 8.5x2 SILICONE
I.3094	TACO CIERRE GRIFO 2014	TAP CLOSING PEG 2014
I.3095	CONJUNTO CUERPO GRIFO 2014	TAP ASSEMBLY 2014
I.3654	POMO VAPOR MADERA DREAM	STEAM TAP WOOD DREAM
I.4143	TUERCA TUBO VAPOR/AGUA PTFE	NUT STEAM/ WATER PTFE
I.4144	JUNTA TEFLON TUBO VAPOR/AGUA PTFE	TEFLON GASKET STEAM/ WATER PTFE
I.4656	POMO VAPOR MADERA ARCE DREAM	STEAM TAP MAPLE WOOD DREAM
I.4569	TUBO COBRE VAPOR STEEL UNO	COPPER PIPE STEAM STEEL UNO
PM..95	CJTO POMO NEGRO	BLACK HANDLE
PM.151	CJTO. GRIFO UNO PROF 2015	TAP ASSEMBLY 2015
PM.212	CONJUNTO CUERPO GRIFO 2014	TAP ASSEMBLY 2014
PM.258	POMO VAPOR NOGAL DREAM COMPLETO	SET STEAM TAP WALNUT DREAM
PM.425	POMO VAPOR ARCE DREAM COMPLETO	SET STEAM TAP MAPLE DREAM

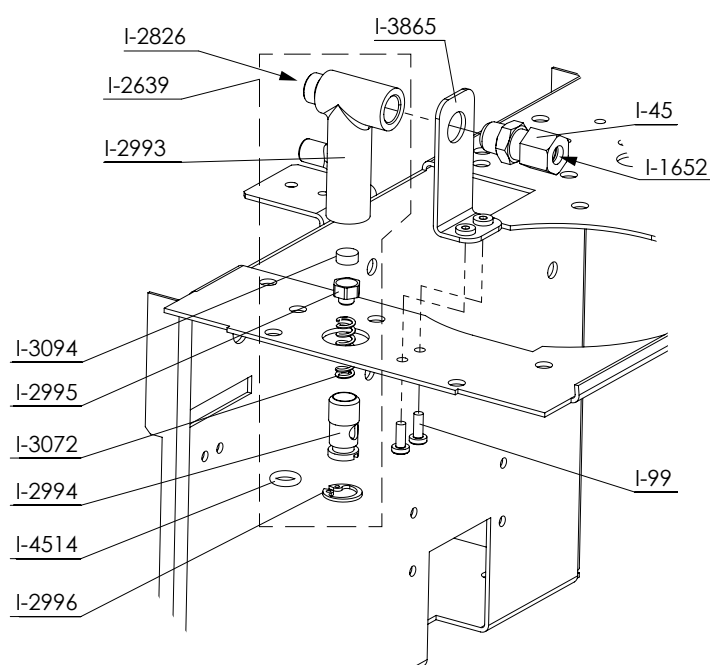






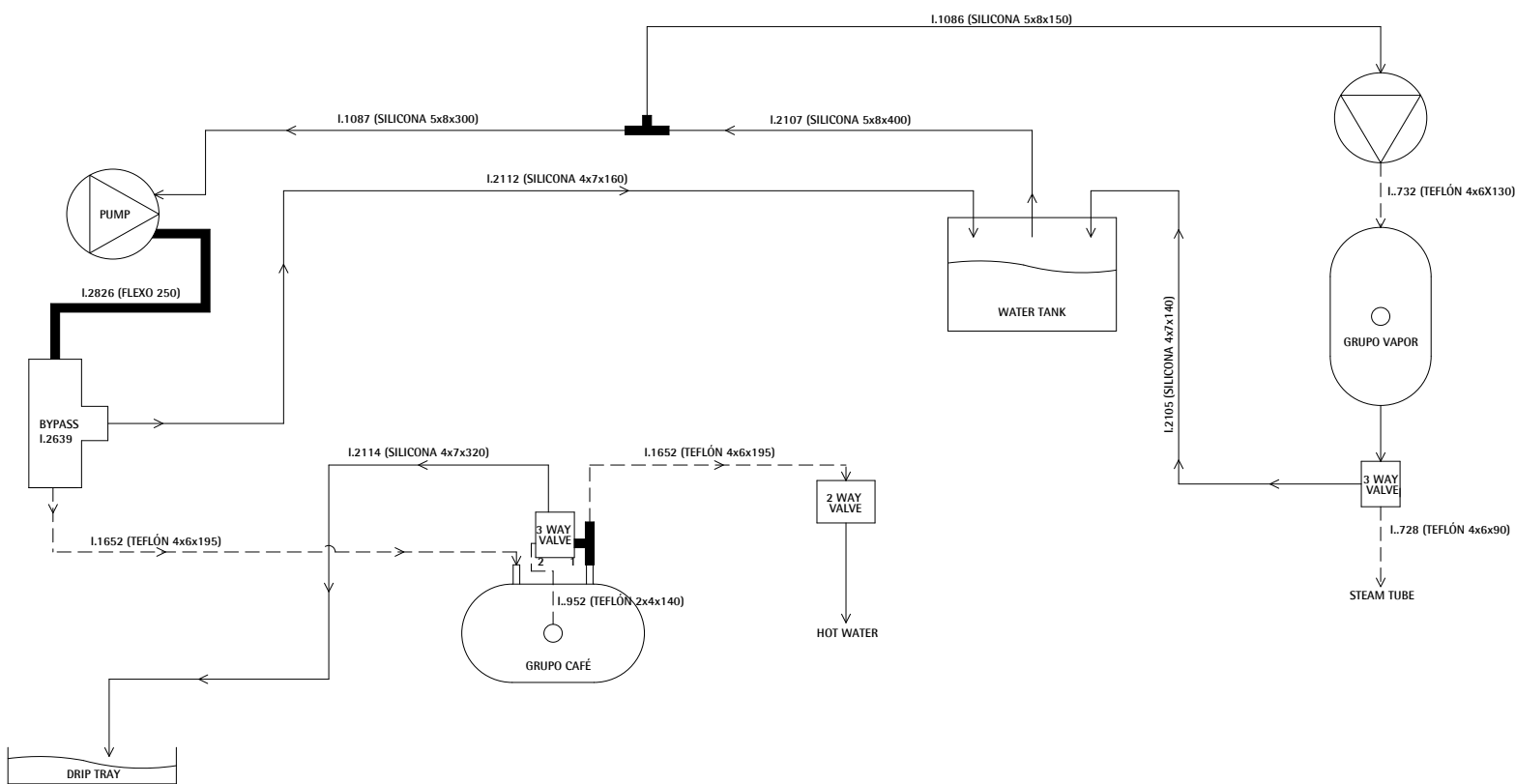
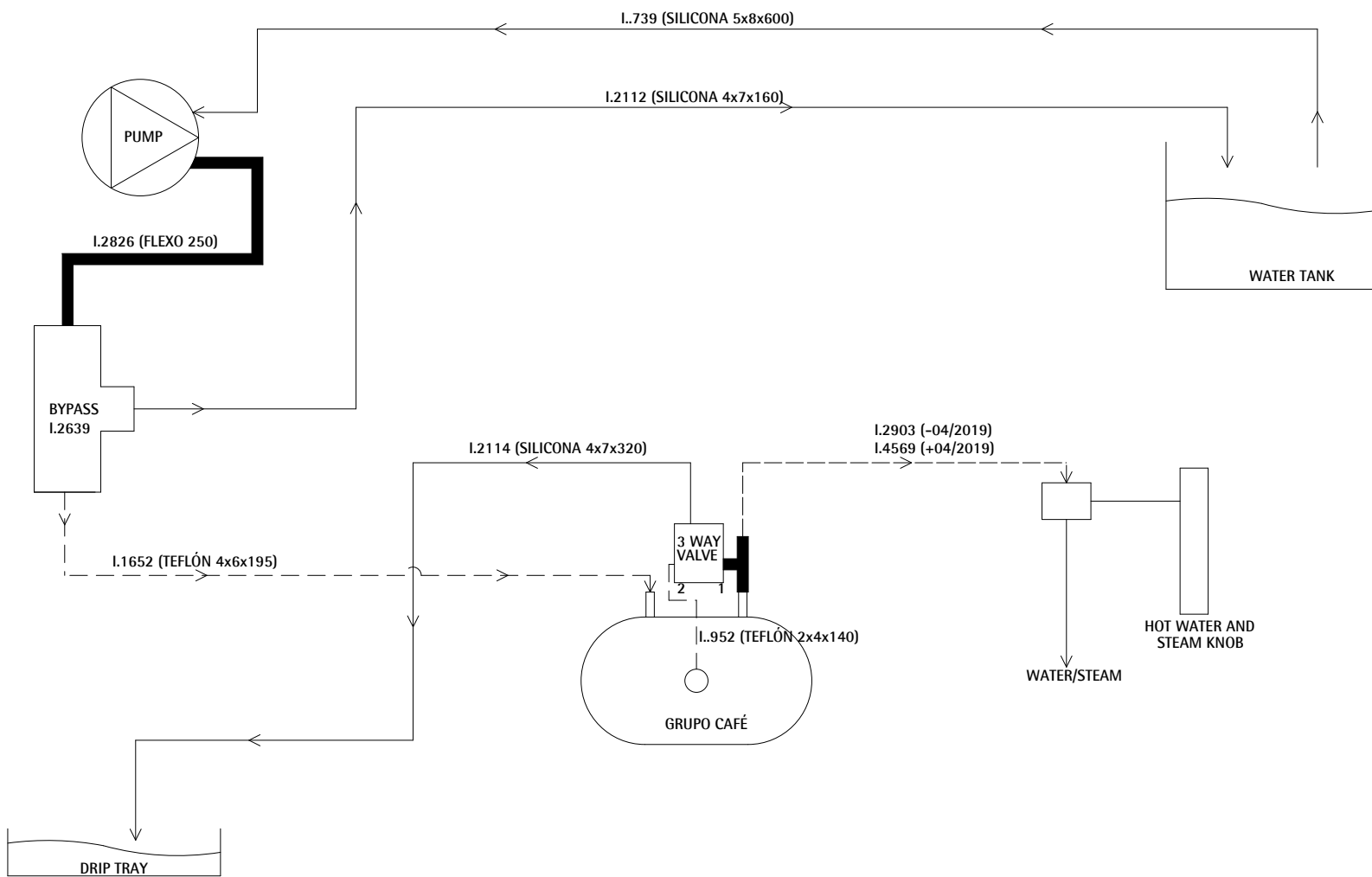
REF.	DESCRIPCIÓN	DESCRIPTION
I...44	RACORD CODO	RL BOIX FITTING
I...46	REFUERZO TUBO	PIPE REINFORCEMENT
I..138	TUERCA BICONO	NUT
I..139	BICONO DIAMETRO 6MM	BICONE
I..740	TUBO TEFLON 4X6 80MM	4X6 (80MM) TEFLON PIPE
I.1130	TUERCA CON ARANDELA M5 INOX	NUT M5
I.1138	TORNILLO DIN 7985 M5X15 INOX	SCREW DIN 7985 M5X15 INOX
I.1183	ARANDELA GRIFO AGUA	WATER TAP WASHER
I.1184	MUELLE GRIFO SALIDA VAPOR-AGUA	STEAM-WATER OUTLET SPRING
I.1185	GUIA MUELLE GRIFO AGUA	SPRING GUIDE WATER TAP
I.2240	SOPORTE TUBO VAPOR MD STEEL	STEEL MD STEAM PIPE SUPPORT
I.2282	PROTECTOR TUBO VAPOR BARISTA	STEAM PIPE PROTECTOR BARISTA
I.2312	SALIDA TUBO VAPOR 1 AGUJERO	STEAM PIPE OUTLET
I.4142	TUBO VAPOR MD STEEL UNO/DUO PROF PTFE	UNO/DUO PROF PIPE PTFE
I.4143	TUERCA TUBO VAPOR/AGUA PTFE	NUT STEAM/ WATER PTFE
I.4144	JUNTA TEFLON TUBO VAPOR/AGUA PTFE	TEFLON GASKET STEAM/ WATER PTFE
PM.226	CJTO LANZA VAPOR TRIO/DUO PROF 2015	ASSY. HEAT PIPE TRIO/DUO PROF 2015

BY-PASS ASCASO ■ BY-PASS ASCASO

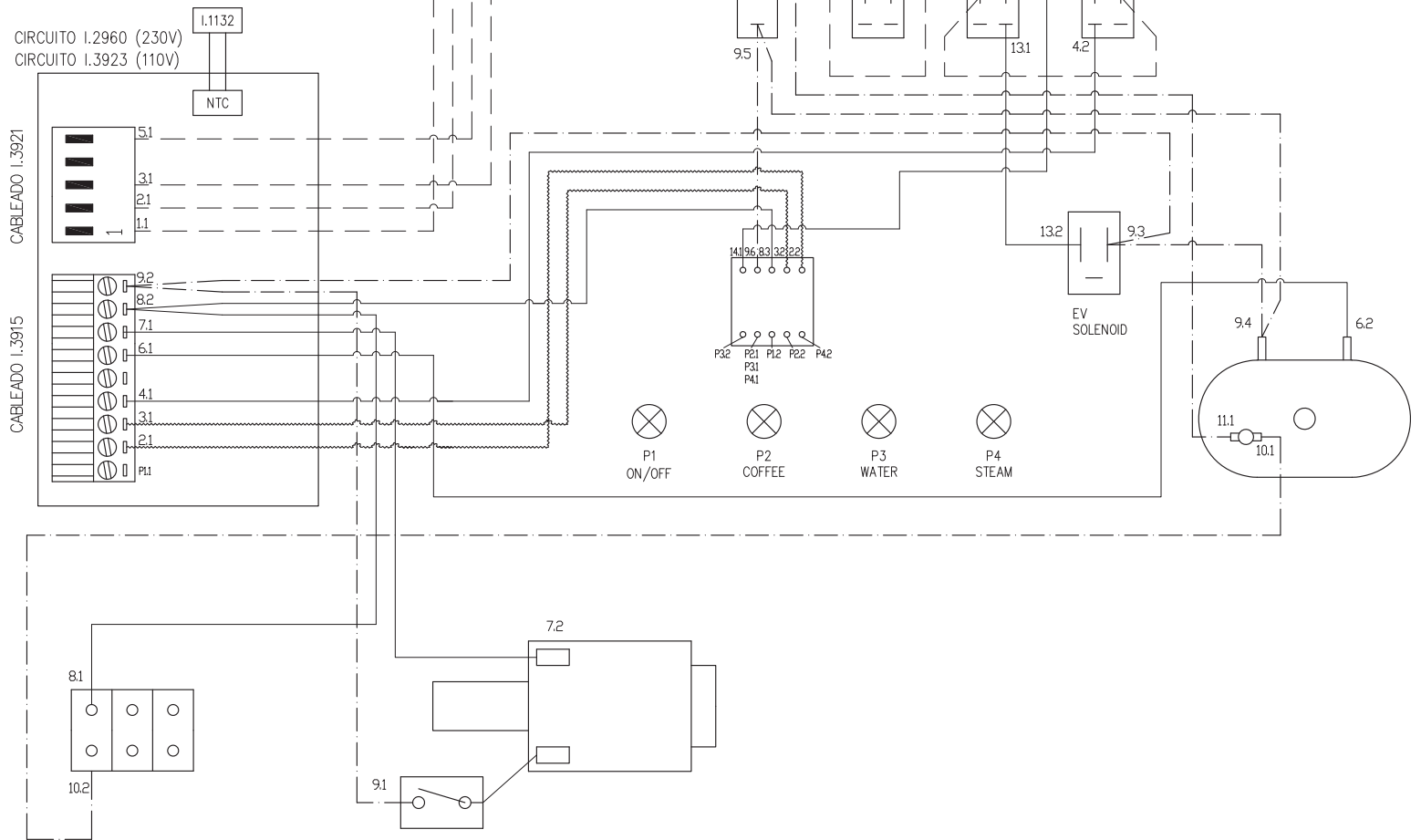


REF.	DESCRIPCIÓN	DESCRIPTION
I...45	RACOR RECTO	STRAIGHT FITTING
I...99	TORNILLO DIN 7985 M3x8 INOX A-4	SCREW DIN 7985 M3x8 A-4
I.1652	TUBO TEFLON 4X6 (195mm)	WATER INLET PTFE PIPE
I.2639	BY-PASS BODY	BY-PASS ASCASO
I.2826	TUBO FLEXIBLE 250MM 1/8"Hx1/8"H	FLEXIBLE 250MM
I.2993	CUERPO BY-PASS	BY-PASS BODY
I.2994	REGULADOR BY-PASS	BY-PASS REGULATOR
I.2995	ALOJAMIENTO JUNTA CIERRE BY-PASS	GASKET/ACCOMMODATION BYPASSLOCK
I.2996	ARANDELA SEEGER DIN472 ø12	SEEGER DIN472 ø12
I.3072	MUELLE BY-PASS ASCASO	BY-PASS ASCASO SPRING
I.3094	TACO CIERRE GRIFO 2014	TAP CLOSING PEG 2014
I.3865	SOPORTE OPV STEEL UNO/DUO	SUPPORT OPV STEEL UNO/DUO
I.4514	JUNTA TORICA 6X1.5 NBR70	O-RING 6X1.5 NBR70

**Steel  
Hidraulic scheme  
and  
Electrical scheme**



- N — AZUL (BLUE)
- R — MARRÓN ó ROJO (BROWN or RED)
- S — NEGRO (BLACK)
- T — GRIS ó BLANCO (GREY or WHITE)
- ↓ — AMARILLO/VERDE (YELLOW/GREEN)



- N — AZUL (BLUE)
- R — MARRÓN ó ROJO (BROWN or RED)
- S — NEGRO (BLACK)
- T — GRIS ó BLANCO (GREY or WHITE)
- ↓ — AMARILLO/VERDE (YELLOW/GREEN)

