

**CONTI**  
— ESPRESSO MACHINE —

**CC100**

**STANDARD  
& DISPLAY &  
DISPLAY TALL CUP**



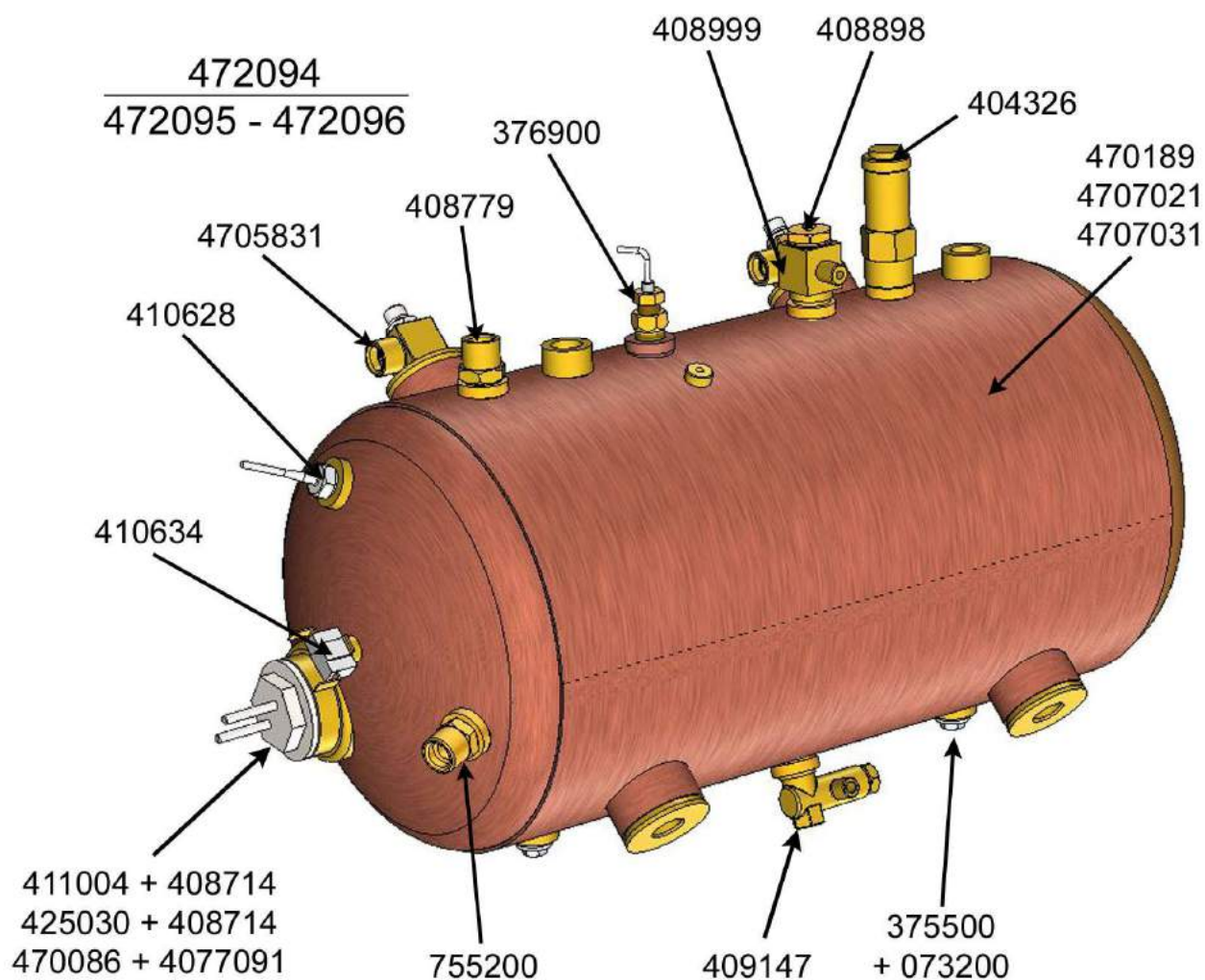
**PIECES DETACHEES  
SPARE PARTS**

**CONTI - Edition 01/2016**



<b><u>DESIGNATION</u></b>	<b><u>PAGE</u></b>
1. CHAUDIÈRE ÉQUIPÉE / BOILER ASSEMBLY _____	2
2. GROUPE / GROUP _____	4
3. TURBINE EQUIPEE / TURBINE _____	8
4. PORTE FILTRE / FILTER HOLDER _____	6
5. BLOC VIDANGE / DRAINING PIECE _____	7
6. SORTIE VAPEUR / STEAM OUTLET _____	8
7. ROBINET DE PUISAGE / TAP _____	9
8. ENTREE D'EAU / WATER INLET CONTROL _____	10
9. MOTOPOMPE / MOTOR PUMP _____	11
10. TUYAUTERIE / PIPEWORK _____	12
11. MANOMÈTRE / MANOMETER _____	14
12. ELECTRICITÉ / ELECTRICITY _____	14
13. FAISCEAUX - DIVERS / WIRE - DIVERS _____	15
14. CARROSSERIE CC100 / MAIN FRAME CC100 _____	16
15. CARROSSERIE CC100 (SUITE) / MAIN FRAME CC100 (SUITE) _____	18
16. TABLEAU EQUIPE / EQUIPPED PANEL _____	19
17. OPTION TALL CUP - DISPLAY TALL CUP _____	20
18. ACCESSOIRES / ACCESSORIES _____	21
19. OPTION _____	21
20. OPTION 110V _____	21
21. OPTION CAPPU _____	22
22. OPTION KIT SOLO _____	22
23. PIECES DETACHEES POUR L'ENTRETIEN / SPARE PARTS FOR MAINTENANCE _____	23

## 1. CHAUDIÈRE ÉQUIPÉE / BOILER ASSEMBLY



**472094 CHAUDIERE EQUIPEE 1G**  
**472095 CHAUDIERE EQUIPEE 2G**  
**472096 CHAUDIERE EQUIPEE 3G**

**BOILER ASSEMBLY 1G**  
**BOILER ASSEMBLY 2G**  
**BOILER ASSEMBLY 3G**

073200 VIS TH 6X10 AC ZN  
375500 RONDELLE Z6 INOX  
404326 SOUPAPE SECURITE 1,5 BARS - 3/8  
4077091 JT.PTFE 51,8X38,5X2,5 THERMOPL. (3G)  
408714 JT.PTFE 39,6X34,4X2,9 THERMOPL. (1/2G)  
408779 PLONGEUR EAU CHAUDE  
408898 DEPRESSEUR  
408999 COUDE 3/8M - 1/8M - 1/4F  
409147 PURGEUR  
411004 THERMOPL. 2500W (1G)  
425030 THERMOPL. 3600W. (2G)  
470086\* THERMOPL. 4700W. (3G)  
470189 CHAUDIERE SOUDEE 1G  
4705831 TUBE INJECTEUR COURT avec Té  
4707021 CHAUDIERE SOUDEE 2G  
4707031 CHAUDIERE SOUDEE 3G  
755200 MAMELON DOUBLE 3/8

SCREW 6X10  
WASHER Z6  
SAFETY VALVE 1,5 BARS - 3/8  
PTFE GASKET 51,8X38,5X2,5 (3G)  
PTFE GASKET 39,6X34,4X2,9 (1/2G)  
HOT WATER PLUNGE  
RELIEF VALVE  
ANGLE JOINT 3/8M - 1/8M - 1/4F  
DRAIN VALVE  
HEATING ELEMENT 2500W (1G)  
HEATING ELEMENT 3600W (2G)  
HEATING ELEMENT 4700W (3G)  
WELDED BOILER 1G  
SHORT INJECTOR PIPE with T-PIECE  
WELDED BOILER 2G  
WELDED BOILER 3G  
DOUBLE STUD 3/8

376900 SONDE L90  
410628 SONDE DE TEMPERATURE  
410634 THERMOSTAT SECU. 160° (KLIXON)

LEVEL SENSOR L90  
TEMPERATURE SENSOR  
SAFETY THERMOSTAT 160°(KLIXON)

**Option CC101 110V**

406921 THERMOPL. 1700W L200

HEATING ELEMENT 1700W L200

**Option CC103 triphasée**

470087\* THERMOPL. 6000W

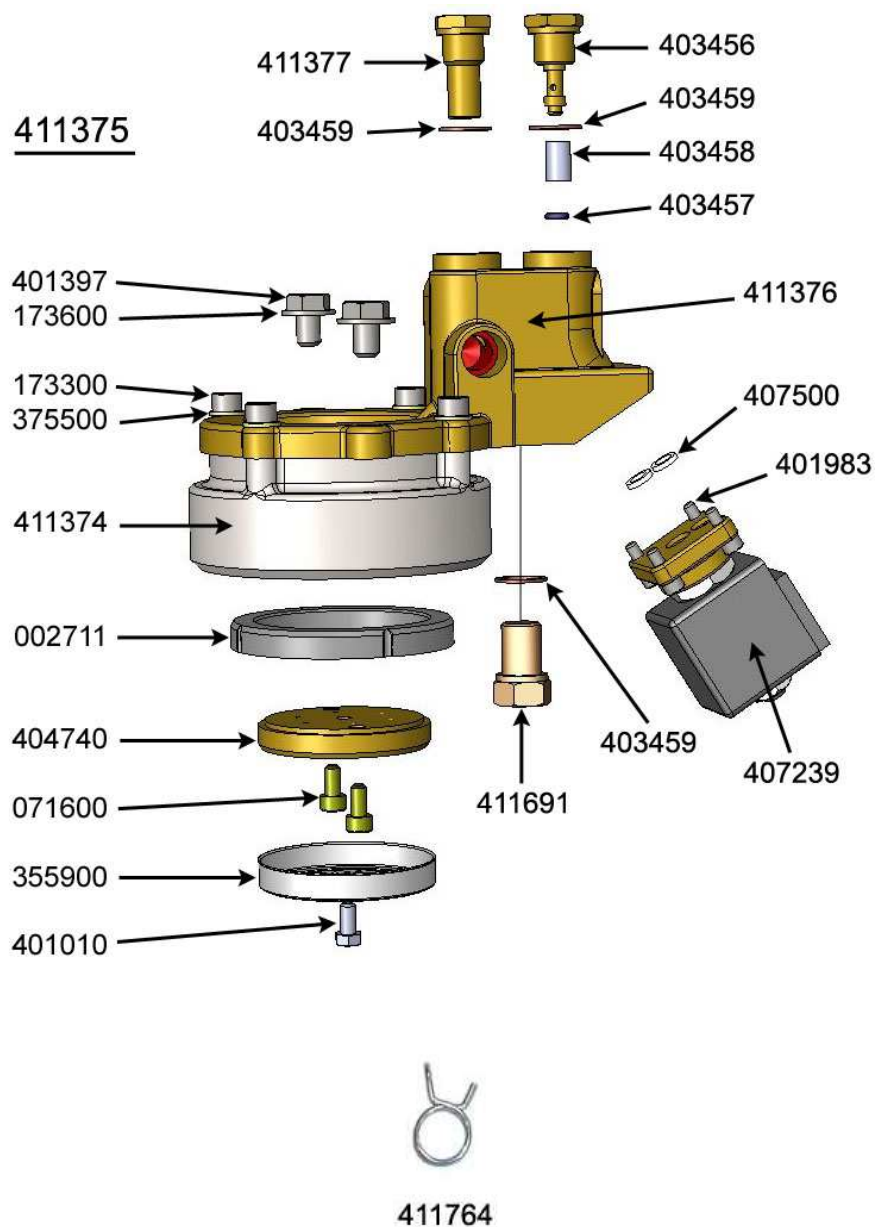
HEATING ELEMENT 6000W

\* fixé avec 3 vis

073510 VIS TH 8X25 AC ZN

SCREW 8X25

## 2. GROUPE / GROUP



**411375 GROUPE COMPLET 230V**

002711	JOINT PORTE FILTRE ép 8,3
071600	VIS CHC 5x10 Inox A2
173100	JOINT TORIQUE 68x2 NBR 70
173300	VIS CHC 6x20 AC ZN
173600	RONDELLE EVENTAIL AZL8
355900	DOUCHETTE A GRILLE
375500	RONDELLE Z6 INOX
401010	VIS TH 5x10 inox A2
401397	VIS TH 8x12 Ac Zn
401983	VIS CHC 4X12
403456	GICLEUR
403457	JOINT TORIQUE 4,2x1,9 (R.3) EPDM70
403458	FILTRE 8X13
403459	JOINT CUIVRE 13,1x17x1 REC.
404740	DIFFUSEUR 9,2 STANDARD
407239	EV. 3V rubis 220V. 50 Hz
407500	JOINT PTFE 9,2X6X1,7
411374	EMBASE DE PORTE FILTRE
411376	CORPS DE GROUPE
411377	FREINEUR HYDRAULIQUE Ø10,5
411691	BOUCHON 1/4G spécial
411764	COLLIER Ø11,6

**COMPLET GROUP 230V**

FILTER HOLDER SEAL thickness 8,3
SCREW 5x10
O'RING 68x2
SCREW 6x20
WASHER AZL8
PRINKLER
WASHER Z6
SCREW 5x10
SCREW 8x12
SCREW 4x12
SPRAY NOZZLE
O'RING 4,2x1,9
FILTER 8x13
COPPER GASKET 13,1x17x1
DIFFUSER 9,2 STANDARD
SOLENOID VALVE 200V.50Hz
PTFE GASKET 9,2X6X1,7
FILTER HOLDER SEAT
BODY UNIT
HYDRAULIC BREAKER Ø10,5
STOPPER ¼
CLIP Ø11,6

En option / In option

4113771 FREINEUR HYDRAULIQUE Ø10,6

HYDRAULIC BREAKER Ø10,6



470699 FREINEUR 2 POSITIONS

BREAKER 2 POSITIONS



## 3. PORTE FILTRE / FILTER HOLDER

ATTENTION : Les filtres ne sont pas fournis avec nos porte-filtres complets. Les commander séparément.  
WARNING : Filters are not supplied with our filter-holders. They have to be ordered separately.

4099981 P-F 1 TASSE NOIR COMPLET  
4099991 P-F 2 TASSES NOIR COMPLET

BLACK 1 CUP FILTER HOLDER ASSEM.  
BLACK 2 CUP FILTER HOLDER ASSEM.

016711 CLIPS POUR FILTRE  
411972 BOUCHON CHROME P.F.

FILTER CLIPS  
FILTER HOLDER CAP CHROMED



016780 FILTRE 2 TASSES HT.22 14g  
016840 FILTRE 1 TASSE HT.20 7g

2 CUP FILTER HT.22 14g  
1 CUP FILTER HT.20 7g



016840

016780



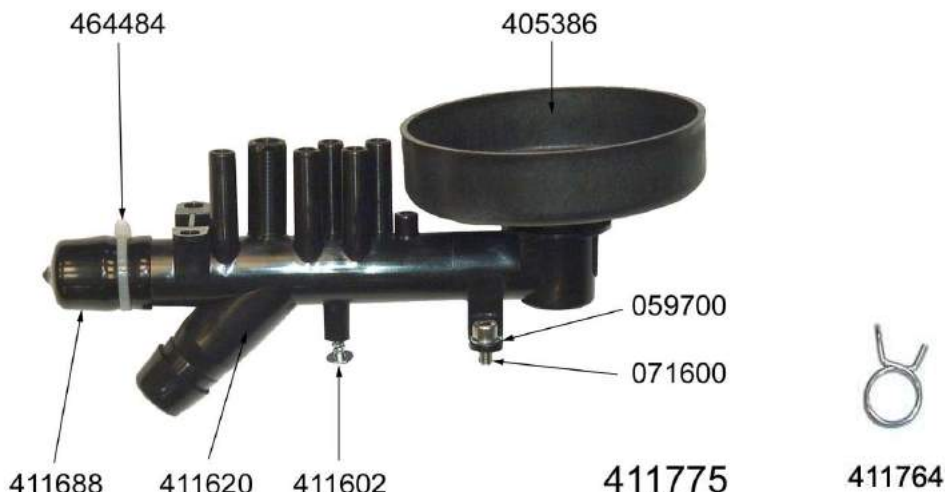
## 4. BLOC VIDANGE / DRAINING PIECE

### 411775 BLOC VIDANGE COMPLET

059700	RONDELLE ACIER Z DE 5
071600	VIS CHC 5X10 INOX A2
405386	COUPELLE RECUPERATION
411602	VIS TX 5X10
411620	COLLECTEUR VIDANGE MIXTE
411688	EMBOUIT BLOC VIDANGE
411764	COLLIER Ø11,6
464484	COLLIER 3,6X140

### DRAINING PIECE ASSEMBLY 2/3/4G

WASHER Z5
SCREW 5X10
DRIP PAN
SCREW TX 5X10
DRAIN
NOZZLE DRAIN BLOCK
CLIP Ø11,6
COLLAR 3,6X140



### 470877 BLOC ÉVACUATION 1G

### 470878 BLOC ÉVACUATION 2G

### 470879 BLOC ÉVACUATION 3G

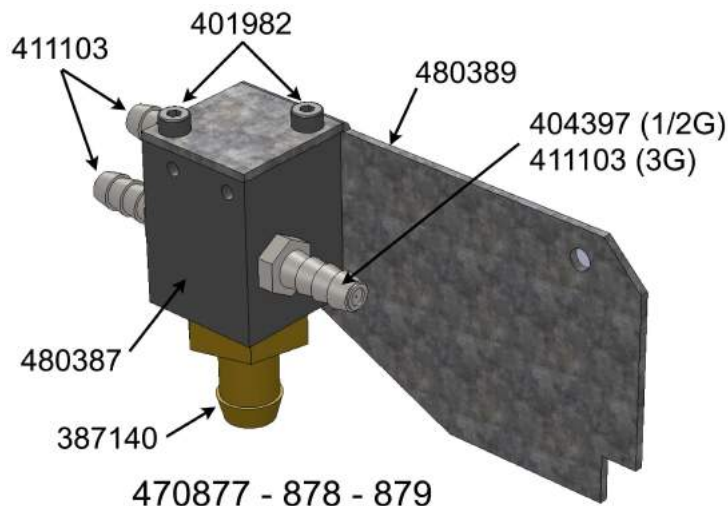
387140	EMBOUIT CANNELE 1/2 - 15
401982	VIS CHC 4X8 INOX A2
409397	BOUCHON 1/8G MALE CONIQUE
411103	DOUILLE CANNELEE 8-1/8
480387	EVACUATION
480389	SUPPORT EVACUATION KIT CC100

### DRAIN BLOCK 1G

### DRAIN BLOCK 2G

### DRAIN BLOCK 3G

GROOVED JOINT 1/2 - 15
SCREW 4X8
1/8M STOPPER
GROOVED SOCKET 8-1/8
DRAIN
DRAIN SUPPORT



## 5. TURBINE EQUIPEE / TURBINE

**403466**      **COMPTEUR VOLUMETRIQUE**  
**475136**      **TURBINE EQUIPEE TE**

**FLOW METER**  
**FLOWMETER EQUIPPED**

401982      VIS CHC 4X8 INOX  
 403466      COMPTEUR VOLUMETRIQUE  
 415165      TE 1/4M 2X1/4M NIPPLE PIPE 6/4

SCREW 4X8  
 FLOW METER  
 TE 1/4M 2X1/4M NIPPLE PIPE 6/4



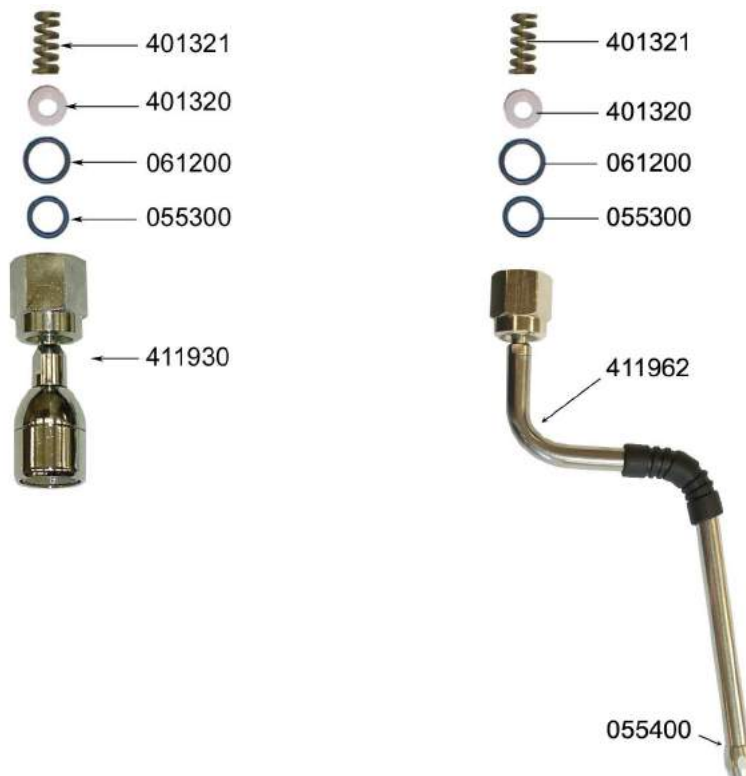
## 6. SORTIE VAPEUR / STEAM OUTLET

**411930**      **SORTIE EAU CHAUDE CPLTE**  
**411962**      **SORTIE VAPEUR ALLONGÉE CPLTE**

**COMPLETE HOT WATER OUTLET**  
**COMPLETE LONG STEAM OUTLET**

055300      JOINT TORIQUE 12,1X2,7  
 055400      JOINT TORIQUE 6X1  
 061200      JOINT TORIQUE 13,6X2,7  
 401320      RONDELLE D'APPUI  
 401321      RESSORT ROTULE

O'RING 12,1X2,7  
 O'RING 6X1  
 O'RING 13,6X2,7  
 WASHER  
 SPRING



## 7. ROBINET DE PUISAGE / TAP

**470839 ROBINET COMPLET + POIGNEE**  
**470840 ROBINET COMPLET**

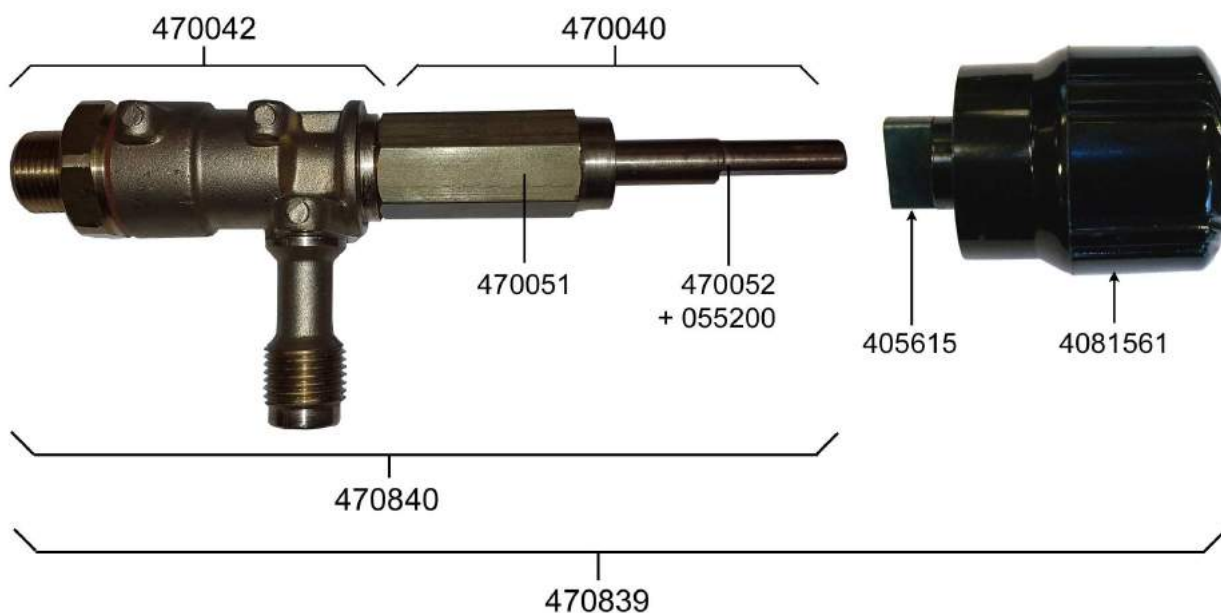
**TAP COMPLETE + HANDLE**  
**TAP COMPLETE**

**470042 ROBINET STANDARD**  
**470040 COMMANDE POIGNÉE TOURNANTE**

**TAP**  
**COMPLETE COMMAND FOR TAP HANDLE**

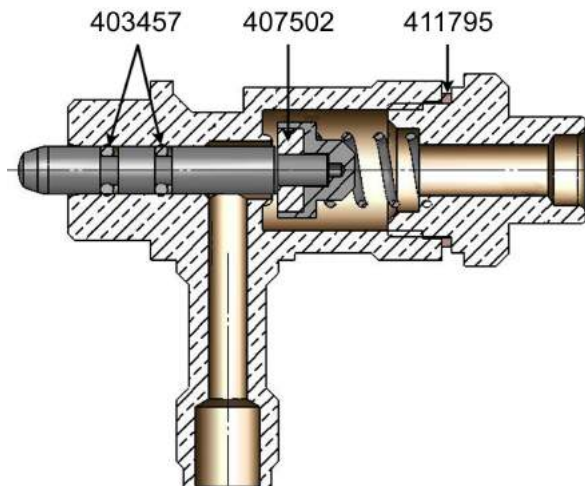
055200 JT.TR. 8,9X2,7 R.8  
 405615 CLIPS POIGNEE  
 4081561 POIGNEE ROBINET PUISAGE NOIRE  
 410150 BOUCHON NOIR  
 470051 CORPS DE COMMANDE ROB.TOURNANT  
 470052 AXE DE COMMANDE ROB.TOURNANT

O'RING 8,9X2,7  
 HANDLE CLIP  
 BLACK TAPE HANDLE  
 CAP BLACK  
 COMMAND BODY FOR TAP  
 COMMAND AXLE FOR TAP



403457 JOINT TORIQUE 4,2x1,9 (R.3) EPDM70  
 407502 CLAPET 13X5X4 EPDM80  
 411795 JOINT CUIVRE 21X26X1,5

O'RING 4,2x1,9  
 VALVA WASHER 13X5X4  
 COPPER SEAL 21X26X1,5



## 8. ENTREE D'EAU / WATER INLET CONTROL

### 470200 BLOC EE INJ + EV 2 VOIES

409397 BOUCHON 1/8G MALE  
 415615 BLOC ENTREE EAU INJECTION  
 450245 FILTRE PROTECTION EV  
 470161 EV.2V.230V 50/60 BASE  
 470199 FILTRE D'ENTREE EAU

219100 JOINT TORIQUE 8,9X1,9  
 409774 LIMITEUR 12 BARS

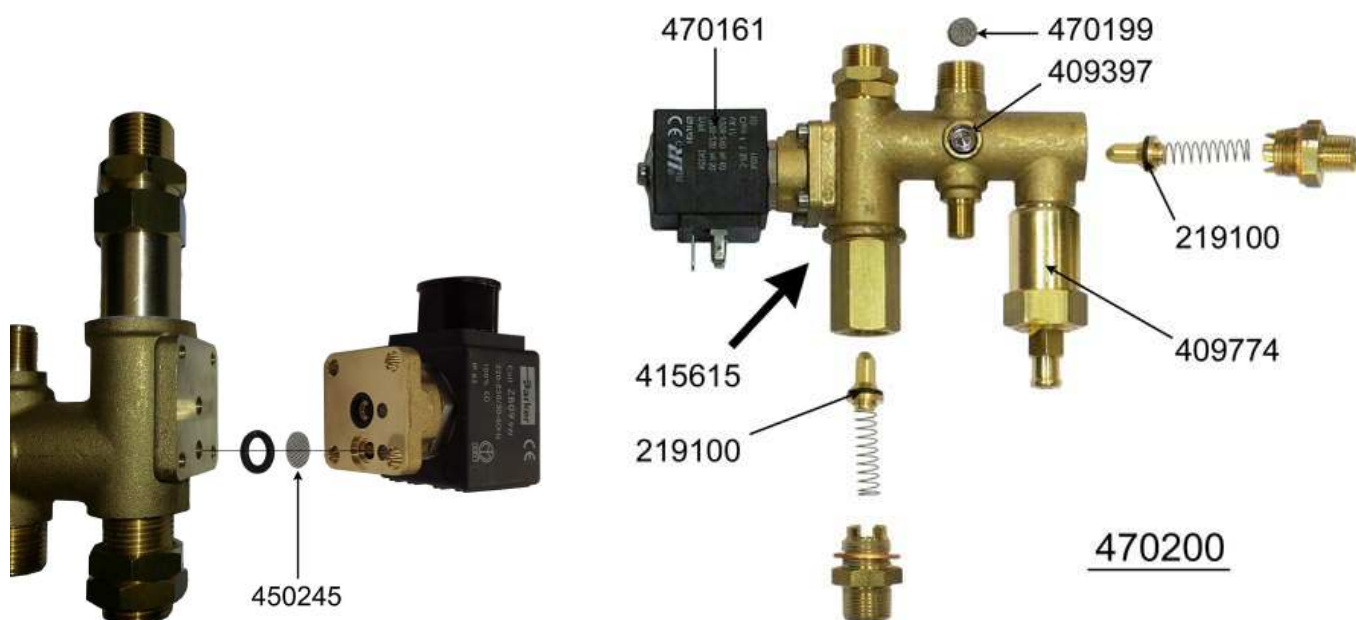
### WATER INLET CONTROL + SV 2WAYS

1/8M STOPPER  
 WATER INLET CONTROL INJECTION  
 SV PROTECTION FILTER  
 SOLENOID VALVE 2 WAY 230V 50-60Hz  
 FILTER WATER INLET

O'RING 8,9X1,9  
 12 BARS LIMITER (RELIEF VALVE)



Limiteur taré à 12 bars en usine / Relief device calibrated at 12 bars in factory.



### Option CC101 110V

470595 BLOC EE INJ + EV 2 VOIES 110V  
 470599 EV.2V.110V 50/60 BASE

WATER INLET CONTROL + SV 2WAYS  
 SOLENOID VALVE 2 WAY 110V 50-60Hz

## 9. MOTOPOMPE / MOTOR PUMP

470164 MOTOPOMPE HORIZ. CPLTE 1/2G  
470166 MOTOPOMPE HORIZ. CPLTE 3G

361700 ANNEAU DE FIXATION  
 402652 COUDE 3/8  
 4057225 POMPE B.P.& FILTRE 100L (1/2G)  
 4057226 POMPE B.P.& FILTRE 200L (3G)  
 4098331 COUDE 3/8NPTC - 3/8BSP  
 411861 FILTRE 3/8  
 470163 MOTEUR SEUL 220-230V 50/60HZ  
 470167 CONDENSATEUR 8µF  
 470890 PLOT ELASTIQUE M6  
 470894 ECROU EMBASE M6

HORIZ. MOTOR PUMP ASSEMBLY 1/2G  
HORIZ. MOTOR PUMP ASSEMBLY 3G

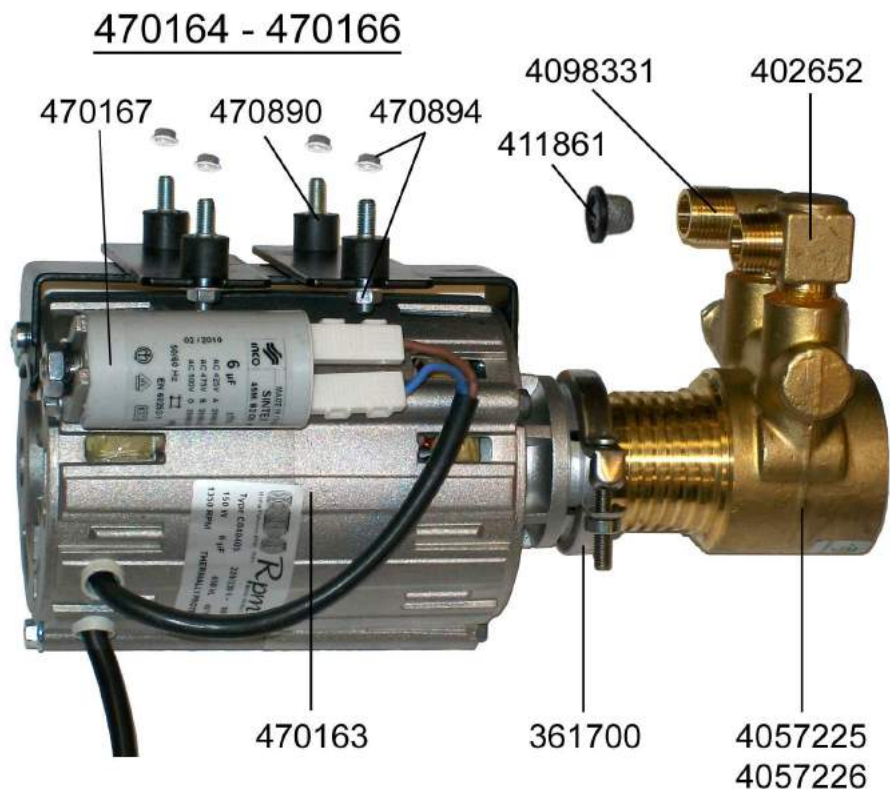
FIXING CLIP  
 ANGLE JOINT 3/8  
 PUMP B.P.& FILTER 100L (1/2G)  
 PUMP B.P.& FILTER 200L (3G)  
 ANGLE JOINT 3/8NPTC - 3/8BSP  
 FILTER 3/8  
 MOTOR UL 220-230V 50/60 HZ  
 GRINDER CAPACITOR 8µF  
 RUBBER SPACER M6  
 NUT M6

### FIXATION DES ELEMENTS

577 307750 COLLE TUBETANCHE 577

### COMPONENT STICKING

GLUE 577 WATERTIGHT TUBE



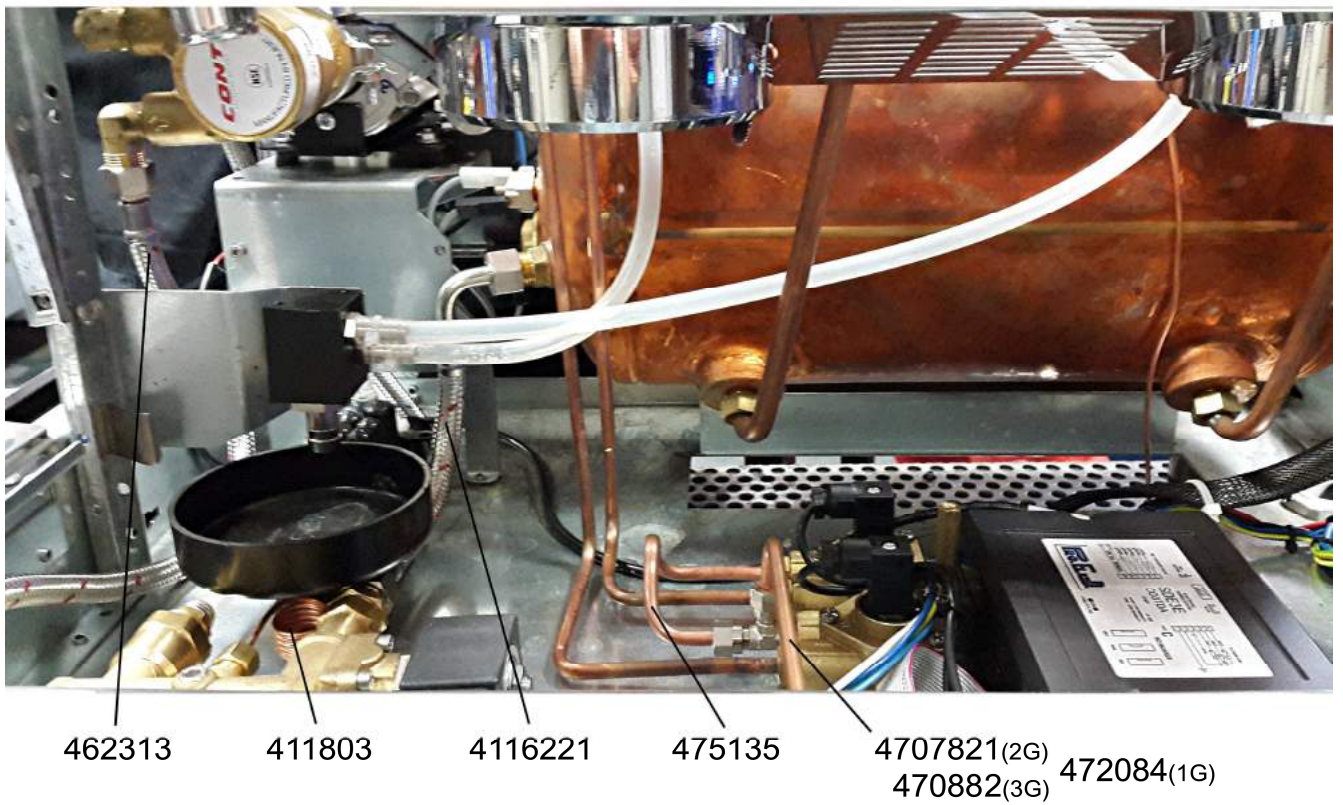
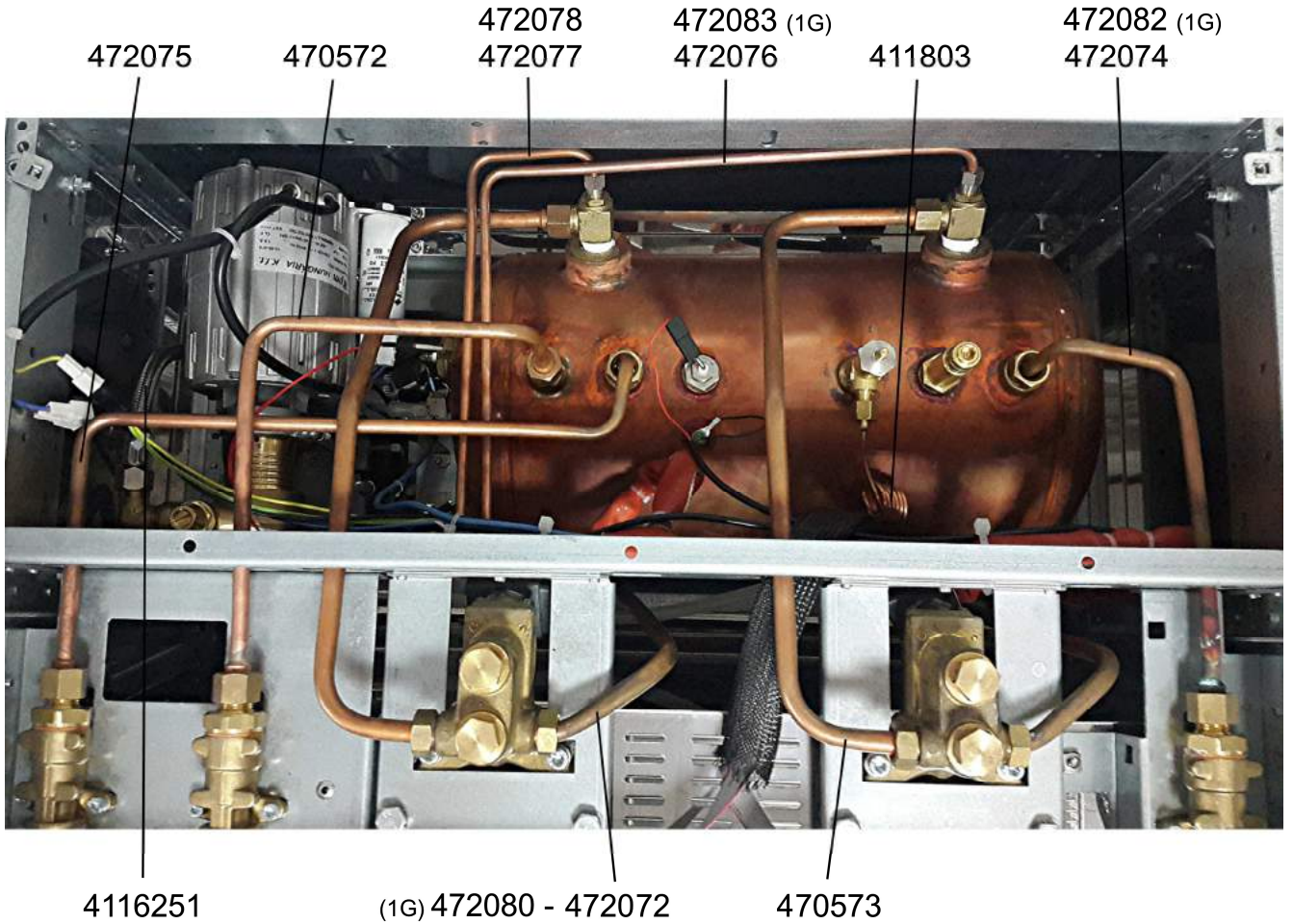
### Option CC101 110V

470596 MOTOPOMPE HORIZ. 1G 110V  
470598 MOTEUR SEUL 110V 50/60HZ

HORIZ. MOTOR PUMP 1G 110V  
MOTOR UL 110V 50/60 HZ

**10. TUYAUTERIE / PIPEWORK**

405621	TUBE SILICONE 6X9	SILICON PIPE 6X9
4116221	FLEXIBLE LG200 3/8 FF90° EC	SHEETED HOSE LG200 3/8 FF90° EC
4116251	FLEXIBLE LG500 3/8 FF90° EC	SHEETED HOSE LG500 3/8 FF90° EC
411803	CAPILLAIRE VAPEUR 1/8F 1/8F LG700	STEAM CAPILLARY 1/8F 1/8F LG700
462313	FLEXIBLE Lg1500 3/8F	SHEETED HOSE LG1500mm 3/8F
470190	TUBE EAU CHAUDE CC101	HOT WATER PIPE CC101
470192	TUBE SUP. THERMO A GROUPE CC101	BOILER to GROUP UPPER PIPE CC101
470572	TUBE EAU CHAUDE	HOT WATER PIPE
470573	TUBE THERMOSIPHON HAUT	THERMOSIPHON UPPER PIPE
4707821	TUBE ALIMENTATION TURBINE CC102	TURBINE FEED PIPE CC102
470882	TUBE ALIMENTATION TURBINE CC103	TURBINE FEED PIPE CC103
472072	TUBE THERMOSIPHON BAS	THERMOSIPHON LOWER PIPE
472074	TUBE VAPEUR DROIT	STEAM RIGHT PIPE
472075	TUBE VAPEUR GAUCHE	STEAM LEFT PIPE
472076	TUBE TURBINE A TERMO DROIT	FLOWMETER to BOILER RIGHT PIPE
472077	TUBE TURBINE A TERMO GAUCHE 2G / CENTRE 3G	FLOWMETER to BOILER LEFT 2G / CENTER 3G PIPE
472078	TUBE TURBINE A TERMO GAUCHE 3G	FLOWMETER to BOILER LEFT 3G PIPE
472080	TUBE INF. THERMO A GROUPE CC101	BOILER to GROUP LOWER PIPE CC101
472082	TUBE VAPEUR CC101	STEAM PIPE CC101
472083	TUBE TURBINE A TERMO CC101	FLOWMETER to BOILER PIPE CC101
472084	TUBE ALIM. TURBINE CC101	TURBINE FEED PIPE CC101
475135	TUBE TURBINE A TURBINE	PIPE FOR TURBINE TO TURBINE



## 11. MANOMÈTRE / MANOMETER

470080 MANOMETRE 0-3 BARS Ø40  
470081 MANOMETRE 0-16 BARS Ø40

MANOMETER 0-3 BARS Ø40  
MANOMETER 0-16 BARS Ø40



470080



470081

## 12. ELECTRICITÉ / ELECTRICITY

405892 CONTACTEUR 220V (3G)  
466092 RELAIS STATIQUE 12V  
466206 FILTRE RC RELAIS  
470202 CENTRALE CC100  
470205 CENTRALE CC100 DISPLAY  
470832 DISPLAY CC100 BLANC

CONTACTOR 220V (3G)  
STATE RELAY 12V SOLID  
RELAY FILTER  
MAINBOARD CC100  
MAINBOARD CC100 DISPLAY  
DISPLAY CC100 WHITE

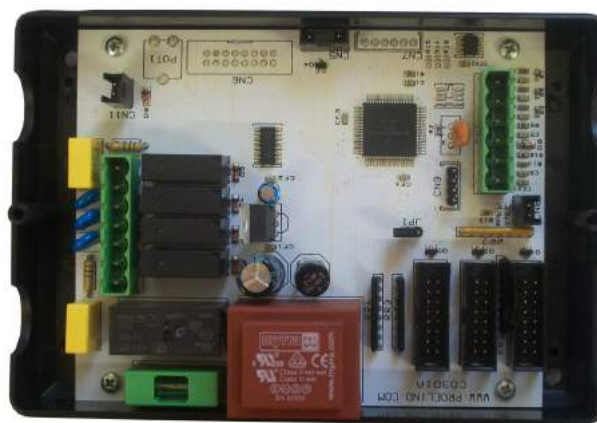
472067 CAPOT DE PROTECTION CENTRALE 1G  
472059 CAPOT DE PROTECTION CENTRALE 2G  
472060 CAPOT DE PROTECTION CENTRALE 3G

PROTECTIVE CAP 1G  
PROTECTIVE CAP 2G  
PROTECTIVE CAP 3G

### Option CC101 110V

470597 CENTRALE CC101 110V

MAINBOARD CC101 110V



470202 - 470205 - 470597

466092



470832



## 13. FAISCEAUX - DIVERS / WIRE - DIVERS

408501 INTERRUPTEUR BIPOLAIRE ON/OFF SWITCH



103250 CABLE H07 RNF 3X2,5 gris lg250cm SUPPLY CORD lg250cm  
103600 CABLE H07 RNF 3X6 gris lg250cm SUPPLY CORD lg250cm

470862 CABLE PLAT 1X110 + GAINÉ CONTROL BOARD CABLE 1X110 + GAINÉ  
470863 CABLE PLAT 2X110 + GAINÉ CONTROL BOARD CABLE 2X110 + GAINÉ  
470864 CABLE PLAT 3X110 + GAINÉ CONTROL BOARD CABLE 3X110 + GAINÉ

470809 CABLE ALIM 220V MONO 3x2,5 Lg250 POWER CABLE 220V MONO 3x2,5 Lg250  
470816 CABLE ALIM 220V MONO 3x6 POWER CABLE 220V MONO 3x6  
470822 CABLE ALIM 400V TRI 5x2,5 POWER CABLE 400V TRI 5x2,5  
470865 CABLE ALIM UL Lg250 POWER CABLE UL Lg250

470809  
470816  
470822  
470865  
= équipé



470862  
470863  
470864  
= équipé

### Option

103012 CABLE UL AWG 12/3 lg250cm (110V) SUPPLY CORD lg250cm (110V)  
105250 CABLE H07 RNF 5X2,5 gris lg250cm (triph.) SUPPLY CORD lg250cm (triph.)

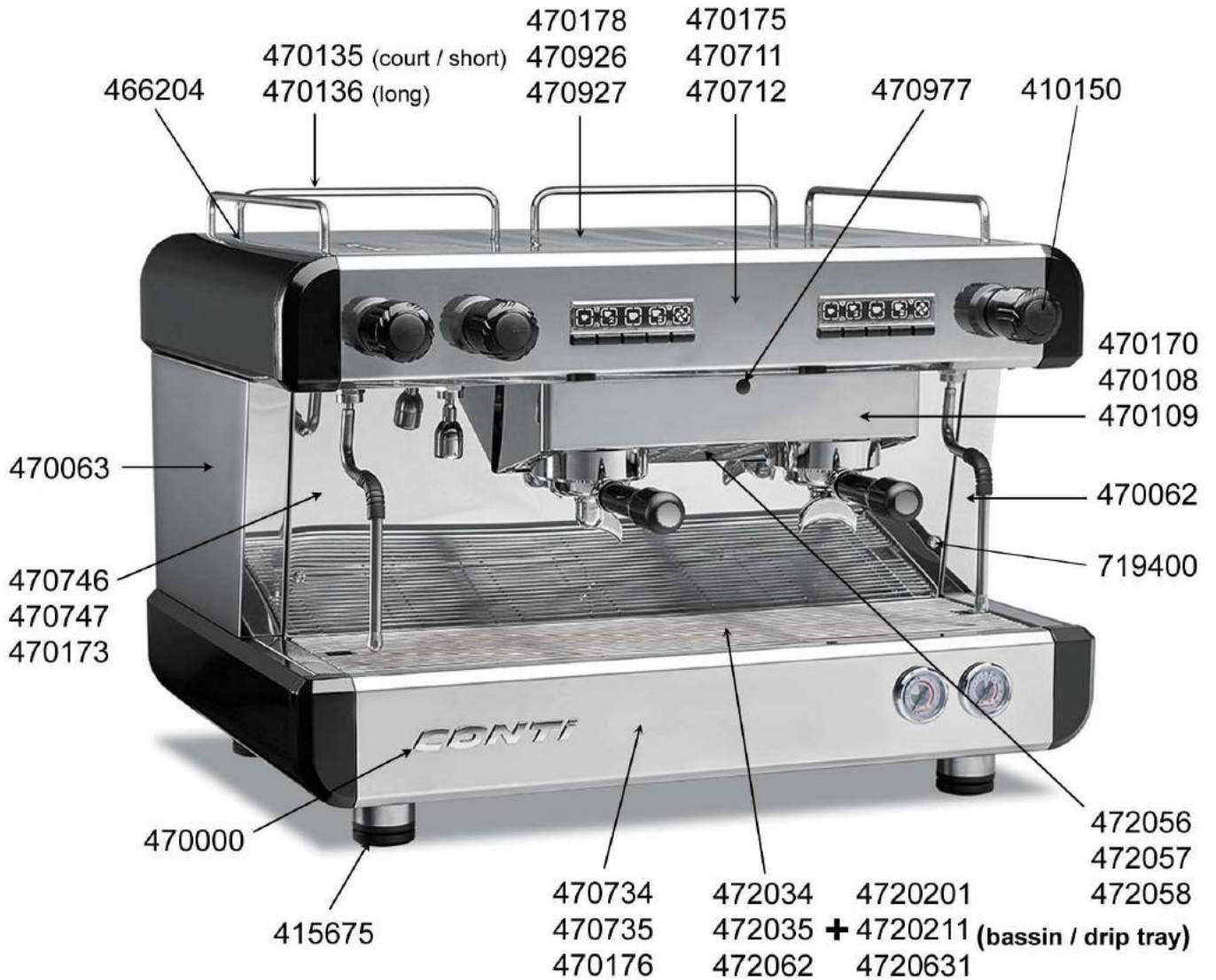
4708091 CABLE ALIM 220V MONO 3x2,5 Lg300 POWER CABLE 220V MONO 3x2,5 Lg300

470731 FAISCEAU BASSE TENSION 1/2G LOW VOLTAGE BEAM 1/2G  
470749 FAISCEAU BASSE TENSION 3G LOW VOLTAGE BEAM 3G  
472046 FAISCEAU PUISSANCE 2G (std + displ.) WIRING HARNESS 2G (std + display)  
472047 FAISCEAU PUISSANCE 3G (std + displ.) WIRING HARNESS 3G (std + display)  
472079 FAISCEAU PUISSANCE 1G WIRING HARNESS 1G

### Option

470775 FAISCEAU CHAUFFE DISPLAY 3G tri WIRING HEATING trifase 3G

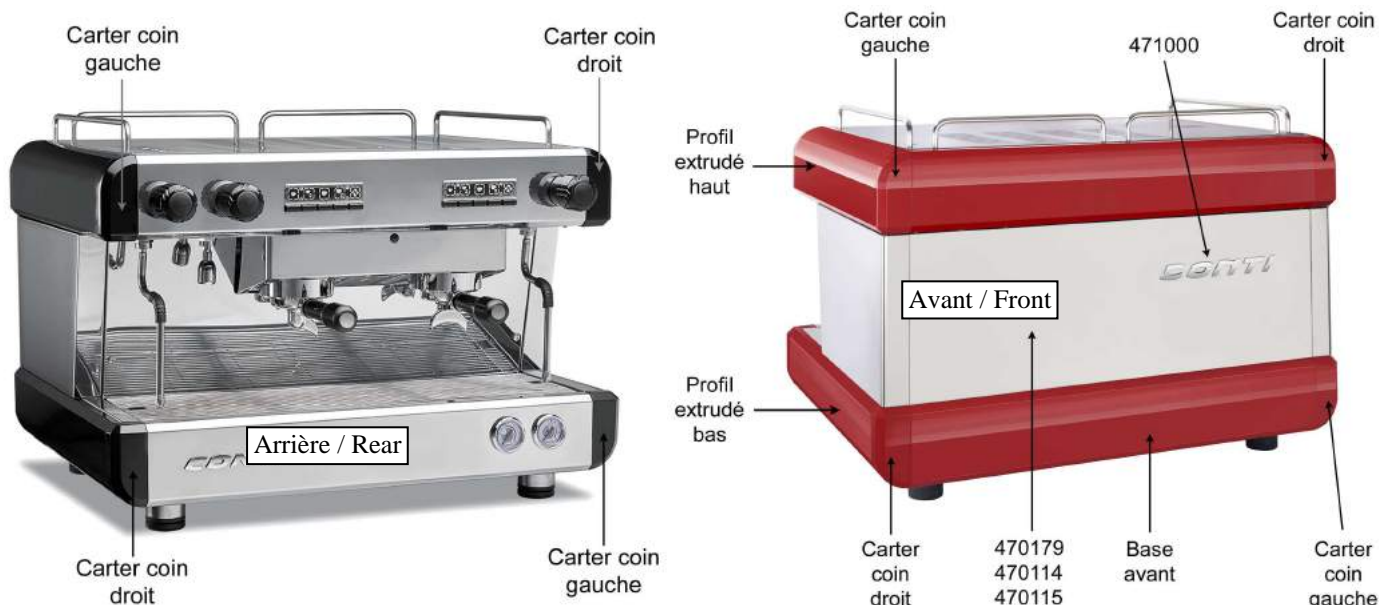
## 14. CARROSSERIE CC100 / MAIN FRAME CC100



410150	BOUCHON NOIR	CAP BLACK
415675	PIED CHROMÉ Ø50 M10 STD	FOOT CHROMED Ø50 M10
466204	VIS CBLX+fente ZN 4x8	SCREW 4X8
470000	SIGNATURE CONTI CHROMÉ	CHROMED CONTI LOGO
470062	JOUE DROITE	RIGHT SIDE PANEL
470063	JOUE GAUCHE	LEFT SIDE PANEL
470108	CARENAGE FIXE 2G	STREAMLINING FIXED GROUP 2G
470109	CARENAGE FIXE 3G	STREAMLINING FIXED GROUP 3G
470135	FIL COURT	WIRE SHORT
470136	FIL LONG	WIRE LONG
470170	CARENAGE FIXE 1G	STREAMLINING FIXED GROUP 1G
470173	FACADE ARRIERE 1G	REAR PANEL 1G
470175	TABEAU DE COMMANDE EQUIPE 1G	EQUIPPED PANEL 1G
470176	BASE ARRIERE 1G	REAR BASE PLATE 1G
470178	CHAUFFE-TASSES 1G	CUP-WARMER 1G
470711	TABEAU DE COMMANDE EQUIPÉ 2G	EQUIPPED PANEL 2G
470712	TABEAU DE COMMANDE EQUIPÉ 3G	EQUIPPED PANEL 3G
470734	BASE ARRIERE 2G	REAR BASE PLATE 2G
470735	BASE ARRIERE 3G	REAR BASE PLATE 3G
470737	BASE ARRIERE 2G DISPLAY	DISPLAY REAR BASE PLATE 2G
470738	BASE ARRIERE 3G DISPLAY	DISPLAY REAR BASE PLATE 3G
470746	FACADE ARRIERE 2G	REAR PANEL 2G
470747	FACADE ARRIERE 3G	REAR PANEL 3G
470926	CHAUFFE-TASSES 2G	CUP-WARMER 2G
470927	CHAUFFE-TASSES 3G	CUP-WARMER 3G
470977	BOUCHON CARÉNAGE	STREAMLINING CAP
4720201	BASSIN SOUDE 2G	BASIN 2G
4720211	BASSIN SOUDE 3G	BASIN 3G
472034	EGOUTTOIR 2G	DRIP TRAY 2G
472035	EGOUTTOIR 3G	DRIP TRAY 3G
472056	CARENAGE AMOVIBLE 2G	STREAMLINING REMOVABLE GROUP 2G
472057	CARENAGE AMOVIBLE 3G	STREAMLINING REMOVABLE GROUP 3G
472058	CARENAGE AMOVIBLE 1G	STREAMLINING REMOVABLE GROUP 1G
472062	EGOUTTOIR 1G	DRIP TRAY 1G
4720631	BASSIN SOUDE 1G	BASIN 1G
719400	VIS CBLX+fente ZN 5x16	SCREW 5X16

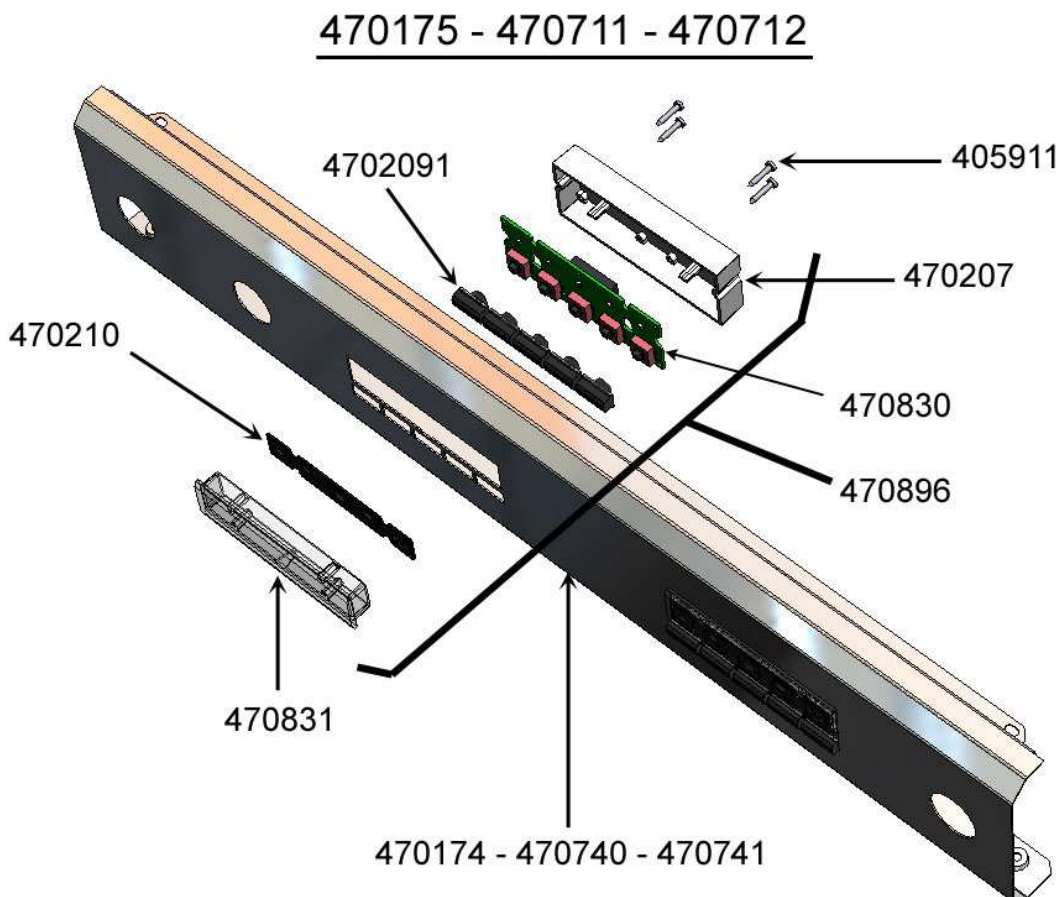
## 15. CARROSSERIE CC100 (suite) / MAIN FRAME CC100 (suite)

471000	SIGNATURE CONTI G.M.	LARGE CONTI LOGO
470114	FACADE AVANT 2G	FRONT PANEL 2G
470115	FACADE AVANT 3G	FRONT PANEL 3G
470179	FACADE AVANT 1G	FRONT PANEL 1G
470223	BASE AVANT 2G NOIRE	FRONT BASE PLATE 2G BLACK
470224	BASE AVANT 3G NOIRE	FRONT BASE PLATE 3G BLACK
470286	BASE AVANT 1G NOIRE	FRONT BASE PLATE 1G BLACK
470323	BASE AVANT 2G ROUGE	FRONT BASE PLATE 2G RED
470324	BASE AVANT 3G ROUGE	FRONT BASE PLATE 3G RED
470386	BASE AVANT 1G ROUGE	FRONT BASE PLATE 1G RED
470523	BASE AVANT 2G BLANCHE	FRONT BASE PLATE 2G WHITE
470524	BASE AVANT 3G BLANCHE	FRONT BASE PLATE 3G WHITE
470586	BASE AVANT 1G BLANCHE	FRONT BASE PLATE 1G WHITE
470258	CARTER COIN GAUCHE NOIR	BLACK ALUMINIUM LEFT CORNER
470259	CARTER COIN DROIT NOIR	BLACK ALUMINIUM RIGHT CORNER
470358	CARTER COIN GAUCHE ROUGE	RED ALUMINIUM LEFT CORNER
470359	CARTER COIN DROIT ROUGE	RED ALUMINIUM RIGHT CORNER
470558	CARTER COIN GAUCHE BLANC	WHITE ALUMINIUM LEFT CORNER
470559	CARTER COIN DROIT BLANC	WHITE ALUMINIUM RIGHT CORNER
470256	PROFIL EXTRUDE BAS NOIR	BLACK LOWER EXTRUDED PROFILE
470257	PROFIL EXTRUDE HAUT NOIR	BLACK HIGHER EXTRUDED PROFILE
470356	PROFIL EXTRUDE BAS ROUGE	RED LOWER EXTRUDED PROFILE
470357	PROFIL EXTRUDE HAUT ROUGE	RED HIGHER EXTRUDED PROFILE
470556	PROFIL EXTRUDE BAS BLANC	WHITE LOWER EXTRUDED PROFILE
470557	PROFIL EXTRUDE HAUT BLANC	WHITE HIGHER EXTRUDED PROFILE



## 16. TABLEAU EQUIPE / EQUIPPED PANEL

<u>470175</u>	<u>TABLEAU CDE EQUIPÉ CC101</u>	<u>EQUIPPED PANEL CC101</u>
<u>470711</u>	<u>TABLEAU CDE EQUIPÉ CC102</u>	<u>EQUIPPED PANEL CC102</u>
<u>470712</u>	<u>TABLEAU CDE EQUIPÉ CC103</u>	<u>EQUIPPED PANEL CC103</u>
405911	VIS ECO SYN 3X12	SCREW 3X12
470174	TABLEAU CDE CC101	PANEL CC101
470207	CAPOT SUPPORT CLAVIER CC100	COVER KEY HOLDER
4702091	TOUCHE CLAVIER BOMBEE CC100	KEY KEYBOARD CONVEX
470210	DOME LOGO TASSES CLAVIER CC100	KEYPAD DOME LOGO MUGS
470740	TABLEAU CDE CC102	PANEL CC102
470741	TABLEAU CDE CC103	PANEL CC103
470830	CARTE CLAVIER CC100 BLANCHE	CARD KEYBOARD WHITE
470831	VITRE CLAVIER FUMEE BLANCHE CC100	GLASS KEYBOARD WHITE SMOKE
470896	CLAVIER BLANC CC100 COMPLET	WHITE KEYBOARD COMPLETE CC100



## 17. OPTION TALL CUP - DISPLAY TALL CUP

### CARROSSERIE / MAIN FRAME

472048	REHAUSSEUR DE TASSES CC100+	CUP STAND CC100+
470140	FACADE ARRIERE CC101 TC	REAR PANEL CC101 TC
470846	FACADE ARRIERE CC102 TC	REAR PANEL CC102 TC
470847	FACADE ARRIERE CC103 TC	REAR PANEL CC103 TC
470854	CACHE GROUPE CC102 TC	GROUP FAIRING CC102 TC
470857	CACHE GROUPE CC103 TC	GROUP FAIRING CC103 TC



### TUYAUTERIE / PIPEWORK

470884	TUBE SUP. THERMO A GROUPE 2/3G	BOILER to GROUP UPPER PIPE 2/3G
472073	TUBE INF. THERMO A GROUPE 2/3G	BOILER to GROUP LOWER PIPE 2/3G
470111	TUBE THERMOSIPHON HAUT 1G	UPPER THERMOSYPHON PIPE 1G
472081	TUBE THERMOSIPHON BAS 1G	LOWER THERMOSYPHON PIPE 1G

## 18. ACCESSOIRES / ACCESSORIES

016795	FILTRE DE NETTOYAGE	CLEANING FILTER
016797	PINCEAU DE NETTOYAGE JOINT PF	FILTER HOLDER CLEANING BRUSH
408821	TESTEUR DE DURETE	WATER HARDNESS TESTER
411812	TUYAU DE VIDANGE LG150	DRAIN PIPE LG150
466662	PASTILLE DE NETTOYAGE (PAR 20)	CLEANING TABLETS (BY 20)



## 19. OPTION

466661	PASTILLE DE NETTOYAGE (PAR 100)	CLEANING TABLETS (BY 100)
--------	---------------------------------	---------------------------



## 20. OPTION 110V

### GROUPE 110V / 110V GROUP

401816	EV 3 VOIES 110V-60HZ	SOLENOID VALVE 110V-60HZ
--------	----------------------	--------------------------

### CHAUDIÈRE 110V / 110V BOILER

406921	THERMOPLONGEUR 1700W 110V	HEATING ELEMENT 1700W 110V
--------	---------------------------	----------------------------

### BLOC EE INJ+ EV 2VOIES 110V / WATER INLET CONTROL + SV 2WAYS 110V

470599	EV 2 VOIES 110V-50/60HZ	2 WAYS VALVE 110V-50/60 BASE
--------	-------------------------	------------------------------

### MOTOPOMPE 110V / 110V MOTOR PUMP

470598	MOTEUR DE POMPE 110V	MOTOR ALONE 110V - 50/60HZ
--------	----------------------	----------------------------

### ELECTRICITÉ 110V / 110V ELECTRICITY

103012	CÂBLE D'ALIM	UL CABLE AWG 12/3
470157	TÔLE PROTECTION	PROTECTION PLATE CC101 110V
470597	CENTRALE	MAINBOARD CC100 110V

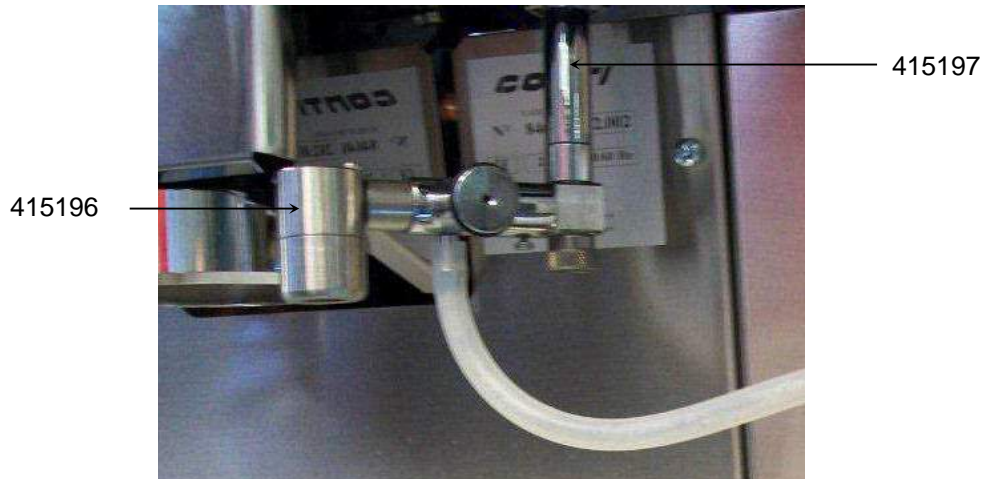
## 21. OPTION CAPPU

### 4151961 CAPPUCINATORE COMPLET

258000 JOINT 8X14,3X1,5  
415196 CAPPUCINATORE  
415197 RALLONGE CAPPUCINO

### CAPPUCINATORE COMPLETE

O'RING 8X14,3X1,5  
CAPPUCINATORE  
EXTENSION CAPPUCINATORE



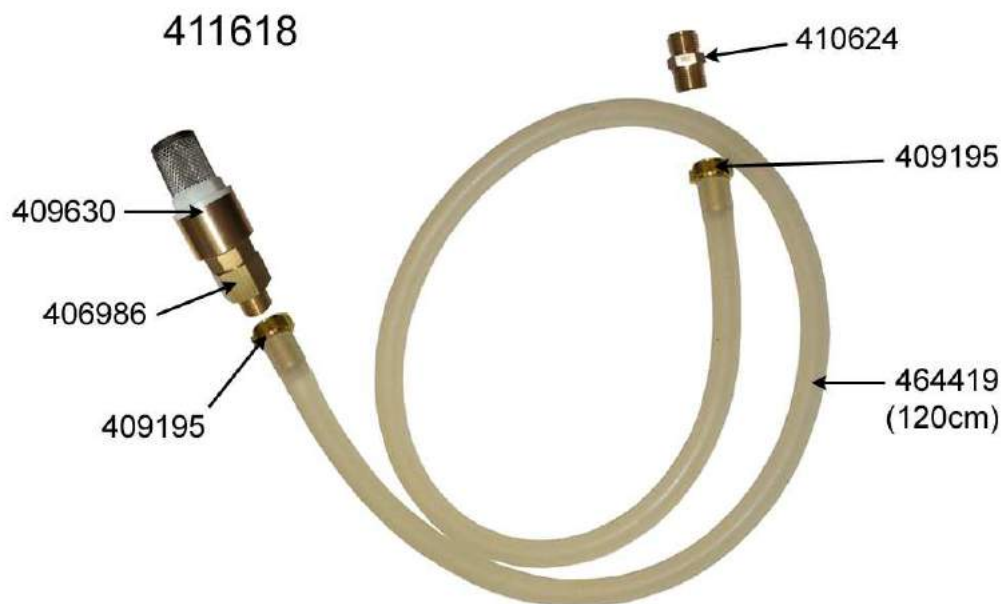
## 22. OPTION KIT SOLO

### 411618 KIT AUTONOME

406986 RACCORD ROBINET PUISAGE  
409195 RACCORD CANNELE 3/8"  
409630 CREPINE A CLAPET 1/2"  
410624 NIPPLE 3/8M SO 110010X3/8  
464419 TUBE SILICONE 10X16

### SOLO KIT

TAP CONNECTOR  
3/8" GROOVED CONNECTOR  
1/2" STRAINER CHECK VALVE  
3/8M SO 110010X3/8 NIPPLE  
10X16 SILICON PIPE





## **23. PIECES DETACHEES POUR L'ENTRETIEN / SPARE PARTS FOR MAINTENANCE**

470891           KIT A ( USURE ) / KIT A ( WEAR )

470892           KIT B ( URGENT ) / KIT B ( EMERGENCY )

470893           KIT C ( STOCK ) / KIT C ( STOCK )

# **CONTI**

— ESPRESSO MACHINE —



web

La Ruche - 1, Avenue Albert II - B.P.119 - MC 98007 MONACO Cedex  
Tél.: (377) 93 10 43 43 Fax : (377) 93 10 43 44  
<http://www.conti-espresso.com> <http://www.conti-spareparts.com>  
E-mail:tech@conti-espresso.com