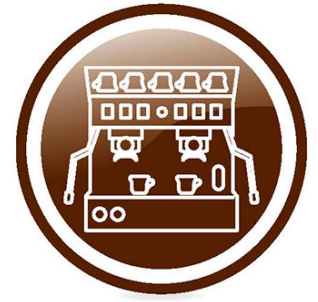




Spare parts for the professional sector: Espresso coffee machines



Suitable for:

CONTI

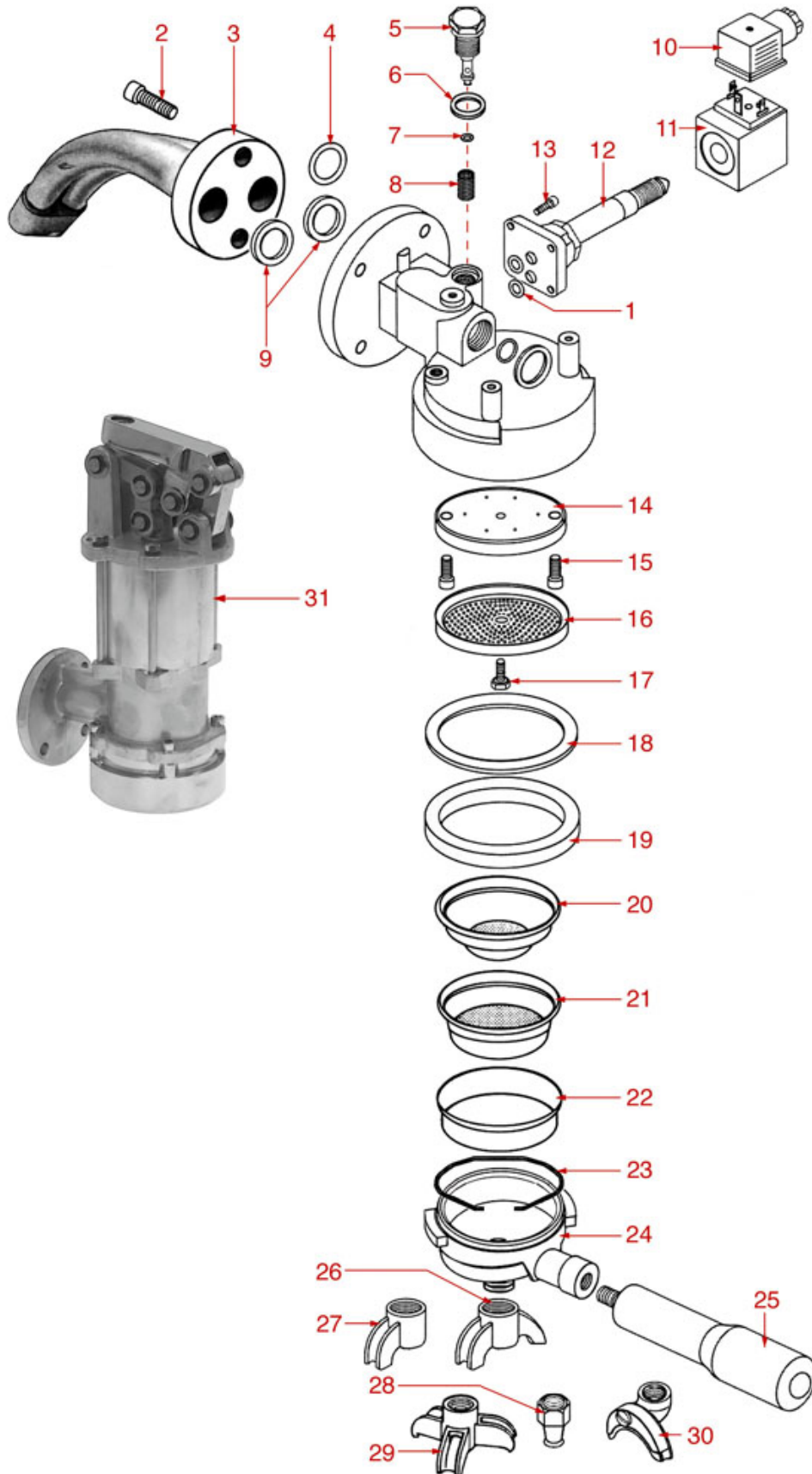


This catalogue is automatically generated.
Therefore, the sequence of the items might
not be always shown at best.
Updates will be issued in case of additions
and/or amendments.
Suitable universal spare parts may not be included





BREW GROUP





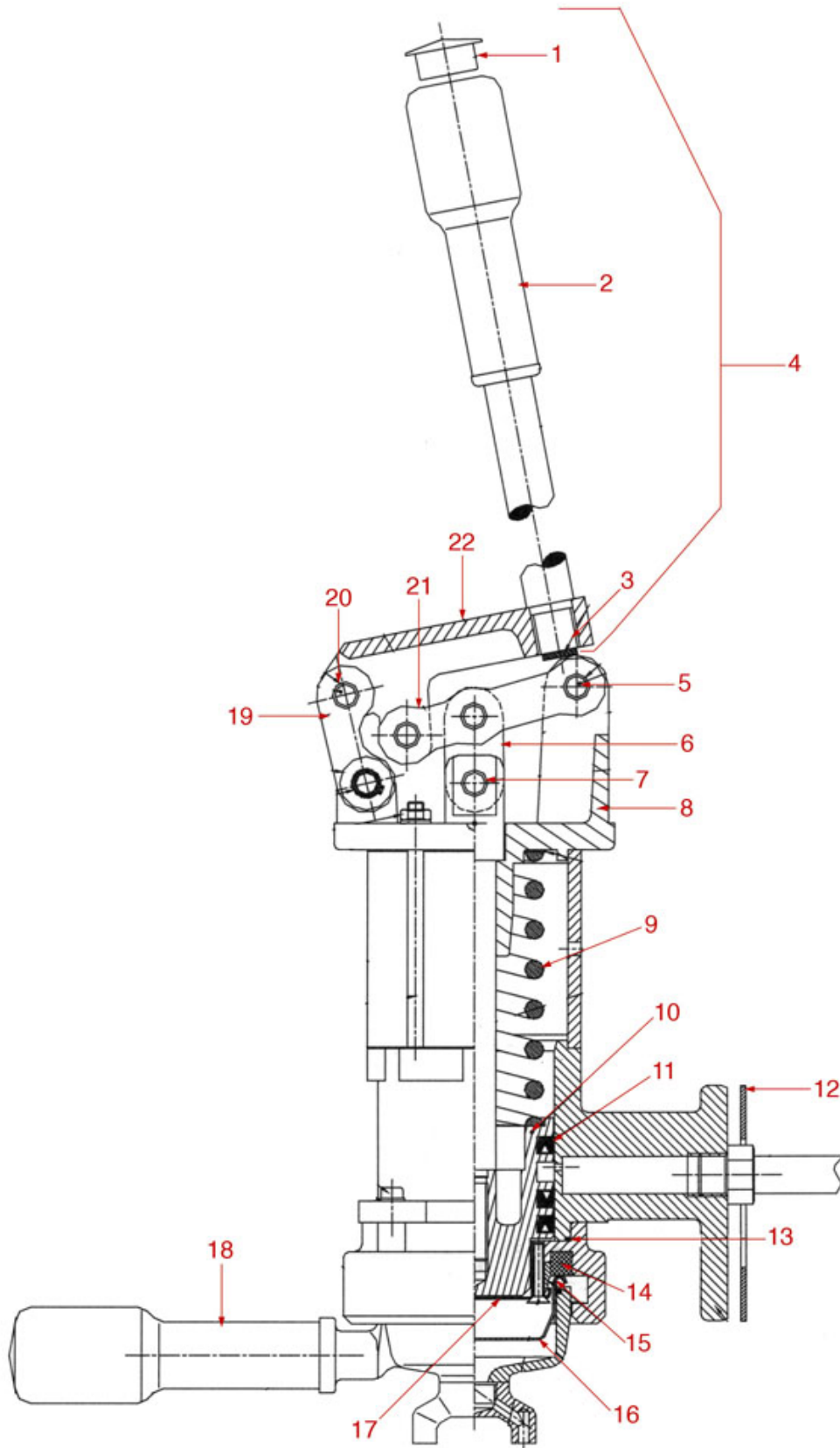
CONTI



Position	LF code no.	Description
1	1186612	O-RING 02025 VITON
4	1186805	O-RING 0115 EPDM
5	1349123	CAP FOR BREW GROUP
6	1186114	COPPER FLAT GASKET \varnothing 17x13.1x1 mm
7	1186252	O-RING 0040-20 EPDM
8	1160338	WATER FILTER \varnothing 8x13 mm
9	1186119	PTFE FLAT GASKET \varnothing 17.3x12x2 mm
10	3120034	CONNECTOR LARGE F-FITTING
11	1120336	COIL PARKER ZB09 9W 110/120V 50/60Hz
11	3120032	COIL PARKER ZB09 9W 220/240V 50/60Hz
12	1120339	3-WAY MECHANICAL COMPONENT PARKER
13	1455034	CYLINDER HEAD SCREW M4x10
14	1086005	SHOWER HOLDER DIFFUSER
15	1184012	CYLINDER HEAD SCREW M5x10
16	1081101	SHOWER SCREEN \varnothing 58.5 mm
18	1190001	PAPER SHIM \varnothing 73x59x0.8 mm
19	1186676	FILTER HOLDER GASKET \varnothing 72x56x8.5 mm
19	1186711	FILTER HOLDER GASKET \varnothing 72x56x9 mm
20	1160251	1 CUP FILTER 6 g \varnothing 70x20.5 mm
20	1160335	1 CUP FILTER 7 g \varnothing 70x24,5 mm
21	1160252	FILTER 2-CUP 12 g \varnothing 70x21 mm
21	1160337	FILTER 2-CUP 14 g \varnothing 70x24,5 mm
21	1160345	2 CUPS FILTER 18/21 gr \varnothing 70x28 mm
22	1160339	BLIND FILTER \varnothing 70x17 mm
23	1250101	FILTER LOCKING SPRING \varnothing 1,00 mm INOX
24	1165101	FILTER HOLDER F/COFFEE MACHINES CONTI
25	1241504	FILTER HOLDER HANDLE M12
27	1022550	SPOUT 1 CUP \varnothing 3/8"
28	1022503	SPOUT 1 CUP STRAIGHT \varnothing 3/8"
29	1022551	TRIPLE SPOUT \varnothing 3/8"
30	1022502	DOUBLE SPOUT \varnothing 3/8"



LEVER GROUP





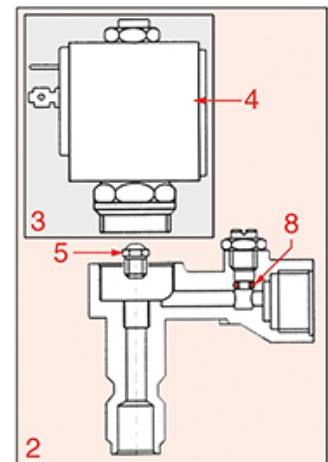
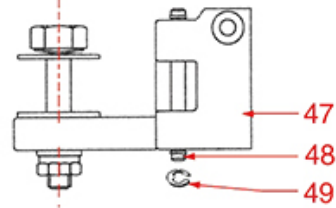
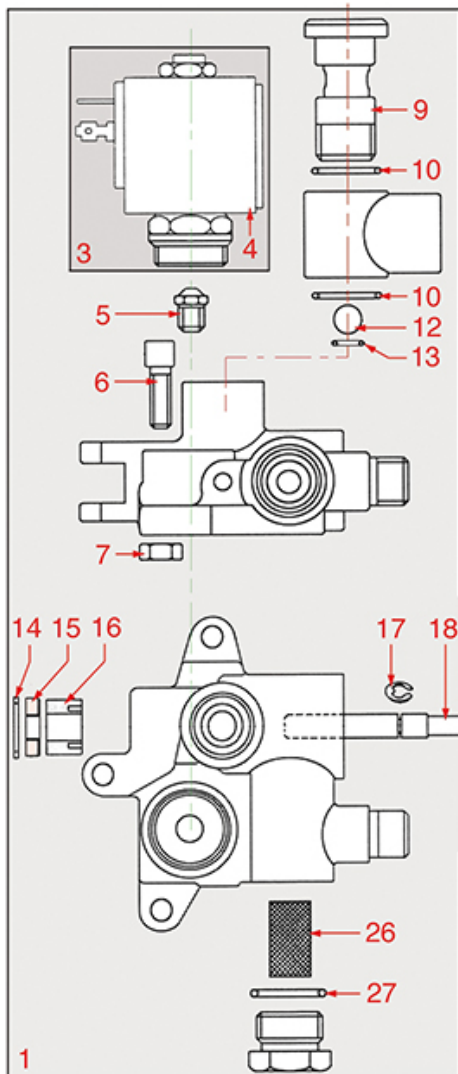
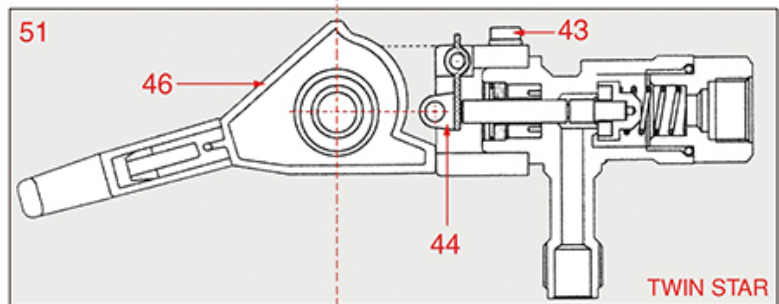
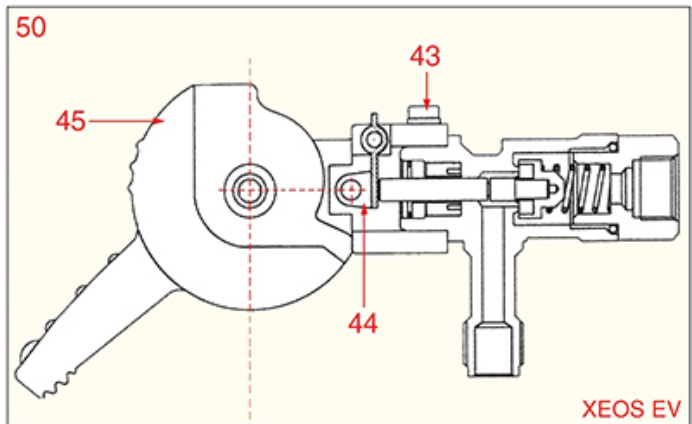
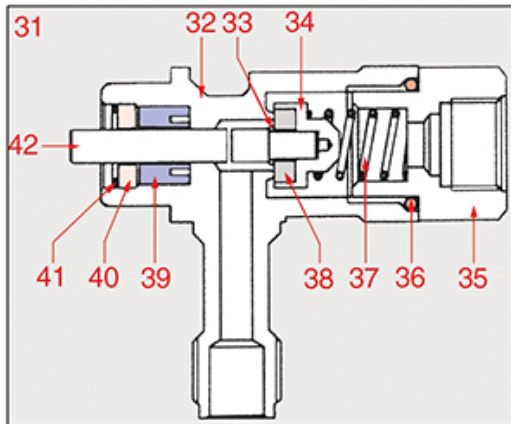
CONTI



Position	LF code no.	Description
11	1186383	LIP SEAL \varnothing 61x47x6.3 mm
12	1186382	COFFEE GROUP GASKET \varnothing 88x48x2 mm
13	1186381	ORM GASKET 0680-20 EPDM
14	1186676	FILTER HOLDER GASKET \varnothing 72x56x8.5 mm
14	1186711	FILTER HOLDER GASKET \varnothing 72x56x9 mm
15	1086508	SHOWER HOLDER DIFFUSER
16	1160251	1 CUP FILTER 6 g \varnothing 70x20.5 mm
16	1160345	2 CUPS FILTER 18/21 gr \varnothing 70x28 mm
17	1081102	SHOWER \varnothing 57 mm
18	1165019	1 CUP FILTER HOLDER ASSEMBLY CONTI
18	1165020	2 CUPS FILTER HOLDER ASSEMBLY CONTI



TAPS





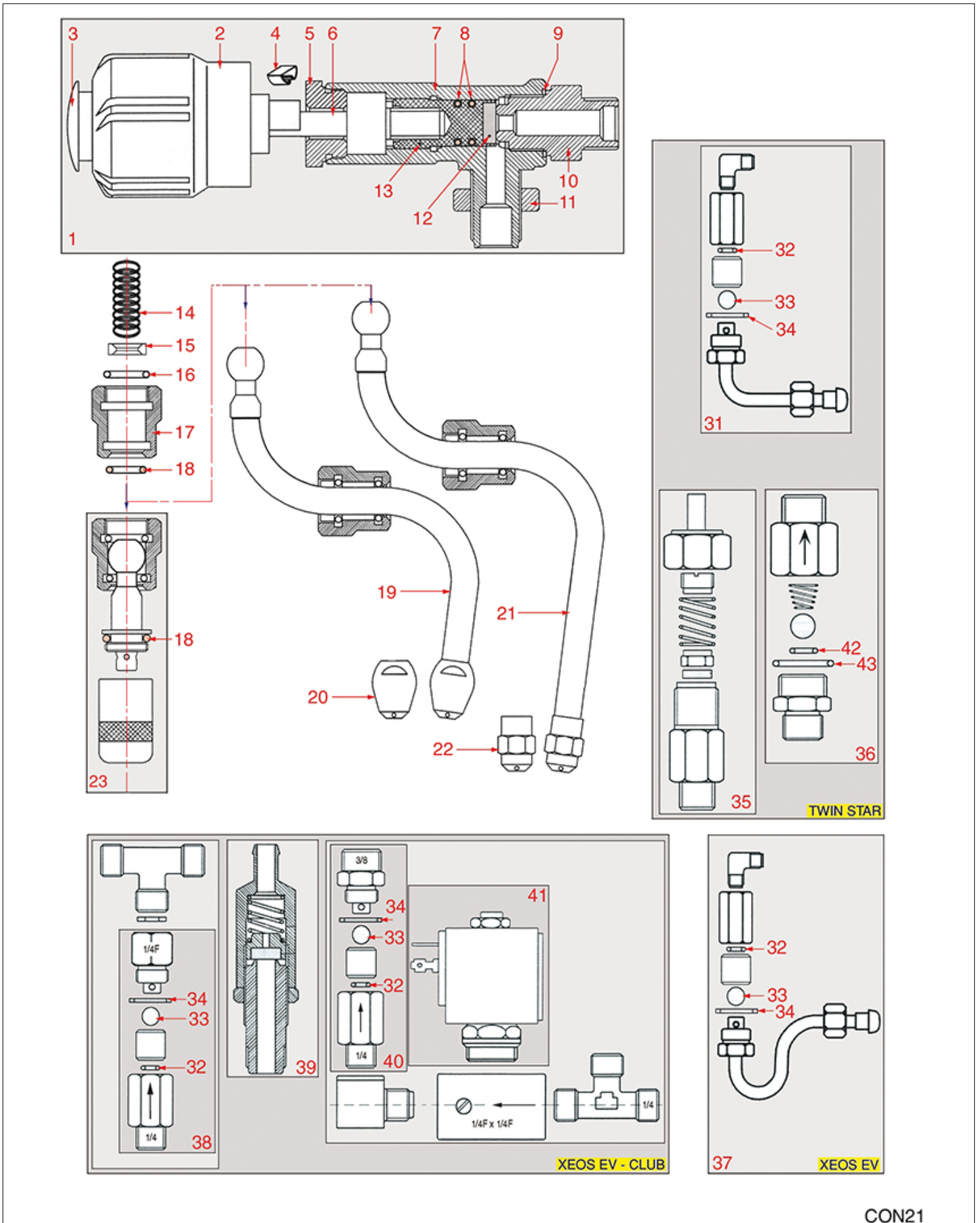
CONTI



Position	LF code no.	Description
2	1348310	WATER INLET TAP
4	1120820	COIL ODE BDA08223DS 220/230V 50/60Hz
8	1186163	O-RING 02010 EPDM
12	1323416	STAINLESS STEEL BALL ø 10 mm
13	1186352	O-RING 02050 EPDM
16	1186166	LIP SEAL ø 14x7x10.5 mm
20	1186161	FLAT EPDM GASKET ø 13x4x4 mm
24	1160346	WATER FILTER ø 14 mm
25	3243266	O-RING 02081 EPDM
27	1186414	O-RING 0119 EPDM
36	1186438	O-RING 0132 EPDM
38	1186161	FLAT EPDM GASKET ø 13x4x4 mm
45	1225407	WATER/STEAM TAP KNOB
50	1348305	COMPLETE TAP XEOS EV



TAPS



TWIN STAR

XEOS EV - CLUB

XEOS EV



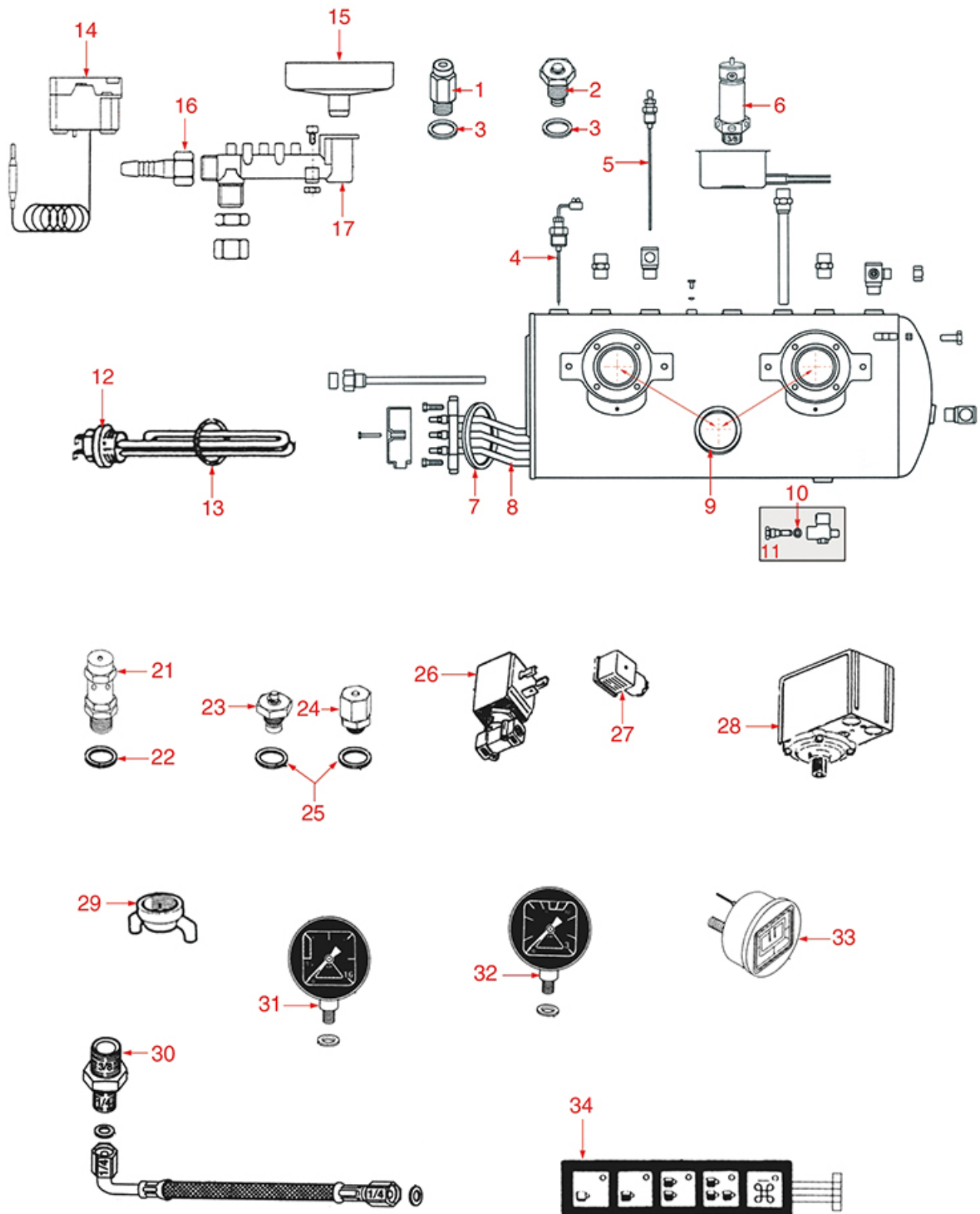
CONTI



Position	LF code no.	Description
1	1348314	COMPLETE TAP "CLUB"
2	1241367	WATER/STEAM TAP KNOB
4	1241561	ELASTIC RING FOR KNOB
8	1186157	ORM GASKET 0120-20 VITON
9	1186167	COPPER FLAT GASKET ø 21.2x18x1.5 mm
12	1186235	BLIND GASKET ø 14x4 mm
15	1186177	CONICAL PTFE SEAL ø 13.5x7.5x3.5 mm
16	3243086	O-RING 0117 EPDM
18	3060608	O-RING O3050 EPDM
19	1449328	STEAM PIPE COMPLETE
21	1449329	STEAM PIPE COMPLETE
23	1449330	COMPLETE WATER PIPE
32	1186612	O-RING 02025 VITON
34	1186268	COPPER FLAT GASKET ø 13x8x1 mm
38	1523514	NON-RETURN VALVE ø 1/4"F-1/4"M
40	1523519	NON-RETURN VALVE ø 1/4"M-3/8"M
41	1120820	COIL ODE BDA08223DS 220/230V 50/60Hz
42	1186352	O-RING 02050 EPDM



BOILER





CONTI



Position	LF code no.	Description
2	1523534	EXHAUST VALVE \varnothing 1/4"M
2	1523537	EXHAUST VALVE \varnothing 1/4"M
3	1186619	COPPER FLAT GASKET \varnothing 18x14x1.5 mm
4	1341752	LEVEL PROBE \varnothing 1/4"M-148 mm
4	3341017	LEVEL PROBE \varnothing 1/4"M-120 mm
5	3341011	LEVEL PROBE \varnothing 1/4"M-140 mm
6	1515100	BOILER VALVE \varnothing 3/8"M 1.8bar CE-PED
7	1186155	PTFE FLAT GASKET \varnothing 76x68.4x3 mm
8	1755391	HEATING ELEMENT 2800/3050W 230/240V
8	1755393	HEATING ELEMENT 4000/4350W 230/240V
8	1755394	HEATING ELEMENT 6000W 220/380V
15	1527032	DRAIN TANK
17	1527033	OUTLET MANIFOLD
21	1515100	BOILER VALVE \varnothing 3/8"M 1.8bar CE-PED
22	1186186	ROUND COPPER GASKET \varnothing 23x17x3 mm
23	1523534	EXHAUST VALVE \varnothing 1/4"M
23	1523537	EXHAUST VALVE \varnothing 1/4"M
24	1523538	BOILER EXHAUST VALVE \varnothing 1/4"M
25	1186619	COPPER FLAT GASKET \varnothing 18x14x1.5 mm
26	1120153	2-WAY SOLENOID VALVE PARKER 110V 50/60Hz
26	1120354	2-WAY SOLENOID VALVE PARKER 230V 50/60Hz
27	3120034	CONNECTOR LARGE F-FITTING
28	1320531	PRESSURE SWITCH P302/6 3-POLES 30A
28	1320541	PRESSURE SWITCH PARKER 3-POLES 25A
29	1022532	DOUBLE SPOUT M18x1.5 mm
30	1349112	FITTING \varnothing 1/4"M-3/8"M
31	1245300	PRESSURE GAUGE PUMP \varnothing 62 mm 0÷16 bar
32	1245301	BOILER PRESSURE GAUGE \varnothing 62 mm 0÷3 bar
33	1242005	BOILER-PUMP PRESSURE GAUGE \varnothing 63 mm
33	1245532	BOILER-PUMP PRESSURE GAUGE \varnothing 63 mm



Suitable for:

CONTI



Suitable for:

Ball valves and accessories

3526699 BALL VALVE \varnothing 1/4" MF



CONTI 410617

Boiler safety valves

1523538 BOILER EXHAUST VALVE \varnothing 1/4" M
made of brass
HNBR/PTFE sealing



CONTI

1515100 BOILER VALVE \varnothing 3/8" M 1.8bar CE-PED
calibration pressure 1.8 bar
steam outlet capacity 6.3 Kg/h



CONTI

1523534 EXHAUST VALVE \varnothing 1/4" M
stainless steel - new model
internal PTFE coating - or viton
for Coffee machine (CONTI) CLUB - TWIN STAR2
XEOS2



CONTI 408898

1523537 EXHAUST VALVE \varnothing 1/4" M
stainless steel - old model
or viton



CONTI

3523090 INSULATING CAP FOR BOILER VALVE
for Coffee machine (CONTI) XEOS EVOLUTION2



CONTI 410915

Brushes

1384023 BRUSH FOR CLEANING 50 mm



CONTI

1384002 BRUSH FOR MAINTENANCE



CONTI

Suitable for:

1384001 SHOWER CLEANING BRUSH
100% made in Italy



CONTI

Suitable for:

1384014 SHOWER CLEANING BRUSH RED



CONTI

Caps

1349123 CAP FOR BREW GROUP
for Coffee machine (CONTI) CLUB - SK2 - XE0S2



CONTI 403456

Circlips

1250191 RADIAL SEEGER RING \varnothing 3,2 mm
stainless steel - external \varnothing 7.3 mm - thickness 0.
UNI 7434 - DIN 6799



CONTI 405184

Clamps

1168011 STAINLESS STEEL CLAMP FOR FLANGE PUMP



CONTI

Coffee filters

1160339 BLIND FILTER \varnothing 70x17 mm
edge \varnothing 70 mm - height 17 mm
for Coffee machine (CONTI)



CONTI

1460067 FILER 2 CUPS 12 gr \varnothing 70x21 mm
border \varnothing 70 mm - height 21 mm
made in China



CONTI 016780



Suitable for:

CONTI



1460026 FILTER BARISTAPRO 1T 10/12 g THE SINGLE

edge ø 70 mm - height 24 mm - 269 holes
Aisi steel 304 - food-safe certified.
Modified drilling, with increased holes of the 90% to obtain a bigger extraction also with light toasted coffee.
Electropolishing, to guarantee a surface with higher strength and durability.
100% made in Italy



CONTI

1460019 FILTER BARISTAPRO 1T 7/8.5 g THE SINGLE

edge ø 70 mm - height 21 mm - 269 holes
Aisi steel 304 - food-safe certified.
Modified drilling, with increased holes of the 90% to obtain a bigger extraction also with light toasted coffee.
Electropolishing, to guarantee a surface with higher strength and durability.
100% made in Italy



CONTI

1460025 FILTER BARISTAPRO 1T 8/10 g THE SINGLE

edge ø 70 mm - height 22.5 mm - 269 holes
Aisi steel 304 - food-safe certified.
Modified drilling, with increased holes of the 90% to obtain a bigger extraction also with light toasted coffee.
Electropolishing, to guarantee a surface with higher strength and durability.
100% made in Italy



CONTI

1460017 FILTER BARISTAPRO 2T 15 g

edge ø 70 mm - height 22 mm - 661 holes
Aisi steel 304 - food-safe certified.
Holes made with a precise diameter and number specifically designed and tested to ensure homogeneous extraction and a balanced quantity of soluble in cup.
Detached from the filter edge and distributed toward the center to eliminate channeling.
Electropolishing, to guarantee a surface with higher strength and durability.
100% made in Italy



CONTI

1460018 FILTER BARISTAPRO 2T 15 g NANOTECH

edge ø 70 mm - height 22 mm - 661 holes
Aisi steel 304 - food-safe certified.
Holes made with a precise diameter and number specifically designed and tested to ensure homogeneous extraction and a balanced quantity of soluble in cup.
Detached from the filter edge and distributed toward the center to eliminate channeling.
Non-stick coating made of NANOQUARTZ increases the resistance to corrosion and chemical reaction
100% made in Italy



CONTI

1460020 FILTER BARISTAPRO 2T 18 g

edge ø 70 mm - height 24 mm - 661 holes
Aisi steel 304 - food-safe certified.
Holes made with a precise diameter and number specifically designed and tested to ensure homogeneous extraction and a balanced quantity of soluble in cup.
Detached from the filter edge and distributed toward the center to eliminate channeling.
Electropolishing, to guarantee a surface with higher strength and durability.
100% made in Italy



CONTI

1460022 FILTER BARISTAPRO 2T 18 g NANOTECH
 edge ø 70 mm - height 24 mm - 661 holes
 Aisi steel 304 - food-safe certified.
 Holes made with a precise diameter and number specifically designed and tested to ensure homogeneous extraction and a balanced quantity of soluble in cup. Detached from the filter edge and distributed toward the center to eliminate channeling. Non-stick coating made of NANOQUARTZ increases the resistance to corrosion and chemical reaction.
 100% made in Italy



CONTI

1460021 FILTER BARISTAPRO 2T 20 g
 edge ø 70 mm - height 26 mm - 661 holes
 Aisi steel 304 - food-safe certified.
 Holes made with a precise diameter and number specifically designed and tested to ensure homogeneous extraction and a balanced quantity of soluble in cup. Detached from the filter edge and distributed toward the center to eliminate channeling. Electropolishing, to guarantee a surface with higher strength and durability.
 100% made in Italy



CONTI

1460023 FILTER BARISTAPRO 2T 20 g NANOTECH
 edge ø 70 mm - height 26 mm - 661 holes
 Aisi steel 304 - food-safe certified.
 Holes made with a precise diameter and number specifically designed and tested to ensure homogeneous extraction and a balanced quantity of soluble in cup. Detached from the filter edge and distributed toward the center to eliminate channeling. Non-stick coating made of NANOQUARTZ increases the resistance to corrosion and chemical reaction.
 100% made in Italy



CONTI

1460027 FILTER BARISTAPRO 2T 22 g
 edge ø 70 mm - height 28 mm - 661 holes
 Aisi steel 304 - food-safe certified.
 Holes made with a precise diameter and number specifically designed and tested to ensure homogeneous extraction and a balanced quantity of soluble in cup. Detached from the filter edge and distributed toward the center to eliminate channeling. Electropolishing, to guarantee a surface with higher strength and durability.
 100% made in Italy



CONTI

1460024 FILTER BARISTAPRO 2T 22 g NANOTECH
 edge ø 70 mm - height 28 mm - 661 holes
 Aisi steel 304 - food-safe certified.
 Holes made with a precise diameter and number specifically designed and tested to ensure homogeneous extraction and a balanced quantity of soluble in cup. Detached from the filter edge and distributed toward the center to eliminate channeling. Non-stick coating made of NANOQUARTZ increases the resistance to corrosion and chemical reaction.
 100% made in Italy



CONTI

5064969 FILTER CAPSULES EP-FAP SUPER CREAM
 edge ø 70 mm - body ø 60 mm - height 75 mm
 adapter for single dose capsules
 complete with internal pressure valve
 to make the product creamy
 to be combined w. filter holder w/out sp. bottom for the machine brand
 suitable for machines BFC-BIANCHI-BRASILIA
 BRUGNETTI AURORA-EXPOBAR-FAEMA-FIORENZATO CS
 FUTURA-FUTURMAT-GRIMAC-ROYAL-SAB ITALIA-SANREMO
 SCALA-VIBIEMME-WEGA



CONTI



Suitable for:

CONTI



5108084 FILTER 1 CUP 6 g \varnothing 70x20.5 mm
border \varnothing 70 mm - height 20.5 mm
made in China



CONTI 016840

Suitable for:

1460065 FILTER 1 CUP 7 g \varnothing 70x24.5 mm
edge \varnothing 70 mm - h 24.5 mm
made in China



CONTI 016840

1460066 FILTER 2 CUPS 14 g \varnothing 70x24.5 mm
edge \varnothing 70 mm - h 24.5 mm
made in China



CONTI 016700

5107382 FILTER 2 CUPS 18 g \varnothing 70x28 mm
border \varnothing 70 mm - height 28 mm
made in China



CONTI 27190

1160252 FILTER 2-CUP 12 g \varnothing 70x21 mm
edge \varnothing 70 mm - height 21 mm



CONTI 016780

1160282 FILTER 2-CUP 14 g - COST EFFECTIVE
edge \varnothing 70 mm - height 25 mm



CONTI

1160337 FILTER 2-CUP 14 g \varnothing 70x24,5 mm
edge \varnothing 70 mm - height 24.5 mm
for Coffee machine (CONTI) CLUB - TWIN STAR2
XEOS2



CONTI 016700

1460100 PRECISION FILTER 1 CUP 6/8 g H24.5
edge \varnothing 70 mm - height 24.5 mm - 177 holes
circular holes with conical section
Aisi steel 304 - food-safe certified
matching tamper \varnothing 58 mm
for COFFEE MACHINES ASTORIA-CASADIO-CONTI-ELEKTRA
FRACINO-KEESVANDERWESTEN-MAGISTER-MARZOCCO
N.SIMONELLI-PAVONI-PROMAC-RANCILIO-SLAYER-SYNESSO
VICTORIA ARDUINO
for GROUPS E61 ASCASO-BEZZERA-BFC-BIANCHI
BRASILIA-DID-ECM-EXPOBAR-FAEMA-FIORENZATO-GRIMAC
IBERITAL-LANUOVAERA-LASCALA-ORCHESTRALE
QUALITYESPRESSO-ROCKET-ROYAL-SABITALIA-SANREMO-VFA
VIBIEMME-WEGA



CONTI

1460101 PRECISION FILTER 1 CUP 7/9 g H26.5
 edge \varnothing 70 mm - height 26.5 mm - 253 holes
 circular holes with conical section
 Aisi steel 304 - food-safe certified
 matching tamper \varnothing 58 mm
 for GROUPS E61 ASCASO-BEZZERA-BFC-BIANCHI
 BRASILIA-DID-ECM-EXPOBAR-FAEMA-FIORENTATO-GRIMAC
 IBERITAL-LANUOVAERA-LASCALA-L'ORCHESTRALE
 QUALITYESPRESSO-ROCKET-ROYAL-SABITALIA-SANREMO-VFA
 VIBIEMME-WEGA
 for Coffee machine (CONTI)



CONTI

1460113 PRECISION FILTER 2 CUPS 12/18 g H24
 edge \varnothing 70 mm - height 24 mm - 715 holes
 convex bottom
 circular holes with conical section
 Aisi steel 304 - food-safe certified
 matching tamper \varnothing 58 mm
 per GROUPS E61 ASCASO-BEZZERA-BFC-BIANCHI
 BRASILIA-DID-ECM-EXPOBAR-FAEMA-FIORENTATO-GRIMAC
 IBERITAL-LANUOVAERA-LASCALA-L'ORCHESTRALE
 QUALITYESPRESSO-ROCKET-ROYAL-SABITALIA-SANREMO-VFA
 VIBIEMME-WEGA
 for COFFEE MACHINES SANREMO OPERA



CONTI

1460400 PRECISION FILTER 2 CUPS 12/18 g H24
 ULTRAFINE MODEL - MEMBRANE OF 170 μ m
 edge \varnothing 70 mm - height 24 mm - 565 holes
 circular holes with conical section
 Aisi steel 304 - food-safe certified
 matching tamper \varnothing 58 mm
 for COFFEE MACHINES ASTORIA-CASADIO-CONTI-ELEKTRA
 FRACINO-KEESVANDERWESTEN-MAGISTER-MARZOCCO
 N.SIMONELLI-PAVONI-PROMAC-RANCILIO-SLAYER-SYNESSO
 VICTORIA ARDUINO
 for GROUPS E61 ASCASO-BEZZERA-BFC-BIANCHI
 BRASILIA-DID-ECM-EXPOBAR-FAEMA-FIORENTATO-GRIMAC
 IBERITAL-LANUOVAERA-LASCALA-ORCHESTRALE
 QUALITYESPRESSO-ROCKET-ROYAL-SABITALIA-SANREMO-VFA
 VIBIEMME-WEGA



CONTI

1460102 PRECISION FILTER 2 CUPS 12/18 g H24.5
 edge \varnothing 70 mm - height 24.5 mm - 641 holes
 circular holes with conical section
 Aisi steel 304 - food-safe certified
 matching tamper \varnothing 58 mm
 for GROUPS E61 ASCASO-BEZZERA-BFC-BIANCHI
 BRASILIA-DID-ECM-EXPOBAR-FAEMA-FIORENTATO-GRIMAC
 IBERITAL-LANUOVAERA-LASCALA-L'ORCHESTRALE
 QUALITYESPRESSO-ROCKET-ROYAL-SABITALIA-SANREMO-VFA
 VIBIEMME-WEGA
 for Coffee machine (CONTI)



CONTI

1460401 PRECISION FILTER 2 CUPS 14/20 g H26
 ULTRAFINE MODEL - MEMBRANE OF 170 μ m
 edge \varnothing 70 mm - height 26 mm - 565 holes
 circular holes with conical section
 Aisi steel 304 - food-safe certified
 matching tamper \varnothing 58 mm
 for COFFEE MACHINES ASTORIA-CASADIO-CONTI-ELEKTRA
 FRACINO-KEESVANDERWESTEN-MAGISTER-MARZOCCO
 N.SIMONELLI-PAVONI-PROMAC-RANCILIO-SLAYER-SYNESSO
 VICTORIA ARDUINO
 for GROUPS E61 ASCASO-BEZZERA-BFC-BIANCHI
 BRASILIA-DID-ECM-EXPOBAR-FAEMA-FIORENTATO-GRIMAC
 IBERITAL-LANUOVAERA-LASCALA-ORCHESTRALE
 QUALITYESPRESSO-ROCKET-ROYAL-SABITALIA-SANREMO-VFA
 VIBIEMME-WEGA



CONTI

1460103 PRECISION FILTER 2 CUPS 14/20 g H26.5
 edge \varnothing 70 mm - height 26.5 mm - 641 holes
 circular holes with conical section
 Aisi steel 304 - food-safe certified
 matching tamper \varnothing 58 mm
 for GROUPS E61 ASCASO-BEZZERA-BFC-BIANCHI
 BRASILIA-DID-ECM-EXPOBAR-FAEMA-FIORENTATO-GRIMAC
 IBERITAL-LANUOVAERA-LASCALA-L'ORCHESTRALE
 QUALITYESPRESSO-ROCKET-ROYAL-SABITALIA-SANREMO-VFA
 VIBIEMME-WEGA
 for Coffee machine (CONTI)



CONTI



Suitable for:

CONTI



1460114 PRECISION FILTER 2 CUPS 16/20 g H26
 edge \varnothing 70 mm - height 26 mm - 715 holes
 circular holes with conical section
 Aisi steel 304 - food-safe certified
 matching tamper \varnothing 58 mm
 for GROUPS E61 ASCASO-BEZZERA-BFC-BIANCHI
 BRASILIA-DID-ECM-EXPOBAR-FAEMA-FIORENZATO-GRIMAC
 IBERITAL-LANUOVAERA-LASCALA-L'ORCHESTRALE
 QUALITYESPRESSO-ROCKET-ROYAL-SABITALIA-SANREMO-VFA
 VIBIEMME-WEGA
 for COFFEE MACHINES SANREMO OPERA



CONTI

1460402 PRECISION FILTER 2 CUPS 18/22 g H28
 ULTRAFINE MODEL - MEMBRANE OF 170 μ m
 edge \varnothing 70 mm - height 28 mm - 565 holes
 circular holes with conical section
 Aisi steel 304 - food-safe certified
 matching tamper \varnothing 58 mm
 for COFFEE MACHINES ASTORIA-CASADIO-CONTI-ELEKTRA
 FRACINO-KEESVANDERWESTEN-MAGISTER-MARZOCCO
 N.SIMONELLI-PAVONI-PROMAC-RANCILIO-SLAYER-SYNESSO
 VICTORIA ARDUINO
 for GROUPS E61 ASCASO-BEZZERA-BFC-BIANCHI
 BRASILIA-DID-ECM-EXPOBAR-FAEMA-FIORENZATO-GRIMAC
 IBERITAL-LANUOVAERA-LASCALA-ORCHESTRALE
 QUALITYESPRESSO-ROCKET-ROYAL-SABITALIA-SANREMO-VFA
 VIBIEMME-WEGA



CONTI

1460104 PRECISION FILTER 2 CUPS 18/22 g H28.5
 edge \varnothing 70 mm - height 28.5 mm - 715 holes
 circular holes with conical section
 Aisi steel 304 - food-safe certified
 matching tamper \varnothing 58 mm
 for GROUPS E61 ASCASO-BEZZERA-BFC-BIANCHI
 BRASILIA-DID-ECM-EXPOBAR-FAEMA-FIORENZATO-GRIMAC
 IBERITAL-LANUOVAERA-LASCALA-L'ORCHESTRALE
 QUALITYESPRESSO-ROCKET-ROYAL-SABITALIA-SANREMO-VFA
 VIBIEMME-WEGA
 for Coffee machine (CONTI)



CONTI

1460080 PRECISION FILTER 2T 12/14 g H20
 edge \varnothing 70 mm - height 20 mm - 715 holes
 circular holes with tapered section
 Aisi 304 steel - food grade certificate
 matching tamper \varnothing 58 mm
 for KEES VAN DER WESTEN Spirit-Speedster models
 for groups type E61



CONTI

1460081 PRECISION FILTER 2T 14/16 g H22
 edge \varnothing 70 mm - height 22 mm - 715 holes
 circular holes with tapered section
 Aisi 304 steel - food grade certificate
 matching tamper \varnothing 58 mm
 for KEES VAN DER WESTEN Spirit-Speedster models
 for groups type E61



CONTI

1460082 PRECISION FILTER 2T 16/18 g H24
 edge \varnothing 70 mm - height 24 mm - 715 holes
 circular holes with tapered section
 Aisi 304 steel - food grade certificate
 matching tamper \varnothing 58 mm
 for KEES VAN DER WESTEN Spirit-Speedster models
 for groups type E61



CONTI

1460083 PRECISION FILTER 2T 18/20 g H26
 edge \varnothing 70 mm - height 26 mm - 715 holes
 circular holes with tapered section
 Aisi 304 steel - food grade certificate
 matching tamper \varnothing 58 mm
 for KEES VAN DER WESTEN Spirit-Speedster models
 for groups type E61



CONTI

Suitable for:

1460084 PRECISION FILTER 2T 20/22 g H28
 edge \varnothing 70 mm - height 28 mm - 715 holes
 circular holes with tapered section
 Aisi 304 steel - food grade certificate
 matching tamper \varnothing 58 mm
 for KEES VAN DER WESTEN Spirit-Speedster models
 for groups type E61



CONTI

1160251 1 CUP FILTER 6 g \varnothing 70x20.5 mm
 edge \varnothing 70 mm - height 20.5 mm
 for Coffee machine (CONTI) CLUB - XEOS2



CONTI 016840

1160335 1 CUP FILTER 7 g \varnothing 70x24,5 mm
 edge \varnothing 70 mm - height 24.5 mm



CONTI 016840

1160281 1-CUP FILTER 7 gr - BASIC QUALITY
 edge \varnothing 70 mm - height 24.5 mm



CONTI

1160345 2 CUPS FILTER 18/21 gr \varnothing 70x28 mm
 edge \varnothing 70 mm - height 28 mm



CONTI 27190

1160028 3 CUPS FILTER 23 gr \varnothing 70x30 mm
 edge \varnothing 70 mm - height 30 mm
 for Coffee machine (CONTI) CLUB - TWIN STAR2
 XEOS2



CONTI 227800

Coffee measuring spoons

1069001 PLASTIC MEASURING SPOON 20 ml
 overall length 195 mm



CONTI

1069002 STAINLESS STEEL MEASURING SPOON 20 ml
 material stainless steel AISI304
 overall length 195 mm



CONTI



Suitable for:

CONTI



Suitable for:

Coffee spouts

1022522 ADJUSTABLE LONG DOUBLE SPOUT \varnothing 3/8"



CONTI

1022523 ADJUSTABLE SHORT DOUBLE SPOUT \varnothing 3/8"



CONTI

1022502 DOUBLE SPOUT \varnothing 3/8"
for Coffee machine (CONTI)



CONTI

1022532 DOUBLE SPOUT M18x1.5 mm
for Coffee machine (CONTI)



CONTI

1022521 LONG DOUBLE SPOUT \varnothing 3/8"



CONTI

1022506 SPOUT DOUBLE \varnothing 3/8"
for Coffee machine (CONTI) TWIN STAR2



CONTI 4071681

1165256 SPOUT DOUBLE \varnothing 3/8" NANOTECH
non-stick NANOQUARTZ coating
increases the resistance to corrosion
and to chemical reaction
Thanks to the internal and external coating
the surfaces are completely non-stick,
the water flow is constant and uniform.
food-safe certified



CONTI

1022501 SPOUT 1 CUP \varnothing 3/8"
for Coffee machine (CONTI)
since 1/11/03 TWIN STAR2



CONTI 405145

1022550 SPOUT 1 CUP \varnothing 3/8"



CONTI

1022504 SPOUT 1 CUP CLOSED \varnothing 3/8"



CONTI

Suitable for:

1022503 SPOUT 1 CUP STRAIGHT \varnothing 3/8"
for Coffee machine (CONTI) CLUB - TWIN STAR2
XEOS2



CONTI

Suitable for:

1022551 TRIPLE SPOUT \varnothing 3/8"



CONTI

5031337 1-CUP STRAIGHT SHORT SPOUT \varnothing 3/8"



CONTI

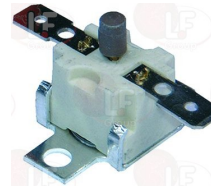
Contact thermostats

1444016 CONTACT THERMOSTAT 160°C 16A 250V
with manual reset
for Coffee machine (CONTI) CLUB - TWIN STAR2
XEOS2



CONTI 410634

1444017 CONTACT THERMOSTAT 215°C
16A - 250V
for SSK2-TWIN STAR 2



CONTI 410633

1443017 CONTACT THERMOSTAT 85°C M4
for Coffee machine (CONTI) TWIN STAR2



CONTI 411308

Contactors

3446556 CONTACTOR LOVATO BG0910A
coil 9A 230V 50/60Hz 4Kw
3 normally open contacts
1 normally open auxiliary contact



CONTI MAZ019



Suitable for:

CONTI



Suitable for:

Detergents

3092543 COFFEE CLEAN DETERGENT 570 g
detergent for COFFEE MACHINES
suitable for the cleaning of filter holders
for grease and coffee stains on sauser and cups



CONTI

3092355 DETERGENT CAPPUCCINO PERFECT 1 L
to clean milk frothers
please see the attached documentation for use



CONTI

3092351 DETERGENT COFFEE CLEAN
package with 15 bags 20 g
for coffee groups cleaning



CONTI

3092350 DETERGENT COFFEE CLEAN TABLET 2.5 g
jar with 60 tablets 2.5 g
for coffee groups cleaning



CONTI

3092143 DETERGENT COFFEE CLEAN 900 g
detergent for COFFEE MACHINES
suitable for cleaning filters and filter holders
for grease and coffee stains on cups and saucers
please see the attached documentation for use



CONTI

3092353 SCALE REMOVER SCALE CLEAN
package with 12 bags 25 g
for the cleaning of BABY coffee machines
please see the attached documentation for use



CONTI

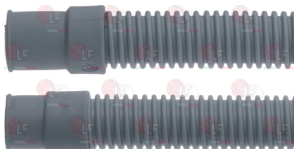
3092352 SCALE REMOVER SCALE CLEAN 1 kg
acid descaler for aluminium surfaces
copper, brass, iron



CONTI

Drain hoses

3450171 DRAIN HOSE ø 25x1500 mm
sleeves internal ø 20-22 mm



CONTI 411812

1449270 DRAIN HOSE ELISPIR ø 12x18 mm - 30 m
alimentary



CONTI



1449670 DRAIN HOSE ELISPIR \varnothing 12x18 mm - 5 m
alimentary



CONTI

Suitable for:

1449271 DRAIN HOSE ELISPIR \varnothing 14x20 mm - 30 m
alimentary



CONTI

1449671 DRAIN HOSE ELISPIR \varnothing 14x20 mm - 5 m
alimentary



CONTI

1449272 DRAIN HOSE ELISPIR \varnothing 16x23 mm - 30 m
alimentary



CONTI

1449672 DRAIN HOSE ELISPIR \varnothing 16x23 mm - 5 m
alimentary



CONTI

1449273 DRAIN HOSE ELISPIR \varnothing 18x25 mm - 30 m
alimentary



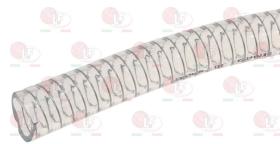
CONTI

1449673 DRAIN HOSE ELISPIR \varnothing 18x25 mm - 5 m
alimentary



CONTI

1449274 DRAIN HOSE ELISPIR \varnothing 20x27 mm - 30 m
alimentary



CONTI

1449674 DRAIN HOSE ELISPIR \varnothing 20x27 mm - 5 m
alimentary



CONTI

1449255 DRAIN HOSE ELISPIR \varnothing 25x33 mm
sale per linear metre



CONTI

1449256 DRAIN HOSE ELISPIR \varnothing 30x38 mm
sale per linear metre



CONTI



Suitable for:

CONTI



Suitable for:

Drain tanks

1527032 DRAIN TANK
for Coffee machine (CONTI) CLASSICA - CONTICLUB
ESSIKA - SSK2 - XEOS



CONTI 405386

1527033 OUTLET MANIFOLD
for Coffee machine (CONTI) CLASSICA - CONTICLUB
ESSIKA - SSK2 - XEOS



CONTI 408160

Electrical cables

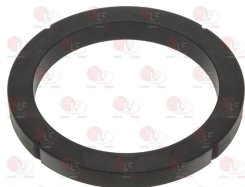
1050006 16-POLE FLAT CABLE 1400 mm
for Coffee machine (CONTI) CLUB



CONTI 409840

Filter holder gaskets

1186676 FILTER HOLDER GASKET \varnothing 72x56x8.5 mm
with external cuts
for Coffee machine (CONTI) CLUB - XEOS2



CONTI 002700

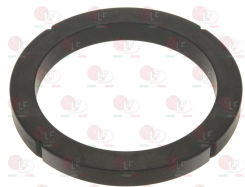
CONTI 002710

7117171 FILTER HOLDER GASKET \varnothing 72x56x8.7 mm
with external cuts
ORIGINAL



CONTI 002711

1186711 FILTER HOLDER GASKET \varnothing 72x56x9 mm
4 external cuts
for Coffee machine (CONTI) TWIN STAR2



CONTI 2700

7115388 GASKET FOR FILTER HOLDER \varnothing 72x56x8.3 mm
with external cuts
ORIGINAL



CONTI 002700

Filter holder handles

1241269 FILTER HOLDER HANDLE M10



CONTI

1241502 FILTER HOLDER HANDLE M10



CONTI



Suitable for:

CONTI



1241505 FILTER HOLDER HANDLE M10



CONTI

Suitable for:

5054506 FILTER HOLDER HANDLE M10 RED POLISHED



CONTI

1141006 FILTER HOLDER HANDLE M10 SOFT



CONTI

1141004 FILTER HOLDER HANDLE M10 WALNUT WOOD



CONTI

5083515 FILTER HOLDER HANDLE M10 WALNUT WOOD



CONTI

1241169 FILTER HOLDER HANDLE M12



CONTI

1241501 FILTER HOLDER HANDLE M12



CONTI 410001

1241504 FILTER HOLDER HANDLE M12



CONTI 410001

5054505 FILTER HOLDER HANDLE M12 RED POLISHED



CONTI

1141003 FILTER HOLDER HANDLE M12 WALNUT WOOD



CONTI

5055983 FILTER HOLDER HANDLE M12 WALNUT WOOD



CONTI

1141007 FILTER HOLDER HANDLE M124 SOFT



CONTI



Suitable for:

5051751 FILTER HOLDER HANDLE WHITE M10



CONTI

CONTI



Suitable for:

5051102 FILTER HOLDER HANDLE WHITE M12



CONTI

Filter holder springs

1250333 FILTER LOCKING SPRING \varnothing 1.30 mm ST.STEEL



CONTI

1250338 FILTER LOCKING SPRING \varnothing 1.40 mm ST.STEEL



CONTI

1250101 FILTER LOCKING SPRING \varnothing 1,00 mm INOX



CONTI

CONTI 016711

1250002 S/STEEL FILTER LOCKING SPRING \varnothing 1.20 mm



CONTI

Filter holders for coffee machines

1165162 BARLEY/COFFEE PODS FILTER HOLDER
wings 6.5 mm



CONTI

1165039 BOTTOMLESS FILTER HOLDER CONTI
wings 8 mm



CONTI

1165101 FILTER HOLDER F/COFFEE MACHINES CONTI
spout connection \varnothing 3/8" - handle connection M12
wings 7.5 mm
for Coffee machine (CONTI) CLUB - XEOS - XEOS2



CONTI 4056791

1165500 FILTERHOLDER WITH THERMOMANOMETER
measures water temperature and outlet pressure
from the brew group
temperature scale 0-120°C / 0-240°F
pressure scale 0-16 bar / 0-200 psi
with outlet ballvalve
fins 7.2 mm
for Coffee machine (CONTI)



CONTI



1165019 1 CUP FILTER HOLDER ASSEMBLY CONTI
 spout connection \varnothing 3/8" - handle connection M12
 wings 7.4 mm - with spring - without filter



CONTI 409998

Suitable for:

1165020 2 CUPS FILTER HOLDER ASSEMBLY CONTI
 spout connection \varnothing 3/8" - handle connection M12
 wings 7.4 mm - with spring - without filter



CONTI 4099991+016780

Filters

1160346 WATER FILTER \varnothing 14 mm



CONTI 327154

1160338 WATER FILTER \varnothing 8x13 mm
 for Coffee machine (CONTI) CLUB - XEOS2



CONTI 403458

Fittings

1349191 "L" FITTING \varnothing 3/8"M-3/8"M

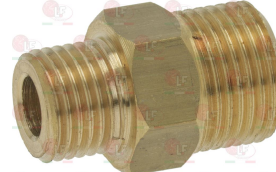


CONTI 409833

CONTI 4098331+411861

CONTI 411861+4098331

1349112 FITTING \varnothing 1/4"M-3/8"M



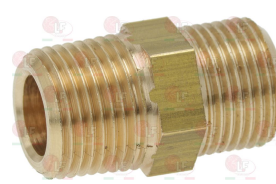
CONTI

1349103 FITTING \varnothing 3/8"M-3/8"M
 for Coffee machine (CONTI) CLUB - SK2 - SSK2
 TWIN STAR2



CONTI 410624

1349100 PUMP CONNECTION \varnothing 3/8"M NPT-3/8"M GAS
 3/8"M CONICAL(NPT)- 3/8"M STRAIGHT (GAS)
 made of brass CW510L (OT57)
 low lead content
 for Coffee machine (CONTI) XEOS2



CONTI 755200

1349153 T-FITTING \varnothing 1/4"M-1/4"M-1/4"M
 for Coffee machine (CONTI) SK2 - SSK2



CONTI 409830



Suitable for:

CONTI



Suitable for:

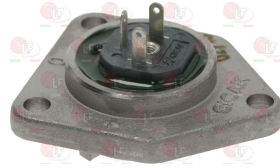
Flowmeters

1455033 CONNECTOR FEMALE SMALL
for volumetric flowmeter



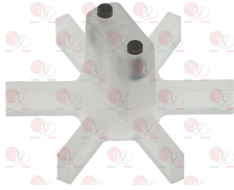
CONTI

3455333 COVER-HEAD FOR VOLUMETRIC FLOW METER LED



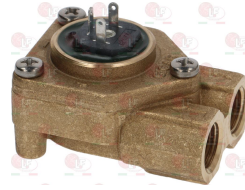
CONTI

1455032 IMPELLER GICAR



CONTI

1455005 VOLUMETRIC FLOW METER GICAR
fittings \varnothing 1/4"FF - nozzle 1.15 mm
for Coffee machine (CONTI) SK2

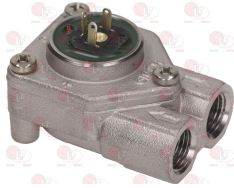


CONTI 403466

CONTI 403466/1

CONTI 403466V

1455067 VOLUMETRIC FLOW METER GICAR
connections \varnothing 1/4"FF - orifice 1.15 mm - NSF



CONTI LF-1455351

1455033 CONNECTOR FEMALE SMALL
for volumetric flowmeter



CONTI

3455333 COVER-HEAD FOR VOLUMETRIC FLOW METER LED



CONTI

1455032 IMPELLER GICAR



CONTI

1186631 O-RING 02112 VITON
ring thickness 1.78 mm - internal \varnothing 28.30 mm



CONTI



Gaskets and seals

3786543 ASBESTOS FREE FLAT GASKET \varnothing 18x12x1 mm
for Coffee machine (CONTI) CLUB - TWIN STAR2
XEOS2



CONTI 91500

1186235 BLIND GASKET \varnothing 14x4 mm
for Coffee machine (CONTI) CLASSICA PMS
HYDROMATIC - PISTOMATIC - VOLUTRONIC



CONTI 181100

1186177 CONICAL PTFE SEAL \varnothing 13.5x7.5x3.5 mm
for water/steam pipe
for Coffee machine (CONTI) CLUB - TWIN STAR2
XEOS2



CONTI 401320

1186811 COPPER FLAT GASKET \varnothing 10x6x1 mm



CONTI 406709

1186268 COPPER FLAT GASKET \varnothing 13x8x1 mm
for Coffee machine (CONTI) XEOS2



CONTI 403475

1186114 COPPER FLAT GASKET \varnothing 17x13.1x1 mm
for Coffee machine (CONTI) CLUB - XEOS2



CONTI 403459

1186619 COPPER FLAT GASKET \varnothing 18x14x1.5 mm



CONTI

1186167 COPPER FLAT GASKET \varnothing 21.2x18x1.5 mm



CONTI 181300

1186620 COPPER FLAT GASKET \varnothing 22x17x1.5 mm



CONTI

1186214 COPPER FLAT GASKET \varnothing 26x21.5x1.5 mm



CONTI 411795

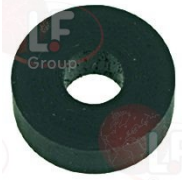


Suitable for:

CONTI



1186161 FLAT EPDM GASKET \varnothing 13x4x4 mm
for Coffee machine (CONTI) TWIN STAR2 - XEOS2



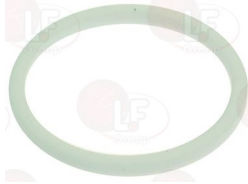
CONTI 407502

1186119 PTFE FLAT GASKET \varnothing 17.3x12x2 mm
for Coffee machine (CONTI) CLUB - XEOS2



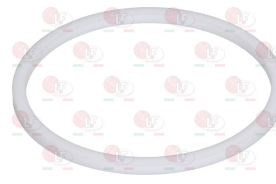
CONTI 403081

3786512 PTFE FLAT GASKET \varnothing 40x34x3 mm
for heating element
for Coffee machine (CONTI) CLUB - XEOS



CONTI 408714

1186155 PTFE FLAT GASKET \varnothing 76x68.4x3 mm
for Coffee machine (CONTI) XEOS2



CONTI 407709

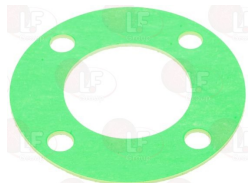
1186186 ROUND COPPER GASKET \varnothing 23x17x3 mm
for Coffee machine (CONTI) CLUB - XEOS2



CONTI

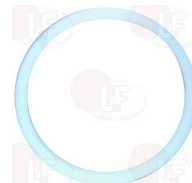
Gaskets for coffee group

1186382 COFFEE GROUP GASKET \varnothing 88x48x2 mm
free of asbestos
for Coffee machine (CONTI) CLASSICA PM
CLASSICA SA - CLUB - XEOS2



CONTI 18900

1786010 GROUP GASKET \varnothing 56.8x49.4x3.2 mm
PTFE
for Coffee machine (CONTI) CLUB - XEOS2



CONTI 407708

Heating elements

1455014 HEATING ELEMENT 2500W 230V
immersed length 200 mm - 2 poles
connection 1"
for Coffee machine (CONTI) CLUB



CONTI 406919

CONTI 411004

CONTI 4110041

3786512 PTFE FLAT GASKET \varnothing 40x34x3 mm
for heating element
for Coffee machine (CONTI) CLUB - XEOS



CONTI 408714

Suitable for:

1755391 HEATING ELEMENT 2800/3050W 230/240V
 immersed length 175 mm - 6 poles
 distance between the holes 67 mm
 flange \varnothing 110/94 mm
 for coffee machines with 1/2 groups



CONTI

CONTI LF-1755392

Suitable for:

1186155 PTFE FLAT GASKET \varnothing 76x68.4x3 mm
 for Coffee machine (CONTI) XEOS2



CONTI 407709

1455013 HEATING ELEMENT 3400W 230V
 immersed length 535 mm - 2 poles
 connection \varnothing 1"
 for Coffee machine (CONTI) CLUB



CONTI 411431

3786512 PTFE FLAT GASKET \varnothing 40x34x3 mm
 for heating element
 for Coffee machine (CONTI) CLUB - XEOS



CONTI 408714

1455047 HEATING ELEMENT 3600W 230V
 immersed length 330 mm - 2 poles
 connection \varnothing 1"



CONTI 425030

3786512 PTFE FLAT GASKET \varnothing 40x34x3 mm
 for heating element
 for Coffee machine (CONTI) CLUB - XEOS



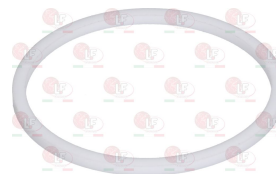
CONTI 408714

1755393 HEATING ELEMENT 4000/4350W 230/240V
 immersed length 430 mm - 6 poles
 distance between the holes 67 mm
 flange \varnothing 110/64 mm
 for coffee machines with 3 groups
 for Coffee machine (CONTI) XEOS2



CONTI 165900

1186155 PTFE FLAT GASKET \varnothing 76x68.4x3 mm
 for Coffee machine (CONTI) XEOS2



CONTI 407709



Suitable for:

CONTI



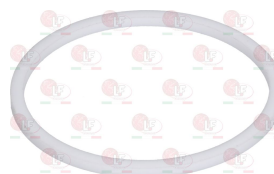
1755394 HEATING ELEMENT 6000W 220/380V
 immersed length 430 mm - 6 poles
 distance between the holes 67 mm
 flange \varnothing 110/94 mm
 for coffee machines with 4 groups



CONTI

Suitable for:

1186155 PTFE FLAT GASKET \varnothing 76x68.4x3 mm
 for Coffee machine (CONTI) XEOS2



CONTI 407709

Hydraulic piping

1449685 SILICONE HOSE \varnothing 6x10 SHORE 60 - 5 m
 alimentary



CONTI 405621

Indicator lights

1221022 INDICATOR LIGHT GREEN \varnothing 8 mm
 flush mounting with fastening plate
 for Coffee machine (CONTI) CLUB - XEOS



CONTI 408322

1221023 INDICATOR LIGHT RED \varnothing 8 mm
 flush mounting with fastening plate
 for Coffee machine (CONTI) CLUB - TWIN STAR2
 XEOS2



CONTI 408323

Inlet hoses

1449737 FLEX HOSE \varnothing 3/8" Fc x CFc 2000 mm
 EPDM hose covered in stainless steel
 hose external \varnothing 12 mm
 max temperature 90°C
 max pressure 10 bar



CONTI 4116221

1449710 FLEX HOSE \varnothing 3/8" Fp x Fc 300 mm
 EPDM hose covered in stainless steel
 hose external \varnothing 12 mm
 max temperature 90°C
 max pressure 10 bar



CONTI 410642

Suitable for:

Suitable for:

1449732 FLEX HOSE \varnothing 3/8"Fc x CFc 500 mm
 EPDM hose covered in stainless steel
 hose external \varnothing 12 mm
 max temperature 90°C
 max pressure 10 bar



CONTI 4116241

Ironmongery (screws,nuts,washers)

1455034 CYLINDER HEAD SCREW M4x10
 stainless steel - with hexagon socket
 UNI 5931 - DIN 912 - ISO 4762



CONTI 401983

1184012 CYLINDER HEAD SCREW M5x10
 stainless steel - with hexagon socket
 UNI 9327 - DIN 7984



CONTI 071600

9528041 CYLINDER HEAD SCREW M6x20
 stainless steel - with hexagon socket
 UNI 5931 - DIN 912 - ISO 4762
 \varnothing head 10 mm - overall length 26 mm



CONTI 071100

1184804 CYLINDER HEAD SCREW M6x8
 stainless steel - with hexagon socket
 UNI 5931 - DIN 912 - ISO 4762



CONTI 406708

3528010 FLAT WASHER M6
 \varnothing internal/external 6.4/12 mm - thickness 1.6 mm
 st./steel - UNI 6592 - DIN 125 A - ISO 7089



CONTI 375500

1528630 HEXAGON HEAD SCREW M5x10
 stainless steel - UNI 5739 - DIN 933 - ISO 4017



CONTI 401010

1528030 MID HEXAGONAL NUT M6
 stainless steel - UNI 5588 - DIN 934 - ISO 4032



CONTI 405550



Suitable for:

CONTI



Suitable for:

Knobs

1241561 ELASTIC RING FOR KNOB
width 9 mm – length 20 mm
height 12 mm



CONTI

1225407 WATER/STEAM TAP KNOB
for Coffee machine (CONTI) XEOS2



CONTI 410099

1241367 WATER/STEAM TAP KNOB
with spring housing
hole for D-shaped pin \varnothing 6x8 mm
for Coffee machine (CONTI) CLUB - SSK2



CONTI 408156

CONTI 4081561

Level balls

1323003 STAINLESS STEEL BALL \varnothing 8 mm
for Coffee machine (CONTI) CLASSICA - CLUB
TWIN STAR2 - XEOS2



CONTI 403473

1323416 STAINLESS STEEL BALL \varnothing 10 mm
for Coffee machine (CONTI) CLASSICA - HYDROMATIC
PISTOMATIC - VOLUTRONIC - XEOS



CONTI 219200

Level gauges

1186269 FLAT BRASS WASHER \varnothing 18x12x1 mm
for level glass



CONTI

1520580 LEVEL GLASS \varnothing 11x145 mm SILK-SCREEN PRIN



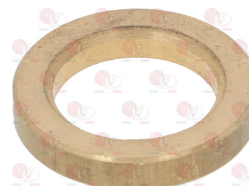
CONTI

1520576 LEVEL GLASS \varnothing 11x184 mm
for Coffee machine (CONTI) CLUB - SK2 - SSK2
TWIN STAR2 - XEOS2



CONTI 4500

1186287 WASHER \varnothing 18x12x3 mm
for level glass



CONTI



Level probes

3341069 LEVEL PROBE \varnothing 1/4"M-75 mm
for Coffee machine (CONTI) CLUB - SK2 - SSK2



CONTI 408782

Lip seals

1186166 LIP SEAL \varnothing 14x7x10,5 mm
for Coffee machine (CONTI) TWIN STAR2 - XE0S2



CONTI 407501

1186383 LIP SEAL \varnothing 61x47x6.3 mm
for Coffee machine (CONTI) CLASSICA PM
CLASSICA SA



CONTI 200510

Non-return and expansion valves

1523034 NON-RETURN VALVE \varnothing 1/8"M-1/8"M
for Coffee machine (CONTI) TWIN STAR2



CONTI 4030652

1523514 NON-RETURN VALVE \varnothing 1/4"F-1/4"M
for Coffee machine (CONTI) CLASSICA - CONTICLUB
SSK2 - XE0S



CONTI 409835

1523033 NON-RETURN VALVE \varnothing 1/4"M-1/4"M
for Coffee machine (CONTI) CLUB



CONTI 403470

1523519 NON-RETURN VALVE \varnothing 1/4"M-3/8"M
for Coffee machine (CONTI) CONTICLUB - SSK2
TWIN STAR2 - XE0S



CONTI 409125



Suitable for:

CONTI



Suitable for:

O-Ring and ORM gaskets

1186854 O-RING EPDM R5
ring thickness 1.9 mm - internal \varnothing 5.7 mm



CONTI 087520

3060608 O-RING O3050 EPDM
ring thickness 2.62 mm - internal \varnothing 12.37 mm
for Coffee machine (CONTI) CLUB - TWIN STAR2 XEOS2



CONTI 55300

1786297 O-RING R10 EPDM
ring thickness 2.7 mm - internal \varnothing 12.1 mm



CONTI 055300

1186252 O-RING 0040-20 EPDM
ring thickness 2.0 mm - internal \varnothing 4.0 mm
for Coffee machine (CONTI) CLUB - XEOS2



CONTI 403457

1186805 O-RING 0115 EPDM
ring thickness 2.62 mm - internal \varnothing 11.91 mm



CONTI

3243086 O-RING 0117 EPDM
ring thickness 2.62 mm - internal \varnothing 13.10 mm



CONTI

1186414 O-RING 0119 EPDM
ring thickness 2.62 mm - internal \varnothing 15.08 mm



CONTI

1186438 O-RING 0132 EPDM
ring thickness 2.62 mm - internal \varnothing 23.81 mm



CONTI

1186163 O-RING 02010 EPDM
ring thickness 1.78 mm - internal \varnothing 2.57 mm



CONTI

1186611 O-RING 02025 RED SILICONE
ring thickness 1.78 mm - internal \varnothing 6.07 mm
for Coffee machine (CONTI) CLUB - TWIN STAR2 XEOS2



CONTI

Suitable for:

1186612 O-RING 02025 VITON
ring thickness 1.78 mm - internal \varnothing 6.07 mm
for Coffee machine (CONTI) CLUB - TWIN STAR2
XEOS2



CONTI 407500

Suitable for:

1186803 O-RING 02037 EPDM
ring thickness 1.78 mm - internal \varnothing 9.25 mm



CONTI 219100

1186352 O-RING 02050 EPDM
ring thickness 1.78 mm - internal \varnothing 12.42 mm



CONTI

3243266 O-RING 02081 EPDM
ring thickness 1.78 mm - internal \varnothing 20.35 mm



CONTI

1186631 O-RING 02112 VITON
ring thickness 1.78 mm - internal \varnothing 28.30 mm



CONTI

1186236 O-RING 03043 VITON
ring thickness 2.62 mm - internal \varnothing 10.78 mm



CONTI

3186860 O-RING 03056 EPDM
ring thickness 2.62 mm - internal \varnothing 13.95 mm
EX OR 0118
for Coffee machine (CONTI) CLUB - TWIN STAR2
XEOS2



CONTI 61200

1786071 ORM GASKET 0060-10 EPDM
ring thickness 1.0 mm - internal \varnothing 6.0 mm



CONTI 410838

1186157 ORM GASKET 0120-20 VITON
ring thickness 2.0 mm - internal \varnothing 12.0 mm



CONTI 409631

1186381 ORM GASKET 0680-20 EPDM
ring thickness 2.0 mm - internal \varnothing 68.0 mm
for Coffee machine (CONTI) CLASSICA PM
CLASSICA SA



CONTI 173100



Suitable for:

CONTI



Suitable for:

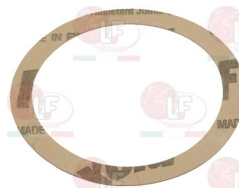
Paper seals

1190011 PAPER SEAL \varnothing 72x58x0.8 mm



CONTI

1190001 PAPER SHIM \varnothing 73x59x0.8 mm



CONTI

1190002 RUBBER SHIM \varnothing 73x59x1 mm EPDM



CONTI

Pressure gauges

1245301 BOILER PRESSURE GAUGE \varnothing 62 mm 0÷3 bar
single scale 0÷3 bar - connection \varnothing 1/4"M
for Coffee machine (CONTI) CLASSICA - CLUB



CONTI 404325

1242005 BOILER-PUMP PRESSURE GAUGE \varnothing 63 mm
double scale 0÷2.5/0÷16 bar - connections \varnothing 1/8"M
rim \varnothing 70 mm - body \varnothing 63 mm
for Coffee machine (CONTI) XEOS2



CONTI 407710

1242007 BOILER-PUMP PRESSURE GAUGE \varnothing 63 mm
double scale 0÷4/0÷16 bar - connections \varnothing 1/8"M
rim \varnothing 70 mm - body \varnothing 63 mm
for Coffee machine (CONTI) TWIN STAR2



CONTI 410888

1245532 BOILER-PUMP PRESSURE GAUGE \varnothing 63 mm
double scale 0÷2.5/0÷15 bar - connections \varnothing 1/8"M
rim \varnothing 70 mm - body \varnothing 63 mm



CONTI

1245300 PRESSURE GAUGE PUMP \varnothing 62 mm 0÷16 bar
single scale 0÷16 bar - connections \varnothing 1/4"M
for Coffee machine (CONTI) CLASSICA - CLUB



CONTI



Pressure switches

1320533 MEMBRANE KIT FOR PRESSURE SWITCH
model P302-6 ø 55 mm



CONTI

1320541 PRESSURE SWITCH PARKER 3-POLES 25A
CEI-UL approved
connection ø 1/4"
scale 0.5÷1.4 bar
differential 0.18÷0.03 bar
maximum pressure 2.1 bar
maximum temperature 140°C



CONTI

1320531 PRESSURE SWITCH P302/6 3-POLES 30A
CE-SEV-ASE-UL approved
ISO 228 G connection 1/4" M for pipe ø 4x6 mm
adjustable scale 0.5÷1.4 bar
fixed differential 0.15 (± 0.06) bar
fluid temperature max :140°C
max contact load : 220V 7KW (30A)
400V 12KW (30A)



CONTI

1320533 MEMBRANE KIT FOR PRESSURE SWITCH
model P302-6 ø 55 mm



CONTI

Relays

1351012 STATIC RELAY 12V
for Coffee machine (CONTI) TWIN STAR - TWIN STAR2
XEOS DISPLAY



CONTI 466092

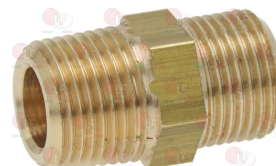
Rotary vane pumps

1330012 ROTARY VANE PUMP PROCON ø 3/8" NPT
clamp connection
flow rate 180 l/h
with balanced bypass
connection ø 3/8" conical NPT
NSF certified



CONTI

1349100 PUMP CONNECTION ø 3/8" M NPT-3/8" M GAS
3/8" M CONICAL (NPT)- 3/8" M STRAIGHT (GAS)
made of brass CW510L (OT57)
low lead content
for Coffee machine (CONTI) XEOS2

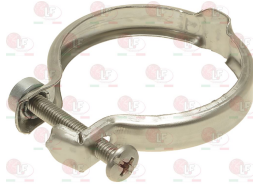


CONTI 755200



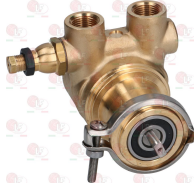
Suitable for:

1168011 STAINLESS STEEL CLAMP FOR FLANGE PUMP



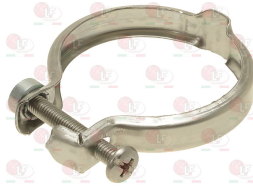
CONTI

1330001 ROTARY VANE PUMP ROTOFLOW \varnothing 3/8" NPT
clamp connection
flowrate 100 L/h
equipped with balanced bypass
connection \varnothing 3/8" conical NPT
NSF - WRAS certified
model STANDARD
length without pin 82.5 mm
for Coffee machine (CONTI) CLUB



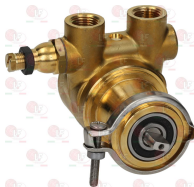
CONTI 4057225

1168011 STAINLESS STEEL CLAMP FOR FLANGE PUMP



CONTI

1330101 ROTARY VANE PUMP ROTOFLOW \varnothing 3/8" NPT
flange connection
flowrate 100 L/h
with balanced by-pass
fitting \varnothing 3/8" conical NPT
NSF approved
model STANDARD
length without pin 82.5 mm
PUMP VERSION ECO-BRASS
made of BRASS CW510L (OT57)
low in lead $\leq 0.25\%$



CONTI

1168011 STAINLESS STEEL CLAMP FOR FLANGE PUMP



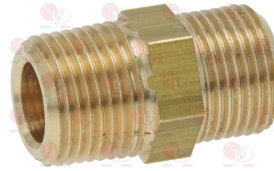
CONTI

CONTI

Suitable for:

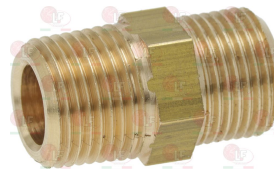


1349100 PUMP CONNECTION \varnothing 3/8" M NPT-3/8" M GAS
3/8" M CONICAL (NPT)- 3/8" M STRAIGHT (GAS)
made of brass CW510L (OT57)
low lead content
for Coffee machine (CONTI) XEOS2



CONTI 755200

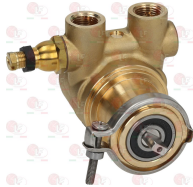
1349100 PUMP CONNECTION \varnothing 3/8" M NPT-3/8" M GAS
3/8" M CONICAL (NPT)- 3/8" M STRAIGHT (GAS)
made of brass CW510L (OT57)
low lead content
for Coffee machine (CONTI) XEOS2



CONTI 755200

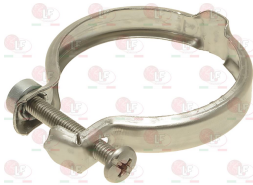
1330102 ROTARY VANE PUMP ROTOFLOW \varnothing 3/8" NPT

flange connection
 flowrate 200 L/h
 with balanced by-pass
 fitting \varnothing 3/8" conical NPT
 NSF approved
 model STANDARD
 length without pin 82.5 mm
 PUMP VERSION ECO-BRASS
 made of BRASS CW510L (OT57)
 low in lead $\leq 0.25\%$



CONTI

1168011 STAINLESS STEEL CLAMP FOR FLANGE PUMP



CONTI

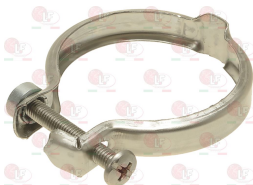
1330040 VOLUMETRIC PUMP ODE \varnothing 3/8" GAS/BSP

TECNOPLIMER PPS body
 clamp connection
 flowrate 150 litri/h
 with balanced bypass
 fittings \varnothing 3/8" GAS/BSP st. steel
 NSF approved - FOOD-SAFE



CONTI

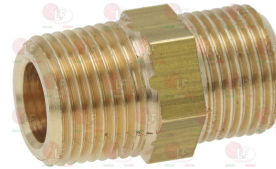
1168011 STAINLESS STEEL CLAMP FOR FLANGE PUMP



CONTI

Suitable for:

**1349100 PUMP CONNECTION \varnothing 3/8" M NPT-3/8" M GAS
 3/8" M CONICAL (NPT)- 3/8" M STRAIGHT (GAS)
 made of brass CW510L (OT57)
 low lead content
 for Coffee machine (CONTI) XEOS2**



CONTI 755200

**1349103 FITTING \varnothing 3/8" M-3/8" M
 for Coffee machine (CONTI) CLUB - SK2 - SSK2
 TWIN STAR2**



CONTI 410624



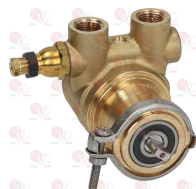
Suitable for:

CONTI



5109998 VOLUMETRIC PUMP ROTOFLOW \varnothing 3/8" GAS

clamp fitting
capacity 200 L/h
with balanced by-pass
fitting \varnothing 3/8" GAS/BSP
NSF certified
model STANDARD
length without pin 82.5 mm
VERSION OF THE PUMP ECO-BRASS
made of brass CW510L (OT57)
low in lead $\leq 0.25\%$



CONTI

Suitable for:

1168011 STAINLESS STEEL CLAMP FOR FLANGE PUMP



CONTI

Rubberpieces for steam-water taps

1186339 BURN PREVENTING PIPE HANDGRIP \varnothing 8 mm
for Coffee machine (CONTI) CLUB - TWIN STAR2
XEOS2



CONTI

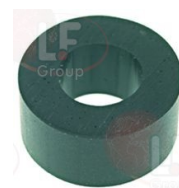
Seals for level glasses

1186270 FLAT EPDM GASKET \varnothing 18x11x4 mm
for level glass



CONTI

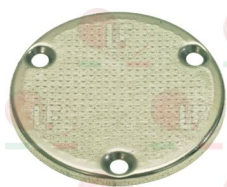
1186221 FLAT EPDM GASKET \varnothing 19x11.5x10 mm
for level glass
for Coffee machine (CONTI) CLUB - TWIN STAR2
XEOS2



CONTI 4700

Shower screens for brew group

1081102 SHOWER \varnothing 57 mm



CONTI 072200

1081101 SHOWER SCREEN \varnothing 58.5 mm
for Coffee machine (CONTI) CLUB - XEOS2
for Coffee machine (CONTI) CC100 - X-ONE



CONTI 355900



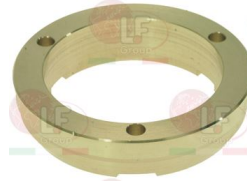
Showerholder diffusers

1086005 SHOWER HOLDER DIFFUSER
external \varnothing 56.5 mm - height 9 mm - hole M5
for Coffee machine (CONTI) CLUB - XEOS2



CONTI 404740

1086508 SHOWER HOLDER DIFFUSER
external \varnothing 57 mm - height 13 mm - hole \varnothing 43 mm
for Coffee machine (CONTI) CLASSICA PM



CONTI 172030

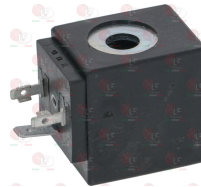
Solenoid valves

1120332 COIL LUCIFER/PARKER 220/240V 9W 50Hz
width 32 mm - height 38 mm
length 43 mm
for Coffee machine (CONTI) CLUB - TWIN STAR2
XEOS2



CONTI

1120820 COIL ODE BDA08223DS 220/230V 50/60Hz
14.5 VA
width 30 mm - height 39 mm
length 42 mm
for Coffee machine (CONTI) CLUB - TWIN STAR2
XEOS2



CONTI

1120361 COIL PARKER YB09 220/230V 9W 50/60Hz
width 34 mm - height 32 mm
length 42 mm



CONTI

1120336 COIL PARKER ZB09 9W 110/120V 50/60Hz
width 34 mm - height 33 mm
length 43 mm



CONTI

3120032 COIL PARKER ZB09 9W 220/240V 50/60Hz
width 34 mm - height 33 mm
length 43 mm
for Coffee machine (CONTI) CLUB - TWIN STAR2
XEOS2



CONTI

3120033 COIL PARKER ZB09 9W 24V 50/60Hz
width 34 mm - height 33 mm
length 43.5 mm



CONTI



Suitable for:

3120034 CONNECTOR LARGE F-FITTING
for coils



CONTI

1120805 SOLENOID VALVE ODE 3 WAYS 230V 8W
RUBY seal - orifice \varnothing 1.5 mm
TAPERED fitting
with coil BDA08223DS 220/230V 50/60Hz 8W
fluid temperature $-40^{\circ}\text{C} + 180^{\circ}\text{C}$



CONTI 4072391

1120157 2-WAY SOLENOID VALVE ODE \varnothing 1/8" 220V 5W
VITON seal - orifice \varnothing 2.3 mm
with coil LBV05220BU 220V 60Hz 5W
temperature $-10^{\circ}\text{C} + 140^{\circ}\text{C}$
for Coffee machine (CONTI) TWIN STAR2



CONTI 411476

1120153 2-WAY SOLENOID VALVE PARKER 110V 50/60Hz
VE146YV - fittings \varnothing 1/4" FF - max 10 bar
VITON seal - orifice \varnothing 3 mm
with coil ZB09 9W 110/120V 50/60Hz
fluid temperature $-10^{\circ}\text{C} + 140^{\circ}\text{C}$



CONTI

CONTI



Suitable for:

1120279 SOLENOID VALVE ODE 2 WAYS 110/120V 15VA
corpo in TECNOPOLIMERO PPS
RUBY seal - orifice \varnothing 3.0 mm
with coil BDV08110AY 110/120V 50/60Hz 15VA
temperature $-40^{\circ}\text{C} + 180^{\circ}\text{C}$
NSF certified



CONTI 470599

1120820 COIL ODE BDA08223DS 220/230V 50/60Hz
14.5 VA
width 30 mm - height 39 mm
length 42 mm
for Coffee machine (CONTI) CLUB - TWIN STAR2
XEOS2



CONTI

1120336 COIL PARKER ZB09 9W 110/120V 50/60Hz
width 34 mm - height 33 mm
length 43 mm



CONTI



Suitable for:

Suitable for:

1120354 2-WAY SOLENOID VALVE PARKER 230V 50/60Hz
 VE146NV - fittings \varnothing 1/4"FF - max 10 bar
 VITON sealing - orifice \varnothing 2.5 mm
 with coil ZB09 9W 220/230V 50/60Hz
 fluid temperature -10°C +140°C

3120032 COIL PARKER ZB09 9W 220/240V 50/60Hz
 width 34 mm - height 33 mm
 length 43 mm
 for Coffee machine (CONTI) CLUB - TWIN STAR2
 XEOS2



CONTI

CONTI

1120334 3-WAY MECHANICAL COMPONENT LUCIFER
 E131F4304G - drain \varnothing 1/8" conical - max 10 bar
 RUBY seal - orifice \varnothing 1.5 mm
 fluid temperature -30°C+140°C
 for Coffee machine (CONTI) CLUB - TWIN STAR2
 XEOS2

1120339 3-WAY MECHANICAL COMPONENT PARKER
 VE1281R - drain \varnothing 1/8" conical - max 10 bar
 RUBY seal - orifice \varnothing 1.3 mm
 fluid temperature -30°C+140°C
 for Coffee machine (CONTI) CLUB - TWIN STAR2
 XEOS2



CONTI

CONTI

1120102 3-WAY SOLENOID VALVE LUCIFER 115V 60Hz
 E131F4304 - drain \varnothing 1/8" conical - max 10 bar
 RUBY seal - orifice \varnothing 1.5 mm
 with coil 483510S5 9W 110/115/120V 50/60Hz
 fluid temperature -40°C+140°C

1120334 3-WAY MECHANICAL COMPONENT LUCIFER
 E131F4304G - drain \varnothing 1/8" conical - max 10 bar
 RUBY seal - orifice \varnothing 1.5 mm
 fluid temperature -30°C+140°C
 for Coffee machine (CONTI) CLUB - TWIN STAR2
 XEOS2



CONTI 401816

CONTI

1120330 3-WAY SOLENOID VALVE LUCIFER 240V 50Hz
 E131F4304 - drain \varnothing 1/8" conical - max 10 bar
 RUBY seal - orifice \varnothing 1.5 mm
 with coil 483510S6 9W 220/240V 50/60Hz
 fluid temperature -40°C+140°C
 for Coffee machine (CONTI) CLUB - TWIN STAR2
 XEOS2

1120332 COIL LUCIFER/PARKER 220/240V 9W 50Hz
 width 32 mm - height 38 mm
 length 43 mm
 for Coffee machine (CONTI) CLUB - TWIN STAR2
 XEOS2



CONTI 407239

CONTI



Suitable for:

1120334 3-WAY MECHANICAL COMPONENT LUCIFER
 E131F4304G - drain \varnothing 1/8" conical - max 10 bar
 RUBY seal - orifice \varnothing 1.5 mm
 fluid temperature -30°C+140°C
 for Coffee machine (CONTI) CLUB - TWIN STAR2
 XEOS2



CONTI

1120101 3-WAY SOLENOID VALVE PARKER 115V 50/60Hz
 VE1281R - drain \varnothing 1/8" conical - max 10 bar
 RUBY seal - orifice \varnothing 1.3 mm
 with coil ZB09 9W 110/120V 50/60Hz
 fluid temperature -40°C+140°C



CONTI 401816

1120339 3-WAY MECHANICAL COMPONENT PARKER
 VE1281R - drain \varnothing 1/8" conical - max 10 bar
 RUBY seal - orifice \varnothing 1.3 mm
 fluid temperature -30°C+140°C
 for Coffee machine (CONTI) CLUB - TWIN STAR2
 XEOS2



CONTI

1120335 3-WAY SOLENOID VALVE PARKER 230V 50/60Hz
 VE1281R - drain \varnothing 1/8" conical - max 10 bar
 RUBY seal - orifice \varnothing 1.3 mm
 with coil ZB09 9W 220/230V 50/60Hz
 fluid temperature -30°C+140°C
 for Coffee machine (CONTI) CLUB - TWIN STAR2
 XEOS2



CONTI 407239

CONTI

Suitable for:



1120336 COIL PARKER ZB09 9W 110/120V 50/60Hz
 width 34 mm - height 33 mm
 length 43 mm



CONTI

3120032 COIL PARKER ZB09 9W 220/240V 50/60Hz
 width 34 mm - height 33 mm
 length 43 mm
 for Coffee machine (CONTI) CLUB - TWIN STAR2
 XEOS2



CONTI



Suitable for:

1120339 3-WAY MECHANICAL COMPONENT PARKER
VE1281R - drain \varnothing 1/8" conical - max 10 bar
RUBY seal - orifice \varnothing 1.3 mm
fluid temperature -30°C+140°C
for Coffee machine (CONTI) CLUB - TWIN STAR2
XEOS2



CONTI

Suitable for:



CONTI

Steam taps and spares for coffee mach.

1348314 COMPLETE TAP "CLUB"
for Coffee machine (CONTI) CLUB



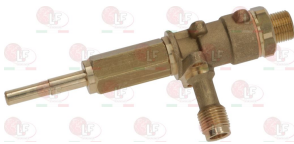
CONTI 4095903

1348305 COMPLETE TAP XEOS EV
for Coffee machine (CONTI) TWIN STAR2 - XEOS2



CONTI 4101341

7104651 STEAM TAP 3/8"



CONTI 470840

Steam-water pipes coffee machines

1449330 COMPLETE WATER PIPE
for Coffee machine (CONTI) TWIN STAR2 - XEOS2



CONTI 410275

5060635 CONTI STEAM PIPE NOZZLE



CONTI 410227

CONTI 411920

1449328 STEAM PIPE COMPLETE
for Coffee machine (CONTI) CLUB - TWIN STAR2
XEOS2



CONTI 410229

1449329 STEAM PIPE COMPLETE
for Coffee machine (CONTI) XEOS



CONTI 410310



Suitable for:

CONTI



Suitable for:

Switches

1319902 BIPOLAR SWITCH BLACK 16A 250V

with led indicator light
mounting hole 22x30 mm
for Coffee machine (CONTI)
since 1/03/04 CLASSICA



CONTI 411429

3319154 BIPOLAR SWITCH BLACK 16A 250V

16(4)A 250V - max. temperature 120°C
with push-button cap - silk screen printing 0 - I
mounting hole 22x30 mm
for Coffee machine (CONTI) CLUB - XEOS



CONTI 408501

1319332 PUSH-BUTTON PANEL 1 BUTTON

for Coffee machine (CONTI) CLUB - XEOS2



CONTI 410304

Tampers for coffee

1385002 NYLON COFFEE TAMPER ø 50/57 mm



CONTI

Thermostats

1444018 SAFETY THERMOSTAT FOR BOILER

coupling 3/8" bulb ø 3 length 340 mm
for Coffee machine (CONTI) CLUB - TWIN STAR2
XEOS2



CONTI 402500



Tools

1505002 EXTRACTOR FOR FILTER S.STEEL WITH HOLE



CONTI

3394906 INSPECTION MIRROR KIT \varnothing 30x165 mm
telescopic - overall length 485 mm



CONTI

Water inlet taps

1348310 WATER INLET TAP
for Coffee machine (CONTI) TWIN STAR2 - XE0S2



CONTI 405586

CONTI 405618

CONTI 470180V

Water softeners and spare parts

3010291 MANUAL WATER SOFTENER 5 L \varnothing 3/8"
for water treatment for TECHNICAL use
st/steel bottle capacity 5 L
fastening fitting 3/8"
dimensions: h 300 mm - \varnothing 190 mm
resin content 3.5 L
regeneration salt(NaCl-table salt)1 Kg



CONTI

3010001 MANUAL WATER SOFTENER 8 L \varnothing 3/8"
for water treatment for TECHNICAL purposes
STAINLESS STEEL cylinder capacity 8 L
connection 3/8"
dimensions: height 400 mm - \varnothing 185 mm
resin content 5.8 L
regeneration salt(NaCl-table salt)1 Kg



CONTI

3010161 MANUAL WATER SOFTENER 8 L \varnothing 3/8"
for water treatment for TECHNICAL purposes
plasma welding
STAINLESS STEEL cylinder capacity 8 L
connection 3/8"
dimensions: height 400 mm - \varnothing 185 mm
resin content 5.8 L
regeneration salt(NaCl-table salt)1 Kg
inlet water maximum temperature 60°C



CONTI

3010112 RESIN 5 L
5 litre bag



CONTI



Suitable for:

CONTI



3010299 SALT FOR WATER SOFTNER IN TABLETS 10 Kg
FOR WATER SOFTENING SYSTEMS



CONTI

Suitable for:

3010300 SALT FOR WATER SOFTNER IN TABLETS 25 Kg
FOR WATER SOFTENING SYSTEMS



CONTI

The data herewith contained may change without notice and LF SpA cannot be held responsible for possible errors stated or resulting by the use of this document. All rights reserved. No part of this publication may be reproduced without written permission by LF SpA.



Distributing Components, Spare Parts & Accessories in original quality worldwide

-
- LF SpA HEADQUARTERS**
via Voltri, 80 - 47522 Cesena (FC) ITALY
Tel. +39 0547 34 11 11 - Fax +39 0547 34 11 10
www.lfricambi724.it - info@lfricambi.it
Export Dept. Tel. +39 0547 34 11 50 - Fax +39 0547 34 11 55
www.lfspareparts724.com - export@lfspareparts.com
- LF SpA HOUSEHOLD COMPONENTS DIVISION**
Via Padriciano, 99 - AREA Science Park - 34149 Trieste (TS) ITALY
Tel. +39 0547 34 12 42 - Fax +39 0547 34 12 48
www.lfspareparts724.com - info@lfspareparts.com
- EPGC Sas FRANCE**
13, Rue des Forts - 59960 Neuville en Ferrain
Tel. +33 (0)3 20 25 06 21 - Fax +33 (0)3 20 25 34 12
www.epgc.com - epgc@epgc.com
- LF GmbH GERMANY**
Junkersstrasse, 3 - D-82178 Puchheim - München
Tel. +49 89 89 45 78 66 - Fax +49 89 89 45 78 88
www.lfersatzteile724.de - info@lfersatzteile.de
- LF China REPUBLIC OF CHINA**
Room 403, No.2, Huadu Mansion, Lane 422, Huanghua Rd.
Minhang Dist. - 201103 Shanghai
Tel. +86 (0)21 33 53 66 31 - Fax +86 (0)21 33 53 66 32
www.lfspareparts724.com - china@lfspareparts.com
- OOO LF RUSSIAN FEDERATION**
Ul. Anatoliya Zhivova, 8 - office 1 - 123100 Moscow
Tel./Fax +7 495 725 26 53
www.lfspareparts724.ru - info@lfspareparts.ru
- LF Repuestos Horeca S.L.U. SPAIN**
Poligono Industrial Carpetania - C/Miguel Faraday, 8 - 28906 Getafe
Tel. +34 91 477 91 00 - Fax +34 91 477 90 81
www.lfrepuestos-horeca724.es - info@lfrepuestos.es
- LF Scandinavia Aps - LF Spareparts S.p.A. DENMARK**
Nupark, 51 - 7500 Holstebro
Tel. +45 70 70 77 33
www.lfspareparts724.dk - denmark@lfspareparts.dk
- LF SpA Cesena (IT) Swiss Branch Steinhausen SWITZERLAND**
Sennweidstrasse, 45 - CH-6312 Steinhausen
Tel. +41 (0)41 760 15 80/1 - Fax +41 (0)41 760 15 85
www.lfersatzteile724.ch - info@lfersatzteile.ch
- LF Spare Parts Ltd. UNITED KINGDOM**
A10a Lakeside Business Park, Broadway Lane
South Cerney, Gloucestershire GL7 5XL
Tel. +44 (0)1285 86 16 25 - Fax +44 (0)1285 86 39 49
www.lfspareparts724.co.uk - info@lfspareparts.co.uk
- LF Central Est Europe S.r.o. CZECH REPUBLIC**
Antala Staska 1859/34
14000 Praha 4 - KRC
Tel. +420 730 156 910
www.lfspareparts724.cz - info@lfspareparts.cz
- LF SPARE PARTS INC. USA**
Legal address:
155 Office Plaza Dr - Suite A - Tallahassee, FL 32301
Business/Mailing address:
1100 South Tower, 225 Peachtree St., N.E. - Atlanta, GA 30303, USA
Tel. +1-404-525-2600 - Fax +1-404-586-3528
www.lfspareparts724.us - info@lfspareparts.us
Tel. West Coast and Midwest: 206-349-1525 Sauro
Tel. East Coast and the Caribbean: 786-817-1764 Luis
-
- AUSTRALIA AND NEW ZEALAND**
www.lfspareparts724.com
andrea.calvio@lfspareparts.com
- AUSTRIA**
www.lfersatzteile724.at
info@lfersatzteile.at
- BALKAN COUNTRIES**
www.lfspareparts724.com
matija.ramov@lfspareparts.com
- BALTIC COUNTRIES**
www.lfspareparts724.com
inara.silina@lfspareparts.com
- LATIN AMERICA AND THE CARRIBEANS**
www.lfrepuestos-horeca724.es
export@lfrepuestos.es
- POLAND**
www.lfspareparts724.pl
info@lfspareparts.pl
- SOUTH KOREA**
www.lfspareparts724.com
fabio.doni@lfspareparts.com
- TURKEY**
www.lfyedekparca724.com
export@lfspareparts.com