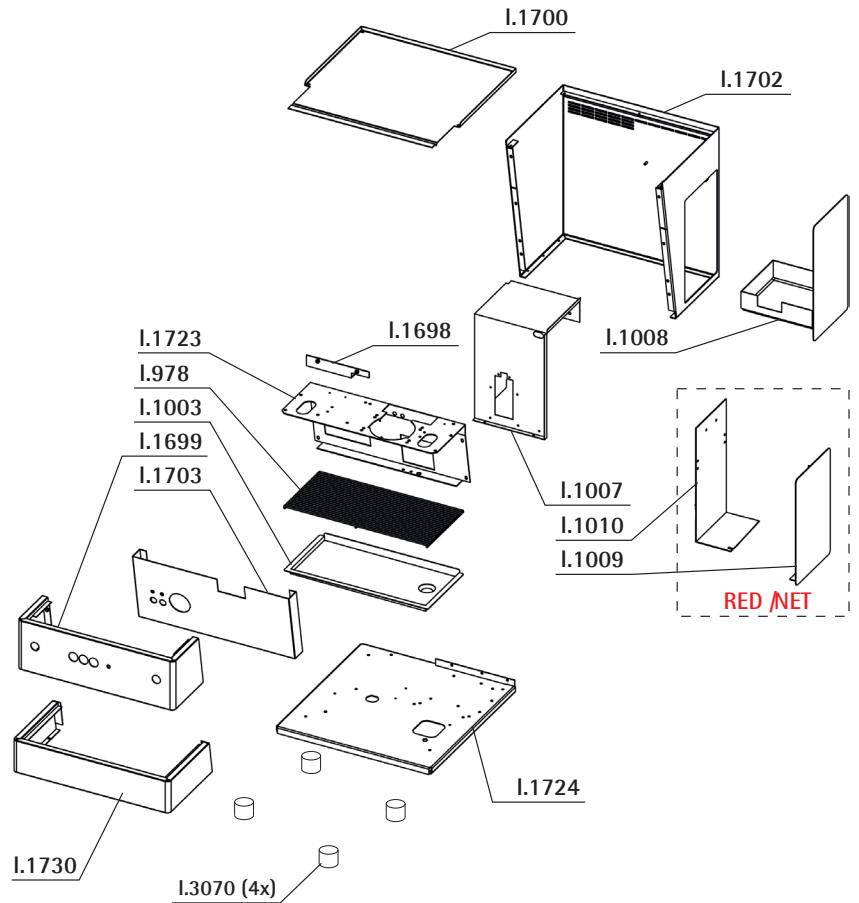




# Bar

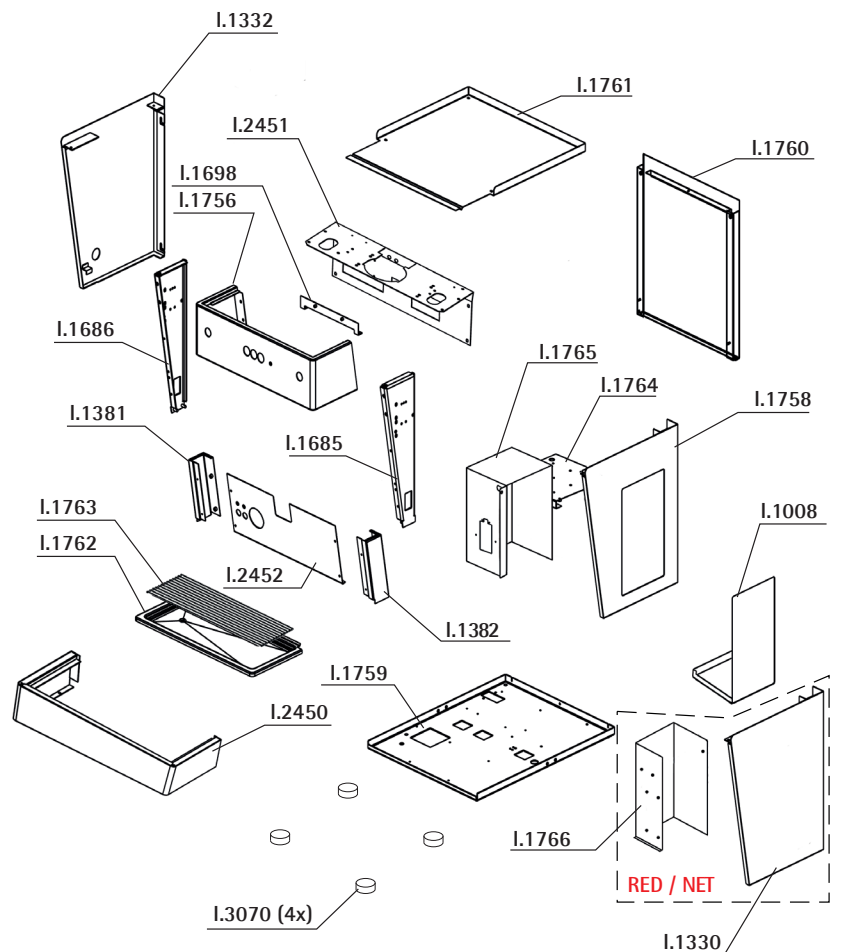
Carrocería BAR 1GR (+04/2012) ■ BAR 1GR bodywork (+04/2012)

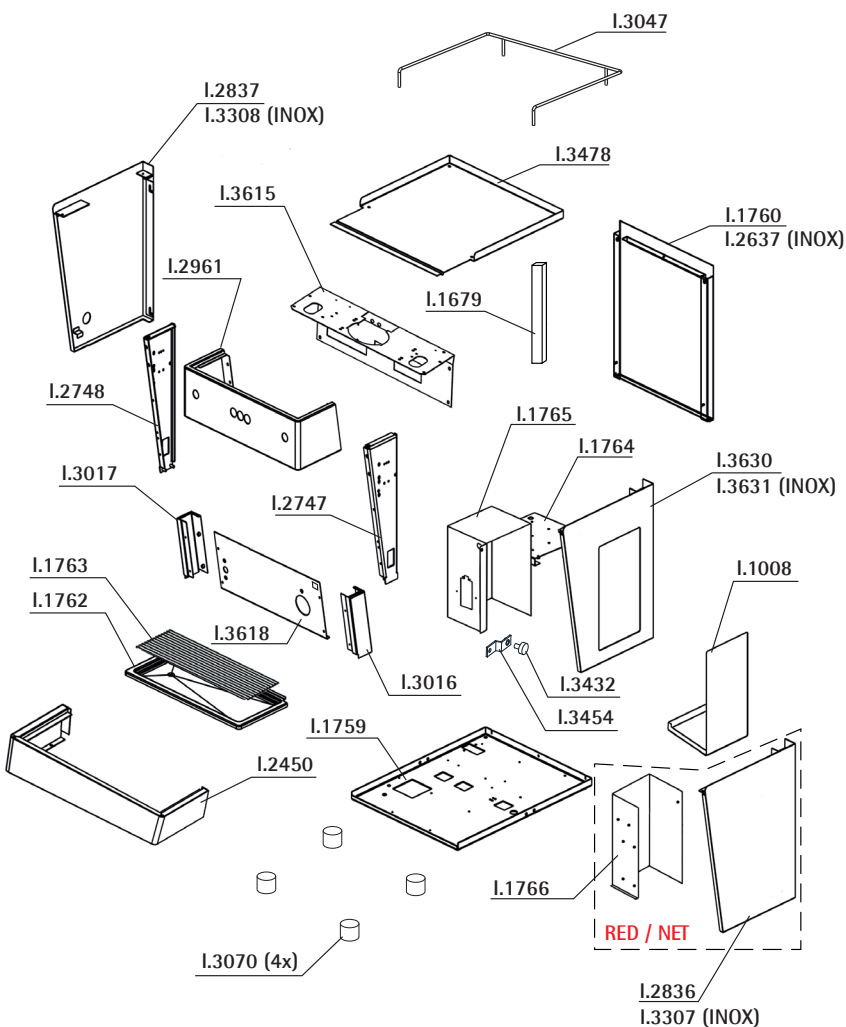
REF.	DESCRIPCIÓN	DESCRIPTION
I.978	REJILLA BAR 1 GRUPO	BAR 1 GROUP DRIP TRAY
I.1003	BANDEJA BAR 1 GRUPO	BAR 1 GROUP TRAY
I.1007	COMPARTIMENTO BAR 1 GRUPO	BAR 1 GROUP PLATE
I.1008	CAJON BAR 1 GRUPO	BAR 1 GROUP BOX
I.1009	TAPA DEPOSITO BAR 1 GRUPO	BAR 1 GROUP WATER TANK LID
I.1010	SOP. CENTRALITA BAR 1 GRUPO	BAR 1 GROUP ELECTRONIC BOX SUP
I.1698	SOPORTE BOTONERA BAR 1GR	1GR BAR DOSING DEVICE SUPPORT
I.1699	CARATULA BAR 1GR	1GR BAR MEMBRANE
I.1700	TAPA SUPERIOR BAR 1GR.	1GR BAR UPPER LID
I.1702	CHASIS BAR 1GR	1GR BAR CHASSIS
I.1703	FRONTAL INTERMEDIO BAR 1GR	1GR BAR INTERMEDIATE FRONT
I.1723	BASE MECANISMO BAR 1GR	1GR BAR MECANISM BASE
I.1724	BASE BAR 1GR	1GR BAR BASE
I.1730	MARCO BASE 1GR	1GR BASE FRAME
I.3070	PIE INOX D60	INOX FOOT D60



Carrocería BAR 1GR (+06/2015) ■ BAR 1GR bodywork (+06/2015)

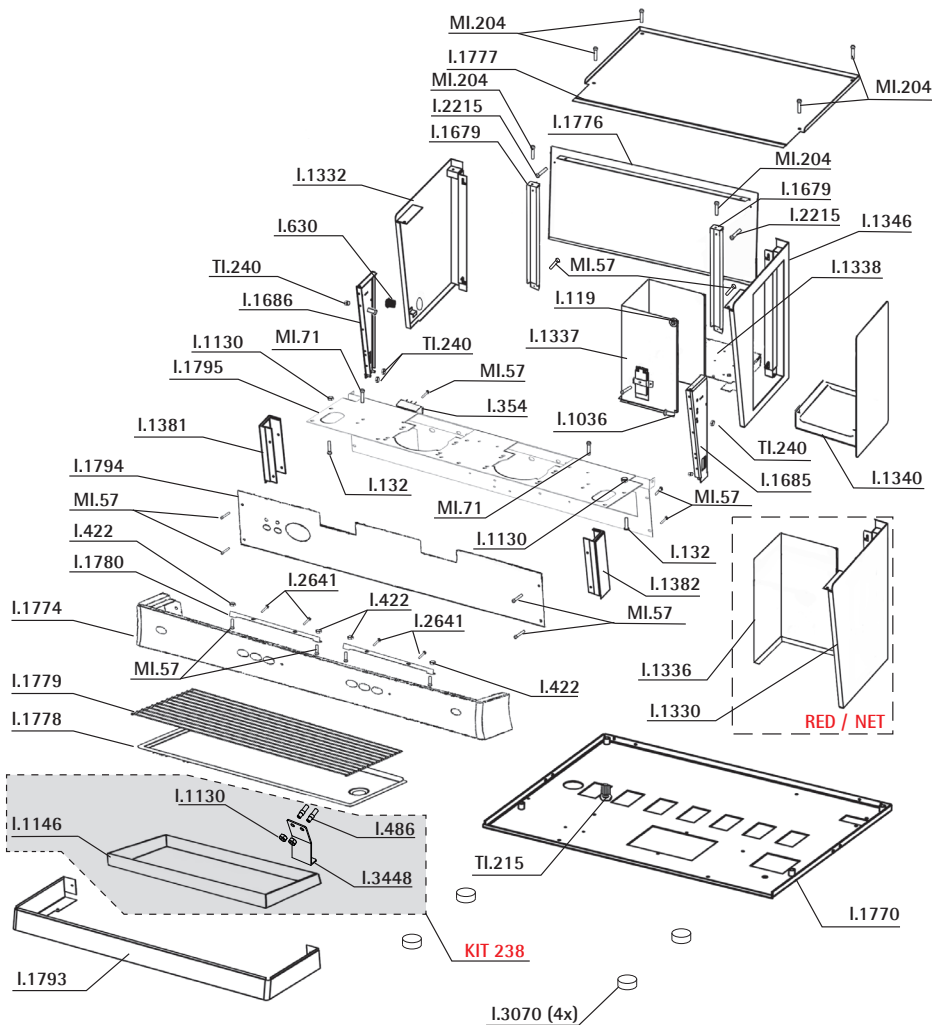
REF.	DESCRIPCIÓN	DESCRIPTION
I.1008	CAJON BAR 1 GRUPO	BAR 1 GROUP BOX
I.1330	TAPA LATERAL DERECHA BAR	BAR LEFT LATERAL LID
I.1332	TAPA LATERAL IZQUIERDA BAR	BAR RIGHT LATERAL LID
I.1381	EMBELLECEDOR IZQUIERDO BAR	LEFT TRIM - BAR KAP
I.1382	EMBELLECEDOR DERECHO BAR	RIGHT TRIM - BAR KAP
I.1685	MONTANTE DERECHO	SUPPORT RIGHT
I.1686	MONTANTE IZQUIERDO	SUPPORT LEFT
I.1698	SOPORTE BOTONERA BAR 1 GR	SUPPORT PUSH BUTTON BAR 1 GR
I.1756	CARATULA 1 GR BAR KAP	FRONT 1 GR BAR KAP
I.1758	TAPA LATERAL DER. DEP. BAR KAP 1 GR	LID LAT. DER. TANK BAR KAP 1 GR
I.1759	BASE BAR/BARISTA 1GR	BASE - BAR/BARISTA 1GR
I.1760	TAPA TRASERA BAR KAP 1 GR	LID BACK BAR KAP 1 GR
I.1761	TAPA SUPERIOR BAR KAP 1 GR	LID SUPERIOR BAR KAP 1 GR
I.1762	BANDEJA DESAGUE BAR KAP 1 GR	BAR KAP 1GR TRAY
I.1763	REJILLA AGUA BAR KAP 1 GR	DRIP TRAY BAR KAP 1GR
I.1764	BASE CAJON BAR KAP 1 GR	BAR KAP 1GR DRAWER BASE
I.1765	COMPART. DEPOSITO BAR KAP 1 GR	SUPPORT TANK BAR KAP 1 GR
I.1766	SOP. CENTRALITA RED BAR KAP 1 GR	SUP. ELEC. BOX RED BAR KAP 1 GR
I.2450	MARCO BASE BARISTA 1GR	BASIS FRAME BAR BARISTA 1GR
I.2451	BASE MECANISMOS BAR 1GR	MECHANISM BASE BAR 1GR
I.2452	FRONTAL INTERMEDIO BAR 1GR	INTERMEDIATE FRONT BAR 1GR
I.3070	PIE INOX D60	INOX FOOT D60





REF.	DESCRIPCIÓN	DESCRIPTION
I.1008	CAJON BAR 1 GRUPO	BAR 1 GROUP BOX
I.1679	COLUMNA BASE	COLUMN BASE
I.1759	BASE BAR/BARISTA 1GR	BASE - BAR/BARISTA 1GR
I.1760	TAPA TRASERA BAR KAP 1 GR	LID BACK BAR KAP 1 GR
I.1762	BANDEJA DESAGUE BAR KAP 1 GR	BAR KAP 1GR TRAY
I.1763	REJILLA BAR 1GR	MESH STRAINER BAR 1GR
I.1764	BASE CAJON BAR KAP 1 GR	BAR KAP 1GR DRAWER BASE
I.1765	COMPARTIMENTO DEPOSITO BAR 1 GR	SUPPORT TANK BAR 1 GR
I.1766	SOPORTE CENTRALITA RED BAR 1GR	SUP. ELEC. BOX RED BAR 1GR
I.2450	MARCO BASE BAR/BARISTA 1GR	BASIS FRAME BAR BARISTA 1GR
I.2637	TAPA TRASERA BARISTA 1GR. INOX	LID BACK INOX BARISTA 1GR
I.2747	MONTANTE DERECHO BARISTA	RIGHT SUPPORT BARISTA
I.2748	MONTANTE IZQUIERDO BARISTA	LEFT SUPPORT BARISTA
I.2836	TAPA LATERAL DERECHA BARISTA	RIGHT SIDE LID BARISTA
I.2837	TAPA LATERAL IZQUIERDA BARISTA	LEFT SIDE LID BARISTA
I.2961	CARATULA BAR KAP 1GR RAISED	FRONTAL BAR KAP 1GR RAISED
I.3016	EMBELLECEDOR DERECHO BAR	RIGHT TRIM BAR
I.3017	EMBELLECEDOR IZQUIERDO BAR	LEFT TRIM BAR
I.3047	BARANDILLA BARISTA 1GR	RAILING BARISTA 1GR
I.3070	PIE INOX D60	INOX FOOT D60
I.3307	TAPA LATERAL DER. BARISTA INOX 2015	RIGHT LID BARISTA INOX 2015
I.3308	TAPA L. IZQUIERDA BARISTA INOX 2015	LEFT SIDE LID BARISTA INOX 2015
I.3432	IMAN CAJON DEPOSITO	TANK DRAWER MAGNET
I.3454	SOPORTE IMAN CAJON DEPOSITO	TANK DRAWER MAGNET BRACKET
I.3478	TAPA SUPERIOR BAR 1GR	UPPER LID BAR 1GR
I.3615	BASE MECANISMOS BAR 1GR RAISED	MECANISM BASE BAR 1GR RAISED
I.3618	FRONTAL INTERMEDIO BAR 1GR RAISED	INTERM. FRONT BAR 1GR RAISED
I.3630	TAPA LATERAL D. BAR DEPOSITO 1GR 2015	RIGHT LID BAR TANK 1GR 2015
I.3631	TAPA LAT. DER. BAR DEP. 1GR INOX 2015	RIGHT LID TANK BAR 1GR INOX 2015

Carrocería BAR COMPACTA (ECO) ■ BAR COMPACT (ECO) bodywork



REF.	DESCRIPCIÓN	DESCRIPTION
I..119	PASACABLES CAJA TER.ELECT	WIRINGPIN
I..132	TORNILLO M5x8 INOX	DREAM FIXATION SCREW
I..354	REGLETA DE ENTRADA	TERMINAL STRIP
I..422	TUERCA CON ARANDELA M4 INOX	NUT WITH WASHERE
I..486	BOQUILLA DESCARGA PROF/PM	PROF STEM
I..630	TAPON PLASTICO DIAM.28	28mm CAP
I.1036	TORNILLO INOX FIJACION CALDERA	BOILER FIXED SCREW
I.1130	TUERCA CON ARANDELA M5 INOX	M5 WASHER WITH SCREW
I.1146	BANDEJA CIEGA BAR 2 GRUPOS	BANDEJA CIEGA BAR 2 GRUPOS
I.1330	TAPA LATERAL DERECHA BAR	BAR RIGHT LATERAL LID
I.1332	TAPA LATERAL IZQUIERDA BAR	BAR LEFT LATERAL LID
I.1336	SOPORTE CENTRALITA BAR	BAR CONTROL BOARD SUPPORT
I.1337	COMPARTIMENTO DEPOSITO BAR 2 GR	2GR BAR TANK COMPARTMENT
I.1338	BASE CAJON BAR 2 GR ONE/PF/KAP	BAR DRAWER BASE
I.1340	CAJON DEPOSITO BAR 2GR ONE/PF/KAP	BAR DRAWER
I.1346	TAPA LATERAL DER. DEPOSITO BAR	BAR TANK RIGHT LATERAL LID
I.1381	EMBELLECEDOR IZQUIERDO BAR	LEFT TRIM - BAR
I.1382	EMBELLECEDOR DERECHO BAR	RIGHT TRIM - BAR
I.1679	COLUMNA BASE	BASE COLUMN
I.1685	MONTANTE DERECHO	RIGHT STUD
I.1686	MONTANTE IZQUIERDO	LEFT STUD
I.1770	BASE BAR 2GR COMPACTA	BASE - BAR 2GR COMPACT
I.1774	CARATULA BAR 2 GRUPOS COMPACTA	MASK BAR 2GR COMPACT
I.1776	TAPA TRASERA BAR 2 GR. COMPACTA	BAR BACK LID 2GR
I.1777	TAPA SUPERIOR BAR 2 GR. COMPACTA	BAR 2 GR. COMPACT UPPER LID
I.1778	BANDEJA DESAGUE BAR 2 GR. COMP.	BAR 2 GROUPS COMPACT TRAY
I.1779	REJILLA BAR 2 GRUPOS COMPACTA	BAR 2 GROUPS COMPACT GRID
I.1780	SOPORTE BOTONERA BAR 2 GR. COMP.	SUPPORT
I.1793	MARCO BASE BAR 2 GR. COMPACTA	BASE 2GR COMPACT
I.1794	FRONTAL INTERMEDIO BAR 2 GR. COMP.	BAR INTER. COMPACT FRONTAL
I.1795	BASE MECANISMO BAR 2GR. COMPACTA	2GR BAR MECANISM BASE
I.2215	TORNILLO DIN 933 M4X15 A4-80 INOX	SCREW M4X15 INOX
I.2641	TORNILLO DIN933 M4x10 INOX A-4 80	SCREW DIN933 M4x10 INOX
I.3070	PIE INOX D60	INOX FOOT D60
I.3448	SOP. DESAGUE BAR BANDEJA CIEGA	SUPPORT DRAIN BAR
MI..57	TORNILLO M4X12	SCREW
MI..71	TORNILLO DOSIFICADOR INOX	SCREW
MI.204	TORNILLO M4x10 INOX	M4x10 INOX SCREW
TI.215	PRENSAESTOPA+TUERCA PG11 NEGRO	WALL INSERT
TI.240	TUERCA M6 INOX A-4	M6 NUT
KIT238	KIT DESCARGA BANDEJA CIEGA BAR	DRAIN TRAY BLIND BAR KIT

5

ASCASO

6

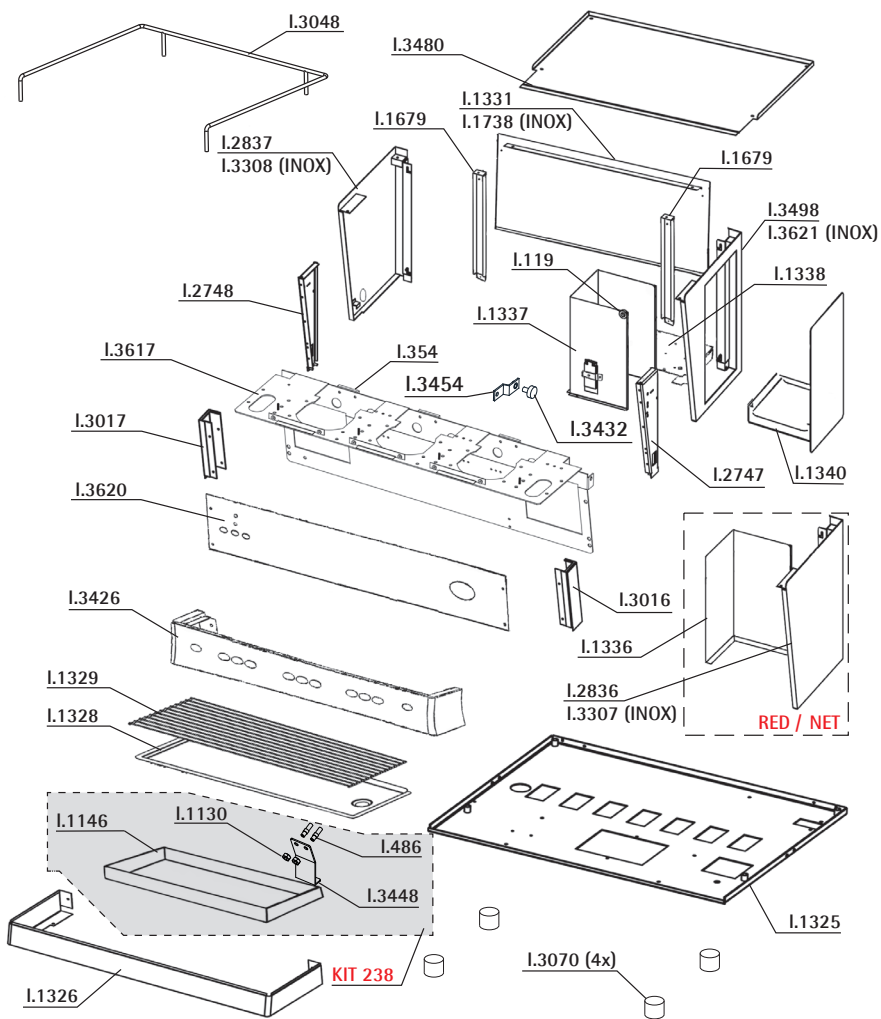
ASCASO

Carrocería BAR COMPACTA (+05/2016) ■ **BAR COMPACT bodywork (+05/2016)**

REF.	DESCRIPCIÓN	DESCRIPTION
I..119	PASACABLE DIAMETRO 14	WIRINGPIN
I..354	REGLETA DE ENTRADA	TERMINAL STRIP
I..486	BOQUILLA DESCARGA PROF/PM	PROF STEM
I.1130	TUERCA CON ARANDELA M5 INOX	NUT M5
I.1146	BANDEJA CIEGA BAR 2 GRUPOS	TRAY BLIND BAR 2GR
I.1336	SOPORTE CENTRALITA BAR	ELECTRONIC BOX SUPPORT
I.1337	COMPARTIMENTO DEPOSITO BAR 2GR	BAR COMPARTMENT
I.1338	BASE CAJON BAR 2 GR ONE/PF/KAP	BAR DRAWER BASE
I.1340	CAJON DEPOSITO BAR 2GR ONE/PF/KAP	BAR DRAWER
I.1679	COLUMNA BASE	COLUMN BASE
I.1770	BASE BAR 2GR COMPACTA	BASE BAR 2GR COMPACT
I.1776	TAPA TRASERA 2GR COMPACTA	BAR BACK LID 2GR
I.1778	BANDEJA DESAGUE BAR 2GR COMP.	BAR 2 GROUPS COMPACT TRAY
I.1779	REJILLA BAR COMPACTA	MESH STRAINER BAR COMPACT
I.1793	MARCO BASE BAR 2GR COMPACTA	BASE 2GR COMPACT
I.2747	MONTANTE DERECHO BARISTA	RIGHT SUPPORT BARISTA
I.2748	MONTANTE IZQUIERDO BARISTA	LEFT SUPPORT BARISTA
I.2836	TAPA LATERAL DERECHA BARISTA	RIGHT SIDE LID BARISTA
I.2837	TAPA LATERAL IZQUIERDA BARISTA	LEFT SIDE LID BARISTA
I.3016	MONTANTE DERECHO	RIGHT STUD
I.3017	MONTANTE IZQUIERDO	LEFT STUD
I.3070	PIE INOX D60	INOX FOOT D60
I.3307	TAPA LATERAL DER. BARISTA INOX 2015	RIGHT SIDE LID BARISTA INOX 2015
I.3308	TAPA LATERAL IZQ. BARISTA INOX 2015	LEFT SIDE LID BARISTA INOX 2015
I.3425	CARATULA BAR 2GR COMPACTA RAISED	FRONTAL BAR 2GR COMP. RAISED
I.3432	IMAN CAJON DEPOSITO	TANK DRAWER MAGNET
I.3448	SOP. DESAGUE BAR BANDEJA CIEGA	SUPPORT DRAIN BAR
I.3454	SOPORTE IMAN CAJON DEPOSITO	TANK DRAWER MAGNET BRACKET
I.3479	TAPA SUPERIOR BAR 2GR	UPPER LID BAR 2GR
I.3497	BARANDILLA BAR 2GR RAISED	RAILING BAR 2GR RAISED
I.3498	TAPA LAT. DER. BAR DEPOSITO 2015	RIGHT SIDE LID TANK BAR 2015
I.3616	BASE MECANISMOS BAR 2GR RAISED	MECANISM BASE BAR 2GR RAISED
I.3619	FRONTAL INTERMEDIO BAR 2GR RAISED	INTERM. FRONT BAR 2GR RAISED
I.3621	TAPA LAT. DERECHA BAR 2015 DEP. INOX	RIGHT LID TANK BAR INOX 2015
I.3693	TAPA TRASERA BAR 2GR INOX	REAR LID BAR 2GR INOX
KIT238	KIT DESCARGA BANDEJA CIEGA BAR	DRAIN TRAY BLIND BAR KIT

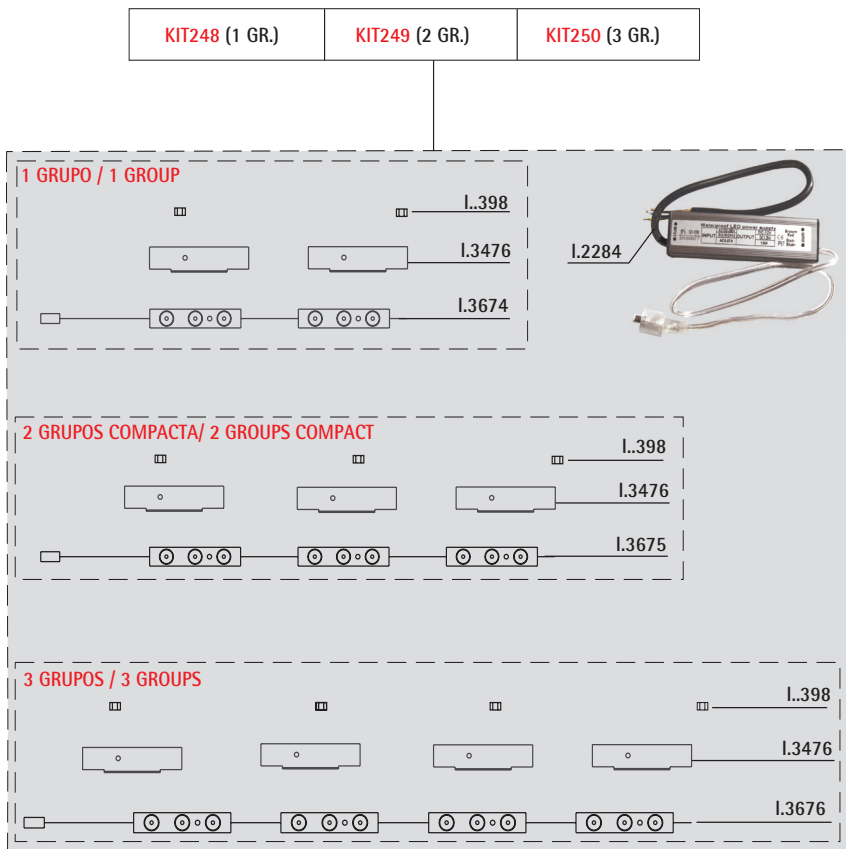
Carrocería BAR 2GR ■ **BAR 2GR bodywork**

REF.	DESCRIPCIÓN	DESCRIPTION
I..119	PASACABLES CAJA TER.ELECT	WIRINGPIN
I..132	TORNILLO M5x8 INOX	SCREW
I..354	REGLETA DE ENTRADA	TERMINAL STRIP
I..422	TUERCA CON ARANDELA M4 INOX	NUT WITH WASHERE
I..486	BOQUILLA DESCARGA PROF/PM	PROF STEM
I..630	TAPON PLASTICO DIAM.28	28mm CAP
I.1036	TORNILLO FIJACION CALDERA INOX	BOILER FIXED SCREW
I.1130	TUERCA CON ARANDELA M5 INOX	NUT M5
I.1146	BANDEJA CIEGA BAR 2 GRUPOS	TRAY BLIND BAR 2 GR.
I.1325	BASE BAR/BARISTA 2GR	BASE - BAR/BARISTA 2GR
I.1326	MARCO BASE BAR	BAR BASE FRAME
I.1328	BANDEJA DESAGÜE 2GR INOX	2GR INOX DRAIN TRAY
I.1329	REJILLA BANDEJA 2GR INOX	2GR INOX DRAIN GRID
I.1330	TAPA LATERAL DERECHA BAR	BAR LEFT LATERAL LID
I.1331	TAPA TRASERA 2GR BARISTA	BARISTA LID BACK 2GR
I.1332	TAPA LATERAL IZQUIERDA BAR	BAR RIGHT LATERAL LID
I.1333	CARATULA BAR 2 GRUPOS ONE/PF/KAP	BAR INOX FRONT
I.1334	FRONTAL INTERM. BAR ONE/PF	BAR INOX INTERMEDIATE FRONT
I.1335	BASE MECANISMOS BAR	BAR MECHANISM BASE
I.1336	SOPORTE CENTRALITA BAR	BAR CONTROL BOARD SUPPORT
I.1337	COMPARTIMENTO DEPOSITO BAR 2 GR	2GR BAR TANK COMPARTMENT
I.1338	BASE CAJON BAR 2 GR ONE/PF/KAP	BAR DRAWER BASE
I.1340	CAJON DEPOSITO BAR 2 GR ONE/P	BAR DRAWER
I.1346	TAPA LATERAL DER. DEPOSITO BAR	BAR TANK RIGHT LATERAL LID
I.1352	TAPA SUPERIOR BAR ONE/PF/KAP	LID SUPERIOR BAR ONE/PF/KAP
I.1381	EMBELLECEDOR IZQUIERDO BAR	LEFT TRIM - BAR
I.1382	EMBELLECEDOR DERECHO BAR	RIGHT TRIM - BAR
I.1674	SOPORTE BOTONERA BAR ONE/PF/KAP	SUP. PUSH BUTTOM BAR
I.1679	COLUMNA BASE	BASE COLUMN
I.1685	MONTANTE DERECHO	RIGHT STUD
I.1686	MONTANTE IZQUIERDO	LEFT STUD
I.2215	TORNILLO DIN 933 M4x15 INOX	INOX M4x15 DIN933 SCREW
I.2641	TORNILLO DIN933 M4x10 INOX A-4 80	SCREW DIN933 M4x10 INOX
I.3070	PIE INOX D60	INOX FOOT D60
I.3448	SOP. DESAGUE BAR BANDEJA CIEGA	SUPPORT DRAIN BAR
MI..57	TORNILLO M4X12	SCREW
MI..71	TORNILLO DOSIFICADOR INOX	SCREW
MI.204	TORNILLO M4x10 INOX	M4x10 INOX SCREW
TI.215	PRENSAESTOPA+ TUERCA PG11 NEGRO	WALL INSERT
TI.240	TUERCA M6 INOX A-4	M6 NUT
KIT238	KIT DESCARGA BANDEJA CIEGA BAR	DRAIN TRAY BLIND BAR KIT



REF.	DESCRIPCIÓN	DESCRIPTION
I..119	PASACABLE DIAMETRO 14	WIRINGPIN
I..354	REGLETA DE ENTRADA	TERMINAL STRIP
I..486	BOQUILLA DESCARGA PROF/PM	PROF STEM
I.1130	TUERCA CON ARANDELA M5 INOX	NUT M5
I.1146	BANDEJA CIEGA BAR 2 GRUPOS	TRAY BLIND BAR 2GR
I.1325	BASE BAR 3GR	BASE BAR 3GR
I.1326	MARCO BASE BAR 3GR	BASE 3GR
I.1328	BANDEJA DESAGUE BAR 3GR	BAR 3GR TRAY
I.1331	TAPA TRASERA 3GR	BAR BACK LID 3GR
I.1336	SOPORTE CENTRALITA BAR	ELECTRONIC BOX SUPPORT
I.1337	COMPARTIMENTO DEPOSITO BAR 2GR	BAR COMPARTMENT
I.1338	BASE CAJON BAR 2 GR ONE/PF/KAP	BAR DRAWER BASE
I.1340	CAJON DEPOSITO BAR 2GR ONE/PF/KAP	BAR DRAWER
I.1679	COLUMNA BASE	COLUMN BASE
I.1738	TAPA TRASERA BAR 3GR INOX	REAR LID BAR 3GR INOX
I.2747	MONTANTE DERECHO BARISTA	RIGHT SUPPORT BARISTA
I.2748	MONTANTE IZQUIERDO BARISTA	LEFT SUPPORT BARISTA
I.2836	TAPA LATERAL DERECHA BARISTA	RIGHT SIDE LID BARISTA
I.2837	TAPA LATERAL IZQUIERDA BARISTA	LEFT SIDE LID BARISTA
I.3016	MONTANTE DERECHO	RIGHT STUD
I.3017	MONTANTE IZQUIERDO	LEFT STUD
I.3048	BARANDILLA BAR 3GR	RAILING BAR 3GR
I.3070	PIE INOX D60	INOX FOOT D60
I.3307	TAPA LATERAL DER. BARISTA INOX 2015	RIGHT SIDE LID BARISTA INOX 2015
I.3308	TAPA LATERAL IZQ. BARISTA INOX 2015	LEFT SIDE LID BARISTA INOX 2015
I.3426	CARATULA BAR 3GR	FRONTAL BAR 3GR
I.3432	IMAN CAJON DEPOSITO	TANK DRAWER MAGNET
I.3448	SOP. DESAGUE BAR BANDEJA CIEGA	SUPPORT DRAIN BAR
I.3454	SOPORTE IMAN CAJON DEPOSITO	TANK DRAWER MAGNET BRACKET
I.3480	TAPA SUPERIOR BAR 3GR	UPPER LID BAR 3GR
I.3498	TAPA LAT. DER. BAR DEPOSITO 2015	RIGHT SIDE LID TANK BAR 2015
I.3617	BASE MECANISMOS BAR 3GR	MECHANISM BASE BAR 3GR
I.3620	FRONTAL INTERMEDIO BAR 3GR	INTERMEDIATE FRONT BAR 3GR
I.3621	TAPA LAT. DERECHA BAR 2015 DEP. INOX	RIGHT LID TANK BAR INOX 2015
KIT238	KIT DESCARGA BANDEJA CIEGA BAR	DRAIN TRAY BLIND BAR KIT

Kit Leds (+04/2016) ■ Kit Leds (+04/2016)



REF.	DESCRIPCIÓN	DESCRIPTION
I..398	TUERCA AUTOBLOCANTE M3 INOX	M3 NUT
I.2284	TRANSF. LED BARISTA 230V (DC12V/18W)	230V (DC12V/18W)BARISTA LED TRANSF.
I.3476	TAPA LED BARISTA RAISED 2015	BARISTA RAISED 2015 CAP LED
I.3674	ILUMINACION BAR 1GR	LIGHTING BAR 1GR
I.3675	ILUMINACION BAR 2GR	LIGHTING BAR 2GR
I.3676	ILUMINACION BAR 3GR	LIGHTING BAR 3GR
KIT248	KIT LED BAR 1GR	1GR BAR LED KIT
KIT249	KIT LED BAR 2GR	2GR BAR LED KIT
KIT250	KIT LED BAR 3GR	3GR BAR LED KIT

9

Grupo thermoblock BAR (-9/2012) ■ BAR thermoblock group (-9/2012)

ASCASO

REF.	DESCRIPCIÓN	DESCRIPTION
ESC.13	GRUPO INFERIOR PORTA FIJO	FIXED FILTERHOLDER LOWER WHOLE
ESC.96	GRUPO PF LATON BAR 230V	BAR PF BRASS 230V
ESC196	GRUPO PF LATON BAR 120V	BAR PF BRASS 120V
I....1	BASE PORTA FIJO PULIDO	FIXED FILTERHOLDER BASE
I....4	SOPORTE MANGO	HANDLE SUPPORT
I....9	CUERPO VALVULA RETENCION	RETENTION VALVE BODY
I...11	MEMBRANA SILICONA	SILICONE MEMBRANE
I...13	VALVULA SILICONA	SILICONE VALVE
I...14	CASQUILLO RODADURA	CAP
I...15	MUELLE VALVULA RETENCION	RETENTION VALVE SPRING
I...18	JUNTA CIALDA GRUPO	RING
I...19	TORNILLO APRIETE SOPORTE MANGO	SCREW
I...22	FILTRO CIALDA N°1	N°1 POD FILTER
I...23	FILTRO CIALDA N°2	N°2 POD FILTER
I...26	TAPA INTERCAMBIADOR LATON	BRASS EXCHANGER LID
I...28	TORICA INTERCAMB.SILICONA	SILICONE RING
I...30	TORNILLO FIJACION INTERCAMBIAD	SCREW
I...31	TUERCA FIJACION INTERCAMBIADOR	NUT
I...34	TAPETA CAMARA ALUMINIO	ALUMINIUM COVER
I...36	TAPA INTERCAMBIADOR ALUMINIO	ALUMINIUM EXCHANGER LID
I...39	RODILLO LEVA	LEVER ROLLER
I...42	TERMOSTATO 95°	95° THERMOSTAT
I...44	RACOR CODO	ELBOW FITTING
I...55	DUCHA	SHOWER
I...69	FILTRO CIALDA N°0	N°0 FILTER
I...92	MACHON 1/8"	FITTING MALE
I...157	MUELLE FIJACION FUSIBLE PF	SPRING
I...185	PROTECTOR PORTA FIJO	FIXED HOLDER PROTECTOR
I...230	EMBOLO CON DUCHA	PISTON WITH SHOWER
I...259	ELECTROVALVULA PASO 1.5 220V	220V 3 WAY SOLENOID
I...287	MANGO PORTA CORTO	SHORT FILTERHOLDER HANDLE
I...346	TAPON 1/8	1/8 CAP
I...356	TORNILLO ALLEN	SCREW
I...358	TORNILLO PORTADUCHA INOX	INOX SCREW
I...361	GRUPO INTERCAMBIADOR ALUMINIO+	RESISTANCE 110V IN ALUMINIUM T
I...362	GRUPO INTERCAMBIADOR ALUMINIO+	220V ALUMINIUM THERMOBLOCK
I...363	GRUPO INTERCAMBIADOR LATON+RES	RESISTANCE 110V IN BRASS THERM
I...364	GRUPO INTERCAMBIADOR LATON+RES	220V BRASS THERMOBLOCK
I...627	FILTRO CIALDA N°1 A	N°1A FILTER
I...706	ELECTROVALVULA PASO 1.5 110V	120V 3 WAYS SOLENOID
I...710	TUERCA VALVULA RETENCION CAPS	NUT
I...867	EMBUDO PLASTICO PF	PLASTIC FUNNEL PF
I...868	SALIDA CAFE PLASTICO PF	PLASTIC 1 WAY OULET
I...895	TORNILLO FIJACION EMBUDO	FUNNEL FIXED SCREW
I...994	TERMOSTATO SEGURIDAD	SAFETY THERMOSTAT
I.1065	FILTRO R101 MOKADOR	FILTER R101 MOKADOR
I.1072	TUBO TEFLON 4X6 (180mm)	TEFLON PIPE 4X6 (180mm)
I.1078	TUBO TEFLON 4X6 (200mm)	TEFLON PIPE 4X6 (200mm)
I.1093	TUBO SILICONA 4X7 (300mm)	SILICONE PIPE 4X7 (300mm)
I.1136	TORNILLO ALLEN M5X35 INOX	ALLEN SCREW M5X35 INOX
I.1138	TORNILLO DIN 7985 M5X15 INOX	SCREW DIN 7985 M5X15 INOX
I.1180	CAMARA DE COMPRESION	COMPRESSION CHAMBER
I.1375	CACILLO CIALDA N° 0A	POD FILTER 0A
I.2105	TUBO SILICONA 4X7 (140mm)	4X7 (140mm) SILICONE PIPE
I.2710	LEVA 2015	LEVER 2015
I.2711	TORNILLO GUÍA 2015	GUIDE SCREW 2015
I.2720	VASTAGO ALUMINIO 2015	ALUMINIUM SHAFT 2015
I.2721	PIVOTE LEVA INOX 2015	INOX LEVER PIVOT 2015
KIT234	KIT LEVA + GUIAS 2015	KIT LEVER + GUIDES 2015
KIT235	KIT VASTAGO 2015	KIT SHAFT 2015

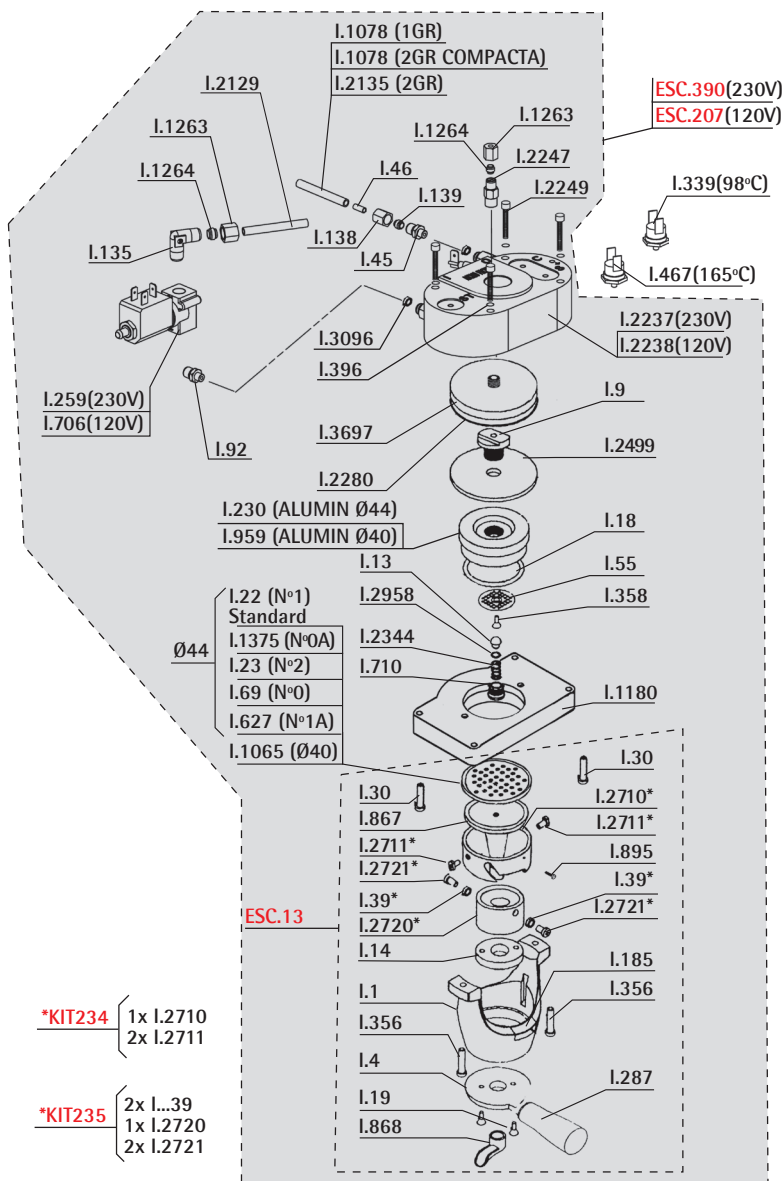
10

Grupo thermoblock BAR (+9/2012) ■ BAR thermoblock group (+9/2012)

ASCASO

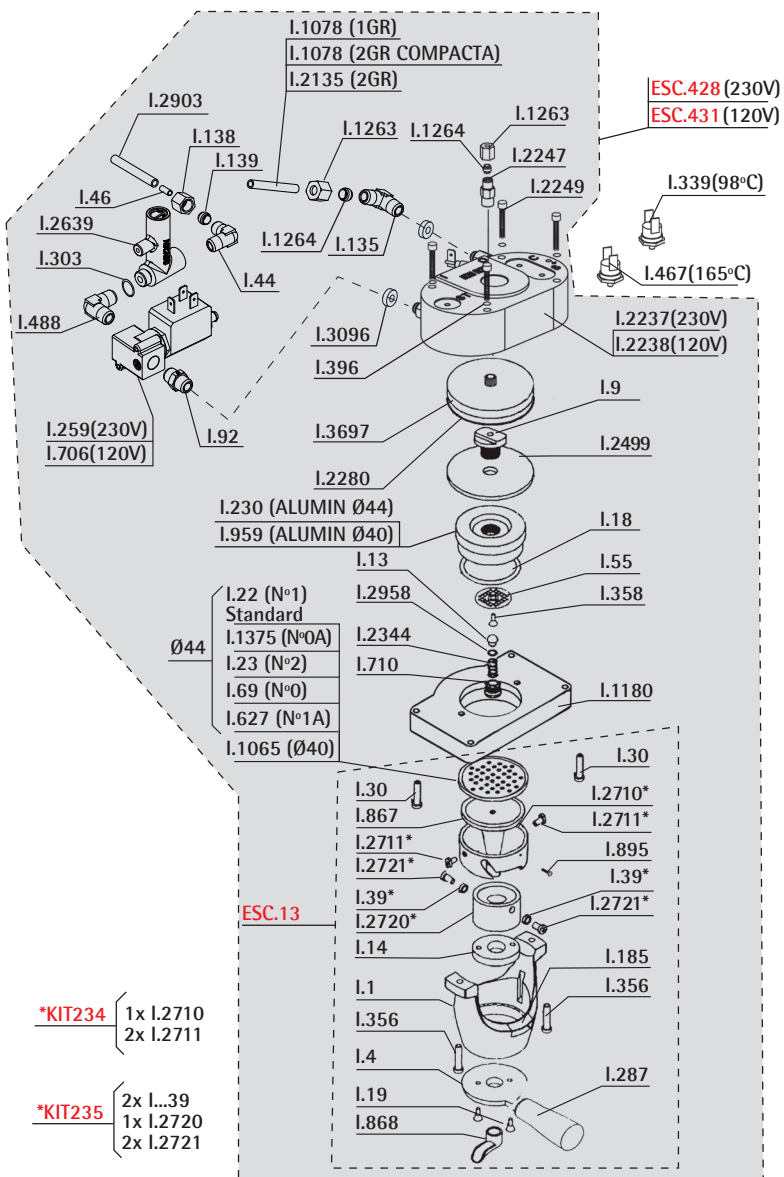
REF.	DESCRIPCIÓN	DESCRIPTION
ESC.13	GRUPO INFERIOR PORTA FIJO	FIXED FILTERHOLDER LOWER WHOLE
ESC207	GRUPO THERMOBLOCK INOX BAR PF	THERMOBLOCK INOX BAR PF 120V
ESC390	GRUPO THERMOBLOCK INOX BAR PF	230V THERMOBLOCK INOX BAR PF
I....1	BASE PORTA FIJO PULIDO	FIXED FILTERHOLDER BASE
I....4	SOPORTE MANGO	HANDLE SUPPORT
I....9	CUERPO VALVULA RETENCION	RETENTION VALVE BODY
I...11	MEMBRANA SILICONA	SILICONE MEMBRANE
I...13	VALVULA SILICONA	SILICONE VALVE
I...14	CASQUILLO RODADURA	CAP
I...18	JUNTA CIALDA GRUPO	RING
I...19	TORNILLO APRIETE SOPORTE MANGO	SCREW
I...22	FILTRO CIALDA N°1	N°1 POD FILTER
I...23	FILTRO CIALDA N°2	N°2 POD FILTER
I...30	TORNILLO FIJACION INTERCAMBIAD	SCREW
I...31	TUERCA FIJACION INTERCAMBIADOR	NUT
I...39	RODILLO LEVA	LEVER ROLLER
I...45	RACOR RECTO	STRAIGHT FITTING
I...46	REFUERZO TUBO	PIPE REINFORCEMENT
I...55	DUCHA	SHOWER
I...69	FILTRO CIALDA N°0	N°0 FILTER
I...92	MACHON 1/8"	FITTING MALE
I...135	RACOR CODO 13280	1/8 ELBOW FITTING
I...138	TUERCA BICONO	BICONE NUT
I...139	BICONO DE 6	BICONE
I...185	PROTECTOR PORTA FIJO	FIXED HOLDER PROTECTOR
I...230	EMBOLO CON DUCHA	PISTON WITH SHOWER
I...259	ELECTROVALVULA PASO 1.5 220V	220V 3 WAY SOLENOID
I...287	MANGO PORTA CORTO	SHORT FILTERHOLDER HANDLE
I...339	TERMOSTATO 98°	98° THERMOSTAT
I...356	TORNILLO ALLEN	SCREW
I...358	TORNILLO PORTADUCHA INOX	INOX SCREW
I...467	TERMOSTATO SEGURIDAD M4 165°	M4 165° SAFETY THERMOSTAT
I...627	FILTRO CIALDA N°1 A	N°1A FILTER
I...706	ELECTROVALVULA PASO 1.5 110V	120V 3 WAYS SOLENOID
I...710	TUERCA VALVULA RETENCION CAPS	NUT
I...867	EMBUDO PLASTICO PF	PLASTIC FUNNEL PF
I...868	SALIDA CAFE PLASTICO PF	PLASTIC 1 WAY OULET
I...895	TORNILLO FIJACION EMBUDO	FUNNEL FIXED SCREW
I.1065	FILTRO R101 MOKADOR	FILTER R101 MOKADOR
I.1078	TUBO TEFLON 4X6 (200mm)	TEFLON PIPE 4X6 (200mm)
I.1180	CAMARA DE COMPRESION	COMPRESSION CHAMBER
I.1263	TUERCA BICONO 4	BICONE NUT 4
I.1264	BICONO 4	BICONE 4
I.1375	CACILLO CIALDA N° 0A	POD FILTER 0A
I.2129	TUBO TEFLON 2x4 (190mm)	TEFLON PIPE 2x4 (190mm)
I.2135	TUBO TEFLON 4x6x350	TEFLON TUBE 4x6x350mm
I.2237	GRUPO INTERCAMBIADOR INOX 230V	230V INOX THERMOBLOCK
I.2238	CJTO. INTERCAMBIADOR INOX. 100	120V 1000V INOX EXCHANGER WHOLE
I.2247	RACOR CONEXION SOLO CAFE	COFFEE CONNECTOR FITTING
I.2249	TORNILLO ALLEN 5x50mm DIN912 I	INOX DIN912 M5x50 SCREW
I.2280	TORICA MOLIDO 69,57x1,78 EPDM	GASKET
I.2344	MUELLE VALVULA GRUPO INOX	THERMOBLOCK INOX SPRING
I.2710	LEVA 2015	LEVER 2015
I.2711	TORNILLO GUÍA 2015	GUIDE SCREW 2015
I.2720	VASTAGO ALUMINIO 2015	ALUMINIUM SHAFT 2015
I.2721	PIVOTE LEVA INOX 2015	INOX LEVER PIVOT 2015
I.3697	TAPETA NUEVO INTERCAMBIADOR LATON	EXCHANGER NEW LID BRASS
KIT234	KIT LEVA + GUIAS 2015	KIT LEVER + GUIDES 2015
KIT235	KIT VASTAGO 2015	KIT SHAFT 2015

ASCASO



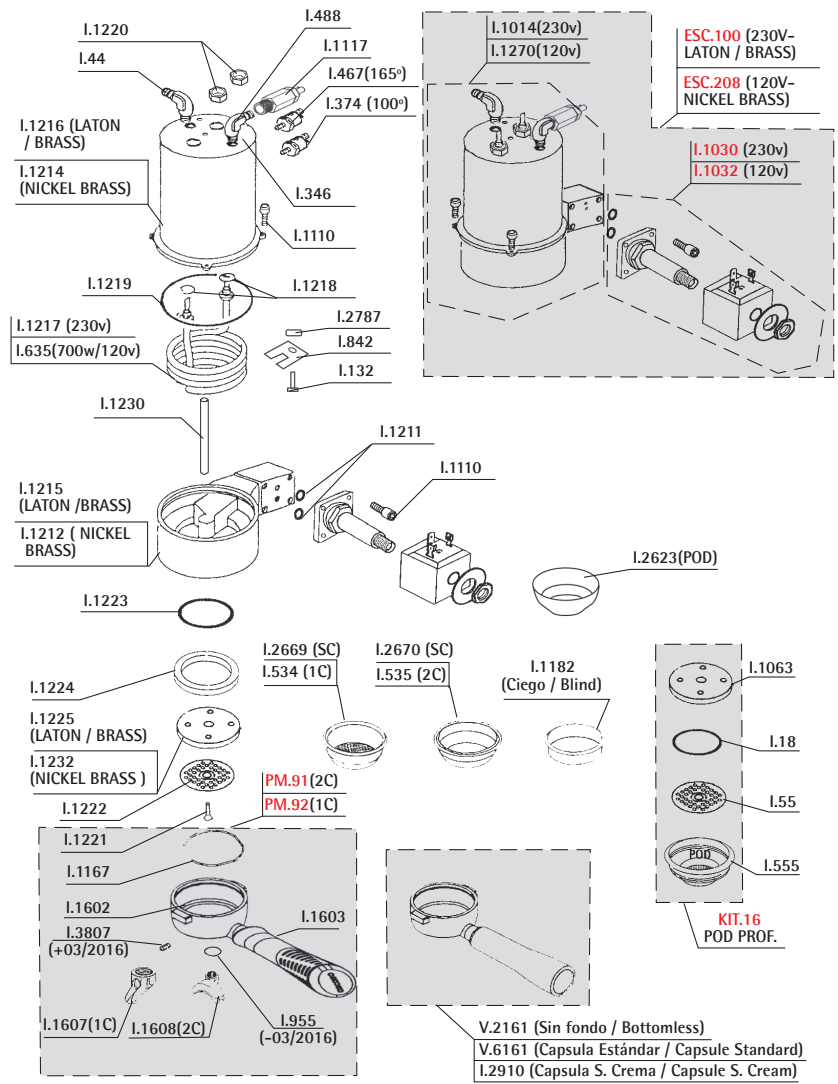
REF.	DESCRIPCIÓN	DESCRIPTION
ESC.13	CONJUNTO CALIZ CPTO	LIMESTONE COMPLETE SET
ESC207	GRUPO INTERCAMBIADOR INOX BAR PF 120V	GROUP THERM. INOX BAR PF 120V
ESC390	GRUPO INTERCAMBIADOR INOX BAR PF 230V	GROUP THERM. INOX BAR PF 230V
....1	BASE PORTA FIJO PULIDO	FIXED FILTERHOLDER BASE
....4	SOPORTE MANGO	HANDLE SUPPORT
....9	CUERPO VALVULA RETENCION	RETENTION VALVE BODY
....13	VALVULA SILICONA	SILICONE VALVE
....14	CASQUILLO RODADURA	CAP
....18	JUNTA CIALDA GRUPO	RING
....19	TORNILLO APRIETE SOPORTE MANGO INOX	SCREW
....22	FILTRO CIALDA N°1	N°1 POD FILTER
....23	FILTRO CIALDA N°2	N°2 POD FILTER
....30	TORNILLO FIJACION INTERCAMBIAD	SCREW
....39	RODILLO LEVA INOX	LEVER ROLLER
....45	RACOR RECTO	STRAIGHT FITTING
....46	REFUERZO TUBO	PIPE REINFORCEMENT
....55	DUCHA	SHOWER
....69	FILTRO CIALDA N°0	N°0 FILTER
....92	RACOR 1/8"	FITTING MALE
....135	RACOR CODO 13280 4 1/8	1/8 ELBOW FITTING
....138	TUERCA BICONO	BICONE NUT
....139	BICONO DE 6	BICONE
....185	PROTECTOR PORTA FIJO	FIXED HOLDER PROTECTOR
....230	EMBOLO ALUMINIO	PISTON WITH SHOWER
....259	ELECTROVALVULA PASO 1.5 220V	220V 3 WAY SOLENOID
....287	MANGO PORTA CORTO	SHORT FILTERHOLDER HANDLE
....339	TERMOSTATO 98°	98° THERMOSTAT
....356	TORNILLO ALLEN M5x15 INOX	INOX SCREW
....358	TORNILLO PORTADUCHA M4 INOX	INOX SCREW
....396	ARANDELA DENTADA M5 INOX	INOX WASHER
....467	TERMOSTATO SEGURIDAD M4 165°	M4 165° SAFETY THERMOSTAT
....627	FILTRO CIALDA N°1 A	N°1A FILTER
....706	ELECTROVALVULA PASO 1.5 110V	120V 3 WAYS SOLENOID
....710	TUERCA VALVULA RETENCION CON DUCHA	NUT
....867	EMBUDO PLASTICO PF	PLASTIC FUNNEL PF
....868	SALIDA CAFE PLASTICO PF	PLASTIC 1 WAY OULET
....895	TORNILLO FIJACION EMBUDO INOX	FUNNEL FIXED SCREW
....959	EMBOLO 40	PISTON 40
....1065	FILTRO R101 MOKADOR	FILTER R101 MOKADOR
....1078	TUBO TEFLON 4x6 (200mm)	TEFLON PIPE 4x6 (200mm)
....1180	CAMARA DE COMPRESION BAR	COMPRESSION CHAMBER
....1263	TUERCA BICONO 4	BICONE NUT 4
....1264	BICONO 4	BICONE 4
....1375	CACILLO CIALDA N° 0A	POD FILTER 0A
....12129	TUBO TEFLON 2x4 (190mm)	TEFLON PIPE 2x4 (190mm)
....12135	TUBO TEFLON 4x6 (350mm)	TEFLON PIPE 4x6 (350mm)
....2237	GRUPO INTERCAMBIADOR INOX 230V	230V INOX THERMOBLOCK
....2238	GRUPO INTERCAMBIADOR INOX 120V	120V INOX THERMOBLOCK
....2247	RACOR CONEXION SOLO CAFE	COFFEE CONNECTOR FITTING
....2249	TORNILLO ALLEN M5x50 DIN912	INOX DIN912 M5x50 SCREW
....2280	JUNTA TORICA 68x2 SILICONA	O-RING 68x2 SILICONE
....2344	MUELLE VALVULA GRUPO INOX	THERMOBLOCK INOX SPRING
....2499	MEMBRANA KAP	SILICONE WASHER KAP
....2710	LEVA 2015	LEVER 2015
....2711	TORNILLO GUIA 2015	GUIDE SCREW 2015
....2720	VASTAGO ALUMINIO 2015	ALUMINIUM SHAFT 2015
....2721	PIVOTE LEVA INOX 2015	INOX LEVER PIVOT 2015
....2958	ARANDELA APOYO	WASHER
....3096	JUNTA INTERCAMBIADOR	HEAT EXCHANGER GASKET
....3697	TAPETA NUEVO INTERCAMBIADOR LATON	EXCHANGER NEW LID BRASS
KIT234	KIT LEVA + GUIAS 2015	KIT LEVER + GUIDES 2015
KIT235	KIT VASTAGO 2015	KIT SHAFT 2015

Grupo thermoblock BAR (+06/2016) ■ BAR thermoblock group (+06/2016)

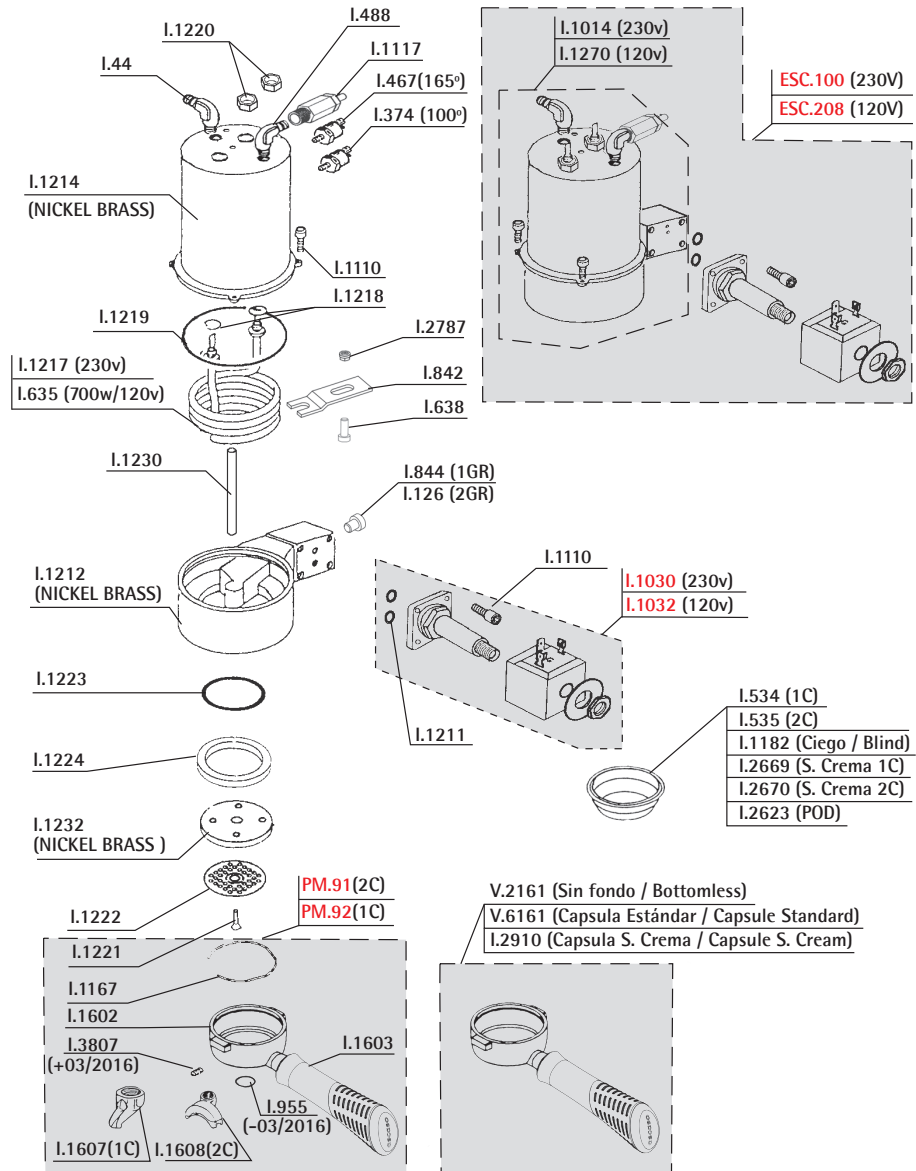


REF.	DESCRIPCIÓN	DESCRIPTION
ESC.13	CONJUNTO CALIZ CPTO	LIMESTONE COMPLETE SET
ESC428	GRUPO INTERCAMB. INOX BAR PF 230V 2016	GROUP THERM. INOX BAR PF 230V 2016
ESC431	GRUPO INTERCAMB. INOX BAR PF 110V 2016	GROUP THERM. INOX BAR PF 230V 2016
....1	BASE PORTA FIJO PULIDO	FIXED FILTERHOLDER BASE
....4	SOPORTE MANGO	HANDLE SUPPORT
....9	CUERPO VALVULA RETENCION	RETENTION VALVE BODY
....13	VALVULA SILICONA	SILICONE VALVE
....14	CASQUILLO RODADURA	CAP
....18	JUNTA CIALDA GRUPO	RING
....19	TORNILLO APRIETE SOPORTE MANGO INOX	SCREW
....22	FILTRO CIALDA N°1	N°1 POD FILTER
....23	FILTRO CIALDA N°2	N°2 POD FILTER
....30	TORNILLO FIJACION INTERCAMBIAD	SCREW
....39	RODILLO LEVA INOX	LEVER ROLLER
....44	RACOR CODO	RL BOIX FITTING
....45	RACOR RECTO	STRAIGHT FITTING
....46	REFUERZO TUBO	PIPE REINFORCEMENT
....55	DUCHA	SHOWER
....69	FILTRO CIALDA N°0	N°0 FILTER
....92	RACOR 1/8"	FITTING MALE
....135	RACOR CODO 13280 4 1/8	1/8 ELBOW FITTING
....138	TUERCA BICONO	BICONE NUT
....139	BICONO DE 6	BICONE
....185	PROTECTOR PORTA FIJO	FIXED HOLDER PROTECTOR
....230	EMBOLO ALUMINIO	PISTON WITH SHOWER
....259	ELECTROVALVULA PASO 1.5 220V	220V 3 WAY SOLENOID
....287	MANGO PORTA CORTO	SHORT FILTERHOLDER HANDLE
....303	TORICA S-2	S-2 RING
....339	TERMOSTATO 98°	98° THERMOSTAT
....356	TORNILLO ALLEN M5x15 INOX	INOX SCREW
....358	TORNILLO PORTADUCHA M4 INOX	INOX SCREW
....396	ARANDELA DENTADA M5 INOX	INOX WASHER
....467	TERMOSTATO SEGURIDAD M4 165°	M4 165° SAFETY THERMOSTAT
....488	RACOR CODO 1/8 M-H	1/8 M-H ELBOW FITTING
....627	FILTRO CIALDA N°1 A	N°1A FILTER
....706	ELECTROVALVULA PASO 1.5 110V	120V 3 WAYS SOLENOID
....710	TUERCA VALVULA RETENCION CON DUCHA	NUT
....867	EMBUDO PLASTICO PF	PLASTIC FUNNEL PF
....868	SALIDA CAFE PLASTICO PF	PLASTIC 1 WAY OULET
....895	TORNILLO FIJACION EMBUDO INOX	FUNNEL FIXED SCREW
....959	EMBOLO 40	PISTON 40
....1065	FILTRO R101 MOKADOR	FILTER R101 MOKADOR
....1078	TUBO TEFLON 4x6 (200mm)	TEFLON PIPE 4x6 (200mm)
....1180	CAMARA DE COMPRESION BAR	COMPRESSION CHAMBER
....1263	TUERCA BICONO 4	BICONE NUT 4
....1264	BICONO 4	BICONE 4
....1375	CACILLO CIALDA N° 0A	POD FILTER 0A
....12129	TUBO TEFLON 2x4 (190mm)	TEFLON PIPE 2x4 (190mm)
....12135	TUBO TEFLON 4x6 (350mm)	TEFLON PIPE 4x6 (350mm)
....2237	GRUPO INTERCAMBIADOR INOX 230V	230V INOX THERMOBLOCK
....2238	GRUPO INTERCAMBIADOR INOX 120V	120V INOX THERMOBLOCK
....2247	RACOR CONEXION SOLO CAFE	COFFEE CONNECTOR FITTING
....2249	TORNILLO ALLEN M5x50 DIN912	INOX DIN912 M5x50 SCREW
....2280	JUNTA TORICA 68x2 SILICONA	O-RING 68x2 SILICONE
....2344	MUELLE VALVULA GRUPO INOX	THERMOBLOCK INOX SPRING
....2499	MEMBRANA KAP	SILICONE WASHER KAP
....2639	BY-PASS ASCASO	BY-PASS ASCASO
....2710	LEVA 2015	LEVER 2015
....2711	TORNILLO GUIA 2015	GUIDE SCREW 2015
....2720	VASTAGO ALUMINIO 2015	ALUMINIUM SHAFT 2015
....2721	PIVOTE LEVA INOX 2015	INOX LEVER PIVOT 2015
....2903	TUBO TEFLON 2x4 (170mm)	TEFLON PIPE 2x4 (170mm)
....2958	ARANDELA APOYO	WASHER
....3096	JUNTA INTERCAMBIADOR	HEAT EXCHANGER GASKET
....3697	TAPETA NUEVO INTERCAMBIADOR LATON	EXCHANGER NEW LID BRASS
KIT234	KIT LEVA + GUIAS 2015	KIT LEVER + GUIDES 2015
KIT235	KIT VASTAGO 2015	KIT SHAFT 2015

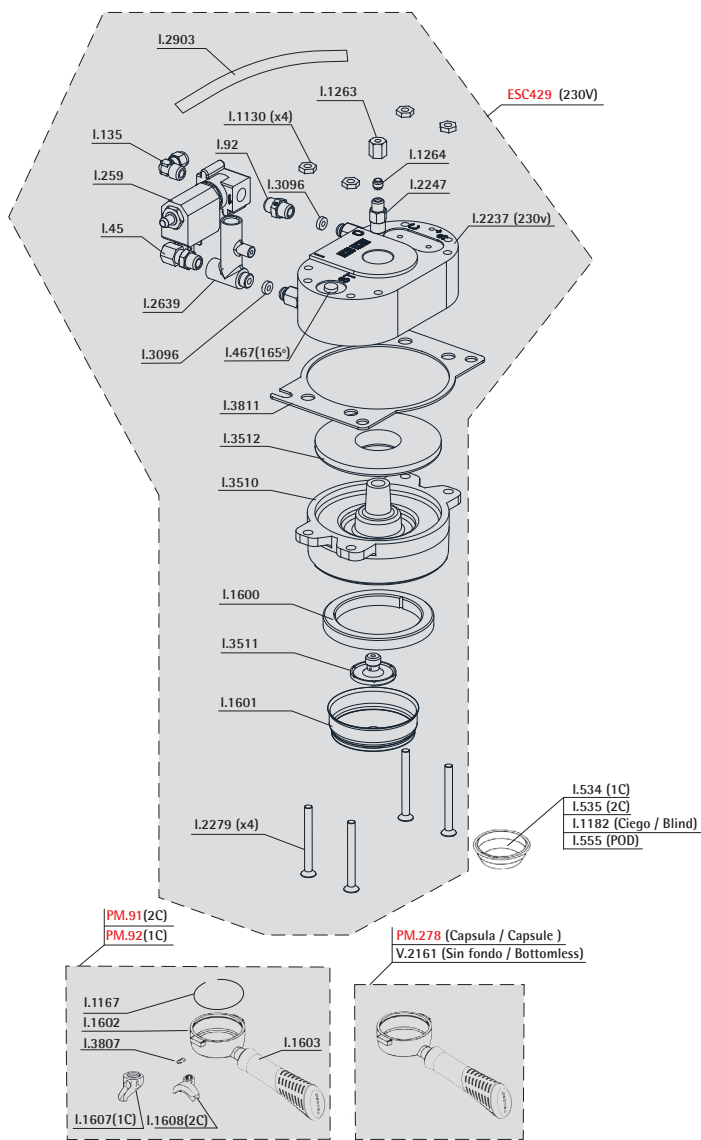
REF.	DESCRIPCIÓN	DESCRIPTION
ESC100	GRUPO CALDERA PROF BAR 230V	230V BAR PROF BOILER GROUP
ESC208	GRUPO CALDERA PROF BAR 120V	120V BAR PROF BOILER GROUP
I...18	JUNTA TORICA CIALDA	RING
I...44	RACOR CODO	ELBOW FITTING
I...55	DUCHA	SHOWER
I..132	TORNILLO M5x8 INOX	SCREW
I..374	TERMOSTATO 100°	100° THERMOSTAT
I..346	TAPON 1/8 M	1/8 CAP
I..467	TERMOSTATO SEG M4 165°	M4 165° SAFETY THERMOSTAT
I..488	RACOR CODO 1/8 M-H	1/8 M-H ELBOW FITTING
I..534	FILTRO 1 CAFE PROFESIONAL	PROFESSIONAL 1 COFFEE FILTER
I..535	FILTRO 2 CAFES PROFESIONAL	PROFESSIONAL 2 COFFEE FILTER
I..555	CACILLO PASTILLA 1 CAFE	1 CUP POD FILTER
I..635	RESISTENCIA PROF.700W / 120V	700W / 120V PROF RESISTANCE
I..842	BRIDA FIJ.GRUPO I-STEEL PROF	CLIP FOR GROUP I-STEEL PROF
I..955	TORICA SALIDA CAFE PROF.	PROF COFFEE SPOUT RING
I.1014	GRUPO PROF. 1200W/220V	PROF GROUP 230V 1200W
I.1030	ELECTROV. GRUPO PROF. C 230V NSF	GROUP PROF SOLENOID 230V
I.1032	ELECTROV. GRUPO PROF. C 120V	GROUP PROF. SOLENOID 120V
I.1063	PORTADUCHA POD PROF	POD PROF SHOWERHOLDER
I.1110	TORNILLO ALLEN M4x10	ALLEN SCREW M4x10
I.1117	CJTO VALVULA EXPANSION	EXPANSION VALVES GROUP
I.1167	ARO RETENCION FILTRO PROF.	PROF SPRING FILTER
I.1182	CACILLO CIEGO	BLIND FILTER
I.1211	TORICA ELECTROVALVULA	SOLENOID RING
I.1212	BASE CALDERA PROF. NIQUEL	NICKEL PROF. BOILER BASE
I.1214	CALDERA PROF. NIQUEL	NICKEL PROF. BOILER
I.1215	BASE CALDERA PROF. LATON	BRASS PROF. BOILER BASE
I.1216	CALDERA PROF. LATON	BRASS PROF. BOILER
I.1217	RESIST. CALDERA PROF 230V	PROF BOILER RESIST. 230V
I.1218	JUNTA RESISTENCIA	RESISTANCE GASKET
I.1219	JUNTA CALDERA	BOILER GASKET
I.1220	TUERCA CALDERA PROF	PROF. BOILER NUT
I.1221	TORNILLO ALLEN M 5x12 INOX	INOX M5x12 SREW
I.1222	DUCHA BAR	BAR SHOWER
I.1223	JUNTA PORTADUCHAS	SHOWER HOLDER GASKET
I.1224	JUNTA PORTAFILTRO	FILTERHOLDER GASKET
I.1225	PORTADUCHAS PROF	PROF SHOWER HOLDER
I.1230	CHIMENEA CALDERA PROF	NUT WITH GASKET M8
I.1232	PORTADUCHAS PROF. NIQUEL	NICKEL PROF SHOWERHOLDER
I.1270	GRUPO PROF. 700W/120V	PROF GROUP 700W/120V
I.1602	CUERPO PORTAFILTRO M12 INCLINADO	INCLINED BRASS F.HOLDER M12
I.1603	MANGO PORTAFILTRO BARISTA	FILTERHOLDER HANDLE
I.1607	SALIDA 1 CAFE ABIERTA	1 COFFEE SPOUT
I.1608	SALIDA 2 CAFES ABIERTA	2 COFFEES SPOUT
I.2623	CACILLO POD PROF.	LADLE POP PROF.
I.2669	CACILLO 1C SC PROF.	FILTER 1C SC PROF.
I.2670	CACILLO 2C SC PROF	FILTER 2C SC PROF.
I.2787	TUERCA AUTOBLOC. D985 A2 M5 INOX	LOCK NUT D85 A2 M5
I.2910	PORTA SUPER-CREMA PROF CAPSULA	CAPSULE S. CREAM F.HOLDER
I.3807	ESPARRAGO ALLEN DIN 914 INOX M4x4	SOCKET SET SCREW DIN914 M4x4
KIT.16	KIT POD PROF	PROF POD KIT
PM..91	CJT PORTAFILTRO PROF 2 CAFES	2 COFFEES PROF F.HOLDER WHOLE
PM..92	CJT PORTAFILTRO PROF 1 CAFE	1 COFFEE PROF F.HOLDER WHOLE
V.2161	PORTAFILTRO SIN FONDO WEGA	WEGA WITHOUT BOTTOM F.HOLDER
V.6161	PORTAFILTRO CAPSULA BAR	BAR CAPSULE FILTERHOLDER



REF.	DESCRIPCIÓN	DESCRIPTION
ESC100	GRUPO CALDERA PROF BAR 230V	GROUP BOILER PROF BAR 230V
ESC208	GRUPO CALDERA PROF BAR 120V	GROUP BOILER PROF BAR 120V
I...44	RACOR CODO	RL BOIX FITTING
I..126	TORNILLO ALLEN M8x15 INOX	INOX M8x15 SCREW
I..374	TERMOSTATO 100°	100° THERMOSTAT
I..467	TERMOSTATO SEGURIDAD M4 165°	M4 165° SAFETY THERMOSTAT
I..488	RACOR CODO 1/8 M-H	1/8 M-H ELBOW FITTING
I..534	FILTRO 1 CAFE PROFESIONAL	PROFESSIONAL 1 COFFEE FILTER
I..535	FILTRO 2 CAFES PROFESIONAL	PROFESSIONAL 2 COFFEE FILTER
I..635	RESISTENCIA PROF. 700W / 120V	700W / 120V PROF RESISTANCE
I..638	TORNILLO SUJECION TERMOMETRO INOX	THERMOMETER SCREW
I..842	BRIDA FIJACION GRUPO I-STEEL PROF	CLIP FOR GROUP I-STEEL PROF
I..844	TORNILLO ALLEN DIN 912 M8x10 A4 INOX	SCREW
I..955	TORICA SALIDA CAFE PROF.	PROF COFFEE SPOUT RING
I.1014	GRUPO PROF. 1200W/220V	PROF GROUP 230V 1200W
I.1030	ELECTROVALVULA GRUPO PROF. 230V	GROUP PROF. SOLENOID 230V
I.1032	ELECTROVALVULA GRUPO PROF. 120V	GROUP PROF. SOLENOID 120V
I.1110	TORNILLO ALLEN M4x10	ALLEN SCREW M4x10
I.1117	CONJUNTO VALVULA EXPANSION	EXPANSION VALVES GROUP
I.1167	ARO RETENCION FILTRO PROF.	PROF SPRING FILTER
I.1182	CACILLO CIEGO PROF / BARISTA	PROF. BLIND FILTER
I.1211	TORICA ELECTROVALVULA	SOLENOID RING
I.1212	CAMPANA CALDERA PROF. STECHCROM	NICKEL PROF. BOILER BASE
I.1214	CALDERA PROF. NIQUEL	NICKEL PROF. BOILER
I.1217	RESISTENCIA CALDERA PROF. 230V 1200W	PROF BOILER RESISTANCE 230V
I.1218	JUNTA RESISTENCIA 17x12x2mm	RESISTANCE GASKET 17x12x2mm
I.1219	JUNTA CALDERA	BOILER GASKET
I.1220	TUERCA CALDERA PROF.	PROF. BOILER NUT
I.1221	TORNILLO ALLEN M5x12 INOX	INOX M5x12 SCREW
I.1222	DUCHA BAR	BAR SHOWER
I.1223	JUNTA PORTADUCHAS	SHOWER HOLDER GASKET
I.1224	JUNTA PORTAFILTRO	FILTERHOLDER GASKET
I.1230	CHIMENEA CALDERA PROF	NUT WITH GASKET M8
I.1232	PORTADUCHAS PROF. NIQUEL	NICKEL PROF SHOWERHOLDER
I.1270	GRUPO PROF. 700W / 120V	PROF GROUP 120V / 700W
I.1602	CUERPO PORTAFILTRO M12 INCLINADO	M12 FILTERHOLDER BODY
I.1603	MANGO PORTAFILTRO BARISTA	FILTERHOLDER HANDLE
I.1607	SALIDA 1 CAFE ABIERTA	1 COFFEE SPOUT
I.1608	SALIDA 2 CAFES ABIERTA	2 WAYS COFFEE SPOUT
I.2623	CACILLO POD PROF.	CUP FILTER PROF.
I.2669	CACILLO 1C SC PROF.	FILTER 1C PRESSURIZED PROF
I.2670	CACILLO 2C SC PROF	FILTER 2C PRESSURIZED PROF
I.2787	TUERCA AUTOBLOCANTE D985 D2 M5	AUTOBLOC NUT
I.2910	PORTA SUPER-CREMA PROF. CAPSULA	CAPSULE S. CREAM FILTERHOLDER
I.3807	ESPARRAGO ALLEN DIN914 INOX M4x4	SOCKET SET SCREW DIN914 M4x4
PM..91	PORTAFILTRO PROF 2 CAFES	2 COFFEES PROF FILTERHOLDER WHOLE
PM..92	PORTAFILTRO PROF 1 CAFE	1 COFFEE PROF FILTERHOLDER WHOLE
V.2161	CJT PORTAFILTRO SIN FONDO PROF.	BOTTOMLESS FILTERHOLDER
V.6161	PORTAFILTRO CAPSULA BAR	BAR CAPSULE FILTERHOLDER

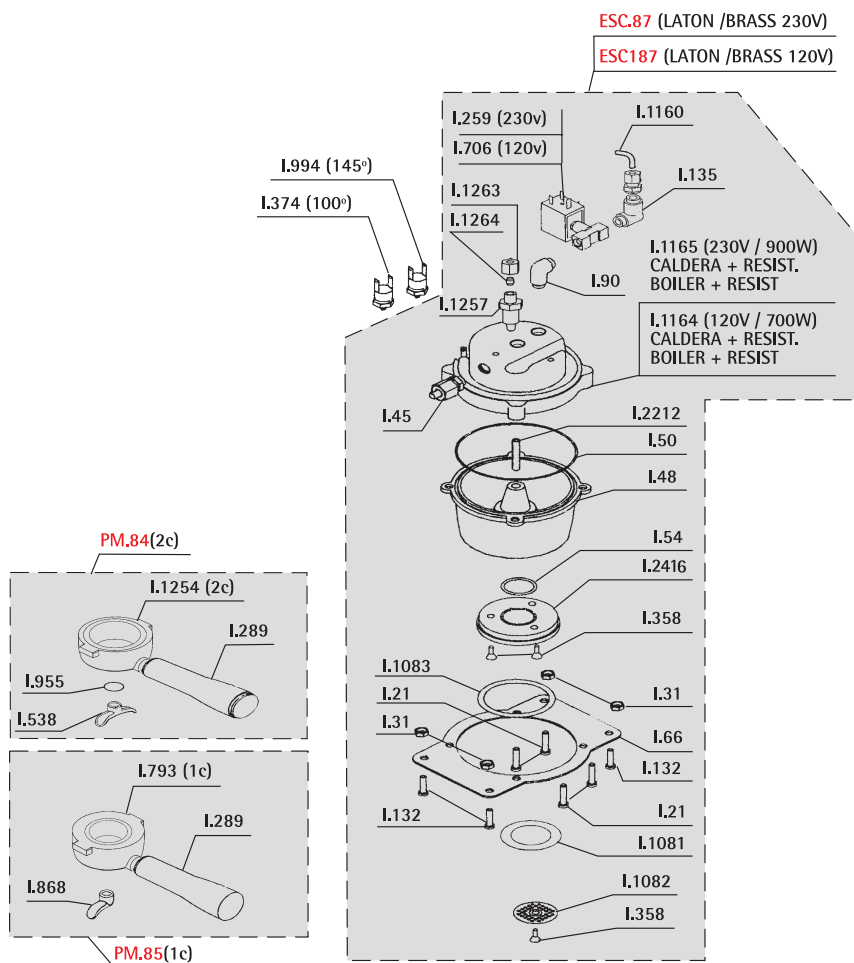






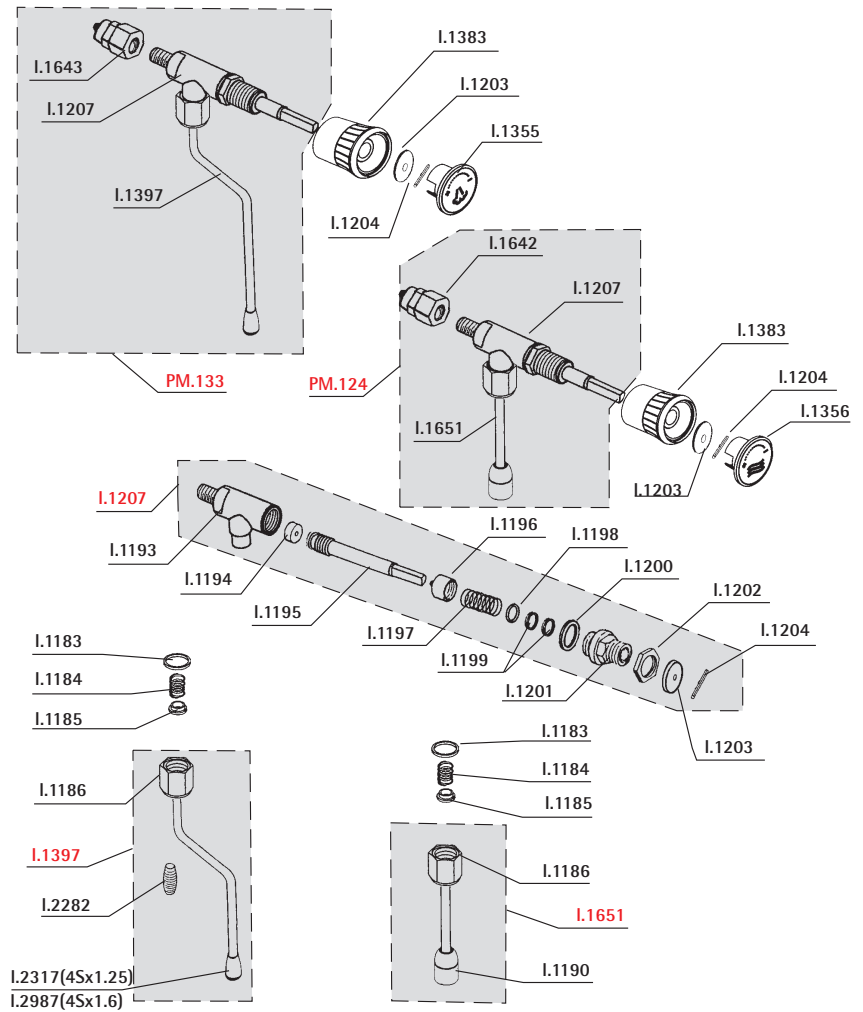
REF.	DESCRIPCIÓN	DESCRIPTION
ESC429	GRUPO INTERCAMBIADOR INOX BAR PROF 2016	GROUP INOX PROF BAR 2016
L...45	RACOR RECTO	STRAIGHT FITTING
L...92	RACOR 1/8"	FITTING MALE
L.135	RACOR CODO 13280 4 1/8	FITTING
L.259	ELECTROV. 3 VIAS 230V 1/8-1/8 0-15BAR	3 WAY SOLENOID
L.467	TERMOSTATO SEGURIDAD M4 165°	M4 165° SAFETY THERMOSTAT
L.534	FILTRO 1 CAFE PROFESIONAL	PROFESSIONAL 1 COFFEE FILTER
L.535	FILTRO 2 CAFES PROFESIONAL	PROFESSIONAL 2 COFFEE FILTER
L.555	CACILLO POD PROF.	POD PROF. FILTER
L.1130	TUERCA CON ARANDELA M5 INOX	NUT M5
L.1167	ARO RETENCION FILTRO PROF.	PROF. SPRING FILTER
L.1182	CACILLO CIEGO PROF / BARISTA	PROF. BLIND FILTER
L.1263	TUERCA BICONO 4	BICONE NUT 4
L.1264	BICONO 4mm	BICONE 4
L.1600	JUNTA PORTAFILTROS 8 mm	FILTERHOLDER GASKET 8MM
L.1601	DUCHA DOBLE BARISTA	DOUBLE GROUP FILTER
L.1602	CUERPO PORTAFILTRO M12 INCLINADO	M12 FILTERHOLDER BODY
L.1603	MANGO PORTAFILTRO BARISTA	FILTERHOLDER HANDLE
L.1607	SALIDA 1 CAFE ABIERTA	1 COFFEE SPOUT
L.1608	SALIDA 2 CAFES ABIERTA	2 WAYS COFFEE SPOUT
L.2237	CJTO INTERCAMBIADOR INOX. 230V	THERMOBLOCK INOX. 230V
L.2247	RACOR CONEXION SOLO CAFE	FITTING
L.2279	TORNILLO M5X50 DIN7991 A-4 80 INOX	SCREW M5X50 DIN7991 A-2 SS
L.2639	BY-PASS ASCASO	BY-PASS ASCASO
L.2903	TUBO TEFLON 2X4 (170mm)	TEFLON PIPE 2X4 (170mm)
L.3096	JUNTA INTERCAMBIADOR	HEAT EXCHANGER GASKET
L.3510	CAMPANA PROF. 2016	BELL PROF. 2016
L.3511	ROCIADOR GRUPO PROF. 2016	SPRAY GROUP PROF. 2016
L.3512	POSTIZO CAMPANA PROF. 2016	BELL PROF. 2016 SUPPLEMENT
L.3807	ESPARRAGO ALLEN DIN 914 INOX M4x4	SOCKET SCREW DIN914 M4x4 INOX
L.3811	CHAPA SOPORTE GRUPO PROF 2016	GROUP PROF 2016 SUPPORT SHEET
PM..91	PORTAFILTRO PROF 2 CAFES	2 COFFEES PROF FILTERHOLDER WHOLE
PM..92	PORTAFILTRO PROF 1 CAFE	1 COFFEE PROF FILTERHOLDER WHOLE
PM.278	PORTAFILTRO COMPLETO CAPSULA 2016	COMPLETE CAPSULE FILTERHOLDER 2016
V.2161	PORTAFILTRO SIN FONDO PROF.	BOTTOMLESS FILTERHOLDER

Grupo cápsula BAR (+04/2012 - 2015) ■ BAR capsule group (+04/2012 - 2015)

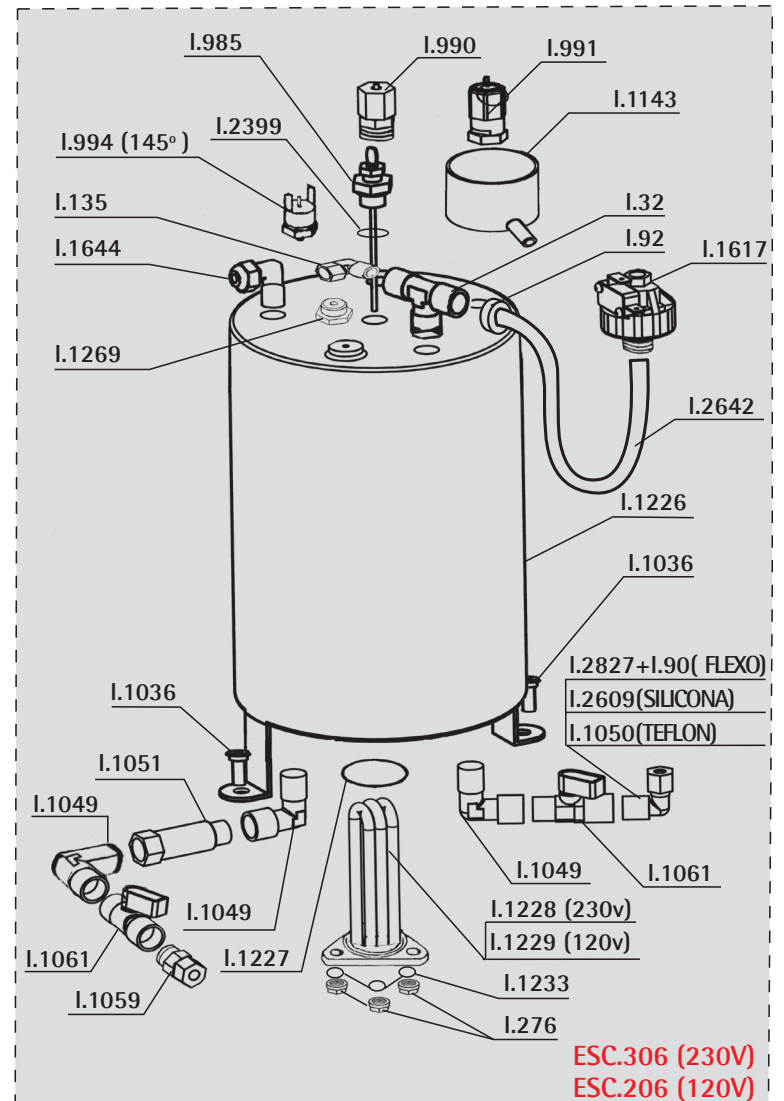


REF.	DESCRIPCIÓN	DESCRIPTION
ESC.87	GRUPO CAPSULA BAR 230V	CAP GROUP BAR 230V
ESC.187	GRUPO CAPSULA BAR 120V	CAP GROUP BAR 120V
L...21	TORNILLO INOX APRIETE PORTA	INOX SCREW
L...31	TUERCA FIJACION INTERCAMBIADOR	NUT
L...45	RACOR RECTO	STRAIGHT FITTING
L...48	CAMPANA GRUPO LATON	BRASS GROUP BELL
L...50	TORICA CALDERA SILICONA	SILICONE BOILER GASKET
L...54	JUNTA PORTADUCHA SILICONA	SILICONE GASKET
L...66	CHAPA SOPORTE CALDERA	BOILER PLATE
L...90	RACOR CODO	ELBOW FITTING
L.132	TORNILLO M5x8 INOX	DREAM FIXATION SCREW
L.135	RACOR CODO 13280	1/8 ELBOW FITTING
L.259	ELECTROVALVULA PASO 1.5 220V	220V 3 WAY SOLENOID
L.289	MANGO	HANDLE WHOLE
L.358	TORNILLO PORTADUCHA INOX	INOX SCREW
L.374	TERMOSTATO 100°	100° THERMOSTAT
L.538	SALIDA 2 CAFES PROF	PROF.2 COFFEES SPOUT
L.706	ELECTROVALVULA PASO 1.5 110V	120V 3 WAYS SOLENOID
L.793	PORTA CAPSULA	CAPSULE FILTERHOLDER
L.868	SALIDA CAFE PLASTICO PF	PLASTIC 1 WAY OULET
L.955	TORICA SALIDA CAFE PROF.	PROF COFFEE SPOUT RING
L.994	TERMOSTATO SEGURIDAD	SAFETY THERMOSTAT
L.1081	JUNTA SILICONA CAPSULA	SILICONE 28X24X3
L.1082	DUCHA CAPSULA	CAP SHOWER
L.1083	TORICA PORTADUCHA CAPSULA	RING 48X2.5 EPDM
L.1160	TUBO TEFLON 2x4 (120mm)	TEFLON PIPE 2X4 (120mm)
L.1164	TAPA CALDERA OPV RES. 120V 700W	BOILER OPV+RESISTANCE LID 120
L.1165	TAPA CALDERA OPV RES. 230V 900W	BOILER OPV+RESISTANCE LID 230
L.1254	PORTA CAPSULA DOBLE	DOUBLE CAPSULE HOLDER
L.1257	RACOR ELECTROVALVULA	SOLENOID FITTING
L.1263	TUERCA BICONO 4	BICONE NUT 4
L.1264	BICONO 4	BICONE 4
L.2212	TUBO CHIMENEA UP	UP OUTLET PIPE
L.2416	PORTADUCHAS CAPSULA	SHOWER CAPSULE FILTERHOLDER
PM..84	PORTAFILTRO CAPSULA DOBLE	DOUBLE CAPSULE HOLDER WHOLE
PM..85	PORTAFILTRO CAPSULA 1 CAFE	1 COFFEE CAPSULE HOLDER WHOLE

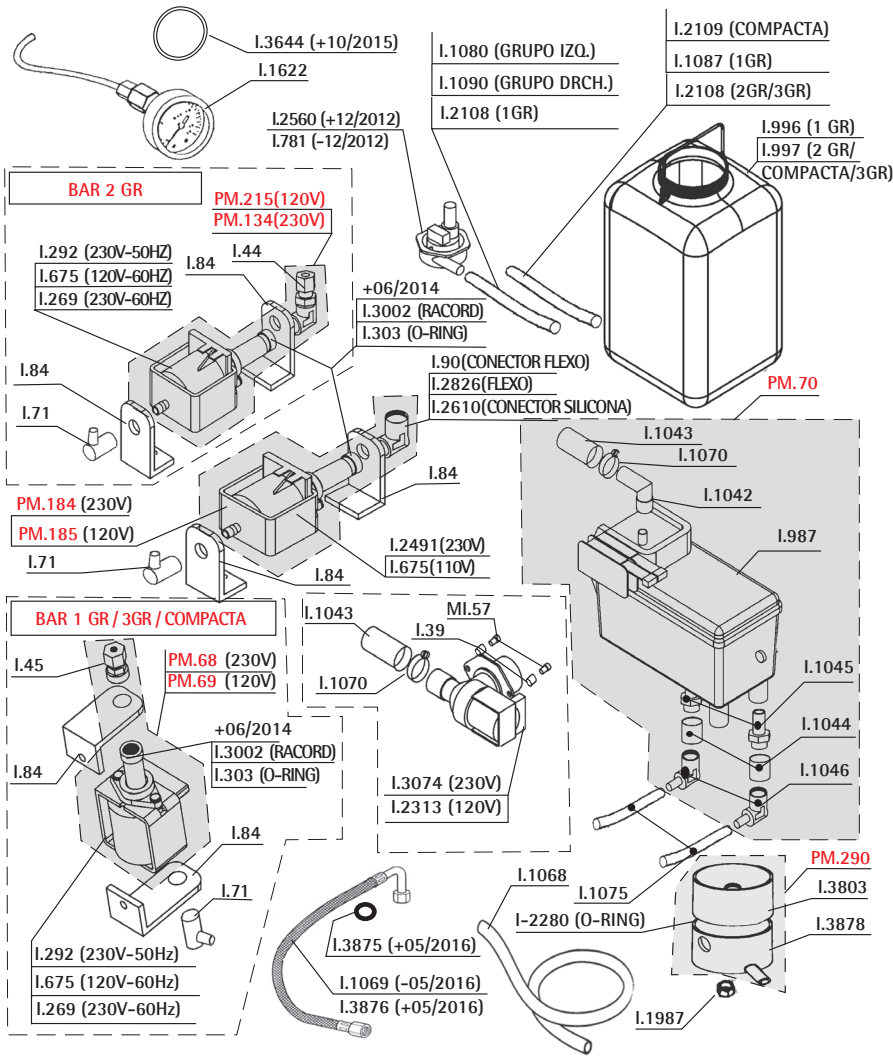
REF.	DESCRIPCIÓN	DESCRIPTION
I.1183	ARANDELA GRIFO AGUA	WATER TAP WASHER
I.1184	MUELLE GRIFO SALIDA VAPOR-AGUA	STEAM-WATER OUTLET TAP SPRING
I.1185	GUIA MUELLE GRIFO AGUA	SPRING GUIDE WATER TAP
I.1186	TUERCA TUBO SALIDA VAPOR-AGUA	STEAM WATER OUTLET PIPE NUT
I.1190	SALIDA GRIFO AGUA	WATER TAP OUTLET
I.1193	CUERPO GRIFO	TAP BODY
I.1194	TACO GRIFO	TAP GASKET
I.1195	EJE GRIFO	TAP ROD
I.1196	ALOJAMIENTO TACO GRIFO	TAP HOLDER LODGING
I.1197	MUELLE EJE GRIFO	TAP ROD SPRING
I.1198	GUIA MUELLE EJE GRIFO	SPRING GUIDE ROD TAP
I.1199	JUNTA EJE GRIFO	ROD TAP GASKET
I.1200	ARANDELA COBRE GRIFO	TAP COPPER WASHER
I.1201	RACOR GRIFO	TAP FITTING
I.1202	TUERCA GRIFO	TAP NUT
I.1203	ARANDELA GRIFO	TAP COPPER
I.1204	PASADOR GRIFO	TAP PIN
I.1207	GRIFO VAPOR-AGUA N. QUIMICO	STEAM-WATER TAP
I.1355	TAPA POMO VAPOR	STEAM HANDLE LID
I.1356	TAPA POMO AGUA	WATER HANDLE LID
I.1383	POMO GRIFO VAPOR/AGUA BARISTA	BARISTA WATER/STEAM TAP HANDLE
I.1397	TUBO VAPOR INOX ANTICALORICO	ANTICALORIC INOX STEAM PIPE
I.1642	RACOR 6/4 1/4 NIQUEL	INJECTOR FITTING
I.1643	RACORD GRIFO VAPOR NIQUEL	NECKEL STEAM TAP FITTING
I.1651	TUBO AGUA INOX ANTICALORICO	ANTICALORIC INOX WATER PIPE
I.2282	PROTECTOR TUBO VAPOR BARISTA	BARISTA STEAM PIPE PROTECTOR
I.2317	SALIDA VAPOR BARISTA (4xD1.25)	STEAM OUTLET BARISTA (4xD1.25)
I.2987	SALIDA VAPOR BARISTA (4xD1.6)	STEAM OUTLET BARISTA (4xD1.6)
PM.124	GRIFO AGUA BAR ONE/PF/KAP	BAR WATER TAP WHOLE
PM.133	GRIFO VAPOR BAR	BAR STEAM TAP WHOLE



REF.	DESCRIPCIÓN	DESCRIPTION
ESC206	CALDERA AGUA-VAPOR BAR 120V	120V BAR WATER-STEAM
ESC306	CALDERA AGUA-VAPOR BAR 230V	230V BAR WATER-STEAM
I...32	TE INTERMEDIA NIQUEL QUIMICO	CENTRAL FITTING
I...90	RACOR CODO MACHO 1/8 LATON	FITTING
I...92	RACOR 1/8"	FITTING MALE
I..135	RACOR CODO 13280	1/8 ELBOW FITTING
I..276	TUERCA M8	M8 NUT
I..985	SONDA BAR COMPLETA 120mm	120mm LEVEL PROBE
I..990	VALVULA VACIO 1/4	1/4 EMPTY VALVE
I..991	VALVULA SEGURIDAD BAR	BAR SAFETY VALVE
I..994	TERMOSTATO SEGURIDAD	SAFETY THERMOSTAT
I.1036	TORNILLO FIJACION CALDERA	BOILER FIXED SCREW
I.1049	RACOR CODO 5020 1/4	BEND FITTING 5020 1/4
I.1050	RACOR CODO 13280 6 1/4	BEND FITTING 13280 6 1/4
I.1051	PROLONGACION 2070 1/4 1/4	EXTENSION 2070 1/4 1/4
I.1059	RACOR RECTO	FITTING STRAIGHT
I.1061	GRIFO BOLA 1/4m-1/4h BAR	BAR SOLENOID BALL M/H
I.1143	RECOGE AGUA CALDERA BAR	BAR TRAY WATER BOILER
I.1226	CALDERA BAR 154X230	154X230 BAR BOILER
I.1227	TORICA 37.69 X 3.53 SILICONA	SILICONE RING 37.69 X 3.53
I.1228	RESISTENCIA 1200w BAR 230V INOX	BAR INOX RESISTANCE 230V
I.1229	RESISTENCIA BAR 120V	BAR RESISTANCE 120V
I.1233	ARANDELA RESISTENCIA BAR M8	WASHER M8
I.1269	RACOR TERMOSTATO DE SEGURIDAD	BAR BOILER SAFETY THERMOSTAT
I.1617	PRESOSTATO REGULABLE (0.5/1.5	(0.5/1.5 BAR) ADJUSTABLE PRESS
I.1644	RACOR CODO TUBO 8 mm NIQUEL 1	NECKEL 8mm TUBE ELBOW FITTING
I.2399	JUNTA COBRE 1/4"	COPPER JOINT 1/4"
I.2609	RACORD CONEXION MANGUERA 8x1/4	HOSE RACOR CONNECTION 8x1/4
I.2642	TUBO COBRE 1/8 1/8	1/8 1/8 COOPER TUBE
I.2827	REDUCTOR CILINDRICO 1/4 1/8	CLINDRIC RECUDER 1/4 1/8

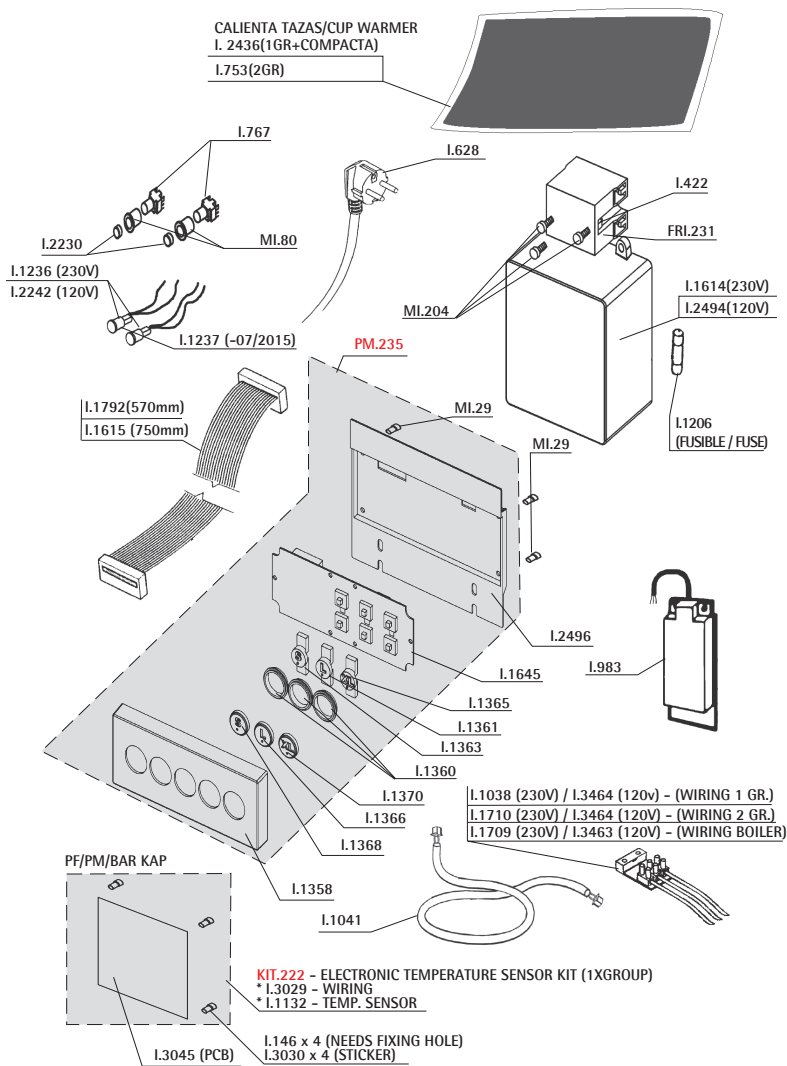


ESC.306 (230V)  
ESC.206 (120V)



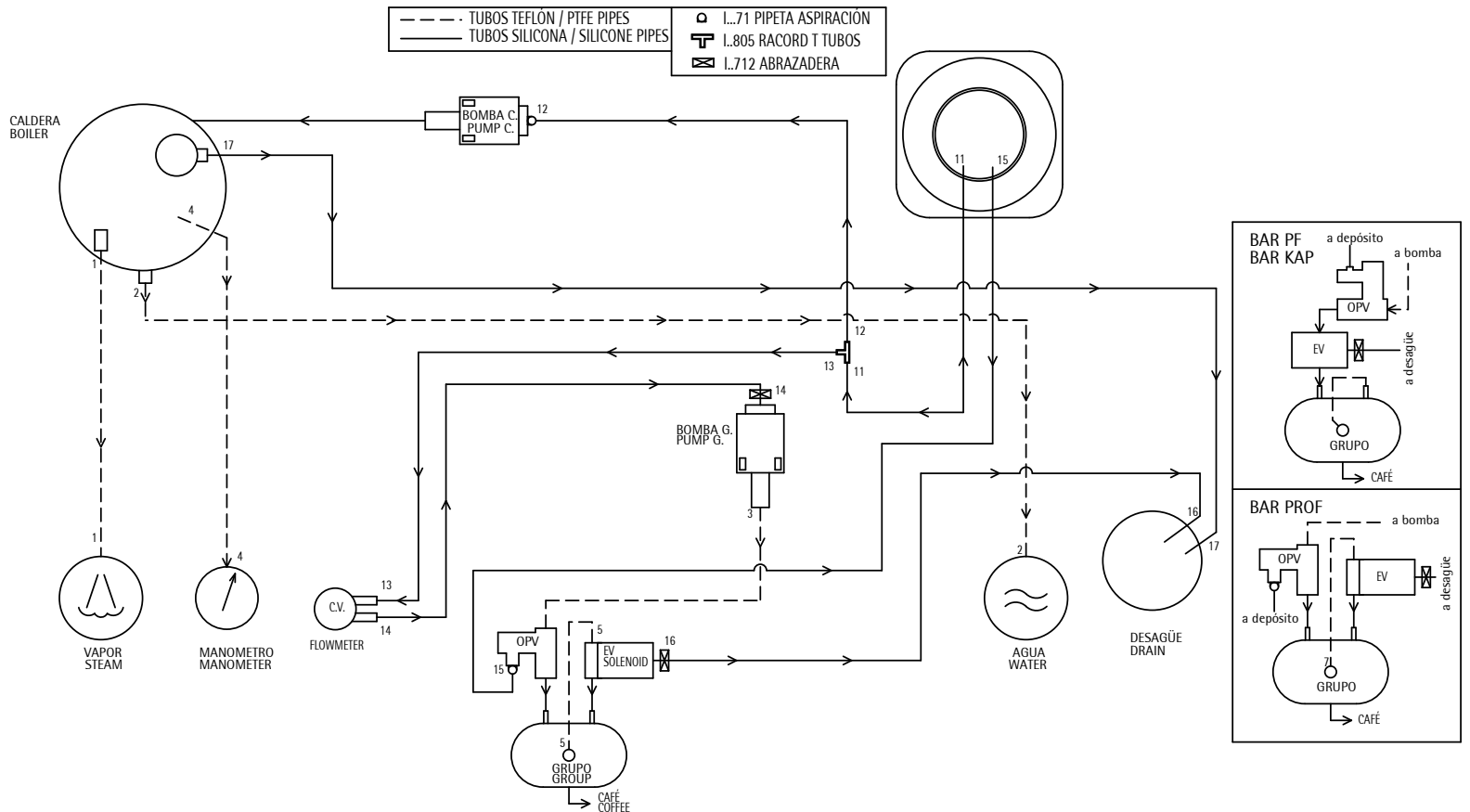
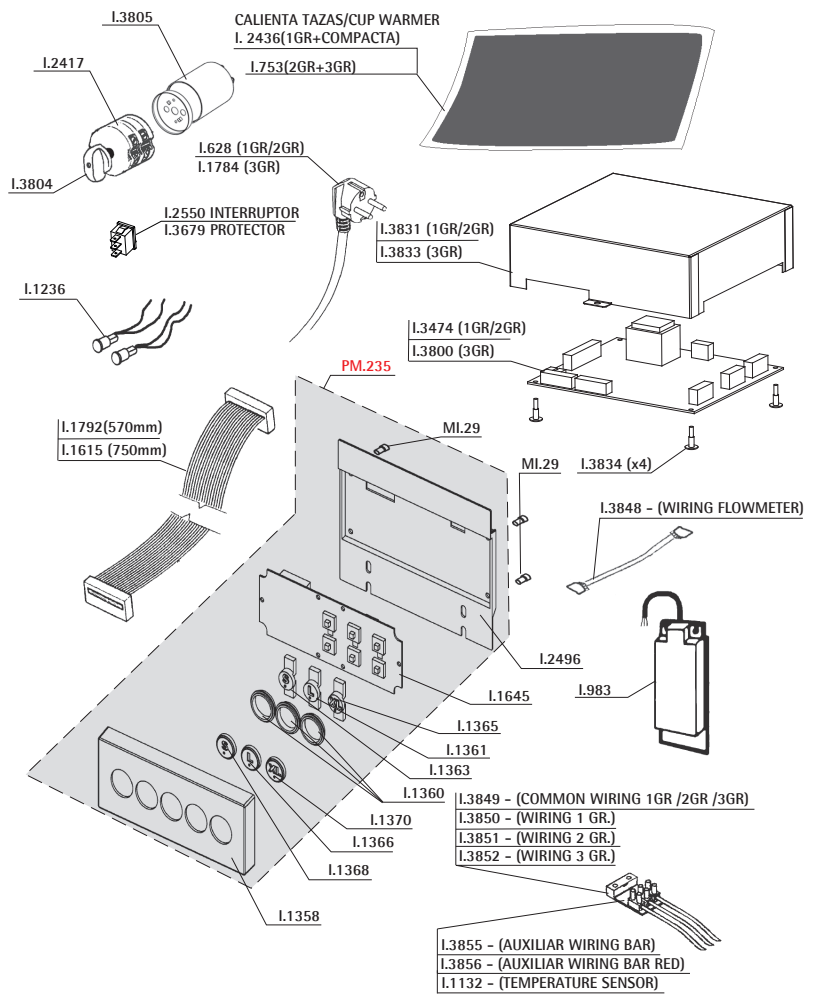
REF.	DESCRIPCIÓN	DESCRIPTION
I...39	RODILLO LEVA INOX	LEVER ROLLER
I...44	RACOR CODO	ELBOW FITTING
I...45	RACOR RECTO	STRAIGHT FITTING
I...71	PIPETA ASPIRACION	SUCTION FITTING
I...84	SOPORTE BOMBA 90°	90° PUMP SUPPORT
I...90	RACOR CODO MACHO 1/8 LATON	FITTING
I..269	BOMBA 230/240V 60Hz	220V/60Hz PUMP
I..292	BOMBA CP4SP PLUS 230/240V 50Hz	230V 50Hz PUMP
I..303	TORICA S-2	RING S-2
I..675	BOMBA 110/120V 60 Hz	110/120V 60Hz PUMP
I..781	CONTADOR VOLUMETRICO	FLOWMETER
I..987	VASCHETTA NIVEL AGUA	BAR WATER DRAIN
I..996	DEPOSITO 5L. BAR	5L BAR TANK
I..997	DEPOSITO 10L. BAR	10L BAR TANK
I.1042	RACORD ENTRADA DIA. 10	INLET FITTING D-10
I.1043	TUBO DIA. 16 (Mts) NEGRO ALIMENT.	D-16 PIPE
I.1044	TUBO SILICONA 10x13x35	SILICONE PIPE 10x13x35
I.1045	RACOR SALIDA	OUTLET FITTING
I.1046	RACOR ASPIRACION	SUCTION FITTING
I.1068	TUBO DESAGUE	DRAIN PIPE
I.1069	FLEXO CONEXION A RED	WATER NET FLEXO PIPE
I.1070	ABRAZADERA DIAM. 10 a 16mm	CLAMP DIAM 12
I.1075	TUBO SILICONA 5X8 (350mm)	SILICONE PIPE 5X8 (340mm)
I.1080	TUBO SILICONA 5X8 (500mm)	SILICONE PIPE 5X8 (500mm)
I.1087	TUBO SILICONA 5X8 (300mm)	SILICONE PIPE 5X8 (300mm)
I.1090	TUBO SILICONA 5X8 (440mm)	SILICONE PIPE 5x8 (440mm)
I.1622	MANOMETRO CALDERA 2.5 BAR	BOILER MANOMETER 2.5 BAR
I.1987	TUERCA SUJECION CAZOLETA M10 INOX	INOX M10 DRAIN TANK WASHER
I.2108	TUBO SILICONA 5X8 (220mm)	SILICONE PIPE 5x8 (220mm)
I.2109	TUBO SILICONA 5X8 (120mm)	SILICONE PIPE 5X8 (120mm)
I.2280	JUNTA TORICA 68x2 SILICONA	O-RING 68x2 SILICONA
I.2313	ELECTROV. ENTRADA AGUA BAR 120V	SOLENOID WATER ENT. BAR 120V
I.2491	BOMBA ARS ALTO CAUDAL CP6 230V	HIGH FLOW ARS PUMP
I.2560	CONTADOR VOLUMETRICO FHKSC	FHKSC FLOWMETER
I.2610	RACOR CONEXION MANGUERA 8x1/8	HOSEPIPE RACORD CONECTION
I.2826	TUBO FLEXIBLE 250mm 1/8"Hx1/8"H	FLEXO (FF 1/8 250mm)
I.3002	RACOR BOMBA	PUMP FITTING
I.3074	ELECTROV. ENTRADA AGUA BAR 230V	SOLENOID WATER ENT. BAR 230V
I.3644	JUNTA TORICA 40x1.5 NBR	O-RING 40X1.5 NBR
I.3803	SUPLEMENTO CAZOLETA DESAGÜE	SUPPLEMENT DRAIN
I.3875	JUNTA GOMA 3/4	RUBBER GASKET 3/4
I.3876	FLEXO CODO H 3/4 - H 3/8 x 150	METALLIC FLEXO F3/4 - F3/8 x 150
I.3878	EMBUDO DESAGÜE BAR	BAR DRAIN TUBE
MI..57	TORNILLO M4X12	M4X12 SCREW
PM..68	CONJUNTO BOMBA GRUPO BAR 230V	220V BAR GROUP PUMP WHOLE
PM..69	CONJUNTO BOMBA GRUPO BAR 120V	110V BAR GROUP PUMP WHOLE
PM..70	CONJUNTO REGULADOR BAR	BAR REGULATOR WHOLE
PM.134	CJTO BOMBA GRUPO BAR 2 GR. 230V	GROUP PUMP BAR 2 GR. 230V
PM.184	CONJUNTO BOMBA CALDERA 230V	BOILER PUMP ONE/KAP/PF 230V
PM.185	CONJUNTO BOMBA CALDERA 120V	BOILER PUMP ONE/KAP/PF 120V
PM.215	CJTO BOMBA GRUPO BAR 2 GR. 120V	GROUP PUMP BAR 2 GR. 120V
PM.290	CJTO DESAGÜE BAR / BAR KAP	DRAIN ASSEMBLY BAR / BAR KAP

Componentes eléctricos BAR (-05/2016) y modelos ECO ■ BAR electric components (-05/2016) and ECO models



REF.	DESCRIPCIÓN	DESCRIPTION
FRI231	RELE ESTATICO	RELAY
I..146	SOPORTE PLACA ELECTRONICA	CONTROL BOARD SUPPORT
I..422	TUERCA CON ARANDELA M4 INOX	M4 INOX WASHER WITH NUT
I..628	CABLE RED STEEL 1.5 HOMOLOGADO	STEEL WIRING
I..753	RESIST. CALIENTA TAZAS BAR 2GR	RESIST. CUPWARMER BAR 2GR
I..767	INTERRUPTOR BIPOLAR TRONIC	SWITCH
I..983	DETECTOR NIVEL BAR PARA XLC	WATER LEVEL XLC DETECTOR
I.1038	CABLEADO BAR 1 GR / BAR KAP 1GR	WIRING BAR 1GR / BAR KAP 1GR
I.1041	CABLE CONTADOR VOLUMETRICO BAR	BAR VOL. COUNTER WIRING
I.1132	SONDA TEMPERATURA PTP-51F	TEMPERATURE PROBE PTP-51F
I.1206	FUSIBLE CENTRALITA	ELECTRONIC BOX FUSE
I.1236	PILOTO AZUL 230V.	PILOT BLUE 230V.
I.1237	MIRILLA PILOTO STEEL/STEELBAR	SUPPORT PILOT STEEL/STEELBAR
I.1358	CAJA BOTONERA	DOSING DEVICE BOX
I.1360	EMBELLECEDOR BOTONERA	DOSING DEVICE PROTECTOR
I.1361	INTERRUPTOR L	SWITCH L
I.1363	INTERRUPTOR S	SWITCH S2
I.1365	INTERRUPTOR XL	SWITCH XL
I.1366	TECLA L	L BUTTON
I.1368	TECLA S	S BUTTON
I.1370	TECLA XL	XL BUTTON
I.1614	CENTRALITA GICAR BARISTA 230V	230V BARISTA GICAR CONTROL
I.1615	CABLE BOTONERA GRUPO DERECHO 7	750mm RIGHT GROUP D. DEVICE
I.1645	PLACA ELECTRONICA BOTONERA	DOSING DEVICE CONTROL BOARD
I.1709	CABLEADO CALDERA BARISTA PF/ON	BARISTA PF/ONE/KAP BOILER WIRING
I.1710	CABLEADO GRUPOS BARISTA PF/ONE	BARISTA PF/ONE/KAP GROUPS WIRING
I.1792	CABLE BOTONERA GRUPO IZQUIERDO	570mm LEFT GROUP D. DEVICE
I.2230	TECLA ON/OFF	ON/OFF BUTTON
I.2242	PILOTO AZUL 120V.	PILOT BLUE 120V.
I.2436	RESIST. CALIENTA TAZAS BAR 1GR	RESIST. CUPWARMER BARISTA 1GR
I.2494	CENTRALITA BAR 120V	ELECTRONIC BOX BAR 120V
I.2496	TAPA CAJA BOTONERA	DOSING DEVICE BOX LID
I.3029	CABLES CONEXION TERMOSTATO	ELECTRONIC THERMOSTAT WIRE
I.3030	FIJACION CIRCUITO TERMOSTATO	ELECTRONIC THERMOSTAT CIRCUIT
I.3045	CIRCUITO TERMOSTATO ELECTRONICO	ELECTRONIC THERMOSTAT CIRCUIT
I.3463	CABLEADO CALDERA BAR 110V	BOILER WIRING BAR 110V
I.3464	CABLEADO GRUPO BAR 110V	GROUP WIRING BAR 110V
KIT222	KIT TERMOSTATO ELECTRONICO	KIT ELECTRONIC THERMOSTAT
MI..29	TORNILLO	RUBBER RING
MI..80	SOPORTE PULSADOR	SWITCH SUPPORT
MI.204	TORNILLO M4x10 INOX	M4x10 INOX SCREW
PM.235	BOTONERA BAR / BAR KAP	BAR / BAR KAP DOSING DEVICE

REF.	DESCRIPCIÓN	DESCRIPTION
I..628	CABLE RED STEEL 1.5 HOMOLOGADO	STEEL WIRING
I..753	RESIST. CALIENTA TAZAS BAR 2GR	RESIST. CUPWARMER BAR 2GR
I.1132	SONDA TEMPERATURA NTC MF58	TEMPERATURE PROBE PTP-51F
I.1236	PILOTO AZUL 230V.	PILOT BLUE 230V.
I.1358	CAJA BOTONERA	DOSING DEVICE BOX
I.1360	EMBELLECEDOR BOTONERA	DOSING DEVICE PROTECTOR
I.1361	INTERRUPTOR L	SWITCH L
I.1363	INTERRUPTOR S	SWITCH S2
I.1365	INTERRUPTOR XL	SWITCH XL
I.1366	TECLA L	L BUTTON
I.1368	TECLA S	S BUTTON
I.1370	TECLA XL	XL BUTTON
I.1615	CABLE BOTONERA GRUPO DERECHO 7	750mm RIGHT GROUP D. DEVICE
I.1784	CABLE RED 3 CONDUCTORES + TIERRA	230V BARISTA WIRING
I.1792	CABLE BOTONERA GRUPO IZQUIERDO	570mm LEFT GROUP D. DEVICE
I.2417	INTERRUPTOR BAR 3 POSICIONES	THREE POSITIONS BAR SWITCH
I.2436	RESIST. CALIENTA TAZAS BAR 1GR	RESIST. CUPWARMER BARISTA 1GR
I.2496	TAPA CAJA BOTONERA	DOSING DEVICE BOX LID
I.2550	INTERRUPTOR LEDS	LEDS SWITCH
I.3474	CENTRALITA GAMA BAR 2016 1-2 GRUPOS	ELECTRONIC BOX BAR 2016 1-2 GR
I.3679	PROTECTOR PVC INTERRUPTOR	PVC SWITCH PROTECTOR
I.3800	CENTRALITA GAMA BAR 2016 3 GRUPOS	ELECTRONIC BOX BAR 2016 3 GR
I.3804	MARCO + MANDO INTERRUPTOR BAR	BAR SWITCH FRAME + CONTROL
I.3805	PROTEC. INTERRUPTOR ROTATIVO BAR	BAR ROTATING SWITCH PROTEC.
I.3831	TAPA CENTRALITA BAR 1GR/2GR 2016	CIRCUIT COVER BAR 1GR/2GR 2016
I.3833	TAPA CENTRALITA BAR 3GR 2016	CIRCUIT COVER BAR 3GR 2016
I.3834	SOPORTE CIRCUITO ELECTRONICO BAR	ELECTRONIC CIRCUIT COVER BAR
I.3848	CABLE CONTADOR VOL. BAR 2016	FLOWMETER WIRING BAR 2016
I.3849	CJTO CABLEADO BAR 1/2/3 GR. 2016	WIRING BAR 1/2/3 GR. 2016
I.3850	CJTO CABLEADO BAR 1 GR. 2016	WIRING BAR 1 GR. 2016
I.3851	CJTO CABLEADO BAR 2 GR. 2016	WIRING BAR 2 GR. 2016
I.3852	CJTO CABLEADO BAR 3 GR. 2016	WIRING BAR 3 GR. 2016
I.3855	CONECTOR AUXILIAR BAR 2016	CONNECTOR AUXILIAR BAR 2016
I.3856	CONECTOR AUXILIAR BAR RED 2016	CONNECTOR AUX. BAR RED 2016
MI..29	TORNILLO	RUBBER RING
PM.235	BOTONERA BAR 2016	BAR DOSING DEVICE 2016

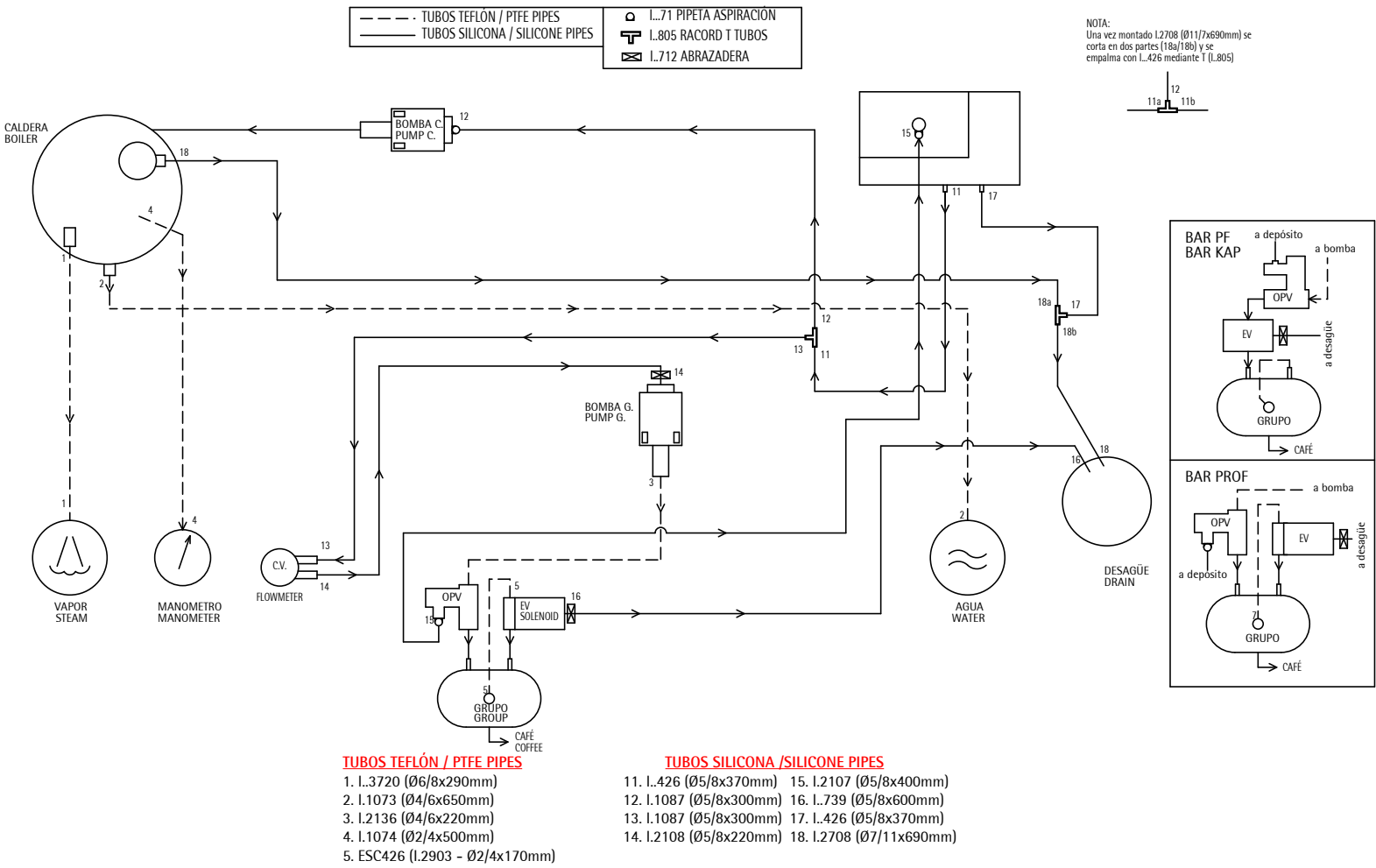


TUBOS TEFLÓN / PTFE PIPES

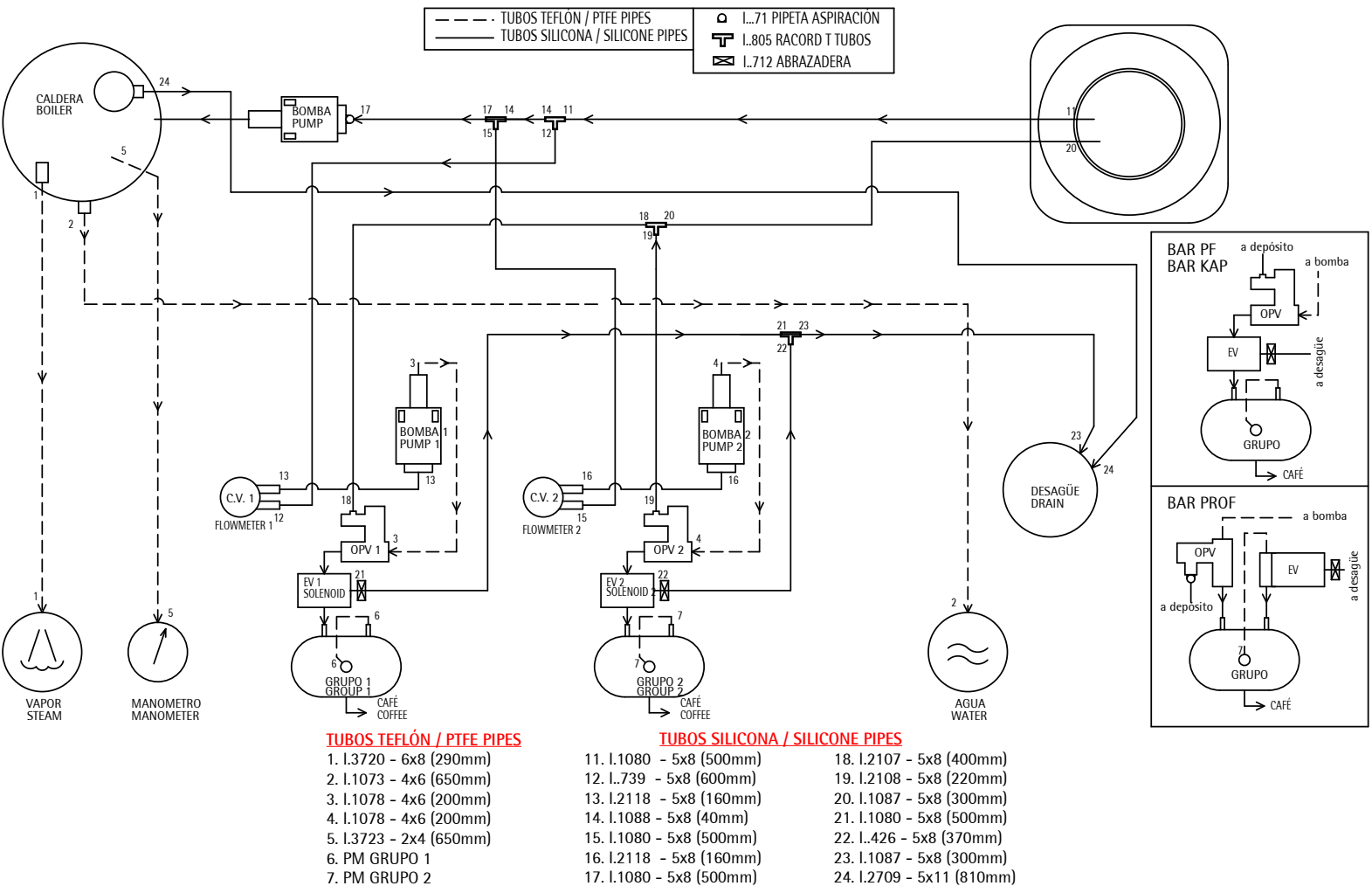
- 1. I..3720 (Ø6/8x290mm)
- 2. I.1073 (Ø4/6x650mm)
- 3. I.2136 (Ø4/6x220mm)
- 4. I.1074 (Ø2/4x500mm)
- 5. ESC426 (I.2903 - Ø2/4x170mm)

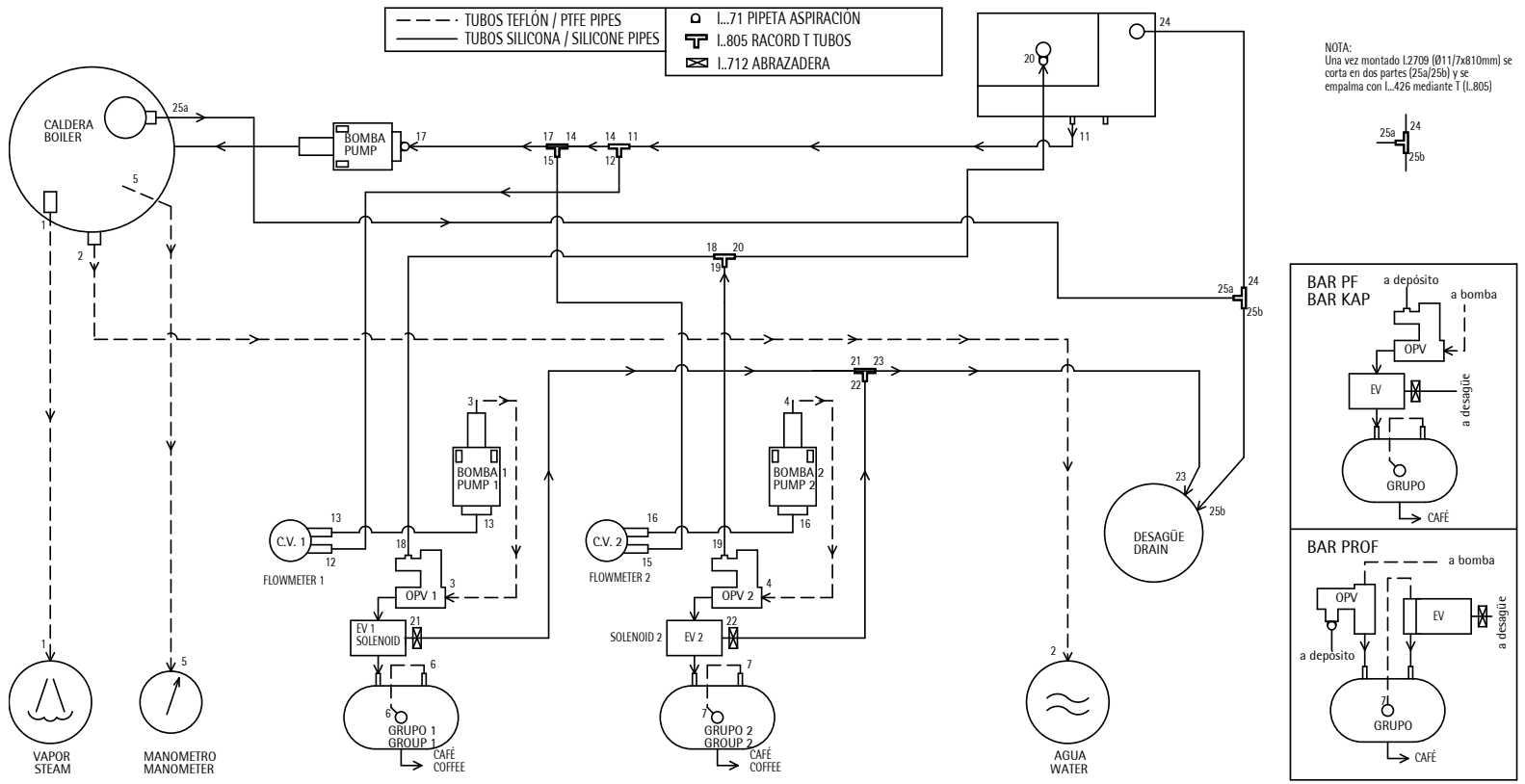
TUBOS SILICONA / SILICONE PIPES

- 11. I.1090 (Ø5/8x440mm)
- 12. I.426 (Ø5/8x370mm)
- 13. I.1090 (Ø5/8x440mm)
- 14. I.2108 (Ø5/8x220mm)
- 15. I.739 (Ø5/8x600mm)
- 16. I.739 (Ø5/8x600mm)
- 17. I.2708 (Ø7/11x690mm)



Tubos 2 grupos depósito (+06/2016) ■ Pipes 2 groups tank (+06/2016)





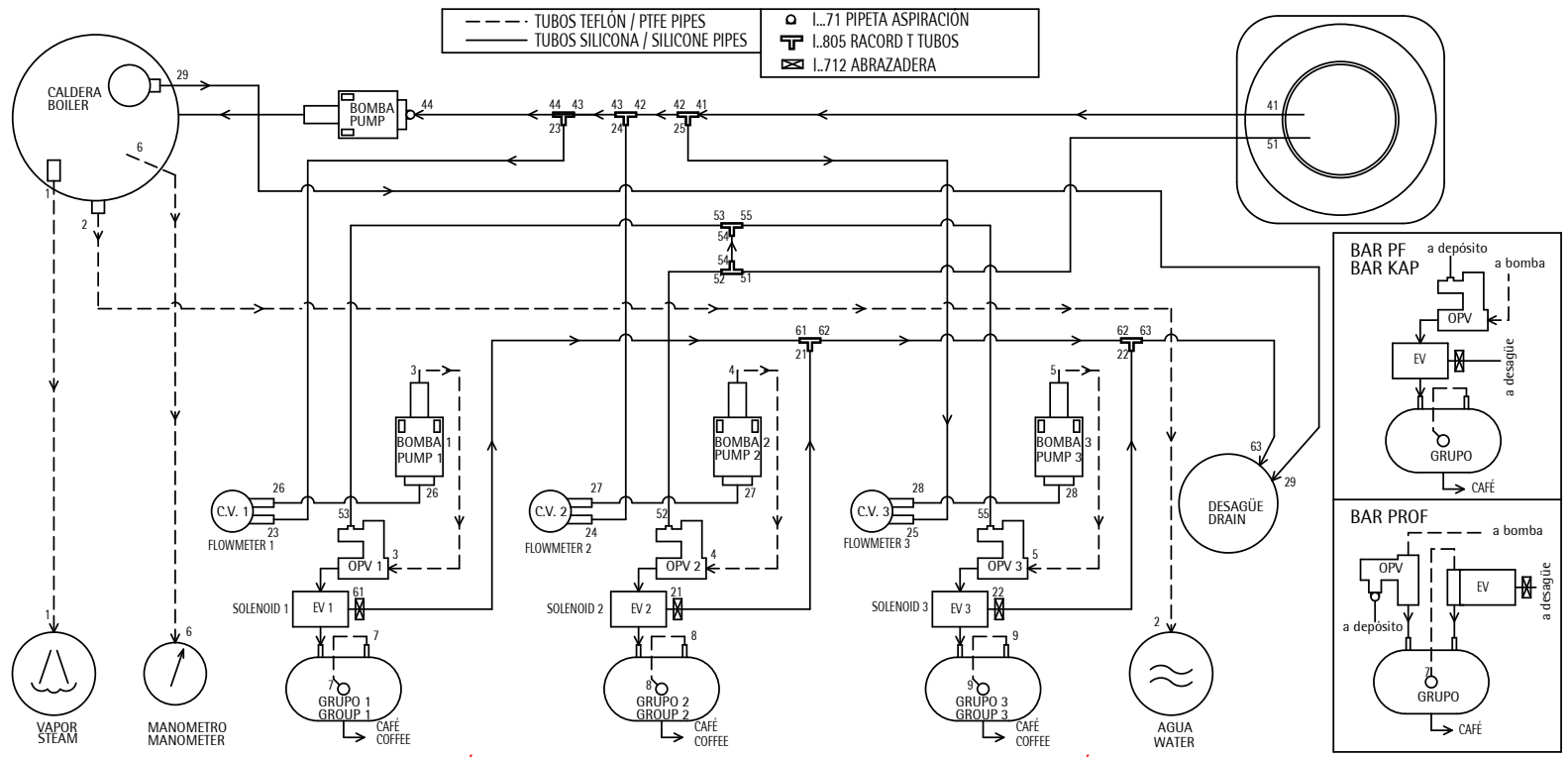
NOTA:  
Una vez montado L.2709 (Ø11/7x810mm) se corta en dos partes (25a/25b) y se empalma con L.426 mediante T (L.805)

**TUBOS TEFLÓN / PTFE PIPES**

- 1. L.3720 - 6x8 (290mm)
- 2. L.1073 - 4x6 (650mm)
- 3. L.1078 - 4x6 (200mm)
- 4. L.1078 - 4x6 (200mm)
- 5. L.3723 - 2x4 (650mm)
- 6. PM GRUPO 1
- 7. PM GRUPO 2

**TUBOS SILICONA / SILICONE PIPES**

- 11. L.1087 - 5x8 (300mm)
- 12. L.2107 - 5x8 (400mm)
- 13. L.2118 - 5x8 (160mm)
- 14. L.1088 - 5x8 (40mm)
- 15. L.2107 - 5x8 (400mm)
- 16. L.2118 - 5x8 (160mm)
- 17. L.426 - 5x8 (370mm)
- 18. L.2107 - 5x8 (400mm)
- 19. L.2108 - 5x8 (220mm)
- 20. L.1087 - 5x8 (300mm)
- 21. L.1080 - 5x8 (500mm)
- 22. L.426 - 5x8 (370mm)
- 23. L.1087 - 5x8 (300mm)
- 24. L.426 - 5x8 (370mm)
- 25. L.2709 - 5x11 (810mm)



**TUBOS TEFLÓN / PTFE PIPES**

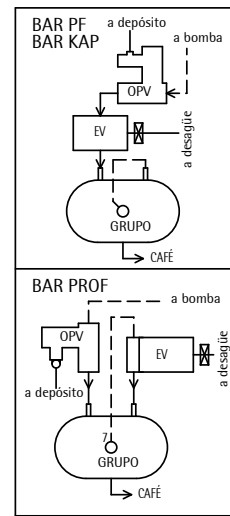
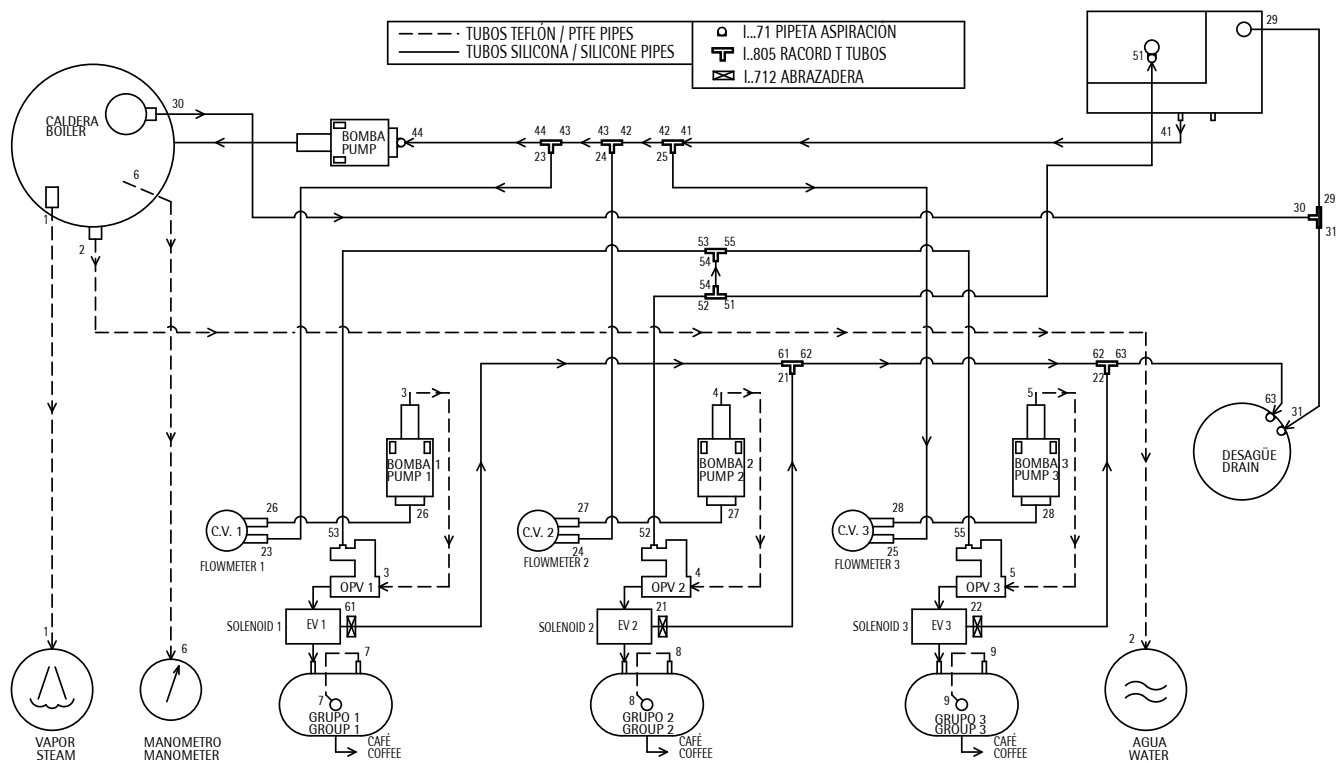
- 1. L.3720 - 6x8 (290mm)
- 2. L.1654 - 4x6 (800mm)
- 3. L.1078 - 4x6 (200mm)
- 4. L.1078 - 4x6 (200mm)
- 5. L.1078 - 4x6 (200mm)
- 6. L.3723 - 2x4 (650mm)
- 7. PM GRUPO 1
- 8. PM GRUPO 2
- 9. PM GRUPO 3

**TUBOS SILICONA / SILICONE PIPES**

- 21. L.426 - 5x8 (370mm)
- 22. L.426 - 5x8 (370mm)
- 23. L.739 - 5x8 (600mm)
- 24. L.1080 - 5x8 (500mm)
- 25. L.1090 - 5x8 (440mm)
- 26. L.2108 - 5x8 (220mm)
- 27. L.2108 - 5x8 (220mm)
- 28. L.2108 - 5x8 (220mm)
- 29. L.2709 - 7x11 (810mm)

**TUBOS INCLUIDOS EN PM**

- 41. PM.276 (L.1080) - 5x8 (500mm)
- 42. PM.276 (L.1088) - 5x8 (40mm)
- 43. PM.276 (L.1088) - 5x8 (40mm)
- 44. PM.276 (L.1080) - 5x8 (500mm)
- 51. (L.1090) - 5x8 (440mm)
- 52. BAR PROF (PM.277) (L.1087) - 5x8 (300mm)
- 53. BAR PROF (PM.277) (L.2107) - 5x8 (400mm)
- 54. BAR PF BAR KAP (PM.292) (L.1088) - 5x8 (40mm)
- 55. BAR PF BAR KAP (PM.292) (L.1088) - 5x8 (40mm)
- 61. PM.272 (L.1080) - 5x8 (500mm)
- 62. PM.272 (L.2108) - 5x8 (220mm)
- 63. PM.272 (L.2108) - 5x8 (220mm)



**TUBOS TEFLÓN / PTFE PIPES**

1. I.3720 - 6x8 (290mm)
2. I.1654 - 4x6 (800mm)
3. I.1078 - 4x6 (200mm)
4. I.1078 - 4x6 (200mm)
5. I.1078 - 4x6 (200mm)
6. I.3723 - 2x4 (650mm)
7. PM GRUPO 1
8. PM GRUPO 2
9. PM GRUPO 3

**TUBOS SILICONA / SILICONE PIPES**

21. I..426 - 5x8 (370mm)
22. I..426 - 5x8 (370mm)
23. I.1080 - 5x8 (500mm)
24. I.2107 - 5x8 (400mm)
25. I.1087 - 5x8 (300mm)
26. I.2108 - 5x8 (220mm)
27. I.2108 - 5x8 (220mm)
28. I.2108 - 5x8 (220mm)
29. I..426 - 5x8 (370mm)
30. I.2708 - 7x11 (690mm)
31. I.3725 - 7x11 (250mm)

**TUBOS INCLUIDOS EN PM**

41. PM.286 (I.1087) - 5x8 (300mm)
42. PM.286 (I.1088) - 5x8 (40mm)
43. PM.286 (I.1088) - 5x8 (40mm)
44. PM.286 (I.2107) - 5x8 (400mm)
51. BAR PROF (PM.272) (I.1090) - 5x8 (440mm)
52. BAR PF BAR KAP (PM.232) (I.1087) - 5x8 (300mm)
53. BAR PROF (PM.232) (I.2107) - 5x8 (400mm)
54. BAR PROF (I.1088) - 5x8 (40mm)
55. BAR PF BAR KAP (I.1088) - 5x8 (40mm)
61. PM.272 (I.1080) - 5x8 (500mm)
62. PM.272 (I.2108) - 5x8 (220mm)
63. PM.272 (I.2108) - 5x8 (220mm)