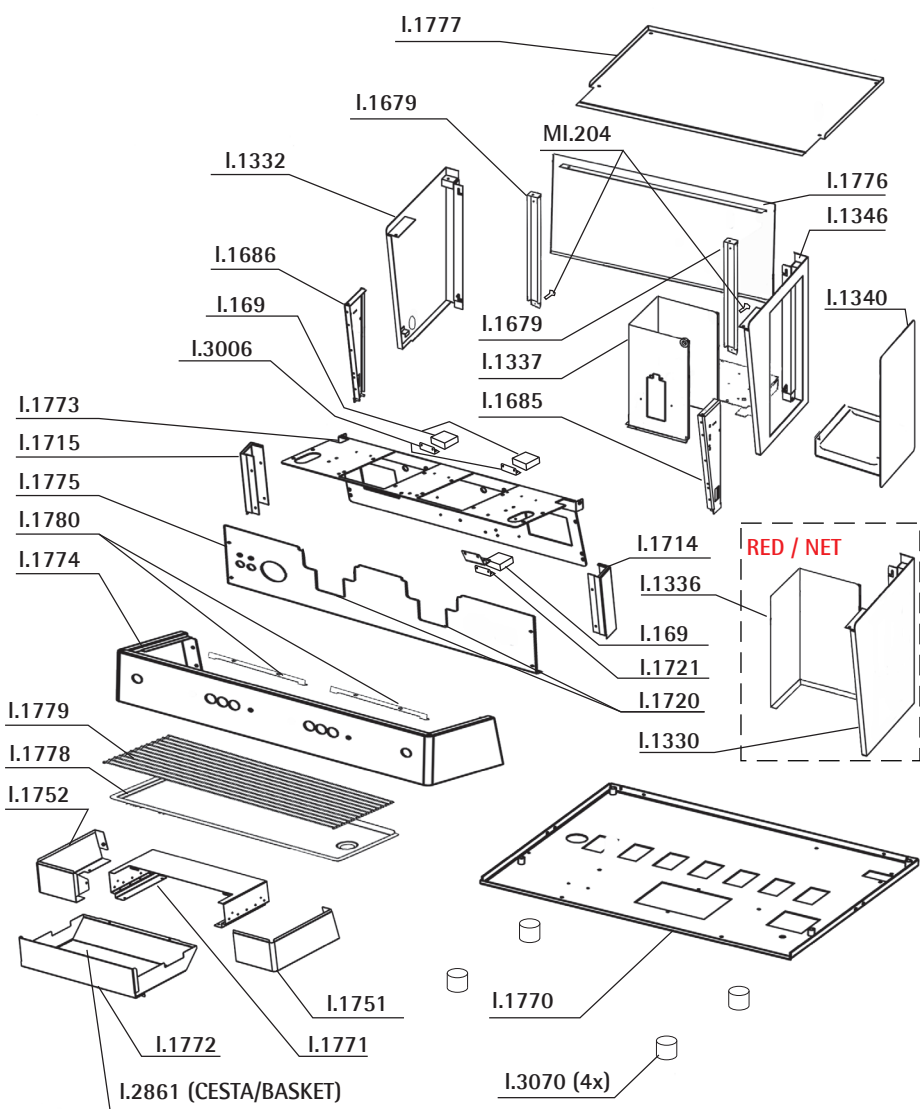
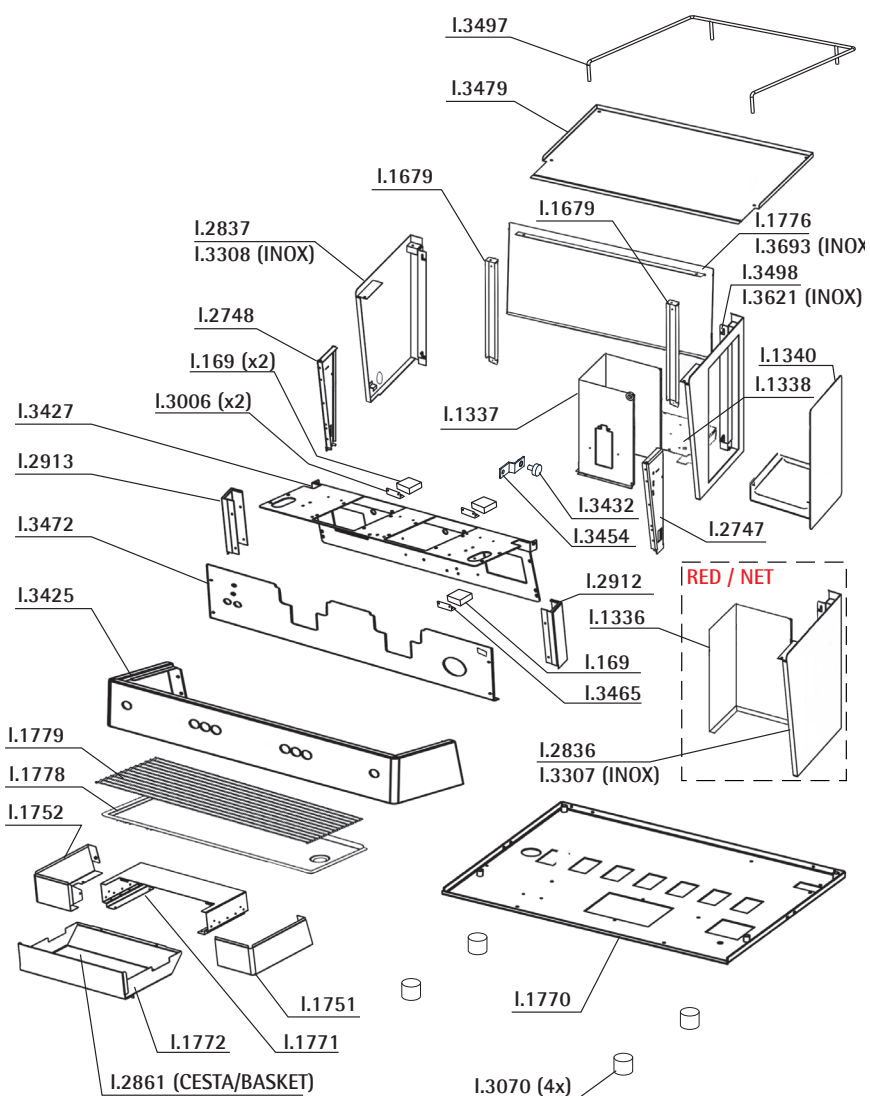




Bar Kap

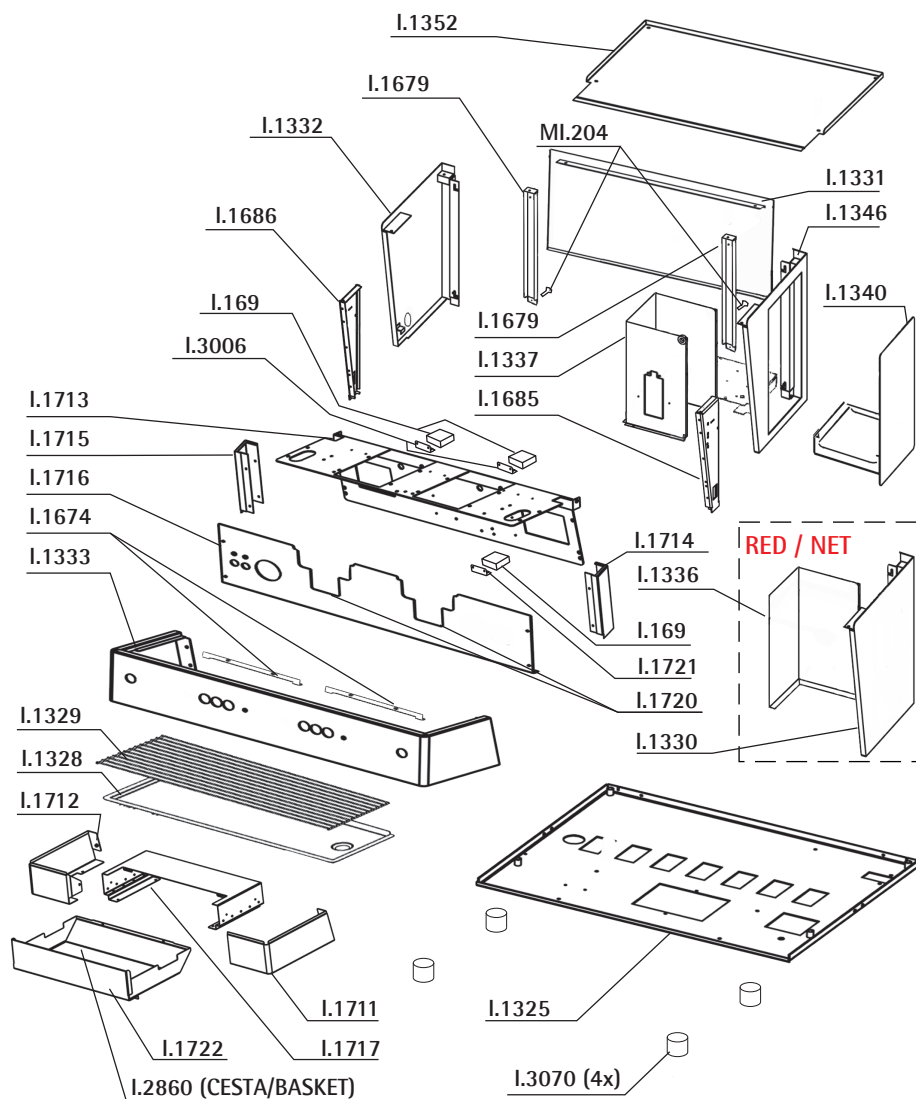


REF.	DESCRIPCIÓN	DESCRIPTION
I.169	MICROINTERRUPTOR PALANCA	LEVER MICROSWITCH
I.1330	TAPA LATERAL DERECHA BARISTA	BARISTA RIGHT LATERAL LID
I.1332	TAPA LATERAL IZQUIERDA BARISTA	BARISTA LEFT LATERAL LID
I.1336	SOPORTE CENTRALITA BAR	BAR CONTROL BOARD SUPPORT
I.1337	COMPARTIMENTO DEPOSITO BAR 2 GR	2GR BAR TANK COMPARTMENT
I.1340	CAJON DEPOSITO BAR 2 GR ONE/P	ONE/PF/KAP 2GR BAR TANK DRAWER
I.1346	TAPA LATERAL DERECHA DEPOSITO	ONE/PF/KAP BAR TANK RIGHT LATE
I.1679	COLUMNA BASE	BASE COLUMN
I.1685	MONTANTE DERECHO	RIGHT STUD
I.1686	MONTANTE IZQUIERDO	LEFT STUD
I.1715	EMBELLECEDOR LATERAL IZQUIERDO	BAR KAP LEFT LATERAL COVER
I.1721	CHAPA MICRO BAR KAP	BAR KAP MICRO PLATE
I.1751	FRONTAL INFERIOR DER. BAR KAP	1GR BAR KAP RIGHT LOWER FRONT
I.1752	FRONTAL INFERIOR IZQ. BAR KAP	1GR BAR KAP LEFT LOWER FRONT
I.1770	BASE BAR 2 GRUPOS COMPACTA	BASE
I.1771	GUIA CAJON BAR 2 GR. COMPACTA	GUIDE
I.1772	BANDEJA BAR KAP 2 GR. COMPACTA	TRAY
I.1773	BASE MECANISMO BAR KAP 2 GR.	BASE
I.1774	CARATULA BAR 2 GR COMPACTA	2GR BAR MEMBRANE
I.1775	FRONTAL INTERMEDIO BAR KAP 2 GR	FRONT
I.1776	TAPA TRASERA BAR 2 GR. COMPACTA	LID
I.1777	TAPA SUPERIOR BAR 2 GR. COMPACTA	UPPER LID
I.1778	BANDEJA BAR 2 GRUPOS COMPACTA	TRAY
I.1779	REJILLA BAR 2 GRUPOS COMPACTA	COMPACT TRAY
I.1780	SOPORTE BOTONERA BAR 2 GRUPOS	SUPPORT
I.2861	CESTA CAJON CAPSULAS BAR KAP	DRAWER BAR KAP COMACTA
I.3006	SOPORTE MICRO CAJON KAP	MICRO SUPPORT
I.3070	PIE INOX D60	INOX FOOT D60
MI.204	TORNILLO M4x10 INOX	M4x10 INOX SCREW

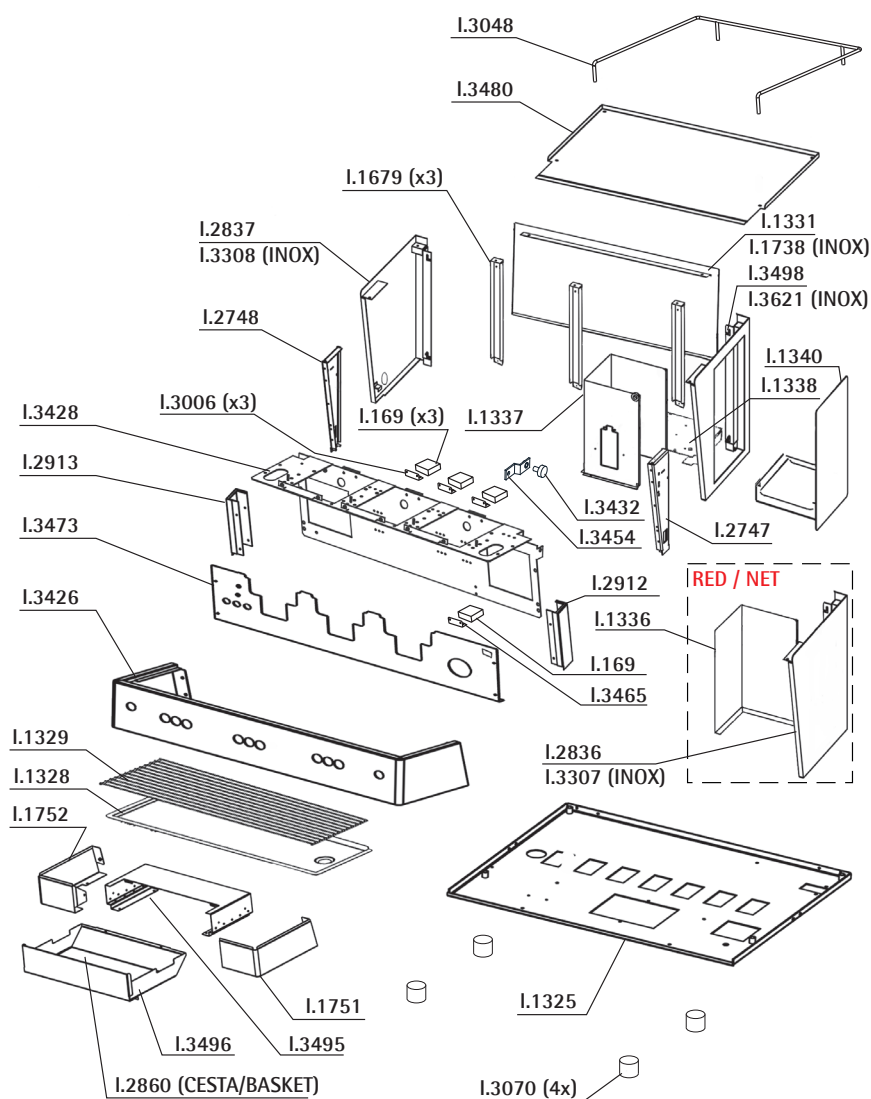


REF.	DESCRIPCIÓN	DESCRIPTION
I.169	MICROINTERRUPTOR PALANCA	LEVER MICROSWITCH
I.1336	SOPORTE CENTRALITA BAR	BAR CONTROL BOARD SUPPORT
I.1337	COMPARTIMENTO DEPOSITO BAR 2 GR	2GR BAR TANK COMPARTMENT
I.1338	BASE CAJON BAR 2 GR	BAR DRAWER BASE
I.1340	CAJON DEPOSITO BAR 2 GR	2GR BAR TANK DRAWER
I.1679	COLUMNA BASE	BASE COLUMN
I.1751	FRONTAL INFERIOR DER. BAR KAP	1GR BAR KAP RIGHT LOWER FRONT
I.1752	FRONTAL INFERIOR IZQ. BAR KAP	1GR BAR KAP LEFT LOWER FRONT
I.1770	BASE BAR 2 GRUPOS COMPACTA	BASE - BAR 2GR COMPACT
I.1771	GUIA CAJON BAR 2 GR. COMPACTA	GUIDE
I.1772	CAJON CAPSULA BAR KAP 2GR COMP.	BAR KAP 2GR COMPACT TRAY
I.1776	TAPA TRASERA BAR 2 GR. COMPACTA	BACK LID BAR 2GR COMPACT
I.1778	BANDEJA BAR 2 GRUPOS COMPACTA	BAR 2 GROUPS COMPACT TRAY
I.1779	REJILLA BAR 2 GRUPOS COMPACTA	COMPACT TRAY
I.2747	MONTANTE DERECHO BARISTA	RIGHT SUPPORT BARISTA
I.2748	MONTANTE IZQUIERDO BARISTA	LEFT SUPPORT BARISTA
I.2836	TAPA LATERAL DERECHA BARISTA	RIGHT SIDE LID BARISTA
I.2837	TAPA LATERAL IZQUIERDA BARISTA	LEFT SIDE LID BARISTA
I.2861	CESTA CAJON CAPSULAS BAR KAP	DRAWER BAR KAP COMPACTA
I.2912	EMBELLECEDOR DERECHO BAR KAP	RIGHT TRIM BAR KAP 2016
I.2913	EMBELLECEDOR IZQUIERDO BAR KAP	LEFT TRIM BAR KAP 2016
I.3006	SOPORTE MICRO CAJON KAP	MICRO SUPPORT
I.3307	TAPA LATERAL DERECHA BARISTA INOX	RIGHT SIDE LID BARISTA INOX
I.3308	TAPA LATERAL IZQ. BARISTA INOX 2015	LEFT SIDE LID BARISTA INOX 2015
I.3070	PIE INOX D60	INOX FOOT D60
I.3425	CARATULA BOTONERA BAR 2GR 2016	FRONTAL BAR 2GR 2016
I.3427	BASE MECANISMOS BAR KAP 2GR 2016	MECHANISM BASE BAR KAP 2GR
I.3432	IMAN CAJON DEPOSITO	TANK DRAWER MAGNET
I.3454	SOPORTE IMAN CAJON DEPOSITO	TANK DRAWER MAGNET BRACKET
I.3465	SOPORTE MICRO BAR KAP	SUPPORT MICRO BAR KAP
I.3472	FRONTAL INTERMEDIO BAR KAP 2GR	INTERM. FRONT BAR KAP 2GR
I.3479	TAPA SUPERIOR BAR 2 GRUPOS 2016	UPPER LID BAR 2 GROUPS 2016
I.3497	BARANDILLA BAR 2GR 2016	RAILING BAR 2GR 2016
I.3498	TAPA LAT. DER. BAR DEPOSITO 2GR/3GR	RIGHT SIDE LID TANK BAR 2GR/3GR
I.3621	TAPA LAT. DER. BAR DEPOSITO INOX	RIGHT SIDE LID TANK BAR INOX
I.3693	TAPA TRAS. BAR 2GR COMPACTA INOX	REAR LID BAR 2GR COMP. INOX

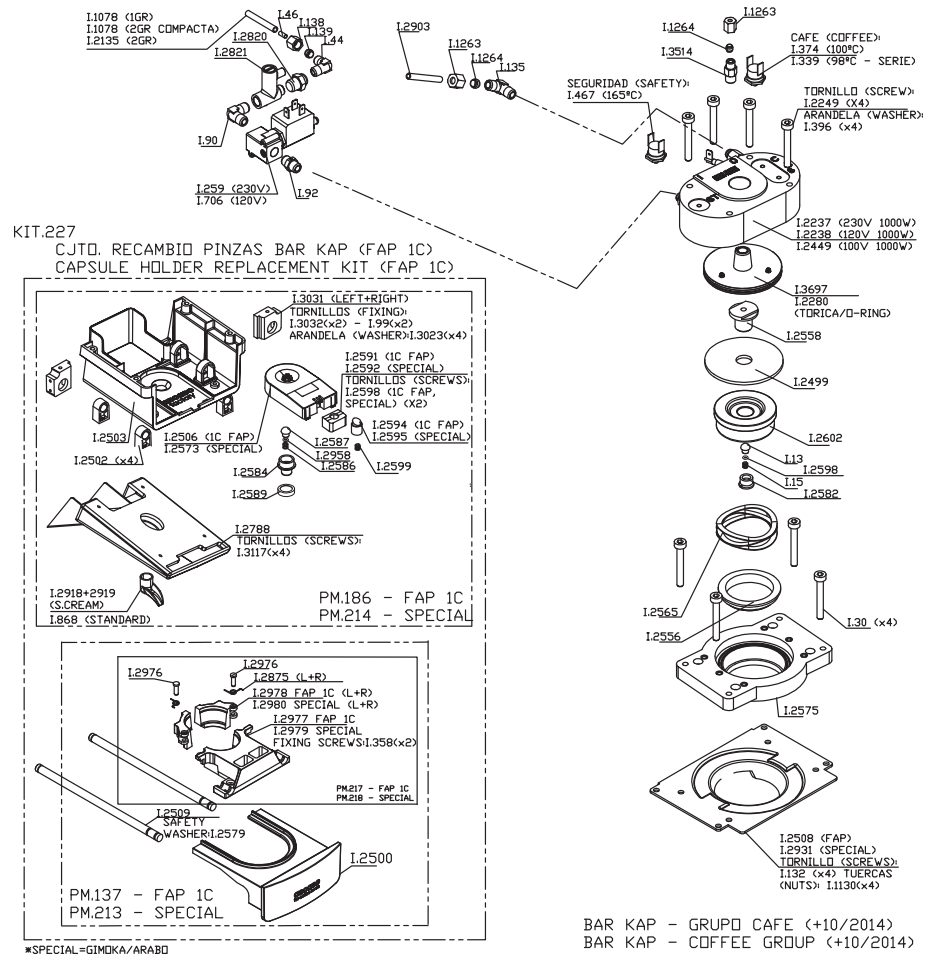
REF.	DESCRIPCIÓN	DESCRIPTION
I.169	MICROINTERRUPTOR PALANCA	LEVER MICROSWITCH
I.1325	BASE BAR	BAR BASE
I.1328	BANDEJA DESAGÜE 2GR INOX	2GR INOX DRAIN TRAY
I.1329	REJILLA BANDEJA 2GR INOX	2GR INOX DRAIN GRID
I.1330	TAPA LATERAL DERECHA BARISTA	BARISTA RIGHT LATERAL LID
I.1331	TAPA TRASERA 2GR BARISTA	BARISTA 2GR REAR LID
I.1332	TAPA LATERAL IZQUIERDA BARISTA	BARISTA LEFT LATERAL LID
I.1333	CARATULA BAR 2 GRUPOS ONE/PF/K	ONE/PF/KAP 2GR BAR MEMBRANE
I.1336	SOPORTE CENTRALITA BAR	BAR CONTROL BOARD SUPPORT
I.1337	COMPARTIMENTO DEPOSITO BAR 2 GR	2GR BAR TANK COMPARTMENT
I.1340	CAJON DEPOSITO BAR 2 GR ONE/P	ONE/PF/KAP 2GR BAR TANK DRAWER
I.1346	TAPA LATERAL DERECHA DEPOSITO	ONE/PF/KAP BAR TANK RIGHT LATE
I.1352	TAPA SUPERIOR BAR ONE/PF/KAP	ONE/PF/KAP BAR UPPER LID
I.1674	SOPORTE BOTONERA BAR ONE/PF/KA	BAR ONE/PF/KAP DOSING DEVICE
I.1679	COLUMNA BASE	BASE COLUMN
I.1685	MONTANTE DERECHO	RIGHT STUD
I.1686	MONTANTE IZQUIERDO	LEFT STUD
I.1711	FRONTAL INFERIOR DER. BAR KAP	2GR BAR KAP RIGHT LOWER FRONT
I.1712	FRONTAL INFERIOR IZQ. BAR KAP	2GR BAR KAP FRONT LOWER FRONT
I.1713	BASE MECANISMO BAR KAP 2GR	2GR BAR KAP MECHANISM BASE
I.1714	EMBELLECEDOR LATERAL DER. BAR KAP	BAR KAP RIGHT LATERAL COVER
I.1715	EMBELLECEDOR LATERAL IZQ. BAR KAP	BAR KAP LEFT LATERAL COVER
I.1717	GUIA CAJON BAR KAP 2GR	2GR BAR KAP DRAWER GUIDE
I.1721	CHAPA MICRO BAR KAP	BAR KAP MICRO PLATE
I.1722	BANDEJA BAR KAP 2GR	2GR BAR KAP TRAY WHOLE
I.2860	CESTA CAJON CAPSULAS BAR KAP 2GR	CAPSULE CRATE BASKET
I.3006	SOPORTE MICRO CAJON KAP	MICRO SUPPORT
I.3070	PIE INOX D60	INOX FOOT D60
MI.204	TORNILLO M4x10 INOX	M4x10 INOX SCREW



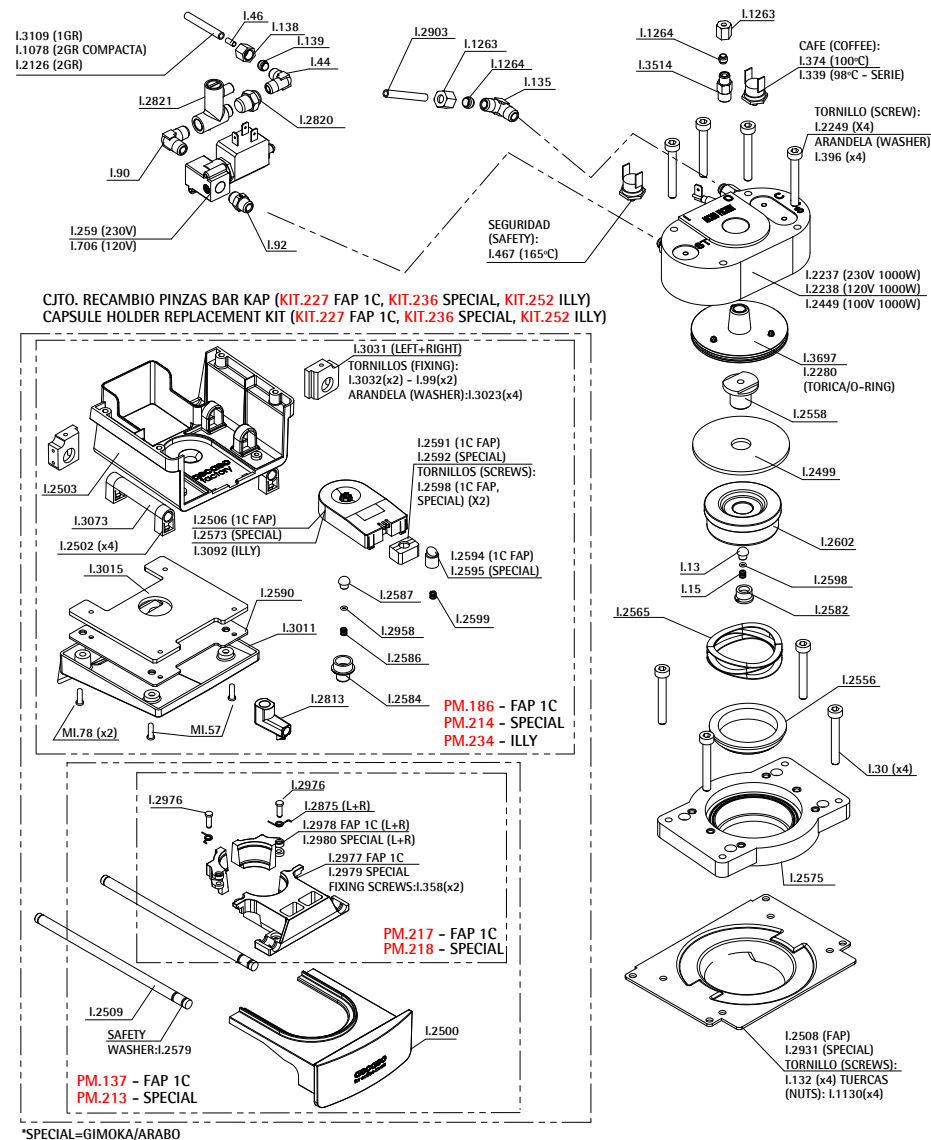
REF.	DESCRIPCIÓN	DESCRIPTION
I.169	MICROINTERRUPTOR PALANCA	LEVER MICROSWITCH
I.1336	SOPORTE CENTRALITA BAR	BAR CONTROL BOARD SUPPORT
I.1337	COMPARTIMENTO DEPOSITO BAR 3 GR	3GR BAR TANK COMPARTMENT
I.1338	BASE CAJON BAR 3GR	BAR DRAWER BASE
I.1340	CAJON DEPOSITO BAR 3 GR	3GR BAR TANK DRAWER
I.1679	COLUMNA BASE	BASE COLUMN
I.1751	FRONTAL INFERIOR DER. BAR KAP	1GR BAR KAP RIGHT LOWER FRONT
I.1752	FRONTAL INFERIOR IZQ. BAR KAP	1GR BAR KAP LEFT LOWER FRONT
I.1325	BASE BAR 3 GRUPOS	BASE - BAR 3GR
I.1331	TAPA TRASERA BAR 3 GR	BACK LID BAR 3GR
I.1328	BANDEJA BAR 3 GRUPOS	BAR 3 GROUPS TRAY
I.1329	REJILLA BAR 3 GRUPOS	COMPACT TRAY BAR 3GR
I.1738	TAPA TRASERA BAR 3GR INOX	REAR LID BAR 3GR INOX
I.2747	MONTANTE DERECHO BARISTA	RIGHT SUPPORT BARISTA
I.2748	MONTANTE IZQUIERDO BARISTA	LEFT SUPPORT BARISTA
I.2836	TAPA LATERAL DERECHA BARISTA	RIGHT SIDE LID BARISTA
I.2837	TAPA LATERAL IZQUIERDA BARISTA	LEFT SIDE LID BARISTA
I.2860	CESTA CAJON CAPSULAS BAR KAP	DRAWER BAR KAP COMPACTA
I.2912	EMBELLECEDOR DERECHO BAR KAP	RIGHT TRIM BAR KAP 2016
I.2913	EMBELLECEDOR IZQUIERDO BAR KAP	LEFT TRIM BAR KAP 2016
I.3006	SOPORTE MICRO CAJON KAP	MICRO SUPPORT
I.3048	BARANDILLA BAR 3GR 2016	RAILING BAR 3GR 2016
I.3070	PIE INOX D60	INOX FOOT D60
I.3307	TAPA LATERAL DERECHA BARISTA INOX	RIGHT SIDE LID BARISTA INOX
I.3308	TAPA LATERAL IZQ. BARISTA INOX 2015	LEFT SIDE LID BARISTA INOX 2015
I.3426	CARATULA BOTONERA BAR 3GR 2016	FRONTAL BAR 3GR 2016
I.3428	BASE MECANISMOS BAR KAP 3GR 2016	MECHANISM BASE BAR KAP 3GR
I.3432	IMAN CAJON DEPOSITO	TANK DRAWER MAGNET
I.3454	SOPORTE IMAN CAJON DEPOSITO	TANK DRAWER MAGNET BRACKET
I.3465	SOPORTE MICRO BAR KAP	SUPPORT MICRO BAR KAP
I.3473	FRONTAL INTERMEDIO BAR KAP 3GR	INTERM. FRONT BAR KAP 3GR
I.3480	TAPA SUPERIOR BAR 3 GRUPOS 2016	UPPER LID BAR 3 GROUPS 2016
I.3495	GUIA CAJON BAR KAP 3 GR	GUIDE
I.3496	CAJON CAPSULA BAR KAP 3 GR	BAR KAP 3GR TRAY
I.3498	TAPA LAT. DER. BAR DEPOSITO 2GR/3GR	RIGHT SIDE LID TANK BAR 2GR/3GR
I.3621	TAPA LAT. DER. BAR DEPOSITO INOX	RIGHT SIDE LID TANK BAR INOX

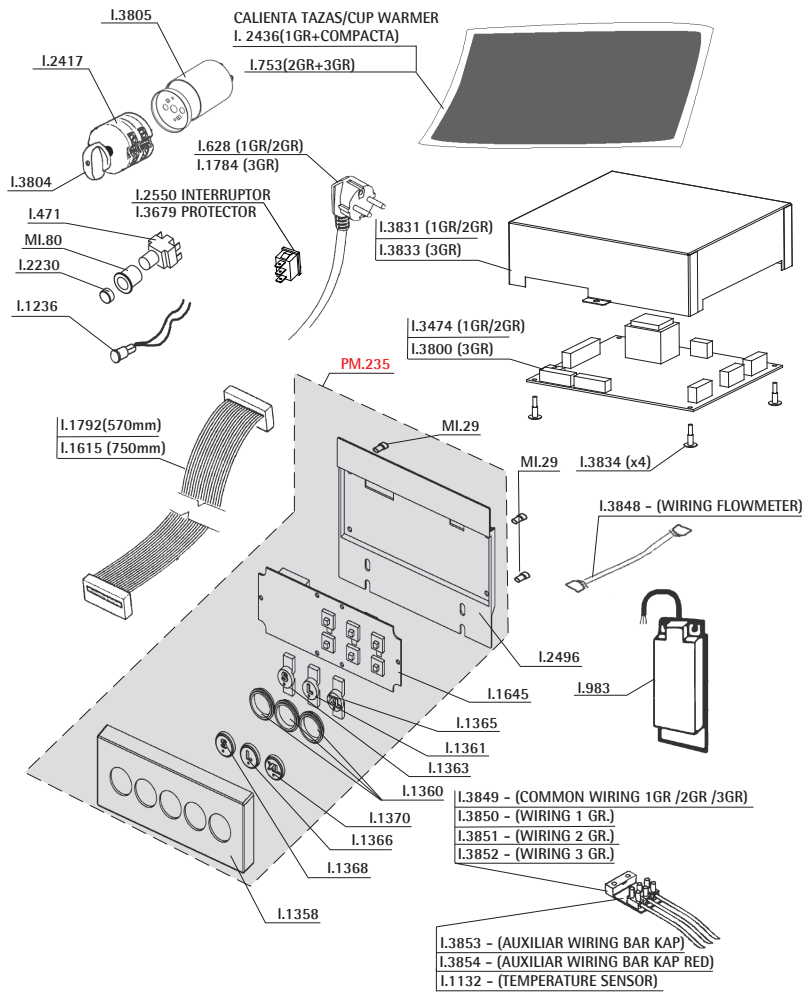


REF.	DESCRIPCIÓN	DESCRIPTION
L..13	VALVULA SILICONA	SILICONE VALVE
L..15	MUELLE VALVULA RETENCION	RETENTION VALVE SPRING
L..30	TORNILLO FLUACION INTERCAMBIAD	SCREW
L..44	RACOR CODO	ELBOW FITTING
L..46	REFUERZO TUBO	PIPE REINFORCEMENT
L..90	RACOR CODO	ELBOW FITTING
L..92	MACHON 1/8"	FITTING MALE
L..99	TORNILLO SOPORTE GRIFO INOX	TAP SUPPORT INOX SCREW
L..132	TORNILLO M5x8 INOX	DREAM FIXATION SCREW
L..135	RACOR CODO 1/2 13280	1/2 ELBOW FITTING
L..138	TUERCA BICONO	BICONE NUT
L..139	BICONO DE 6	BICONE
L..259	ELECTROVALVULA PASO 1.5 220V	220V 3 WAY SOLENOID
L..339	TERMOSTATO 98°	98° THERMOSTAT
L..358	TORNILLO PORTADUCHA INOX	INOX SCREW
L..374	TERMOSTATO 100°	100° THERMOSTAT
L..396	ARANDELA M-5 DENTADA M-5	M-5 DENTATE WASHER
L..467	TERMOSTATO SEGURIDAD M4 165°	M4 165° SAFETY THERMOSTAT
L..706	ELECTROVALVULA PASO 1.5 110V	120V 3 WAYS SOLENOID
L..868	SALIDA CAFE PLASTICO PF	PLASTIC 1 WAY OULET
L..1078	TUBO TEFLON 4X6 (200MM)	TEFLON PIPE 4X6 (200mm)
L..1263	TUERCA BICONO 4	BICONE NUT 4
L..1264	BICONO 4	BICONE 4
L..1265	TUBO TEFLON 4x6x350	TEFLON TUBE 4x6x350MM
L..2237	GRUPO INTERCAMBIADOR INOX 230V	230V INOX THERMOBLOCK
L..2238	CJTO. INTERCAMBIADOR INOX. 100	120V 1000V INOX EXCHANGER WHOL
L..2249	TORNILLO ALLEN 5x50MM DIN912 INOX	INOX DIN912 M5x50 SCREW
L..2280	TORICA MOLIDO 69.57x1.78 EPDM	INOX DIN912 M5x50 SCREW
L..2449	INTERCAMBIADOR COMPLETO	GASKET
L..2499	MEMBRANA KAP	THERMOBLOCK INOX 1000W 100V
L..2500	CARRO GRUPO AUTOMATICO CAPSULA	SILICONE WASHER KAP
L..2502	SOPORTE GRUPO AUTOMATICO CAPSULA	BAR CAPSULE AUT. BREWING UNIT
L..2503	SOPORTE GRUPO AUTOMATICO CAPSULA	CAPSULE AUT. BREWING UNIT PISTON
L..2506	RAMPA CAPSULA FAP	BAR CAPSULE AUT. BREWING UNIT S
L..2508	PLANCHA SOPORTE BAR GRUPO AUTO	CAPSULE AUT. BREWING UNIT SING
L..2509	PISTON GRUPO AUTOMATICO CAPSULA	BAR CAPSULE AUT. BREWING UNIT S
L..2556	CASQUILLO SOPORTE MUELLE G.CAP	CAPSULE BREWING UNIT PISTON
L..2558	CUERPO VALVULA RETENCION KAP	WASHER SPRING SUPPORT
L..2565	MUELLE EMBOLO GRUPO CAPSULA AU	VALVE FITTING FOR CAPSULE BREW
L..2573	RAMPA CAPSULA ARABO KAP	PISTON SPRING FOR CAPSULE BREW
L..2575	CAMARA COMPRESION KAP	KAP ARABO CAPSULE SUPPORT
L..2579	ARANDELA SEGURIDAD DIN6799 3.2	KAP PISTON SUPPORT
L..2582	TUERCA VALVULA RETENCION KAP	DIN6799 WASHER 3.2mm
L..2584	CIERRE S.CREMA KAP	KAP RETENTION VALVE NUT
L..2586	MUELLE SUPER CREMA KAP	EXTRA CREAM STOP KAP
L..2587	VALVULA S.CREMA KAP	SPRING
L..2589	JUNTA GRUPO CAPSULA	VALVE
L..2591	ALOJAMIENTO TOPE EXPULSION 1C	GASKET CAPSULE GROUP
L..2594	TOPE EXPULSION 1C	SUPPORT 1C
L..2595	TOPE EXPULSION 1CA	ALOJAMIENTO EXPULSION 1CA
L..2598	TORNILLO DIN-965 M3X10 INOX	EXPULSION 1C STOP
L..2599	MUELLE TOPE EXPULSION KAP	EXPULSION 1CA STOP
L..2602	EMBOLO GRUPO CAPSULA (MUELLE)	SCREW DIN-965 M3X10
L..2603	RAMPA RECOCGE-AGUA BAR KAP	SPRING
L..2620	MANGUITO M-H M12x100 - 1/8" G	UPPER GROUP PART
L..2621	BY-PASS	COLLECTS WATER RAMPS BAR KAP
L..2675	MUELLE PINZA CAFFITALY	COUPLING M-F M12x100 - 1/8" G
L..2678	JUNTA PORTA 72x54x5.3 G.P.L.	BY-PASS
L..2679	TUBO TEFLON 2X4 (170mm)	PLIERS SPRING CAFFITALY
L..2681	SALIDA SUPER-CREMA KAP/BAR KAP	GASKET HOLDER 72x54x5.3 G.P.L.
L..2682	ADAPTADOR SALIDA SUPER CREMA K	TEFLON PIPE 2X4 (170mm)
L..2683	AFUJO	EXIT SUPER-CREMA KAP/BAR KAP
L..2684	EJE GIRO PINZAS	EXIT ADAPTER SUPER CREM KAP/BA
L..2685	BASE PINZA FAP	SUPPORT WASHER
L..2686	BASE PINZA ESPECIAL	PLIERS SPIN AXLE
L..2687	PINZA MOVIL ESPECIAL	FAP PLIERS BASE
L..3023	ARANDELA GROWER DIN127 A2 D-3	SPECIAL PLIER BASE
L..3031	REFUERZO LATERAL GRUPO	MOBILE PLIER SPECIAL
L..3032	TORNILLO M3X10 DIN7985 INOX A-4	SCREW M3x8 INOX
L..3033	PROTECTOR GUIAS KAP/BAR KAP	SIDE REINFORCEMENT GROUP
L..3117	TORNILLO DIN933 M3X10	SCREW M3X10 DIN7985 INOX A-4
L..3514	RACOR CONEXION SOLO CAFE	KAP/BAR KAP GUIDE PROTECTOR
L..3697	TAPETA NUEVO INTERCAMBIADOR LATON	SCREW DIN933 M3x10
PM.137	CARRO GRUPO BAR KAP	COFFEE CONNECTOR FITTING
PM.186	SOPORTE CARRO CAPSULA 1 CAFE	EXCHANGER NEW LID BRASS
PM.213	CARRO GRUPO BAR KAP CAPSULA	CAPSULE 1 COFFEE SUPPORT
PM.214	SOPORTE CARRO CAPSULA ESPECIAL	BAR KAP CAPSULE GROUP CHARRIOT
PM.217	PINZA FAP COMPLETA	SPECIAL CAPSULE CHARRIOT SUPPORT
PM.218	PINZA ESPECIAL COMPLETA	PINZA FAP COMPLETA



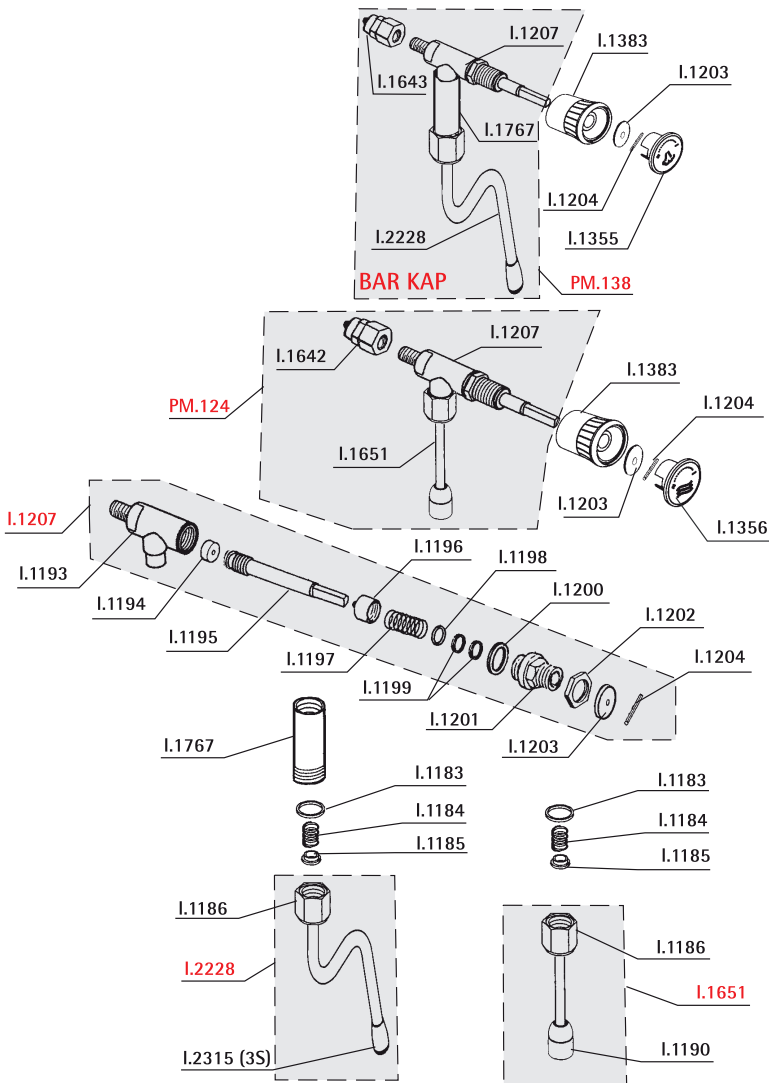
REF.	DESCRIPCIÓN	DESCRIPTION
L..13	VALVULA SILICONA	SILICONE VALVE
L..15	MUELLE VALVULA RETENCION	RETENTION VALVE SPRING
L..30	TORNILLO FLUACION INTERCAMBIAD	SCREW
L..44	RACOR CODO	ELBOW FITTING
L..46	REFUERZO TUBO	PIPE REINFORCEMENT
L..90	RACOR CODO	ELBOW FITTING
L..92	MACHON 1/8"	FITTING MALE
L..99	TORNILLO SOPORTE GRIFO INOX	TAP SUPPORT INOX SCREW
L..132	TORNILLO M5x8 INOX	DREAM FIXATION SCREW
L..135	RACOR CODO 1/2 13280	1/2 ELBOW FITTING
L..138	TUERCA BICONO	BICONE NUT
L..139	BICONO DE 6	BICONE
L..259	ELECTROVALVULA PASO 1.5 220V	220V 3 WAY SOLENOID
L..339	TERMOSTATO 98°	98° THERMOSTAT
L..358	TORNILLO PORTADUCHA INOX	INOX SCREW
L..374	TERMOSTATO 100°	100° THERMOSTAT
L..396	ARANDELA M-5 DENTADA M-5	M-5 DENTATE WASHER
L..467	TERMOSTATO SEGURIDAD M4 165°	M4 165° SAFETY THERMOSTAT
L..706	ELECTROVALVULA PASO 1.5 110V	120V 3 WAYS SOLENOID
L..1078	TUBO TEFLON 4X6 (200MM)	TEFLON PIPE 4X6 (200mm)
L..1263	TUERCA BICONO 4	BICONE NUT 4
L..1264	BICONO 4	BICONE 4
L..1265	TUBO TEFLON 4x6 (400mm)	TEFLON PIPE 2X4 (400mm)
L..2237	GRUPO INTERCAMBIADOR INOX 230V	230V INOX THERMOBLOCK
L..2238	CJTO. INTERCAMBIADOR INOX. 100	120V 1000V INOX EXCHANGER WHOL
L..2249	TORNILLO ALLEN 5x50MM DIN912 INOX	INOX DIN912 M5x50 SCREW
L..2280	TORICA MOLIDO 69.57x1.78 EPDM	INOX DIN912 M5x50 SCREW
L..2449	INTERCAMBIADOR COMPLETO	GASKET
L..2499	MEMBRANA KAP	THERMOBLOCK INOX 1000W 100V
L..2500	CARRO GRUPO AUTOMATICO CAPSULA	SILICONE WASHER KAP
L..2502	SOPORTE GRUPO AUTOMATICO CAPSULA	BAR CAPSULE AUT. BREWING UNIT
L..2503	SOPORTE GRUPO AUTOMATICO CAPSULA	CAPSULE AUT. BREWING UNIT PISTON
L..2506	RAMPA CAPSULA FAP	BAR CAPSULE AUT. BREWING UNIT S
L..2508	PLANCHA SOPORTE BAR GRUPO AUTO	CAPSULE AUT. BREWING UNIT SING
L..2509	PISTON GRUPO AUTOMATICO CAPSULA	BAR CAPSULE AUT. BREWING UNIT S
L..2556	CASQUILLO SOPORTE MUELLE G.CAP	CAPSULE BREWING UNIT PISTON
L..2558	CUERPO VALVULA RETENCION KAP	WASHER SPRING SUPPORT
L..2565	MUELLE EMBOLO GRUPO CAPSULA AU	VALVE FITTING FOR CAPSULE BREW
L..2573	RAMPA CAPSULA ARABO KAP	PISTON SPRING FOR CAPSULE BREW
L..2575	CAMARA COMPRESION KAP	KAP ARABO CAPSULE SUPPORT
L..2579	ARANDELA SEGURIDAD DIN6799 3.2	KAP PISTON SUPPORT
L..2582	TUERCA VALVULA RETENCION KAP	DIN6799 WASHER 3.2mm
L..2584	CIERRE S.CREMA KAP	KAP RETENTION VALVE NUT
L..2586	MUELLE SUPER CREMA KAP	EXTRA CREAM STOP KAP
L..2587	VALVULA S.CREMA KAP	SPRING
L..2589	JUNTA SALIDA CAFE BAR KAP/KAP	VALVE
L..2591	ALOJAMIENTO TOPE EXPULSION 1C	OUTPUT GASKET COFFEE BAR KAP
L..2594	TOPE EXPULSION 1C	SUPPORT 1C
L..2595	TOPE EXPULSION 1CA	ALOJAMIENTO EXPULSION 1CA
L..2598	TORNILLO DIN-965 M3X10 INOX	EXPULSION 1C STOP
L..2599	MUELLE TOPE EXPULSION KAP	EXPULSION 1CA STOP
L..2602	EMBOLO GRUPO CAPSULA (MUELLE)	SCREW DIN-965 M3X10
L..2603	SALIDA CAFE KAP/BAR KAP	SPRING
L..2620	MANGUITO M-H M12x100 - 1/8" G	UPPER GROUP PART
L..2621	BY-PASS	COLLECTS WATER RAMPS BAR KAP
L..2675	MUELLE PINZA CAFFITALY	COUPLING M-F M12x100 - 1/8" G
L..2678	TUBO TEFLON 2X4 (170mm)	BY-PASS
L..2679	ARANDELA AFUJO	PLIERS SPRING CAFFITALY
L..2681	EJE GIRO PINZAS	GASKET HOLDER 72x54x5.3 G.P.L.
L..2682	BASE PINZA FAP	TEFLON PIPE 2X4 (170mm)
L..2683	BASE PINZA ESPECIAL	EXIT SUPER-CREMA KAP/BAR KAP
L..2684	PINZA MOVIL ESPECIAL	EXIT ADAPTER SUPER CREM KAP/BA
L..2685	PINZA MOVIL ESPECIAL	SUPPORT WASHER
L..2686	PINZA MOVIL ESPECIAL	PLIERS SPIN AXLE
L..2687	PINZA MOVIL ESPECIAL	FAP PLIERS BASE
L..2688	PINZA MOVIL ESPECIAL	SPECIAL PLIER BASE
L..2689	PINZA MOVIL ESPECIAL	MOBILE PLIER SPECIAL
L..3015	CHAPA REFUERZO	SCREW M3x8 INOX
L..3023	ARANDELA GROWER DIN127 A2 D-3	SIDE REINFORCEMENT GROUP
L..3031	REFUERZO LATERAL GRUPO	SCREW M3X10 DIN7985 INOX A-4
L..3032	TORNILLO M3X10 DIN7985 INOX A-4	KAP/BAR KAP GUIDE PROTECTOR
L..3033	PROTECTOR GUIAS KAP/BAR KAP	CAPSULE RAMP ILLY
L..3092	RAMPA CAPSULA ILLY	TEFLON PIPE 2X4 (300mm)
L..3108	TUBO TEFLON 4x6 (300mm)	COFFEE CONNECTOR FITTING
L..3514	RACOR CONEXION SOLO CAFE	EXCHANGER NEW LID BRASS
L..3697	TAPETA NUEVO INTERCAMBIADOR LATON	CAPSULE 1 COFFEE SUPPORT
KIT227	KIT CAMBIO PINZAS BAR KAP FAP 1C	BAR KAP CAPSULE GROUP CHARRIOT
KIT236	KIT CAMBIO PINZAS BAR KAP ESPECIAL	SPECIAL CAPSULE CHARRIOT SUPPORT
KIT252	KIT CAMBIO PINZAS BAR KAP ILLY	PINZA FAP COMPLETA
MI.57	TORNILLO M4X12	PINZA ESPECIAL COMPLETA
MI.78	TORNILLO M4X20	SOPORTE CARRO CAPSULA ILLY
PM.137	CARRO GRUPO BAR KAP	
PM.186	SOPORTE CARRO CAPSULA 1 CAFE	
PM.213	CARRO GRUPO BAR KAP CAPSULA	
PM.214	SOPORTE CARRO CAPSULA ESPECIAL	
PM.217	PINZA FAP COMPLETA	
PM.218	PINZA ESPECIAL COMPLETA	
PM.234	SOPORTE CARRO CAPSULA ILLY	





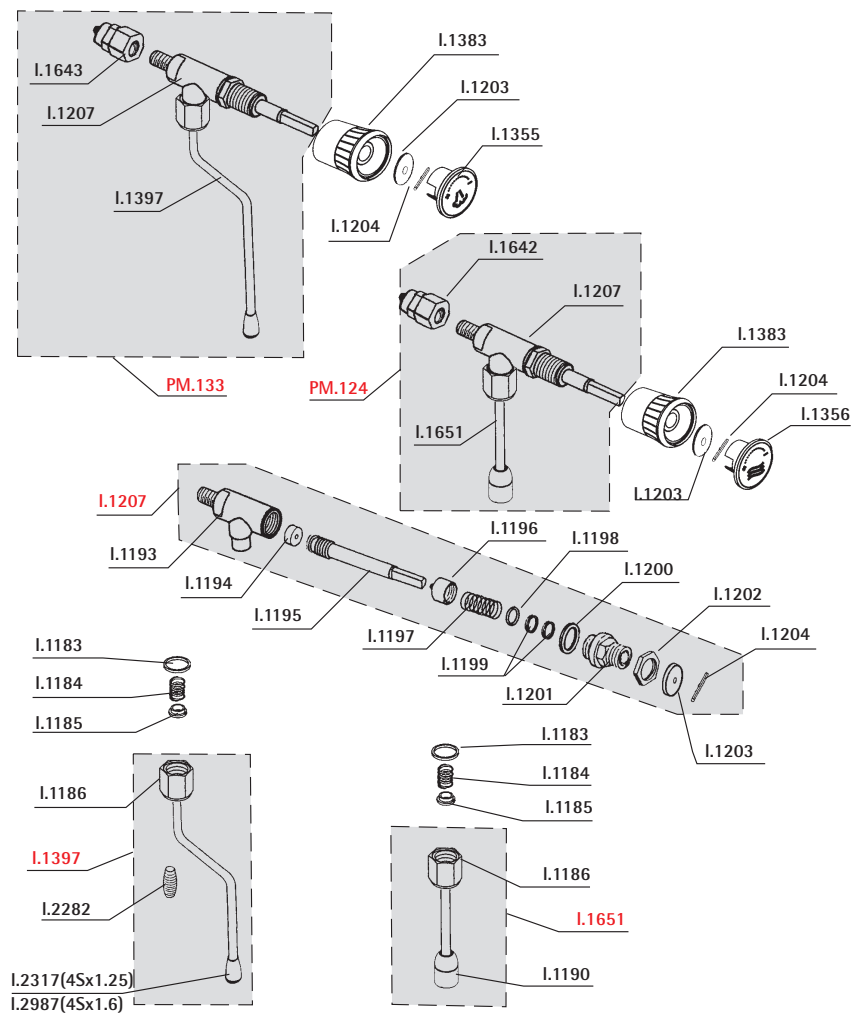
REF.	DESCRIPCIÓN	DESCRIPTION
I.471	INTERRUPTOR UNIPOLAR	UNIPOlar SWITCH
I.628	CABLE RED STEEL 1.5 HOMOLOGADO	STEEL WIRING
I.753	RESIST. CALIENTA TAZAS BAR 2GR	RESIST. CUPWARMER BAR 2GR
I.1132	SONDA TEMPERATURA NTC MF58	TEMPERATURE PROBE PTP-51F
I.1236	PILOTO AZUL 230V.	PILOt BLUE 230V.
I.1358	CAJA BOTONERA	DOSING DEVICE BOX
I.2496	TAPA CAJA BOTONERA	DOSING DEVICE BOX LID
I.1360	EMBELLECEDOR BOTONERA	DOSING DEVICE PROTECTOR
I.1361	INTERRUPTOR L	SWITCH L
I.1363	INTERRUPTOR S	SWITCH S2
I.1365	INTERRUPTOR XL	SWITCH XL
I.1366	TECLA L	L BUTTON
I.1368	TECLA S	S BUTTON
I.1370	TECLA XL	XL BUTTON
I.1615	CABLE BOTONERA GRUPO DERECHO 7	750mm RIGHT GROUP D. DEVICE
I.1784	CABLE RED 3 CONDUCTORES + TIERRA	230V BARISTA WIRING
I.1792	CABLE BOTONERA GRUPO IZQUIERDO	570mm LEFT GROUP D. DEVICE
I.2230	BOTON TECLA ON/OFF	ON/OFF KEY
I.2417	INTERRUPTOR BAR 3 POSICIONES	THREE POSITIONS BAR SWITCH
I.2436	RESIST. CALIENTA TAZAS BAR 1GR	RESIST. CUPWARMER BARISTA 1GR
I.2496	TAPA CAJA BOTONERA	DOSING DEVICE BOX LID
I.2550	INTERRUPTOR LEDS	LEDs SWITCH
I.3474	CENTRALITA GAMA BAR 2016 1-2 GRUPOS	ELECTRONIC BOX BAR 2016 1-2 GR
I.3679	PROTECTOR PVC INTERRUPTOR	PVC SWITCH PROTECTOR
I.3800	CENTRALITA GAMA BAR 2016 3 GRUPOS	ELECTRONIC BOX BAR 2016 3 GR
I.3804	MARCO + MANDO INTERRUPTOR BAR	BAR SWITCH FRAME + CONTROL
I.3805	PROTEC. INTERRUPTOR ROTATIVO BAR	BAR ROTATING SWITCH PROTEC.
I.3831	TAPA CENTRALITA BAR 1GR/2GR 2016	CIRCUIT COVER BAR 1GR/2GR 2016
I.3833	TAPA CENTRALITA BAR 3GR 2016	CIRCUIT COVER BAR 3GR 2016
I.3834	SOPORTE CIRCUITO ELECTRONICO BAR	ELECTRONIC CIRCUIT COVER BAR
I.3848	CABLE CONTADOR VOL. BAR 2016	FLOWMETER WIRING BAR 2016
I.3849	CJTO CABLEADO BAR 1/2/3 GR. 2016	WIRING BAR 1/2/3 GR. 2016
I.3850	CJTO CABLEADO BAR 1 GR. 2016	WIRING BAR 1 GR. 2016
I.3851	CJTO CABLEADO BAR 2 GR. 2016	WIRING BAR 2 GR. 2016
I.3852	CJTO CABLEADO BAR 3 GR. 2016	WIRING BAR 3 GR. 2016
I.3853	CONECTOR AUXILIAR BAR KAP 2016	CONNECTOR AUXILIAR BAR 2016
I.3854	CONECTOR AUXILIAR BAR KAP RED 2016	CONNECTOR AUX. BAR KAP RED
MI.29	TORNILLO	RUBBER RING
MI.80	SOPORTE CROMADO	MICRO SUPPORT
PM.235	BOTONERA BAR / BAR KAP	BAR / BAR KAP DOSING DEVICE

Grifos Vapor/Agua (+01/2012) y modelos ECO ■ Bar Steam/Water Taps (+01/2012) and ECO models

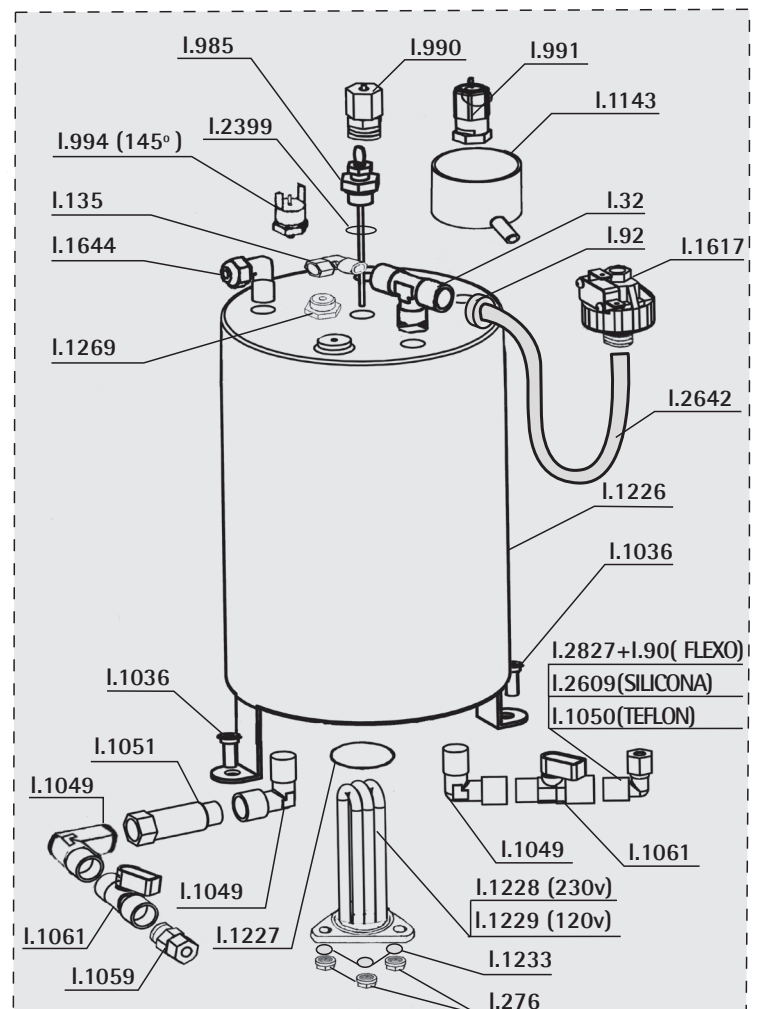


REF.	DESCRIPCIÓN	DESCRIPTION
I.1183	ARANDELA GRIFO AGUA	WATER TAP WASHER
I.1184	MUELLE GRIFO SALIDA VAPOR-AGUA	STEAM-WATER OUTLET TAP SPRING
I.1185	GUIA MUELLE GRIFO AGUA	SPRING GUIDE WATER TAP
I.1186	TUERCA TUBO SALIDA VAPOR-AGUA	STEAM WATER OUTLET PIPE NUT
I.1190	SALIDA GRIFO AGUA	WATER TAP OUTLET
I.1193	CUERPO GRIFO	TAP BODY
I.1194	TACO GRIFO	TAP GASKET
I.1195	EJE GRIFO	TAP ROD
I.1196	ALOJAMIENTO TACO GRIFO	TAP HOLDER LODGING
I.1197	MUELLE EJE GRIFO	TAP ROD SPRING
I.1198	GUIA MUELLE EJE GRIFO	SPRING GUIDE ROD TAP
I.1199	JUNTA EJE GRIFO	ROD TAP GASKET
I.1200	ARANDELA COBRE GRIFO	TAP COPPER WASHER
I.1201	RACOR GRIFO	TAP FITTING
I.1202	TUERCA GRIFO	TAP NUT
I.1203	ARANDELA GRIFO	TAP COPPER
I.1204	PASADOR GRIFO	TAP PIN
I.1207	GRIFO VAPOR-AGUA N. QUIMICO	STEAM-WATER TAP
I.1355	TAPA POMO VAPOR	STEAM HANDLE LID
I.1356	TAPA POMO AGUA	WATER HANDLE LID
I.1383	POMO GRIFO VAPOR/AGUA BARISTA	BARISTA WATER/STEAM TAP HANDLE
I.1642	RACOR 6/4x1/4 NIQUEL	NECKEL 1/4 x6/4 FITTING
I.1643	RACOR GRIFO VAPOR NIQUEL	NECKEL STEAM TAP FITTING
I.1651	TUBO AGUA INOX ANTICALORICO	ANTICALORIC INOX WATER PIPE
I.1767	PROLONGACION GRIFO BAR KAP	BAR KAP TAP EXTENSION
I.2228	TUBO VAPOR STEEL PROF/BAR KAP	ANTICALORIC PROF/BAR KAP MD ST
I.2315	SALIDA TUBO VAPOR 3 AGUJEROS	UNO PROF/BAR KAP HOLES 3 STEAM
PM.124	GRIFO AGUA BAR ONE/PF/KAP	BAR ONE/PF/KAP WATER TAP WHOLE
PM.138	GRIFO VAPOR BAR KAP	BAR KAP STEAM TAP WHOLE

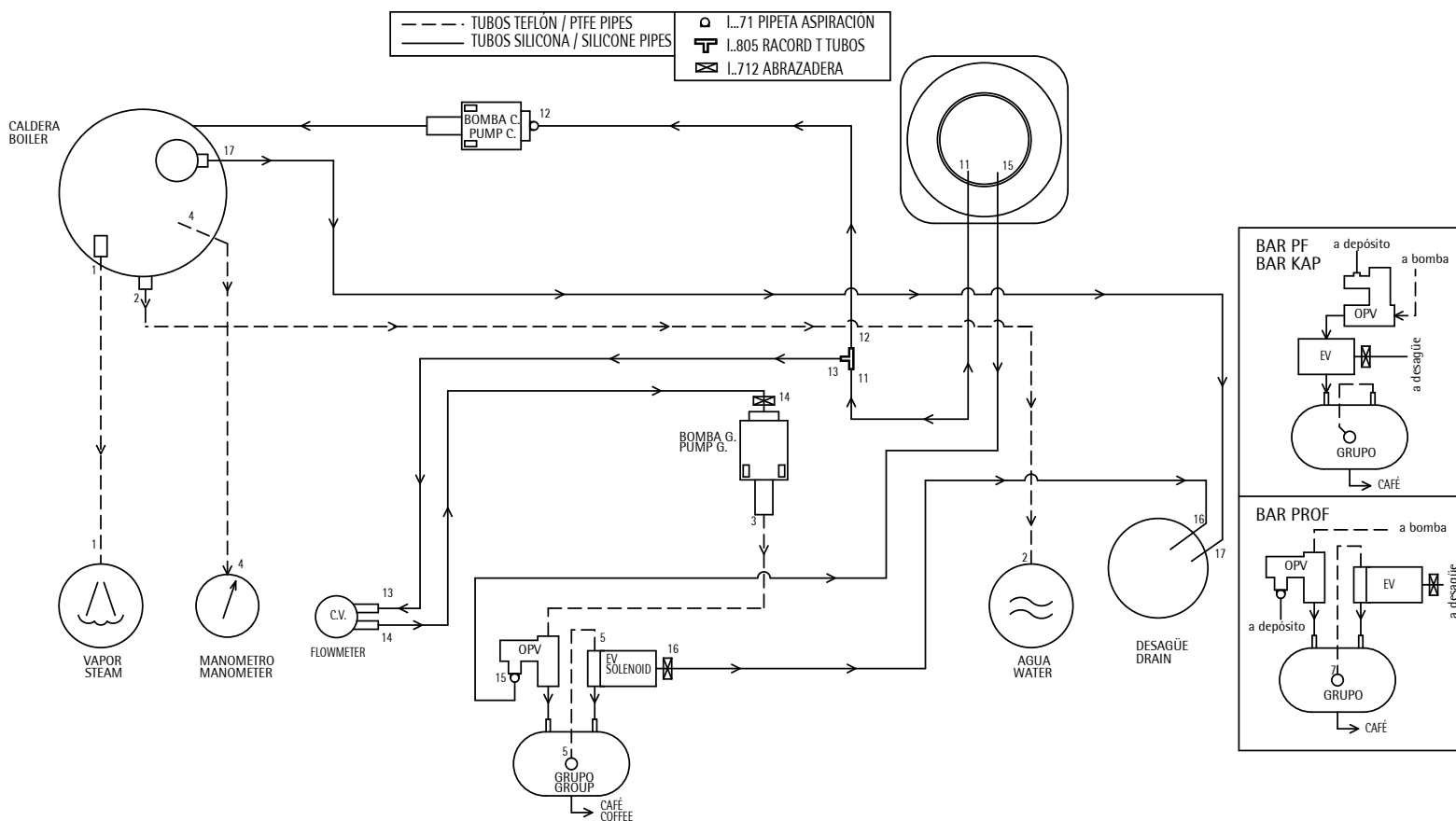
REF.	DESCRIPCIÓN	DESCRIPTION
I.1183	ARANDELA GRIFO AGUA	WATER TAP WASHER
I.1184	MUELLE GRIFO SALIDA VAPOR-AGUA	STEAM-WATER OUTLET TAP SPRING
I.1185	GUIA MUELLE GRIFO AGUA	SPRING GUIDE WATER TAP
I.1186	TUERCA TUBO SALIDA VAPOR-AGUA	STEAM WATER OUTLET PIPE NUT
I.1190	SALIDA GRIFO AGUA	WATER TAP OUTLET
I.1193	CUERPO GRIFO	TAP BODY
I.1194	TACO GRIFO	TAP GASKET
I.1195	EJE GRIFO	TAP ROD
I.1196	ALOJAMIENTO TACO GRIFO	TAP HOLDER LODGING
I.1197	MUELLE EJE GRIFO	TAP ROD SPRING
I.1198	GUIA MUELLE EJE GRIFO	SPRING GUIDE ROD TAP
I.1199	JUNTA EJE GRIFO	ROD TAP GASKET
I.1200	ARANDELA COBRE GRIFO	TAP COPPER WASHER
I.1201	RACOR GRIFO	TAP FITTING
I.1202	TUERCA GRIFO	TAP NUT
I.1203	ARANDELA GRIFO	TAP COPPER
I.1204	PASADOR GRIFO	TAP PIN
I.1207	GRIFO VAPOR-AGUA N. QUIMICO	STEAM-WATER TAP
I.1355	TAPA POMO VAPOR	STEAM HANDLE LID
I.1356	TAPA POMO AGUA	WATER HANDLE LID
I.1383	POMO GRIFO VAPOR/AGUA BARISTA	BARISTA WATER/STEAM TAP HANDLE
I.1397	TUBO VAPOR INOX ANTICALORICO	ANTICALORIC INOX STEAM PIPE
I.1642	RACOR 6/4 1/4 NIQUEL	INJECTOR FITTING
I.1643	RACORD GRIFO VAPOR NIQUEL	NECKEL STEAM TAP FITTING
I.1651	TUBO AGUA INOX ANTICALORICO	ANTICALORIC INOX WATER PIPE
I.2282	PROTECTOR TUBO VAPOR BARISTA	BARISTA STEAM PIPE PROTECTOR
I.2317	SALIDA VAPOR BARISTA (4xD1.25)	STEAM OUTLET BARISTA (4xD1.25)
I.2987	SALIDA VAPOR BARISTA (4xD1.6)	STEAM OUTLET BARISTA (4xD1.6)
PM.124	GRIFO AGUA BAR ONE/PF/KAP	BAR WATER TAP WHOLE
PM.133	GRIFO VAPOR BAR	BAR STEAM TAP WHOLE



REF.	DESCRIPCIÓN	DESCRIPTION
ESC206	CALDERA AGUA-VAPOR BAR 120V	230V BAR WATER-STEAM
ESC306	CALDERA AGUA-VAPOR BAR 230V	230V BAR WATER-STEAM
I..32	TE INTERMEDIA NIQUEL QUIMICO	CENTRAL FITTING
I..135	RACOR CODO 13280	1/8 ELBOW FITTING
I..276	TUERCA M8	M8 NUT
I..488	RACOR CODO 1/8 M-H	1/8 M-H ELBOW FITTING
I..985	SONDA BAR COMPLETA 120mm	120mm LEVEL PROBE
I..990	VALVULA VACIO 1/4	1/4 EMPTY VALVE
I..991	VALVULA SEGURIDAD BAR	BAR SAFETY VALVE
I..994	TERMOSTATO SEGURIDAD	SAFETY THERMOSTAT
I.1036	TORNILLO FIJACION CALDERA	BOILER FIXED SCREW
I.1049	RACOR CODO 5020 1/4	BEND FITTING 5020 1/4
I.1050	RACOR CODO 13280 6 1/4	BEND FITTING 13280 6 1/4
I.1051	PROLONGACION 2070 1/4 1/4	EXTENSION 2070 1/4 1/4
I.1059	RACOR RECTO	FITTING STRAIGHT
I.1061	GRIFO BOLA 1/4m-1/4h BAR	BAR SOLENOID BALL M/H
I.1143	RECOGE AGUA CALDERA BAR	BAR TRAY WATER BOILER
I.1226	CALDERA BAR 154X230	154X230 BAR BOILER
I.1227	TORICA 37.69 X 3.53 SILICONA	SILICONE RING 37.69 X 3.53
I.1228	RESISTENCIA 1200w BAR 230V INO	BAR CLASP RESISTANCE 230V
I.1229	RESISTENCIA BAR BRIDA 120V	BAR CLASP RESISTANCE 120V
I.1269	RACOR TERMOSTATO DE SEGURIDAD	BAR BOILER SAFETY THERMOSTAT F
I.1617	PRESOSTATO REGULABLE (0.5/1.5	(0.5/1.5 BAR) ADJUSTABLE PRESS
I.1644	RACOR CODO TUBO 8 MM NIQUEL 1	NECKEL 8MM TUBE ELBOW FITTING
I.2642	TUBO COBRE 1/8 1/8	1/8 1/8 COOPER TUBE
I.2827	REDUCTOR CILINDRICO 1/4 1/8	CLINDRIC RECUDER 1/4 1/8



ESC.306 (230V)
ESC.206 (120V)

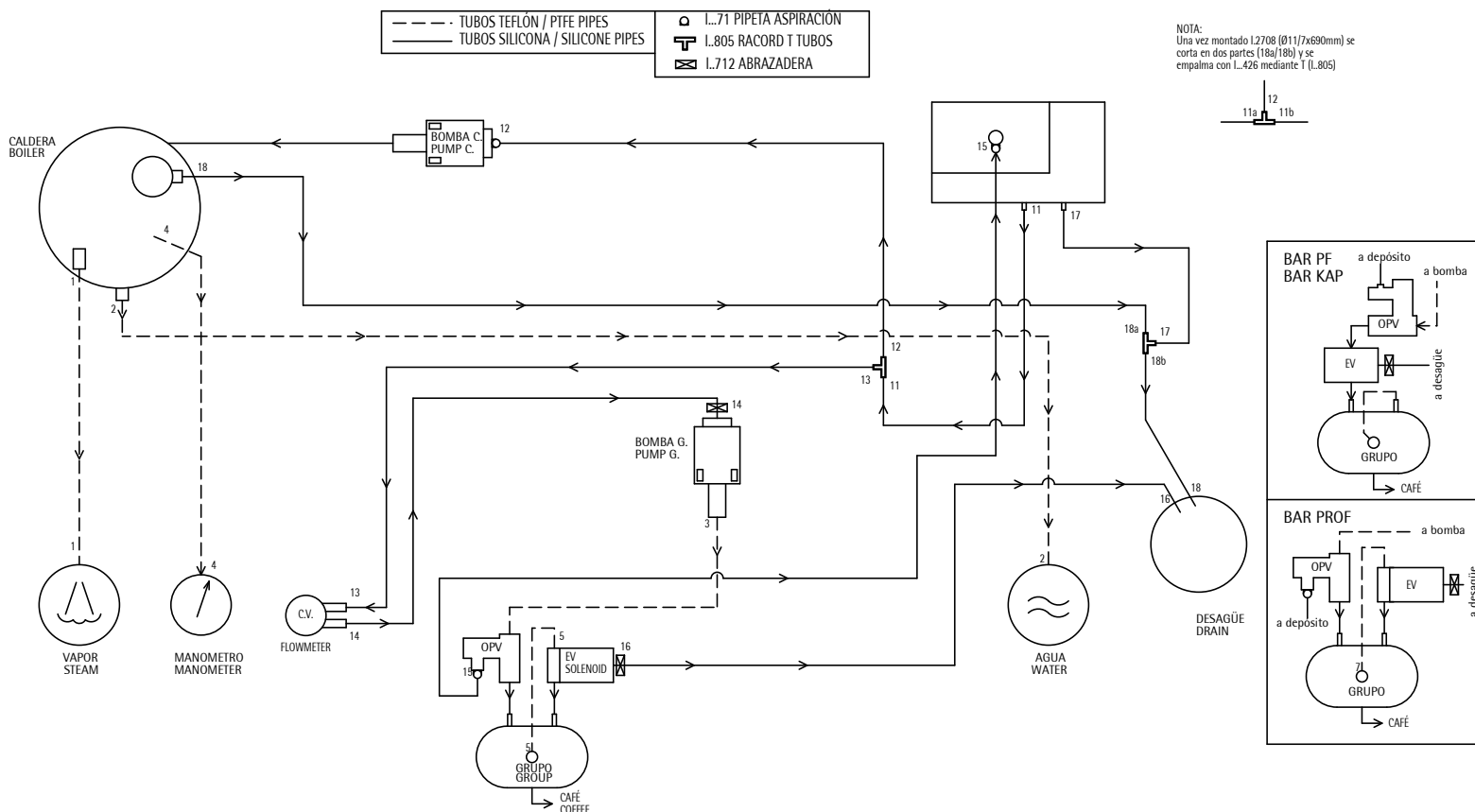


TUBOS TEFLÓN / PTFE PIPES

1. L.3720 (Ø6/8x290mm)
2. L.1073 (Ø4/6x650mm)
3. L.2136 (Ø4/6x220mm)
4. L.1074 (Ø2/4x500mm)
5. ESC426 (L.2903 - Ø2/4x170mm)

TUBOS SILICONA / SILICONE PIPES

- | | |
|-------------------------|--------------------------|
| 11. L.1090 (Ø5/8x440mm) | 15. L.739 (Ø5/8x600mm) |
| 12. L.426 (Ø5/8x370mm) | 16. L.739 (Ø5/8x600mm) |
| 13. L.1090 (Ø5/8x440mm) | 17. L.2708 (Ø7/11x690mm) |
| 14. L.2108 (Ø5/8x220mm) | |



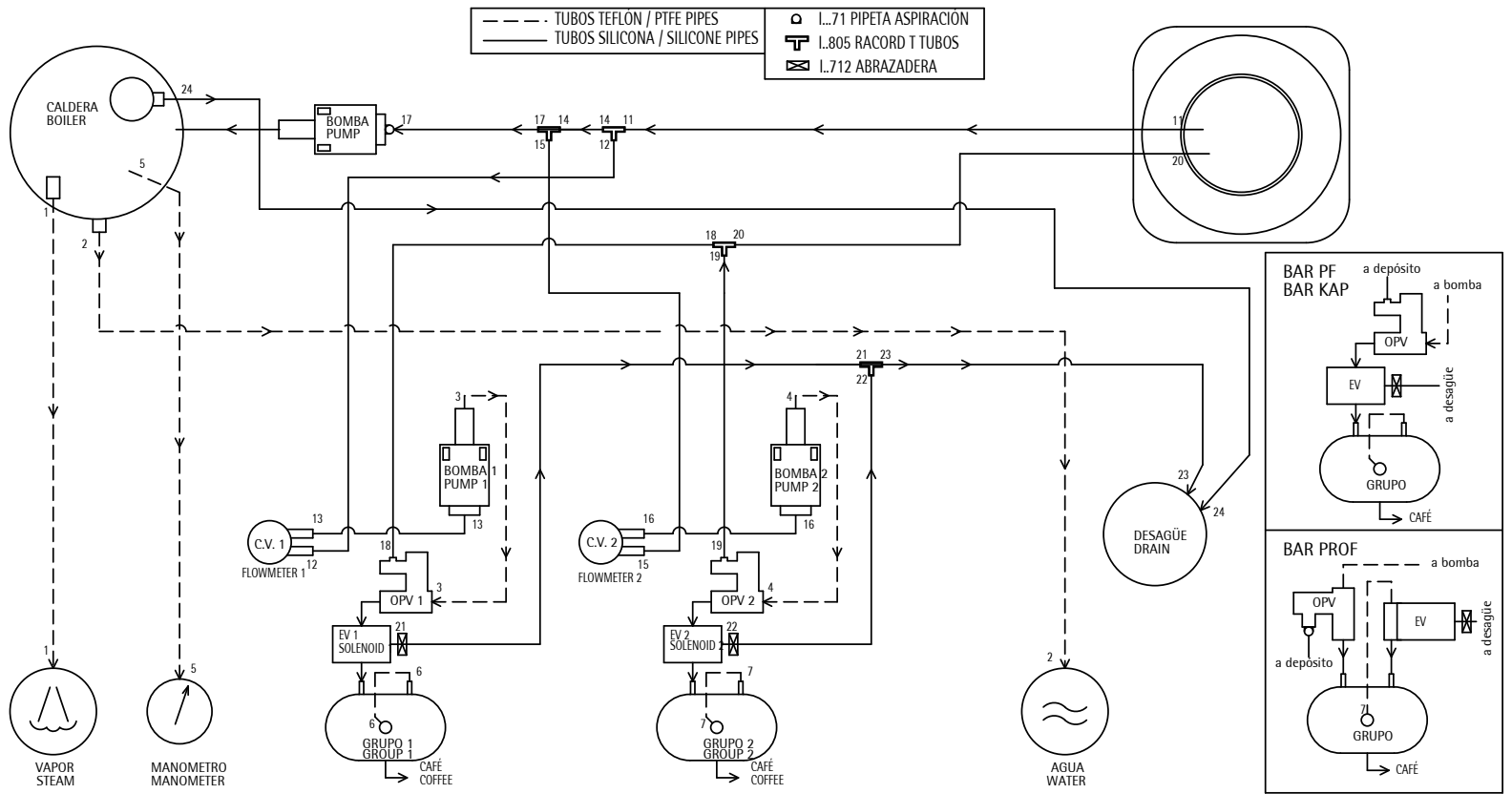
NOTA:
Una vez montado L.2708 (Ø11/7x690mm) se corta en dos partes (18a/18b) y se empalma con L.426 mediante T (L.805)

TUBOS TEFLÓN / PTFE PIPES

1. L.3720 (Ø6/8x290mm)
2. L.1073 (Ø4/6x650mm)
3. L.2136 (Ø4/6x220mm)
4. L.1074 (Ø2/4x500mm)
5. ESC426 (L.2903 - Ø2/4x170mm)

TUBOS SILICONA / SILICONE PIPES

- | | |
|-------------------------|--------------------------|
| 11. L.426 (Ø5/8x370mm) | 15. L.2107 (Ø5/8x400mm) |
| 12. L.1087 (Ø5/8x300mm) | 16. L.739 (Ø5/8x600mm) |
| 13. L.1087 (Ø5/8x300mm) | 17. L.426 (Ø5/8x370mm) |
| 14. L.2108 (Ø5/8x220mm) | 18. L.2708 (Ø7/11x690mm) |

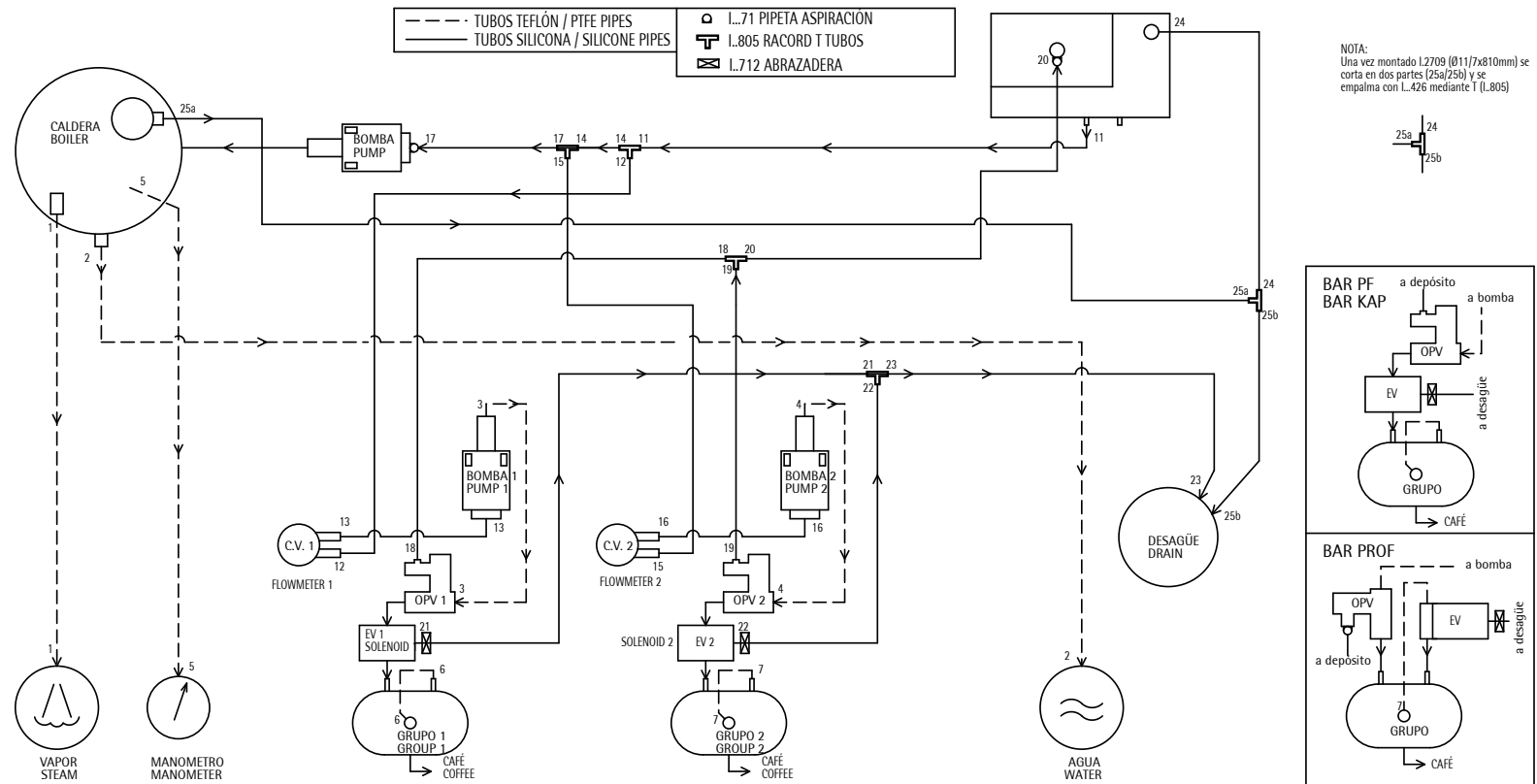


TUBOS TEFLÓN / PTFE PIPES

- 1. I.3720 - 6x8 (290mm)
- 2. I.1073 - 4x6 (650mm)
- 3. I.1078 - 4x6 (200mm)
- 4. I.1078 - 4x6 (200mm)
- 5. I.3723 - 2x4 (650mm)
- 6. PM GRUPO 1
- 7. PM GRUPO 2

TUBOS SILICONA / SILICONE PIPES

- 11. I.1080 - 5x8 (500mm)
- 12. I.739 - 5x8 (600mm)
- 13. I.2118 - 5x8 (160mm)
- 14. I.1088 - 5x8 (40mm)
- 15. I.1080 - 5x8 (500mm)
- 16. I.2118 - 5x8 (160mm)
- 17. I.1080 - 5x8 (500mm)
- 18. I.2107 - 5x8 (400mm)
- 19. I.2108 - 5x8 (220mm)
- 20. I.1087 - 5x8 (300mm)
- 21. I.1080 - 5x8 (500mm)
- 22. I.426 - 5x8 (370mm)
- 23. I.1087 - 5x8 (300mm)
- 24. I.2709 - 5x11 (810mm)



NOTA:
Una vez montado I.2709 (Ø11/7x810mm) se corta en dos partes (25a/25b) y se empalma con I.426 mediante I. (I.805)

TUBOS TEFLÓN / PTFE PIPES

- 1. I.3720 - 6x8 (290mm)
- 2. I.1073 - 4x6 (650mm)
- 3. I.1078 - 4x6 (200mm)
- 4. I.1078 - 4x6 (200mm)
- 5. I.3723 - 2x4 (650mm)
- 6. PM GRUPO 1
- 7. PM GRUPO 2

TUBOS SILICONA / SILICONE PIPES

- 11. I.1087 - 5x8 (300mm)
- 12. I.2107 - 5x8 (400mm)
- 13. I.2118 - 5x8 (160mm)
- 14. I.1088 - 5x8 (40mm)
- 15. I.2107 - 5x8 (400mm)
- 16. I.2118 - 5x8 (160mm)
- 17. I.426 - 5x8 (370mm)
- 18. I.2107 - 5x8 (400mm)
- 19. I.2108 - 5x8 (220mm)
- 20. I.1087 - 5x8 (300mm)
- 21. I.1080 - 5x8 (500mm)
- 22. I.426 - 5x8 (370mm)
- 23. I.1087 - 5x8 (300mm)
- 24. I.426 - 5x8 (370mm)
- 25. I.2709 - 5x11 (810mm)

