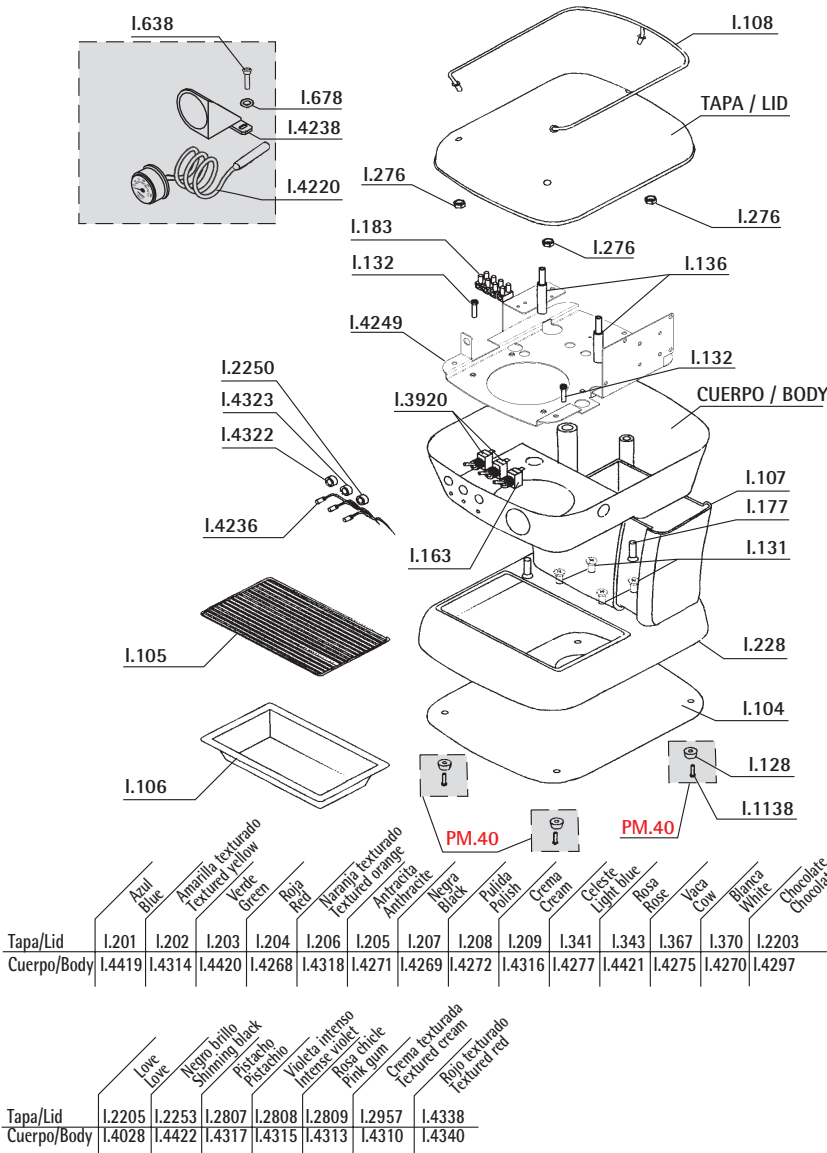


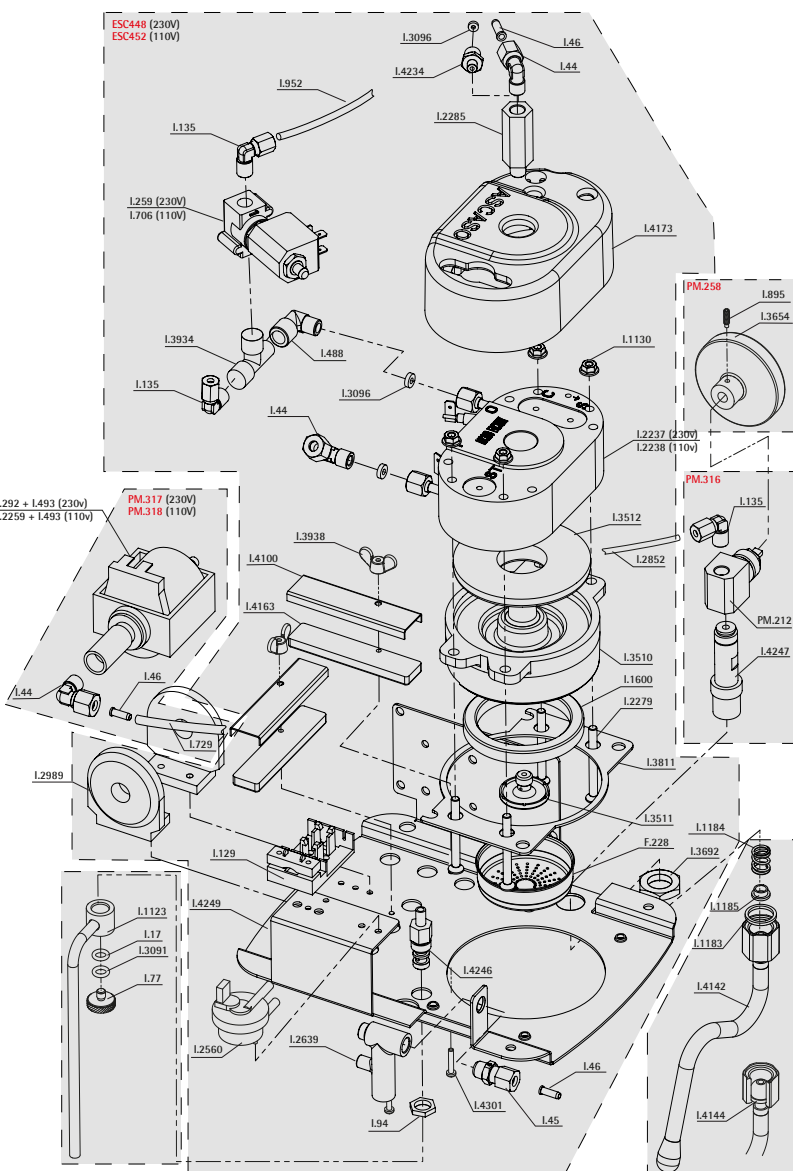


Dream PID



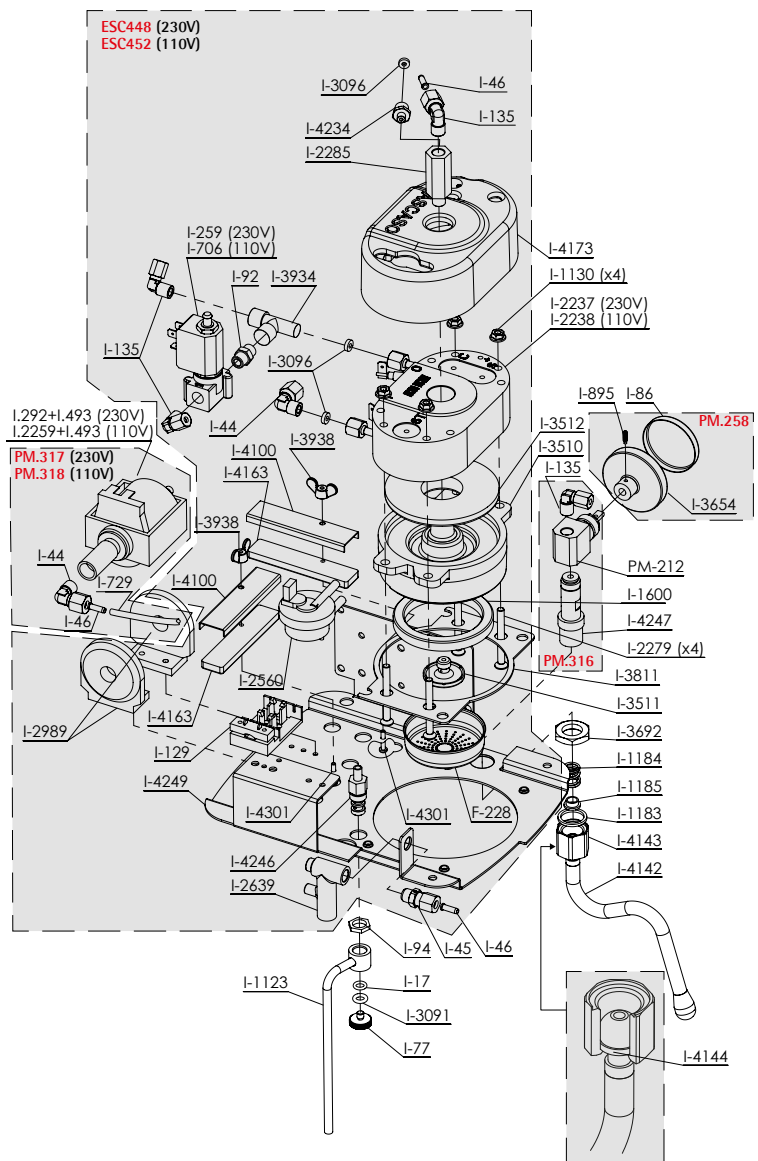
REF.	DESCRIPCIÓN	DESCRIPTION
I..104	BASE FONDO DREAM	DREAM BASE
I..105	REJILLA DREAM	DREAM GRID
I..106	BANDEJA DREAM INOX	INOX DREAM TRAY
I..107	DEPOSITO DREAM	DREAM WATER TANK
I..108	BARANDILLA DREAM	DREAM BANISTER
I..128	PIE GOMA	RUBBER FOOT
I..131	TORNILLO FIJ. CUERPO DREAM	SCREW
I..132	TORNILLO FIJ. BASE MECAN.DREAM	DREAM FIXATION SCREW
I..136	UNION TAPA DREAM	DREAM LID UNION
I..163	INTERRUPTOR DREAM ON-OFF	DREAM ON-OFF SWITCH
I..177	TORNILLO TAPA DREAM INOX	INOX DREAM LID SCREW
I..183	REGLETA 4 VIAS	4 WAYS CONNECTOR
I..201	TAPA DREAM AZUL	BLUE DREAM LID
I..202	TAPA DREAM AMARILLO TEXTURADO	TEXTURED YELLOW DREAM LID
I..203	TAPA DREAM VERDE	GREEN DREAM LID
I..204	TAPA DREAM ROJA	RED DREAM LID
I..205	TAPA DREAM ANTRACITA	GREY DREAM LID
I..206	TAPA DREAM NARANJA TEXTURADO	TEXTURED ORANGE DREAM LID
I..207	TAPA DREAM NEGRA	BLACK DREAM LID
I..208	TAPA DREAM PULIDA	POLISH DREAM LID
I..209	TAPA DREAM CREMA	CREAM DREAM LID
I..228	BASE DREAM PULIDA	POLISH DREAM BASE
I..276	TUERCA M8	M8 NUT
I..341	TAPA DREAM CELESTE	BLUE LIGHT DREAM LID
I..343	TAPA DREAM ROSA	PINK DREAM LID
I..367	TAPA DREAM VACA	COW DREAM LID
I..370	TAPA DREAM BLANCA NIEVE	WHITE LID DREAM
I..638	TORNILLO SUJECION TERMOMETRO INOX	THERMOMETER SCREW
I..678	ARANDELA DIN9021 M5 ZINCADA	WASHER
I.1138	TORNILLO M5x15 INOX	M5x15 INOX SCREW
I.2203	TAPA DREAM CHOCOLATE	CHOCOLAT DREAM LID
I.2205	TAPA DREAM LOVE	LOVE DREAM LID
I.2250	TUERCA INTERRUPTOR DREAM ON/OFF	DREAM ON/OFF SWITCH NUT
I.2253	TAPA DREAM NEGRO BRILLO	SHINNING BLACK DREAM LID
I.2807	TAPA DREAM PISTACHO	PISTACHIO DREAM LID
I.2808	TAPA DREAM VIOLETA INTENSO	INTENSE VIOLET DREAM LID
I.2809	TAPA DREAM ROSA CHICLE	PINK GUM DREAM LID
I.2957	TAPA DREAM CREMA TEXTURADA	TEXTURED CREAM DREAM LID
I.3920	INTERRUPTOR CAFE STEEL TRONIC 2016	COFFEE SWITCH STEEL TRONIC 2016
I.4028	CUERPO DREAM PID LOVE	LOVE BODY DREAM
I.4220	MANOMETRO DREAM/STEEL	MANOMETER DREAM/STEEL
I.4236	PILOTO BLANCO STEEL 230V	PILOT WHITE STEEL 220V
I.4238	SOPORTE MANOMETRO DREAM PID	MANOMETER BRACKET DREAM PID
I.4249	CHAPA GRUPO DREAM PID	DREAM PID GROUP PLATE
I.4270	CUERPO DREAM PID BLANCO	WHITE DREAM BODY
I.4271	CUERPO DREAM PID ANTRACITA	GREY DREAM BODY
I.4275	CUERPO DREAM PID VACA	COW BODY DREAM
I.4277	CUERPO DREAM PID CELESTE	KID BLUE BODY DREAM
I.4268	CUERPO DREAM PID ROJO	RED DREAM BODY
I.4269	CUERPO DREAM PID NEGRO	BLACK DREAM BODY
I.4272	CUERPO DREAM PID PULIDO	POLISH DREAM BODY
I.4297	CUERPO DREAM PID CHOCOLATE	CHOCOLAT DREAM BODY
I.4310	CREMA TEXTURADA DREAM PID AMARILLO	TEXTURED CREAM DREAM BODY
I.4313	CUERPO DREAM PID ROSA CHICLE	PINK GUM DREAM BODY
I.4314	CUERPO DREAM PID AMARILLO	YELLOW DREAM BODY
I.4315	CUERPO DREAM PID VIOLETA	VIOLET DREAM BODY
I.4316	CUERPO DREAM PID CREMA	CREAM DREAM BODY
I.4317	CUERPO DREAM PID PISTACHO	PISTACHIO DREAM BODY
I.4318	CUERPO DREAM PID NARANJA	ORANGE DREAM BODY
I.4322	TUERCA INTERRUPTOR DREAM PID WATER-STEAM	DREAM PID WATER-STEAM SWITCH NUT
I.4323	TUERCA INTERRUPTOR DREAM PID COFFEE	COFFEE DREAM PID SWITCH NUT
I.4338	TAPA DREAM ROJO TEXTURADO	TEXTURED RED DREAM LID
I.4340	CUERPO DREAM PID ROJO TEXTURADO	DREAM PID BODY TEXTURED RED
I.4420	CUERPO DREAM PID VERDE	GREEN DREAM BODY
I.4421	CUERPO DREAM PID ROSA	PINK DREAM BODY
I.4422	CUERPO DREAM PID NEGRO BRILLANTE	BRIGHT BLACK DREAM BODY
I.4419	CUERPO DREAM PID AZUL	BLUE DREAM BODY
PM..40	CONJUNTO PATA DREAM	DREAM FOOT WHOLE

Grupo Café Dream PID (+07/2017) ■ Dream PID Coffee Group (+07/2017)

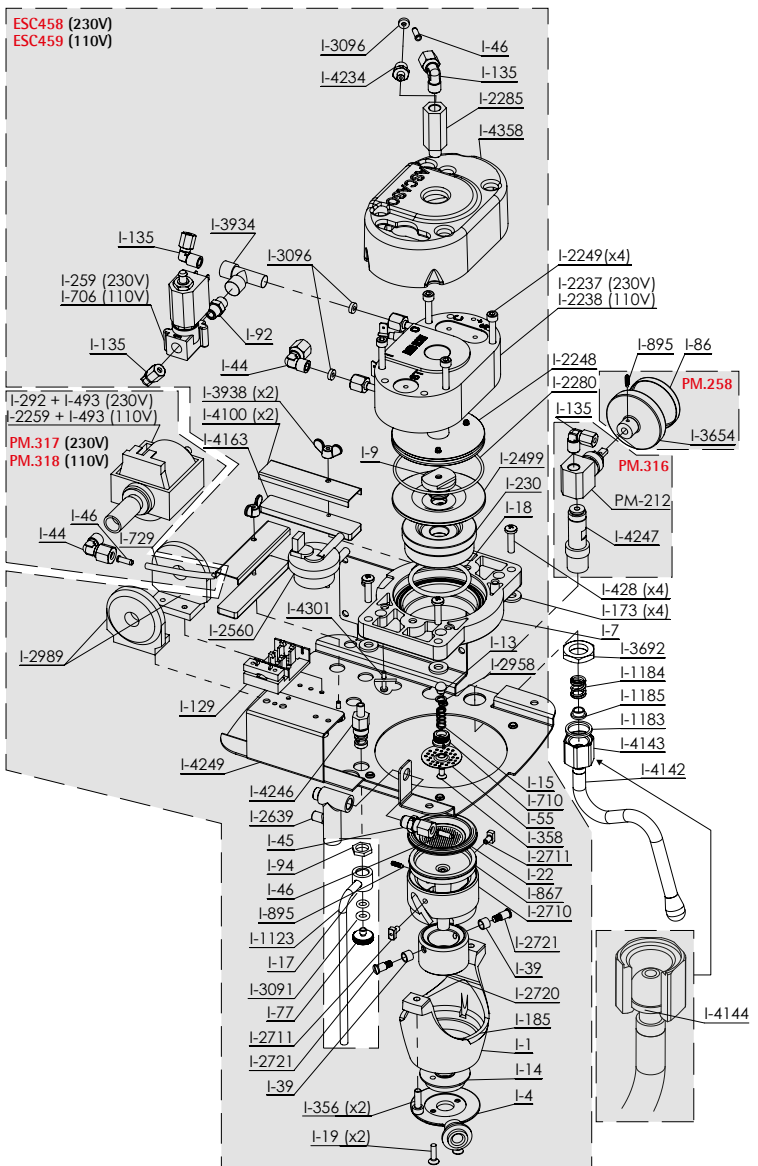


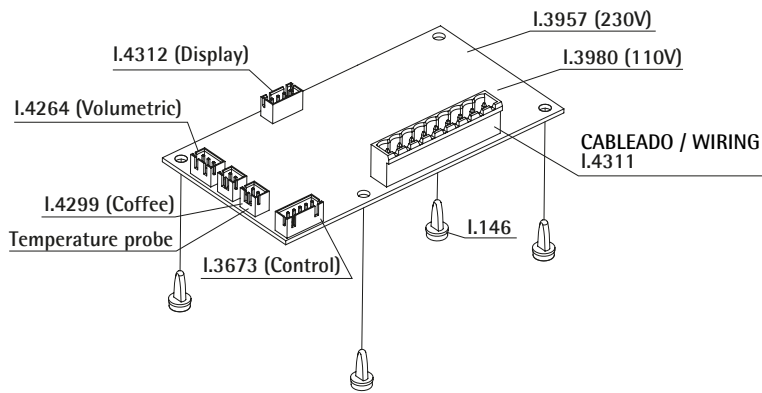
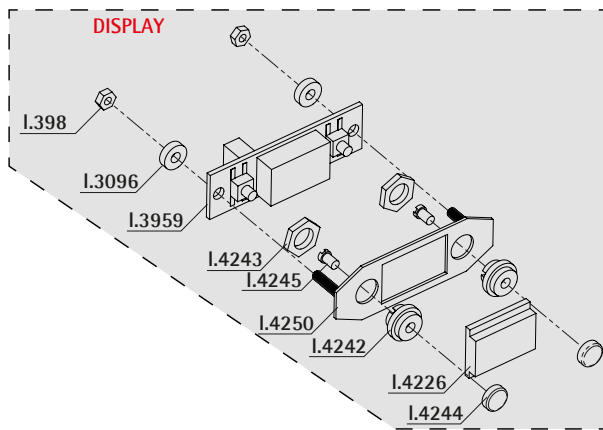
REF.	DESCRIPCIÓN	DESCRIPTION
ESC448	GRUPO INTERC. INOX DREAM PID MOLIDO (230V)	GROUP INOX DREAM PID (230V)
ESC452	GRUPO INTERC. INOX DREAM PID MOLIDO (110V)	GROUP INOX DREAM PID (110V)
F.228	DUCHA 60 MM	SHOWER 60 MM
I..17	JUNTA TORICA	SILICONE RING
I..44	RACOR CODO	RL BOX FITTING
I..45	RACOR RECTO	STRAIGHT FITTING
I..46	REFUERZO TUBO	PIPE REINFORCEMENT
I..77	FIJADOR TUBO VAPOR	PIPE STEAM SCREW
I..94	TUERCA APRIETE GRIFO	TUERCA APRIETE GRIFO
I.129	RETENEDOR CABLE	RETENEDOR CABLE
I.135	RACOR CODO 13280 4 1/8	FITTING
I.259	ELECTROV.3 VIAS PASO 1.2 230V 1/8-1/8 0-15BAR	3 WAY SOLENOID 230V 50Hz PUMP
I.292	BOMBA CP4SP PLUS 230/240V 50Hz	1/8 M-H ELBOW FITTING
I.488	RACOR CODO 1/8 M-H	PUMP PROTECTION THERMOSTAT
I.493	TERMOSTATO PROTECTOR BOMBA	120V 3 WAYS SOLENOID
I.706	ELECTROV.3 VIAS PASO 1.2 120V 1/8-1/8 0-15BAR	4x6 (100mm) TEFLON PIPE
I.729	TUBO TEFLON 4x6 (100mm)	FUNNEL FIXED SCREW
I.895	TORNILLO FIJACION EMBUDO INOX	2x4 (140mm) TEFLON PIPE
I.952	TUBO TEFLON 2X4 (140mm)	DRAIN PIPE
I.1123	TUBO DESCARGA	NUT M5
I.1130	TUERCA CON ARANDELA M5 INOX	WATER TAP WASHER
I.1183	ARANDELA GRIFO AGUA	STEAM-WATER OUTLET TAP SPRING
I.1184	MUELLE GRIFO SALIDA VAPOR-AGUA	SPRING GUIDE WATER TAP
I.1185	GUIA MUELLE GRIFO AGUA	FILTERHOLDER GASKET 8MM
I.1600	JUNTA PORTAFILTROS 8 mm	THERMOBLOCK INOX. 230V
I.2237	CJTO INTERCAMBIADOR INOX. 230V	THERMOBLOCK INOX. 110V
I.2238	CJTO INTERCAMBIADOR INOX. 110V	110V 50Hz PUMP
I.2259	BOMBA CP4SP PLUS 110/240V 50Hz	SCREW M5x50 DIN7991 A-2 SS
I.2279	TORNILLO M5x50 DIN7991 A-4 80 INOX	FITTING
I.2285	RACOR CONEXION GRIFO	DIGMESA FLOWMETER
I.2560	CONTADOR VOLUMETRICO FHKSC	BY-PASS ASCASO
I.2639	BY-PASS ASCASO	TEFLON PIPE 2X4 (240mm)
I.2852	TUBO TEFLON 2X4 (240mm)	PUMP SILENT BOMBA
I.2989	SILENT BLOCK BOMBA	O-RING D6x2.5 SILICONA
I.3091	JUNTA TORICA D6x2.5 SILICONA	HEAT EXCHANGER GASKET
I.3096	JUNTA INTERCAMBIADOR	BELL PROF. 2016
I.3510	CAMPANA PROF. 2016	SPRAY GROUP PROF. 2016
I.3511	ROCIADOR GRUPO PROF. 2016	BELL PROF. 2016 SUPPLEMENT
I.3512	POSTIZO CAMPANA PROF. 2016	STEAM TAP WOOD DREAM
I.3654	POMO VAPOR MADERA DREAM	RACORD NUT SOLENOID - WATER EXIT
I.3692	TUERCA RACOR EV - SALIDA AGUA	GROUP PROF 2016 SUPPORT SHEET
I.3811	CHAPA SOPORTE GRUPO PROF 2016	FITTING T 1/8 H-H-M
I.3934	RACOR T 1/8 H-H-M	WING NUT M3
I.3938	TUERCA CON ALAS M3	LED CAP BARISTA RAISED 2017
I.4100	TAPA LED BAR/BARISTA RAISED 201	UNO/DUO PROF PIPE PTFE
I.4142	TUBO VAPOR MD STEEL UNO/DUO PROF PTFE	TEFLON GASKET STEAM/WATER
I.4144	JUNTA TEFLON TUBO VAPOR/AGUA PTFE	LIGHTING DREAM/STEEL
I.4163	ILUMINACION DREAM/STEEL	THERMICAL CASE
I.4173	FUNDA TERMICA INTECAMBIADOR INOX.	RACOR CONNECTION THERM.
I.4234	RACOR CONEXION INTER.-MAN. M6-1/8	WATER EXTENSION DREAM PID
I.4246	RACOR CONEXION DESCARGA DREAM PID	TAP EXTENSION TO 3/8"
I.4247	PROLONGACION GRIFO A 3/8"	GROUP PLATE DREAM PID
I.4249	CHAPA GRUPO DREAM PID	NATURAL NYLON SCREW 6.6 SR1972
I.4301	TORNILLO SR 1972 NYLON 6.6 NATURAL	TAP ASSEMBLY 2014
PM.212	CONJUNTO CUERPO GRIFO 2014	SET STEAM TAP WOOD DREAM
PM.258	POMO VAPOR MADERA DREAM COMPLETO	WHOLE TAP DREAM PID
PM.316	CJTO GRIFO DREAM PID	220V PM DREAM PID PUMP WHOLE
PM.317	CJTO BOMBA DREAM PID 230V	110V PM DREAM PID PUMP WHOLE
PM.318	CJTO BOMBA DREAM PID 110V	

REF.	DESCRIPCIÓN	DESCRIPTION
ESC448	GRUPO INTERC. INOX DREAM PID MOLIDO (230V)	GROUP INOX DREAM PID (230V)
ESC452	GRUPO INTERC. INOX DREAM PID MOLIDO (110V)	GROUP INOX DREAM PID (110V)
F.228	DUCHA 60 MM	SHOWER 60 MM
I...17	JUNTA TORICA	SILICONE RING
I...44	RACOR CODO	RL BOIX FITTING
I...45	RACOR RECTO	STRAIGHT FITTING
I...46	REFUERZO TUBO	PIPE REINFORCEMENT
I...77	FIJADOR TUBO VAPOR	PIPE STEAM SCREW
I...86	EMBELLECDOR POMO INOX	INOX HANLE LID
I...92	RACOR 1/8	1/8 FITTING
I...94	TUERCA APRIETE GRIFO	TUERCA APRIETE GRIFO
I.129	RETENEDOR CABLE	RETENEDOR CABLE
I.135	RACOR CODO 13280 4 1/8	FITTING
I.259	ELECTROV.3 VIAS PASO 1.2 230V 1/8-1/8 0-15BAR	3 WAY SOLENOID
I.292	BOMBA CP4SP PLUS 230/240V 50Hz	230V 50Hz PUMP
I.493	TERMOSTATO PROTECTOR BOMBA	PUMP PROTECTION THERMOSTAT
I.706	ELECTROV.3 VIAS PASO 1.2 120V 1/8-1/8 0-15BAR	120V 3 WAYS SOLENOID
I.729	TUBO TEFLON 4x6 (100mm)	4x6 (100mm) TEFLON PIPE
I.895	TORNILLO FIJACION EMBUDO INOX	FUNNEL FIXED SCREW
I.1123	TUBO DESCARGA	DRAIN PIPE
I.1130	TUERCA CON ARANDELA M5 INOX	NUT M5
I.1183	ARANDELA GRIFO AGUA	WATER TAP WASHER
I.1184	MUELLE GRIFO SALIDA VAPOR-AGUA	STEAM-WATER OUTLET TAP SPRING
I.1185	GUIA MUELLE GRIFO AGUA	SPRING GUIDE WATER TAP
I.1600	JUNTA PORTAFILTROS 8 mm	FILTERHOLDER GASKET 8MM
I.2237	CJTO INTERCAMBIADOR INOX. 230V	THERMOBLOCK INOX. 230V
I.2238	CJTO INTERCAMBIADOR INOX. 110V	THERMOBLOCK INOX. 110V
I.2259	BOMBA CP4SP PLUS 110/240V 50Hz	110V 50Hz PUMP
I.2279	TORNILLO M5x50 DIN7991 A-4 80 INOX	SCREW M5x50 DIN7991 A-2 SS
I.2285	RACOR CONEXION GRIFO	FITTING
I.2560	CONTADOR VOLUMETRICO FHKSC	DIGMESA FLOWMETER
I.2639	BY-PASS ASCASO	BY-PASS ASCASO
I.2852	TUBO TEFLON 2X4 (240mm)	TEFLON PIPE 2X4 (240mm)
I.2989	SILENT BLOCK BOMBA	PUMP SILENT BLOCK
I.3091	JUNTA TORICA D6x2.5 SILICONA	HEAT EXCHANGER GASKET
I.3096	JUNTA INTERCAMBIADOR	HEAT EXCHANGER GASKET
I.3510	CAMPANA PROF. 2016	BELL PROF. 2016
I.3511	ROCIADOR GRUPO PROF. 2016	SPRAY GROUP PROF. 2016
I.3512	POSTIZO CAMPANA PROF. 2016	BELL PROF. 2016 SUPPLEMENT
I.3654	POMO VAPOR MADERA DREAM	STEAM TAP WOOD DREAM
I.3692	TUERCA RACOR EV - SALIDA AGUA	RACORD NUT SOLENOID - WATER EXIT
I.3811	CHAPA SOPORTE GRUPO PROF 2016	GROUP PROF 2016 SUPPORT SHEET
I.3934	RACOR T 1/8 H-H-M	FITTING T 1/8 H-H-M
I.3938	TUERCA CON ALAS M3	NUT
I.4100	TAPA LED BAR/BARISTA RAISED 201	LED CAP BARISTA RAISED 2017
I.4142	TUBO VAPOR MD STEEL UNO/DUO PROF PTFE	UNO/DUO PROF PIPE PTFE
I.4143	TUERCA TUBO VAPOR/AGUA PTFE	NUT STEAM/ WATER PTFE
I.4144	JUNTA TEFLON TUBO VAPOR/AGUA PTFE	TEFLON GASKET STEAM/WATER
I.4163	ILUMINACION DREAM/STEEL	LIGHTING DREAM/STEEL
I.4173	FUNDA TERMICA INTECAMBIADOR INOX.	THERMICAL CASE
I.4234	RACOR CONEXION INTER-MAN. M6-1/8	RACOR CONNECTION THERM.
I.4246	RACORD CONEXION DESCARGA DREAM PID	WATER EXIT EXTENSION DREAM PID
I.4247	PROLONGACION GRIFO A 3/8"	TAP EXTENSION TO 3/8"
I.4249	CHAPA GRUPO DREAM PID	GROUP PLATE DREAM PID
I.4301	TORNILLO SR 1972 NYLON 6.6 NATURAL	NATURAL NYLON SCREW 6.6 SR1972
PM.212	CONJUNTO CUERPO GRIFO 2014	TAP ASSEMBLY 2014
PM.258	POMO VAPOR MADERA DREAM COMPLETO	SET STEAM TAP WOOD DREAM
PM.316	CJTO GRIFO DREAM PID	WHOLE TAP DREAM PID
PM.317	CJTO BOMBA DREAM PID 230V	220V PM DREAM PID PUMP WHOLE
PM.318	CJTO BOMBA DREAM PID 110V	110V PM DREAM PID PUMP WHOLE



REF.	DESCRIPCIÓN	DESCRIPTION
ESC458	GRUPO INTERCAMBIADOR INOX DREAM PID PF 230V	GROUP DREAM PID THERM. INOX FH 230V
ESC459	GRUPO INTERCAMBIADOR INOX DREAM PID PF 110V	GROUP DREAM PID THERM. INOX FH 110V
I...1	BASE PORTA FIJO PULIDO	FIXED FILTERHOLDER BASE
I...4	SOPORTE MANGO	HANDLE SUPPORT
I...7	CAMARA DE COMPRESION	COMPRESSION CHAMBER
I...9	CUERPO VALVULA RETENCION	RETENTION VALVE BODY
I...13	VALVULA SILICONA	SILICONE VALVE
I...14	CASQUILLO RODADURA	CAP
I...15	MUELLE VALVULA RETENCION	SPRING
I...17	JUNTA TORICA	SILICONE RING
I...18	JUNTA CIALDA GRUPO	SILICONE RING
I...19	TORN.APRIETE SOPORTE.MANGO INOX	SCREW
I...22	PLASTIC FUNNEL PF	Nº1 POD FILTER
I...39	RODILLO LEVA INOX	LEVER ROLLER
I...44	RACOR CODO	RL BOIX FITTING
I...45	RACOR RECTO	STRAIGHT FITTING
I...46	REFUERZO TUBO	PIPE REINFORCEMENT
I...55	DUCHA	SHOWER
I...77	FIJADOR TUBO VAPOR	PIPE STEAM SCREW
I...86	EMBELLECDOR POMO INOX	INOX HANLE LID
I...92	RACOR 1/8	1/8 FITTING
I...94	TUERCA APRIETE GRIFO	TUERCA APRIETE GRIFO
I.129	RETENEDOR CABLE	RETENEDOR CABLE
I.135	RACOR CODO 13280 4 1/8	FITTING
I.173	JUNTA GRUPO	TEFLON GASKET
I.185	PROTECTOR PORTA FIJO	PROTECTOR
I.230	EMBOLO ALUMINIO	PISTON WITH SHOWER
I.259	ELECTROV. 3 VIAS PASO 1.2 230V 1/8-1/8 0-15BAR	3 WAY SOLENOID
I.292	BOMBA CP4SP PLUS 230/240V 50Hz	230V 50Hz PUMP
I.356	TORNILLO ALLEN M5x15 INOX	ALLEN SCREW
I.358	TORNILLO PORTADUCHA M4 INOX	M4 SCREW
I.428	TORNILLO M5x20 ZINCADO	SCREW M5x20 ZINCADO
I.493	TERMOSTATO PROTECTOR BOMBA	PUMP PROTECTION THERMOSTAT
I.706	ELECTROV. 3 VIAS PASO 1.2 120V 1/8-1/8 0-15BAR	120V 3 WAYS SOLENOID
I.710	TUERCA VALVULA RETENCION CON DUCHA	NUT
I.729	TUBO TEFLON 4x6 (100mm)	4x6 (100mm) TEFLON PIPE
I.867	EMBUDO PLASTICO PF	PLASTIC FUNNEL PF
I.895	TORNILLO FIJACION EMBUDO INOX	FUNNEL FIXED SCREW
I.1123	TUBO DESCARGA	DRAIN PIPE
I.1183	ARANDELA GRIFO AGUA	WATER TAP WASHER
I.1184	MUELLE GRIFO SALIDA VAPOR-AGUA	STEAM-WATER OUTLET TAP SPRING
I.1185	GUIA MUELLE GRIFO AGUA	SPRING GUIDE WATER TAP
I.2237	CJTO INTERCAMBIADOR INOX. 230V	THERMOBLOCK INOX. 230V
I.2238	CJTO INTERCAMBIADOR INOX. 110V	THERMOBLOCK INOX. 110V
I.2248	TAPA NUEVO INTERCAMBIADOR	LID
I.2249	TORNILLO ALLEN M5x50 DIN912 INOX	SCREW M5x50 DIN912 INOX
I.2259	BOMBA CP4SP PLUS 110/240V 50Hz	110V 50Hz PUMP
I.2280	JUNTA TORICA 68x2 SILICONA	O-RING 68x2 SILICONA
I.2285	RACOR CONEXION GRIFO	FITTING
I.2499	MEMBRANA KAP	SILICONE WASHER KAP
I.2560	CONTADOR VOLUMETRICO FHKSC	DIGMESA FLOWMETER
I.2639	BY-PASS ASCASO	BY-PASS ASCASO
I.2710	LEVA 2015	LEVER 2015
I.2711	TORNILLO GUÍA 2015	GUIDE SCREW 2015
I.2720	VASTAGO ALUMINIO 2015	ALUMINIUM SHAFT 2015
I.2721	PIVOTE LEVA INOX 2015	INOX LEVER PIVOT 2015
I.2958	ARANDELA APOYO	WASHER
I.2989	SILENT BLOCK BOMBA	PUMP SILENT BLOCK
I.3091	JUNTA INTERCAMBIADOR	HEAT EXCHANGER GASKET
I.3096	JUNTA INTERCAMBIADOR	HEAT EXCHANGER GASKET
I.3654	POMO VAPOR MADERA DREAM	STEAM TAP WOOD DREAM
I.3692	TUERCA RACOR EV - SALIDA AGUA	RACORD NUT SOLENOID - WATER EXIT
I.3811	CHAPA GRUPO DREAM PID	GROUP PLATE DREAM PID
I.3934	RACOR T 1/8 H-H-M	FITTING T 1/8 H-H-M
I.3938	TUERCA CON ALAS M3	NUT
I.4100	TAPA LED BAR/BARISTA RAISED 2017	LED CAP BARISTA RAISED 2017
I.4142	TUBO VAPOR MD STEEL UNO/DUO PROF PTFE	UNO/DUO PROF PIPE PTFE
I.4143	TUERCA TUBO VAPOR/AGUA PTFE	NUT STEAM/ WATER PTFE
I.4144	JUNTA TEFLON TUBO VAPOR/AGUA PTFE	TEFLON GASKET STEAM/WATER
I.4163	ILUMINACION DREAM/STEEL	LIGHTING DREAM/STEEL
I.4234	RACOR CONEXION INTER-MAN. M6-1/8	RACOR CONNECTION THERM.
I.4246	RACORD CONEXION DESCARGA DREAM PID	WATER EXIT EXTENSION DREAM PID
I.4247	PROLONGACION GRIFO A 3/8"	TAP EXTENSION TO 3/8"
I.4249	CHAPA GRUPO DREAM PID	GROUP PLATE DREAM PID
I.4301	TORNILLO SR 1972 NYLON 6.6 NATURAL	NATURAL NYLON SCREW 6.6 SR1972
I.4358	FUNDA TERMICA INTECAMBIADOR INOX. PF	THERMICAL CASE FH
PM.212	CONJUNTO CUERPO GRIFO 2014	TAP ASSEMBLY 2014
PM.258	POMO VAPOR MADERA DREAM COMPLETO	SET STEAM TAP WOOD DREAM
PM.316	CJTO GRIFO DREAM PID	WHOLE TAP DREAM PID
PM.317	CJTO BOMBA DREAM PID 230V	220V PM DREAM PID PUMP WHOLE
PM.318	CJTO BOMBA DREAM PID 110V	110V PM DREAM PID PUMP WHOLE

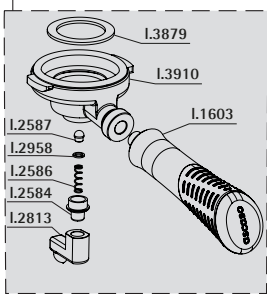




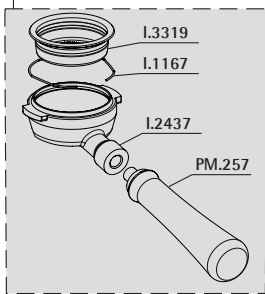
REF.	DESCRIPCIÓN	DESCRIPTION
I.146	SOPORTE PLACA ELECTRONICA	THERMOSTAT SUPPORT
I.398	TUERCA AUTOBLOCANTE M3 INOX	NUT
I.3096	JUNTA INTERCAMBIADOR	HEAT EXCHANGER GASKET
I.3673	CABLEADO BOTONERA DREAM PID	BOTTON WIRING
I.3957	CIRCUITO MULTIFUNCION+DISPLAY 230V	MULTIFUNCTION+DISPLAY PCB 230V
I.3959	DISPLAY DREAM/STEEL PID	DREAM DISPLAY MULTIFUN. CIRCUIT
I.3980	CIRCUITO MULTIFUNCION+DISPLAY 110V	MULTIFUNCTION+DISPLAY PCB 110V
I.4226	MIRILLA PANTALLA DREAM PID	SCREEN DREAM PID
I.4242	CASQUILLO TECLA DREAM PID	KEY BRACKET DREAM PID
I.4243	TUERCA M8X1	NUT M8X1
I.4244	TECLA DREAM PID	KEY DREAM PID
I.4245	TORNILLO TECLA DREAM PID	KEY BOLT DREAM PID
I.4250	CHAPA FIJACION DISPLAY DREAM PID	FASTENING PLATE DISPLAY DREAM PID
I.4264	CABLE VOLUMETRIC DREAM / STEEL PID	FLOWMETER WIRE DREAM / STEEL PID
I.4299	SONDA TEMPERATURA INOX PID (M4) 2017	TEMPERATURE PROBE. INOX PID (M4) 2017
I.4311	CABLEADO GRUPO DREAM PID 2017	GROUP WIRING DREAM PID 2017
I.4312	CABLEADO DISPLAY DREAM PID	DISPLAY WIRING DREAM PID

Porta filtros Dream PID (+07/2017) ■ Dream PID Filterholder (+07/2017)

PM.278 (Capsula / Capsule)

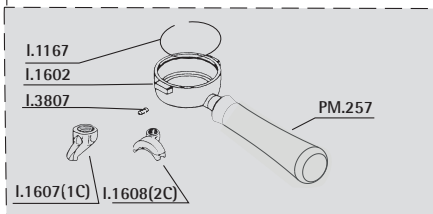


PM.320 (Sin fondo madera / Bottomless wood)



PM.260 (1C Wood)

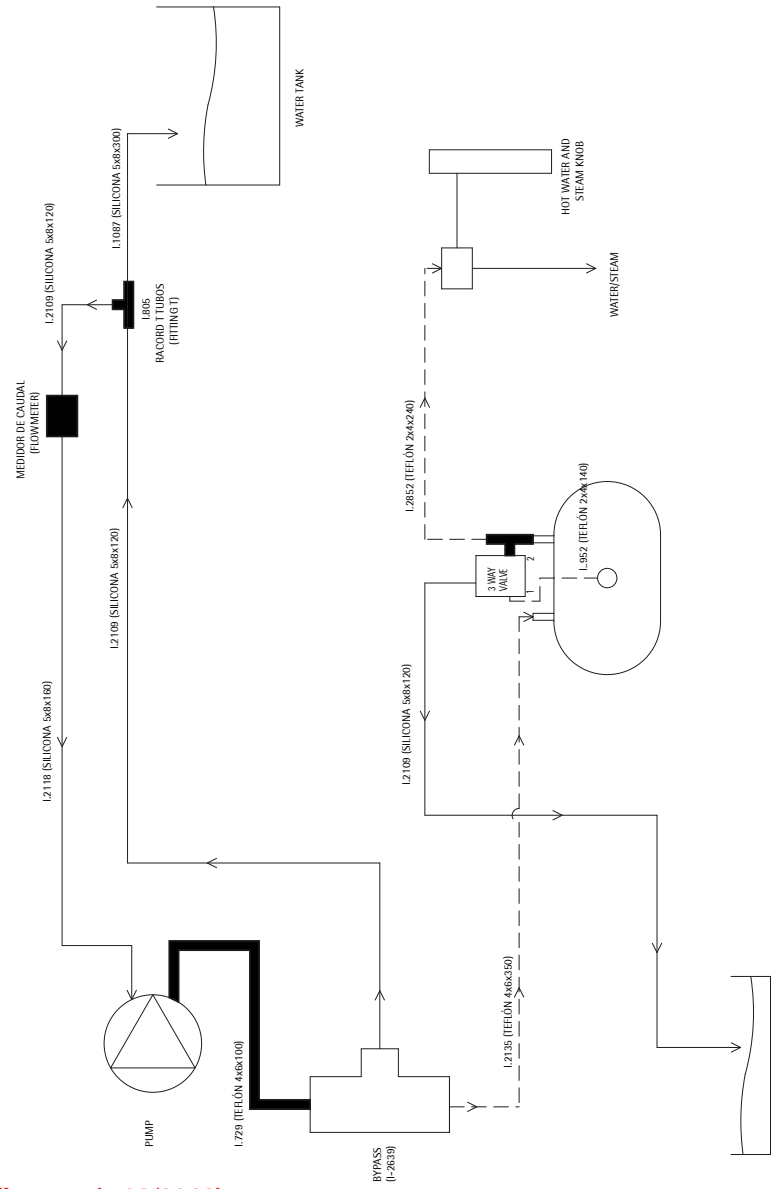
PM.309 (2C Wood)



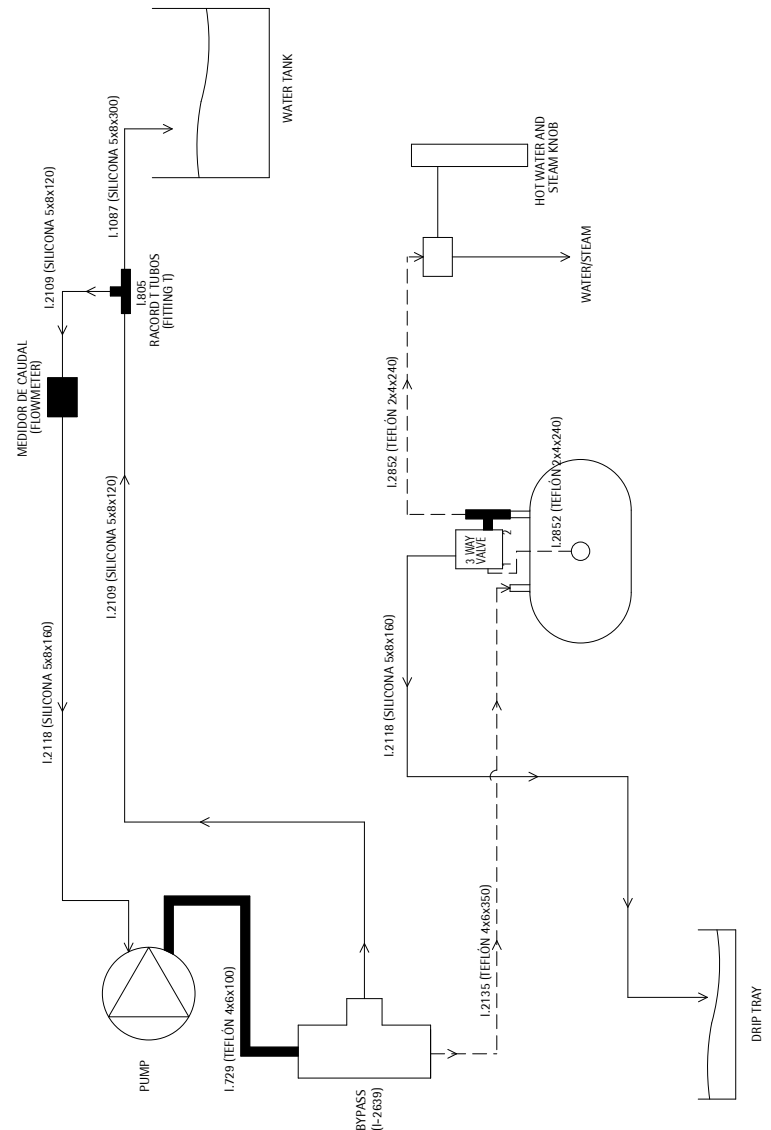
- I.534 (1C)
- I.535 (2C)
- I.1182 (Ciego / Blind)
- I.2669 (S. Crema 1C)
- I.2670 (S. Crema 2C)
- I.555 (POD)

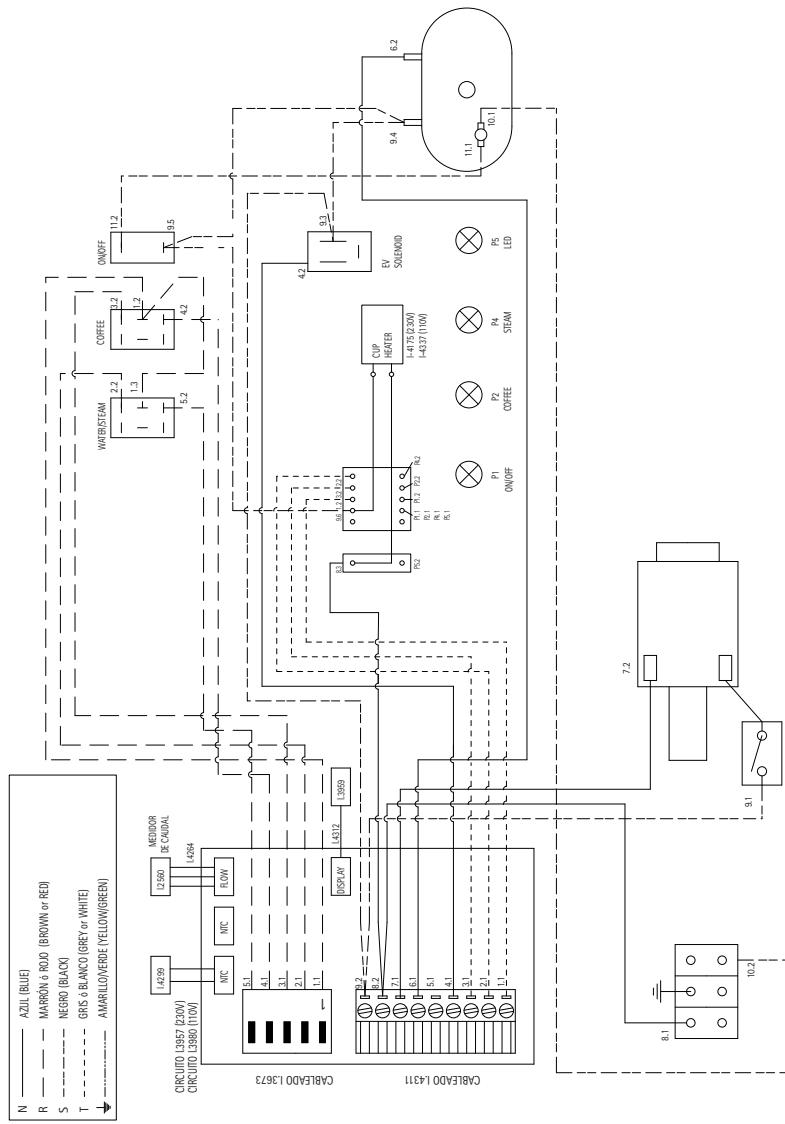
REF.	DESCRIPCIÓN	DESCRIPTION
I.534	FILTRO 1 CAFE PROFESIONAL	PROFESSIONAL 1 COFFEE FILTER
I.535	FILTRO 2 CAFES PROFESIONAL	PROFESSIONAL 2 COFFEE FILTER
I.555	CACILLO POD PROF.	POD PROF. FILTER
I.1167	ARO RETENCION FILTRO PROF.	PROF. SPRING FILTER
I.1182	CACILLO CIEGO PROF/BARISTA	PROF BLIND FILTER
I.1602	CUERPO PORTAFILTRO M12 INCLINADO	M12 FILTERHOLDER BODY
I.1607	SALIDA 1 CAFE ABIERTA	1 COFFEE SPOUT
I.1608	SALIDA 2 CAFES ABIERTA	2 WAYS COFFEE SPOUT
I.2437	PORTAFILTRO SIN FONDO BARISTA	BARISTA BOTTOMLESS FILTERHOLDER
I.2584	CIERRE S.CREMA KAP	EXTRA CREAM STOP KAP
I.2586	MUELLE S.CREMA BAR KAP	BAR KAP S.CREAM SPRING
I.2587	VALVULA S.CREMA KAP	KAP S.CREAM VALVE
I.2669	CACILLO 1C SC PROF	FILTER 1C SC PROF
I.2670	CACILLO 2C SC PROF	FILTER 2C SC PROF
I.2813	SALIDA CAFE KAP/BAR KAP	COFFE EXIT KAP/BAR KAP
I.2958	ARANDELA APOYO	WASHER
I.3203	MANGO PORTA MADERA BARISTA	HANDLE WOOD BARISTA
I.3319	CACILLO PORTAFILTRO SIN FONDO BARISTA	FILTER BARISTA BOTTOMLESS FILTERHOLDER
I.3807	ESPARRAGO ALLEN DIN 914 INOX M4x4	SOCKET SCREW DIN914 M4x4 INOX
I.3879	JUNTA PLANA PORTA CAPSULAS 36.5x50x2	SILICONE WASHER
I.3910	CUERPO PORTAFILTRO CAPS. FAP BARISTA-BAR-STEEL 016	FILTERHOLDER CAPS. FAP BARISTA-BAR-STEEL 016
PM.257	MANGO PORTA MADERA BARISTA COMPLETO	SET HANDLE WOOD BARISTA
PM.260	PORTAFILTRO MADERA 1 CAFE BARISTA COMPLETO	1 COFFEE BARISTA FILTERHOLDER WOOD
PM.278	PORTAFILTRO COMPLETO CAPSULA 2016	COMPLETE CAPSULE FILTERHOLDER 2016
PM.320	PORTAFILTRO BARISTA SIN FONDO MADERA	BOTTOMLESS FILTERHOLDER WOOD
PM.309	PORTAFILTRO PROF 2 CAFES MADERA	2 COFFEES PROF FILTERH. WHOLE WOOD

REF.	DESCRIPCIÓN	DESCRIPTION
I..729	TUBO TEFLON 4X6 (100MM)	TEFLON PIPE 4X6 (100MM)
I..805	RACOR T TUBOS	FITTING T
I..952	TUBO TEFLON 2X4 (140MM)	TEFLON PIPE 2X3 (140MM)
I.1087	TUBO SILICONA 5X8 (300MM)	SILICONE PIPE 5X8 (300MM)
I.2109	TUBO SILICONA 5X8 (120MM)	SILICONE PIPE 5X8 (120MM)
I.2118	TUBO SILICONA 5X8 (160MM)	SILICONE PIPE 5X8 (160MM)
I.2135	TUBO TEFLON 4X6 (350MM)	TEFLON PIPE 4X6 (350MM)
I.2639	BY-PASS ASCASO	BY-PASS ASCASO
I.2852	TUBO TEFLON 2X4 (240MM)	TEFLON PIPE 2X4 (240MM)

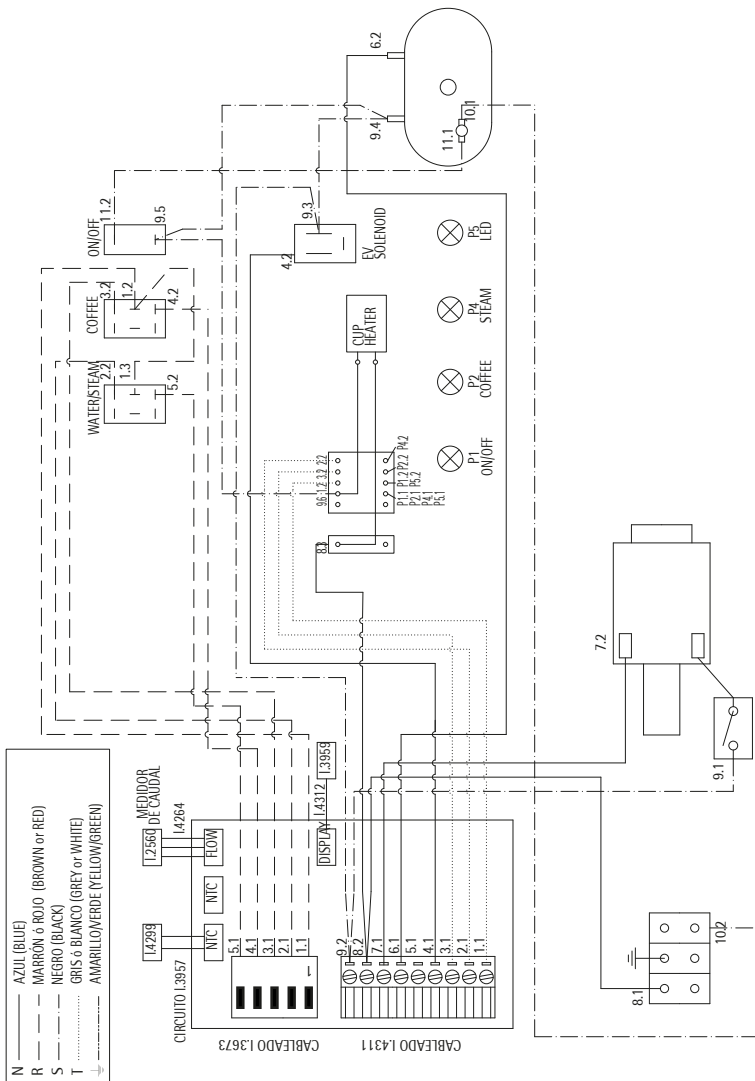


REF.	DESCRIPCIÓN	DESCRIPTION
I..729	TUBO TEFLON 4X6 (100MM)	TEFLON PIPE 4X6 (100MM)
I..805	RACOR T TUBOS	FITTING T
I..952	TUBO TEFLON 2X4 (140MM)	TEFLON PIPE 2X3 (140MM)
I.1087	TUBO SILICONA 5X8 (300MM)	SILICONE PIPE 5X8 (300MM)
I.2109	TUBO SILICONA 5X8 (120MM)	SILICONE PIPE 5X8 (120MM)
I.2118	TUBO SILICONA 5X8 (160MM)	SILICONE PIPE 5X8 (160MM)
I.2135	TUBO TEFLON 4X6 (350MM)	TEFLON PIPE 4X6 (350MM)
I.2639	BY-PASS ASCASO	BY-PASS ASCASO
I.2852	TUBO TEFLON 2X4 (240MM)	TEFLON PIPE 2X4 (240MM)





REF.	DESCRIPCIÓN	DESCRIPTION
I.2560	CONTADOR VOLUMETRICO FHKSC	DIGMESA FLOWMETER
I.3673	CABLEADO BOTONERA DREAM PID	BUTTON WIRING
I.3957	CIRCUITO MULTIFUNCION+DISPLAY 230V	MULTIFUNCTION+DISPLAY PCB
I.3959	DISPLAY DREAM/STEEL PID	DREAM DISPLAY MULTIFUNCTION CIRCUIT
I.3980	CIRCUITO MULTIFUNCION+DISPLAY 110V	MULTIFUNCTION+DISPLAY PCB
I.4175	CALIENTA TAZAS DREAM / STEEL PID 230V	CUPWARMER DREAM / STEEL PID 230V
I.4264	CABLE VOLUMETRICO DREAM / STEEL PID	FLOWMETER WIRE DREAM / STEEL PID
I.4299	SONDA TEMPERATURA INOX PID (M4) 2017	INOX PID TEMP. PROBE (M4) 2017
I.4311	CABLEADO GRUPO DREAM PID 2017	GROUP WIRING DREAM PID 2017
I.4312	CABLEADO DISPLAY DREAM PID	DISPLAY WIRING DREAM PID
I.4337	CALIENTA TAZAS DREAM / STEEL PID 110V	CUPWARMER DREAM / STEEL PID 110V



REF.	DESCRIPCIÓN	DESCRIPTION
I.2560	CONTADOR VOLUMETRICO FHKSC	DIGMESA FLOWMETER
I.3673	CABLEADO BOTONERA DREAM PID	BUTTON WIRING
I.3957	CIRCUITO MULTIFUNCION+DISPLAY 230V	MULTIFUNCTION+DISPLAY PCB
I.3959	DISPLAY DREAM/STEEL PID	DREAM DISPLAY MULTIFUNCTION CIRCUIT
I.3980	CIRCUITO MULTIFUNCION+DISPLAY 110V	MULTIFUNCTION+DISPLAY PCB
I.4175	CALIENTA TAZAS DREAM / STEEL PID 230V	CUPWARMER DREAM / STEEL PID 230V
I.4264	CABLE VOLUMETRICO DREAM / STEEL PID	FLOWMETER WIRE DREAM / STEEL PID
I.4299	SONDA TEMPERATURA INOX PID (M4) 2017	INOX PID TEMP. PROBE (M4) 2017
I.4311	CABLEADO GRUPO DREAM PID 2017	GROUP WIRING DREAM PID 2017
I.4312	CABLEADO DISPLAY DREAM PID	DISPLAY WIRING DREAM PID
I.4337	CALIENTA TAZAS DREAM / STEEL PID 110V	CUPWARMER DREAM / STEEL PID 110V