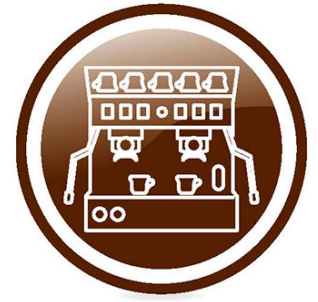




Spare parts for the professional sector: Espresso coffee machines



Suitable for:

PROMAC



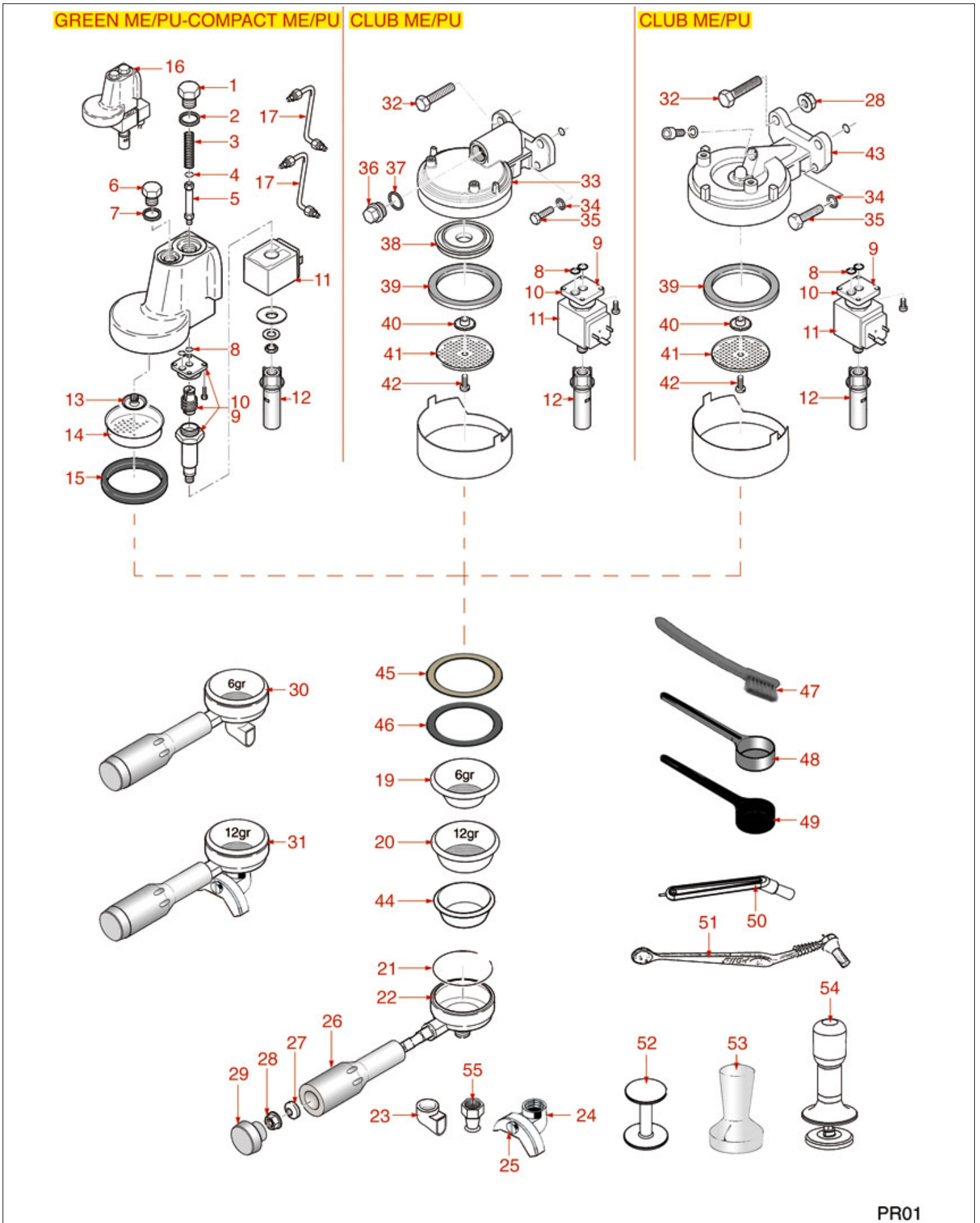
This catalogue is automatically generated.
Therefore, the sequence of the items might
not be always shown at best.
Updates will be issued in case of additions
and/or amendments.

Suitable universal spare parts may not be included





BREW GROUPS GREEN-COMPACT-CLUB





PROMAC

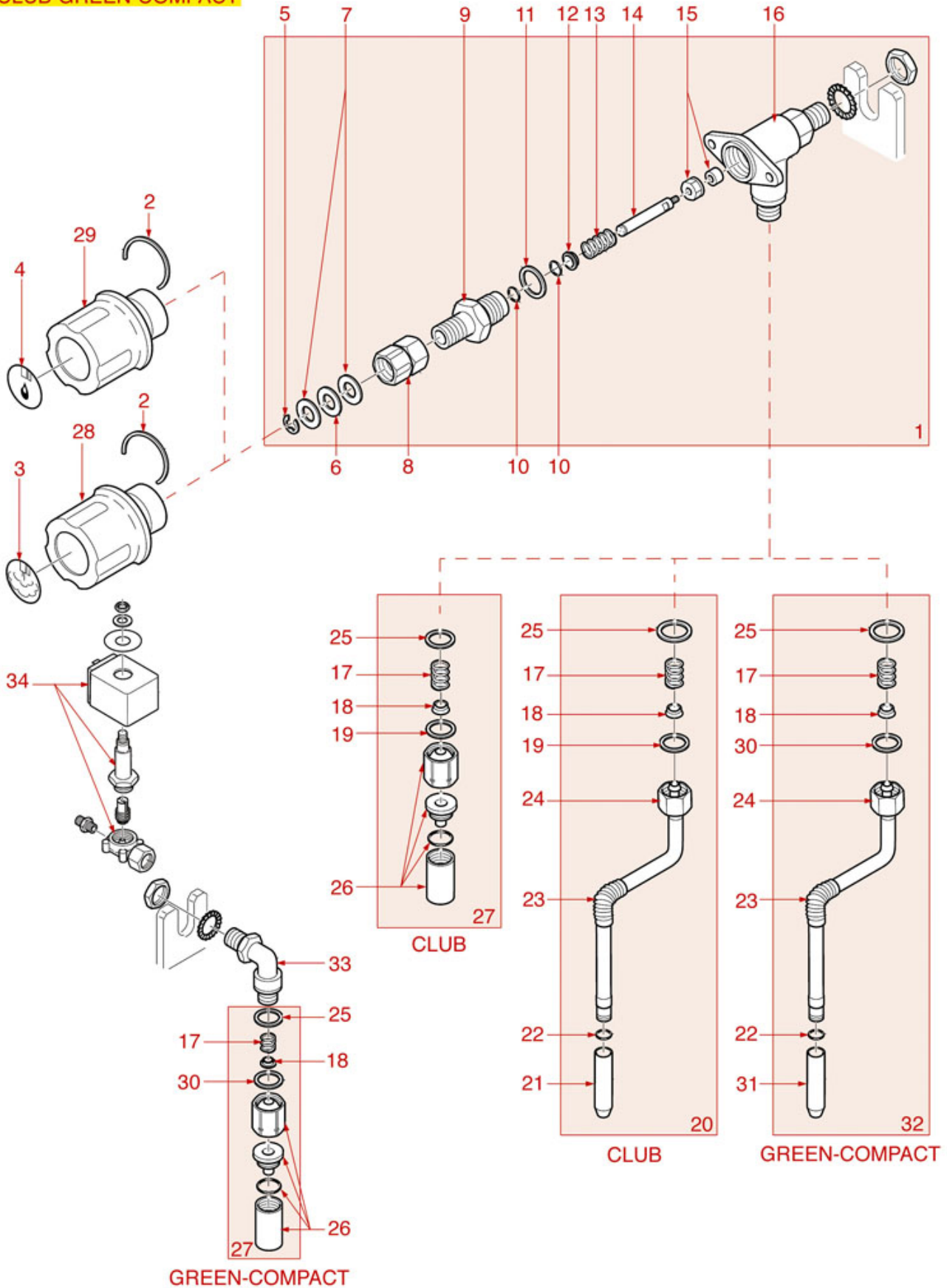


Position	LF code no.	Description
2	1186620	COPPER FLAT GASKET \varnothing 22x17x1.5 mm
3	1250225	SPRING \varnothing 7x27 mm WITH NOZZLE AND FILTER
4	1186421	O-RING 02018 EPDM
5	1324117	INJECTOR PIN
7	1186792	COPPER FLAT GASKET \varnothing 16x12x2 mm
8	1186612	O-RING 02025 VITON
9	1120101	3-WAY SOLENOID VALVE PARKER 115V 50/60Hz
9	1120102	3-WAY SOLENOID VALVE LUCIFER 115V 60Hz
9	1120330	3-WAY SOLENOID VALVE LUCIFER 240V 50Hz
9	1120335	3-WAY SOLENOID VALVE PARKER 230V 50/60Hz
10	1120334	3-WAY MECHANICAL COMPONENT LUCIFER
10	1120339	3-WAY MECHANICAL COMPONENT PARKER
11	1120332	COIL LUCIFER/PARKER 220/240V 9W 50Hz
11	3120032	COIL PARKER ZB09 9W 220/240V 50/60Hz
12	1349037	DRAIN PIPE
13	1501561	GROUP SPRAY NOZZLE \varnothing 30 mm M10x1
14	1081016	SHOWER SCREEN \varnothing 60 mm
14	1081116	SHOWER SCREEN \varnothing 60 mm
14	1081216	SHOWER SCREEN \varnothing 60 mm
14	1081516	SHOWER \varnothing 60 mm
15	1186795	FILTER HOLDER GASKET \varnothing 73.5x57.5x8 mm
15	1486031	GASKET FILTER HOLDER \varnothing 73.5x57.5x8 mm
19	1160251	1 CUP FILTER 6 g
20	1160252	FILTER 2-CUP 12 g
21	1250101	FILTER BLOCKING SPRING \varnothing 1,00 mm INOX
22	1165046	FILTER HOLDER RANCILIO
23	1022501	SINGLE SPOUT \varnothing 3/8"
24	1022502	DOUBLE SPOUT \varnothing 3/8"
25	1160559	CHROME PLATED SCREW FOR SPOUT
26	1241511	FILTER HOLDER HANDLE
27	1186504	WASHER FLAT M10
28	1241513	BLIND HEXAGONAL NUT M8 UNI 5721
29	1241051	FILTER HOLDER KNOB CAP
32	1528026	CYLINDER HEAD SCREW M8x20
36	1439028	CAP \varnothing 18 mm FOR BREW GROUP
37	1186677	FLAT COPPER GASKET \varnothing 22x18x1.8 mm
38	1086014	SHOWER HOLDER DIFFUSER
39	1186812	FILTER HOLDER GASKET \varnothing 72x57x8 mm
39	1486032	GASKET FILTER HOLDER \varnothing 74x57.5x8.5 mm
39	5048248	GASKET FOR FILTER HOLD. \varnothing 74x57.5x8.5 mm
40	1349803	BREW GROUP SPRAY NOZZLE \varnothing 21 mm
41	1081036	SHOWER \varnothing 57.5 mm
41	1081536	SHOWER SCREEN \varnothing 57.5 mm
42	1528012	CYLINDER HEAD SCREW M5x14
44	1160339	BLIND FILTER \varnothing 70x17 mm
45	1190001	PAPER SHIM \varnothing 73x59x0.8 mm
46	1190002	RUBBER SHIM \varnothing 73x59x1 mm EPDM
47	1384002	BRUSH FOR MAINTENANCE
48	1069002	STAINLESS STEEL MEASURING SPOON 20 ml
49	1069001	PLASTIC MEASURING SPOON 20 ml
50	1384001	BRUSH FOR COFFEE SHOWER
51	1384003	BLACK SHOWER CLEANING BRUSH
52	1385002	NYLON COFFEE TAMPER \varnothing 50/57 mm
53	1385053	ANODIZED ALUMINIUM TAMPER \varnothing 58 mm
54	1385600	DYNAMOMETRIC MANUAL COFFEE TAMPER \varnothing 57mm
54	1385602	TAMPER MANUAL DYNAMOMETRICAL \varnothing 57 mm
55	1022503	STRAIGHT SINGLE SPOUT \varnothing 3/8"



WATER STEAM TAPS

CLUB-GREEN-COMPACT





PROMAC

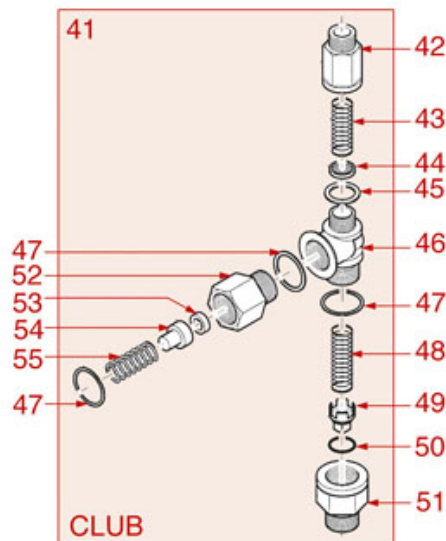
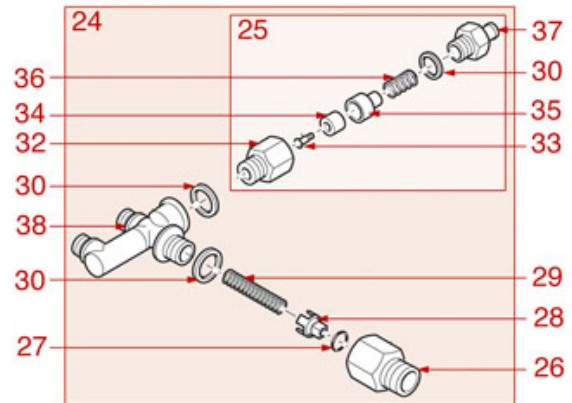
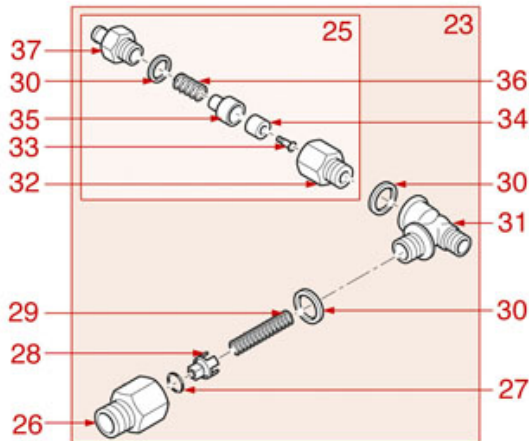
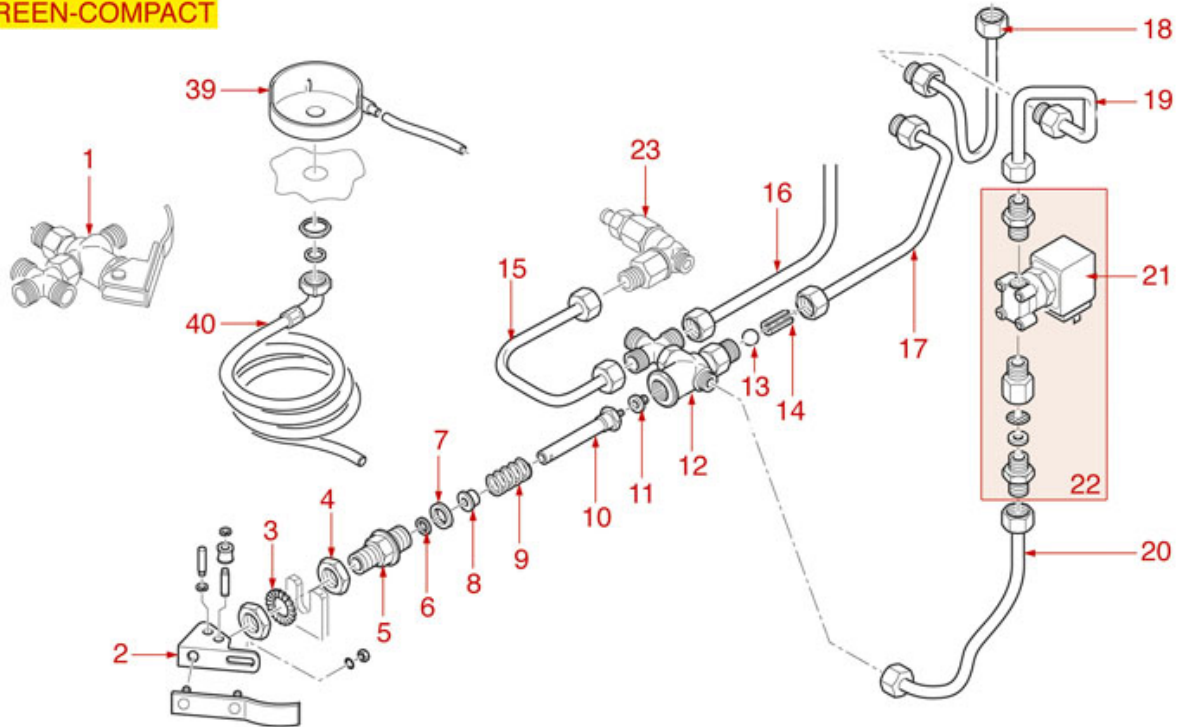


Position	LF code no.	Description
1	1348855	STEAM/WATER TAP
2	1250820	STEAM HANDLE SPRING
5	1348326	SPRING RING RADIAL \varnothing 7 mm
6	1186443	PTFE FLAT GASKET \varnothing 18x9x0.5 mm
7	1528020	WASHER FLAT LARGE M8
8	1348045	TAP BUSHING
9	1348046	TAP PIN
10	1186803	O-RING 02037 EPDM
11	1186810	FLAT COPPER GASKET \varnothing 24x21x1 mm
12	1250027	SPRING GUIDE
13	1250026	SPRING \varnothing 12x31 mm
14	1324078	TAP ROD
15	1528019	NUT WITH GASKET
17	1250224	SPRING \varnothing 12x12 mm
18	1186793	CONICAL PTFE SEAL \varnothing 12x6.5 mm
19	1186794	PTFE FLAT GASKET \varnothing 14.6x12x3 mm
20	1449051	STEAM PIPE COMPLETE CHROME-PLATED \varnothing 10 m
25	1186201	GASKET FLAT PTFE \varnothing 21x16.8x2 mm
26	1449053	COMPLETE WATER PIPE
27	1449864	COMPLETE WATER PIPE
28	1241109	STEAM TAP KNOB
29	1241110	WATER TAP KNOB
30	1186805	O-RING 0115 EPDM
34	1120460	2-WAY SOLENOID VALVE LUCIFER 240V 50Hz
34	1120466	2-WAY SOLENOID VALVE LUCIFER 115V 60Hz



INLET TAP AND RETENTION VALVES

GREEN-COMPACT



CLUB



PROMAC

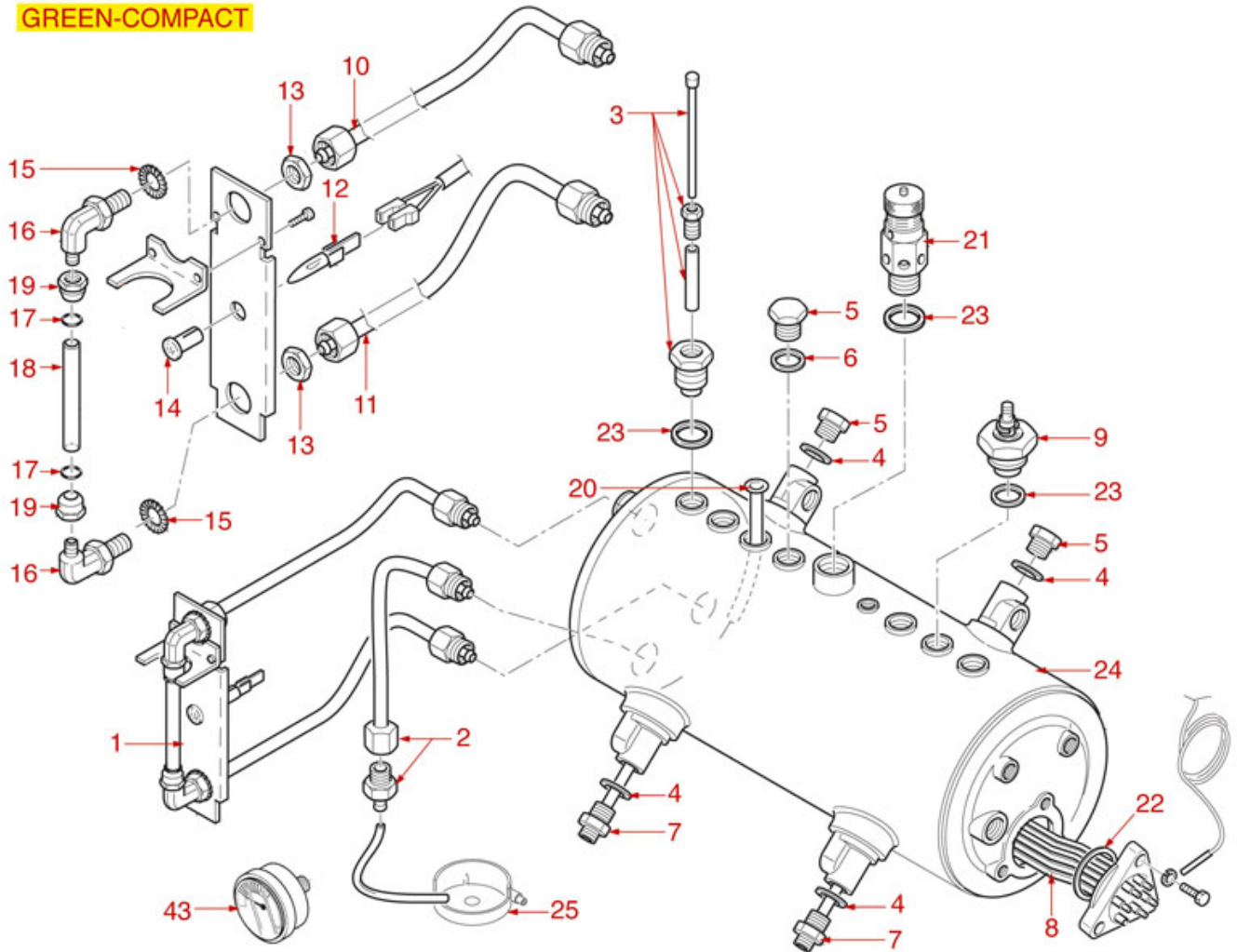


Position	LF code no.	Description
1	1348807	WATER INLET TAP
5	1349038	TAP PIN
6	1348826	LIP SEAL \varnothing 15x9x4.5 mm
7	1186810	FLAT COPPER GASKET \varnothing 24x21x1 mm
12	1348810	INLET TAP BODY
13	1348812	SPHERE MADE OF STAINLESS STEEL \varnothing 9.52 mm
14	1348811	SPACER INLET TAP
21	1120460	2-WAY SOLENOID VALVE LUCIFER 240V 50Hz
21	1120466	2-WAY SOLENOID VALVE LUCIFER 115V 60Hz
25	1523009	EXPANSION VALVE \varnothing 3/8"M-1/4"M
30	1186620	COPPER FLAT GASKET \varnothing 22x17x1.5 mm
36	1250030	SPRING \varnothing 11x20 mm
39	1527812	DRAIN TUB NSF
40	1449876	DRAIN PIPE \varnothing 3/4"F 1500 mm
43	1250028	SPRING \varnothing 10x26 mm
47	1186620	COPPER FLAT GASKET \varnothing 22x17x1.5 mm
50	1186411	O-RING 02031 EPDM
53	1186454	FLAT EPDM GASKET \varnothing 11x3.6x2 mm
55	1250030	SPRING \varnothing 11x20 mm

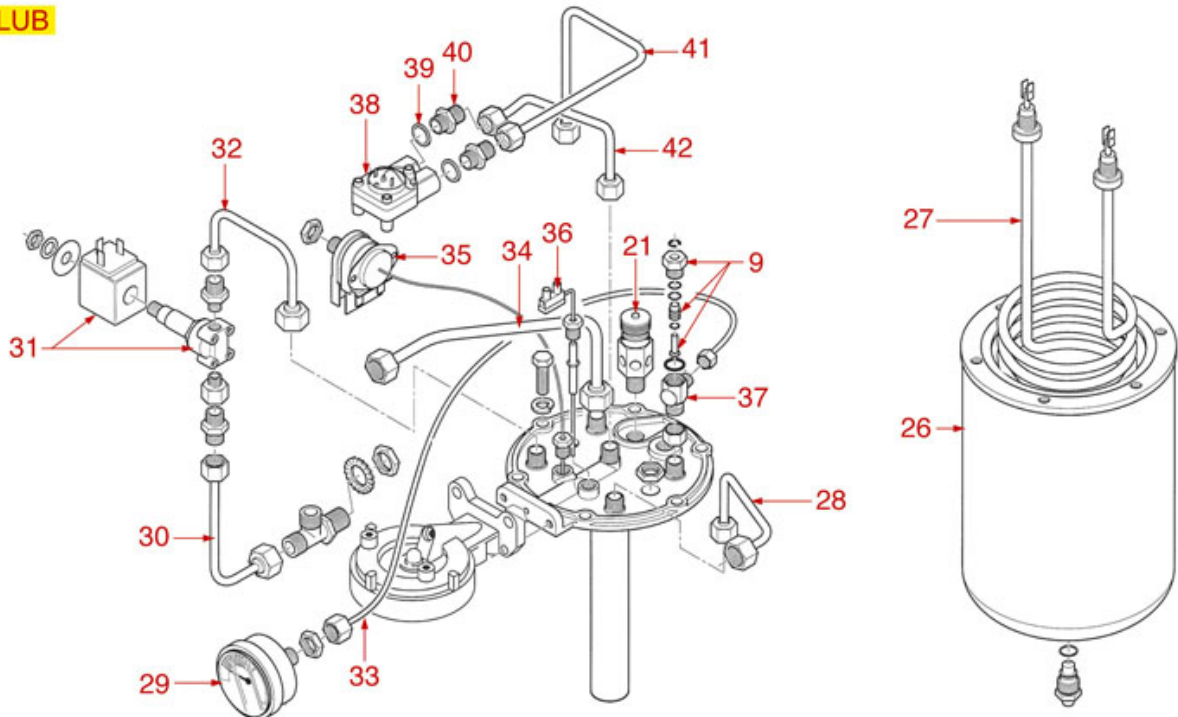


BOILER AND LEVEL GREEN-COMPACT-CLUB

GREEN-COMPACT



CLUB





PROMAC

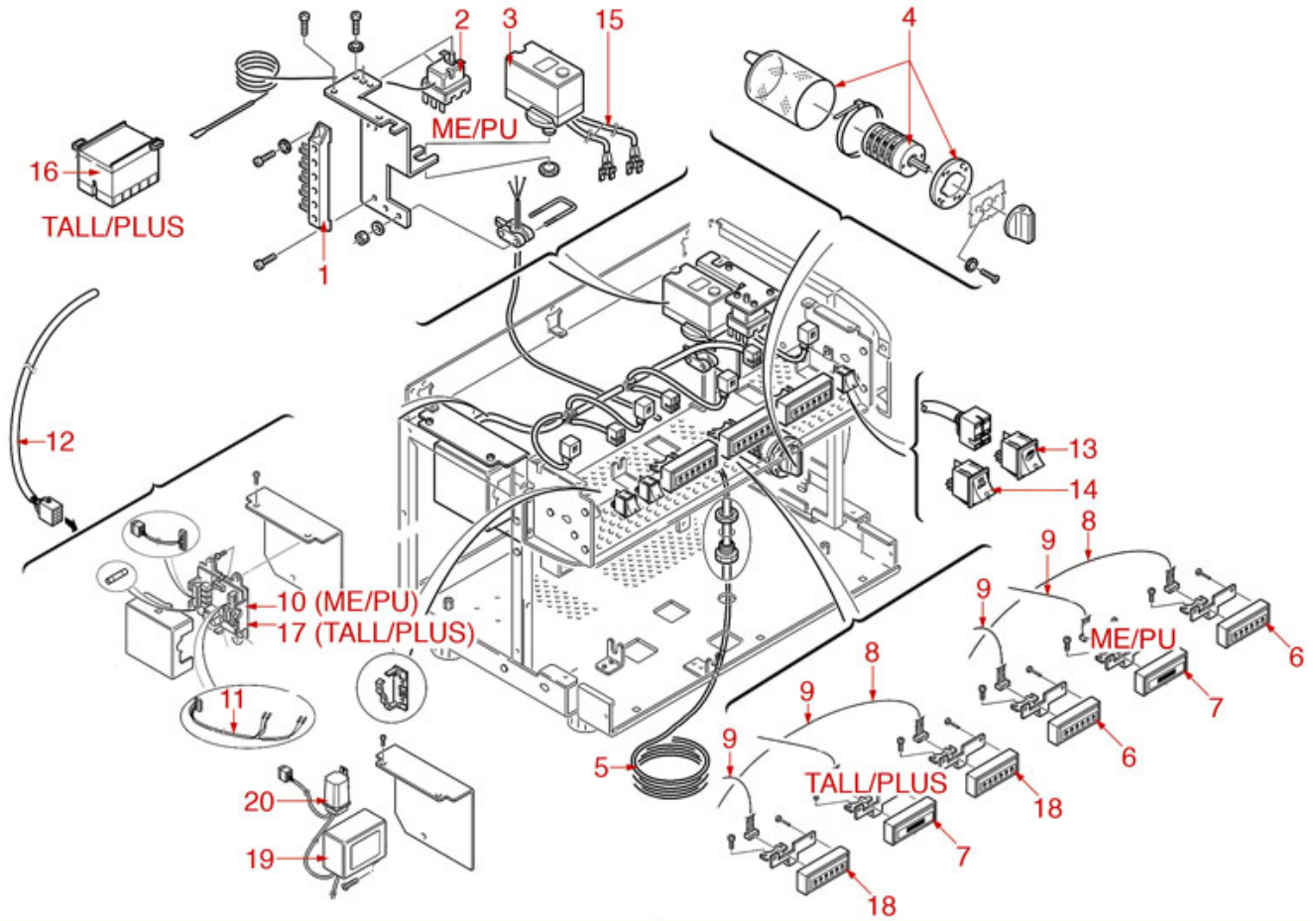


Position	LF code no.	Description
1	1201010	LEVEL GLASS ASSEMBLY
3	1341802	LEVEL PROBE \varnothing 1/8"M-115 mm
4	1186620	COPPER FLAT GASKET \varnothing 22x17x1.5 mm
6	1186620	COPPER FLAT GASKET \varnothing 22x17x1.5 mm
7	1449055	INJECTION PIPE \varnothing 1/4"M
8	1755048	HEATING ELEMENT 4300W 230/400V
8	1755049	HEATING ELEMENT 6000W 230V
8	1755182	HEATING ELEMENT 3000W 220/380V
9	1523051	BOILER VALVE \varnothing 3/8"M
9	1523651	BOILER VALVE \varnothing 3/8"M
12	3221097	NEUTRAL INDICATOR LAMP 220V
13	1449804	NUT \varnothing 3/8"F H4 SPANNER 19
14	3221163	ORANGE LAMP RECEPTACLE
17	1186803	O-RING 02037 EPDM
18	1449877	PTFE LEVEL GLASS \varnothing 10x107 mm
21	1523029	BOILER VALVE \varnothing 3/8"M - 1.6 bar CE/PED
22	1186455	PTFE FLAT GASKET \varnothing 65x46x1,5 mm
23	1186201	GASKET FLAT PTFE \varnothing 21x16.8x2 mm
25	1527812	DRAIN TUB NSF
27	1755801	HEATING ELEMENT 1700W 230V
29	1245100	BOILER PRESSURE GAUGE \varnothing 41 mm 0+2.5 bar
35	3444230	TWO-POLE THERMOSTAT 165°C
36	1341802	LEVEL PROBE \varnothing 1/8"M-115 mm
38	1455026	VOLUMETRIC FLOW METER GICAR
39	1186619	COPPER FLAT GASKET \varnothing 18x14x1.5 mm
40	1349102	FITTING \varnothing 1/4"M-1/4"M
43	1245013	BOILER-PUMP PRESSURE GAUGE \varnothing 63 mm

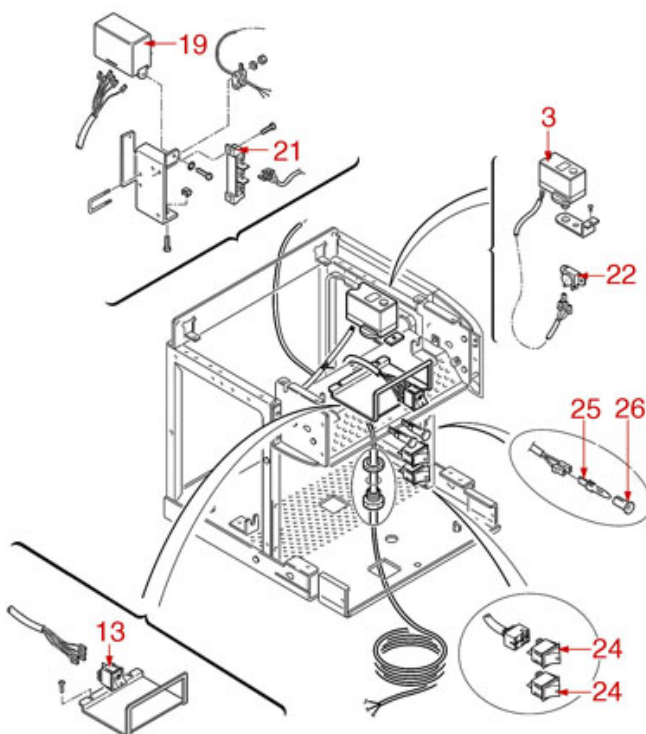


ELECTRICAL SYSTEM GREEN-COMPACT-CLUB

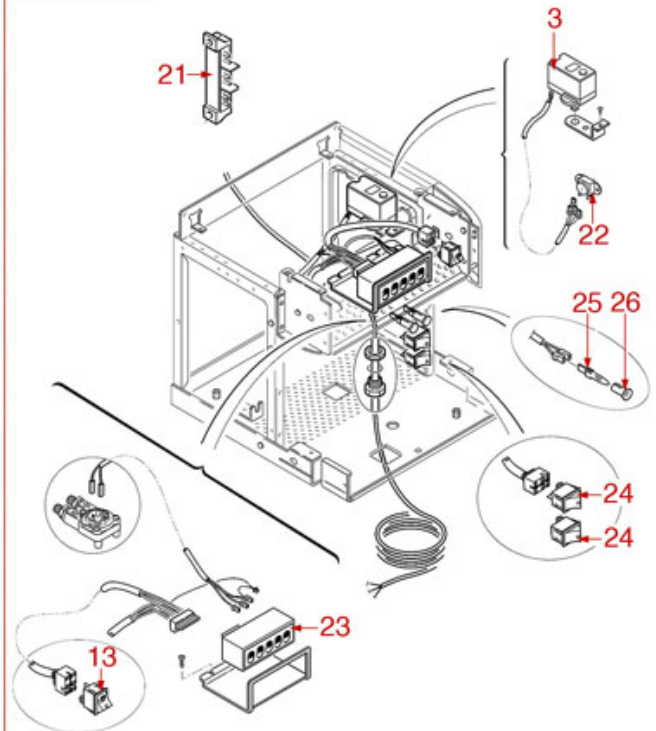
GREEN ME/PU/TALL/PLUS-COMPACT ME/PU



CLUB PU/PU S



CLUB ME





PROMAC



Position	LF code no.	Description
1	3247009	6-POLE TERMINAL BLOCK FV122/B 40A 600V
2	1444004	THREE-PHASE THERMOSTAT 187°C
2	1444509	THREE-PHASE THERMOSTAT 169°C
3	1320541	PRESSURE SWITCH PARKER
6	1319263	PUSH-BUTTON PANEL 6 BUTTONS
10	5039219	DOSING CONTROL BOX 1-2-3 GROUPS 230V
13	1319262	BLUE BIPOLAR SWITCH 16A 250V
14	1319805	BLUE BIPOLAR SWITCH 16A 250V
17	5049432	DOSING CONTROL BOX 2-3 GROUPS 230V
21	3247016	3-POLE TERMINAL BLOCK FV273 40A 450V
22	1444005	BIPOLAR THERMOSTAT 165°
22	3444230	TWO-POLE THERMOSTAT 165°C
25	3221097	NEUTRAL INDICATOR LAMP 220V
26	3221163	ORANGE LAMP RECEPTACLE



Suitable for:

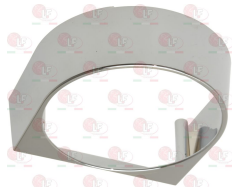
PROMAC



Suitable for:

Bodies

5057855 RING GROUP COVER



PROMAC 38123549

Boiler safety valves

1523051 BOILER VALVE \varnothing 3/8" M



PROMAC

1523651 BOILER VALVE \varnothing 3/8" M



PROMAC 10060050

PROMAC 10060059

PROMAC 10060061

1523029 BOILER VALVE \varnothing 3/8" M - 1.6 bar CE/PED
calibration pressure 1.6 bar
steam outlet flowrate 77 Kg/h
viton seal
operating temperature -20/+200°C
CE/PED certified valve
for Coffee machine (PROMAC) CLUB - COMPACT - GREEN



PROMAC 10060514

PROMAC 10060527

Boilers

5055573 BOILER WITH HEATING ELEMENT 110V 1100W



PROMAC 10705636

PROMAC 20102943

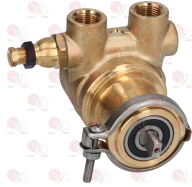
PROMAC 20102945



Booster pumps

1330002 ROTARY VANE PUMP ROTOFLOW \varnothing 3/8" NPT

clamp connection
flowrate 200 L/h
equipped with balanced bypass
NSF - WRAS approved
PA204



PROMAC 69000285

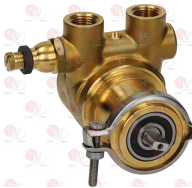
1168011 STAINLESS STEEL CLAMP FOR FLANGE PUMP



PROMAC

1330101 ROTARY VANE PUMP ROTOFLOW \varnothing 3/8" NPT

flange connection
flowrate 100 L/h
with balanced by-pass
fitting \varnothing 3/8" conical NPT
N.S.F. approved
PUMP VERSION ECO-BRASS
BRASS CW510L LEAD \leq 0.2%



PROMAC

1168011 STAINLESS STEEL CLAMP FOR FLANGE PUMP



PROMAC

1330102 ROTARY VANE PUMP ROTOFLOW \varnothing 3/8" NPT

flange connection
flowrate 200 L/h
with balanced by-pass
fitting \varnothing 3/8" conical NPT
N.S.F. approved
PUMP VERSION ECO-BRASS
BRASS CW510L LEAD \leq 0.2%



PROMAC

1168011 STAINLESS STEEL CLAMP FOR FLANGE PUMP



PROMAC

Brushes

1384023 BRUSH FOR CLEANING 50 mm



PROMAC

1384001 BRUSH FOR COFFEE SHOWER



PROMAC 38120068



Suitable for:

PROMAC



1384002 BRUSH FOR MAINTENANCE



PROMAC

Suitable for:

1384014 BRUSH FOR SHOWER RED



PROMAC

Capacitors, electrical

3068014 CAPACITOR DUCATI ENERGIA 8µF
450V 50/60Hz
operating temperature -25 + 85°C
lead connection 6.35x0.8 mm
ø 32xh55 mm



PROMAC 34020020

3068079 CAPACITOR ELECTRICAL 8µF
450V 50/60Hz - ø 30xh71 mm



PROMAC 34020020

Caps

1439028 CAP ø 18 mm FOR BREW GROUP
for Coffee machine (PROMAC) CLUB - COMPACT - GREEN



PROMAC 20122652

PROMAC 20122653

Circlips

1348326 SPRING RING RADIAL ø 7 mm
in zinc plated iron alloy
external ø 14.3 mm - thickness 0.9 mm
UNI 7434 - DIN 6799



PROMAC 37510700

Clamps

1168011 STAINLESS STEEL CLAMP FOR FLANGE PUMP



PROMAC



Coffee filters

1160339 BLIND FILTER ø 70x17 mm
for Coffee machine (PROMAC) CLUB - COMPACT - GREEN
P161



PROMAC 40100105

1160252 FILTER 2-CUP 12 g
for Coffee machine (PROMAC) CLUB - COMPACT - GREEN
P161



PROMAC

1160529 FILTER 2-CUP 14 g
for Coffee machine (PROMAC) CLUB - COMPACT - GREEN
P161



PROMAC 40100010

PROMAC 40100102

5071383 FILTRO CAPSULE EP-FAP SUPER EMULSIONE
adattatore per capsule singola dose
completo di valvola interna a pressione
per rendere cremoso il prodotto in tazza
da abbinare al portafiltra senza fondo specifico
per la marca della macchina
adattabile per macchine ASTORIA/CMA-BEZZERA
BRASILIA-CIMBALI-MAGISTER-MARZOCCO-NUOVA
SIMONELLI
PROMAC-RANCILIO-VICTORIA ARDUINO



PROMAC

1160293 MEMBRANE BLIND FILTER



PROMAC 38123057

1460100 PRECISION FILTER 1 CUP 6/8 g H24.5
round holes with conical section
Aisi 304 stainless steel - food-safe certified
matching tamper ø 58 mm
for COFFEE MACHINES ASTORIA-CASADIO-CONTI-ELEKTRA
FRACINO-KEESVANDERWESTEN-MAGISTER-MARZOCCO
N.SIMONELLI-PAVONI-PROMAC-RANCILIO-SLAYER-SYNESSO
VICTORIA ARDUINO
for GROUPS E61 ASCASO-BEZZERA-BFC-BIANCHI
BRASILIA-DID-ECM-EXPOBAR-FAEMA-FIORENTINO-GRIMAC
IBERITAL-LANUOVAERA-LASCALA-ORCHESTRALE
QUALITYESPRESSO-ROCKET-ROYAL-SABITALIA-SANREMO-VFA
VIBIEMME-WEGA



PROMAC



Suitable for:

PROMAC



1460101 PRECISION FILTER 1 CUP 7/9 g H26.5

round holes with conical section
Aisi 304 stainless steel - food safe certified
matching tamper ø 58 mm
for GROUP E61 ASCASO-BEZZERA-BFC-BIANCHI
BRASILIA-DID-ECM-EXPOBAR-FAEMA-FIORENZATO-GRIMAC
IBERITAL-LANUOVAERA-LASCALA-L'ORCHESTRALE
QUALITYESPRESSO-ROCKET-ROYAL-SABITALIA-SANREMO-VFA
VIBIEMME-WEGA
for Coffee machine (PROMAC)



PROMAC

1460102 PRECISION FILTER 2 CUPS 12/18 g H24.5

round holes with conical section
Aisi 304 stainless steel - food safe certified
matching tamper ø 58 mm
for GROUP E61 ASCASO-BEZZERA-BFC-BIANCHI
BRASILIA-DID-ECM-EXPOBAR-FAEMA-FIORENZATO-GRIMAC
IBERITAL-LANUOVAERA-LASCALA-L'ORCHESTRALE
QUALITYESPRESSO-ROCKET-ROYAL-SABITALIA-SANREMO-VFA
VIBIEMME-WEGA
for Coffee machine (PROMAC)



PROMAC

1460103 PRECISION FILTER 2 CUPS 14/20 g H26.5

round holes with conical section
Aisi 304 stainless steel - food safe certified
matching tamper ø 58 mm
for GROUP E61 ASCASO-BEZZERA-BFC-BIANCHI
BRASILIA-DID-ECM-EXPOBAR-FAEMA-FIORENZATO-GRIMAC
IBERITAL-LANUOVAERA-LASCALA-L'ORCHESTRALE
QUALITYESPRESSO-ROCKET-ROYAL-SABITALIA-SANREMO-VFA
VIBIEMME-WEGA
for Coffee machine (PROMAC)



PROMAC

1460104 PRECISION FILTER 2 CUPS 18/22 g H28,5

round holes with conical section
Aisi 304 stainless steel - food safe certified
matching tamper ø 58 mm
for GROUP E61 ASCASO-BEZZERA-BFC-BIANCHI
BRASILIA-DID-ECM-EXPOBAR-FAEMA-FIORENZATO-GRIMAC
IBERITAL-LANUOVAERA-LASCALA-L'ORCHESTRALE
QUALITYESPRESSO-ROCKET-ROYAL-SABITALIA-SANREMO-VFA
VIBIEMME-WEGA
for Coffee machine (PROMAC)



PROMAC

1460400 PRECISION FILTER 2T 12/18 g H24

ultrafine model
circular holes with conical section
Aisi 304 steel - food-safe certified
ø 58 mm suitable tamper
for COFFEE MACHINES: ASTORIA-CASADIO-CONTI-ELEKTRA
FRACINO-KEESVANDERWESTEN-MAGISTER-MARZOCCO
N.SIMONELLI-PAVONI-PROMAC-RANCILIO-SLAYER-SYNESSO
VICTORIA ARDUINO
for GROUPS: E61 ASCASO-BEZZERA-BFC-BIANCHI
BRASILIA-DID-ECM-EXPOBAR-FAEMA-FIORENZATO-GRIMAC
IBERITAL-LANUOVAERA-LASCALA-ORCHESTRALE
QUALITYESPRESSO-ROCKET-ROYAL-SABITALIA-SANREMO-VFA
VIBIEMME-WEGA



PROMAC

1460401 PRECISION FILTER 2T 14/20 g H26

ultrafine model
circular holes with conical section
Aisi 304 steel - food-safe certified
ø 58 mm suitable tamper
for COFFEE MACHINES: ASTORIA-CASADIO-CONTI-ELEKTRA
FRACINO-KEESVANDERWESTEN-MAGISTER-MARZOCCO
N.SIMONELLI-PAVONI-PROMAC-RANCILIO-SLAYER-SYNESSO
VICTORIA ARDUINO
for GROUPS: E61 ASCASO-BEZZERA-BFC-BIANCHI
BRASILIA-DID-ECM-EXPOBAR-FAEMA-FIORENZATO-GRIMAC
IBERITAL-LANUOVAERA-LASCALA-ORCHESTRALE
QUALITYESPRESSO-ROCKET-ROYAL-SABITALIA-SANREMO-VFA
VIBIEMME-WEGA



PROMAC



Suitable for:

Suitable for:

1460402 PRECISION FILTER 2T 18/22 g H28
 ultrafine model
 circular holes with conical section
 Aisi 304 steel - food-safe certified
 ø 58 mm suitable tamper
 for COFFEE MACHINES: ASTORIA-CASADIO-CONTI-ELEKTRA
 FRACINO-KEESVANDERWESTEN-MAGISTER-MARZOCCO
 N.SIMONELLI-PAVONI-PROMAC-RANCILIO-SLAYER-SYNESSO
 VICTORIA ARDUINO
 for GROUPS: E61 ASCASO-BEZZERA-BFC-BIANCHI
 BRASILIA-DID-ECM-EXPOBAR-FAEMA-FIORENTATO-GRIMAC
 IBERITAL-LANUOVAERA-LASCALA-ORCHESTRALE
 QUALITYESPRESSO-ROCKET-ROYAL-SABITALIA-SANREMO-VFA
 VIBIEMME-WEGA

1160251 1 CUP FILTER 6 g
 for Coffee machine (PROMAC) CLUB - COMPACT - GREEN
 P161



PROMAC

PROMAC 4010005

1160530 1 CUP FILTER 7 gr
 for Coffee machine (PROMAC) CLUB - COMPACT - GREEN
 P161

1160053 2 CUPS FILTER 14 gr
 for Coffee machine (PROMAC) CLUB - COMPACT - GREEN
 P161



PROMAC 4010001

PROMAC 40100101

PROMAC 4010090

PROMAC 40100103

1160345 2 CUPS FILTER 18 gr



PROMAC 4010096

Coffee groups

1349037 DRAIN PIPE
 for brew group
 for Coffee machine (PROMAC) CLUB - COMPACT - GREEN



PROMAC 10090001

PROMAC 10090002



Suitable for:

PROMAC



Suitable for:

Coffee measuring spoons

1069001 PLASTIC MEASURING SPOON 20 ml



PROMAC

1069002 STAINLESS STEEL MEASURING SPOON 20 ml



PROMAC

Detergents

3092543 COFFEE CLEAN DETERGENT 570 g
detergent for COFFEE MACHINES
suitable for the cleaning of filter holders
for grease and coffee stains on sauser and cups



PROMAC

3092351 DETERGENT COFFEE CLEAN
package with 15 bags 20 g
for coffee groups cleaning



PROMAC

3092350 DETERGENT COFFEE CLEAN TABLET 2.5 g
jar with 60 tablets 2.5 g
for coffee groups cleaning



PROMAC

3092143 DETERGENT COFFEE CLEAN 900 g
detergent for COFFEE MACHINES
suitable for cleaning filters and filter holders
for grease and coffee stains on cups and saucers
please see the attached documentation for use



PROMAC

3092352 SCALE REMOVER SCALE CLEAN 1 kg
acid descaler for aluminium surfaces
copper, brass, iron



PROMAC

Drain hoses

1449104 DRAIN ELBOW 3/4"
hose-end fitting ø 13 mm



PROMAC

1449876 DRAIN PIPE ø 3/4" F 1500 mm
external ø 20 mm - internal ø 13 mm



PROMAC 36901801



PROMAC



Suitable for:

Suitable for:

1449270 DRAIN PIPE ELISPIR \varnothing 12x18 mm - 30 m
alimentary

1449670 DRAIN PIPE ELISPIR \varnothing 12x18 mm - 5 m
alimentary



PROMAC

PROMAC

1449271 DRAIN PIPE ELISPIR \varnothing 14x20 mm - 30 m
alimentary

1449671 DRAIN PIPE ELISPIR \varnothing 14x20 mm - 5 m
alimentary



PROMAC

PROMAC

1449272 DRAIN PIPE ELISPIR \varnothing 16x23 mm - 30 m
alimentary

1449672 DRAIN PIPE ELISPIR \varnothing 16x23 mm - 5 m
alimentary



PROMAC

PROMAC

1449273 DRAIN PIPE ELISPIR \varnothing 18x25 mm - 30 m
alimentary

1449673 DRAIN PIPE ELISPIR \varnothing 18x25 mm - 5 m
alimentary



PROMAC

PROMAC

1449274 DRAIN PIPE ELISPIR \varnothing 20x27 mm - 30 m
alimentary

1449674 DRAIN PIPE ELISPIR \varnothing 20x27 mm - 5 m
alimentary



PROMAC

PROMAC

1449255 OUTLET HOSE ELISPIR \varnothing 25x33 mm
sold per meter

1449256 OUTLET HOSE ELISPIR \varnothing 30x38 mm
sold per meter



PROMAC

PROMAC



Suitable for:

PROMAC



Suitable for:

Drain tanks

1527812 DRAIN TUB NSF
for Coffee machine (PROMAC) CLUB - COMPACT - GREEN



PROMAC 38123513

Electronic boxes

5039219 DOSING CONTROL BOX 1-2-3 GROUPS 230V
for Coffee machine (PROMAC) COMPACT ME
COMPACT PU - GREEN ME - GREEN PU



PROMAC 34070188

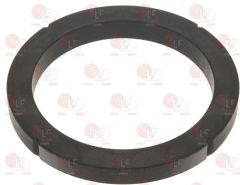
5049432 DOSING CONTROL BOX 2-3 GROUPS 230V
for Coffee machine (PROMAC) GREEN PLUS
GREEN TALL



PROMAC 34070208

Filter holder gaskets

1186812 FILTER HOLDER GASKET \varnothing 72x57x8 mm
with external cuts
for Coffee machine (PROMAC) CLUB



PROMAC 36301001

1186795 FILTER HOLDER GASKET \varnothing 73.5x57.5x8 mm
for Coffee machine (PROMAC) COMPACT - GREEN



PROMAC 80230400

1486031 GASKET FILTER HOLDER \varnothing 73.5x57.5x8 mm
ORIGINAL
for Coffee machine (PROMAC) COMPACT - GREEN



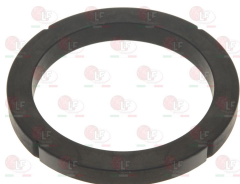
PROMAC 80230400

1486032 GASKET FILTER HOLDER \varnothing 74x57.5x8.5 mm
with external cuts
ORIGINAL
for Coffee machine (PROMAC) CLUB



PROMAC 36301046

5048248 GASKET FOR FILTER HOLD. \varnothing 74x57.5x8.5 mm
with external splits
for Coffee machine (PROMAC) CLUB



PROMAC 36301046



Filter holders for coffee machines

1165187 **BOTTOMLESS FILTER HOLDER RANCILIO**
wings 6.2 mm



PROMAC

1165251 **FILTER HOLDER CAPS. LAVAZZA DIFF. BRANDS**
alette 6,2 mm
per capsule singole lavazza blue



PROMAC

1165046 **FILTER HOLDER RANCILIO**
spout connection \varnothing 3/8" - screw handle connection
wings 6 mm



PROMAC 20112016

5086956 **PORTAFILTRO SENZA FONDO VARI MARCHI**
alette 6,2 mm
adattabile per macchine BFC
adattabile per macchine ECM MANUFACTURE
adattabile per macchine EXPOBAR
adattabile per macchine RANCILIO
adattabile per macchine ROYAL
adattabile per macchine SANREMO
adattabile per macchine VIBIEMME



PROMAC

Filter locking springs

1250101 **FILTER BLOCKING SPRING \varnothing 1,00 mm INOX**



PROMAC

PROMAC 25105005

1250338 **FILTER LOCKING SPRING \varnothing 1.40 mm ST.STEEL**



PROMAC

1250002 **S/STEEL FILTER LOCKING SPRING \varnothing 1.20 mm**



PROMAC

1250333 **SPRING FILTER BLOCK \varnothing 1.30 mm ST.STEEL**



PROMAC

Fittings

1349102 **FITTING \varnothing 1/4" M-1/4" M**



PROMAC 23217015



Suitable for:

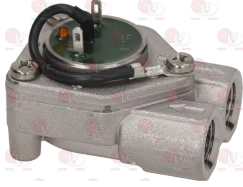
PROMAC

Suitable for:



Flowmeters

1455026 VOLUMETRIC FLOW METER GICAR
 connections \varnothing 1/4" FF - orifice 1.5 mm
 NSF approved
 for Coffee machine (PROMAC) CLUB - COMPACT - GREEN



PROMAC 34070050

Gaskets and seals

1186175 BLIND GASKET \varnothing 13x4 mm



PROMAC 36301105

1186793 CONICAL PTFE SEAL \varnothing 12x6.5 mm
 for steam pipe



PROMAC 36930016

1186792 COPPER FLAT GASKET \varnothing 16x12x2 mm



PROMAC 80230040

1186619 COPPER FLAT GASKET \varnothing 18x14x1.5 mm



PROMAC 27270001

1186620 COPPER FLAT GASKET \varnothing 22x17x1.5 mm



PROMAC 27350001

PROMAC 27350002

PROMAC 27350003

1186677 FLAT COPPER GASKET \varnothing 22x18x1.8 mm



PROMAC

1186810 FLAT COPPER GASKET \varnothing 24x21x1 mm



PROMAC 27400001

1186454 FLAT EPDM GASKET \varnothing 11x3.6x2 mm



PROMAC 36302001

Suitable for:

1186201 GASKET FLAT PTFE \varnothing 21x16.8x2 mm



PROMAC 3622009

Suitable for:

1186794 PTFE FLAT GASKET \varnothing 14.6x12x3 mm shaped



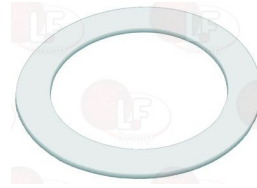
PROMAC 36930017

1186443 PTFE FLAT GASKET \varnothing 18x9x0.5 mm



PROMAC 36230001

1186455 PTFE FLAT GASKET \varnothing 65x46x1,5 mm for heating element



PROMAC 36930012

Handles for filterholder-portafilter

1241511 FILTER HOLDER HANDLE



PROMAC 38121018

1241502 FILTER HOLDER HANDLE M10



PROMAC

1241169 FILTER HOLDER HANDLE M12



PROMAC

1241501 FILTER HOLDER HANDLE M12



PROMAC

1241504 FILTER HOLDER HANDLE M12



PROMAC

1241051 FILTER HOLDER KNOB CAP



PROMAC 38121032

1241269 FILTER HOLDER KNOB M10



PROMAC

1141006 FILTER HOLDER KNOB M10 SOFT



PROMAC



Suitable for:

Suitable for:

1141007 FILTER HOLDER KNOB M124 SOFT

5051751 FILTERHOLDER KNOB WHITE M10



PROMAC

PROMAC

1141004 HANDLE FOR FILTER HOLDER M10 WALNUT WOOD

5083515 HANDLE FOR FILTER HOLDER M10 WALNUT WOOD



PROMAC

PROMAC

1141003 HANDLE FOR FILTER HOLDER M12 WALNUT WOOD

5055983 HANDLE FOR FILTER HOLDER M12 WALNUT WOOD



PROMAC

PROMAC

5054505 KNOB F.FILTERHOLDER M12 RED POLISHED

1241505 KNOB FILTER HOLDER M10



PROMAC

PROMAC

5054506 RED FILTER HOLDER KNOB M10 POLISHED

5051102 WHITE FILTER HOLDER KNOB M12



PROMAC

PROMAC

Heating elements

1755801 HEATING ELEMENT 1700W 230V
immersed length 190 mm - 2 poles
ø 105 mm - fittings ø 1/4"

3060608 O-RING O3050 EPDM



PROMAC 33122017

PROMAC 36405002

Suitable for:

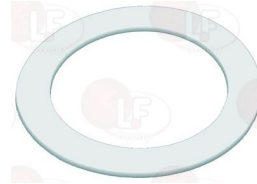
1755182 HEATING ELEMENT 3000W 220/380V
 immersed length 230 mm - 6 poles
 distance between the holes 62 mm
 with bulb sheath - flange 78x78 mm
 for coffee machines with 2 groups



PROMAC 33323300

Suitable for:

1186455 PTFE FLAT GASKET \varnothing 65x46x1,5 mm
 for heating element



PROMAC 36930012

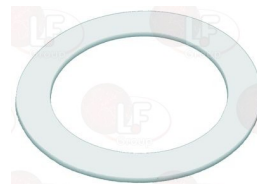
1755048 HEATING ELEMENT 4300W 230/400V
 immersed length 375 mm - 6 poles
 distance between the holes 62 mm
 with bulb sheath - flange 78x78 mm



PROMAC 33323004

PROMAC 33323430

1186455 PTFE FLAT GASKET \varnothing 65x46x1,5 mm
 for heating element



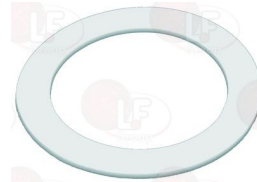
PROMAC 36930012

1755049 HEATING ELEMENT 6000W 230V
 immersed length 400 mm - 6 poles
 distance between the holes 62 mm
 with bulb sheath - flange 78x78 mm



PROMAC 33323600

1186455 PTFE FLAT GASKET \varnothing 65x46x1,5 mm
 for heating element



PROMAC 36930012

Indicator lights

3221097 NEUTRAL INDICATOR LAMP 220V
 head \varnothing 8 mm - 120°C
 for Coffee machine (PROMAC) CLUB - COMPACT - GREEN



PROMAC 34030116

3221163 ORANGE LAMP RECEPTACLE
 head \varnothing 15 mm - hole \varnothing 10 mm
 for Coffee machine (PROMAC) CLUB - COMPACT - GREEN



PROMAC 34030110



Suitable for:

PROMAC

Suitable for:



Inlet hoses

1449260 FLEX HOSE Ø 3/8" FcxFc 2300 MM + VALVE

hose DN8 (ø 8x12 mm)
with non-return valve
NSF certified (U.S.A.)



PROMAC 69000720

PROMAC 69000735

Ironmongery (screws,nuts,washers)

1241513 BLIND HEXAGONAL NUT M8 UNI 5721

stainless steel - height 16 mm UNI 5721 - DIN 1587



PROMAC 37320800

1528012 CYLINDER HEAD SCREW M5x14

stainless steel - cross recessed
UNI 7687 - DIN 7985 - ISO 7045



PROMAC 37030518

1528026 CYLINDER HEAD SCREW M8x20

stainless steel - with hexagon socket
UNI 5931 - DIN 912 - ISO 4762



PROMAC 37040821

3528112 HEXAGONAL HEAD SCREW M6x16

st./steel - UNI 5739 - DIN 933 - ISO 4017



PROMAC 37040615

1449804 NUT Ø 3/8" F H4 SPANNER 19

for Coffee machine (PROMAC) COMPACT - GREEN



PROMAC 26220005

1528020 WASHER FLAT LARGE M8

internal/external ø 8.4/18 mm - thickness 1.3 mm
in zinc plated iron alloy
stainless steel - UNI 6593 - DIN 9021 - ISO 7093



PROMAC 32239044

1186504 WASHER FLAT M10

internal/external ø 10.5/20 mm - thickness 2 mm
stainless steel - UNI 6592 - DIN 125 A - ISO 7089



PROMAC 39520008



Knobs

1241821 SELECTOR SWITCH KNOB \varnothing 42 mm
square pin hole 5x5 mm



PROMAC 10705215

PROMAC 38123090

1241109 STEAM TAP KNOB
for Coffee machine (PROMAC) CLUB - COMPACT - GREEN



PROMAC 80630211

1241110 WATER TAP KNOB



PROMAC 80630212

Level balls

1348812 SPHERE MADE OF STAINLESS STEEL \varnothing 9.52 mm



PROMAC 37900110

Level gauges

1201010 LEVEL GLASS ASSEMBLY



PROMAC 10060380

1449877 PTFE LEVEL GLASS \varnothing 10x107 mm
for RANCILIO EPOCA-CLASSE6-CLASSE8-CLASSE10
for PROMAC GREEN-COMPACT
for Coffee machine (PROMAC) COMPACT - GREEN



PROMAC 38228066

Level sensors

1341802 LEVEL PROBE \varnothing 1/8" M-115 mm
for Coffee machine (PROMAC) CLUB - COMPACT - GREEN



PROMAC 34200088



Suitable for:

PROMAC



Suitable for:

Lip seals

1348826 LIP SEAL \varnothing 15x9x4.5 mm
for Coffee machine (PROMAC) COMPACT - GREEN



PROMAC 36101002

Non-return and expansion valves

1523009 EXPANSION VALVE \varnothing 3/8"M-1/4"M
for Coffee machine (PROMAC) COMPACT - GREEN



PROMAC 10060460

Nozzles for coffee groups

1349803 BREW GROUP SPRAY NOZZLE \varnothing 21 mm
via hole \varnothing 6 mm
for Coffee machine (PROMAC) CLUB



PROMAC 25139001

1501561 GROUP SPRAY NOZZLE \varnothing 30 mm M10x1
for Coffee machine (PROMAC) COMPACT - GREEN



PROMAC 80230080

O-Ring and ORM gaskets

3060608 O-RING O3050 EPDM



PROMAC 36405002

1186805 O-RING O115 EPDM



PROMAC 36404001

1186014 O-RING O2015 EPDM



PROMAC 36404049

1186421 O-RING O2018 EPDM



PROMAC 80230090



Suitable for:

Suitable for:

1186612 O-RING 02025 VITON

1186803 O-RING 02037 EPDM



PROMAC 36402001

PROMAC 36402003

Paper seals

1190001 PAPER SHIM \varnothing 73x59x0.8 mm

1190002 RUBBER SHIM \varnothing 73x59x1 mm EPDM



PROMAC

PROMAC

Pins

1324117 INJECTOR PIN

1348046 TAP PIN
for Coffee machine (PROMAC) CLUB - COMPACT - GREEN



PROMAC 80230060

PROMAC 23000228

PROMAC 23224002

1349038 TAP PIN

1324078 TAP ROD
for Coffee machine (PROMAC) CLUB - COMPACT - GREEN



PROMAC

PROMAC 10060002

Pipes for coffee machines

1449055 INJECTION PIPE \varnothing 1/4" M
for Coffee machine (PROMAC) CLUB - COMPACT - GREEN



PROMAC 10042004

PROMAC 10042172



Suitable for:

PROMAC



Suitable for:

Pressure gauges

1245100 BOILER PRESSURE GAUGE \varnothing 41 mm 0÷2.5 bar
single scale 0÷2.5 bar - connection \varnothing 1/8" M
frame \varnothing 44 mm - case \varnothing 41 mm
for Coffee machine (PROMAC) CLUB



PROMAC 35002506

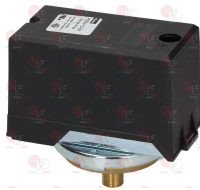
1245013 BOILER-PUMP PRESSURE GAUGE \varnothing 63 mm
double scale 0÷2.5/0÷16 bar - connections \varnothing 1/8" M
rim \varnothing 70 mm - body \varnothing 63 mm
for Coffee machine (PROMAC) COMPACT - GREEN



PROMAC 35162505

Pressure switches

1320541 PRESSURE SWITCH PARKER
CEI-UL approved
connection \varnothing 1/4"
scale 0.5÷1.4 bar
differential 0.18÷0.03 bar
maximum pressure 2.1 bar
maximum temperature 140°C



PROMAC 34200112

Rubberpieces for steam-water taps

1186180 BURN PREVENTING RUBBERPIECE \varnothing 10 mm
for Coffee machine (PROMAC) GREEN



PROMAC 36990004

Shower screens for brew group

1081602 PRECISION SHOWER NANOTEC \varnothing 57 mm
rivestimento antiaderente in NANOQUARZO
aumenta la resistenza a corrosione
e da attacco chimico
foro centrale 5,5 mm - 98 fori \varnothing 3 mm
acciaio Aisi 316 - certificata alimentare
membrana integrata 200 μ m
adattabile per macchine BEZZERA-MAGISTER-PAVONI
PROMAC-RANCILIO



PROMAC

1081601 PRECISION SHOWER NANOTEC \varnothing 60 mm
non-stick NANOQUARTZ coating
increases the resistance to corrosion
and to chemical reaction
98 holes \varnothing 3 mm
steel Aisi 304 - foodsafe certified
integrated membrane 200 μ m
for E61 GROUPS



PROMAC LF-1081401

PROMAC



Suitable for:

1460203 PRECISION SHOWER SCREEN \varnothing 57 mm
 central hole 5.5 mm - 98 holes \varnothing 3 mm
 Aisi 316 stainless steel - food-safe certified
 integrated membrane 200 μ M
 for Coffee machine (PROMAC)



PROMAC

Suitable for:

1460208 PRECISION SHOWER SCREEN \varnothing 57 mm
 central hole 5.5 mm - 112 holes \varnothing 2 mm
 Aisi 304 stainless steel - food-safe certified
 wire membrane 35 μ M
 for Coffee machine (PROMAC)



PROMAC

1460201 PRECISION SHOWER SCREEN \varnothing 60 mm
 98 holes \varnothing 3 mm
 Aisi 304 stainless steel - food-safe certified
 integrated membrane 200 μ M
 for GROUPS E61
 for Coffee machine (PROMAC)



PROMAC

1460206 PRECISION SHOWER SCREEN \varnothing 60 mm
 120 holes \varnothing 2.5 mm
 Aisi 304 stainless steel - food-safe certified
 wire membrane 35 μ M
 for GROUPS E61
 for Coffee machine (PROMAC)



PROMAC

1081516 SHOWER \varnothing 60 mm
 for Coffee machine (PROMAC) COMPACT - GREEN



PROMAC

1081036 SHOWER \varnothing 57.5 mm
 for Coffee machine (PROMAC) CLUB



PROMAC 4020005

1081536 SHOWER SCREEN \varnothing 57.5 mm
 for Coffee machine (PROMAC) CLUB



PROMAC 4020005

1081016 SHOWER SCREEN \varnothing 60 mm
 for Coffee machine (PROMAC) COMPACT - GREEN



PROMAC 80230310

1081116 SHOWER SCREEN \varnothing 60 mm
 for Coffee machine (PROMAC) COMPACT - GREEN



PROMAC

1081216 SHOWER SCREEN \varnothing 60 mm
 for Coffee machine (PROMAC) COMPACT - GREEN



PROMAC



Suitable for:

PROMAC



Suitable for:

Showerholder diffusers

1086014 SHOWER HOLDER DIFFUSER

external \varnothing 58 mm - height 10 mm - hole \varnothing 16 mm
for Coffee machine (PROMAC) CLUBME - CLUBPU



PROMAC 20200181

Solenoid valves

1120332 COIL LUCIFER/PARKER 220/240V 9W 50Hz

width 32 mm - height 38 mm
length 43 mm



PROMAC

3120032 COIL PARKER ZB09 9W 220/240V 50/60Hz

width 34 mm - height 33 mm
length 43 mm



PROMAC

1120466 2-WAY SOLENOID VALVE LUCIFER 115V 60Hz

7121ZBG1LV00 - fittings \varnothing 1/8"FF - max 10 bar
VITON seal - orifice \varnothing 2.5 mm
with coil 483510S5 F 9W 110/115/120V 50/60Hz
fluid temperature -10°C+140°C



PROMAC 34040119

1120460 2-WAY SOLENOID VALVE LUCIFER 240V 50Hz

7121ZBG1LV00 - fittings \varnothing 1/8"FF - max 10 bar
VITON seal - orifice 2.5 mm
with coil 483510 9W 220/240V 50/60Hz
fluid temperature -40°C+140°C



PROMAC 34040002

1120332 COIL LUCIFER/PARKER 220/240V 9W 50Hz

width 32 mm - height 38 mm
length 43 mm



PROMAC



Suitable for:

1120334 3-WAY MECHANICAL COMPONENT LUCIFER
 E131F4304G - drain \varnothing 1/8" conical - max 10 bar
 RUBY seal - orifice \varnothing 1.5 mm
 fluid temperature -30°C+140°C



PROMAC

Suitable for:

1120339 3-WAY MECHANICAL COMPONENT PARKER
 VE128IR - drain \varnothing 1/8" conical - max 10 bar
 RUBY seal - orifice \varnothing 1.3 mm
 fluid temperature -30°C+140°C



PROMAC

1120102 3-WAY SOLENOID VALVE LUCIFER 115V 60Hz
 E131F4304 - drain \varnothing 1/8" conical - max 10 bar
 RUBY seal - orifice \varnothing 1.5 mm
 with coil 483510S5 9W 110/115/120V 50/60Hz
 fluid temperature -40°C+140°C



PROMAC 34040107

1120334 3-WAY MECHANICAL COMPONENT LUCIFER
 E131F4304G - drain \varnothing 1/8" conical - max 10 bar
 RUBY seal - orifice \varnothing 1.5 mm
 fluid temperature -30°C+140°C



PROMAC

1120330 3-WAY SOLENOID VALVE LUCIFER 240V 50Hz
 E131F4304 - drain \varnothing 1/8" conical - max 10 bar
 RUBY seal - orifice \varnothing 2.5 mm
 with coil 483510S6 9W 220/240V 50/60Hz
 fluid temperature -40°C+140°C



PROMAC 34040008

1120332 COIL LUCIFER/PARKER 220/240V 9W 50Hz
 width 32 mm - height 38 mm
 length 43 mm



PROMAC

1120334 3-WAY MECHANICAL COMPONENT LUCIFER
 E131F4304G - drain \varnothing 1/8" conical - max 10 bar
 RUBY seal - orifice \varnothing 1.5 mm
 fluid temperature -30°C+140°C



PROMAC



Suitable for:

PROMAC



Suitable for:

1120101 3-WAY SOLENOID VALVE PARKER 115V 50/60Hz

VE128IR - drain \varnothing 1/8" conical - max 10 bar
RUBY seal - orifice \varnothing 1.3 mm
with coil ZB09 9W 110/120V 50/60Hz
fluid temperature -40°C+140°C



PROMAC

1120335 3-WAY SOLENOID VALVE PARKER 230V 50/60Hz

VE128IR - drain \varnothing 1/8" conical - max 10 bar
RUBY seal - orifice \varnothing 1.3 mm
with coil ZB09 9W 220/230V 50/60Hz
fluid temperature -30°C+140°C



PROMAC

3120032 COIL PARKER ZB09 9W 220/240V 50/60Hz

width 34 mm - height 33 mm
length 43 mm



PROMAC

1120339 3-WAY MECHANICAL COMPONENT PARKER

VE128IR - drain \varnothing 1/8" conical - max 10 bar
RUBY seal - orifice \varnothing 1.3 mm
fluid temperature -30°C+140°C



PROMAC

Spouts for coffee

1022522 ADJUSTABLE LONG DOUBLE SPOUT \varnothing 3/8"



PROMAC

1022523 ADJUSTABLE SHORT DOUBLE SPOUT \varnothing 3/8"



PROMAC

1160559 CHROME PLATED SCREW FOR SPOUT



PROMAC 23123015

1022504 CLOSED SINGLE SPOUT \varnothing 3/8"



PROMAC

Suitable for:

Suitable for:

1022502 DOUBLE SPOUT \varnothing 3/8"

1022521 LONG DOUBLE SPOUT \varnothing 3/8"



PROMAC 10707008

PROMAC

1022501 SINGLE SPOUT \varnothing 3/8"

1022503 STRAIGHT SINGLE SPOUT \varnothing 3/8"



PROMAC 21102513

PROMAC

1022551 TRIPLE SPOUT \varnothing 3/8"

5031337 1-CUP STRAIGHT SHORT SPOUT \varnothing 3/8"



PROMAC

PROMAC

Springs

1250028 SPRING \varnothing 10x26 mm
for Coffee machine (PROMAC) COMPACT - GREEN

1250030 SPRING \varnothing 11x20 mm
for Coffee machine (PROMAC) COMPACT - GREEN



PROMAC 39110064

PROMAC 39110040

1250224 SPRING \varnothing 12x12 mm
for Coffee machine (PROMAC) CLUB - COMPACT - GREEN

1250026 SPRING \varnothing 12x31 mm
for Coffee machine (PROMAC) CLUB - COMPACT - GREEN



PROMAC 39110038

PROMAC 39110035

1250225 SPRING \varnothing 7x27 mm WITH NOZZLE AND FILTER
for Coffee machine (PROMAC) CLUB - COMPACT - GREEN

1250820 STEAM HANDLE SPRING
for Coffee machine (PROMAC) CLUB - COMPACT - GREEN



PROMAC 80230070

PROMAC 32210001



Suitable for:

PROMAC



Suitable for:

Steam taps and spares for coffee mach.

1528019 NUT WITH GASKET
for Coffee machine (PROMAC) CLUB - COMPACT - GREEN



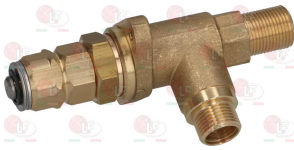
PROMAC 10060001

1250027 SPRING GUIDE
for Coffee machine (PROMAC) CLUB - COMPACT - GREEN



PROMAC 25132003

1348855 STEAM/WATER TAP
connections \varnothing 3/8"
for Coffee machine (PROMAC) CLUB - COMPACT - GREEN



PROMAC 10060100

1348045 TAP BUSHING
for Coffee machine (PROMAC) CLUB - COMPACT - GREEN



PROMAC 23220029

Steam-water pipes coffee machines

1449141 CHROME-PLATED COMPLETE STEAM PIPE \varnothing 6 mm
pipe length 180 mm



PROMAC 10049046

1449053 COMPLETE WATER PIPE
for Coffee machine (PROMAC) CLUB - COMPACT - GREEN



PROMAC 10049014

1449864 COMPLETE WATER PIPE
for Coffee machine (PROMAC) CLUB - COMPACT - GREEN



PROMAC 10706026

1549057 HOSE STEAM COMPLETE CHROME-PLATED \varnothing 10mm
hose length 210 mm



PROMAC 10049063

1449051 STEAM PIPE COMPLETE CHROME-PLATED \varnothing 10 m
hose length 265 mm
for Coffee machine (PROMAC) CLUB



PROMAC 10706017



Switches

- 1319262 BLUE BIPOLAR SWITCH 16A 250V**
with indicator lamp
silk-screen printing "coffee cup"
mounting hole 22x30 mm
for Coffee machine (PROMAC) CLUB - COMPACT - GREEN



PROMAC 34030072

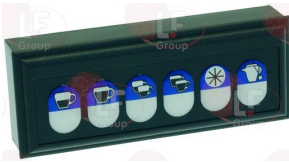
- 1319805 BLUE BIPOLAR SWITCH 16A 250V**
with indicator lamp
silk-screen printing "cup warmer"
mounting hole 22x30 mm
for Coffee machine (PROMAC) COMPACT - GREEN



PROMAC 34030073

PROMAC 34030074

- 1319263 PUSH-BUTTON PANEL 6 BUTTONS**
for Coffee machine (PROMAC) COMPACT - GREEN



PROMAC 34070186

Terminal blocks

- 3247016 3-POLE TERMINAL BLOCK FV273 40A 450V**
for cable max 6 mm²
operating temperature 150°C
nominal voltage 450 V



PROMAC 34150023

- 3247009 6-POLE TERMINAL BLOCK FV122/B 40A 600V**
for cable max 6 mm²
operating temperature 150°C
nominal voltage 450 V



PROMAC 34150024

Thermostats

- 1444005 BIPOLAR THERMOSTAT 165°**
capillary length 470 mm - 16A 400V
for Coffee machine (PROMAC) CLUB - COMPACT - GREEN



PROMAC 10701195

PROMAC 34200093

- 2102106 TERMOSTATO MONOFASE 169°C**
a riarmo automatico
lunghezza capillare ricoperto 510 mm
bulbo \varnothing 4x124 mm



PROMAC 34200097



Suitable for:

PROMAC



1444509 THREE-PHASE THERMOSTAT 169°C
 with manual reset
 covered capillary 900 mm
 bulb \varnothing 4x128 mm
 for Coffee machine (PROMAC) CLUB - COMPACT - GREEN



PROMAC 3420095

Suitable for:

1444004 THREE-PHASE THERMOSTAT 187°C
 manual reset
 covered capillary 830 mm
 bulb \varnothing 4x124 mm
 for Coffee machine (PROMAC) CLUB - COMPACT - GREEN



PROMAC 3420096

3444230 TWO-POLE THERMOSTAT 165°C
 capillary 500 mm - 25A 277V
 for Coffee machine (PROMAC) CLUB - COMPACT - GREEN



PROMAC 3420092

Tools

1505002 EXTRACTOR FOR FILTER S.STEEL WITH HOLE



PROMAC

3394906 TELESCOPIC KIT \varnothing 30x165 mm
 extension overall length 485 mm



PROMAC

Water filling taps

1348810 INLET TAP BODY
 for water inlet tap



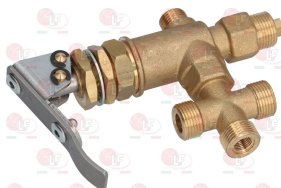
PROMAC 20121012

1348811 SPACER INLET TAP
 for water inlet tap



PROMAC 23208015

1348807 WATER INLET TAP
 for Coffee machine (PROMAC) COMPACT - GREEN



PROMAC 10060290



Water softeners and accessories

3010001 MANUAL WATER SOFTENER 8 L \varnothing 3/8"
for water treatment for TECHNICAL purposes
STAINLESS STEEL cylinder capacity 8 L
connection 3/8"
dimensions: height 400 mm - \varnothing 185 mm
resin content 5.8 L
regeneration salt(NaCl-table salt)1 Kg



PROMAC

3010161 MANUAL WATER SOFTENER 8 L \varnothing 3/8"
for water treatment for TECHNICAL purposes
plasma welding
STAINLESS STEEL cylinder capacity 8 L
connection 3/8"
dimensions: height 400 mm - \varnothing 185 mm
resin content 5.8 L
regeneration salt(NaCl-table salt)1 Kg
inlet water maximum temperature 60°C



PROMAC

3010112 RESIN 5 L
5 litre bag



PROMAC

3010299 SALE PER ADDOLCITORE IN PASTIGLIE 10 Kg
PER IMPIANTI DI ADDOLCIMENTO ACQUA



PROMAC

3010300 SALT FOR WATER SOFTNER IN TABLETS 25 Kg
FOR WATER SOFTENING SYSTEMS



PROMAC

The data herewith contained may change without notice and LF SpA cannot be held responsible for possible errors stated or resulting by the use of this document. All rights reserved. No part of this publication may be reproduced without written permission by LF SpA.



Distributing Components, Spare Parts & Accessories in original quality worldwide

-
- LF SpA HEADQUARTERS**
via Voltri, 80 - 47522 Cesena (FC) ITALY
Tel. +39 0547 34 11 11 - Fax +39 0547 34 11 10
www.lfricambi724.it - info@lfricambi.it
Export Dept. Tel. +39 0547 34 11 50 - Fax +39 0547 34 11 55
www.lfspareparts724.com - export@lfspareparts.com
- LF SpA HOUSEHOLD COMPONENTS DIVISION**
Via Padriciano, 99 - AREA Science Park - 34149 Trieste (TS) ITALY
Tel. +39 0547 34 12 42 - Fax +39 0547 34 12 48
www.lfspareparts724.com - info@lfspareparts.com
- EPGC Sas FRANCE**
13, Rue des Forts - 59960 Neuville en Ferrain
Tel. +33 (0)3 20 25 06 21 - Fax +33 (0)3 20 25 34 12
www.epgc.com - epgc@epgc.com
- LF GmbH GERMANY**
Junkersstrasse, 3 - D-82178 Puchheim - München
Tel. +49 89 89 45 78 66 - Fax +49 89 89 45 78 88
www.lfersatzteile724.de - info@lfersatzteile.de
- LF China REPUBLIC OF CHINA**
Room 403, No.2, Huadu Mansion, Lane 422, Huanghua Rd.
Minhang Dist. - 201103 Shanghai
Tel. +86 (0)21 33 53 66 31 - Fax +86 (0)21 33 53 66 32
www.lfspareparts724.com - china@lfspareparts.com
- OOO LF RUSSIAN FEDERATION**
Ul. Anatoliya Zhivova, 8 - office 1 - 123100 Moscow
Tel./Fax +7 495 725 26 53
www.lfspareparts724.ru - info@lfspareparts.ru
- LF Repuestos Horeca S.L.U. SPAIN**
Poligono Industrial Carpetania - C/Miguel Faraday, 8 - 28906 Getafe
Tel. +34 91 477 91 00 - Fax +34 91 477 90 81
www.lfrepuestos-horeca724.es - info@lfrepuestos.es
- LF Scandinavia Aps - LF Spareparts S.p.A. DENMARK**
Nupark, 51 - 7500 Holstebro
Tel. +45 70 70 77 33
www.lfspareparts724.dk - denmark@lfspareparts.dk
- LF SpA Cesena (IT) Swiss Branch Steinhausen SWITZERLAND**
Sennweidstrasse, 45 - CH-6312 Steinhausen
Tel. +41 (0)41 760 15 80/1 - Fax +41 (0)41 760 15 85
www.lfersatzteile724.ch - info@lfersatzteile.ch
- LF Spare Parts Ltd. UNITED KINGDOM**
A10a Lakeside Business Park, Broadway Lane
South Cerney, Gloucestershire GL7 5XL
Tel. +44 (0)1285 86 16 25 - Fax +44 (0)1285 86 39 49
www.lfspareparts724.co.uk - info@lfspareparts.co.uk
- LF Central Est Europe S.r.o. CZECH REPUBLIC**
Antala Staska 1859/34
14000 Praha 4 - KRC
Tel. +420 730 156 910
www.lfspareparts724.cz - info@lfspareparts.cz
- LF SPARE PARTS INC. USA**
Legal address:
155 Office Plaza Dr - Suite A - Tallahassee, FL 32301
Business/Mailing address:
1100 South Tower, 225 Peachtree St., N.E. - Atlanta, GA 30303, USA
Tel. +1-404-525-2600 - Fax +1-404-586-3528
www.lfspareparts724.us - info@lfspareparts.us
Tel. West Coast and Midwest: 206-349-1525 Sauro
Tel. East Coast and the Caribbean: 786-817-1764 Luis
-
- AUSTRALIA AND NEW ZEALAND**
www.lfspareparts724.com
andrea.calvio@lfspareparts.com
- AUSTRIA**
www.lfersatzteile724.at
info@lfersatzteile.at
- BALKAN COUNTRIES**
www.lfspareparts724.com
matija.ramov@lfspareparts.com
- BALTIC COUNTRIES**
www.lfspareparts724.com
inara.silina@lfspareparts.com
- LATIN AMERICA AND THE CARRIBEANS**
www.lfrepuestos-horeca724.es
export@lfrepuestos.es
- POLAND**
www.lfspareparts724.pl
info@lfspareparts.pl
- SOUTH KOREA**
www.lfspareparts724.com
fabio.doni@lfspareparts.com
- TURKEY**
www.lfyedekparca724.com
export@lfspareparts.com