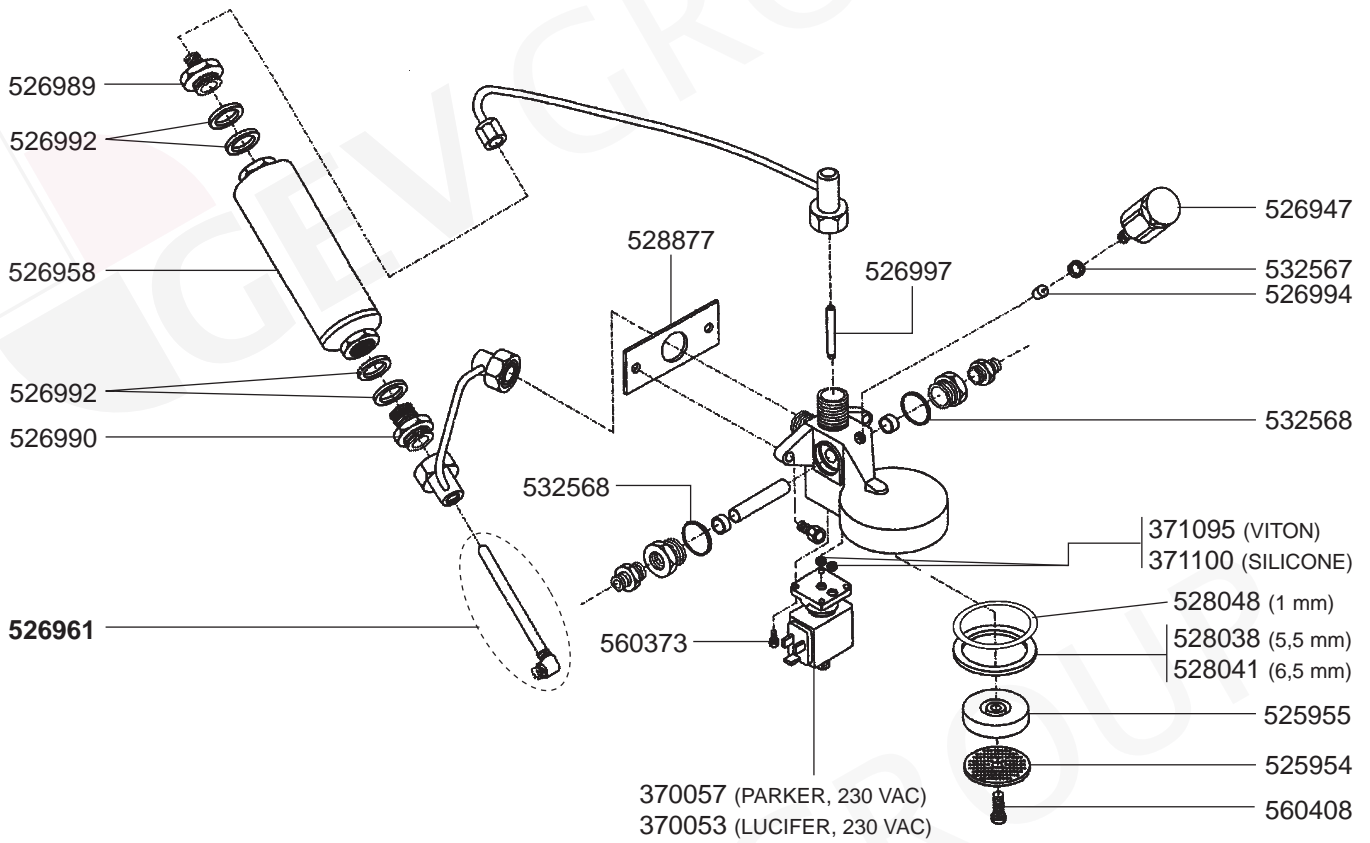
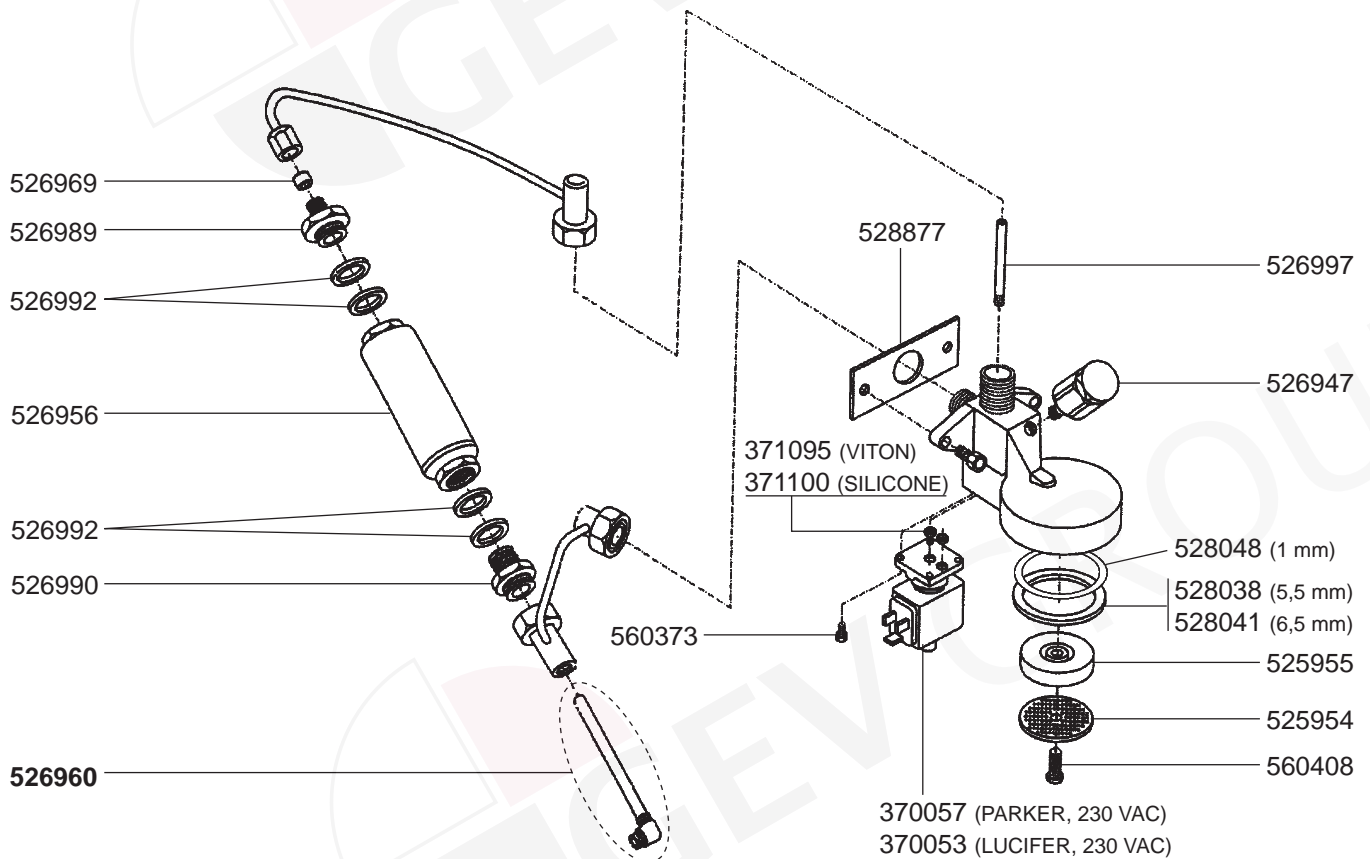


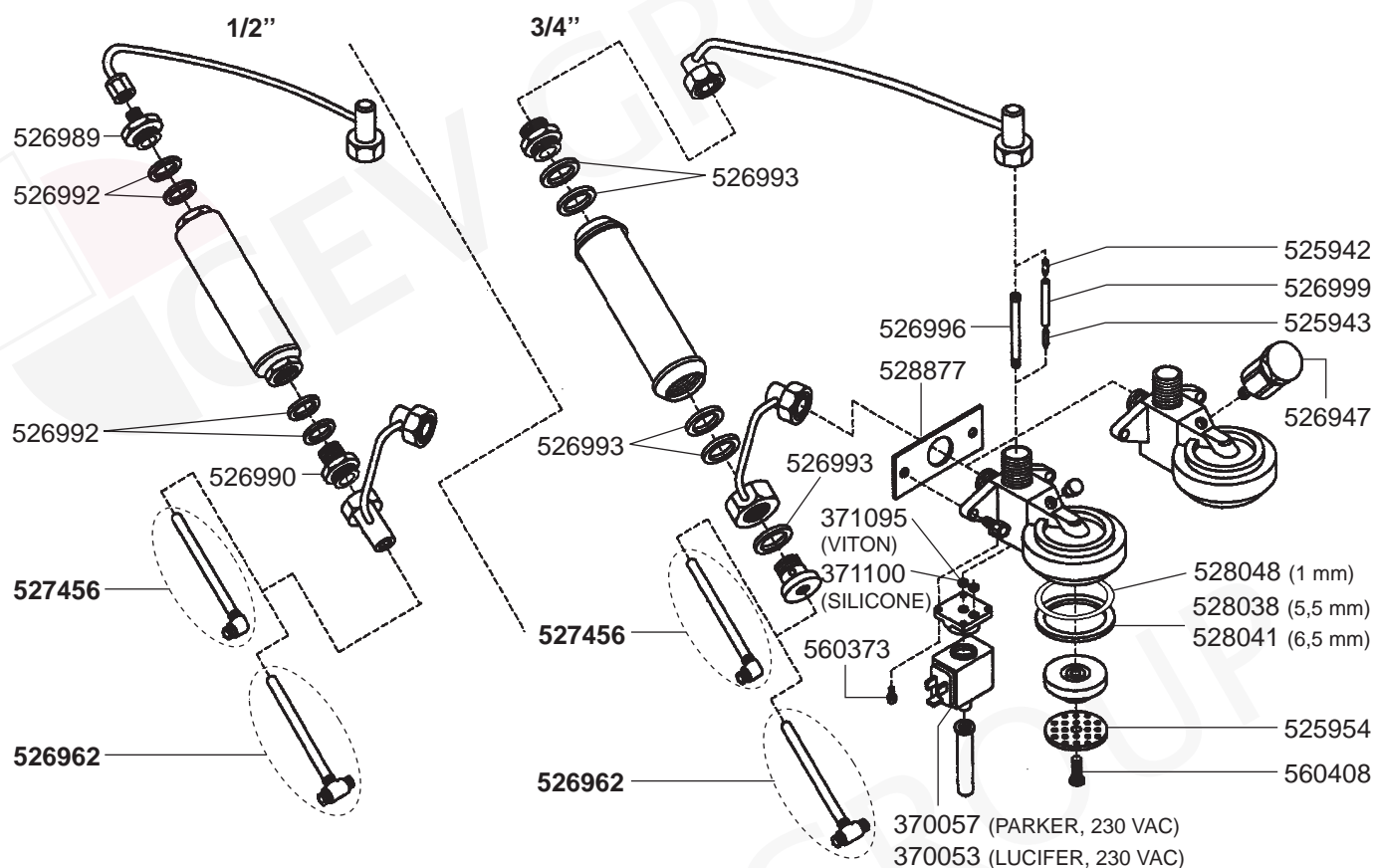
GROUP 105



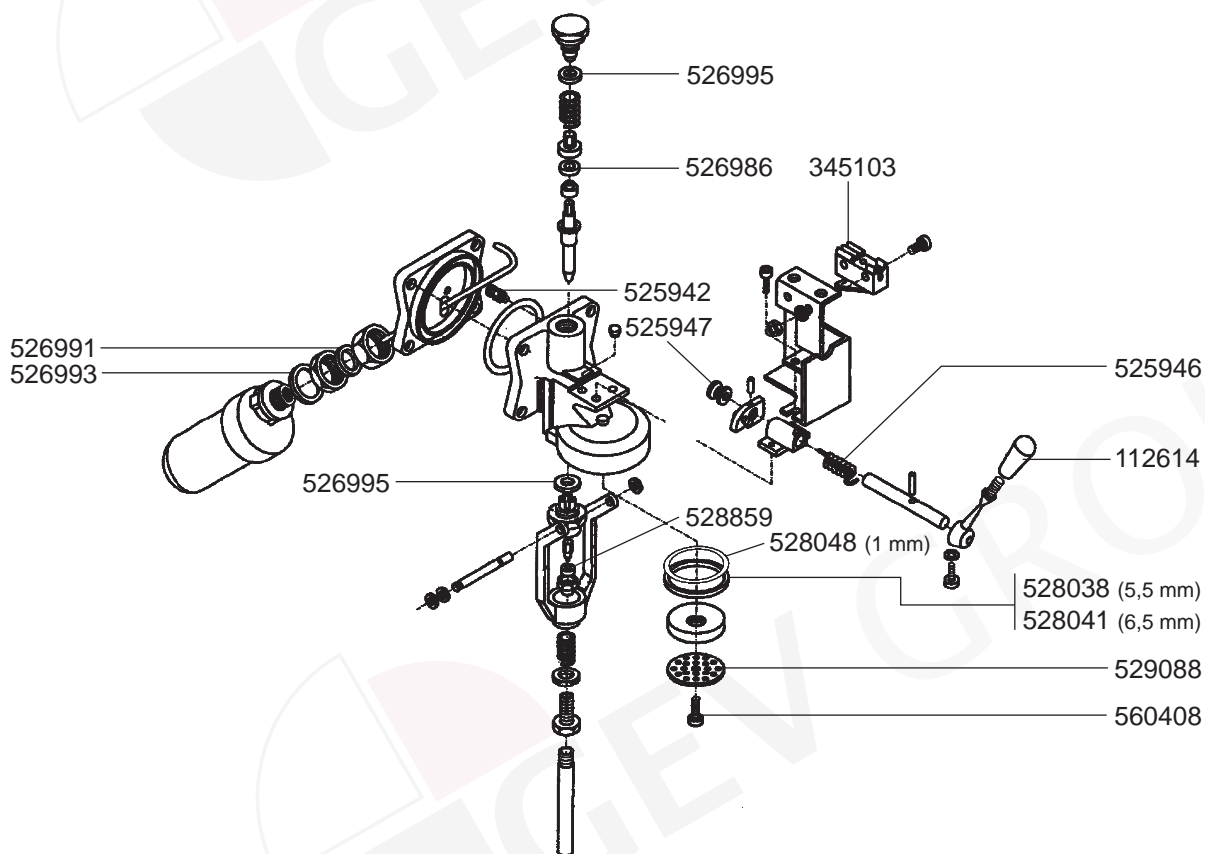
GROUP 105-1GR



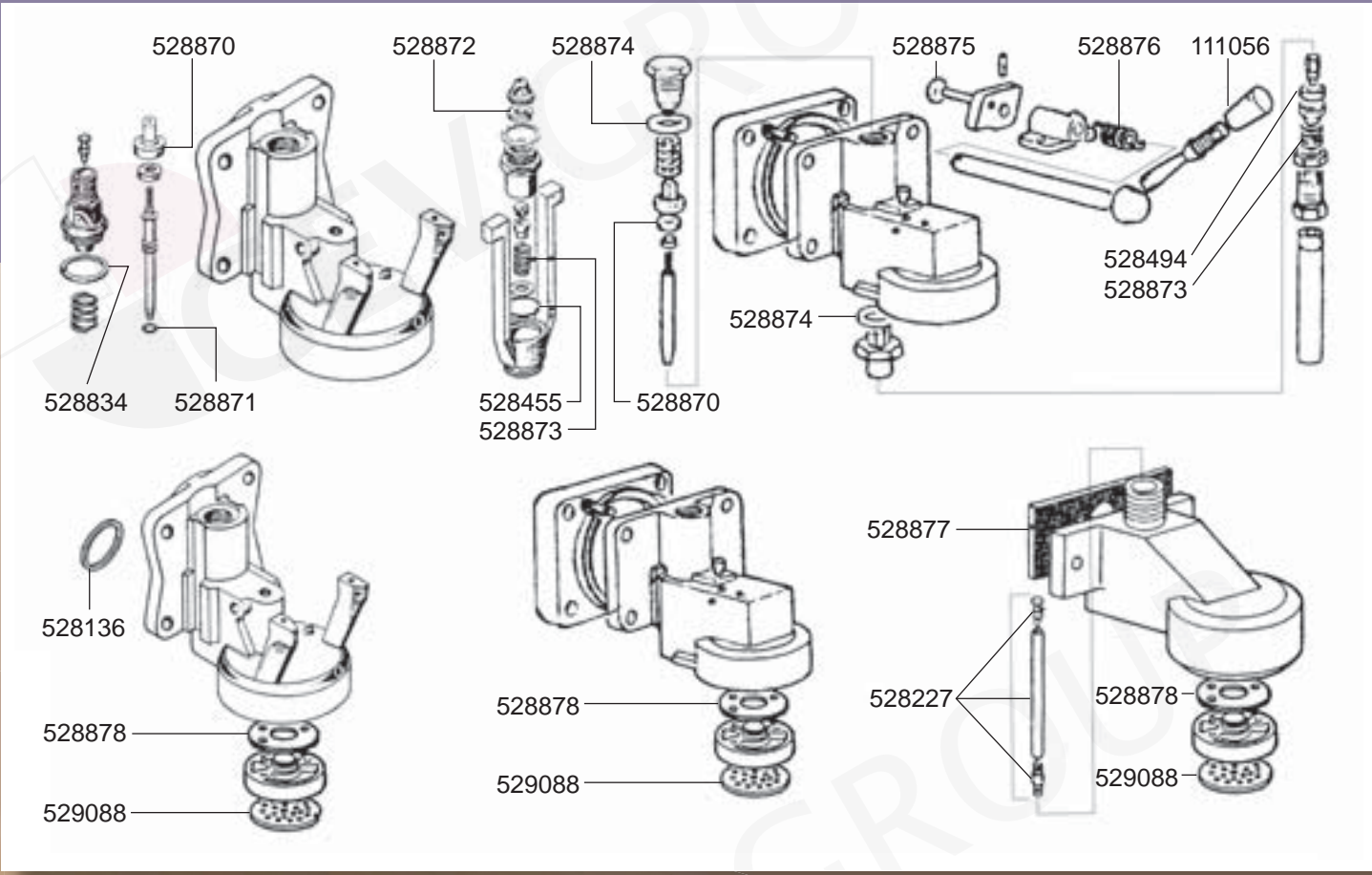
GROUP 85/95



GROUP 85



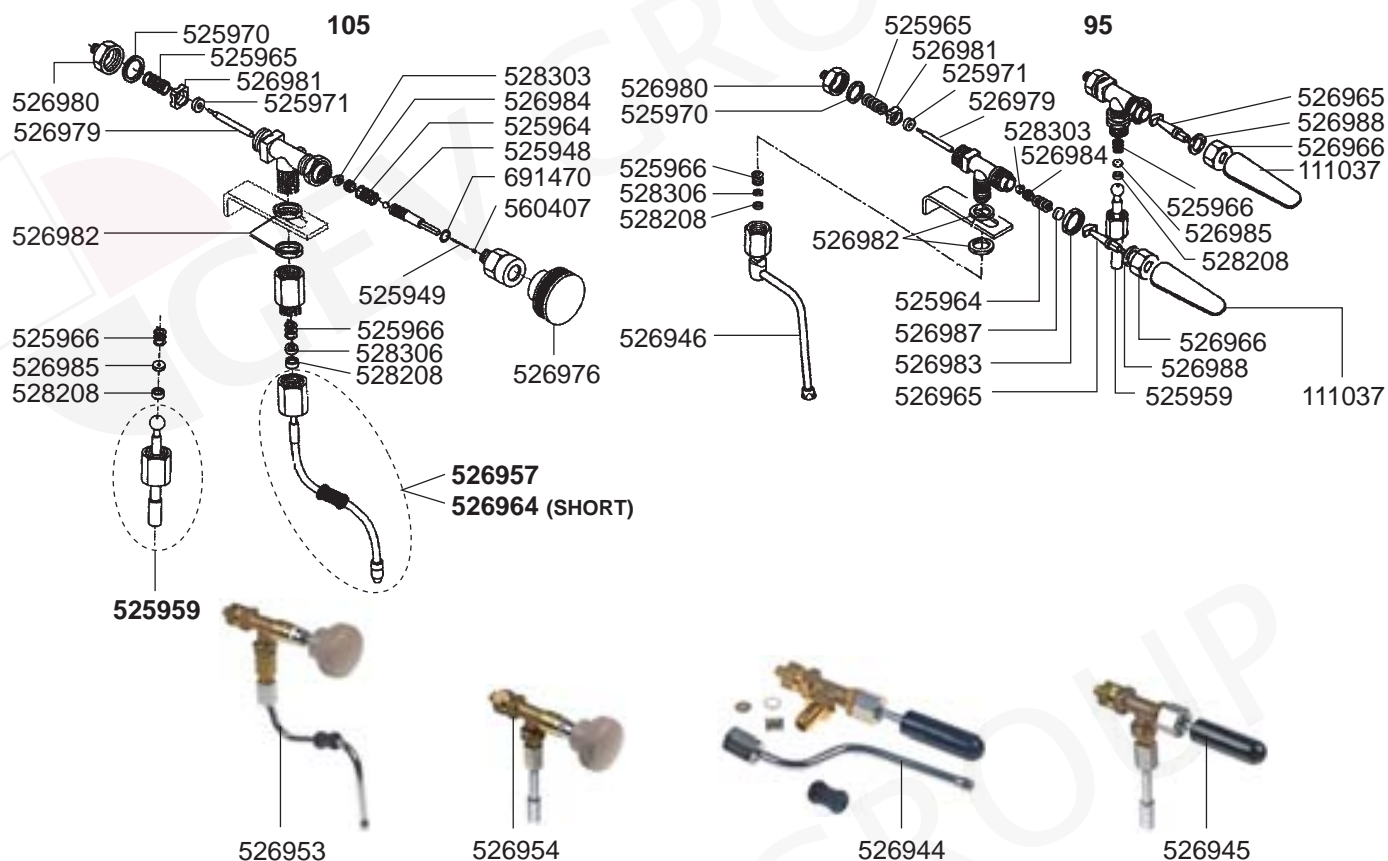
OLD MODEL GROUPS



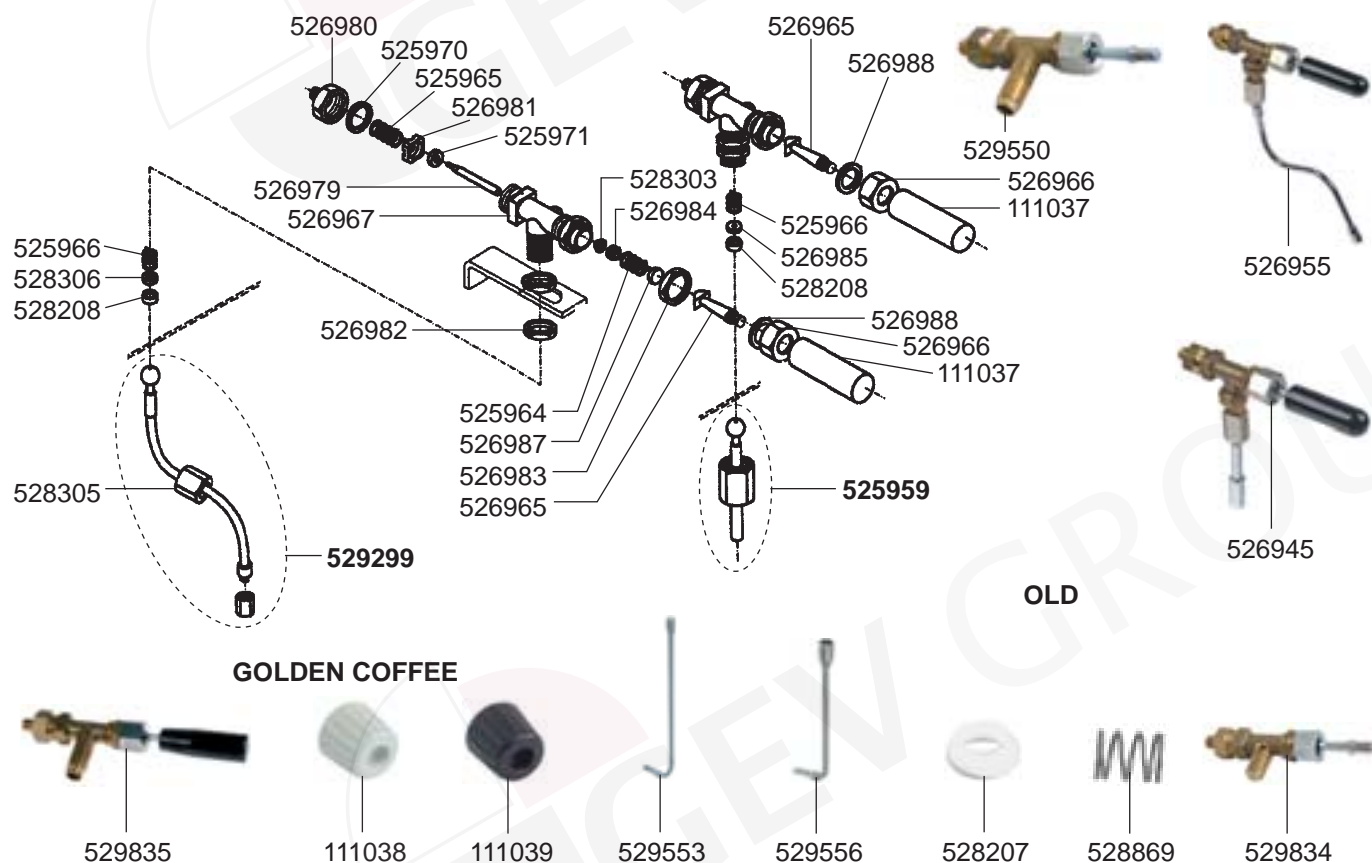
FILTER HOLDERS



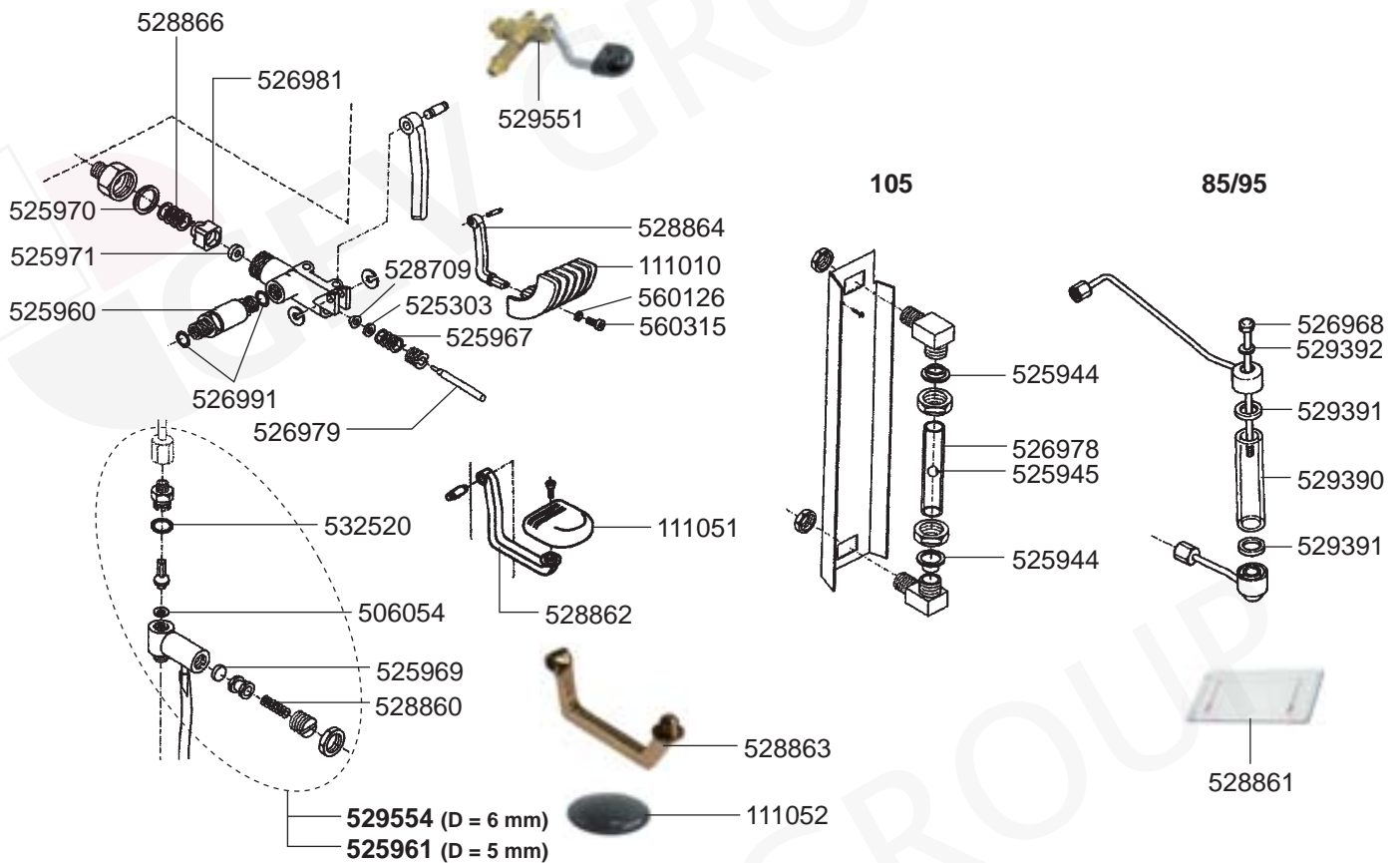
STEAM/WATER TAPS 105/95



STEAM/WATER TAPS 85



Inlet VALVE/VALVES/LEVEL INDICATOR



BOILER VARIOUS



BOILER/MANOMETERS/DRIP TRAYS VARIOUS

529316 (3/8")
529303 (1/4")
529304 (1/4")
529361 (1/4")
529349 (3/8")
529309 (M18 x 1,5)

541220 (85/95)
541720 (105)

529751 (85/95)
526975 (105)

390324

417026 (1 GR-1000 W-230 VAC)
417027 (2 GR-1300 W-230 VAC)
417142 (3 GR-1850 W-230 VAC)

105
105 1 GR-105 COMPACT

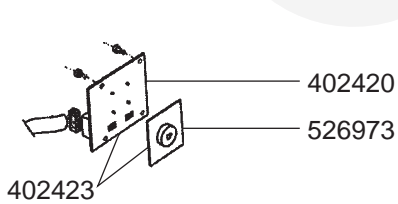
379475
401925
525962
528304
528010 (PTFE)

525963
510459
528857 (PTFE)

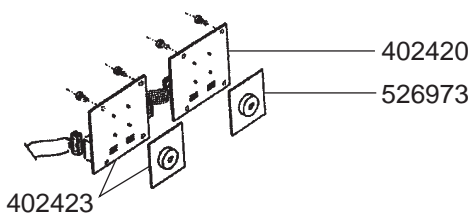
528011

ELECTRICAL COMPONENTS 105

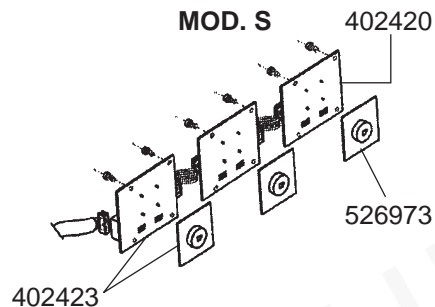
MOD. 1 GRUPPO S



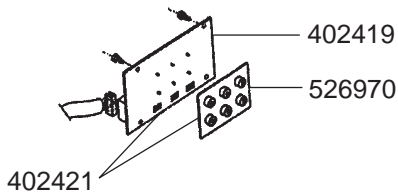
MOD. COMPACT S



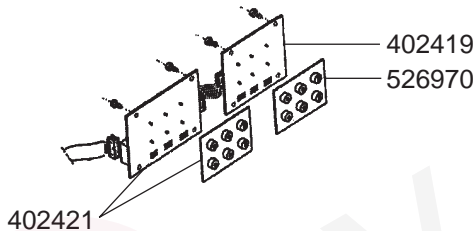
MOD. S



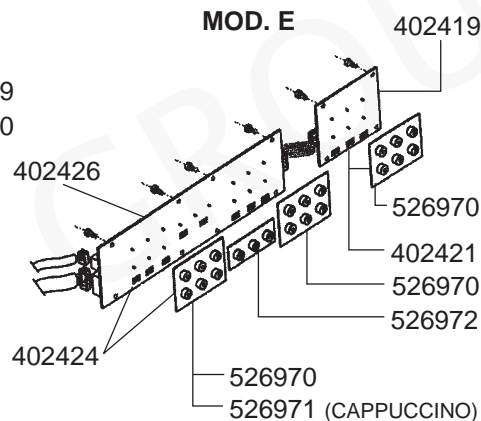
MOD. 1 GRUPPO S



MOD. COMPACT E



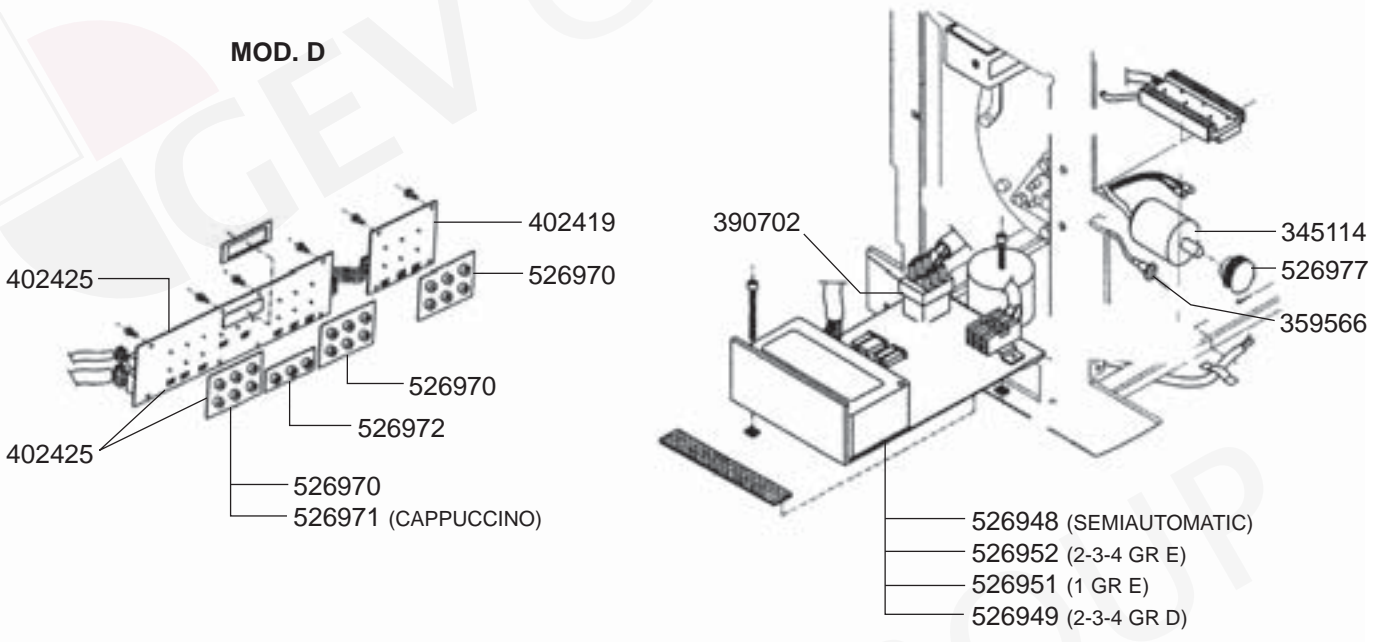
MOD. E



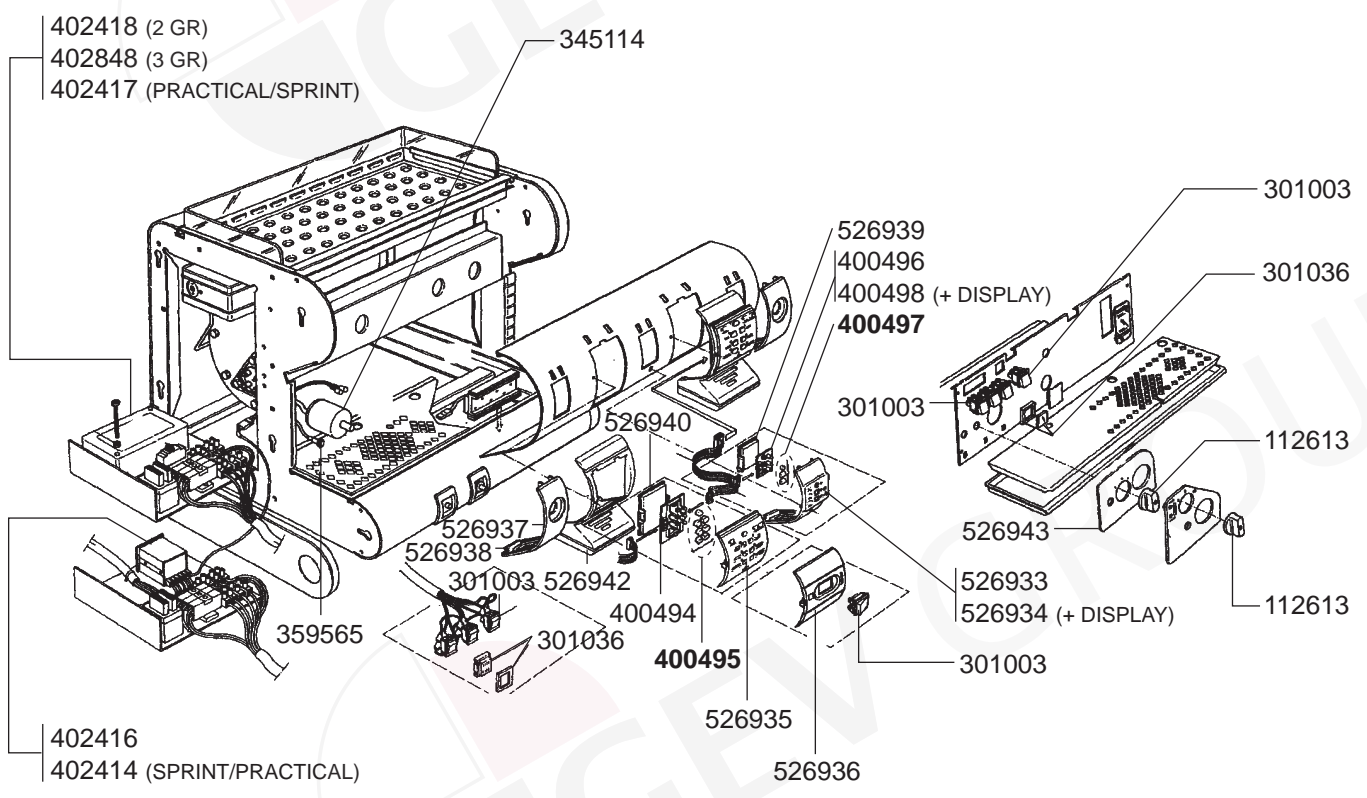
1 ELECTRICAL COMPONENTS 105

ESPRESSO MACHINES

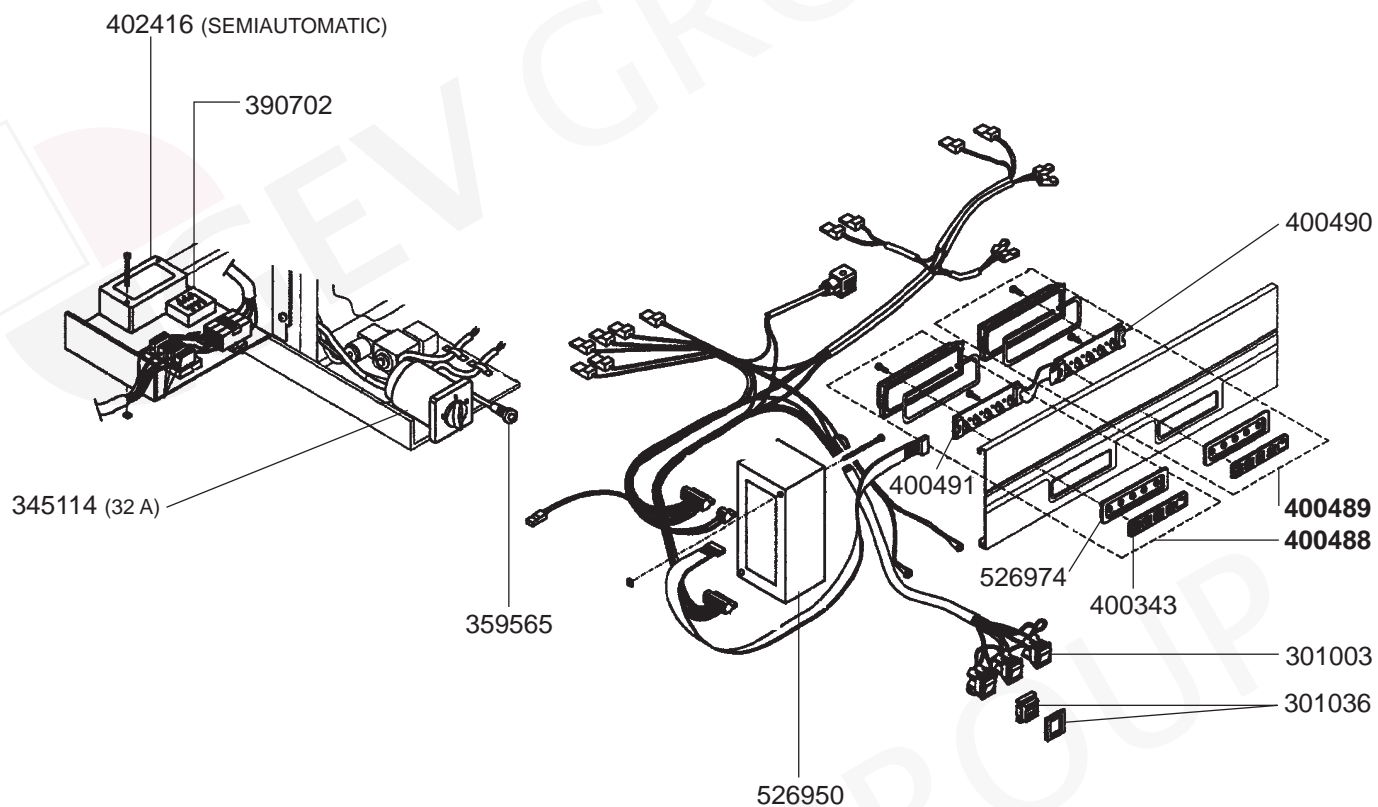
MOD. D



ELECTRICAL COMPONENTS 95



ELECTRICAL COMPONENTS 85



ELECTRICAL COMPONENTS VARIOUS

