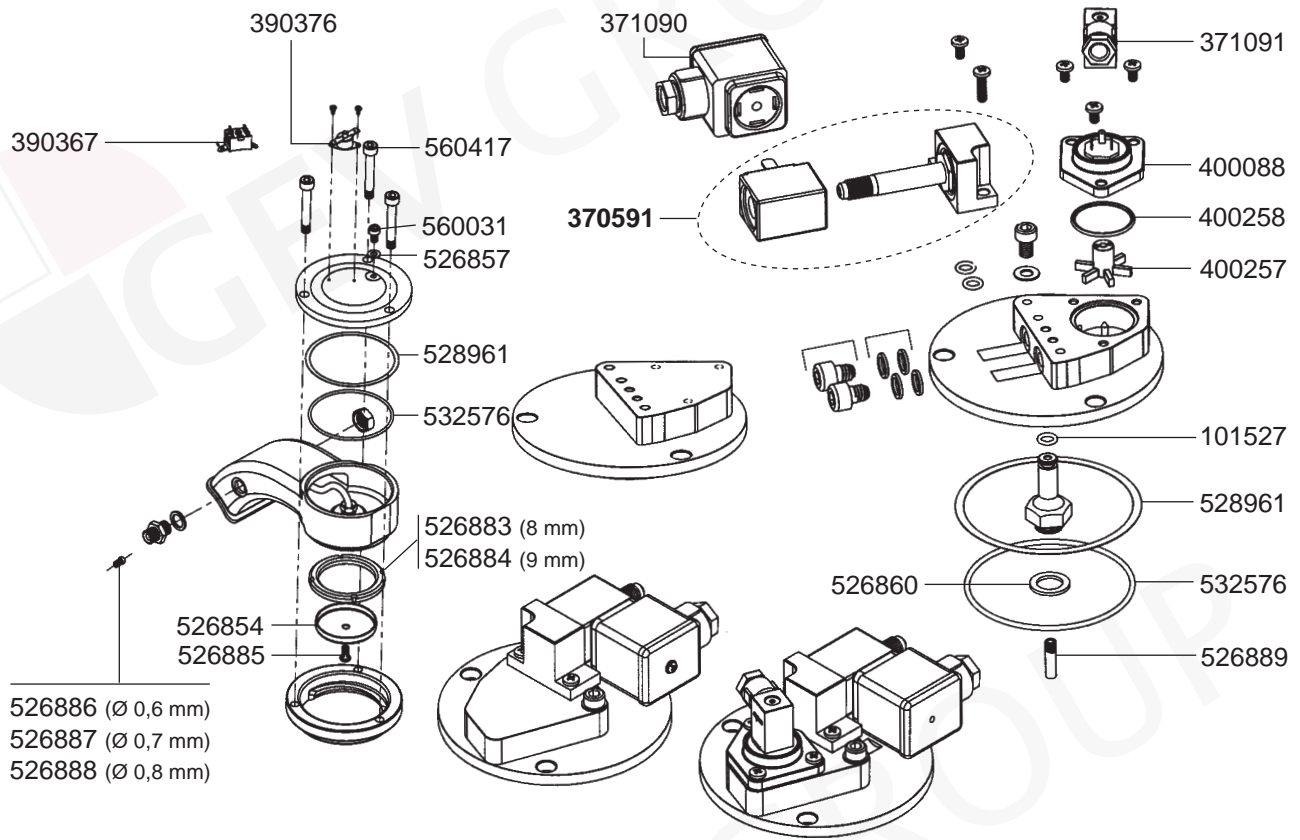
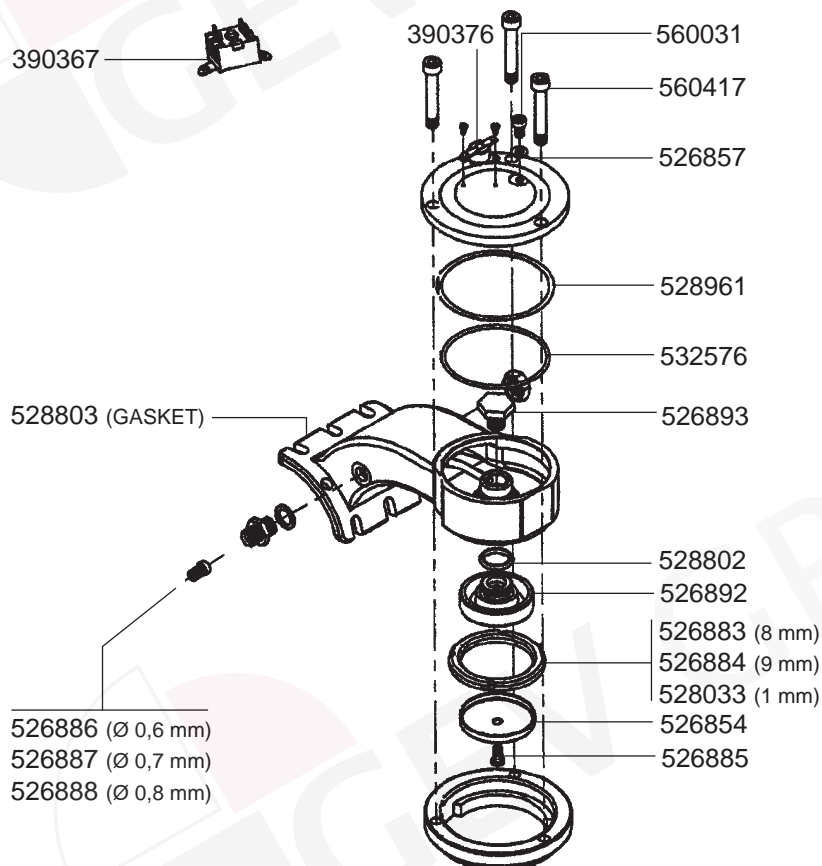


## GB5/FB80/MISTRAL/GS3 GROUP



## LINEA/FB70 GROUP



## FILTER HOLDERS



529204  
(M-12)



529045



525982



529205  
(M-10 15°)



529053



529983



529012 (6 GR)



529014 (12 GR)



529023



529024  
(BLIND)



802020  
(STAINLESS  
STEEL)



802103  
(PLASTIC)



802025  
(Ø 53/57 mm)



802104  
(Ø 49/53 mm)

526897 (7 GR ORIGINAL)

526898 (14 GR ORIGINAL)



529063



529001



529003



529004



529007

527633



527634

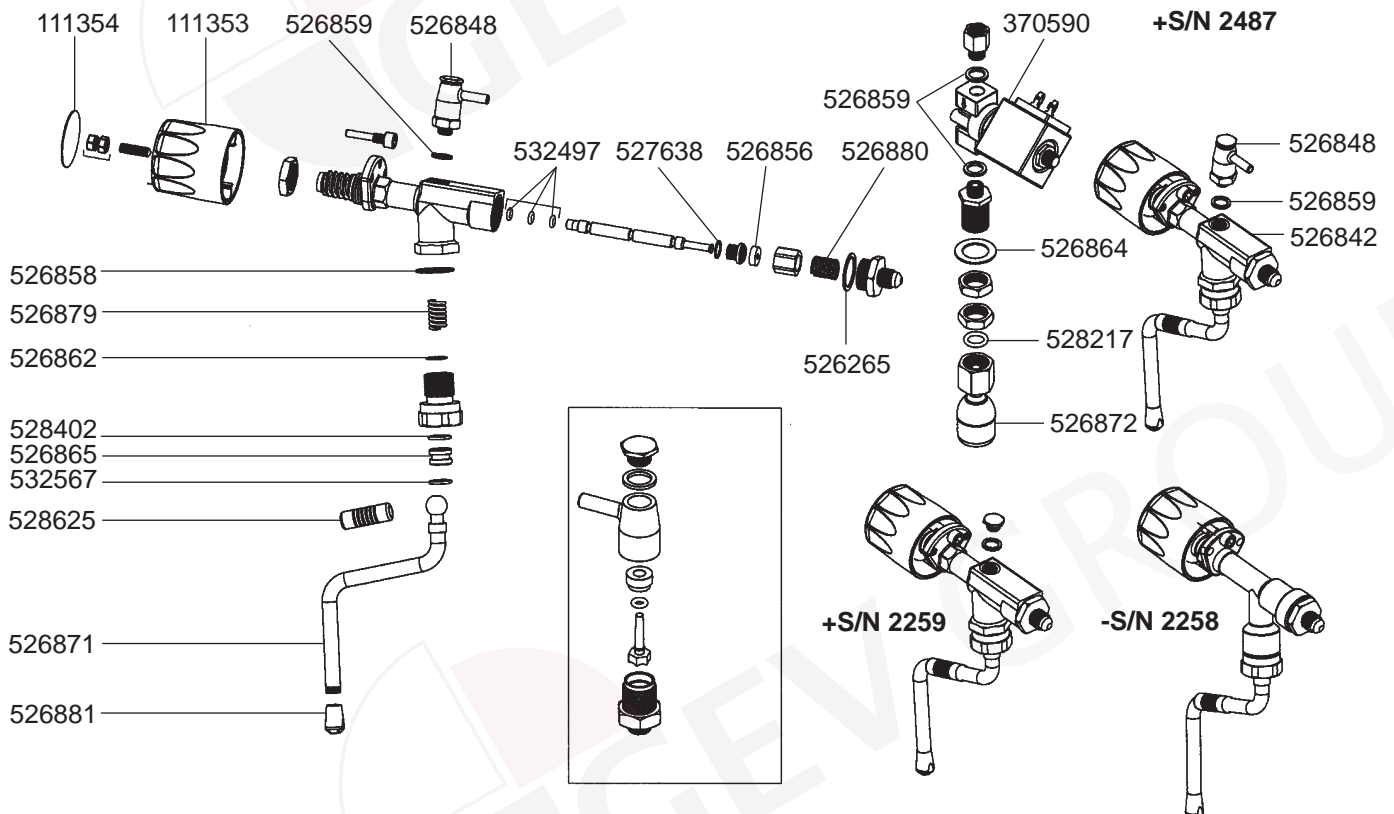


529894

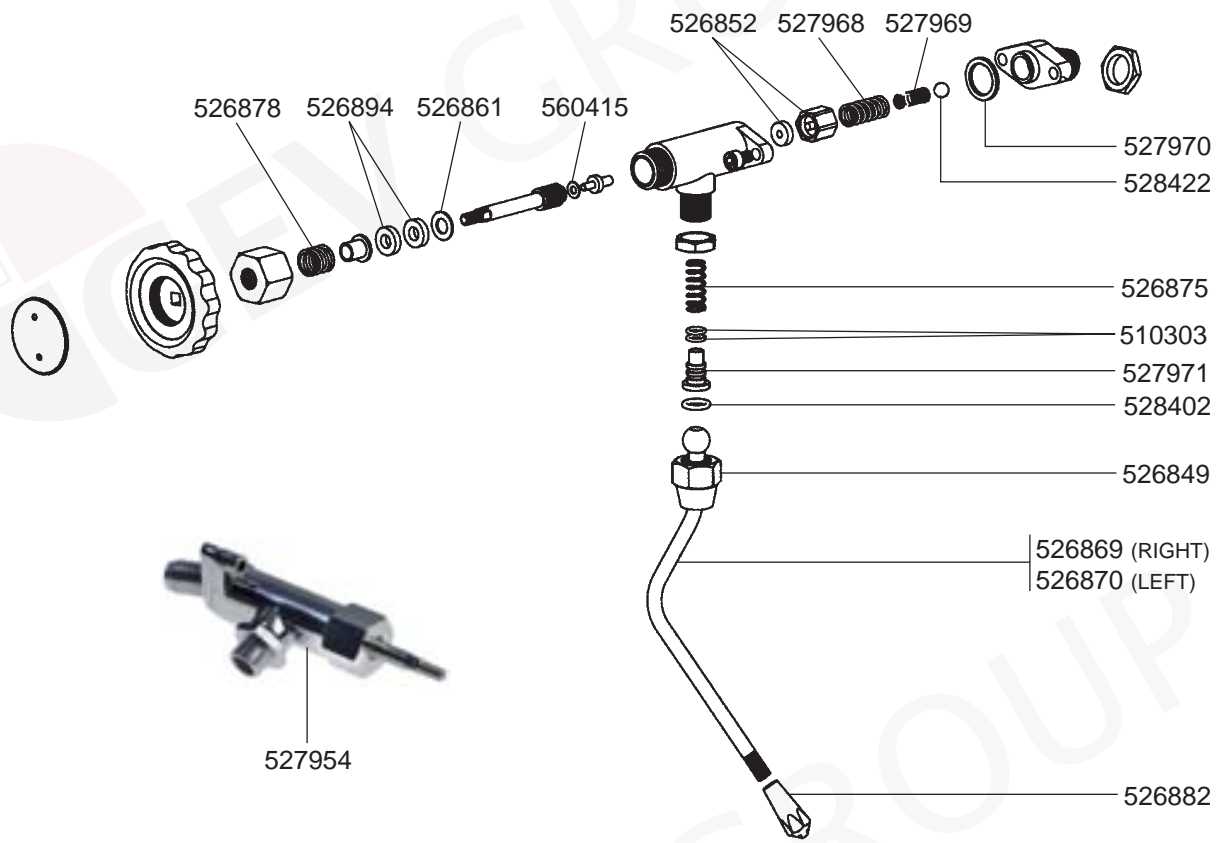


529161  
(ADJUSTABLE)

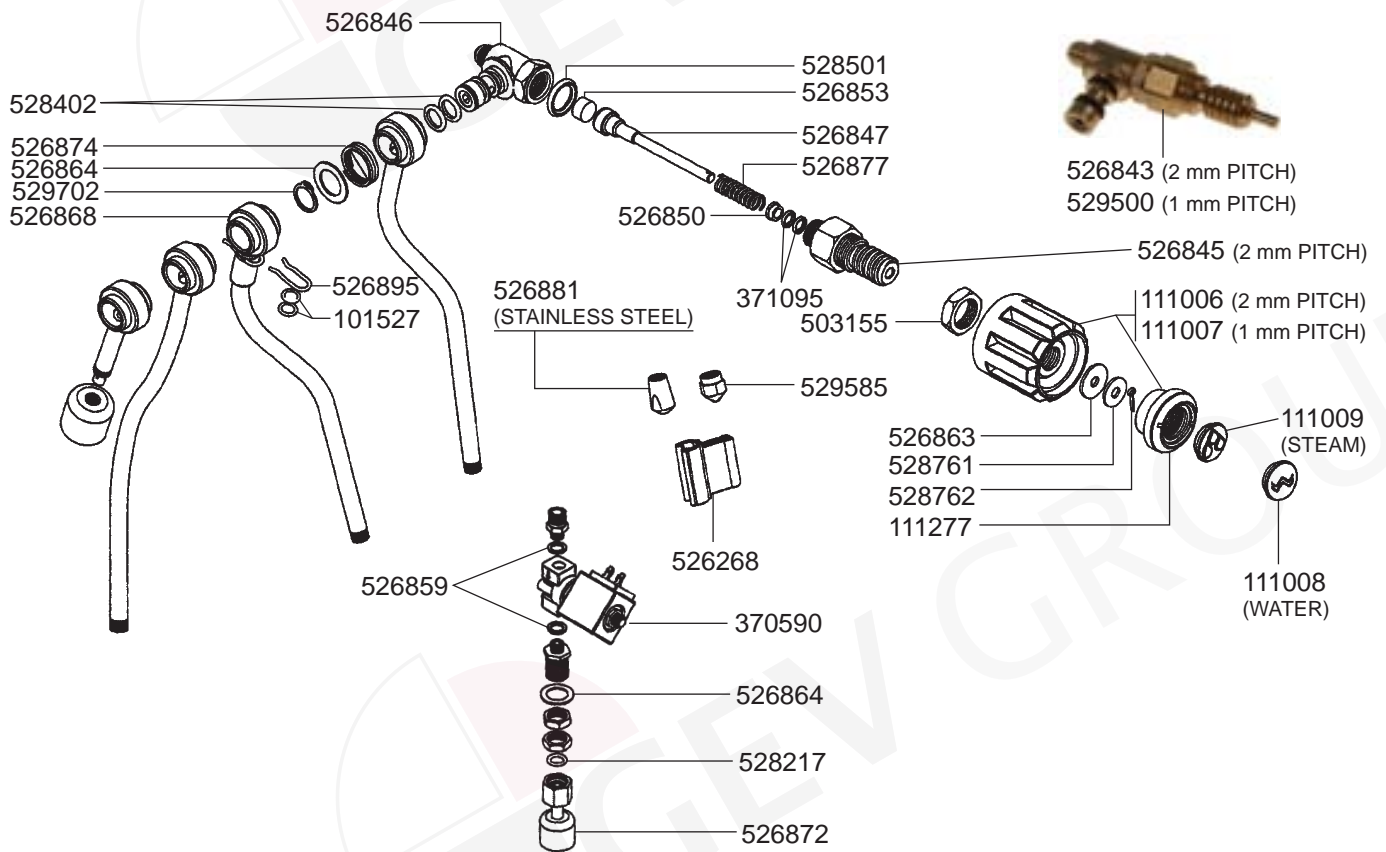
## STEAM/WATER TAPS GB5-FB80



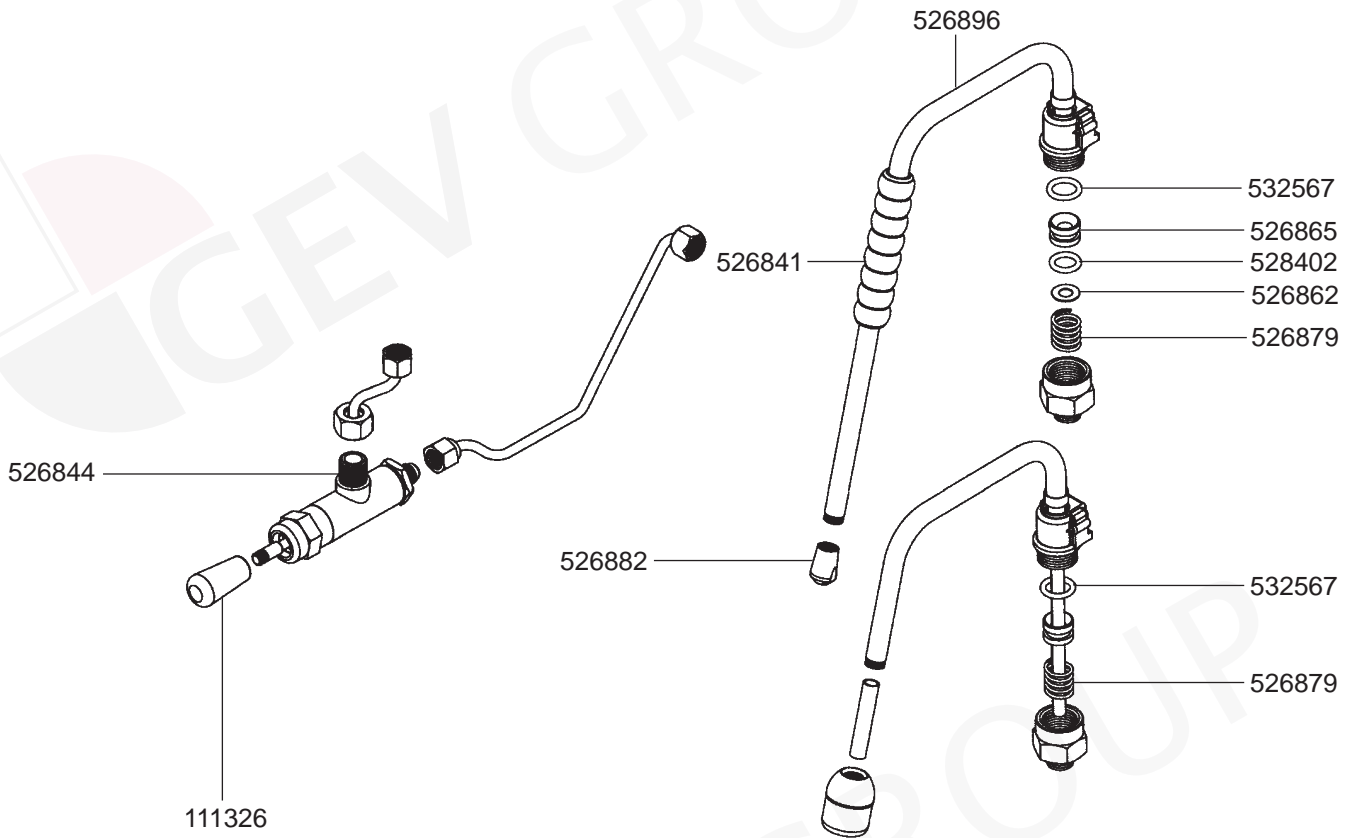
## STEAM TAP MISTRAL



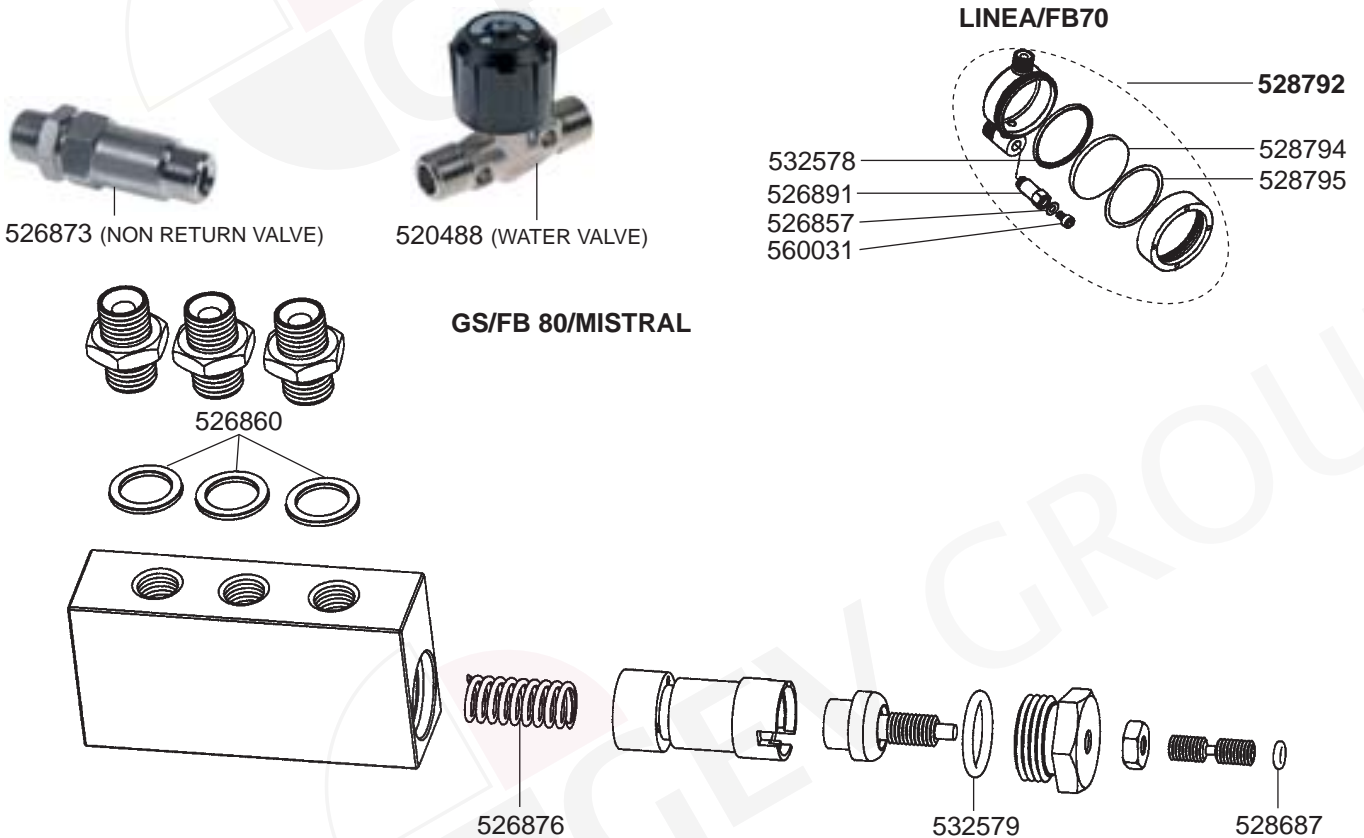
## STEAM/WATER TAPS LINEA-FB70



## STEAM/WATER TAPS GS3



## VALVES/LEVEL INDICATOR



## MANOMETERS/DRIP TRAYS



541761 (0-3 BAR)

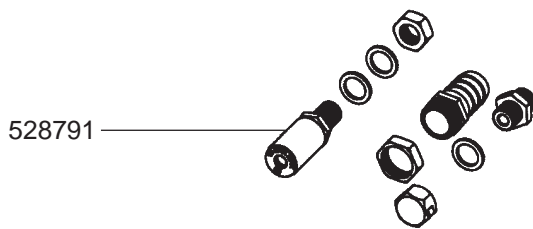


541760 (0-15 BAR)



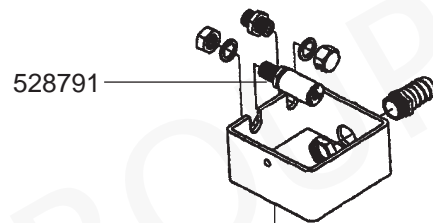
541202

### GB5/FB80



528791

### LINEA/FB70



528791

526866

## BOILER VARIOUS



529312 (3/8")



529316 (3/8")



529303 (1/4")

529361 (1/4")

529349 (3/8")



528171



417395 (2 GR-1400 W-230 VAC)  
417129 (3 GR-1600 W-230 VAC)  
417400 (3 GR-1900 W-230 VAC)

COFFEE



528171



417125 (2 GR-2000 W-230 VAC)  
417399 (3 GR-3000 W-230 VAC)  
417398 (2 GR-3000 W-230 VAC)  
417128 (3 GR-4000 W-230 VAC)

STEAM



528171



417045 (1 GR-1800 W-230 VAC-L = 160 mm)  
417080 (2 GR-2400 W-230 VAC L = 240 mm)  
417125 (2 GR-2000 W-230 VAC L = 290 mm)  
417047 (2 GR-3000 W-230/400 VAC L = 410 mm)  
417128 (3/4 GR-4000 W-230 VAC L = 500 mm)

VARIOUS

COFFEE



532580 (+S/N 126)  
526855 (-S/N 125)



417396 (GS3)

STEAM



532580 (+S/N 126)  
526855 (-S/N 126)



417397 (GS3)

VARIOUS



417126  
(1 GR-1300 W-230 VAC L = 200 mm)

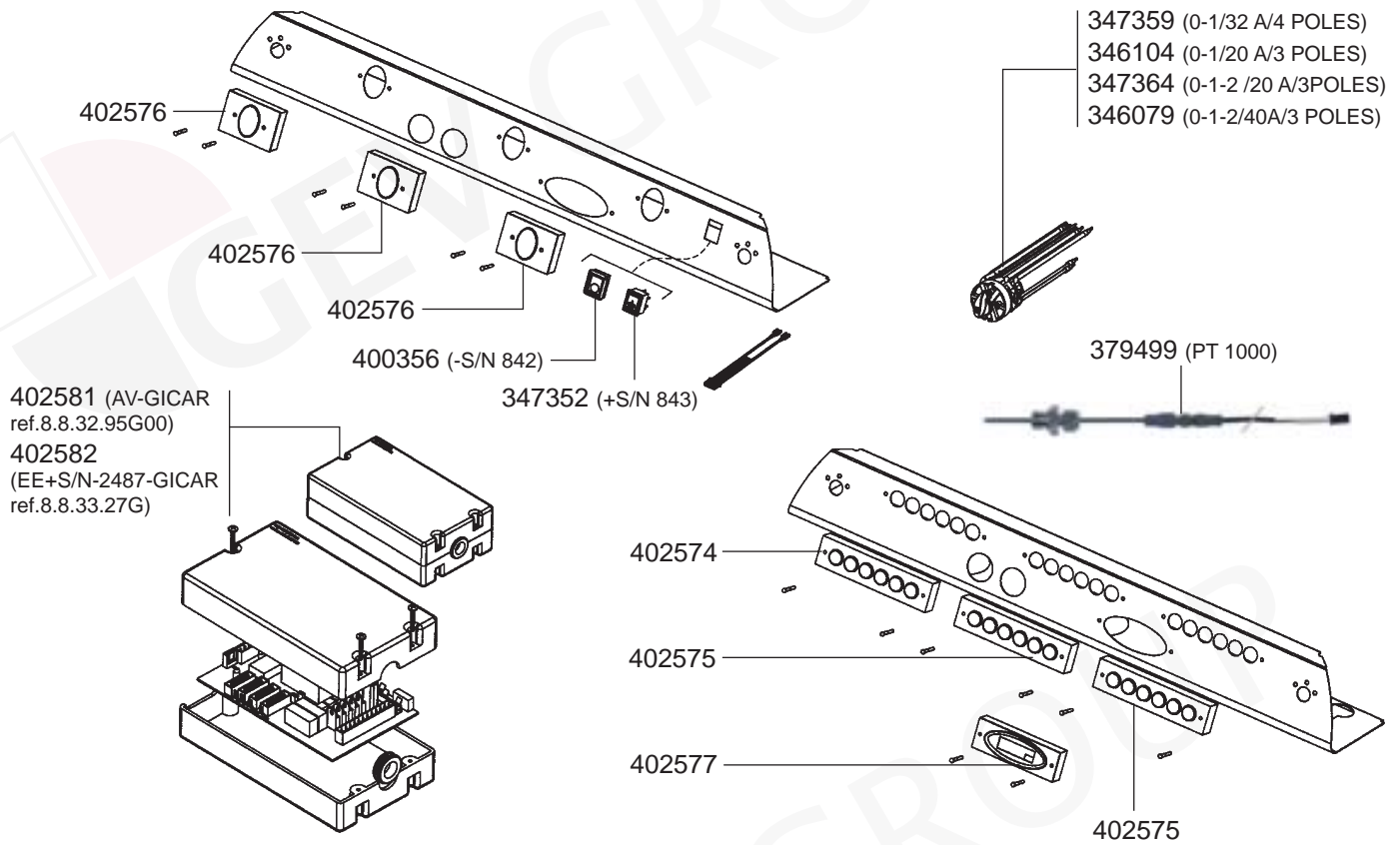


528789

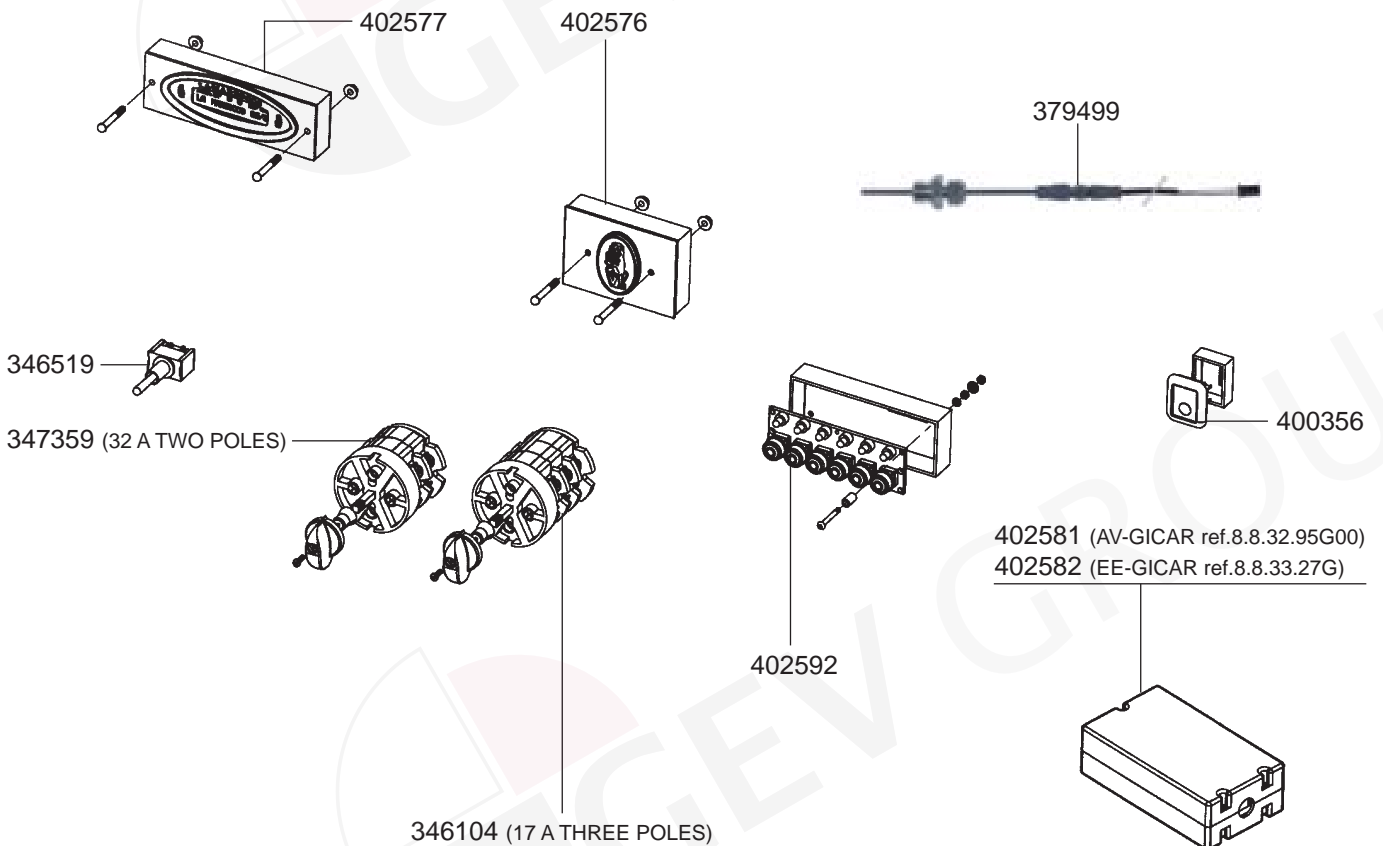
LEVEL PROBE

LA052 (L = 100 mm)  
LA052 (L = 110 mm)

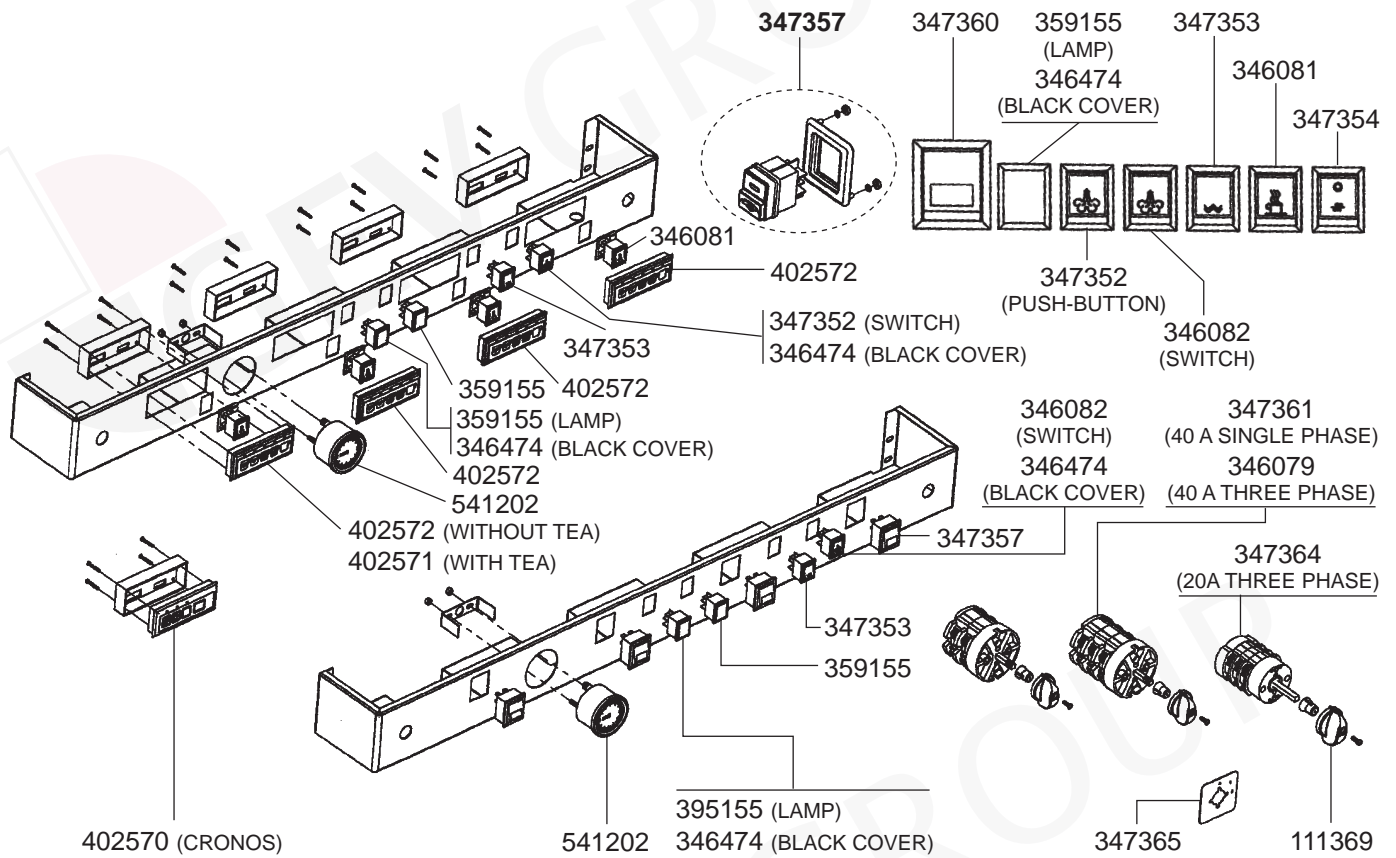
## ELECTRICAL COMPONENTS GB5/FB80



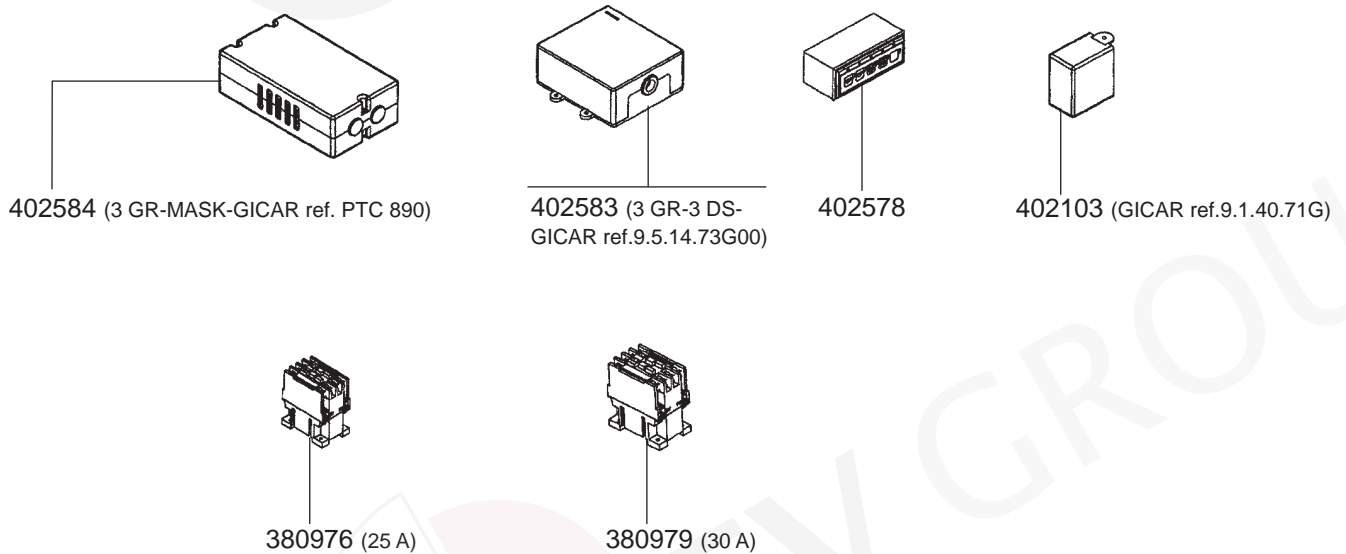
## ELECTRICAL COMPONENTS MISTRAL



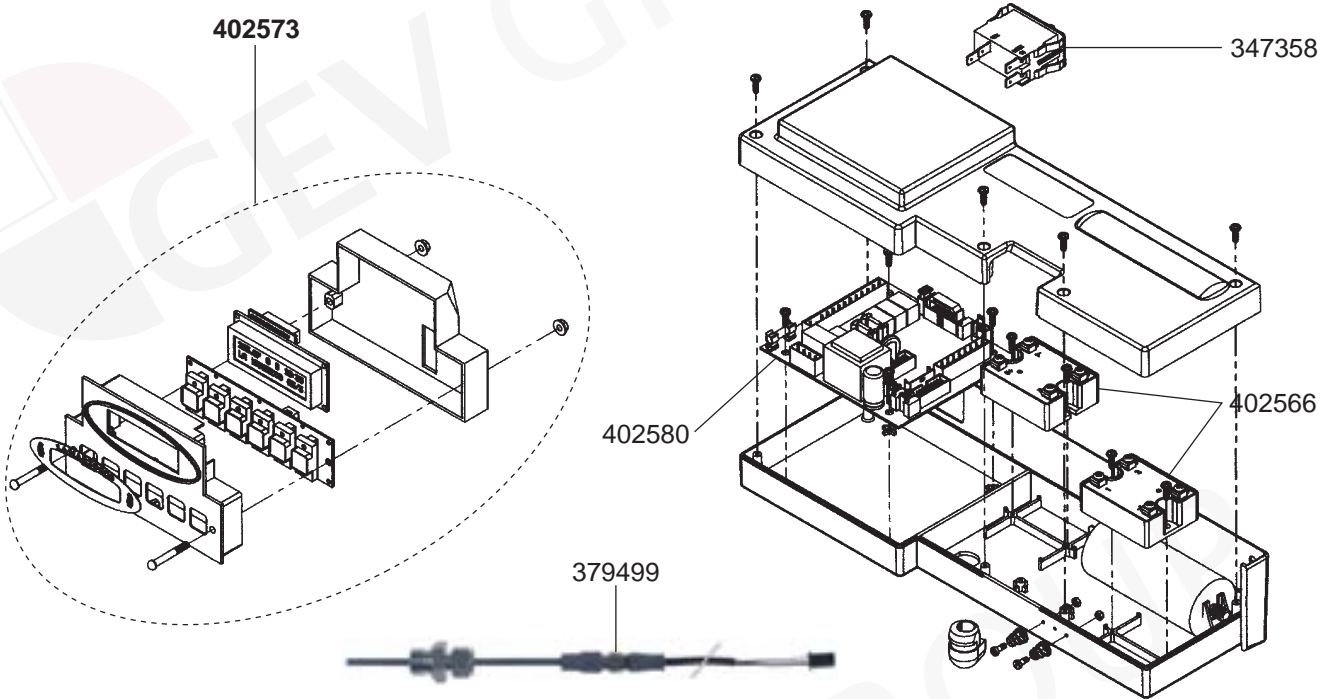
## ELECTRICAL COMPONENTS LINEA/FB70



## ELECTRICAL COMPONENTS LINEA/FB70



## ELECTRICAL COMPONENTS GS3



## ELECTRICAL COMPONENTS VARIOUS





ELECTRICAL COMPONENTS VARIOUS



346081



346082



346083



359155



402103  
(GICAR REF. 9.1.40.71G)



400452  
(GICAR REF. 9.9.12.08G)



400453  
(GICAR REF. 9.9.10.42.G)