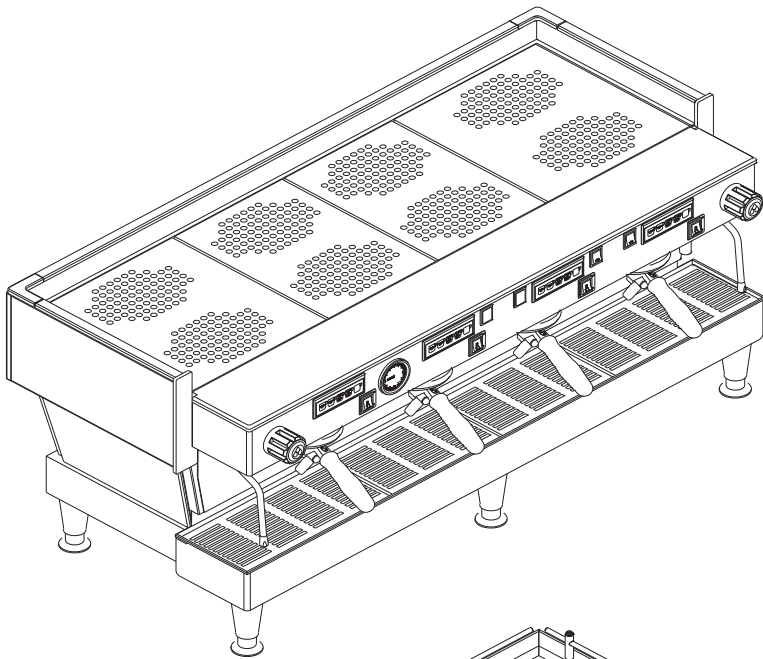
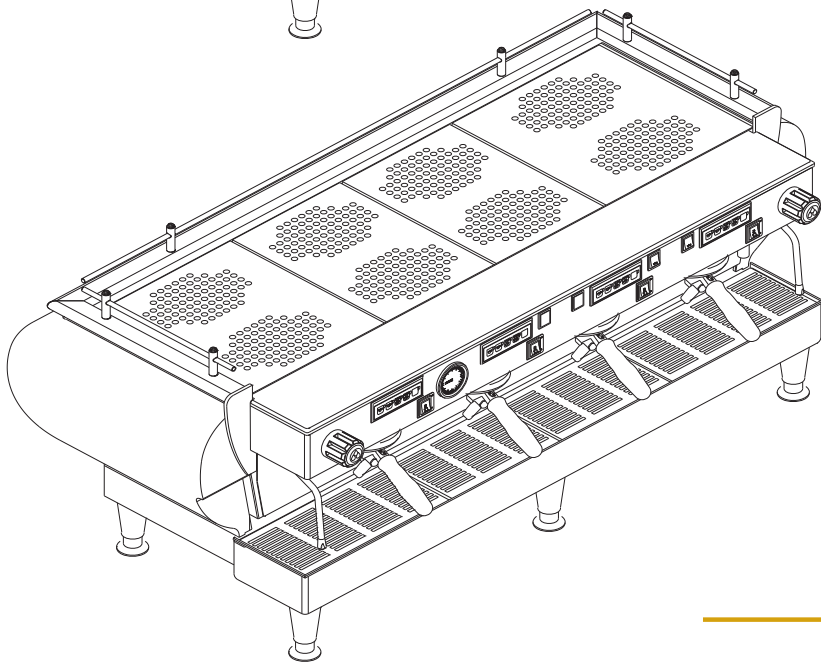




HANDMADE IN FLORENCE



Linea



FB/70

**CATALOGO RICAMBI
PARTS CATALOG**

VERSION 2.0 - 2010



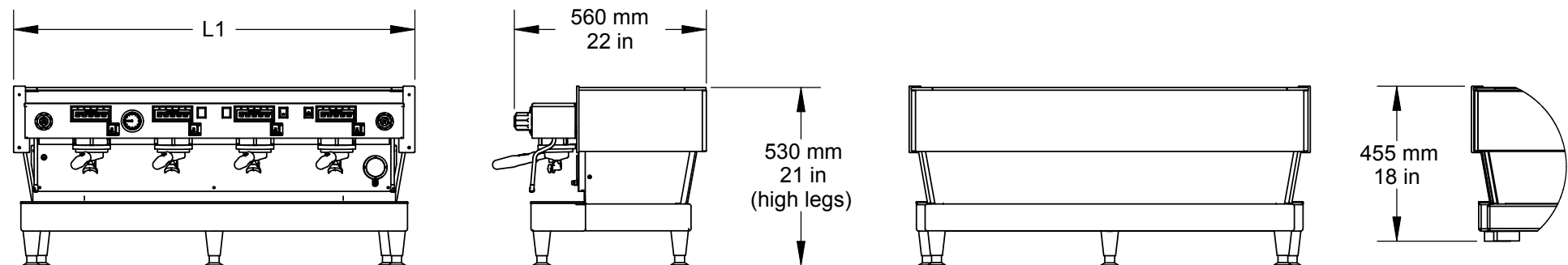
HANDMADE IN FLORENCE

INDEX / INDICE

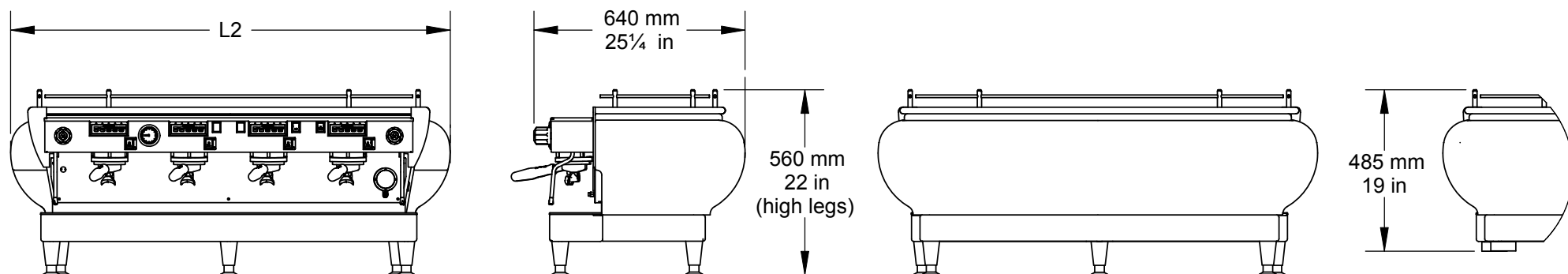
Index / <i>Indice</i>		P.	VER.
		Page / Pagina	Version / Versione
Specifications - Linea & FB/70	<i>Carratteristiche Tecniche</i>	1	2.0
Body Panel Assembly - Linea	<i>Carrozzeria - Linea</i>	3	2.0
Body Panel Assembly - FB/70	<i>Carrozzeria - FB/70</i>	5	2.0
Control Panel Assembly - AV & EE	<i>Pannello di Controllo</i>	7	2.0
Portafilter Assembly	<i>Portafiltri</i>	9	2.0
Steam Wand Assembly	<i>Lancia - Rubinetto Vapore</i>	11	2.0
Group	<i>Gruppo</i>	13	2.0
Group Assembly	<i>Gruppo</i>	15	2.0
Boiler Assembly	<i>Caldaie</i>	17	2.0
Hydraulic Assembly	<i>Impianto Idraulico</i>	19	2.0
Electrical System and Pump	<i>Impianto Elettrico e Pompa</i>	21	2.0
Heating Elements	<i>Resistenze Elettriche</i>	23	2.0
Hoses, Tools and Accessories	<i>Tubi, Utensili & Accessori</i>	25	2.0

Specifications - Linea & FB/70

Linea



FB/70

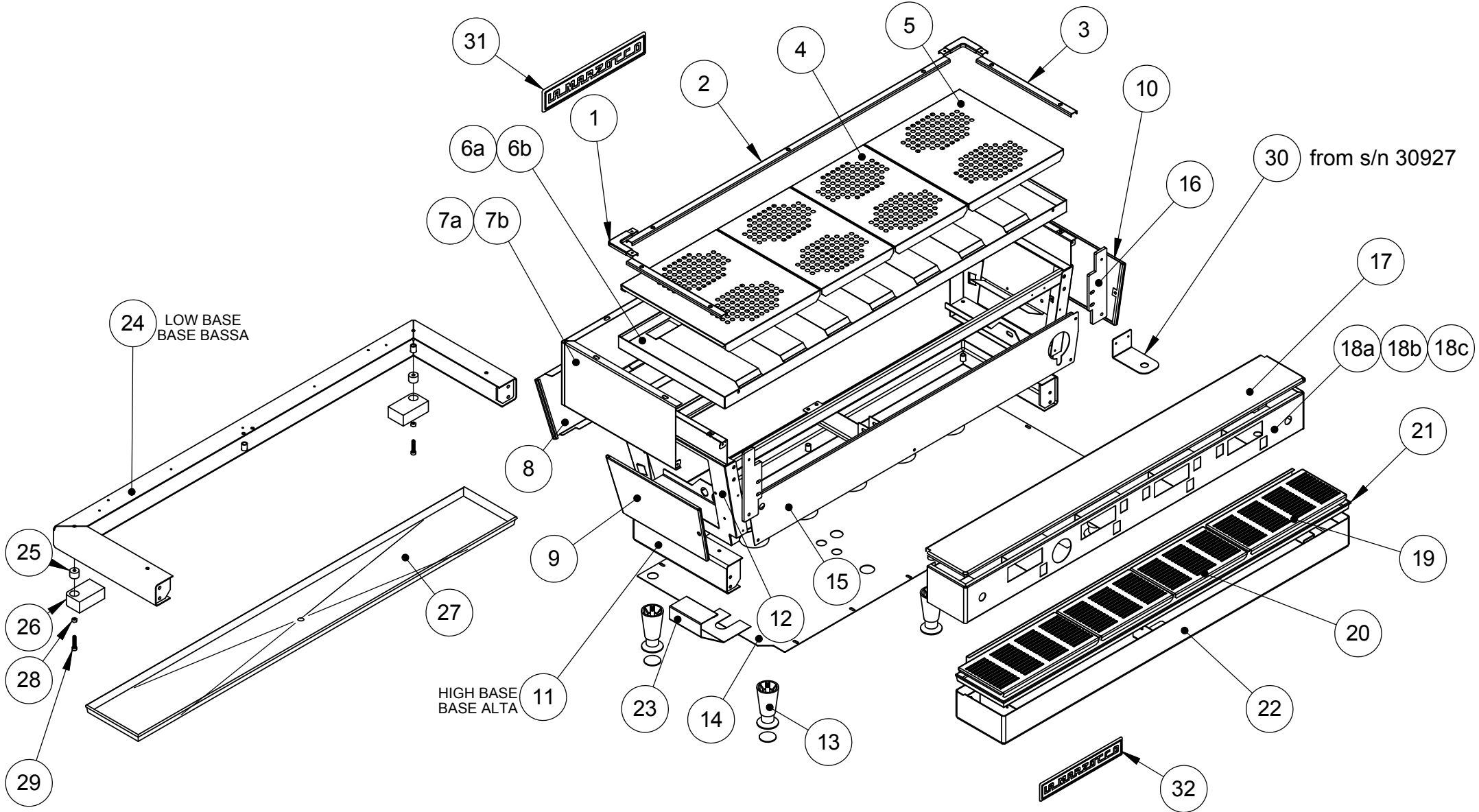


THE CONFIGURATION OF THE MACHINE SHOWN ABOVE IS WITH HIGH BASE, BETWEEN HIGH BASE AND LOW BASE THERE IS A DIFFERENCE OF APPROXIMATLY 25mm
 LA CONFIGURAZIONE DELLA MACCHINA QUI SOPRA ILLUSTRATA E CON BASE ALTA, LA DIFFERENZA TRA BASE ALTA E BASE BASSA E' APROSSIMATIVAMENTE 25mm

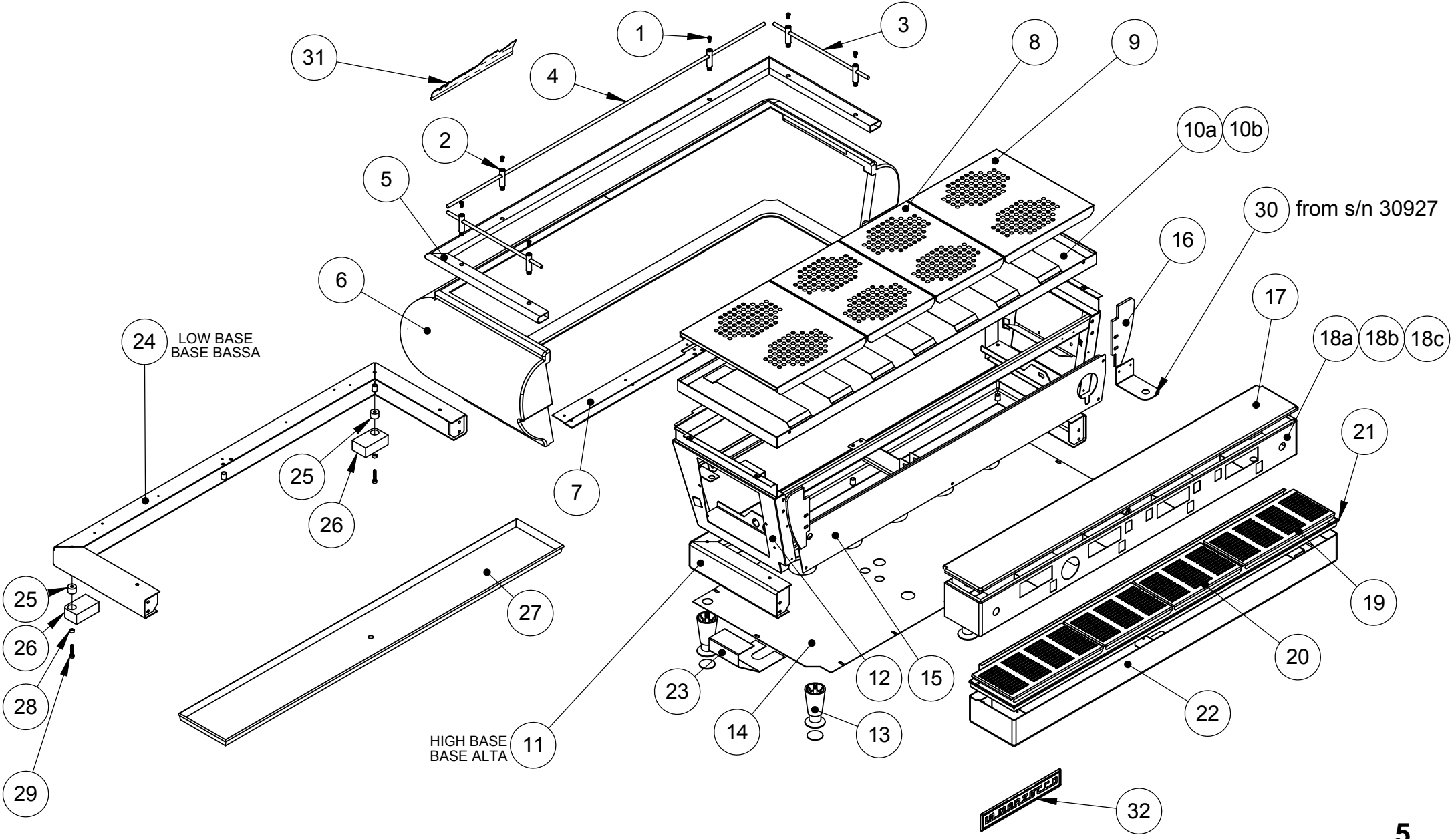
Specifications - Linea & FB/70

Carratteristiche Tecniche	L1 (Linea)	mm	490	690	930	1170	
		in	20	28	37	46	
	L2 (FB/70)	mm	n/a	840	1080	1320	
		in	n/a	33	43	52	
	Machine weight (Linea)	Kg	41	59	73	107	
		lb	90	130	160	236	
	Machine weight (FB/70)	Kg	n/a	71	82	86	
		lb	n/a	157	181	190	
	Shipping weight (Linea)	Kg	64	82	101	129	
		lb	141	181	223	284	
	Shipping weight (FB/70)	Kg	n/a	84	106	119	
		lb	n/a	185	234	262	
	Electrical Voltage	VAC		200VAC Single Phase	200VAC Single Phase	200VAC Single Phase	200VAC Single Phase
				220VAC Single Phase	220VAC Single Phase	220VAC Single Phase	220VAC Single Phase
				380VAC Three Phase	380VAC Three Phase	380VAC Three Phase	380VAC Three Phase
	Coffee Boiler Wattage	Low	W	1000 Watts	1400 Watts	1600 Watts	2800 Watts
		High	W	1000 Watts	1400 Watts	1900 Watts	2800 Watts
	Steam Boiler Wattage	Low	W	1300 Watts	2000 Watts	3000 Watts	3800 Watts
High		W	1300 Watts	3000 Watts	4000 Watts	5000 Watts	
Total Wattage		W	2500 Watts	3600/4600 Watts	4800/6100 Watts	6800/8000 Watts	
Required Available Amperage		A	15 amps	25 amps	35 amps	45 amps	
Coffee Boiler Capacity		liters	1,8	3,4	5,0	6,8	
Steam Boiler Capacity (liters)		liters	3,5	7,0	11,0	15,0	
Total Capacity (liters)		liters	5,3	10,4	16,0	21,8	
Machine configuration			1Gr	2Gr	3Gr	4Gr	

Body Panel Assembly - Linea



Body Panel Assembly - FB/70

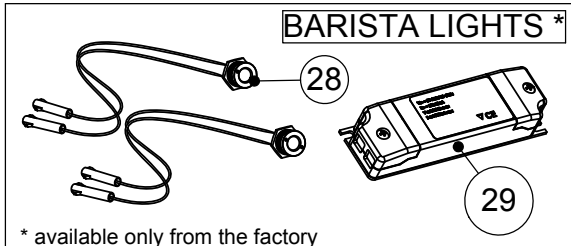


Body Panel Assembly - FB/70

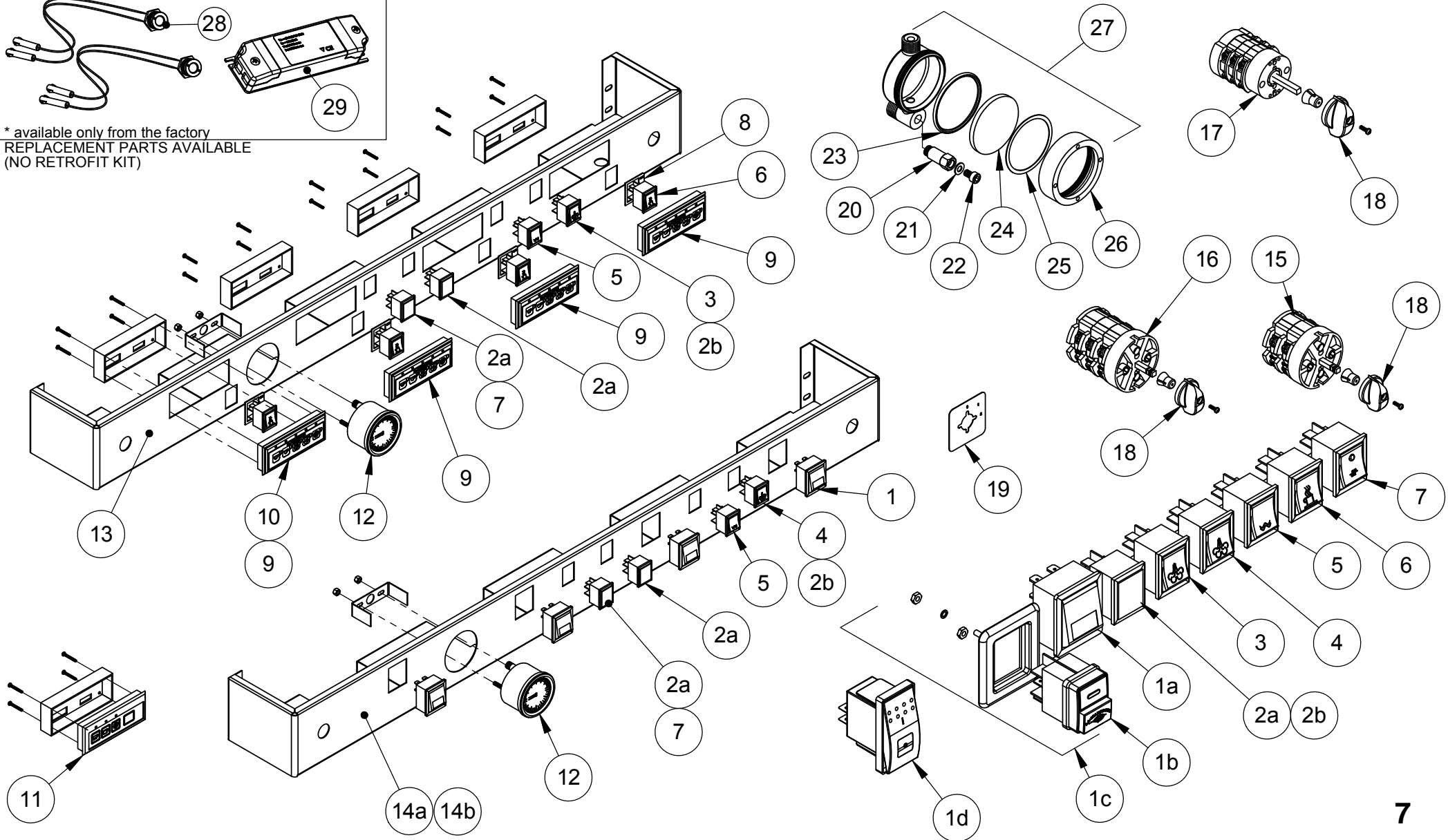
Carrozzeria - FB/70

1	C027/PS	set screw M6X1 X 6mm, SS	grano acc.inox 6x6
2	C027/P	post, railing, FB70	perno ringhiera cromato
3	C027/L	railing, top side FB70	ringhiera laterale sup
4	C027/*	railing, top rear, FB70, *Gr	ringhiera superiore, *Gr
5	C024/*V	trim, top, 1pc, black, *Gr	cornice superiore verniciato, *Gr
6	C023/*V	body, painted, FB70 red	frontale per FB70 verniciato, 2 a 4 gruppi
7	C023/*ST	bracket, front, FB70 body, *Gr	staffa per frontale FB70, *Gr
8	CL20/M	grate, cup tray, 240 mm	piano portatazze superiore intermedio
9	CL20	grate, cup tray, 320 mm	piano portatazze superiore laterale
10a	CL19/*	cup tray, *Gr	vassoio scaldatazze, *Gr
10b	CL19/* A	cup tray assembly, *Gr (with hole guards)	vassoio scaldatazze, *Gr
11	CL02/*N A	high base, rear, black, FB70, 79mm	base alta, 1 a 4 gruppi, colore nero
12	CL03/*FB	frame complete, *Gr, FB70	telaio FB70, *Gr
13a	CL001/1	NSF leg	gamba alta regolabile
13b	CL001/1G	pad, rubber, for high leg	gommini per gambe alte
14	CL03/*PR	bottom plate, *Gr	schermatura inferiore, *Gr
15	CL16/*	panel, sight glass, *Gr	pannello manovra, *Gr
16	C013/DS V	trim, frame, front, FB70	fiancatina dx/sx colore nero
17	CL15/*	cover, control panel, *Gr	copertura carenatura, *Gr
18a	CL14/*AV	control panel, av, *Gr	carenatura, av, *Gr
18b	CL14/*EE	control panel, ee, *Gr	carenatura, ee, *Gr
18c	CL14/*USA	control panel, USA, *Gr	carenatura, USA, *Gr
19	CL18	grate, drain tray, 320 mm	portatazze inferiore laterale
20	CL18/M	grate, drain tray, 240 mm	portatazze inferiore intermedio
21	CL17/*A	drain tray, *Gr, high	vaschetta scarico per base alta, *Gr
22	CL01/*	base front, *Gr	basamento ant. 1 a 4 gruppi acc. Inox, *Gr
23	CL29	pitcher stand	staffa per bricco
24	CL02/*N	low base, rear, black, FB70, 55mm, *Gr	base bassa, *Gr, colore nero
25	CL00	leg support	supporto piedini
26	CL001	leg, rubber (low)	zoccolino in gomma
27	CL17/*	drain tray, *Gr, low	vaschetta scarico, *Gr
28	DADO6M	zinc nut M6	dado fe zincato 6M
29	I.1.013	6X30 bolt socket head	bullone 6X30 testa brugola
30	CL04	hot water bracket	staffa acqua calda
31	CL025	back logo plate FB/70	targhetta "La Marzocco" posteriore FB/70
32	CL28	front logo plate	targhetta "La Marzocco" anteriore
Item	Part Number/Codice	DESCRIPTION	DESCRIZIONE
* = number of groups / numero gruppi			

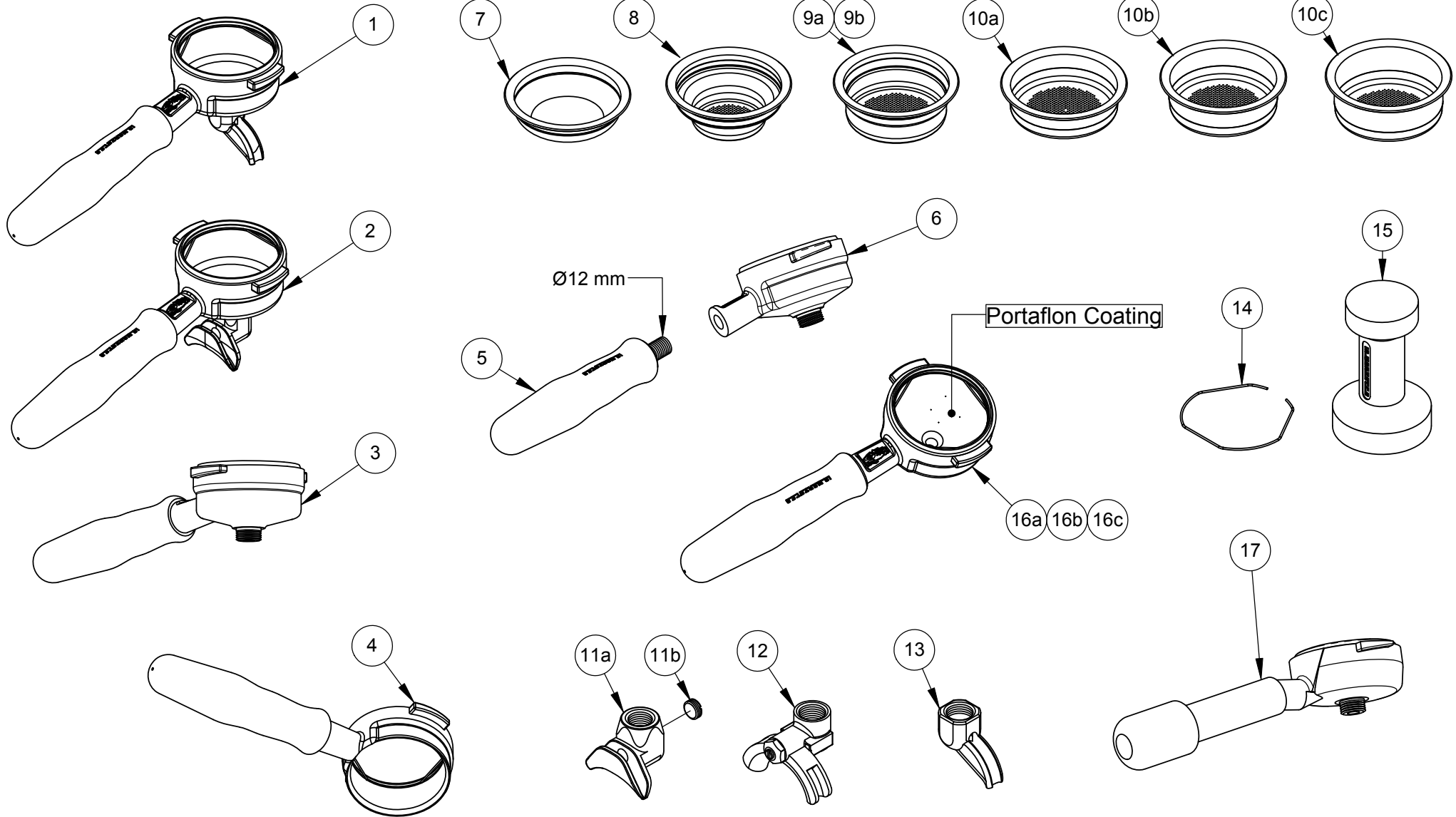
Control Panel Assembly - AV & EE



* available only from the factory
REPLACEMENT PARTS AVAILABLE
(NO RETROFIT KIT)



Portafilter Assembly



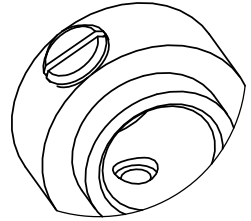
Portafilter Assembly

Portafiltri	1	L111/1	portafilter with 1 cup spout	portafiltro 1 tazza
	2	L111/2N	portafilt. 2 cup non-adj. spout	portafiltro 2 tazze fisso
	3	L111/LM12	portafilter with lion complete	portafiltro con leone completo
	4	L111/X	"naked" portafilter	portafiltro "nudo"
	5	L112/G12	portaf. handle - rubber Ø12mm	manopola portaf. gomma Ø12mm
	6	L111/M12	portafilter with lion (no handle)	portafiltro con leone M12 (senza manico)
	7	L115/C	blind filter	filtro cieco per lavaggio
	8	L115/A	filter 1 cup	filtro a 1 tazza
	9a	L116/A	filter 2 cups	filtro a 2 tazze
	9b	L116/A/S	filter 2 cups for Swift model Single & Double	filtro a 2 tazze per Swift modello Singolo e Doppio
	10a	5.128	19mm filter basket Swift	19mm filter basket Swift
	10b	5.127	22mm Swift filter basket	filtro swift 22mm
	10c	5.133	triple filter basket	triple filter basket
	11a	L119	La Marzocco fixed double spout	beccuccio a due tazze fisso La Marzocco
	11b	L119/V	screw for double spout	vite per beccuccio a due tazze
	12	L116/R	2 cups spout - adjustable	beccuccio a 2 tazze regolabile
	13	L115	1 cup spout	beccuccio a 1 tazza
	14	L113	portafilter spring	molletta fermafiltro
	15	L117	coffee tamper	pressino in nylon
	16a	L111/1TF	Portaflon-coated portafilter	portafiltro 1 tazza "Portaflon"
16b	L111/2NTF	2 cups portafilter Portaflon-coated	portafiltro 2 tazze fisso "Portaflon"	
16c	L111/LM12TF	portafilter with lion with Portaflon	portafiltro con leone completo "Portaflon"	
17	L111/15D	15° inclined portafilter	portafiltro inclinato 15° n.r. completo di manopola	
<i>Item</i>	<i>Number/Codi</i>	<i>Description</i>		<i>Descrizione</i>

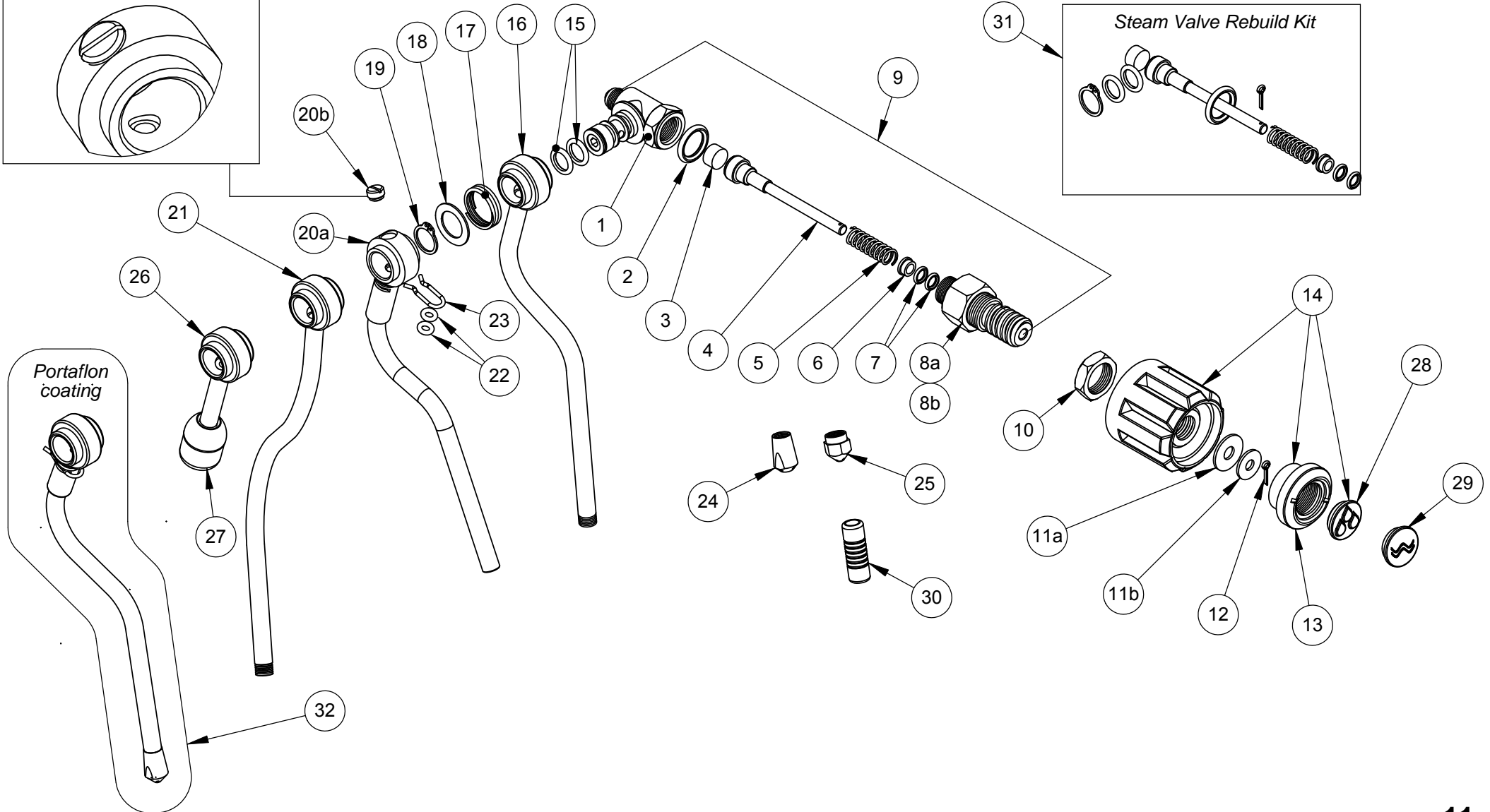


HANDMADE IN FLORENCE

Ready for Antisuction Valve
from machine s/n 31290



Steam Wand Assembly

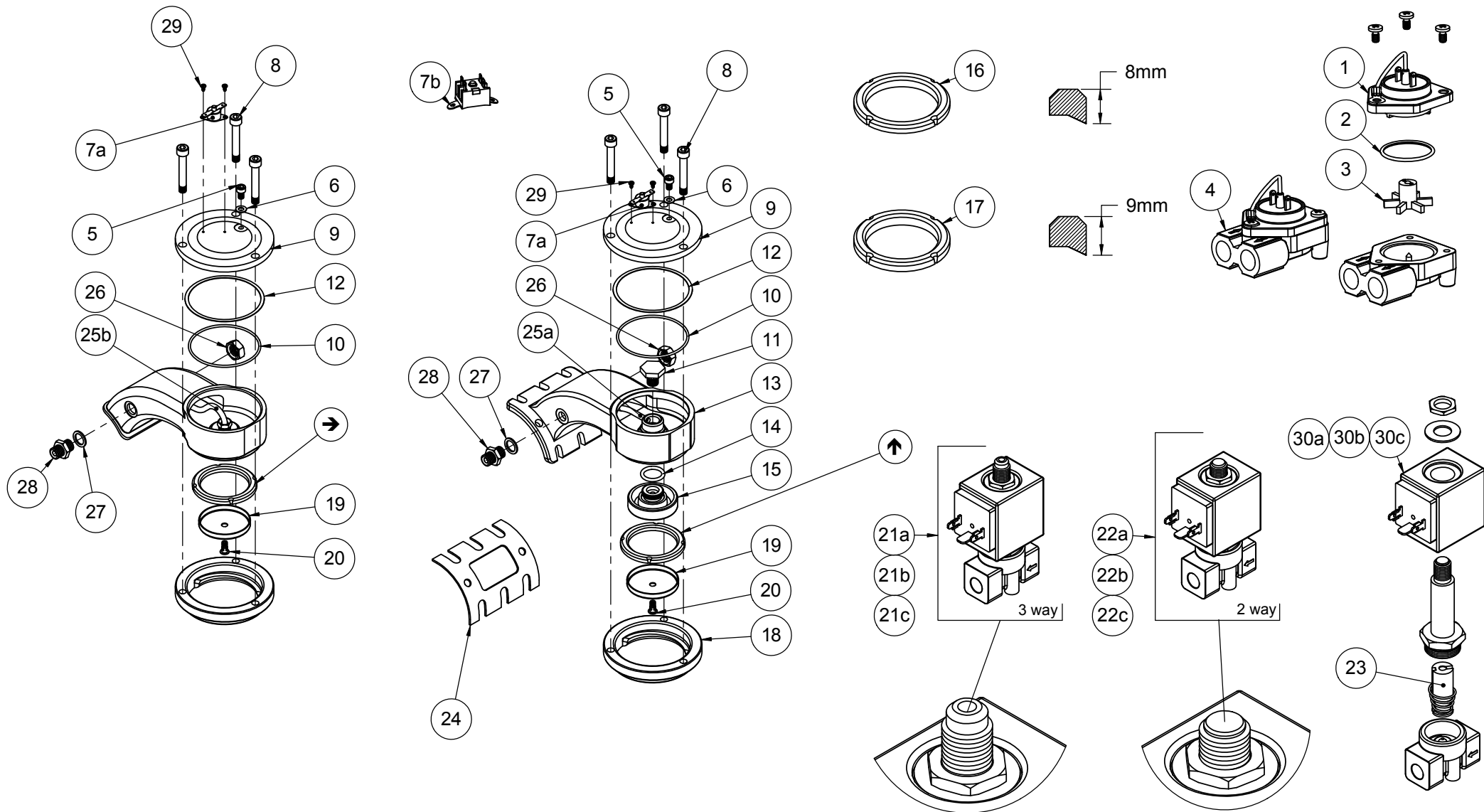


Steam Wand Assembly

Lancia - Rubinetto Vapore

1	L167	steam valve body	corpo rubinetto
2	L167/1	copper crush washer	rondella ottone x snodo
3	L165/5	seat gasket	guarnizione piana x stelo rubinetto
4	L169	steam valve shaft with seat gasket	stelo rubinetto con guarn. Piana
5	L165/4	spring, steam valve shaft	molla ritorno stelo
6	L165/7	bushing, steam valve shaft	bussola ottone x stelo
7	L165/6	o-ring, steam valve shaft	guam. or 85 viton x stelo rubinetto
8a	L168	housing, steam valve shaft, 2mm	raccordo rubinetto passo lungo
8b	L168/0	housing, steam valve shaft, 1mm	raccordo rubinetto passo corto
9	L165	steam valve assembly, 2mm pitch	rubinetto vapore passo lungo
10	L168/1	mounting nut, steam valve	dado 1/2" bloccaggio rubinetto
11a	L165/9B	brass washer, steam valve knob	rondella ottone 21x 6x1,5
11b	L165/9	washer, steam valve knob	rondella zincata 18x16x1,5
12	L165/8	cotter pin, steam valve knob	copiglia fermo volantino
13	L165/M	bezel, steam knob, black	ghiera per volantino
14	L165/V	steam valve knob with insert	volantino passo lungo + ghiera
15	L167/2	o-ring, steam wand	guam. or 8-9 viton x snodo
16	L170/DX.R	steam wand, ss, 60 right (custom)	tubo vapore sx. fisso lungo
17	L165/1	spring, steam wand	molla snodo vapore
18	L165/2	washer, steam wand	rondella ottone x snodo
19	L165/3	retaining ring, steam wand	anello seeger x snodo
20a	L171.R	steam wand assembly	tubo vapore fisso completo
20b	L171.T	cap for steam wand	tappo x tubo vapore
21	L170/SX.R	steam wand, ss, 60 left (custom)	tubo vapore dx. fisso
22	L171/2	o-ring viton steam valve swivel	guarnizione or viton per tubo vapore
23	L171/3	hair pin cotter, steam wand	copiglia per tubo vapore
24	L173	tip, steam wand, ss	spruzzatore inox x tubo vapore
25	L172	steam wand tip, linea	spruzzatore x tubo vapore 1/8"
26	TL18	tube, hot water, 1 group	tubo acqua calda 1gr. acc.inox
27	L160	spout, for hot water, chrome plated	rompigetto cromato
28	L165/MV	bezel insert, steam knob, white	tappo simbolo vapore
29	L165/MA	bezel insert, hot water, white	tappo simbolo acqua calda
30	L171/G	rubber steam tube cover	gommino antiscottatura tubo vapore
31	L165/K	steam valve rebuild kit	kit rubinetto vapore
32	L171TF.R	steam wand portafion-coated complete swivel	tubo vapore girevole completo portafionato
Item	Part Number/Codice	DESCRIPTION	DESCRIZIONE

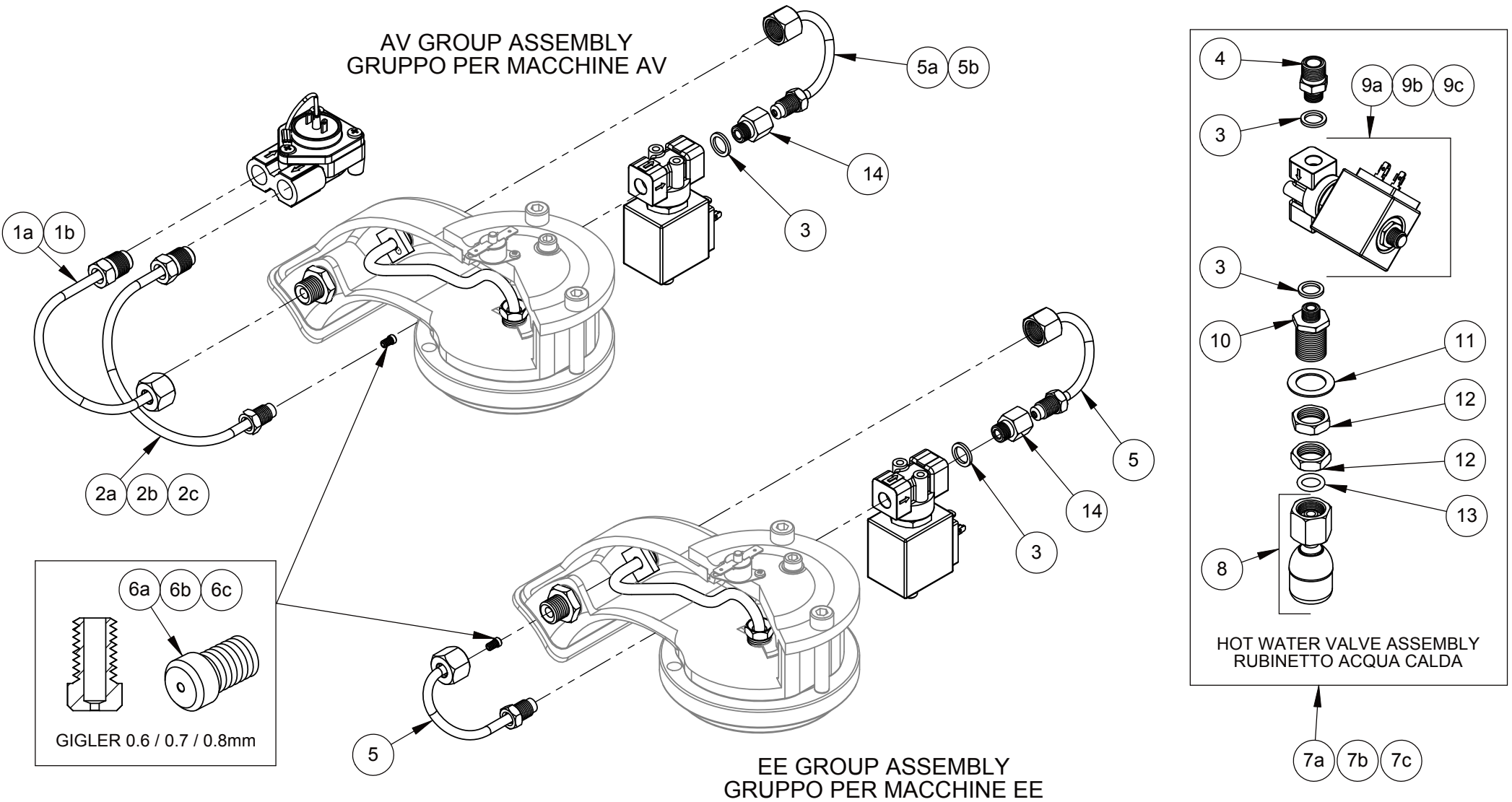
Group



Group

Gruppo	1	LAD070/S	flow meter sensor	testa per contatore volumetrico
	2	LAD070/S1	flow meter o-ring	guarn. or 8-2112 V. contatore volumetrico
	3	LAD070/V	flow meter impeller	girante per contatore volumetrico
	4	LAD070	flow meter assembly, complete	contatore volumetrico
	5	L120/2	bleed screw	bullone acc.inox 6x10 t.brug.
	6	L120/2A	bleed screw copper washer	rondella rame 12x6x1
	7a	L276	manual reset thermostat 250°F (single pole) (UL)	termostato sicurezza 130° cent. unipolare
	7b	L276/B	manual reset thermostat 250°F (bipolar) (CE)	termostato sicurezza 130° cent. bipolare
	8	L110	group bayonet bolt	bullone 8x55 t.brugola
	9	L103	group cover	coperchio gruppo cromato
	10	L103/A	group cover o-ring	guarnizione or 8-2-151 viton
	11	L100/3	banjo bolt	dado a stelo es.24mm
	12	L103/B	group fiber gasket	guarn. piana 87x81x0,5
	13	L100	group body	corpo gruppo cromato
	14	L105/A	diffuser o-ring	guarnizione or 8-126
	15	L105	diffuser	sede diffusore
	16	L105/B8	8mm group gasket (standard)	guarn. sottocoppa 8mm (standard)
	17	L105/B9	9mm group gasket	guarn. sottocoppa 9mm
	18	L109	bayonet ring	anello portacoppa cromato
	19	L107	diffuser screen	doccetta
	20	L106/V	diffuser screw	vite diffusore acc. inox dm.10
	21a	L100/E	solenoid valve assembly, 3 way, 220V	elettrovalvola 3 vie, 220V
	21b	L100/E200	solenoid valve assembly, 3 way, 200V	elettrovalvola 3 vie, 200V
	21c	L100/E240	solenoid valve assembly, 3 way, 240V	elettrovalvola 3 vie, 240V
	22a	L053	solenoid valve assembly, 2 way, 220V	elettrovalvola 2 vie, 220V
	22b	L053/200	solenoid valve assembly, 2 way, 200V	elettrovalvola 2 vie, 200v
	22c	L053/240	solenoid valve assembly, 2 way, 240V	elettrovalvola 2 vie, 240v
	23	L100/H	solenoid plunger, 3 way and 2 way	nucleo mobile x elettrovalv. 3 vie o 2 vie
	24	L100/A	gasket, group to boiler, VITON	guarnizione flangia gruppo in VITON
	25a	TL27	tube, banjo	tubo alimentazione interno gruppo
	25b	TL29	tube, internal group	tubo interno gruppo
	26	L100/5	locknut, 1/4" for TL27	controdada 1/4" gas es.20
	27	L100/1A	copper washer, 19X13.5X1.5	rondella rame 19X13,5X1,5
28	L037/3	fitting, 1/4" BSPP to 1/4" BSPP	nipplo 1/4"M. es.19 nichelato	
29	VITEAUT2,9X4,5	#6 X 7/8" tri lobe self tap phillips	vite autofilet. fe.zin 2,9X4,5 testa cilindrica croce	
30a	L100/G	solenoid coil, 220V	bobina a 220V x elettrovalvola	
30b	L100/G200	solenoid coil, 200V	bobina a 200V x elettrovalvola	
30c	L100/G240	solenoid coil, 240V	bobina a 240V x elettrovalvola	
Item	Part Number/Codice		DESCRIPTION	DESCRIZIONE

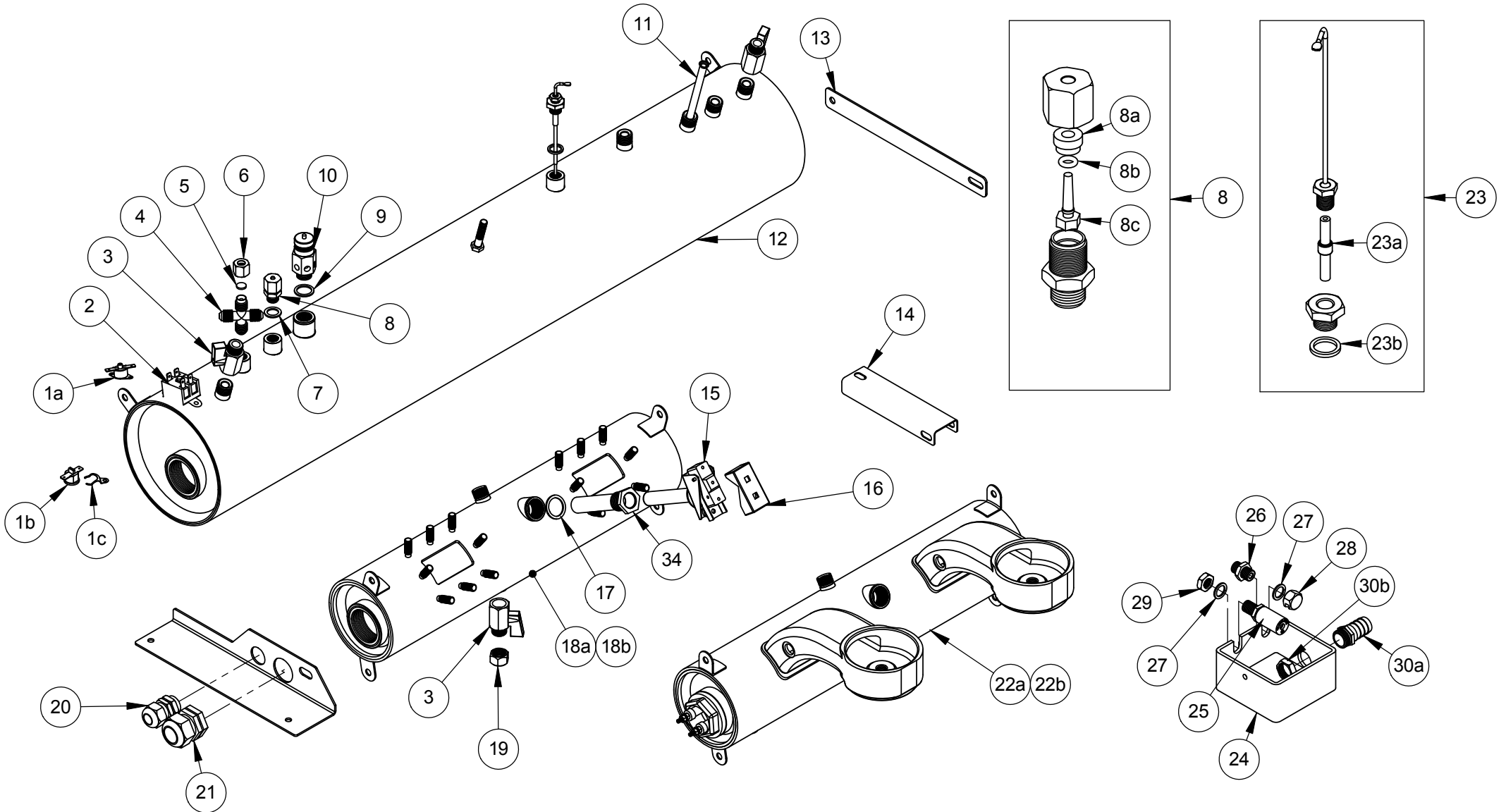
Group Assembly



Group Assembly

Gruppo	1a	TLAD01/1	tube, group assembly to flow meter, 1Gr	tubo gruppo-contatore volumetrico, 1Gr
	1b	TLAD01	tube, group assembly to flow meter, 2, 3 or 4Gr	tubo gruppo-contatore volumetrico, 2/3/4 Gr
	2a	TLAD02/1	tube, flow meter to solenoid valve, 1Gr	tubo contatore volumetrico-elettrovalvola 1Gr
	2b	TLAD02	tube, flow meter to solenoid valve, 2, 3 or 4Gr	tubo contatore volumetrico-elettrovalvola 2/3/4 Gr
	2c	TLAD02.F	tube flow meter to solenoid - threaded	tubo cont. vol.- elettrovalvola filettato
	3	L100/D	copper washer	rondella rame 14x10x1,5
	4	L053/1	1/8" - 1/4" solenoid valve fitting	raccordo M.1/8"-M.1/4" X EV.
	5a	TL25/26	solenoid valve tube	tubo gruppo-elettrovalvola
	5b	TL25/26.F	tube (tapped) from group to solenoid - threaded	tubo gruppo-elettrovalvola filettato
	6a	L087/GI6	gigler 0,6mm	gigler 0,6mm
	6b	L087/GI7	gigler 0,7mm	gigler 0,7mm
	6c	L087/GI	gigler 0,8mm	gigler 0,8mm
	7a	L053/C	hot water valve complete, 220V	valvola acqua calda completa, 220V
	7b	L053/C200	hot water valve complete, 200V	valvola acqua calda completa, 200V
7c	L053/C240	hot water valve complete, 240V	valvola acqua calda completa, 240V	
8	L160	hot water spout	diffusore acqua calda	
9a	L053	solenoid valve, 2 way, hot water, 220V	elettrovalvola 2 vie, 220V	
9b	L053/200	solenoid valve, 2 way, hot water, 200V	elettrovalvola 2 vie, 200V	
9c	L053/240	solenoid valve, 2 way, hot water, 240V	elettrovalvola 2 vie, 240V	
10	L053/2	fitting, solenoid valve to hot water spout	raccordo nichelato 1/8"M-3/8"M elettrovalv.2 vie	
11	L165/2	washer, steam wand	rondella ottonexsnodo 16x26x1	
12	L183/1	locknut, for hot water valve, chrome plated	controdado 3/8" cromato	
13	L169/A1	Teflon gasket	guarnizione Teflon FA 112	
14	L100/C	Fitting Group Valve 1/8		

Boiler Assembly

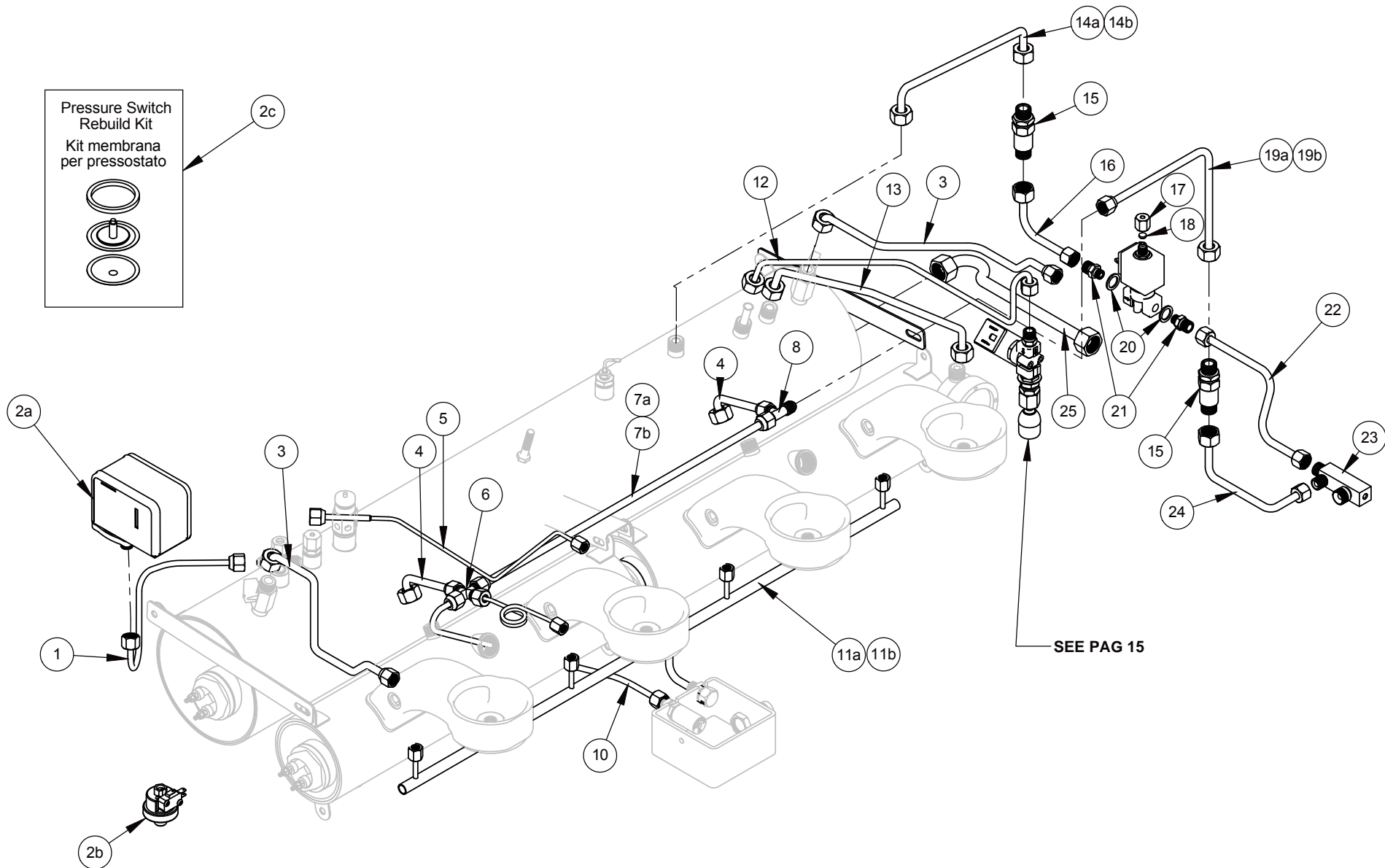


Boiler Assembly

Caldare

1a	L276	manual reset thermostat 250° (single pole) (UL)	termostato sicurezza 130°C unipolare
1b	L276.01	manual reset thermostat Klixon (UL)	termostato Klixon trip free temp 130° (UL)
1c	L276.01S	single bracket for manual reset thermostat L276.01	staffa singola a clip x L276.01
2	L276/B	manual reset thermostat 250° (bipolar)	termostato sicurezza 130°C bipolare
3	L164	ball valve	rubinetto a sfer 3/8" M-F
4	L129	cross fitting	raccordo a croce 1/4" gas
5	L137/4	blind ferrule, 11mm	ghiardola dm.11 chiusa
6	L130/2	nut, tube 1/4" X6mm	raccordo f.1/4" es.16
7	L100/1A	copper washer, vacuum breaker	rondella rame
8	L190	vacuum breaker	valvola decompression 1/4" gas
8a	B.3.001	teflon seal for vacuum breaker	tenuta in teflon per valvola antirisucchio
8b	F.2.019	silicon O-ring 102 70SHA	O-ring 102 silicone 70SHA
8c	B.2.013	vacuum breaker O-ring shaft	asta per valvola antirisucchio
9	L180/1	copper washer, pressure relief valve	rondella rame 22x17x1,5
10	L180	pressure relief valve	valvola sicurezza 1,8 bar
11	TL07/G	tube, hot water siphon	tubo pescaggio acqua, caldaia vapore grande
12	L154/*VG	steam boiler (* specify group size)	caldaia vapore grande, 1 a 4 gruppi
13	CL10L	boiler bracket, side, adjustable	staffa lunghezza
14	CL10/4	boiler bracket, upper, adjustable	staffa mobile x 4gr
15	L260	thermostat	termostato Fenwall +40 +150°C
16	L260/P	thermostat protective cover	protezione termostato
17	L260/1A	thermostat washer	rondella rame 26x21x2,5
18a	L152/*S	brew boiler (* specify group size)	caldaia satura, 1 a 4 gruppi
18b	L152/2SDX	brew boiler 4 group, right	caldaia satura 4 gruppi, dx
19	L030	cap, 3/8" brass	dado cieco es. 19 filett 3/8"
20	L322/P	strain relief, pump cord	fermacavo piccolo + ghiera
21	L322/G	strain relief, power supply	fermacavo grande + ghiera
22a	L152/*WS	brew boiler subassembly * group, type w (* group size)	caldaia satura, w tipo, 1 a 4 gruppi
22b	L152/2WD	brew boiler subassembly, 4 group, right, type w	caldaia satura, w, tipo, 2 a 4 gruppi, dx
23	LA052	autofill probe	sonda livello TL10/B mm.140
23a	LA052/1	teflon insulator	isolatore in teflon per sonda
23b	LA052/A	fiber washer for autofill probe	guarnizione sonda livello
24	L037	nylon drain box	pozzetto scarico
25	L140 C	expansion valve	valvola espansione completa
26	L037/3	fitting, 1/4" BSPP to 1/4" BSPP	raccordo 1/4"m es.19mm
27	L037/4	copper washer, drain box	rondella ot.26x14 tranciata
28	L037/3R	break drain fitting	rompigetto es. 19mm
29	L037/D	drain box nut	dado 1/2" gas esagono 23
30a	L037/2PGR	fitting, drain box hose barb	portagomma dm. 20mm es.22
30b	L146	expansion valve nut	dado 1/4" gas es.19
Item	Part Number/Codice	DESCRIPTION	DESCRIZIONE
* = number of groups / numero gruppi			

Hydraulic Assembly

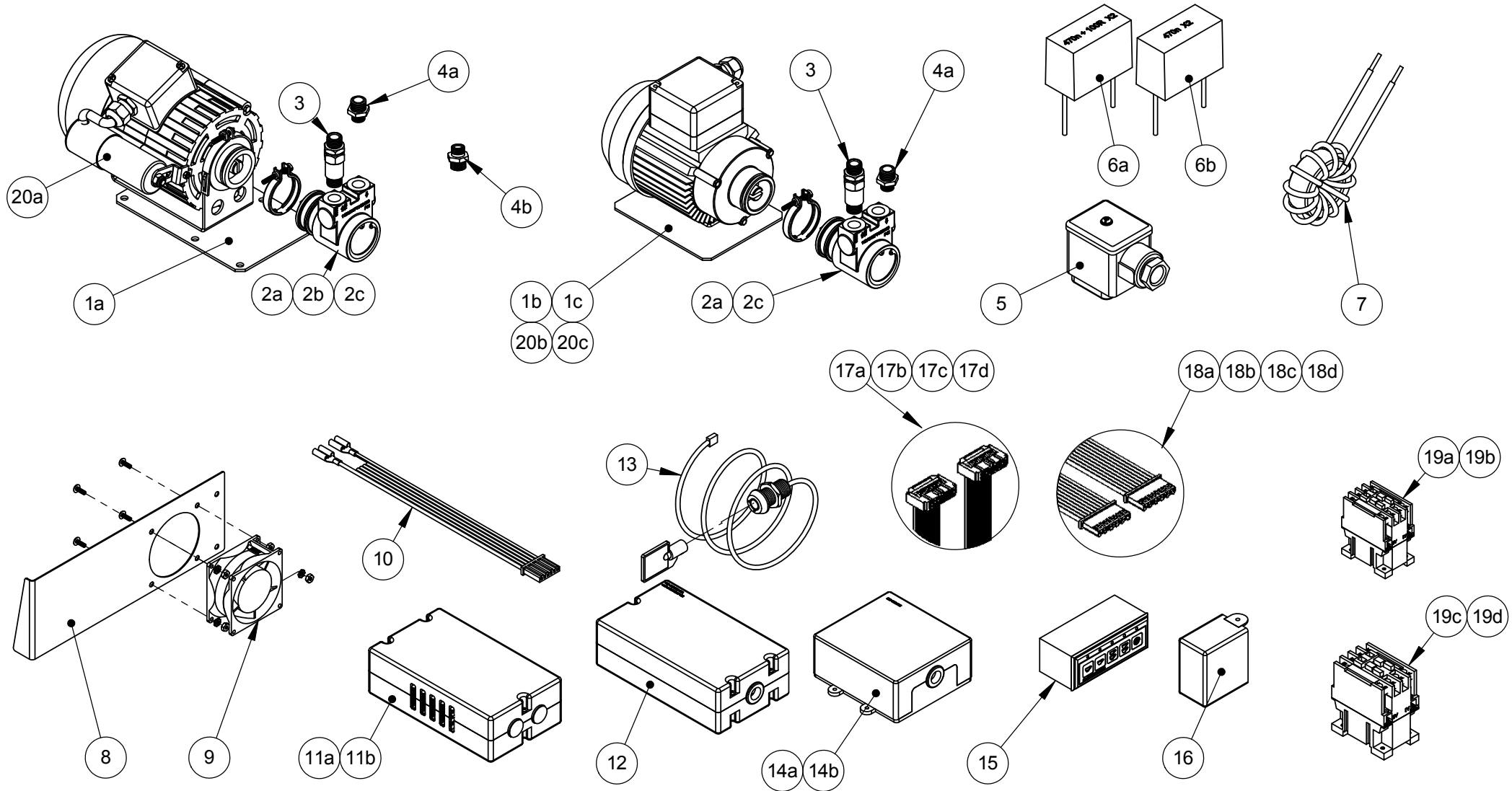


Hydraulic Assembly

Impianto Idraulico

1	TL09	tube, pressure switch to steam boiler	tubo pressostato-cald.vapore
2a	L270	pressure switch, P302/6 0,5-1,4 - UL	pressostato P302/6 0,5-1,4 - UL
2b	L271	pressure switch, MATER	pressostato, MATER
2c	L270/1	pressure switch membrane kit	kit membrana per pressostato
3	TL13	tube, steam boiler to steam valve	tubo cald.vap.-rubinetto vapore
4	TL06	tube, cross fitting to brew boiler	tubo crocera-caldaia satura
5	TL10	tube, cross fitting to pressure gauge	tubo manometro-caldaia vapore
6	L129	fitting, 1/4" cross	raccordo croce 1/4"gas
7a	TL05/3	tube, tee fitting to cross fitting 3gr	tubo collegamento crescere 3gr.
7b	TL05/4	tube, tee fitting to cross fitting 4gr	tubo collegamento crocere 4gr.
8	L128	fitting, 1/4" tee	raccordo a tee 1/4"gas
9a	TL11/1	tube, pressure gauge to brew boiler, 1gr	tubo manometro-caldaia satura 1gr.
9b	TL11/234	tube, pressure gauge to brew boiler, 2, 3 or 4gr	tubo manometro-cald.sat. 2/3/4gr.
10	TL06/A	tube, cross fitting to expansion valve	tubo crocera-valv.espansione
11a	TL28/*	tube, solenoid valve to drain box *Gr	tubo scarico elettrovalvola *Gr
11b	TL28/* B	tube, solenoid valve to drain box - Low Base, *3/4 Gr	tubo scarico elettrovalvola - *3/4 Gr, Base Bassa
12	TL08/234	tube, steam boiler to hot water solenoid valve	tubo cald.vap.-elettrovalvola acqua calda
13	TL01	tube, steam boiler to sight glass, upper	tubo livello superiore
14a	TL05/1	tube, check valve to steam boiler, 1gr	tubo valvola ritegno-cald.vapore 1gr.
14b	TL05/234	tube, check valve to steam boiler, 2, 3 or 4gr	tubo valvola ritegno-cald.vapore 2/3/4gr.
15	L032/P	check valve	valvola ritegno nichelata
16	TL03/A	tube, solenoid valve to check valve	tubo elettrovalvola-valvola ritegno cald.vapore
17	L134	fitting, 1/8" nut for 4mm tube	raccordo F.1/8" es.14 foro 4,5
18	L134/4	ferrule, 8mm blind	ghiandina dm.8 chiusa
19a	TL05/1S	tube, check valve to tee fitting, 1gr	tubo valvola ritegno-croc.caldaia satura 1gr.
19b	TL05/234S	tube, check valve to tee fitting, 2, 3 or 4gr	tubo valvola ritegno-croc.caldaia satura 2/3/4gr.
20	L100/D	copper washer	rondella rame 14X10X1,5
21	L053/1	fitting, 1/8" male to 1/4" male	raccordo M.1/8"-M.1/4" x elettrovalvola
22	TL03	tube, water inlet manifold to solenoid valve	tubo entrata acqua-caldaia vapore
23	L025/C	water inlet manifold	ancoraggio completo nichelato
24	TL04	tube, water inlet manifold to check valve	tubo entrata acqua-caldaia satura
25	TL02	tube, steam boiler to sight glass, lower	tubo livello inferiore
Item	Part Number/Codice	DESCRIPTION	DESCRIZIONE
* = number of groups / numero gruppi			

Electrical System and Pump

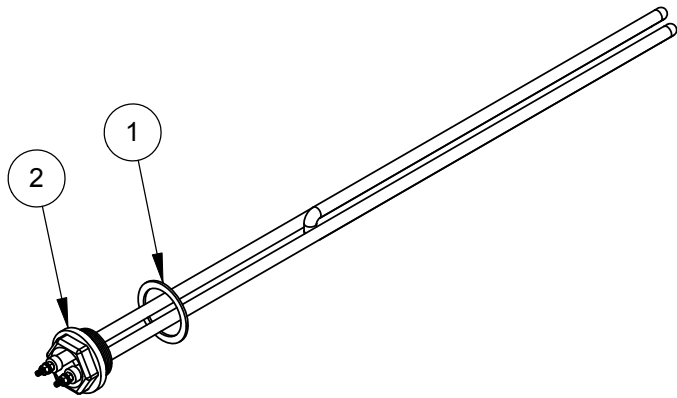


Electrical System and Pump

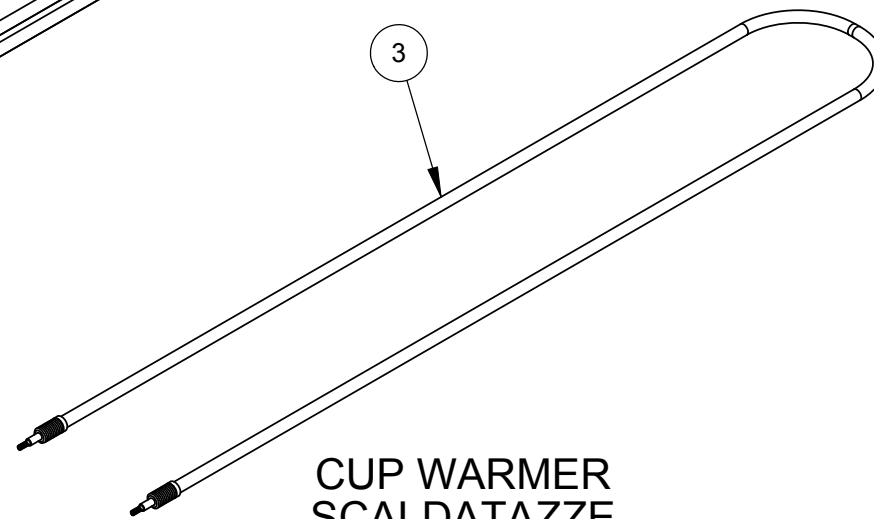
Impianto Elettrico e Pompa

1a	L290/8UL	220-240V motor (UL) (50-60 Hz)	motore 220-240V (UL) (50-60 Hz)
1b	L290/5	220V motor (CE) (50Hz)	motore 220V (CE) (50Hz)
1c	L290/7	200V motor (CE) (50-60Hz)	motore 200V (CE) (50-60Hz)
2a	L290/1	pump 150 l/h	corpo pompante 150 l/h
2b	L290/2	pump 200 l/h	corpo pompante 200 l/h
2c	L290	Procon pump	corpo pompante Procon
3	L032/P	check valve	valvola ritegno 3/8" gas
4a	L305/N	fitting 3/8"M-3/8M	nipplo 3/8"M-3/8M
4b	L306/G	nipple 3/8" to 9/16" compression	nipplo 3/8" - 9/16" a compressione
5	L200	solenoid coil filter	connettore antidisturbo x elettrovalvola
6a	L201	electromech.compatibility filter 470N+100R	filtro antidisturbo 470N+100R
6b	L202	electromech.compatibility condensor 470N	condensatore antidisturbo 470N
7	L203	toroidal filter	nucleo toroidale antidisturbo
8	CL06	fan mount	staffa ventilatore
9	L600	fan	ventilatore
10	LAD072/THE	tea program cable, 40/80cm	cavo x thé, cm.40/80
11a	LAD070/4	CPU, 10 pin, 4 Gr.(mask) - OLD VERSION	dosatore 4Gr., mask - VECCHIO MODELLO
11b	LAD070/3	CPU, 10 pin, 3 Gr. (mask) - OLD VERSION	dosatore 3Gr., mask - VECCHIO MODELLO
12	LAD3D5/4	CPU, 16 pin, 4 Gr. (wizard-UL approved)	dosatore 3D5, 4gr (wizard-UL approved)
13	LAD070/P	70cm program cable with key	cavo programma 70cm con chiave
14a	LAD3D5/3	CPU, 16 pin, 2/3 Gr. (wizard-UL approved)	dosatore 3D5, 2/3Gr.(wizard-UL approved)
14b	LAD3D5/3LC	CPU, 16 pin, 2/3 Gr. (wizard)	dosatore 3D5, 2/3Gr.
15	LAD070/1	CPU, 1 Gr. (220V)	dosatura 1Gr.
16	LA050	CPU, water control unit, ee	centralina autolivello
17a	LAD3D5/C01	80cm ribbon cable (16 pin)	cavo pulsantiera 3D5 cm.80
17b	LAD3D5/C02	110cm ribbon cable (16 pin)	cavo pulsantiera 3D5 cm.110
17c	LAD3D5/C03	140cm ribbon cable (16 pin)	cavo pulsantiera 3D5 cm.140
17d	LAD3D5/C04	170cm ribbon cable (16 pin)	cavo pulsantiera 3D5 cm. 170
18a	LAD072/080	80cm ribbon cable (10 pin)	cavo pulsantiera mask cm.80
18b	LAD072/110	110cm ribbon cable (10 pin)	cavo pulsantiera mask cm.110
18c	LAD072/140	140cm ribbon cable (10 pin)	cavo pulsantiera mask cm.140
18d	LAD072/170	170cm ribbon cable (10 pin)	cavo pulsantiera mask cm. 170
19a	L500	contactor, 25 Amp, 220/230V 50/60hz	contatore 25 Amp V220/230 50/60 hz
19b	L503	contactor, 25 Amp, 200 60hz, 183V 50hz	contatore 25 Amp V220 60 hz, V183 50hz
19c	L510	contactor, 30 Amp, 220/230V 50/60hz	contatore 30 Amp V220/230 50/60 hz
19d	L511	contactor, 30 Amp, 200 60hz, 183V 50hz	contatore 30 Amp V220 60 hz, V183 50hz
20a	L290/CUL	10 μ F motor L290/8UL capacitor	condensatore 10 μ F (motore L290/8UL)
20b	L290/5C	6,3 μ F motor L290/5 capacitor	condensatore 6,3 μ F (motore L290/5)
20c	L290/7C	8 μ F motor L290/7 capacitor	condensatore 8 μ F (motore L290/7)
Item	Part Number/Codice	DESCRIPTION	DESCRIZIONE

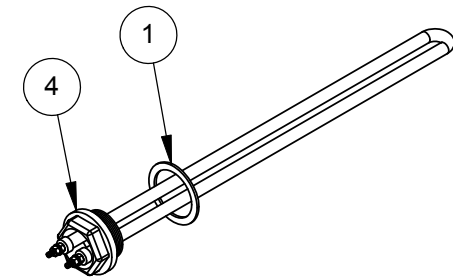
Heating Elements



STEAM BOILER
CALDAIA VAPORE



CUP WARMER
SCALDATAZZE

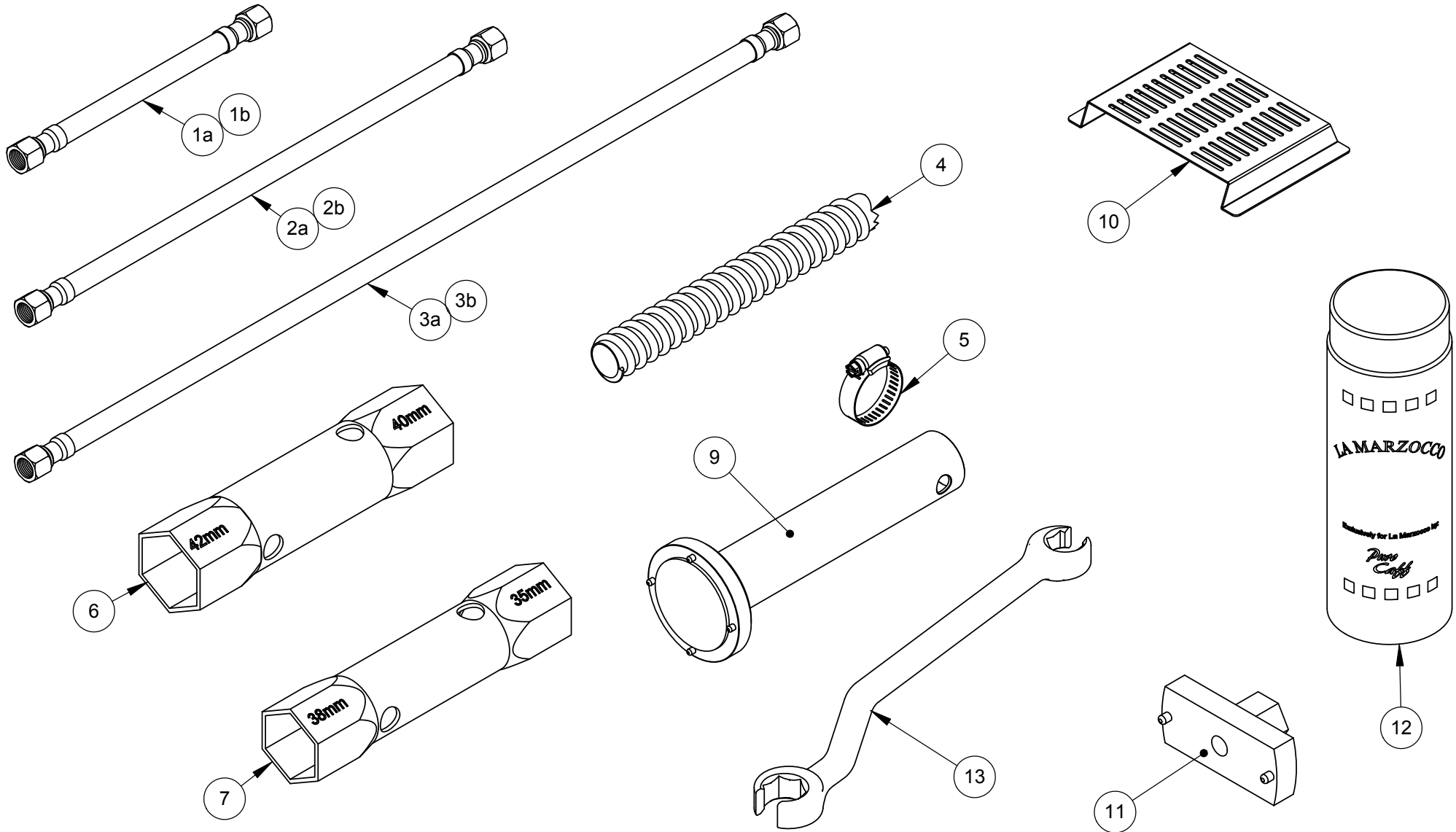


COFFEE BOILER
CALDAIA CAFFE'

Heating Elements

Resistenza Elettriche	1	LR360	gasket	guarnizione piana 55x42x2	
	2	Standard	Standard elements for steam boiler		Resistenze standard per caldaia vapore
		LR342/220B	W2000, 220V cm.29 1-1/4" 2Gr steam boiler element		resist. W2000, 220V cm.29 1-1/4" - caldaia vap. 2Gr
		LR350/380B	W2000, 380V cm.29 1-1/4" 2Gr steam boiler element		resist. W2000, 380V cm.29 1-1/4" - caldaia vap. 2Gr
		LR345/220B	W3000, 220V cm.50 1-1/4" 3Gr steam boiler element		resist. W3000, 220V cm.50 1-1/4" - caldaia vap. 3Gr
		LR353/380B	W3000, 380V cm.50 1-1/4" 3/4Gr steam boiler element		resist. W3000, 380V cm.50 1-1/4" - caldaia vap. 3Gr
		LR346/220B	W3800, 220V cm.50 1-1/4" 4Gr steam boiler element		resist. W3800, 220V cm.50 1-1/4" - caldaia vap. 4Gr
		LR358/200B	W2000, 200V cm.29 1-1/4" 2Gr steam boiler element		resist. W2000, 220V cm.65 1-1/4" - caldaia vap. 2Gr
		LR359/200B	W3000, 200V cm.50 1-1/4" 3Gr steam boiler element		resist. W3000, 200V cm.50 1-1/4" - caldaia vap. 3Gr
		High	High power elements for steam boiler		Resistenze maggiorate per caldaia vapore
		LR357/200B	W3000, 200V cm.39 1-1/4" 2Gr steam boiler element		resist. W3000, 200V cm.39 1-1/4" - caldaia vap. 2Gr
		LR357/220B	W3000, 220V cm.39 1-1/4" 2Gr steam boiler element		resist. W3000, 220V cm.39 1-1/4" - caldaia vap. 2Gr
		LR357/380B	W3000, 380V cm.39 1-1/4" 2Gr steam boiler element		resist. W3000, 380V cm.39 1-1/4" - caldaia vap. 2Gr
		LR356/200B	W4000, 200V cm.50 1-1/4" 3Gr steam boiler element		resist. W4000, 200V cm.50 1-1/4" - caldaia vap. 3Gr
		LR356/220B	W4000, 220V cm.50 1-1/4" 3Gr steam boiler element		resist. W4000, 220V cm.50 1-1/4" - caldaia vap. 3Gr
	LR356/380B	W4000, 380V cm.50 1-1/4" 3Gr steam boiler element		resist. W4000, 380V cm.50 1-1/4" - caldaia vap. 3Gr	
	LR355/200B	W5000, 200V cm.65 1-1/4" 4Gr steam boiler element		resist. W5000, 200V cm.65 1-1/4" - caldaia vap. 4Gr	
	LR355/220B	W5000, 220V cm.65 1-1/4" 4Gr steam boiler element		resist. W5000, 220V cm.65 1-1/4" - caldaia vap. 4Gr	
	LR355/380B	W5000, 380V cm.65 1-1/4" 4Gr steam boiler element		resist. W5000, 380V cm.65 1-1/4" - caldaia vap. 4Gr	
	3	Standard	Cupwarmer elements		Resistenza scaldatazze
		LR370	2Gr cupwarmer element W.280		resistenza scaldatazze 280W
		LR371	3Gr cupwarmer element W.400		resistenza scaldatazze 400W
		LR372	3Gr cupwarmer element W.600		resistenza scaldatazze 600W
	4	Standard	Standard elements for brew boiler		Resistenze standard per caldaia caffè
		LR365/200	W1400, 200V cm.40 1-1/4" 2Gr brew boiler element		resist. W1400, 200V cm.40 1-1/4" - caldaia caffè 2Gr
		LR365/220	W1400, 220V cm.40 1-1/4" 2Gr brew boiler element		resist. W1400, 220V cm.40 1-1/4" - caldaia caffè 2Gr
		LR365/380	W1400, 380V cm.40 1-1/4" 2Gr brew boiler element		resist. W1400, 380V cm.40 1-1/4" - caldaia caffè 2Gr
		LR362/220	W1600, 220V cm.65 1-1/4" 3Gr brew boiler element		resist. W1600, 220V cm.65 1-1/4" - caldaia caffè 3Gr
LR364/380		W1600, 380V cm.65 1-1/4" 3Gr brew boiler element		resist. W1600, 380V cm.65 1-1/4" - caldaia caffè 3Gr	
High		High power elements for brew boiler		Resistenze maggiorate per caldaia caffè	
LR366/200		W1900, 200V cm.65 1-1/4" 3Gr brew boiler element		resist. W1900, 200V cm.65 1-1/4" - caldaia caffè 3Gr	
LR366/220		W1900, 220V cm.65 1-1/4" 3Gr brew boiler element		resist. W1900, 220V cm.65 1-1/4" - caldaia caffè 3Gr	
LR366/380		W1900, 380V cm.65 1-1/4" 3Gr brew boiler element		resist. W1900, 380V cm.65 1-1/4" - caldaia caffè 3Gr	
Item	Part number/Codice	Description		Descrizione	

Hoses, Tools and Accessories



Hoses, Tools and Accessories

Tubi, Utensili & Accessori	<i>Item</i>	<i>Part Number/Codice</i>	<i>Description</i>	<i>Descrizione</i>
	1a	L305/050	50cm ss braided hose 3/8"F	tubo flessibile inox 3/8"F 50cm
	1b	L306/050	50cm ss braided hose, 9/16" compression	tubo flex inox 9/16"F 50cm NSF
	2a	L305/120	120cm ss braided hose 3/8"F	tubo flessibile inox 3/8"F 120cm
	2b	L306/120	120cm ss braided hose, 9/16" compression	tubo flex inox 9/16"F 120cm NSF
	3a	L305/210	210cm ss braided hose 3/8"F	tubo flessibile inox 3/8"F 210cm
	3b	L306/210	210cm ss braided hose, 3/8" compression	tubo flex inox 3/8"F 210cm NSF
	4	L309	clear armoured drain hose	tubo spingvin elastic 20mm
	5	L312	hose clamp	fascetta serratubo mm. 14/24
	6	UT360/42	element tool 40/42	chiave resistenza 40/42
	7	UT360	element tool 35/38	chiave resistenza 35/38
	9	UT120	sight glass tool	chiave per ghiera livello
	10	CL30	cup stand	rialzo per tazze
	11	UT105	diffuser tool	chiave per sede diffusore
12	V067	La Marzocco puro caff cleaner	La Marzocco puro caff prodotto per pulizia	
13	UT107	assembly tool for TL29	chiave montaggio TL29	