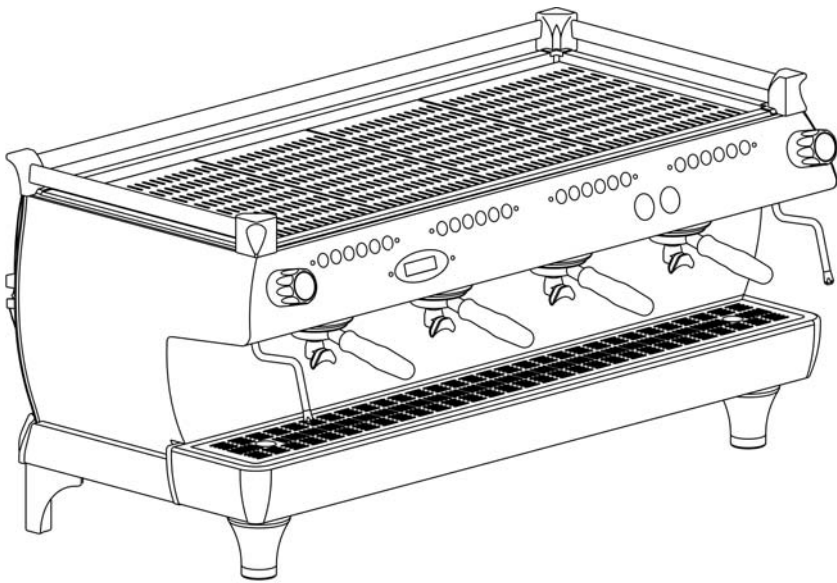




HANDMADE IN FLORENCE



GB/5



FB/80

CATALOGO RICAMBI
PARTS CATALOG



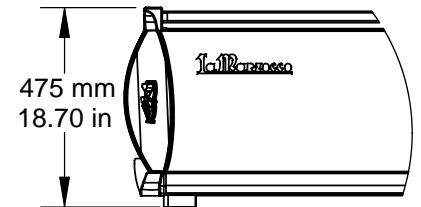
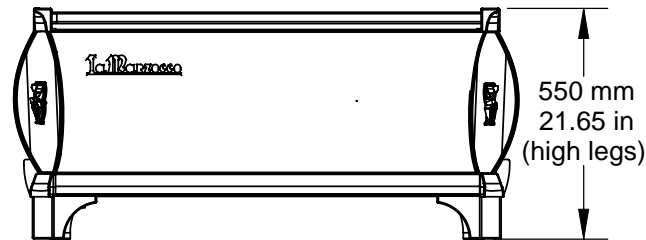
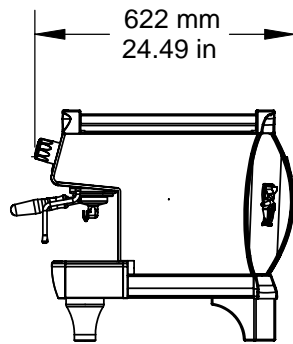
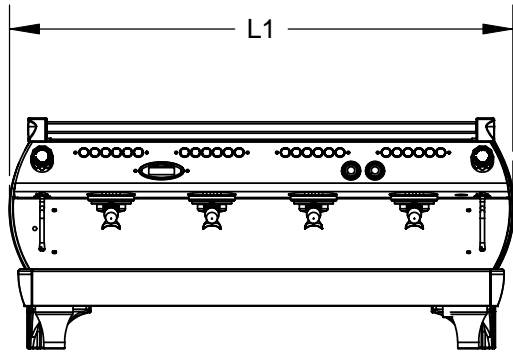
HANDMADE IN FLORENCE

INDEX / INDICE

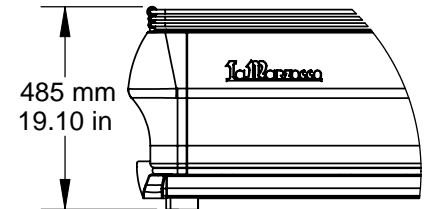
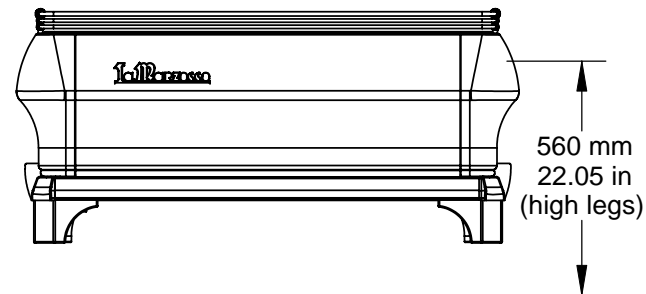
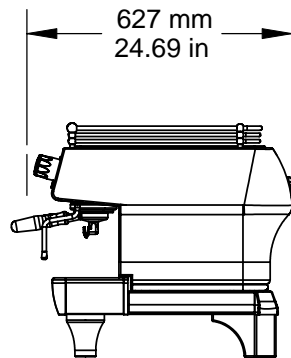
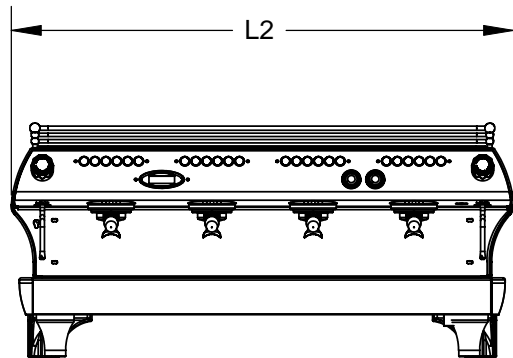
		P.	VER.
Specifications	<i>Caratteristiche tecniche</i>	1	2.0
Body panel assembly - GB/5	<i>Carrozzeria - GB/5</i>	3	2.0
Body panel assembly - FB/80	<i>Carrozzeria - FB/80</i>	6	2.0
Control panel assembly - AV&EE	<i>Pannello di controllo AV & EE</i>	8	2.0
Portafilter assembly	<i>Portafiltri</i>	10	2.0
Steam wand assembly	<i>Lancia - Rubinetto Vapore</i>	12	2.0
Anti-suction steam valve kit	<i>Kit antirisucchio - Rubinetto vapore</i>	15	2.0
Autosteam assembly	<i>Autosteam</i>	17	2.0
Group	<i>Gruppo</i>	20	2.0
Group assembly	<i>Gruppo completo</i>	22	2.0
Group cap assembly	<i>Coperchio gruppo - AV & EE</i>	24	2.0
Boiler assembly	<i>Caldaie</i>	28	2.0
Pre-heating mix valve	<i>Valvola termostatica</i>	31	2.0
Hydraulic assembly	<i>Impianto idraulico</i>	33	2.0
Electrical system and pump	<i>Impianto elettrico e pompa</i>	39	2.0
Heating elements	<i>Resistenze elettriche</i>	41	2.0
Hoses and accessories	<i>Tubi e accessori</i>	43	2.0

Specifications - GB/5 & FB/80

GB/5



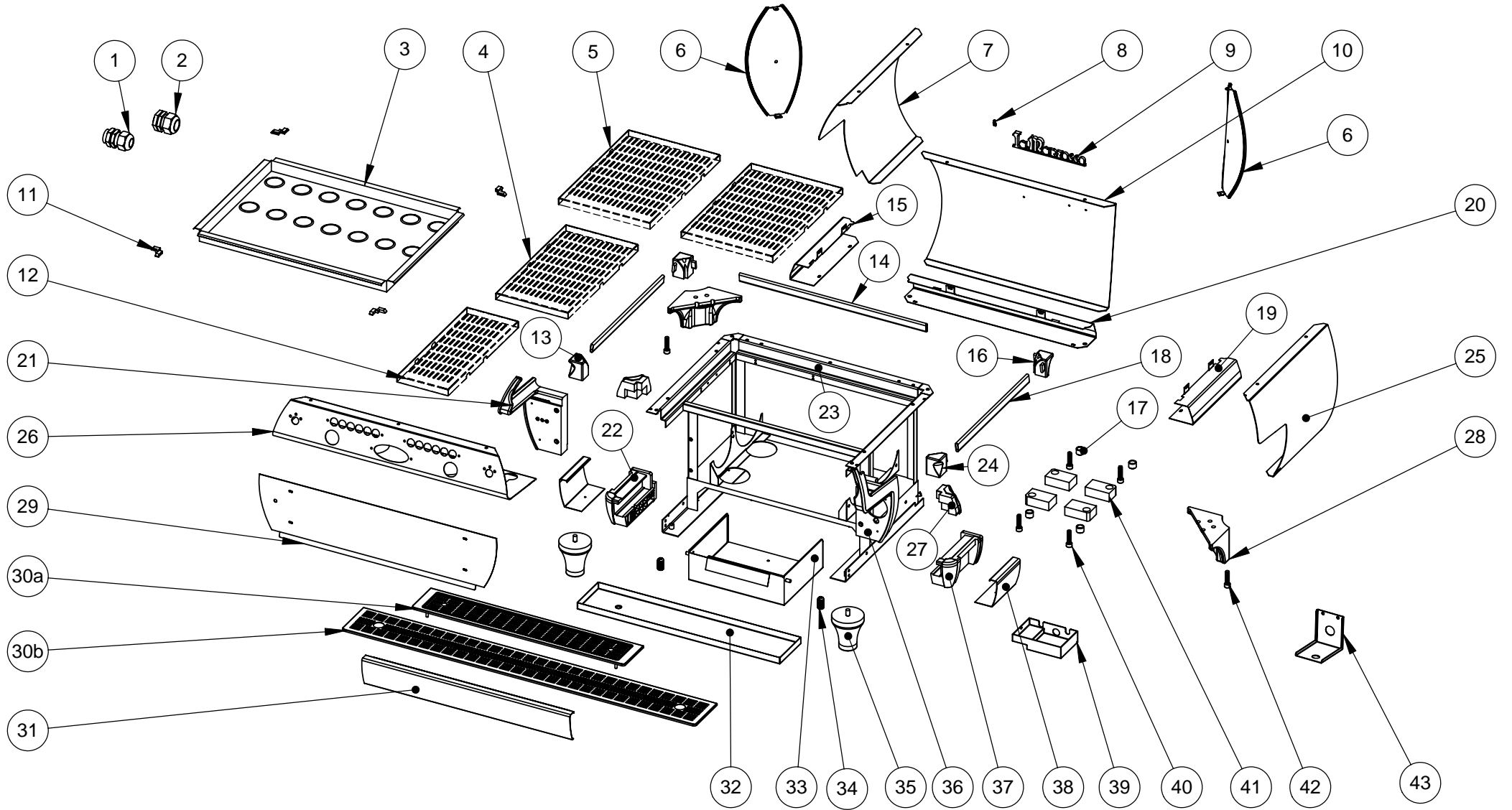
FB/80



Specifications - GB/5 & FB/80

Caratteristiche tecniche	L1 (GB/5)	mm	750	950	1190
		in	29,53	37,40	46,85
	L2 (FB/80)	mm	755	955	1195
		in	29,72	37,60	47,05
	Machine weight	kg	64	74	94
		lb	141,10	163,14	207,23
	Shipping weight	kg	90	100	130
		lb	198,42	220,46	286,60
	Electrical Voltage	VAC	200 Single/Three Phase	200 Single/Three Phase	200 Single/Three Phase
			220 Single/Three Phase	220 Single/Three Phase	220 Single/Three Phase
			380 Three Phase	380 Three Phase	380 Three Phase
	Coffee Boiler Wattage	W	1400	1900	2800
	Steam Boiler Wattage	W	3000	4000	5000
	Total Wattage	W	4600	6100	8000
Required Available Amperage	A	25	35	45	
Coffee Boiler Capacity	liters	3,4	5	6,8	
Steam Boiler Capacity	liters	7	11	14,5	
Total Capacity	liters	10,4	16	21,3	
Machine configuration		2 Gr	3 Gr	4 Gr	

Body panel assembly - GB/5



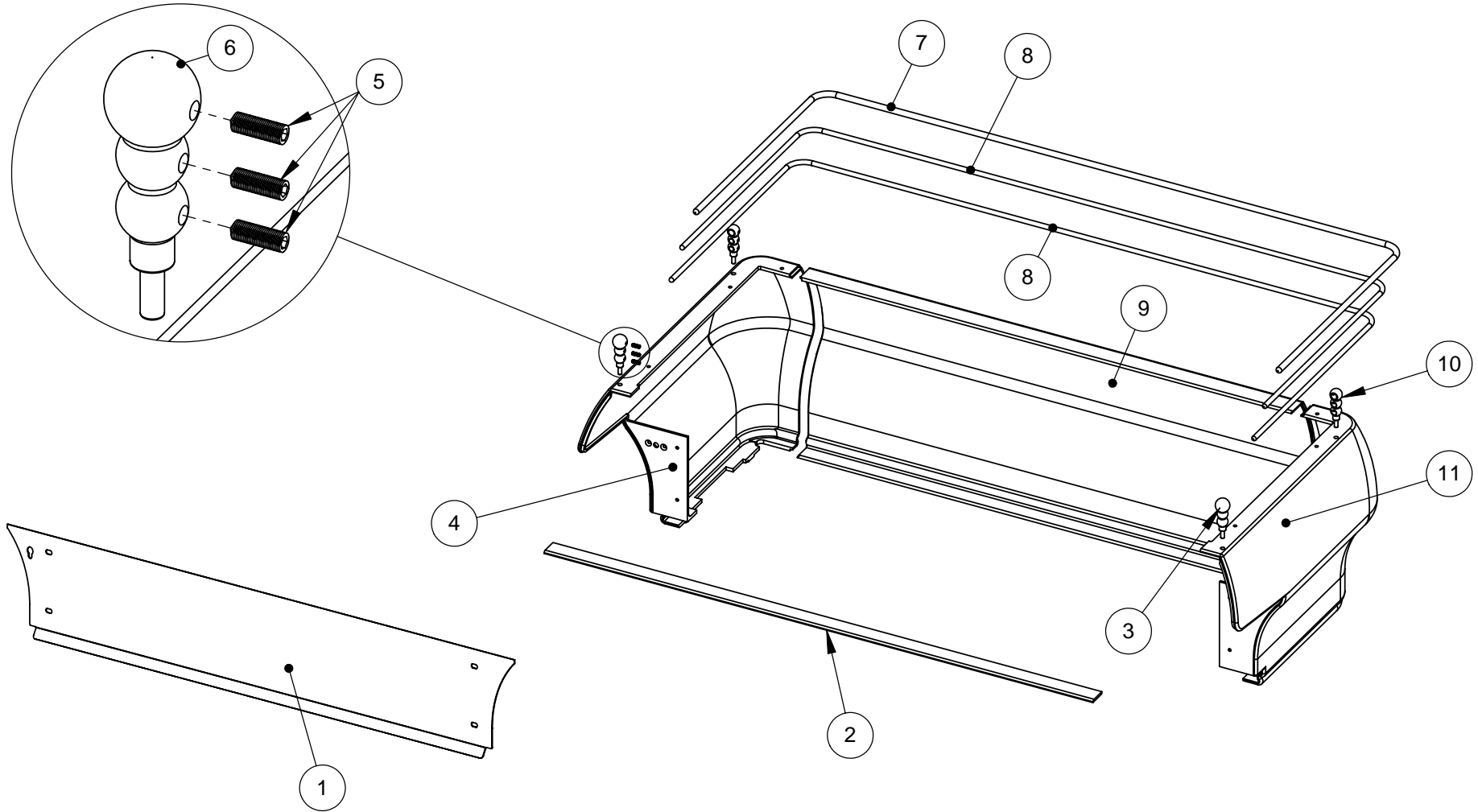
Body panel assembly - GB/5

Carrozzeria - GB/5	1	L322/P	small cable grommet with nut	fermacavo piccolo + ghiera
	2	L322/G	big cable grommet with nut	fermacavo grande + ghiera
	3	C.1.011.*	*Gr cup-warmer tray GB/5	vassoio scaldatazze GB/5 *Gr
	4	C.1.029	cup-warmer middle grate	griglia scaldatazze intermedia
	5	C.1.028	cup-warmer large grate	griglia scaldatazze grande
	6	C.1.016	shield for lion	scudo per leone
	7	C.1.013	GB/5 left side panel	fianco sx GB/5
	8	D.1.002	bronze lion	leone in bronzo
	9	D.1.001	la marzocco bronze label	targh. la marzocco in bronzo
	10	C.1.015.*	*Gr back panel	pann. posteriore GB/5 *Gr
	11	F.2.001	cup-warmer tray corner	angolare per vassoio scald.
	12	C.1.010	small cup-warmer grate	griglia scaldatazze piccola
	13	C.3.002	left front railing corner	angolo superiore frontale sx
	14	C.1.017.*	*Gr back railing GB/5	ringh. posteriore GB/5 *Gr
	15	C.1.003	left lower trim	cornice inferiore lat. sx
	16	C.3.001	upper back corner GB/5	angolo superiore posteriore
	17	F.1.005	pvc foot supports dm.21 GB/5	supporti piedini pvc dm.21 GB/5
	18	C.1.018	GB/5 side railing	ringhierina laterale
	19	C.1.004	right lower trim	cornice inferiore lat. dx
	20	C.1.002.*	*Gr lower trim	cornice inferiore *Gr
	21	C.2.003	left control panel support	supporto sx pannello interrut.
	22	C.2.001	left drain tray corner	angolo vasca sx
	Item	Part number/Codice	Description	Descrizione
* = number of groups / numero gruppi				

Body panel assembly - GB/5

Carrozzeria - GB/5	23	C.1.001.*	*Gr GB/5 frame	telaio GB/5 *Gr
	24	C.3.003	right front railing corner	angolo superiore frontale dx
	25	C.1.014	GB/5 right side panel	fianco dx GB/5
	26	>>>>>	see "Control panel assembly" pages	vedere le pagine dedicate ai "Pannelli di controllo"
	27	C.2.005	lower corner piece	angolo cornice base
	28	C.2.007	back high leg for GB/5+FB/80	gambe alte posteriori GB/5+FB/80
	29	C.1.009.*	GB/5 *Gr main switch panel	pann. interr. generale GB/5 *Gr
	30a	C.1.012.*R	*Gr cup stand GB/5	griglia scar. GB/5 *Gr rialz.
	30b	C.1.012.*	*Gr drain grate GB/5	griglia scarico GB/5 *Gr
	31	C.1.005.*	*Gr drain tray front cover	frontale bacinella *Gr
	32	C.1.006.*	*Gr drain tray	bacinella GB/5 *Gr
	33	C.1.020	box for GB/5 electronics	scatola per elettronica
	34	I.1.014	spring plunger	pressore elgn. 33303
	35	C.2.006	front high leg for GB/5+FB80	gambe alte anteriori GB/5+FB/80
	36	C.2.004	right control panel support	supporto dx pannello interrut.
	37	C.2.002	right drain tray corner	angolo vasca dx
	38	C.1.021	lower corner cover	copertura angoli inferiori
	39	F.1.002	GB/5 drain box	pozzetto di scarico GB/5
	40	I.3.001	10x20 socket head bolt (zinc)	bullone 10x20 testa brugola
	41	CL001	rubber foot	zoccolino in gomma
	42	I.3.002	10x40 socket head bolt (zinc)	bullone 10x40 testa brugola
	43	C.1.007	hot water bracket	staffa per acqua calda
		Item	Part number/Codice	Description
* = number of groups / numero gruppi				

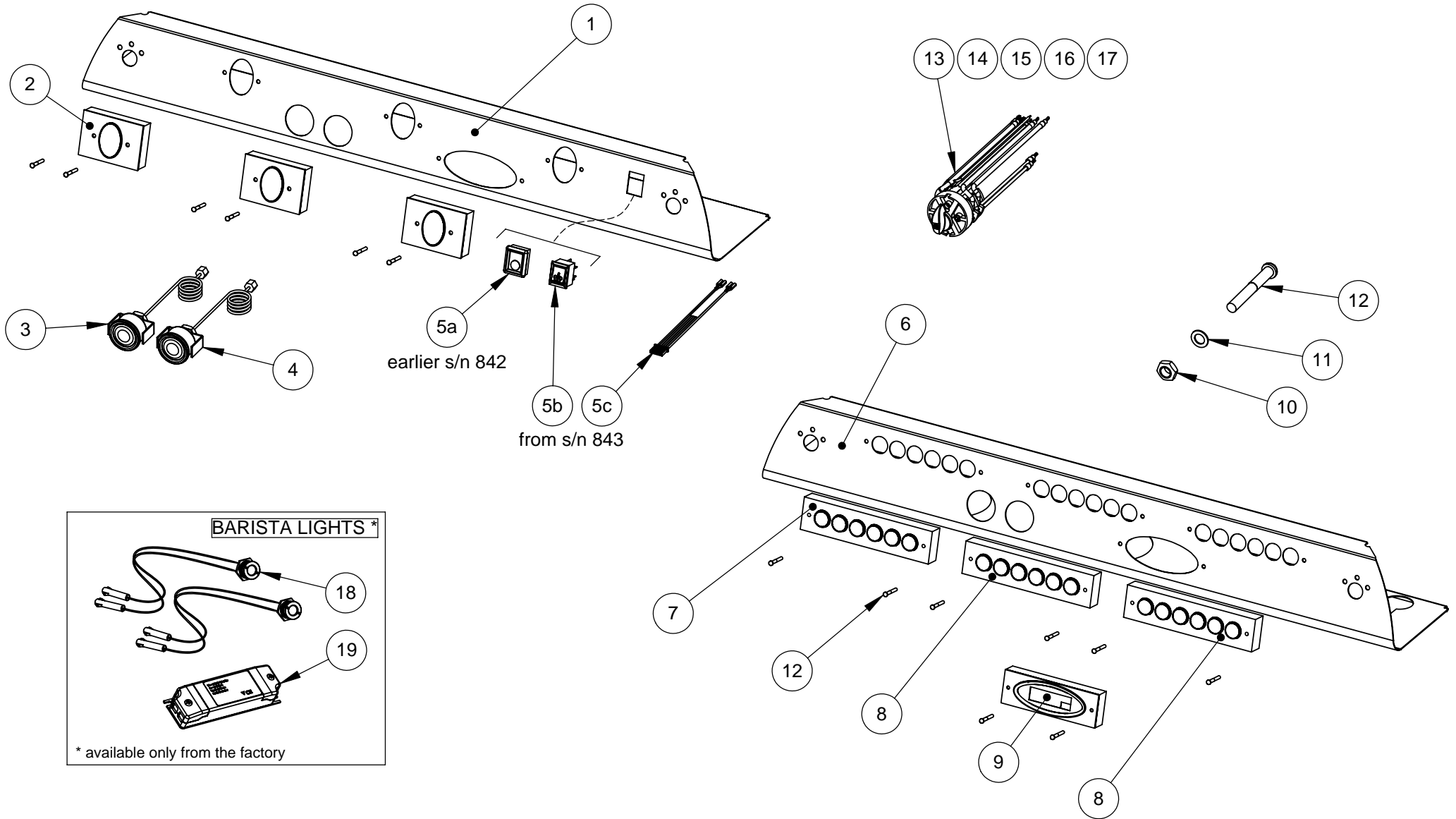
Body panel assembly - FB/80



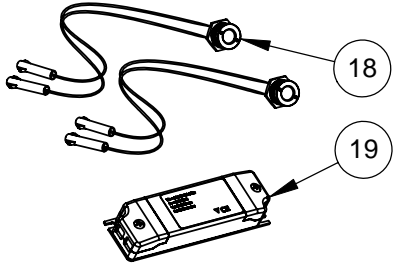
Body panel assembly - FB/80

Carrozzeria - FB/80	1	C.1.024.*	*Gr FB/80 main switch panel	pann. interr.gener. FB/80 *Gr
	2	part of C.2.013.*	*Gr FB/80 front panel's polyurethane top stripe	* striscia in poliuretano su pannello frontale FB/80 *Gr
	3	C.4.001.DX	FB/80 upper front corner piece right	angolo sup. frontale FB/80 dx
	4	C.2.011	FB/80 left side panel painted	fianco sx FB/80 verniciato
	5	I.1.016	stainless steel M5 grub screw	grano M5 inox ringh. FB/80
	6	C.4.001.SX	FB/80 upper front corner piece left	angolo sup. frontale FB/80 sx
	7	C.1.023.*	*Gr FB/80 railing Ø10mm	ringhiera FB/80 Ø10mm *Gr
	8	C.1.022.*	*Gr FB/80 railing Ø8mm	ringhiera FB/80 Ø8mm *Gr
	9	C.2.013.*	*Gr FB/80 back side panel painted	pann. poster. FB/80 vern. *Gr
	10	C.4.002	upper back corner FB/80	ang. sup. posteriore FB/80
	11	C.2.012	FB/80 right side panel painted	fianco dx FB/80 verniciato
Item	Part number/Codice	Description		Descrizione
* = number of groups / numero gruppi				

Control panel assembly - AV & EE



BARISTA LIGHTS *

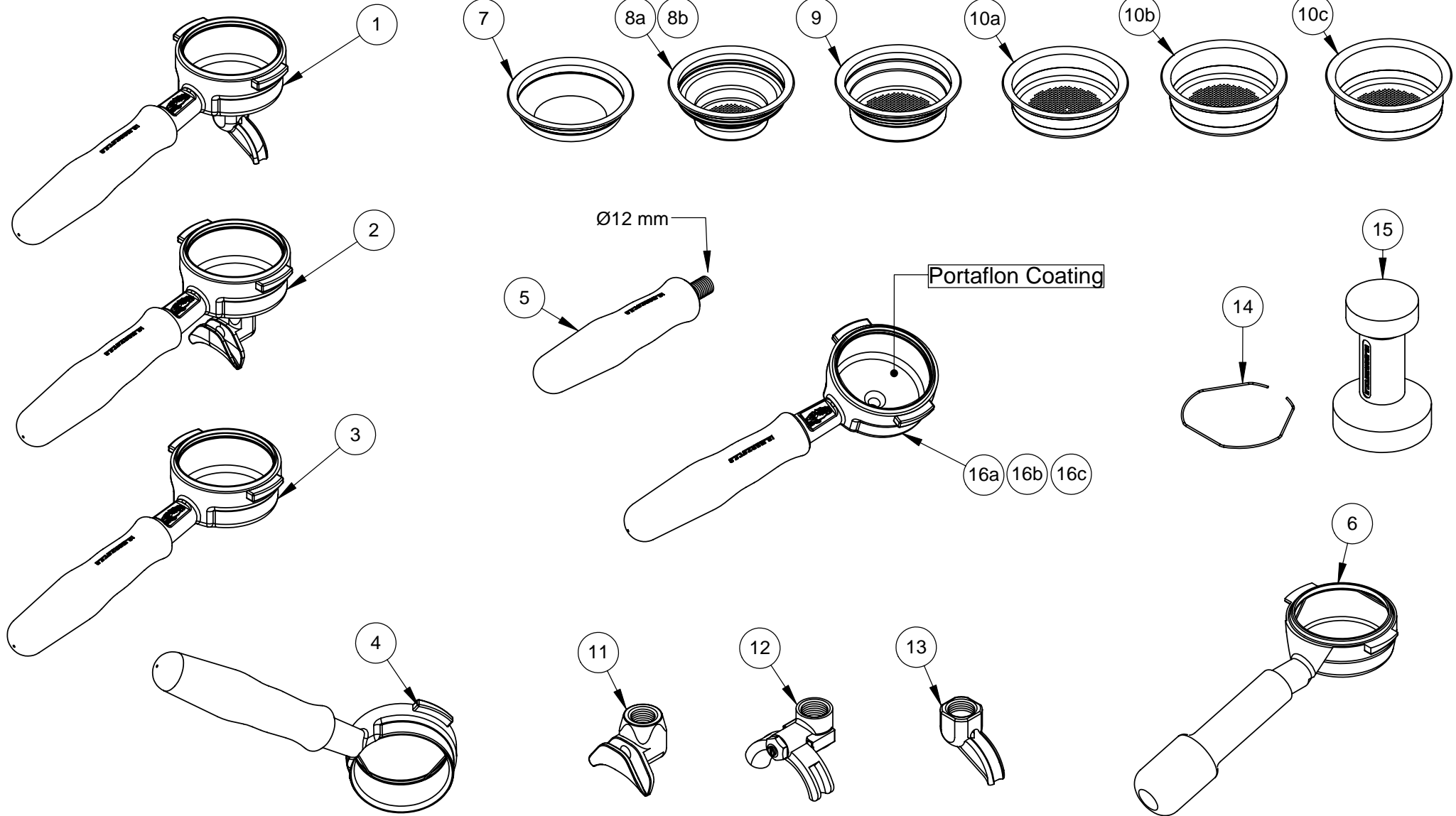


* available only from the factory

Control panel assembly - AV & EE

Pannello di controllo AV & EE	1	C.1.019.*	GB/5-FB/80 EE *Gr control panel	frontale interr. GB/5 *Gr EE
	2	E.1.007	GB/5 EE switch	pulsante GB/5 EE
	3	E.3.002	press.gauge GB/5 0-3bar+capillary tube	manometro c. vap. GB/5 0-3 bar+capillare
	4	E.3.001	press.gauge GB/5 0-15bar+capillary tube	manometro c. sat GB/5 0-15bar+capillare
	5a	E.1.008	GB/5 hot water switch - earlier s/n 842	pulsante GB/5 acqua calda - fino al s/n 842
	5b	L286/1	white push button with "steam" - from s/n 843	pulsante tasto bianco vap. nero - dal s/n 843
	5c	E.4.011.1	tea cable extension - from s/n 843	prolunga cablaggio cavo thè - dal s/n 843
	6	C.1.008.*	GB/5 *Gr AV control panel	fontale interr. GB/5 *Gr AV
	7	E.1.002	prog keypad GB/5	pulsantiera progr. GB/5 on off
	8	E.1.003	standard keypad GB/5	pulsantiera GB/5 thè
	9	E.1.004	LCD display GB/5	display LCD con scatola
	10	DADO4M	brass nut M4	dado ottone M4 UNI 5588
	11	ROND DENT 4	zinc washer mm 4	rondella dentellata mm 4 zinc.
	12	I.2.001	keypad screws	viti per fissaggio pulsantiere
	13	E.2.001	32 A bipol. 2 position switch	interruttore 32A bipolare a due posizioni
	14	E.2.002	17 A tripol. 2 position switch	interruttore tripolare 17A due posizioni
	15	L400/32/4	32A pre-wired switch 4Gr	commutatore bipolare 32a cabl. 4Gr
	16	L400/17/12	16A main switch 1-2Gr	commutatore tripolare 16A 1-2Gr
	17	L400/32/T	32A main switch tri-polar	commutatore tripolare 32A
18	E.4.023	white Ø16mm LED	LED Ø16mm bianco	
19	E.4.024	feeder for UL lights	alimentatore UL x luci	
	Item	Part number/Codice	Description	Descrizione

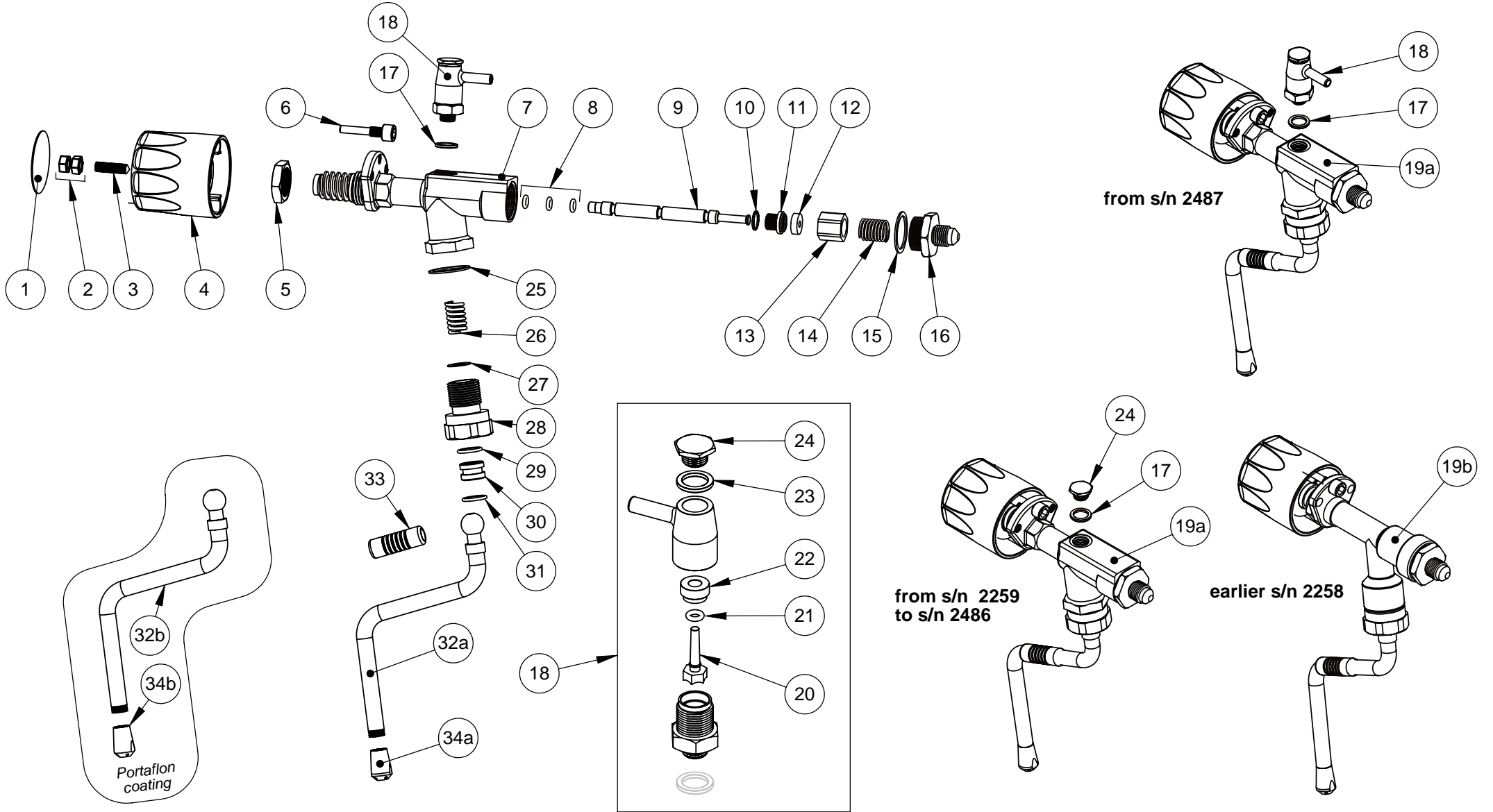
Portafilter assembly



Portafilter assembly

Portafiltri	1	L111/1	portafilter with 1 cup spout	portafiltro 1 tazza
	2	L111/2N	portafilt. 2 cup non-adj. spout	portafiltro 2 tazze fisso
	3	L111/LM12	portafilter with lion complete	portafiltro con leone completo
	4	L111/X	"naked" portafilter	portafiltro "nudo"
	5	L112/G12	portaf. handle - rubber Ø12mm	manopola portaf. gomma Ø12mm
	6	L111/15D	15° inclined portafilter	portafiltro inclinato 15° n.r. completo di manopola
	7	L115/C	blind filter	filtro cieco per lavaggio
	8a	L115/A	filter 1 cup	filtro a 1 tazza
	8b	L115/F	filter 1 cup faema type	filtro 1 tazza tipo Faema
	9	L116/A	filter 2 cups	filtro a 2 tazze
	10a	5.128	19mm filter basket Swift	19mm filter basket Swift
	10b	5.127	22mm Swift filter basket	filtro swift 22mm
	10c	5.133	triple filter basket	triple filter basket
	11	L119	La Marzocco fixed double spout	beccuccio a due tazze fisso La Marzocco
	12	L116/R	2 cups spout - adjustable	beccuccio a 2 tazze regolabile
	13	L115	1 cup spout	beccuccio a 1 tazza
14	L113	portafilter spring	molletta fermafiltro	
15	L117	coffee tamper	pressino in nylon	
16a	L111/1TF	Portaflon-coated portafilter	portafiltro 1 tazza "Portaflon"	
16b	L111/2NTF	2 cups portafilter Portaflon-coated	portafiltro 2 tazze fisso "Portaflon"	
16c	L111/LM12TF	portafilter with lion with Portaflon	portafiltro con leone completo "Portaflon"	
<i>Item</i>	<i>Part Number/Codice</i>	<i>Description</i>	<i>Descrizione</i>	

Steam wand assembly



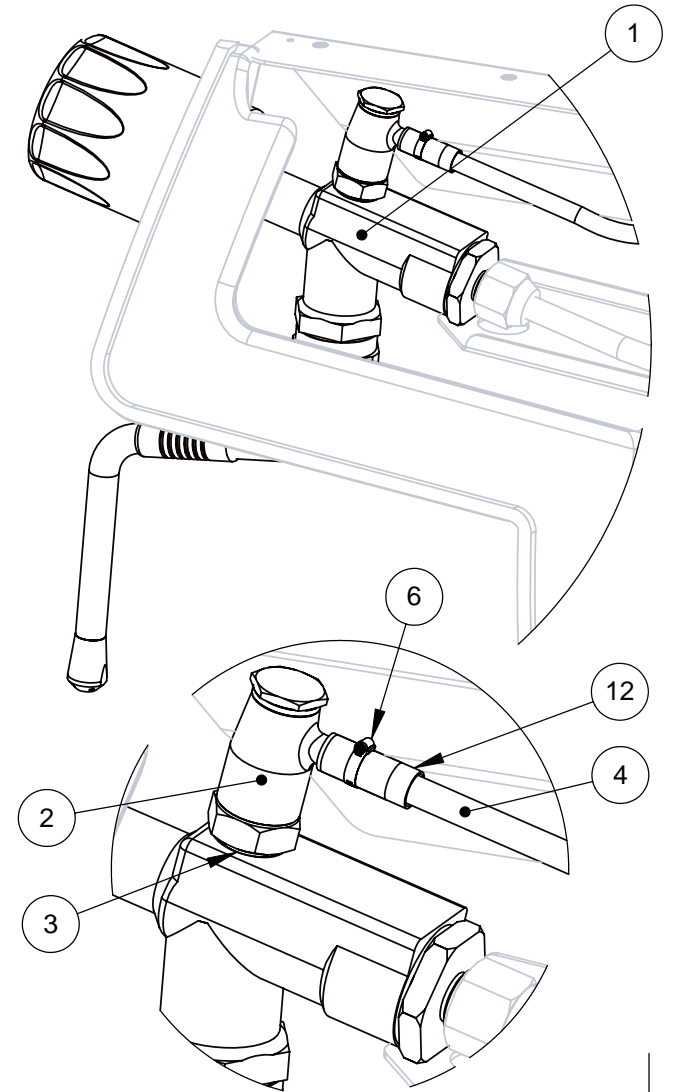
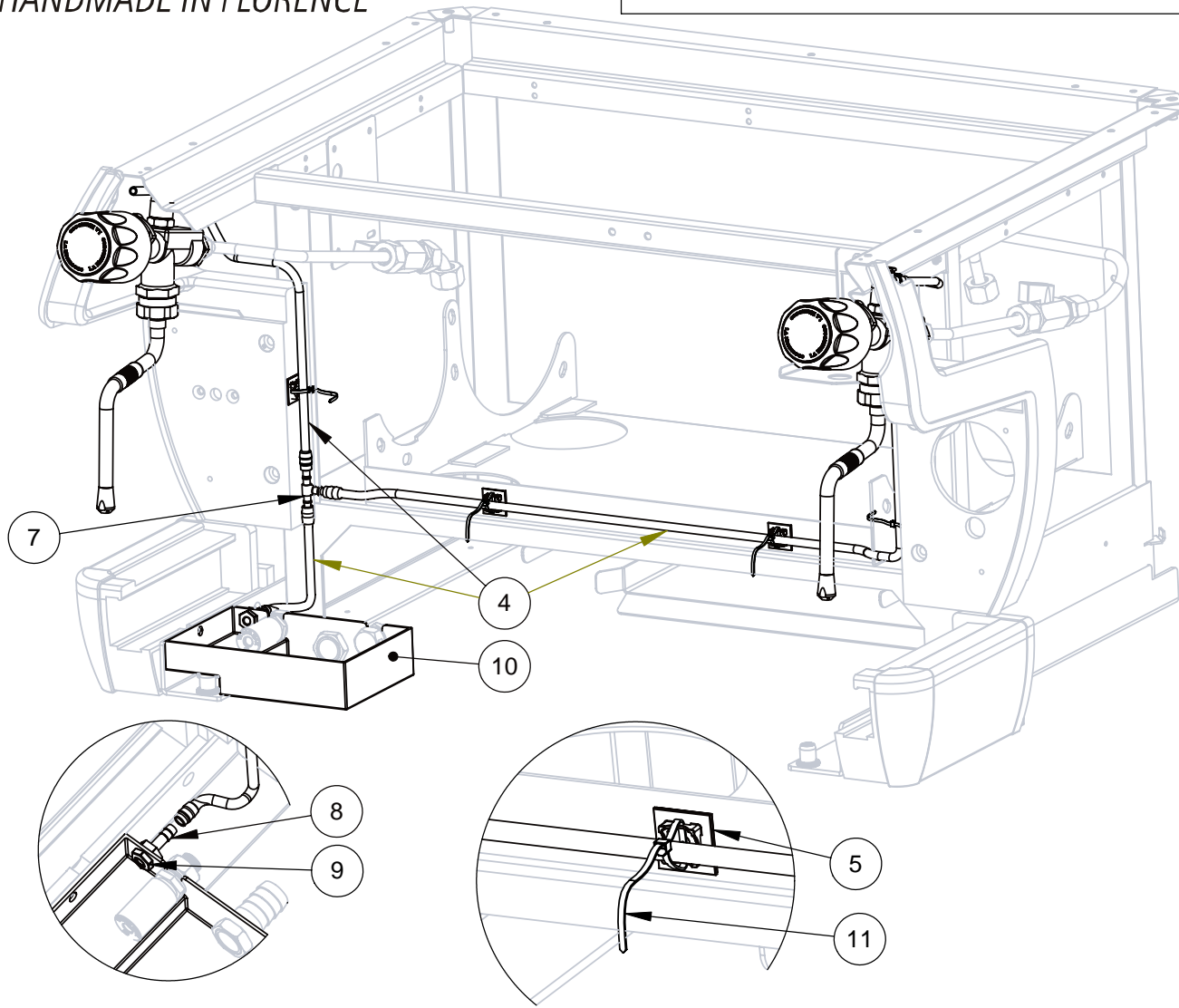
Steam wand assembly

<i>Item</i>	<i>Part Number/Codice</i>	<i>Description</i>	<i>Descrizione</i>
1	F.1.007	knob cover with logo	tappo manop. vap. GB/5
2	A.2.008	brass nut M6	dado ot. M6 CH9x4,5
3	I.3.003	grub screw	grano M6x16 brunito
4	F.1.006	steam valve knob	manopola rub. vap. GB/5
5	A.1.006	mounting nut, steam valve	dado 1/2" ES.24 H6
6	I.1.015	body valve screw	vite M6 fermo manopola
7	A.1.001.01	steam valve body	corpo rub. vap. GB/5
8	H.1.005	O-ring, steam valve shaft	O-ring Viton per asta rub. vap.
9	A.1.002	steam valve shaft	asta Ø8 per rub. vap.
10	F.4.001	Teflon gasket 12x9,8x1	guarnizione Teflon 12x9,8x1
11	F.3.007	stainless steel seat	sede AISI 316 per rub. GB/5
12	H.2.001	seat gasket	guarniz. tenuta rub. vap. GB/5
13	A.1.004	valve seal holder	racc. per guarn. tenuta
14	F.3.005	spring, steam valve shaft	molla per tenuta
15	H.2.002	PTFE gasket 24x19x2	guarniz. PTFE 24x19x2
16	A.1.003	rear tube connector	raccordo ingr. rub vap. GB/5
17	L100/D	copper washer 14x10x1,5	rondella rame 14x10x1,5
18	L192	anti-suction steam valve	valvola antirisucchio per rubinetto vapore
19a	B.1.001.01	inclined steam valve complete - from s/n 2259	rubinetto vapore inclinato completo - da s/n 2259
19b	B.1.001	inclined steam valve complete - earlier s/n 2258	rubinetto vapore inclinato completo - fino a s/n 2258
20	B.2.013	anti-suction valve shaft	asta per valvola antirisucchio
21	F.2.019	silicon O-ring 102 70SHA	O-ring 102 silicone 70SHA
22	B.3.001	Teflon seal for anti-suction valve	tenuta in Teflon per valvola antirisucchio

Steam wand wssembly

Lancia - Rubinetto Vapore	23	B.1.001.TR	washer for anti-suction steam valve cap	rondella x tappo rub. vapore c/antirisucchio
	24	B.1.001.T	1/8" cap for anti-suction steam valve	tappo 1/8" rub. vapore c/antirisucchio
	25	L260/1A	copper washer 27x21x1,5	rondella rame 27x21x1,5
	26	F.3.004	steam wand sealing spring	molla per tubo vap. GB/5
	27	I.4.001	brass washer 14x7x0,5	rondella ottone 14x7x0,5
	28	A.1.005	steam wand adaptor	racc. 1/2" per tubo vap GB/5
	29	H.1.004	O-ring, steam wand	O-ring 3043 10,77x2,62 85 SH
	30	H.2.003	steam wand sealing	guarn. PTFE per snodo tubo vap.
	31	H.1.003	O-ring 117 2,62x13,1 Viton 85 SH	O-ring 2,62x13,1 Viton per tubo vap.
	32a	T.2.001	steam wand for GB/5	tubo vapore per GB/5
	32b	T.2.001.TF	steam wand for GB/5 with Portaflon coating	tubo vapore per GB/5 rivestito in Portaflon
	33	L171/G	rubber steam tube cover	gommino antiscottat. tubo vap.
	34a	L173	S/S steam wand tip	spruzzatore inox x tubo vapore
	34b	L173TF	Portaflon-coated steam wand tip	spruzzatore inox x tubo vapore rivestito in Portaflon
<i>Item</i>	<i>Part Number/Codice</i>	<i>Description</i>	<i>Descrizione</i>	

Anti-suction steam valve kit

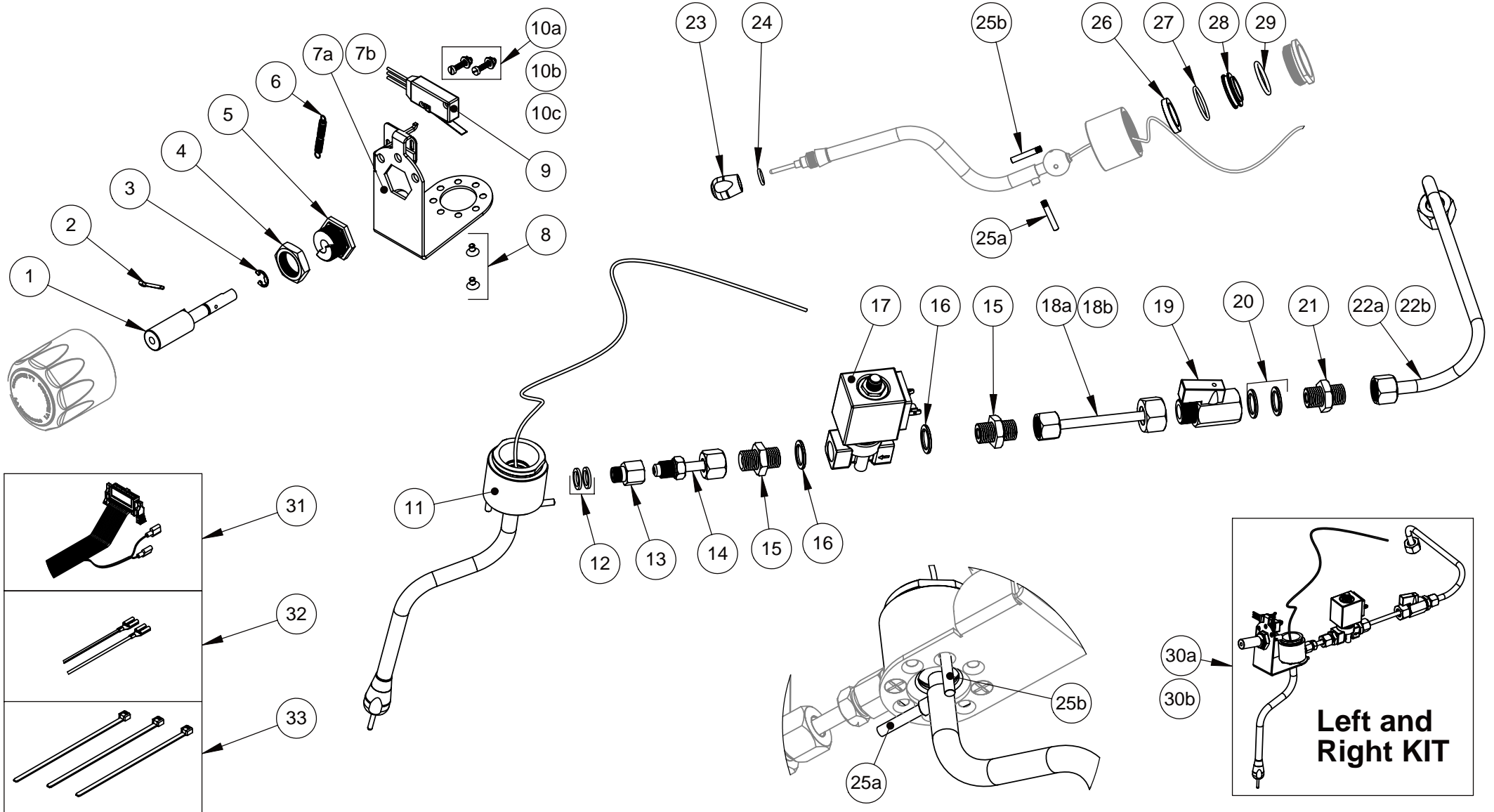


13

Anti-suction steam valve kit

Kit antirisucchio - Rubinetto vapore	1	B.1.001.01	inclined steam valve complete - from s/n 2259	rubinetto vapore inclinato completo - da s/n 2259
	2	L192	anti-suction steam valve	valvola antirisucchio per rubinetto vapore
	3	L100/D	copper washer 14x10x1,5	rondella rame 14x10x1,5
	4	T.4.001	silicon tube for anti-suction valve - specify how long	tubo silicone valvola antirisucchio - specificare lunghezza
	5	5.V010	adhesive fastners	incollini
	6	A.5.007	hose clamp	fascetta 8-12 banda 8 vite zincata
	7	A.7.001	T fitting for anti-suction system	raccordo a T x antirisucchio
	8	L292	tube fitting	portagomma
	9	L292/R	lock nut 1/8"	raccordo portagomma 1/8"
	10	F.1.002.01	drain box	pozzetto di scarico
	11	L338/L100	plastic fastener 100x2,5	fascetta fermafilo 100x2,5
	12	L339/1	vetrotex Ø6 sheath	guaina vetrotex Ø6
	13	B.1.001.X	anti-suction steam valve complete kit	kit antirisucchio per rubinetti vapore completo
<i>Item</i>	<i>Part Number/Codice</i>	<i>Description</i>	<i>Descrizione</i>	

Autosteam assembly



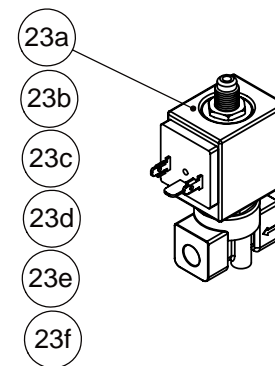
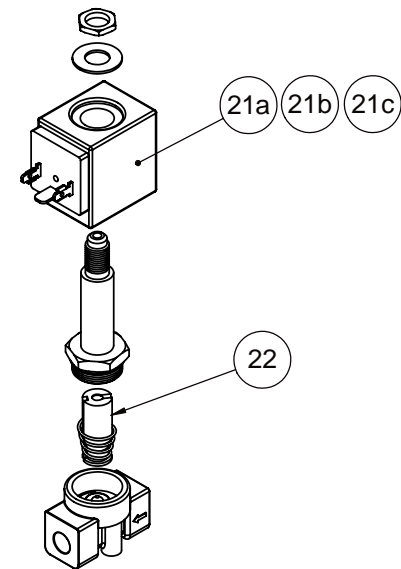
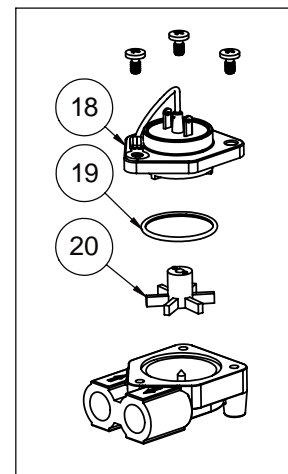
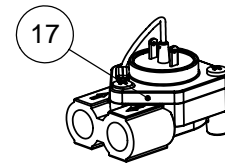
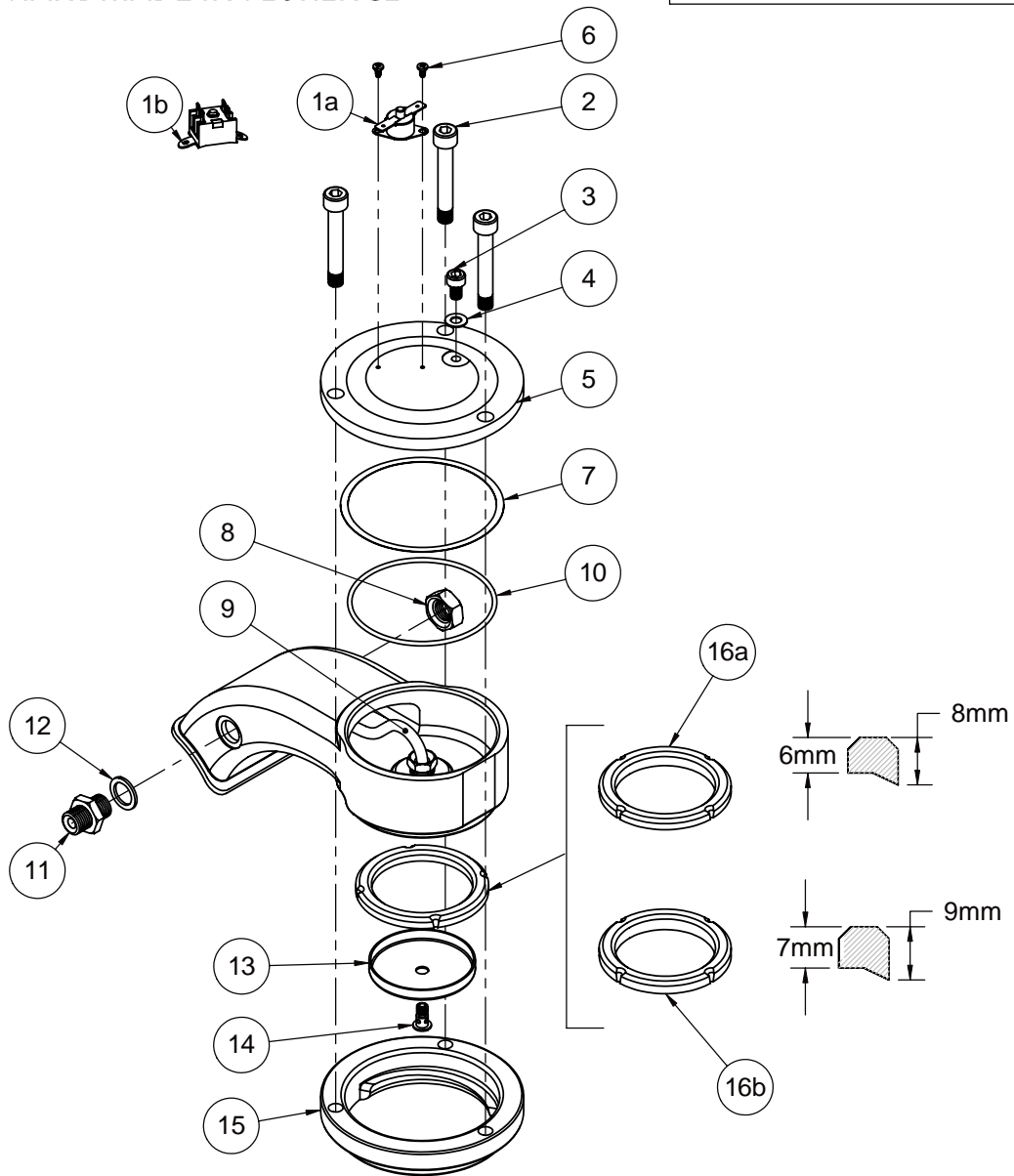
Autosteam assembly

Autosteam	Item	Part Number/Codice	Description	Descrizione
	1	A.1.007	autosteam cam shaft	albero a camme autosteam
	2	L165/8	cotter pin	coppiglia fermo volantino inox
	3	I.1.023	seeger ring	anello seeger per albero autost.
	4	A.1.006	mounting nut steam valve	dado 1/2" ES24 H6
	5	A.1.008	autosteam shaft support	supporto albero per autosteam
	6	I.5.001	autosteam spring shaft	molla inox per manopola autost.
	7a	C.1.058.DX	autosteam right support	supporto lancia autosteam dx
	7b	C.1.058.SX	autosteam left support	supporto lancia autosteam sx
	8	I.1.021	S/S flared screw M4x6mm	vite inox svas. M4x6mm
	9	E.2.011	autosteam micro switch	micro per autosteam
	10a	VITE3x16	brass screw 3x16 tc din 84	vite ottone 3x16 tc din 84
	10b	RONDELLA4x9	brass washer 4x9	rondella ottone 4x9 sp.0,8
	10c	DADO3M	brass nut M3	dado ottone M3 UNI 5588
	11	T.2.002	autosteam wand with PT1000 temp. probe	lancia vap. con PT1000 autosteam
	12	L100/D	copper washer 14x10x1,5	rondella rame 14x10x1,5
	13	L100/C	fitting for 3 way solenoid valve	raccordo 1/8"M-1/8"F EV 3 vie
	14	T.1.002	solenoid valve "t" tube	tubo "t" - EV cod.B
	15	L037/3	1/4" nipple nickel-plated	nipplo 1/4"M es19 nichelato
16	L100/1A	copper washer	rondella rame 19x13,5x1,5	
17	B.2.009	stainless steel solenoid valve Ø5,5mm	EV AISI316 per autosteam Ø5,5mm	
18a	T.1.050	ball valve aut/steam s/valve tubing connection	tubo rubinsfera - EV autosteam	
18b	T.1.050.SX	ball valve aut/steam s/valve tubing connection - left	tubo rubinsfera - EV autosteam - sx	
19	L164	ball valve with metal knob	rubinetto a sfera 3/8"M-F	

Autosteam assembly

Autosteam	20	L180/1	copper washer	rondella rame 22x17x1,5
	21	L305/N	nipplo 3/8" M - 3/8" M	nipplo 3/8"M - 3/8"M
	22a	T.1.020	s. boiler b. valve tubing connection	tubo c.vap.-rub.sfera - destro
	22b	T.1.010	s. boiler b. valve tubing connection - left	tubo c.vap.-rub.sfera - sinistro
	23	L177	autosteam tip	diffusore autosteam
	24	F.2.016	autosteam tip O-ring	O-ring diffusore autosteam
	25a	I.1.022.C	short limit pin	piolino fine corsa lancia autosteam corto
	25b	I.1.022	limit pin	piolino fine corsa lancia autosteam
	26	F.4.004	bottom PTFE gasket	guarnizione in PTFE inferiore
	27	F.4.003	autosteam top seat O-ring	O-ring per tenuta superiore in PTFE
	28	F.4.002	top PTFE gasket	guarnizione in PTFE superiore
	29	F.2.015	top O-ring	O-ring pressore
	30a	980	right autosteam kit	kit autosteam destro
	30b	980SX	left autosteam kit	kit autosteam sinistro
31	LAD3D5/A	autosteam switch CPU flat cable	flat per CPU	
32	E.4.017	autosteam solenoid valve wiring	cablaggio EV autosteam	
33	5.V001	UL cable ties	fascette UL	
	Item	Part Number/Codice	Description	Descrizione

Group



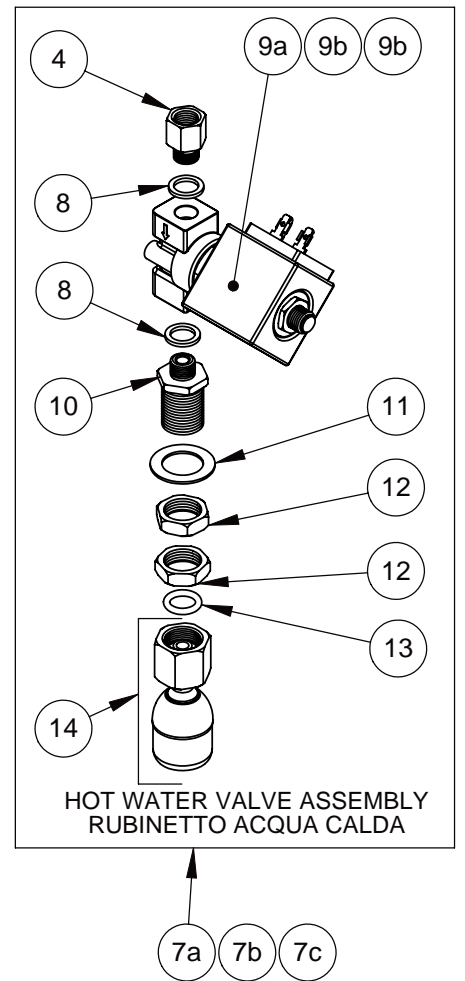
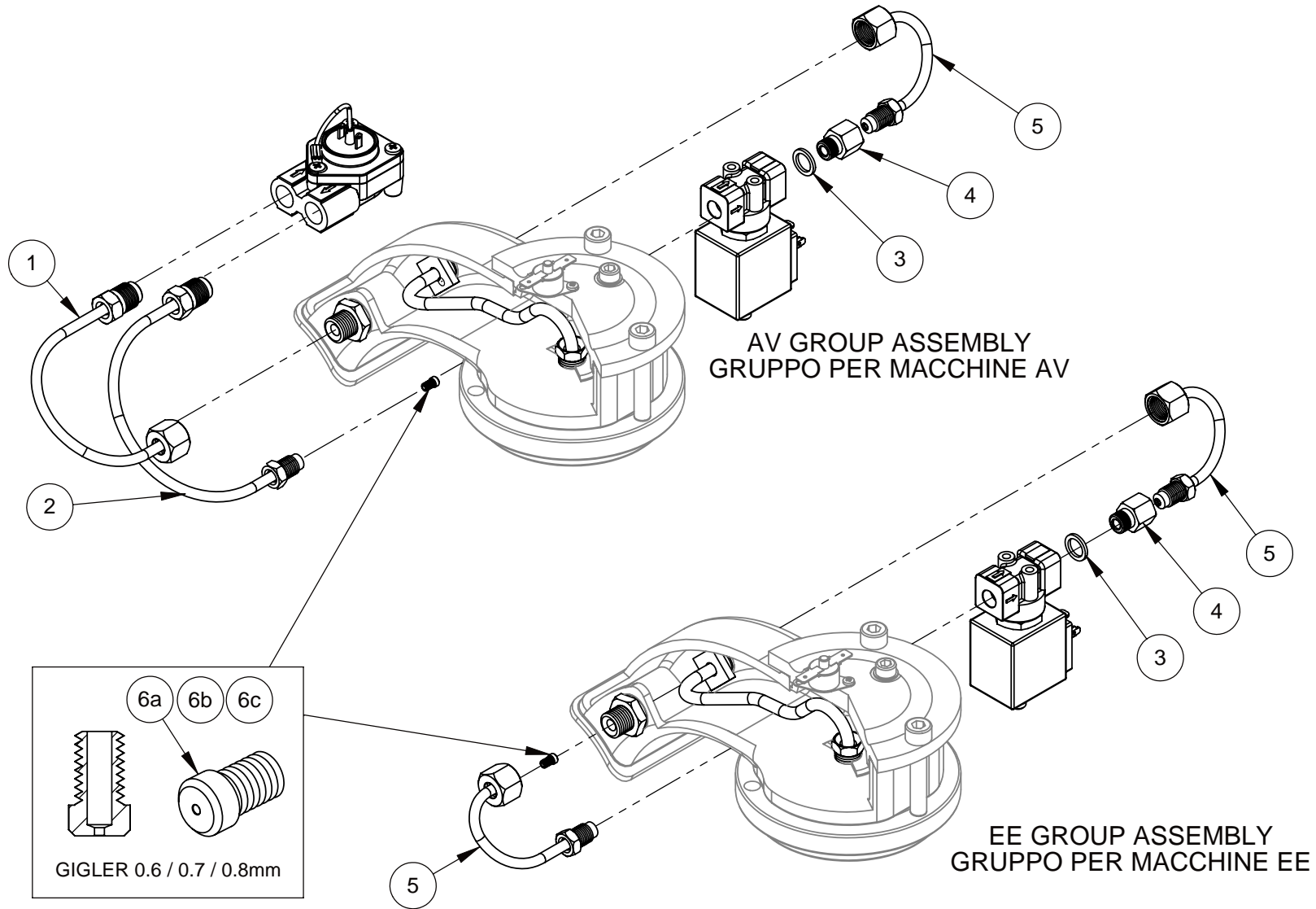


HANDMADE IN FLORENCE

Group

Gruppo	1a	L276	UL unipolar safety thermostat 250°F	termostato sicurezza 130° C unipolare
	1b	L276/B	bipolar safety thermostat 250°F	termostato sicurezza 130° C bipolare
	2	L110	group assembly bolt S/S	bullone 8x52 fil.8 brugola acc.inox
	3	L120/2	level drain bolt	bullone acc.inox 6x10 t.brug.
	4	L120/2A	copper washer 12x6x1	rondella rame 12x6x1
	5	L103	group cover	coperchio gruppo
	6	VITEAUT2,9x4,5	screw 2,9x4,5	vite autofilt. fe zin. 2,9x4,5
	7	L103/B	group fiber gasket	guarn. piana 87x81x0,5
	8	L100/5	locknut, 1/4"	controdado 1/4" gas es.20
	9	TL29	tube, internal group	tubo interno gruppo
	10	L103/A	group cover O-ring	guarnizione or 8-2-151 Viton
	11	L037/3	fitting, 1/4" BSPP to 1/4" BSPP	nipplo 1/4"M. es.19 nichelato
	12	L100/1A	copper washer, 19x13.5x1.5	rondella rame 19x13,5x1,5
	13	L107	diffuser screen	doccetta
	14	L106/V	diffuser screw	vite diffusore acc. inox dm.10
	15	L109	chromium plated bayonet ring	anello portacoppa cromato
	16a	L105/B8	8mm group gasket (standard)	guarn. sottocoppa 8mm (standard)
	16b	L105/B9	9mm group gasket	guarn. sottocoppa 9mm
	17	LAD070	flow meter assembly, complete	contatore volumetrico
	18	LAD070/S	flow meter sensor	sensore del contatore volumetrico
	19	LAD070/S1	flow meter O-ring	guarn.O-ring 8-2112 v.x cont.vol.
	20	LAD070/V	flow meter impeller	girante per contatore volumetrico
	21a	L100/G	solenoid coil, 220V	bobina a 220V x elettrovalvola
	21b	L100/G200	solenoid coil, 200V	bobina a 200V x elettrovalvola
	21c	L100/G240	solenoid coil, 240V	bobina a 240V x elettrovalvola
	22	L100/H	solenoid plunger, 3 way and 2 way	nucleo mobile x elettrovalv. 3 vie/2 vie
	23a	L100/E	solenoid valve assembly, 3 way, 220V	elettrovalvola 3 vie, 220V
	23b	L100/E200	solenoid valve assembly, 3 way, 200V	elettrovalvola 3 vie, 200V
23c	L100/E240	solenoid valve assembly, 3 way, 240V	elettrovalvola 3 vie, 240V	
23d	L053	solenoid valve assembly, 2 way, 220V	elettrovalvola 2 vie, 220V	
23e	L053/200	solenoid valve assembly, 2 way, 200V	elettrovalvola 2 vie, 200V	
23f	L053/240	solenoid valve assembly, 2 way, 240V	elettrovalvola 2 vie, 240V	
	Item	Part Number/Codice	Description	Descrizione

Group assembly



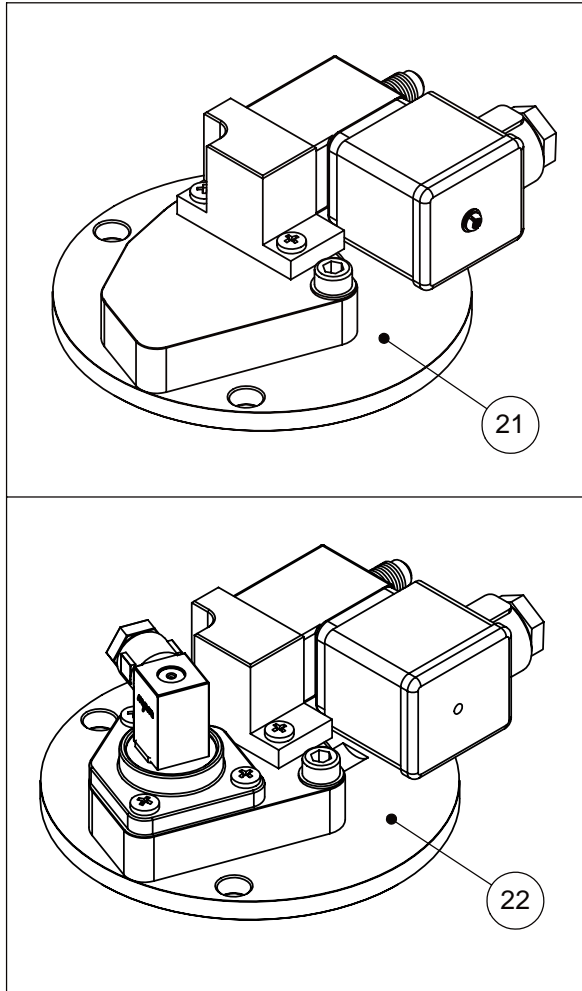
Group assembly

Gruppo completo	1	TLAD01	tube, group assembly to flow meter, 2, 3 or 4Gr	tubo gruppo-contatore volumetrico, 2/3/4 Gr
	2	TLAD02	tube, flow meter to solenoid valve, 2, 3 or 4Gr	tubo contatore volumetrico-elettrovalvola 2/3/4 Gr
	3	L100/D	copper washer	rondella rame 14x10x1,5
	4	L100/C	fitting 1/8"M to 1/8"F	raccordo 1/8"M-1/8"F elettrovalvola 3 vie
	5	TL25/26	solenoid valve tube	tubo gruppo-elettrovalvola
	6a	L087/GI6	gigler 0,6mm	gigler 0,6mm
	6b	L087/GI7	gigler 0,7mm	gigler 0,7mm
	6c	L087/GI8	gigler 0,8mm	gigler 0,8mm
	7a	L053/D	hot water valve complete, 220V	valvola acqua calda completa, 220V
	7b	'L053/D200	hot water valve complete, 200V	valvola acqua calda completa, 200V
	7c	'L053/D240	hot water valve complete, 240V	valvola acqua calda completa, 240V
	8	L100/D	copper washer	rondella rame 14x10x1,5
	9a	L053	solenoid valve, 2 way, hot water, 220V	elettrovalvola 2 vie, 220V
	9b	L053/200	solenoid valve, 2 way, hot water, 200V	elettrovalvola 2 vie, 200V
9c	L053/240	solenoid valve, 2 way, hot water, 240V	elettrovalvola 2 vie, 240V	
10	L053/2	fitting, solenoid valve to hot water spout	raccordo nichelato 1/8"M-3/8"M elettrovalv.2 vie	
11	L165/2	washer, steam wand	rondella ottonexsnodo 16x26x1	
12	L183/1	locknut, for hot water valve, chrome plated	controdado 3/8" cromato	
13	L169/A1	Teflon gasket	guarnizione Teflon FA 112	
14	L160	hot water spout	diffusore acqua calda	
	Item	Part number/Codice	Description	Descrizione

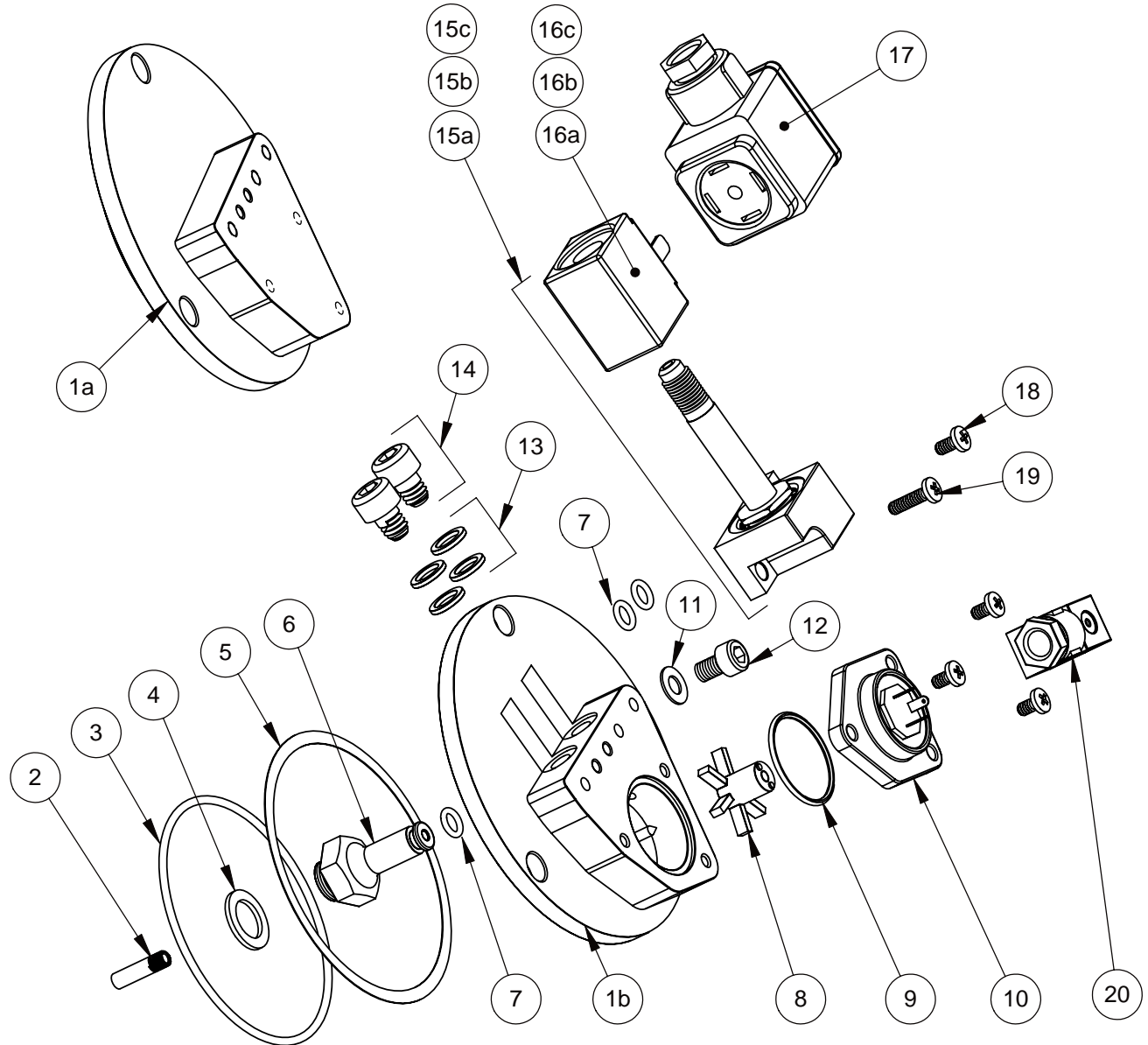


HANDMADE IN FLORENCE

Group Caps are standard from s/n 2075
I Group Cap sono montati come standard dal s/n 2075



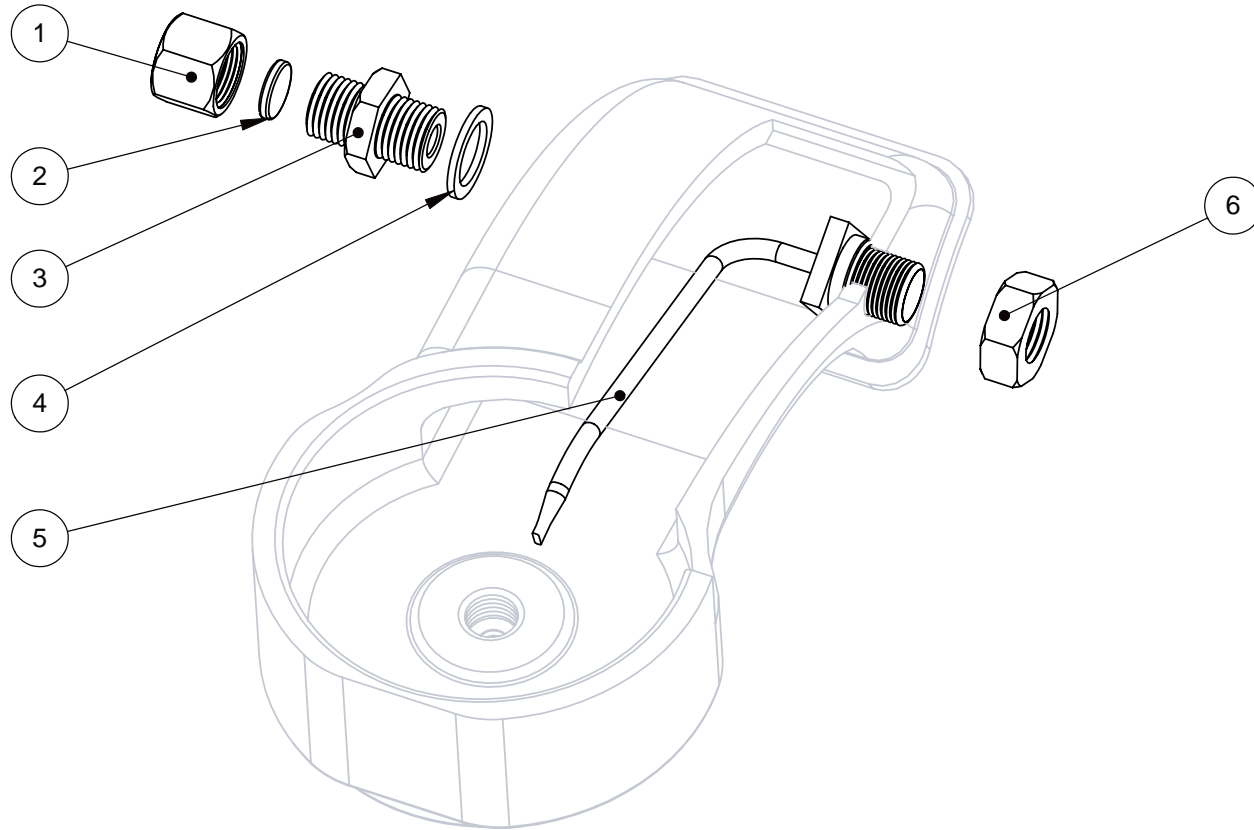
Group cap assembly - AV & EE



Group cap assembly - AV & EE

Coperchio gruppo - AV & EE	1a	L103/EE	group cover for EE model	coperchio mod. EE nichelato
	1b	L103/FGC	group cover with flow-meter for AV model	coperchio + flussometro nichelato per mod. AV
	2	F.2.003	ruby restrictor	gigler in rubino sintetico
	3	L103/A	group cover O-ring	guarnizione or 8-2-151 Viton
	4	L100/1A	copper washer	rondella rame 19x13,5x1,5
	5	L103/B	group fiber gasket	guarn. piana 87x81x0,5
	6	A.2.009	adaptor	canotto erogazione
	7	H.1.006	O-ring adaptor	O-ring per canotto
	8	LAD070/V	flow-meter impeller	girante per contatore volumetrico
	9	LAD070/S1	flow-meter O-ring	O-ring contatore volumetrico
	10	LAD070/GC	flow-meter sensor	testa contatore volumetrico
	11	L120/2A	copper washer	rondella rame 12x6x1
	12	L120/2	level drain bolt	bullone acc.inox 6x10 t.brug.
	13	I.4.002	copper washer	rondella rame 12x8x1,5
	14	I.1.019	stainless steel hexagonal bolt	viti inox m8x10 t.cil. brugola
	15a	B.2.004	3-way solenoid valve 90°	elettrovalvola 3vie a 90°
	15b	B.2.004/200	3-way solenoid valve 90° 200V	elettrovalvola 3vie a 90° 200V
	15c	B.2.004/240	3-way solenoid valve 90° 240V	elettrovalvola 3vie a 90° 240V
	16a	L100/G	solenoid coil 220V	bobina per elettrovalvola 220V
	16b	L100/G200	solenoid coil 200V	bobina per elettrovalvola 200V
	16c	L100/G240	solenoid coil 240V	bobina per elettrovalvola 240V
	17	L205	solenoid valve connector	connettore per elettrovalvola
	18	I.1.005	hexagonal bolt 5x10	bullone 5x10 testa brugola
	19	I.1.011	hexagonal bolt 5x14	bullone 5x14 testa brugola
20	LAD070/CGC	flow-meter connector	connettore per flussometro	
21	940/EE	EE group cap kit	kit nuovo coperchio gruppo EE	
22	940/AV	AV group cap kit	kit nuovo coperchio gruppo AV	
	Item	Part Number/Codice	Description	Descrizione

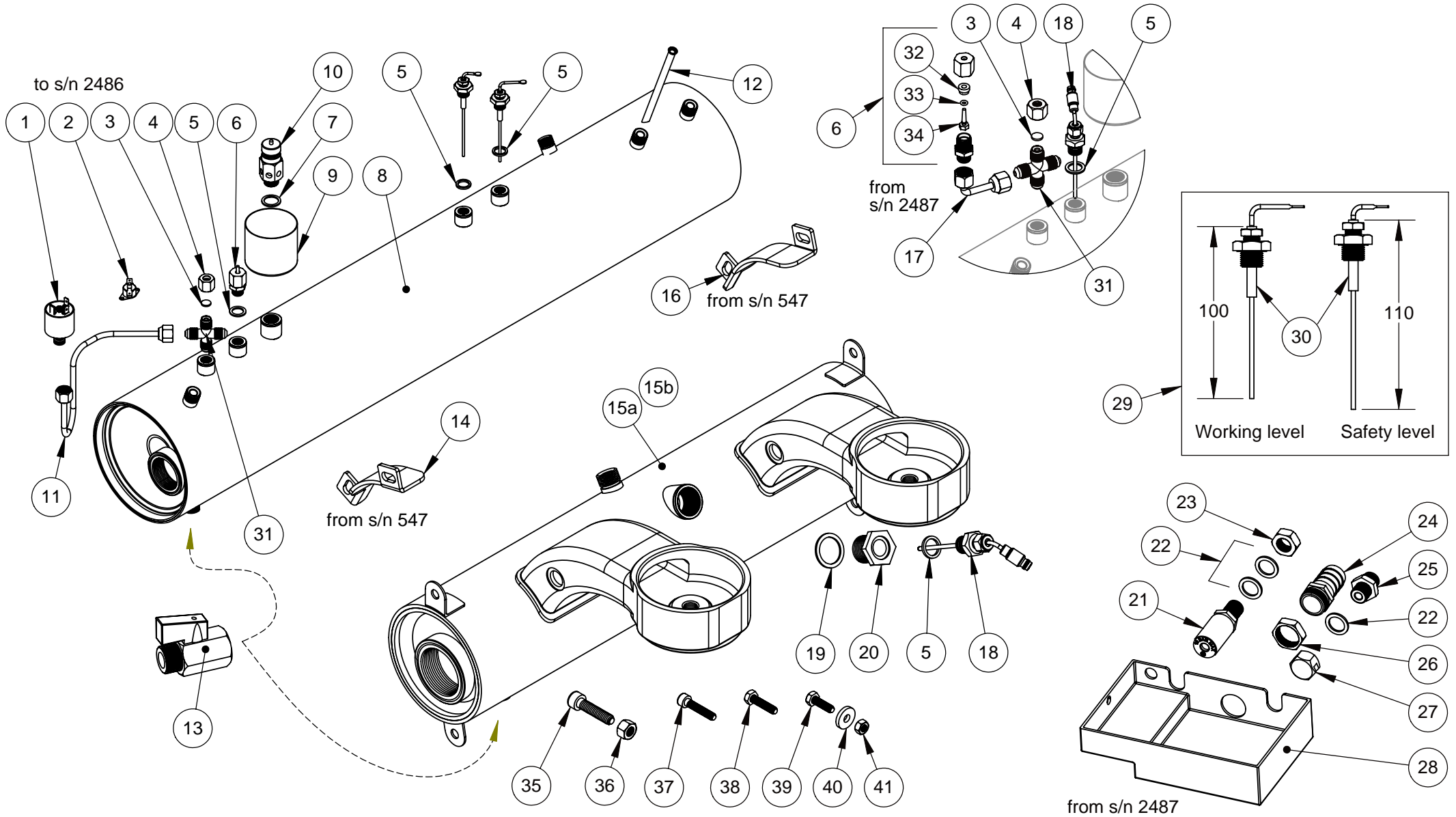
Group cap assembly - AV & EE



Group cap assembly - AV & EE

Coperchio gruppo - AV & EE	1	L130/4	1/4" flat nut	racc. 1/4"F interno piano es17
	2	L137/4	11mm blind ferrule	ghiandina Ø11mm
	3	L037/3	1/4" nipple nickel-plated	nipplo 1/4"M es19 nichelato
	4	L100/1A	copper washer	rondella rame 19x13,5x1,5
	5	B.1.003	right cap for group	tappo dx per gruppo
	6	L100/5	inside lock nut	dado 1/4" gas es20
	<i>Item</i>	<i>Part Number/Codice</i>	<i>Description</i>	

Boiler assembly



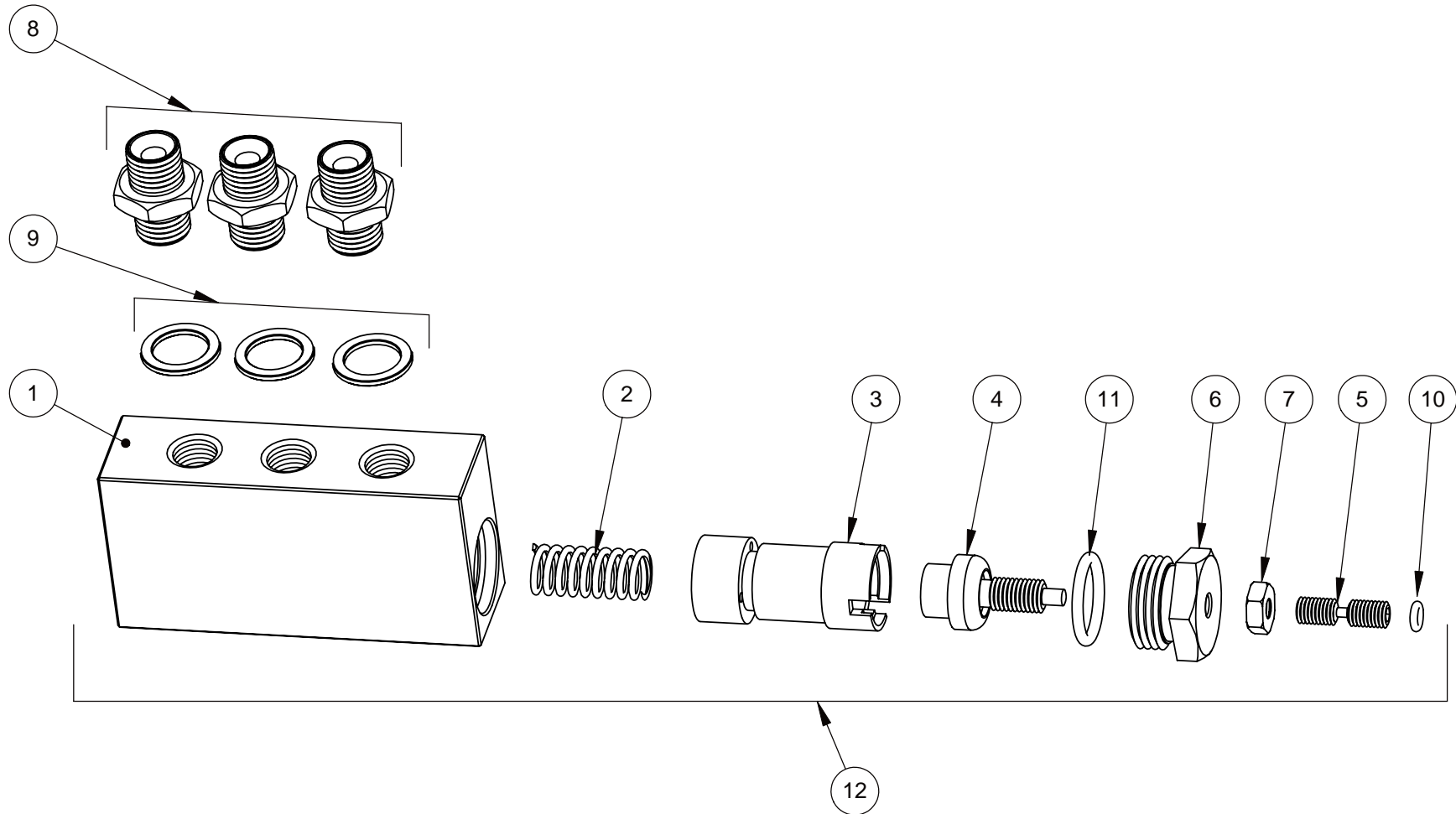
Boiler assembly

Caldaie	1	L271	pressure switch, 56122N	pressostato, 56122N
	2	L276	manual reset thermostat 250° (single pole)	termostato sicurezza 130°C unipolare
	3	L137/4	blind ferrule, 11mm	ghiandina dm.11 chiusa
	4	L130/2	nut, tube 1/4"x6mm	raccordo f.1/4" es.16
	5	L100/1A	copper washer	rondella rame
	6	L190	vacuum breaker	valvola decompressione 1/4"gas
	7	L180/1	copper washer	rondella rame 22x17x1,5
	8	L154/*VGB/5	*Gr steam boiler	caldaia vapore grande *Gr
	9	F.1.004	safety valve drain tray	vasch. scarico valvola sicurezza
	10	L180	pressure relief valve	valvola sicurezza 1,8 bar
	11	TL09	tube steam boiler - pressostat	tubo pressostato-cald.vapore
	12	TL07/G	hot water suction tube	tubo pescaggio acqua caldaia vapore
	13	L164	ball valve	rubinetto a sfera 3/8" M-F
	14	C.1.036.SX	bracket for GB/5 coffee boiler - left (from s/n 547)	staffa caldaia GB/5 - sinistra (dal s/n 547)
	15a	L152/2WD	brew boiler subassembly, 4 group, right, type w	caldaia satura, w, tipo, 4 gruppi, dx
	15b	L152/*WS	brew boiler subassembly *Gr group, type W	caldaia satura, tipo W, *Gr
	16	C.1.036.DX	bracket for GB/5 coffee boiler - right (from s/n 547)	staffa caldaia GB/5 - destra (dal s/n 547)
	17	T.1.060	vacuum breaker steam boiler tubing connection	tubo per valvola antirisucchio caldaia vapore
	18	E.1.005	PT1000 temperature probe	sonda temperatura PT1000
	19	L260/1A	copper washer 27x21x1,5	rondella rame 27x21x1,5
	20	A.2.007	PT1000 temperature probe adaptor	riduzione per sonda PT1000
21	L140 C	expansion valve	valvola espansione completa	
	Item	Part Number/Codice	Description	Descrizione
* =number of groups / numero gruppi				

Boiler assembly

Caldaje	22	L037/4	copper washer, drain box	rondella ot.26x14 tranciata
	23	L146	expansion valve nut	dado 1/4" gas es.19
	24	L037/2PGR	fitting, drain box hose barb	portagomma dm. 20mm es.22
	25	L037/3	fitting, 1/4" BSPP to 1/4" BSPP	raccordo 1/4"m es.19mm
	26	L037/D	drain box nut	dado 1/2" gas esagono 23
	27	L037/3R	break drain fitting	rompigetto es. 19mm
	28	F.1.002.01	drain box (from s/n 2487)	pozzetto scarico (dal s/n 2487)
	29	LA052	autofill probe	sonda livello TL10/B mm.
	30	LA052/1	teflon insulator	isolatore in teflon per sonda
	31	L129	1/4" cross fitting nickel	raccordo croce 1/4"GAS nich.
	32	B.3.001	teflon seal for vacuum breaker	tenuta in teflon per valvola antirisucchio
	33	F.2.019	silicon O-ring 102 70SHA	O-ring 102 silicone 70SHA
	34	B.2.013	vacuum breaker O-ring shaft	asta per valvola antirisucchio
	35	VITE8X35TB	zinc screw 8x35 allen head (3 Gr)	vite fe.zincato 8x35 t.brugola (3 Gr)
	36	DADO8M	zinc nut M8 (3 Gr)	dado fe.zincato M8 (3 Gr)
	37	I.1.013	6x30 bolt socket head (3 Gr)	bullone 6x30 testa brugola (3 Gr)
	38	VITE6X25	zinc screw 6x25 (2 Gr)	vite fe.zincato 6x25 esagono (2 Gr)
	39	VITE6X20	zinc screw 6x20	vite fe.zincato 6x20 esagono
	40	L165/9	zinc washer 6,5x18x3	rondella zincata 6,5x18x3
	41	DADO6M	zinc nut M6	dado fe.zincato M6
	<i>Item</i>	<i>Part Number/Codice</i>	<i>Description</i>	<i>Descrizione</i>

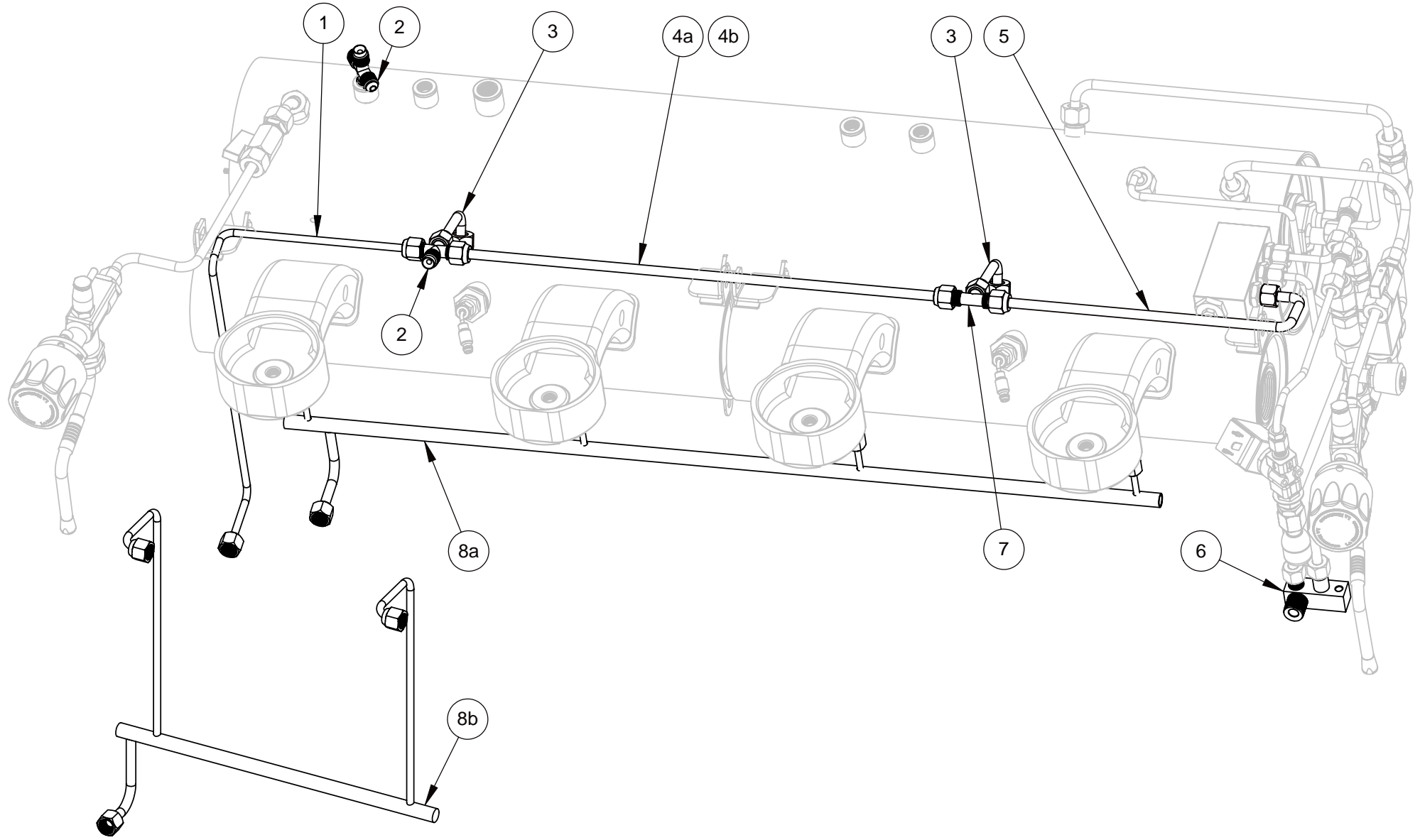
Pre-heating mix valve



Pre-heating mix valve

Valvola termostatica	1	B.2.002	pre-heating mix valve body	corpo valvola termostatica
	2	F.3.002	pre-heating mix valve spring	molla valvola termostatica
	3	A.2.005	pre-heating mix valve tower inlet closer	cilindro miscelatore valvola termostatica
	4	E.5.001	pre-heating mix valve actuator	attuatore per valvola termostatica
	5	I.1.001	pre-heating mix valve setting screw	grano inox per regolazione valvola termostatica
	6	A.2.006	pre-heating mix valve cap	tappo per valvola termostatica
	7	I.1.002	pre-heating mix valve nut	dado fissaggio grano di regolazione
	8	L037/3	pre-heating mix valve nipple	nipplo 1/4"M. ES 19 nichelato
	9	L100/1A	pre-heating mix valve copper washer	rondella rame 19x13,5x1,5
	10	H.1.001	pre-heating mix valve O-ring screw	O-ring Viton grano di regolazione
	11	H.1.002	pre-heating mix valve O-ring cap	O-ring Viton tappo valvola termostatica
	12	B.2.003	pre-heating mix valve	valvola termostatica nichelata completa
<i>Item</i>	<i>Part number/Codice</i>		<i>Description</i>	<i>Descrizione</i>

Hydraulic assembly



Hydraulic assembly

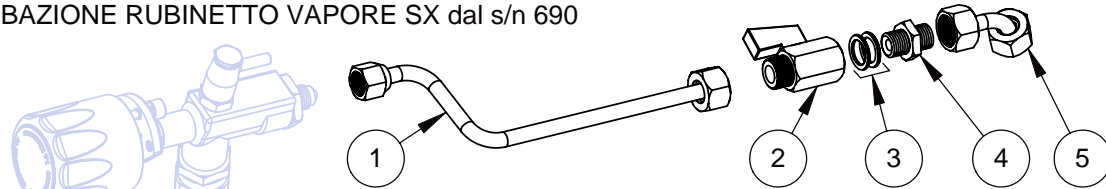
Impianto idraulico	1	T.1.009	tube fitting cross - expansion valve	tubo crocera - valvola espansione
	2	L129	fitting, 1/4" cross	raccordo croce 1/4"gas nich.
	3	TL06	tube, cross fitting to brew boiler	tubo crocera-caldaia satura
	4a	TL05/3	tube, tee fitting to cross fitting 3gr	tubo collegamento crocere 3Gr
	4b	TL05/4	tube, tee fitting to cross fitting 4gr	tubo collegamento crocere 4Gr
	5	T.1.018	tube mix valve - coffee boiler	tubo valv. termostatica - caldaia caffè
	6	A.2.001	incoming water manifold	collettore ingresso acqua
	7	A.2.002	fitting, 1/4" tee	raccordo a tee 1/4"gas
	8a	T.1.012.*	*Gr solenoid valve drain tube	tubo scarico EV GB/5 *Gr
	8b	T.1.021.*	GB/5 & FB/80 group cap solenoid valve drain tube *Gr	GB/5 & FB/80 tubo scarico ev *Gr
Item	Part Number/Codice	Description		Descrizione
* = number of groups / numero gruppi				



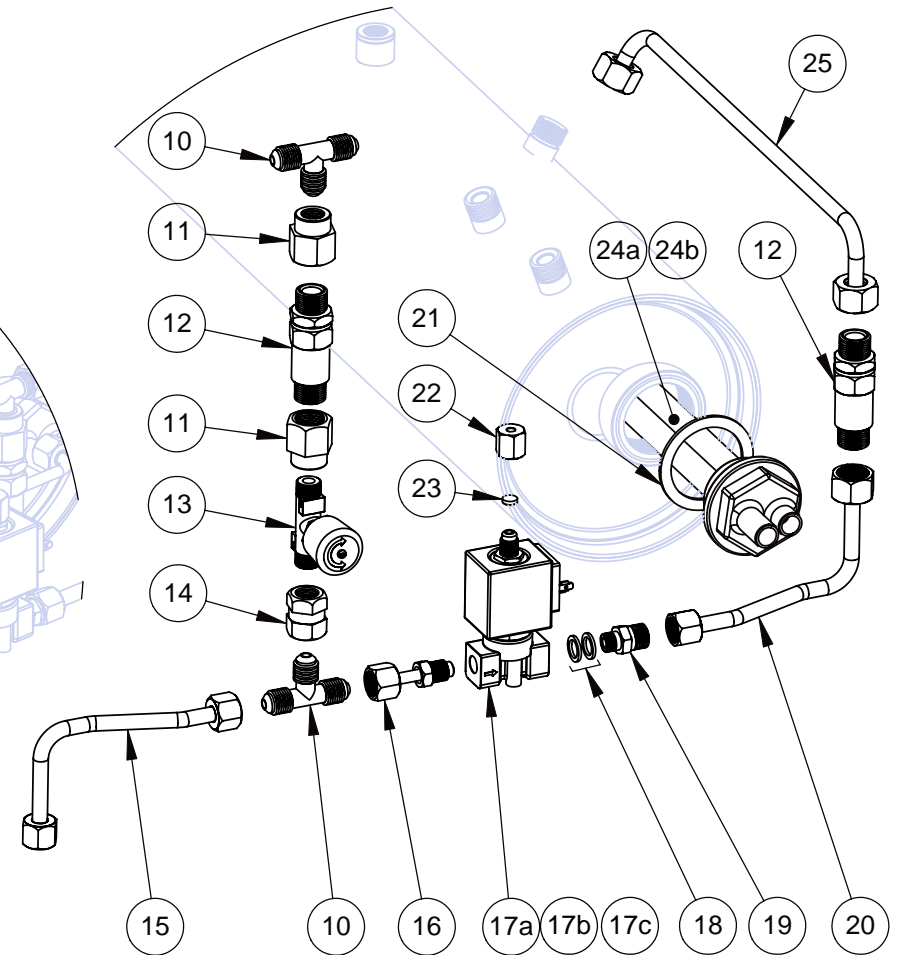
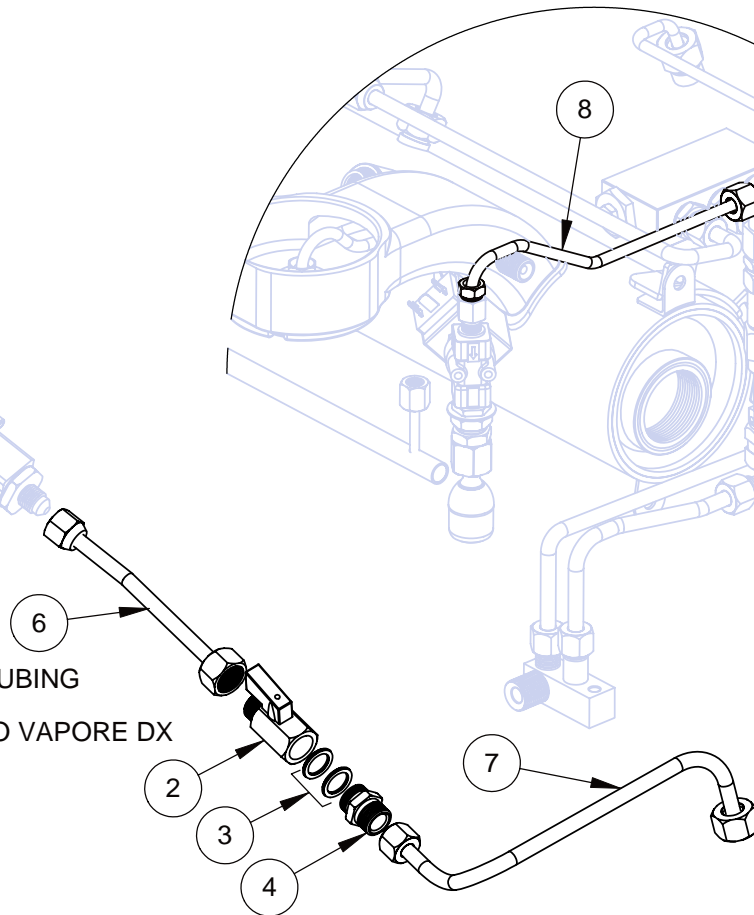
HANDMADE IN FLORENCE

Hydraulic assembly

LEFT STEAM VALVE TUBING from s/n 690
TUBAZIONE RUBINETTO VAPORE SX dal s/n 690



RIGHT STEAM VALVE TUBING
from s/n 690
TUBAZIONE RUBINETTO VAPORE DX
dal s/n 690

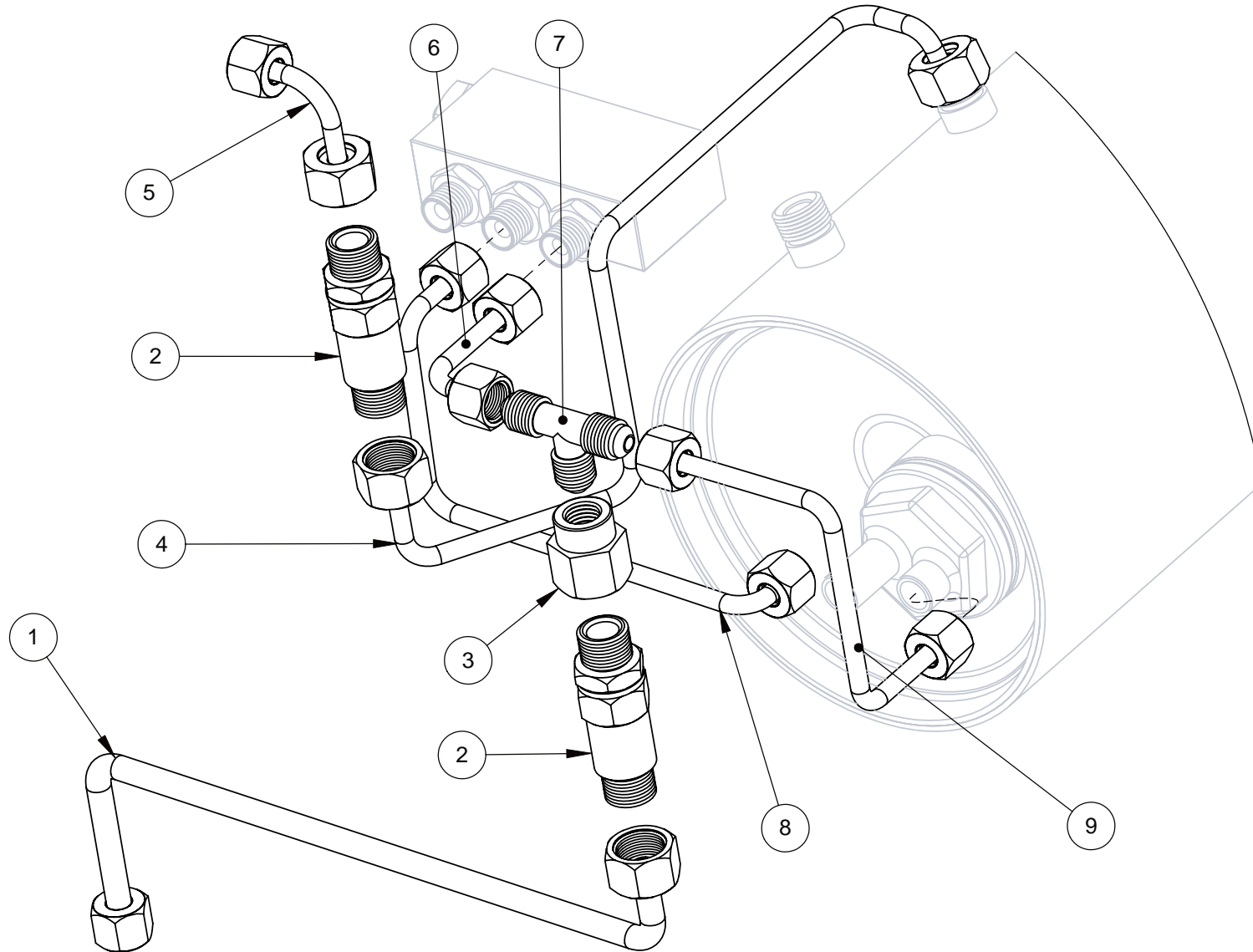


Hydraulic assembly

Impianto idraulico

1	T.1.011	tube sphere valve-left steam valve	tubo rub. vapore Sx
2	L164	ball valve	rubinetto a sfera 3/8" M-F
3	L180/1	copper washer, pressure relief valve	rondella rame 22x17x1,5
4	L305/N	nipple 3/8 M - 3/8 M	nipple 3/8 M - 3/8 M
5	T.1.010	tube steam boiler-left steam valve (from s/n 690)	tubo c.vap-rub. sfera sx
6	T.1.048	tube sphere valve-right steam valve	tubo-rub.sfera-rub. vapore dx
7	T.1.020	tube steam boiler-right steam valve (from s/n 690)	tubo c.vap.-rub. sfera dx
8	T.1.007	hot water T tube	tubo T acqua calda
9	L160	hot water spout assembly	diffusore acqua calda
10	A.2.002	fitting, 1/4" tee	raccordo a tee 1/4"gas
11	A.2.004	1/4"F - 3/8"F nick fitting	raccordo 1/4"F - 3/8"F nichelato
12	L032/P	check valve	valvola ritegno nichelata
13	B.2.001	water mix valve	valvola miscelazione acqua
14	A.2.003	1/4"F - 1/4"F nick fitting	raccordo 1/4"F - 1/4"F nichelato
15	T.1.001	manifold - T tube	tubo collettore - T
16	T.1.002	tube T - solenoid valve	tubo T - EV
17a	L100/E	3 way solenoid valve - 220V	elettrovalvola 3 vie, 220V
17b	L100/E200	3 way solenoid valve - 200V	elettrovalvola 3 vie, 200V
17c	L1007E240	3 way solenoid valve - 240V	elettrovalvola 3 vie, 240V
18	L100/D	copper washer	rondella rame 14x10x1,5
19	L053/1	fitting, 1/8"M to 1/4"M	raccordo 1/8"M-1/4"M x elettrovalvola
20	T.1.003	tube solenoid - check valve	tubo EV - valvola di non ritorno
21	LR360	heat-exchanger gasket	guarnizione piana dim. 55x42x2 scambiatore
22	L134	fitting, 1/8"F nut for 4mm tube	raccordo 1/8"F es.14 foro 4,5
23	L134/4	ferrule, 8mm blind	ghiandina Ø8 chiusa
24a	T.1.015	pre-heater 2Gr	preriscaldatore 2Gr
24b	T.1.019	pre-heater 3/4Gr	preriscaldatore 3/4Gr
25	T.1.004	tube check valve-steam boiler	tubo valvola non ritorno caldaia vapore
Item	Part Number/Codice	Description	Descrizione
* = number of groups / numero gruppi			

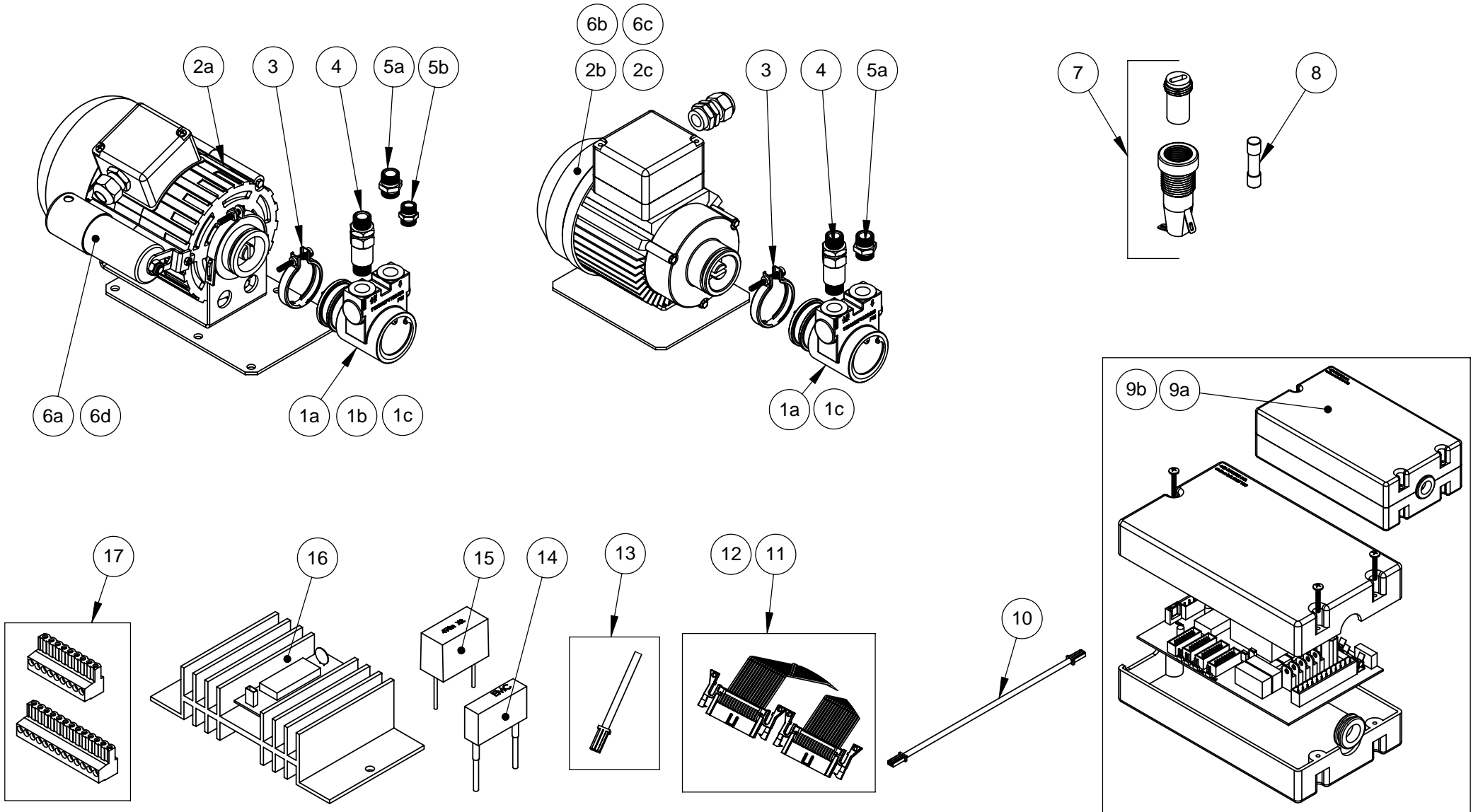
Hydraulic assembly



Hydraulic assembly

Impianto Idraulico	1	T.1.013	tube inlet manifold - check valve	tubo ancoraggio - valv. non ritorno
	2	L032/P	check valve	valvola ritegno nichelata
	3	A.2.004	1/4"F - 3/8"F nick fitting	raccordo 1/4"F - 3/8"F nichelato
	4	T.1.006	tube check valve - steam boiler	tubo valvola non ritorno - caldaia vapore
	5	T.1.005	t tube - check valve	tubo T - valvola non ritorno
	6	T.1.017	tube T - mix valve	tubo T - valvola misc.
	7	A.2.002	fitting, 1/4" tee	raccordo a tee 1/4"gas
	8	T.1.016	tube heat-exchanger - mix valve	tubo preriscaldatore valv. termostatica
	9	T.1.014	tube T - heat-exchanger	tubo T - scambiatore
	Item	Part Number/Codice	Description	Descrizione
* = number of groups / numero gruppi				

Electrical system and pump

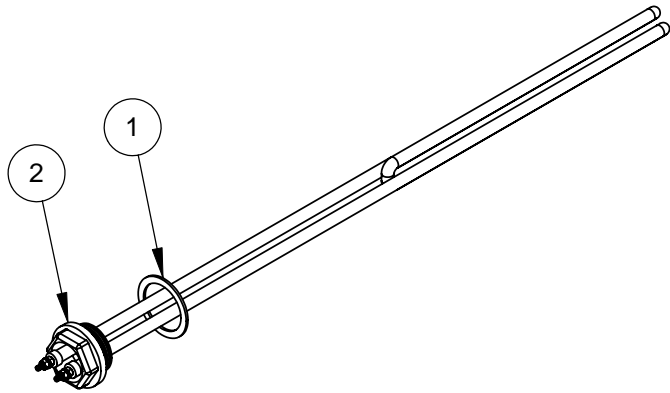


Electrical system and pump

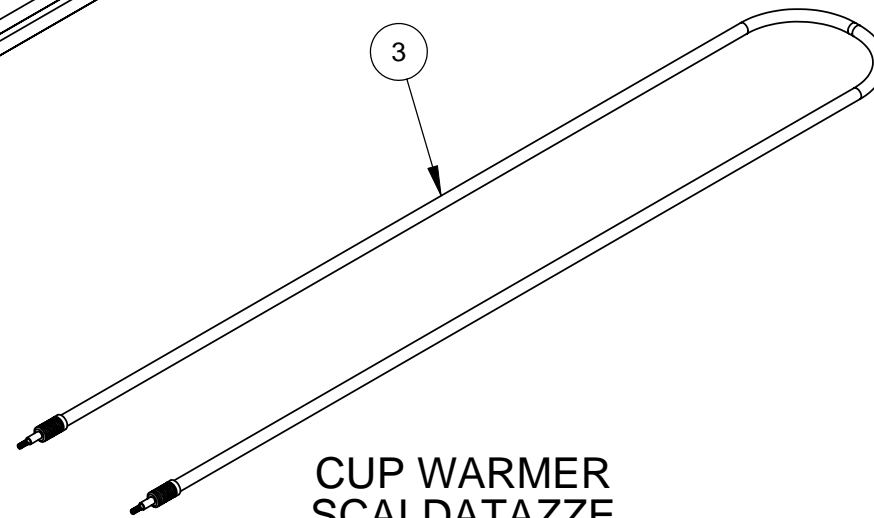
<i>Item</i>	<i>Part Number/Codice</i>	<i>Description</i>	<i>Descrizione</i>
1a	L290/1	pump 150 l/h	corpo pompante 150 l/h
1b	L290/2	pump 200 l/h	corpo pompante 200 l/h
1c	L290	Procon pump	corpo pompante Procon
2a	L290/8UL	220-240V motor (UL) (50-60 Hz)	motore 220-240V (UL) (50-60 Hz)
2b	L290/5	220V motor (CE) (50Hz)	motore 220V (CE) (50Hz)
2c	L290/7	200V motor (CE) (50-60Hz)	motore 200V (CE) (50-60Hz)
3	L290/C	clamp, pump to motor	fascetta per pompante
4	L032/P	check valve	valvola ritegno 3/8"gas
5a	L305/N	fitting 3/8"M-3/8M	nipplo 3/8"M-3/8M
5b	L306/G	nipple 3/8" to 9/16" compression	nipplo 3/8" - 9/16" a compressione
6a	L290/CUL	10 μ F motor L290/8UL condenser	condensatore 10 μ F (motore L290/8UL)
6b	L290/5C	6,3 μ F motor L290/5 condenser	condensatore 6,3 μ F (motore L290/5)
6c	L290/7C	8 μ F motor L290/7 condenser	condensatore 8 μ F (motore L290/7)
6d	L290/3CUL	10 μ F old version motor L290/3UL condenser	condensatore 10 μ F (motore superato L290/3UL)
7	E.2.004	fuse holder (only for UL version)	portafusibile (solo per la versione UL)
8	E.2.003	fuse 2A 250V (only for UL version)	fusibile 2A 250V (solo per la versione UL)
9a	E.1.001	CPU 2/3/4Gr for GB/5 & FB/80 AV	CPU 2/3/4Gr GB/5 & FB/80 AV
9b	E.1.010.01	CPU 2/3/4Gr for GB/5 & FB/80 EE - from s/n 2487	CPU 2/3/4Gr GB/5 & FB/80 EE - dal s/n 2487
10	E.4.004	Triac - brain cable GB/5	cavi colleg. Triac-centr. GB/5
11	LAD3D5/C05	3D5 button box cable 110cm	cavo pulsantiera 3D5 cm110
12	LAD3D5/C06	3D5 button box cable 140cm	cavo pulsantiera 3D5 cm140
13	E.4.011	tea ribbon cable button	cavo pulsante tè
14	L206	EMC filter	filtro EMC
15	L204	electromgn. compatibility filter	condensatori in serie antidisturbo
16	E.1.006	triac 2 x 2/3Gr - 3x4Gr	triac 2 x 2/3Gr - 3x4Gr
17	E.1.001.9/13	couple of GB/5 terminal connectors	coppia connettori GB/5

Impianto elettrico e pompa

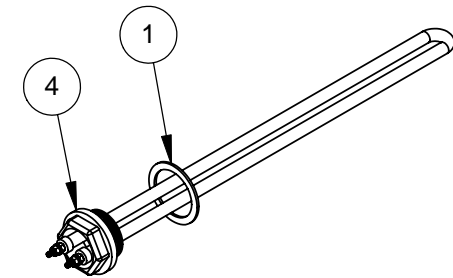
Heating elements



STEAM BOILER
CALDAIA VAPORE



CUP WARMER
SCALDATAZZE



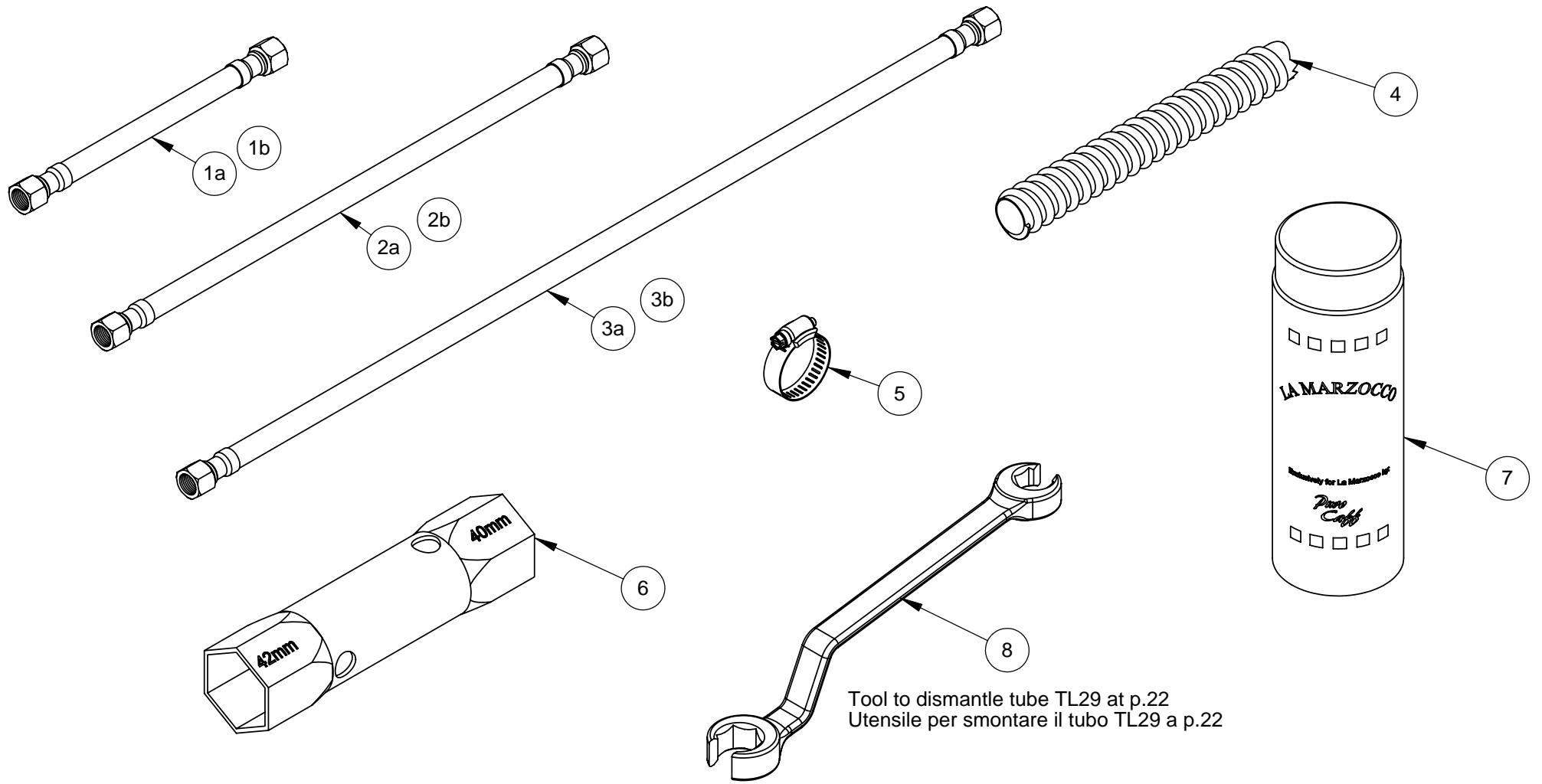
COFFEE BOILER
CALDAIA CAFFE'

Heating elements

Item	Part number/Codice	Description	Descrizione	
1	LR360	gasket	guarnizione piana 55x42x2	
	Standard	Standard elements for steam boiler	Resistenze standard per caldaia vapore	
	LR342/220B	W2000, 220V cm.29 1-1/4" 2Gr steam boiler element	resist. W2000, 220V cm.29 1-1/4" - caldaia vap. 2Gr	
	LR350/380B	W2000, 380V cm.29 1-1/4" 2Gr steam boiler element	resist. W2000, 380V cm.29 1-1/4" - caldaia vap. 2Gr	
	LR345/220B	W3000, 220V cm.50 1-1/4" 3Gr steam boiler element	resist. W3000, 220V cm.50 1-1/4" - caldaia vap. 3Gr	
	LR353/380B	W3000, 380V cm.50 1-1/4" 3/4Gr steam boiler element	resist. W3000, 380V cm.50 1-1/4" - caldaia vap. 3Gr	
	LR346/220B	W3800, 220V cm.50 1-1/4" 4Gr steam boiler element		
	LR358/200B	W2000, 200V cm.29 1-1/4" 2Gr steam boiler element	resist. W2000, 220V cm.65 1-1/4" - caldaia vap. 2Gr	
	LR359/200B	W3000, 200V cm.50 1-1/4" 3Gr steam boiler element	resist. W3000, 200V cm.50 1-1/4" - caldaia vap. 3Gr	
	2	High	High power elements for steam boiler	Resistenze maggiorate per caldaia vapore
		LR357/200B	W3000, 200V cm.39 1-1/4" 2Gr steam boiler element	resist. W3000, 200V cm.39 1-1/4" - caldaia vap. 2Gr
		LR357/220B	W3000, 220V cm.39 1-1/4" 2Gr steam boiler element	resist. W3000, 220V cm.39 1-1/4" - caldaia vap. 2Gr
		LR357/380B	W3000, 380V cm.39 1-1/4" 2Gr steam boiler element	resist. W3000, 380V cm.39 1-1/4" - caldaia vap. 2Gr
		LR356/200B	W4000, 200V cm.50 1-1/4" 3Gr steam boiler element	resist. W4000, 200V cm.50 1-1/4" - caldaia vap. 3Gr
		LR356/220B	W4000, 220V cm.50 1-1/4" 3Gr steam boiler element	resist. W4000, 220V cm.50 1-1/4" - caldaia vap. 3Gr
		LR356/380B	W4000, 380V cm.50 1-1/4" 3Gr steam boiler element	resist. W4000, 380V cm.50 1-1/4" - caldaia vap. 3Gr
		LR355/200B	W5000, 200V cm.65 1-1/4" 4Gr steam boiler element	resist. W5000, 200V cm.65 1-1/4" - caldaia vap. 4Gr
		LR355/220B	W5000, 220V cm.65 1-1/4" 4Gr steam boiler element	resist. W5000, 220V cm.65 1-1/4" - caldaia vap. 4Gr
		LR355/380B	W5000, 380V cm.65 1-1/4" 4Gr steam boiler element	resist. W5000, 380V cm.65 1-1/4" - caldaia vap. 4Gr
3	Standard	Cupwarmer elements	Resistenza scaldatazze	
	LR370	2Gr cupwarmer element W.280	resistenza scaldatazze 280W	
	LR371	3Gr cupwarmer element W.400	resistenza scaldatazze 400W	
	LR372	3Gr cupwarmer element W.600	resistenza scaldatazze 600W	
4	Standard	Standard elements for brew boiler	Resistenze standard per caldaia caffè	
	LR365/200	W1400, 200V cm.40 1-1/4" 2Gr brew boiler element	resist. W1400, 200V cm.40 1-1/4" - caldaia caffè 2Gr	
	LR365/220	W1400, 220V cm.40 1-1/4" 2Gr brew boiler element	resist. W1400, 220V cm.40 1-1/4" - caldaia caffè 2Gr	
	LR365/380	W1400, 380V cm.40 1-1/4" 2Gr brew boiler element	resist. W1400, 380V cm.40 1-1/4" - caldaia caffè 2Gr	
	LR362/220	W1600, 220V cm.65 1-1/4" 3Gr brew boiler element	resist. W1600, 220V cm.65 1-1/4" - caldaia caffè 3Gr	
	LR364/380	W1600, 380V cm.65 1-1/4" 3Gr brew boiler element	resist. W1600, 380V cm.65 1-1/4" - caldaia caffè 3Gr	
	High	High power elements for brew boiler	Resistenze maggiorate per caldaia caffè	
	LR366/200	W1900, 200V cm.65 1-1/4" 3Gr brew boiler element	resist. W1900, 200V cm.65 1-1/4" - caldaia caffè 3Gr	
	LR366/220	W1900, 220V cm.65 1-1/4" 3Gr brew boiler element	resist. W1900, 220V cm.65 1-1/4" - caldaia caffè 3Gr	
	LR366/380	W1900, 380V cm.65 1-1/4" 3Gr brew boiler element	resist. W1900, 380V cm.65 1-1/4" - caldaia caffè 3Gr	

Resistenze elettriche

Hoses and accessories



Hoses and accessories

Tubi e accessori	1a	L305/050	50cm stainless steel braided hose 3/8"F	tubo flessibile inox 3/8"F 50cm
	1b	L306/050	50cm stainless steel braided hose, 9/16" compression	tubo flex inox 9/16"F 50cm NSF
	2a	L305/120	120cm stainless steel braided hose 3/8"F	tubo flessibile inox 3/8"F 120cm
	2b	L306/120	120cm stainless steel braided hose, 9/16" compression	tubo flex inox 9/16"F 120cm NSF
	3a	L305/210	210cm stainless steel braided hose 3/8"F	tubo flessibile inox 3/8"F 210cm
	3b	L306/210	210cm stainless steel braided hose, 3/8" compression	tubo flex inox 3/8"F 210cm NSF
	4	L309	clear armoured drain hose	tubo spingvin elastic 20mm
	5	L312	hose clamp	fascetta serratubo mm. 14/24
	6	UT360/42	element tool 40/42	chiave resistenza 40/42
7	V067	La Marzocco puro caff cleaner	La Marzocco puro caff prodotto per pulizia	
8	UT107	mounting key for TL29	chiave montaggio TL29	
	<i>Item</i>	<i>Part Number/Codice</i>	<i>Description</i>	<i>Descrizione</i>