

**CTW**

**INDICE - INDEX - SOMMAIRE - VERZEICHNIS**

**CTW-01**

CARROZZERIA - BODY PARTS  
CAROSSERIE - KAROSSERIE

rev.

**00**  
01/20FH

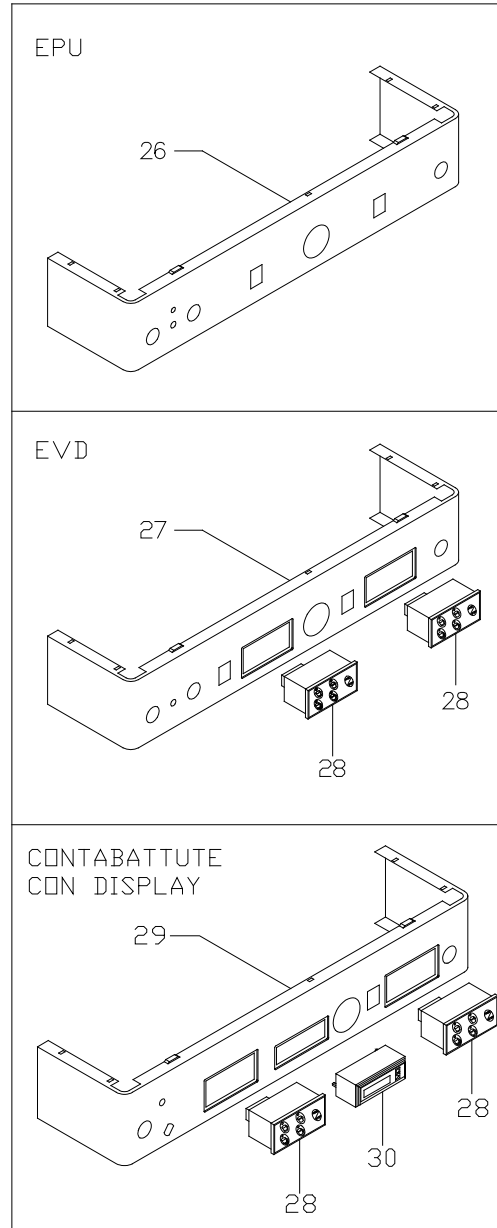
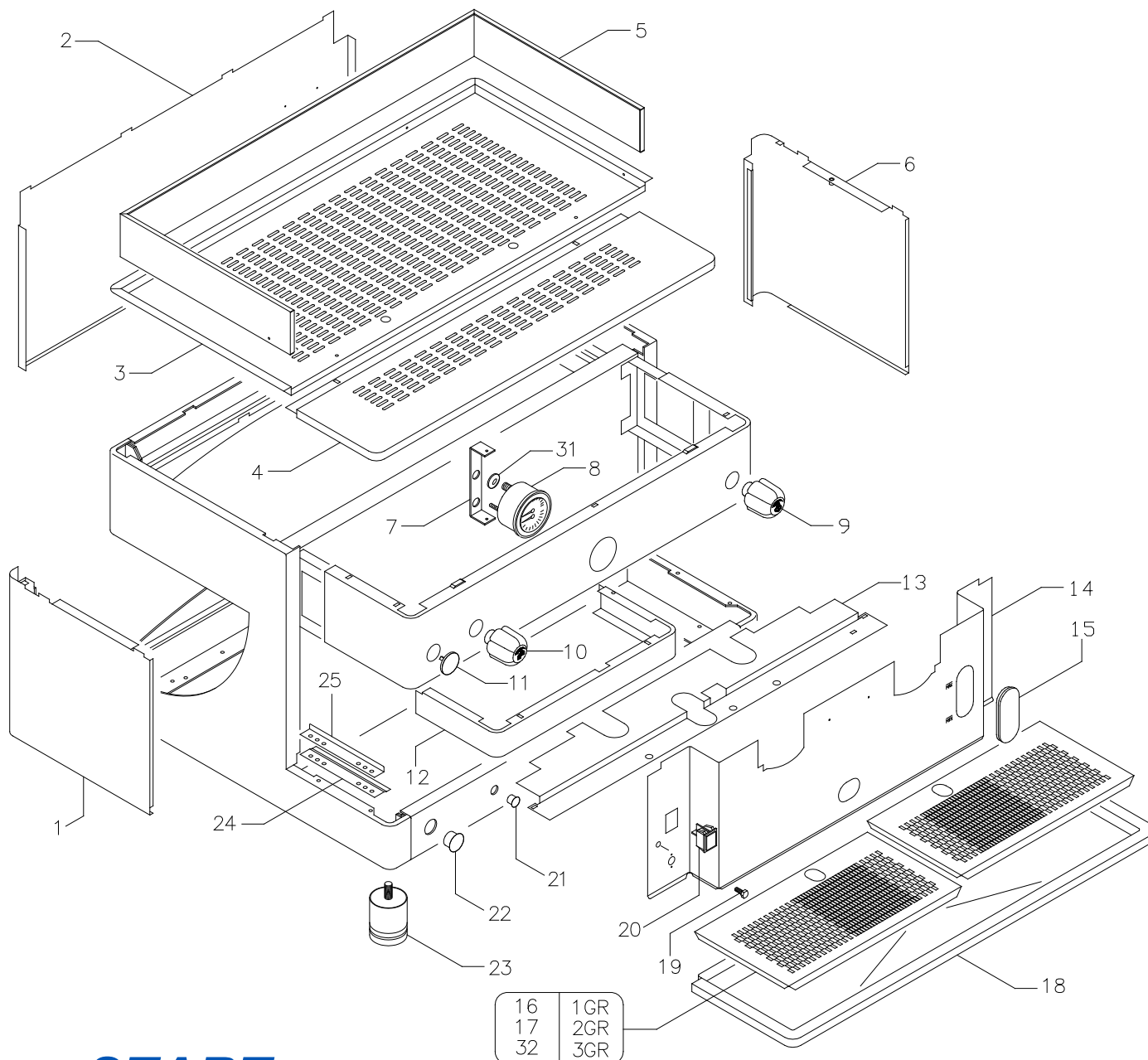
**CARROZZERIA**

**BODY PARTS**

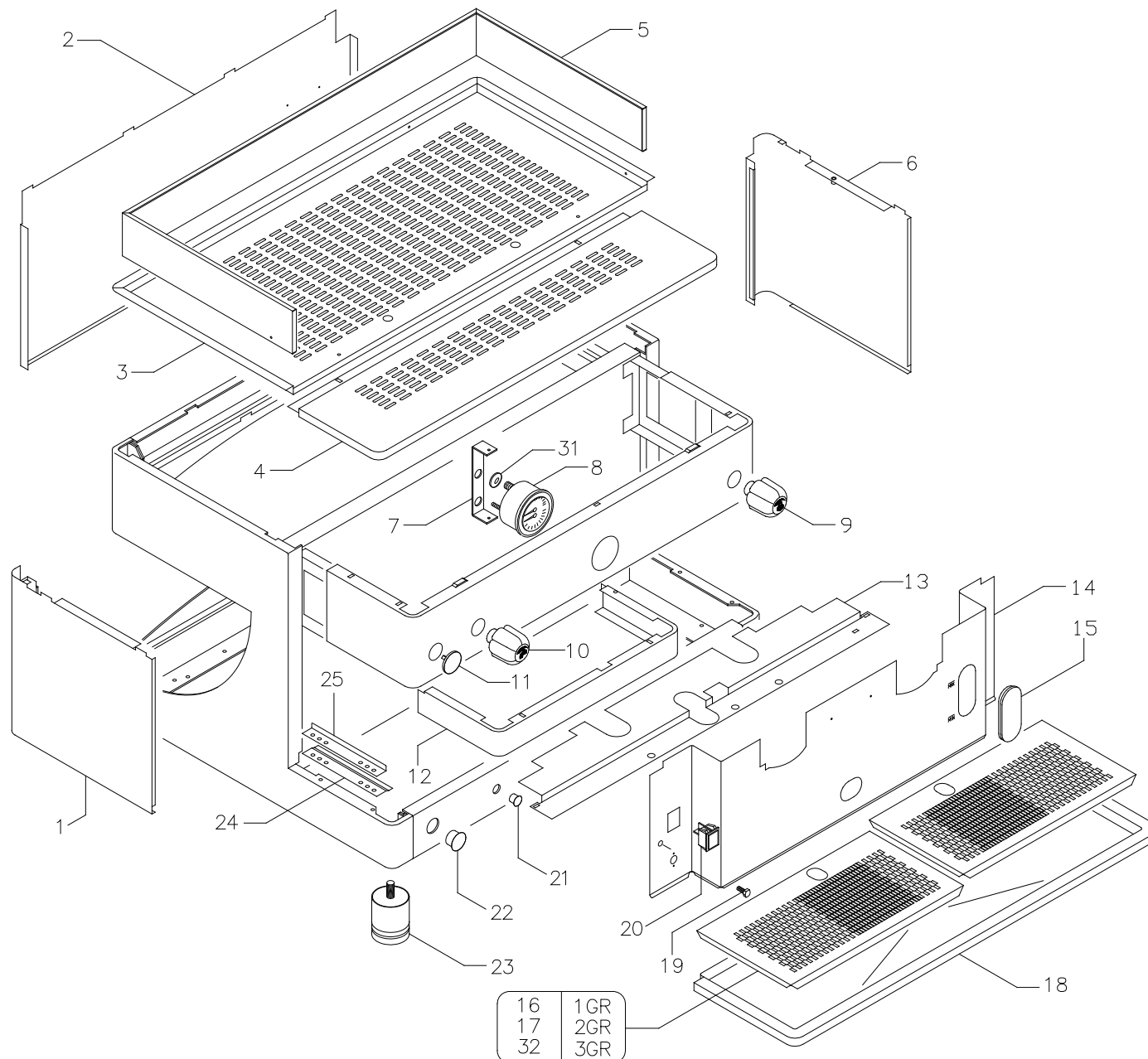
**CAROSSERIE**

**KAROSSERIE**

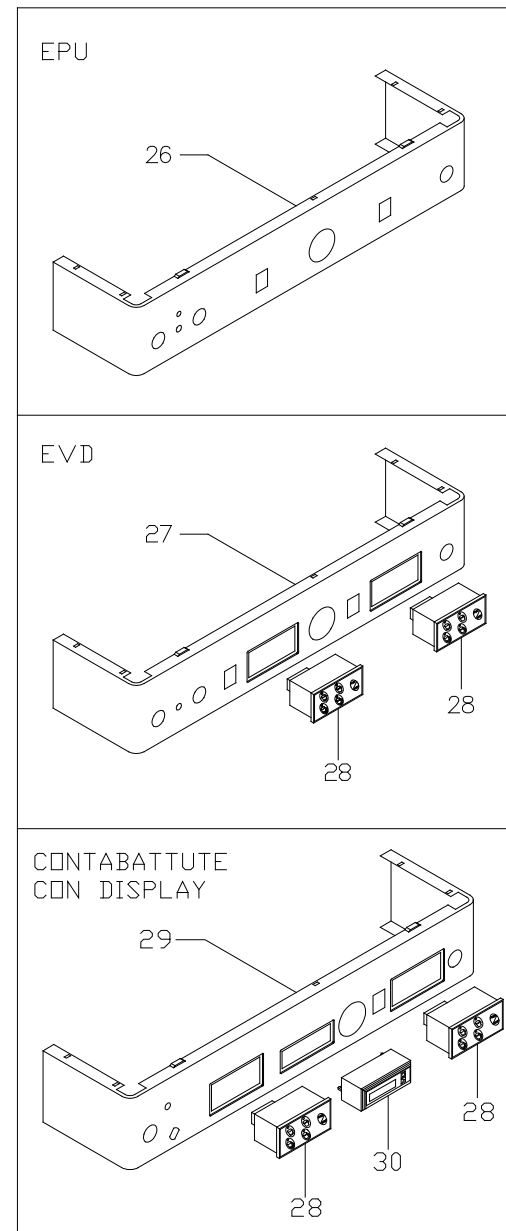
**START**



| Pos | Cod.     | Denominazione - IT -                  | Denomination - GB -                      | Denomination - FR -              | Denomination - DE -                 |
|-----|----------|---------------------------------------|------------------------------------------|----------------------------------|-------------------------------------|
| 1   | 75826001 | PANN.SINISTRO CARROZZERIA INOX/L      | LEFT PANEL S.STEEL                       | PANNEAU GAUCHE INOX              | STAHL-LINKTAFEL                     |
| 2   | 75826004 | PANNELLO POSTERIORE CENTR.1GR INOX/L  | CENTRAL PANEL 1GR S.STEEL                | PANNEAU CENTRAL 1GR INOX         | HINTERE MITTLERE TAFEL 1GR STAHL    |
| 2   | 75826002 | PANNELLO POSTERIORE CENTR.2GR INOX/L  | CENTRAL PANEL 2GR S.STEEL                | PANNEAU CENTRAL 2GR INOX         | HINTERE MITTLERE TAFEL 2GR STAHL    |
| 2   | 75826006 | PANN.POST.CENTR. 3GR INOX/L           | CENTRAL PANEL 3GR S.STEEL                | PANNEAU CENTRAL 3GR INOX         | HINTERE MITTLERE TAFEL 3GR STAHL    |
| 3   | 76100096 | GRIGLIA SUPERIORE 1GR INOX/L          | TOP GRATE 1GR S.STEEL                    | GRILLE SUP.1GR INOX              | OBERGITTER 1GR STAHL                |
| 3   | 76100097 | GRIGLIA SUPERIORE 2GR INOX/L          | TOP GRATE 2GR S.STEEL                    | GRILLE SUP.2GR INOX              | OBERGITTER 2GR STAHL                |
| 3   | 76100098 | GRIGLIA SUPERIORE 3GR INOX/L          | TOP GRATE 3GR S.STEEL                    | GRILLE SUP.3GR INOX              | OBERGITTER 3GR STAHL                |
| 4   | 72694021 | COPRIGRUPPO 1GR INOX/L                | S.STEEL GROUP-COVER 1GR                  | COUVRE-GROUPE INOX 1GR           | STAHL-GRUPPENDECKEL 1GR             |
| 4   | 72694022 | COPRIGRUPPO 2GR INOX/L                | S.STEEL GROUP-COVER 2GR                  | COUVRE-GROUPE INOX 2GR           | STAHL-GRUPPENDECKEL 2GR             |
| 4   | 72694023 | COPRIGRUPPO 3GR INOX/L                | S.STEEL GROUP-COVER 3GR                  | COUVRE-GROUPE INOX 3GR           | STAHL-GRUPPENDECKEL 3GR             |
| 5   | 77169003 | PROF.SUP.COMPLETO 1GR INOX/L          | S.STEEL TOP SURROUND 1GR                 | PROFILS SUPERIEUR INOX 1GR       | STAHL OBERUMRANDUNG 1GR             |
| 5   | 77169006 | PROF.SUP.COMPLETO 2GR INOX/L          | S.STEEL TOP SURROUND 2GR                 | PROFILS SUPERIEUR INOX 2GR       | STAHL OBERUMRANDUNG 2GR             |
| 5   | 77169009 | PROF.SUP.COMPLETO 3GR INOX/L          | S.STEEL TOP SURROUND 3GR                 | PROFILS SUPERIEUR INOX 3GR       | STAHL OBERUMRANDUNG 3GR             |
| 6   | 75826000 | PANNELLO DESTRO CARROZZERIA INOX/L    | RIGHT PANEL S.STEEL                      | PANNEAU DROIT INOX               | STAHL-RECHTAFEL                     |
| 7   | 78150051 | SUPPORTO MANOMETRO ER                 | GAUGE SUPPORT 1>4GR                      | SUPPORT MANOMETRE 1>4GR          | MANOMETERHALTER 1>4GR               |
| 8   | 21112    | MANOMETRO TONDO D.SCALA               | PRESSURE GAUGE                           | MANOMETRE                        | MANOMETER                           |
| 9   | 15272    | MANOPOLA RUBINETTO VAPORE             | STEAM TAP KNOB                           | POIGNEE ROBINET VAPEUR           | DAMPF-HAHNGRIFF                     |
| 10  | 15273    | MANOPOLA RUBINETTO ACQUA              | WATER TAP KNOB                           | POIGNEE ROBINET EAU              | WASSER-HAHNGRIFF                    |
| 11  | 15486    | TAPPO PLASTICA FORO 22>32.5 3586.AA01 | PLASTIC CAP D24,7                        | BOUCHON PLASTIQUE D24,7          | PLASTIKSTOPFEN D24,7                |
| 12  | 77691971 | PROTEZIONE GRUPPI 1GR INOX/L          | GROUP PROTECTION 1GR                     | PROTECTION GROUPE 1GR            | GRUPPE SCHUTZGITTER 1GR             |
| 12  | 77691972 | PROTEZIONE GRUPPI 2GR INOX/L          | GROUP PROTECTION 2GR                     | PROTECTION GROUPE 2GR            | GRUPPE SCHUTZGITTER 2GR             |
| 12  | 77691973 | PROTEZIONE GRUPPI 3GR INOX/L          | GROUP PROTECTION 3GR                     | PROTECTION GROUPE 3GR            | GRUPPE SCHUTZGITTER 3GR             |
| 13  | 77308011 | COPRIMPIANTO 1GR                      | CABLE-COVER 1GR                          | COUVRE-CABLAGE 1GR               | VERDRAHTUNGDECKEL 1GR               |
| 13  | 77308012 | COPRIMPIANTO 2GR                      | CABLE-COVER 2GR                          | COUVRE-CABLAGE 2GR               | VERDRAHTUNGDECKEL 2GR               |
| 13  | 77308013 | COPRIMPIANTO 3GR                      | CABLE-COVER 3GR                          | COUVRE-CABLAGE 3GR               | VERDRAHTUNGDECKEL 3GR               |
| 14  | 77053101 | COPRICALDAIA 1GR INOX/L               | S.STEEL BOILER COVER 1GR                 | COUVRE-CHAUDIERE INOX 1GR        | KESSELDECKEL 1GR STAHL              |
| 14  | 77053102 | COPRICALDAIA 2GR INOX/L               | S.STEEL BOILER COVER 2GR                 | COUVRE-CHAUDIERE INOX 2GR        | KESSELDECKEL 2GR STAHL              |
| 14  | 77053103 | COPRICALDAIA 3GR INOX/L               | S.STEEL BOILER COVER 3GR                 | COUVRE-CHAUDIERE INOX 3GR        | KESSELDECKEL 3GR STAHL              |
| 15  | 21202    | SEGNALIVELLO OVE TUV INCOLORE         | COLOURLESS LEVEL INDICATOR OVE-TUV       | SIGNAL NIVEAU OVE-TUV            | FARBLOSER NIVEAUANZEIGER OVE-TUV    |
| 16  | 76153000 | GRIGLIA INF.WN01 INOX LUC.456X201     | LOWER GRILL 456X201 SHINY S.STEEL        | GRILLE INF.INOX 456X201          | STAHL-UNTERGITTER 456X201           |
| 17  | 76154000 | GRIGLIA INF.DX WN01 IN/LUC.338.5X201  | RIGHT LOWER GRILL -SHINY S.STEEL         | GRILLE INF.DROIT INOX 338,5X201  | STAHL-UNTER-RECHTEGITTER 338,5X201  |
| 17  | 76155000 | GRIGLIA INF.SX WN01 IN/LUC.338.5X201  | LEFT LOWER GRILL - SHINY S.STEEL         | GRILLE INF.GAUCHE INOX 338,5X201 | STAHL-UNTER-LINKEGITTER 338,5X201   |
| 18  | 76095    | BACINELLA 1GR INOX LUCIDO             | 1GR GLOSSY STAINLESS STEEL TRAY          | CUVE 1GR INOX BRILLANT           | STAHSCHALE 1GR                      |
| 18  | 76096    | BACINELLA 2GR INOX LUCIDO             | 2GR GLOSSY STAINLESS STEEL TRAY          | CUVE 2GR INOX BRILLANT           | STAHSCHALE 2GR                      |
| 18  | 76097    | BACINELLA 3GR INOX LUCIDO             | 3GR GLOSSY STAINLESS STEEL TRAY          | CUVE 3GR INOX BRILLANT           | STAHSCHALE 2GR                      |
| 19  | 23420    | VITE TE OTTONE M6X12 NICHELATA        | M6X12 NICKEL-PLATED BRASS HEX.HEAD SCREW | VIS TH LAITON M6X12 NICKEEE      | SECHSKANTSCHRAUBE AUS MESSING M6X12 |



|    |     |
|----|-----|
| 16 | 1GR |
| 17 | 2GR |
| 32 | 3GR |



| Pos | Cod.     | Denominazione - IT -                  | Denomination - GB -               | Denomination - FR -          | Denomination - DE -            |
|-----|----------|---------------------------------------|-----------------------------------|------------------------------|--------------------------------|
| 20  | 15486002 | TAPPO FORO INTERRUPTORE               | SWITCH HOLE PLUG                  | CAPUCHON TROU INTERRUPT.     | ABDECKUNG SCHALTERLOCH         |
| 21  | 15483    | TAPPO PLASTICA D12 DP/500             | PLASTIC CAP D12 DP/500            | BOUCHON PLASTIQUE D12 DP/500 | PLASTIKSTOPFEN D12 DP/500      |
| 22  | 15482    | TAPPO PLASTICA D22 DP/875             | PLASTIC CAP D22 DP/875            | BOUCHON PLASTIQUE D22 DP/875 | PLASTIKSTOPFEN D22 DP/875      |
| 23  | 15318    | PIEDINO REGOLABILE INOX/SAT H55/69    | ADJUSTABLE FOOT H55/69            | PIED REGLABLE H55/69         | REGELBARER FUSS H55/69         |
| 24  | 77742014 | DISTANZIALE BACINELLA                 | RH-LH BASIL GUIDE FOR FRAMES      | GUIDE DX-SX CUVE X CHASSIS   | FUHRUNG RECHTS-LINKS SCHALE    |
| 25  | 77742015 | GUIDA DESTRA-SINISTRA BACINELLA TELAI | RH-LH BASIL GUIDE FOR FRAMES      | GUIDE DX-SX CUVE X CHASSIS   | FUHRUNG RECHTS-LINKS SCHALE    |
| 26  | 70664110 | FRONTONE EPU/1 INOX/L                 | FRONT PANEL EPU/1 S.STEEL         | PANNEAU EPU/1 INOX           | STIRNTAFEL EPU/1 STAHL         |
| 26  | 70664120 | FRONTONE EPU/2 INOX/L                 | FRONT PANEL EPU/2 S.STEEL         | PANNEAU EPU/2 INOX           | STIRNTAFEL EPU/2 STAHL         |
| 26  | 70664130 | FRONTONE EPU/3 INOX/L                 | FRONT PANEL EPU/3 S.STEEL         | PANNEAU EPU/3 INOX           | STIRNTAFEL EPU/3 STAHL         |
| 27  | 70664160 | FRONTONE EVD/1 INOX/L                 | FRONT PANEL EVD/1 S.STEEL         | PANNEAU EVD/1 INOX           | STIRNTAFEL EVD/1 STAHL         |
| 27  | 70664170 | FRONTONE EVD/2 INOX/L                 | FRONT PANEL EVD/2 S.STEEL         | PANNEAU EVD/2 INOX           | STIRNTAFEL EVD/2 STAHL         |
| 27  | 70664180 | FRONTONE EVD/3 INOX/L                 | FRONT PANEL EVD/3 S.STEEL         | PANNEAU EVD/3 INOX           | STIRNTAFEL EVD/3 STAHL         |
| 28  | 18371049 | PULSANTIERA 5T                        | TOUCH PAD 5T                      | CLAVIER A TOUCHES 5T         | DRUCKKNOPFTAFEL 5T             |
| 29  | 70664161 | FRONTONE EVD/1 DISPLAY INOX/L         | FRONT PANEL DISPLAY EVD/1 S.STEEL | PANNEAU DISPLAY EVD/1 INOX   | STIRNTAFEL DISPLAY EVD/1 STAHL |
| 29  | 70664171 | FRONTONE EVD/2 DISPLAY INOX/L         | FRONT PANEL DISPLAY EVD/2 S.STEEL | PANNEAU DISPLAY EVD/2 INOX   | STIRNTAFEL DISPLAY EVD/2 STAHL |
| 29  | 70664181 | FRONTONE EVD/3 DISPLAY INOX/L         | FRONT PANEL DISPLAY EVD/3 S.STEEL | PANNEAU DISPLAY EVD/3 INOX   | STIRNTAFEL DISPLAY EVD/3 STAHL |
| 30  | 26020    | CONTABATTUTE CON DISPLAY 01.43.0021   | DISPLAY 01.43.0021                | DISPLAY 01.43.0021           | DISPLAY 01.43.0021             |
| 31  | 25395    | DADO 1/8 MANOMETRO                    | BRASS NUT 1/8 MANOMETRO           | ECROU 1/8 MANOMETRO          | MESSING 1/8 MANOMETRO          |
| 32  | 76156000 | GRIGLIA INF.WN01 INOX/LUC.253x201     | LOWER GRILL 253x201-SHINY S.STEEL | GRILLE INF.INOX 253x201      | STAHL-UNTERGITTER 253x201      |

**RTW**

**INDICE - INDEX - SOMMAIRE - VERZEICHNIS**

**RTW-10**

RUBINETTI ACQUA/VAPORE - TAPS WATER/STEAM  
ROBINETS EAU/CAPEUR - WASSERHAHN/DAMPFHAHN

rev.

**02**  
03/2013

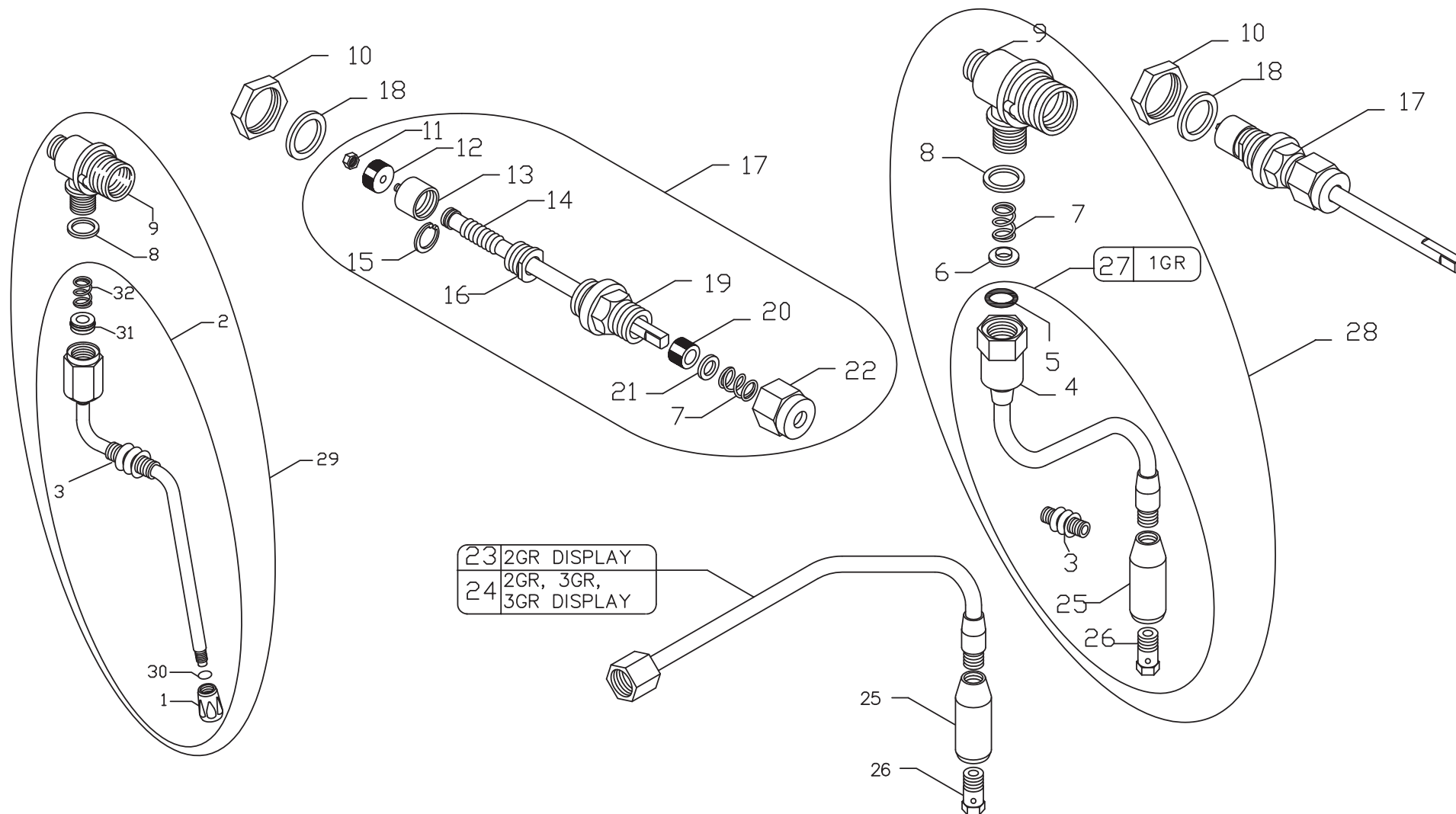
**RUBINETTI ACQUA/  
VAPORE**

**TAPS WATER/  
STEAM**

**ROBINETS EAU/  
VAPEUR**

**WASSERHAHN/  
DAMPFHAHN**

**START**



| Pos | Cod.     | Denominazione - IT -                      | Denomination - GB -                             | Denomination - FR -                               | Denomination - DE -                                |
|-----|----------|-------------------------------------------|-------------------------------------------------|---------------------------------------------------|----------------------------------------------------|
| 1   | 25763080 | SPRUZZATORE VAPORE CROMATO                | STEAM NOZZLE - CHROMED                          | ATOMISEUR VAPEUR - CHROME'                        | DAMPFDUSE - CHROM                                  |
| 2   | 25763149 | ASSIEME TUBO VAP.CR. A56/W                | STEAM TUBE A56/W                                | TUYAU VAPEUR A56/W                                | DAMPF ROHR A56/W                                   |
| 3   | 15296000 | GOMMINO ANTISCOT.RA X TUBO VAP.D8         | ANTI-BURNING RUBBER EL. FOR STEAM PIPE D        | ELEMENT ANTI-BRULURE POUR TUYAU VAP.D8            | GUMMI GEGEN VERBRENNUNGEN F. DAMPFROHR             |
| 4   | 25391    | DADO CANNA VAP/H2O X MOLLA CROMATO        | NUT PIPE WATER/STEAM FOR SPRING                 | ECROU TUYAU VAPEUR/EAU POUR RESSORT               | WASSER/DAMPF ROHRMUTTER FUR FEDER                  |
| 5   | 12300    | GUARNIZIONE OR 113 NBR/70                 | O RING GASKET 113 NBR/70                        | JOINT OR 113 NBR/70                               | OR-DICHTUNG 113 NBR/70                             |
| 6   | 25657    | RONDELLA MOLLA VAPORE                     | STEAM SPRING WASHER                             | RONDELLE RESSORT VAPEUR                           | SCHEIBE FÜR DAMPF FEDER                            |
| 7   | 10452    | MOLLA RUBINETTO H2O/VAPORE N4             | WATER/STEAM TAP SPRING N4                       | RESSORT DE ROBINET EAU-VAPEUR N4                  | WASSER/DAMPF HAHNFEDER N4                          |
| 8   | 12010    | GUARNIZIONE TEFLON X H2O/VAP 21X17X2 CNN  | W/S PIPE GASKET TEFLON 21X17X2                  | JOINT TUYAU TEFLON EAU/VAP TEFLON 21X17X          | TEFLON-DICHTUNG X H2O/VAP 21X17X2 CNN              |
| 9   | 53003    | CORPO RUBINETTO                           | TAP BODY                                        | CORPS DE ROBINET                                  | HAHNKÖRPER                                         |
| 10  | 25384    | DADO OTTONE M26X1.5                       | BRASS NUT 26X1.5                                | ECROU LAITON 26X1.5                               | MESSING-MUTTER 26X1.5                              |
| 11  | 23050    | DADO OTTONE M3 UNI 5587                   | BRASS NUT M3 UNI 5587                           | ECROU LAITON M3 UNI 5587                          | MESSING-MUTTER M3 UNI 5587                         |
| 12  | 12203    | GUARNIZIONE GOMMA 15X4X4                  | RUBBER GASKET 15X4X4                            | JOINT EN CAOUTCHOUC 15X4X4                        | GUMMIDICHTUNG 15X4X4                               |
| 13  | 25616    | PISTONCINO RUBINETTO                      | TAP JUMPER                                      | PISTON ROBINET                                    | HAHNKOLBEN                                         |
| 14  | 25309    | ASTA RUBINETTO CROMATA                    | CHROMED TAP SHAFT                               | TIGE ROBINET CHROME                               | HAHNSTANGE CHROM                                   |
| 15  | 10001    | ANELLO ARRESTO D6 INOX 316 DIN 6799       | STEEL CIRCLIP 316 DIN 6799                      | CIRCLIP INOX 316 DIN 6799                         | STAHLHALTENRING 316 DIN 6799                       |
| 16  | 25461    | GHIERA RUBINETTO                          | TAP RING NUT                                    | EMBOU ROBINET                                     | HAHNZWINGE                                         |
| 17  | 561001   | ASSIEME RUBINETTO H2O/VAPORE              | WATER/STEAM TAP UNIT                            | ENSEMBLE ROBINET EAU/VAPEUR                       | WASSER/DAMPF ROHRSATZ                              |
| 18  | 12158    | GUARNIZIONE CU RUB.26X20.5X2              | 26X20.5X2 COPPER SEAL                           | JOINT CUIVRE 3/8 22X17X1.5                        | KUPFERDICHTUNG 3/8 22X17X1.5                       |
| 19  | 25678001 | RACCORDO RUBINETTO                        | TAP FITTING                                     | RACCORD ROBINET                                   | HAHNANSCHLUSSTUCK                                  |
| 20  | 12204    | GUARNIZIONE GOMMA RUBINETTO H2O/VAP 12.5  | W/S TAP RUBBER GASKET 12.5X7.5X9                | JOINT CAOUTCHOUC ROB. EAU/VAP 12.5X7.5X9          | HAHNDICHTUNG W/D 12.5X7.5X9                        |
| 21  | 25655    | RONDELLA RUBINETTO                        | TAP WASHER                                      | RONDELLE ROBINET                                  | HAHNSCHEIBE                                        |
| 22  | 25385001 | DADO PREMISTOPPA COMPLETO                 | STUFFING NUT COMPLETE                           | ECROU DE PRESSE-ETOUPE COMPLET                    | STOPFBUCHSE MUTTER GANZ                            |
| 23  | 56119031 | ASS.TUBO H2O FISSA                        | WATER PIPE                                      | TUYAU EAU                                         | ROHR WASSER                                        |
| 24  | 56119061 | ASS.TUBO H2O FISSA AR101/A                | WATER PIPE AR101/A                              | TUYAU EAU AR101/A                                 | ROHR WASSER AR101/A                                |
| 25  | 30250    | SPRUZZATORE ESTERNO H2O OTT CROMATO       | EXTERNAL SPRAYER H2O CHROMIUM PLATE             | PULVERISATEUR EXTERNE H2O LAITON CH               | AUSSENSPRITZDÜSE H2O MESSING, VERCH                |
| 26  | 25761    | SPRUZZATORE INTERNO H2O                   | INTERNAL SPRAY H2O                              | PULVERISATEUR INT. H2O                            | H2O - INNENSPRITZDÜSE                              |
| 27  | 56119005 | ASS.TUBO H2O "S" CR. W/66                 | WATER TUBE "S" W/66                             | TUYAU EAU "S" W/66                                | WASSER ROHR "S" W/66                               |
| 28  | 56119101 | TUBO VAP.Cr. WEGA A56/W + CORPO           | STEAM TUBE A 56/W WITH BODY                     | TUYAU VAPEUR A 56/W + CORPS                       | DAMPF ROHR A 56/W + KÖRPER                         |
| 29  | 25763344 | ASS.TUBO VAPORE INOX WE SP D.8 SPRUZZ.4FO | RI+CORPO (x MC STAINLESS STEEL STEAM ARM D8     | TUYAU VAPEUR INOX SP.D8                           | SATZ DAMPF ROHR INOX D.8 DAMPF DUSE                |
| 30  | 12662000 | GU ORM 0060-15 SPRUZZ.VAP.INX D.8         | GASKET ORM 0060 - 15                            | JOINT ORM 0060 - 15                               | DICHTUNG ORM 0060 - 15                             |
| 31  | 12661    | GU OR CON LUNETTA P.MOLLA CANNA VAP.INX   | OR REST FOR ST. STEEL STEAM PIPE                | OR LUNETTE P. RESS. TUYAU VAP. IN                 | HALBE OR - DICHT. F. FEDER DAMPFROHR               |
| 32  | 10465001 | MOLLA De 11,4 Df1,7 I.16 AISI 302         | S.STEAM PIPE SPRING De 11,4 Df1,7 I.16 AISI 302 | RESSORT TUYAU VAP. IN De 11,4 Df1,7 I.16 AISI 302 | FEDER DAMPF. EDELSTAHL De 11,4 Df1,7 I.16 AISI 302 |



**GRTW**

**INDICE - INDEX - SOMMAIRE - VERZEICHNIS**

**GRTW-20**

GRUPPO - GROUP  
GROUPE - GRUPPE

rev.

**02**

01/2013

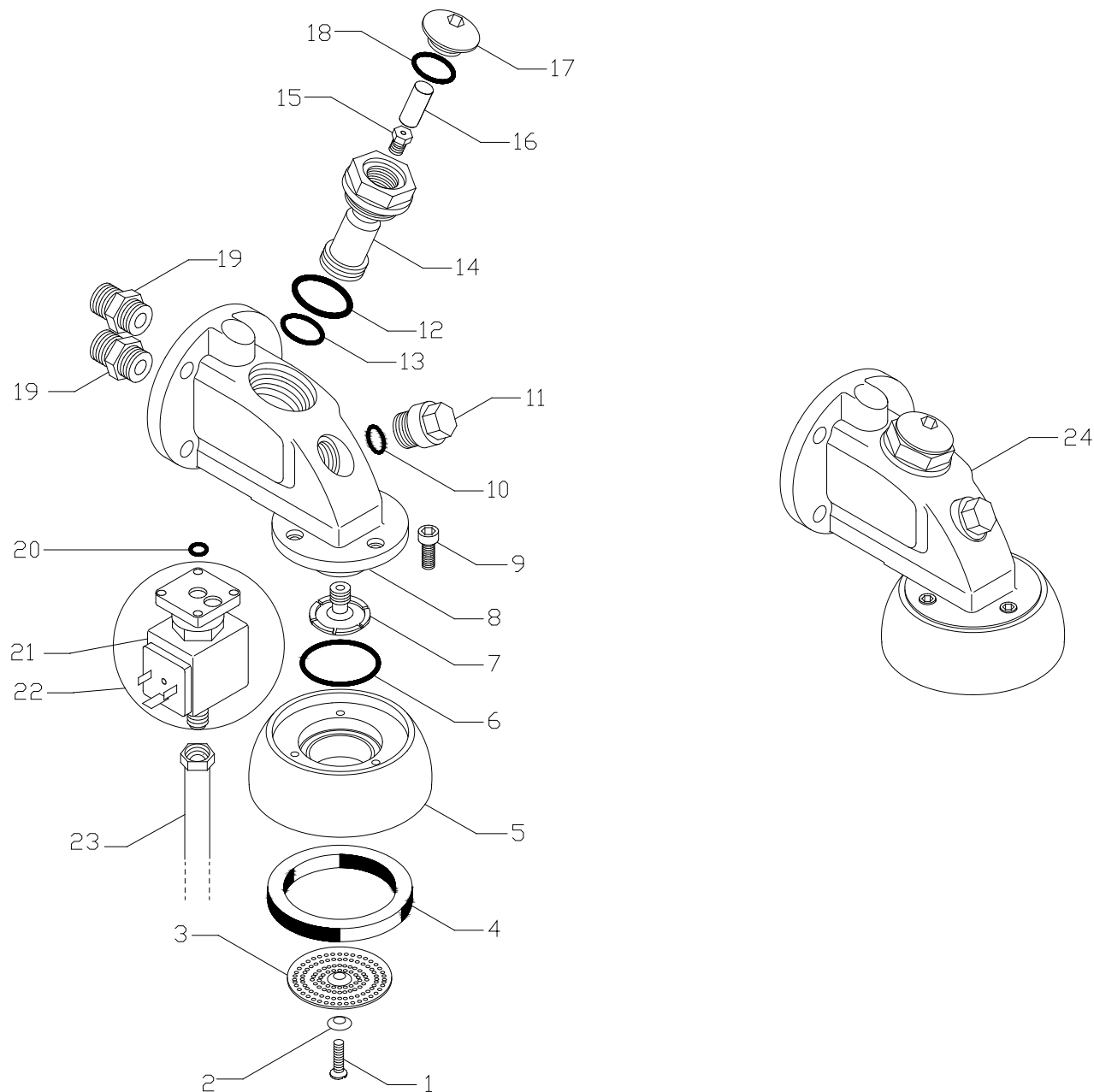
**GRUPPO**

**GROUP**

**GROUPE**

**GRUPPE**

**START**



| Pos | Cod.     | Denominazione - IT -                        | Denomination - GB -                       | Denomination - FR -                      | Denomination - DE -                      |
|-----|----------|---------------------------------------------|-------------------------------------------|------------------------------------------|------------------------------------------|
| 1   | 23514    | VITE TPS INOX 5X20 TAGLIO CACC.             | 5X20 STAINLESS STEEL FLATHEAD SCREW       | VIS TPS INOX 5X20 DE TOURNEVIS           | SCHRAUBE TPS ROSTFREI5X20 SCHRAUBEN      |
| 2   | 23260014 | RONDELLA INOX 12X5 DOCCETTA                 | INOX WASHER 12X5                          | RONDELLE INOX 12X5 DOUCHETTE             | STAHL SCHEIBE 12X5 DUSCHE                |
| 3   | 27100    | DOCCETTA GRUPPO ER 51.9                     | GROUP SHOWER PLATE 51.9                   | DOUCHETTE GROUPE ER 51.9                 | DUSCHE VERTEILEREINHEIT 51.9             |
| 4   | 12227    | GUARNIZIONE SOTTOCOPPA 73,5X57,5X8 WE AL    | GROUP UNDERCUP SEAL 73,5X57,5X8           | JOINT SOUCOUCPE 73,5X57,5X8              | FILTERGRIFFDICHTUNG 73,5X57,5X8          |
| 4   | 12228    | GUARNIZIONE SOTTOCOPPA 73,5X57,5X8,5 WEAL95 | GROUP UNDERCUP SEAL 73,5X57,5X8,5         | JOINT SOUCOUCPE 73,5X57,5X8,5            | FILTERGRIFFDICHTUNG 73,5X57,5X8,5        |
| 5   | 25250002 | ANELLO AGGANCIATORE VE CROMATO              | CHROMED CLAMPING RING                     | SABOT CHROME                             | CHROM GRUPPENRING                        |
| 6   | 12300034 | GUARNIZIONE OR 3137 VITON 70SH              | O RING SEAL 3137 VITON                    | JOINT OR 3137 VITON                      | O-RINGDICHT. 3137 VITON                  |
| 7   | 27105000 | DIFFUSORE GRUPPO X ADATTATORE               | SPRAIER GROUP                             | DIFFUSEUR GROUPE                         | DIFFUSOR VERTEILEREINHEIT                |
| 8   | 25368009 | CORPO GRUPPO ER CTS VE                      | DISTRIBUTION GROUP CTS VE                 | CORPS GROUPE DEBIT CTS VE                | KORPER DER ABGABEGRUPPE CTS VE           |
| 9   | 23552    | VITE TCEI INOX 5X10                         | STEEL SCREW TCCE 5X10                     | VIS INOX TCCE 5X10                       | STAHLSCHRAUBE TCCE 5X10                  |
| 10  | 12303    | GUARNIZIONE OR 119 VITON TAPPO GRUPPO       | CAP O RING GASKET 119                     | JOINT OR 119 POUR BOUCHON                | OR DICHTUNG FUR STOPFEN 119              |
| 11  | 25789301 | TAPPO CAMERA PREINFUSIONE GRP ESTR.DV       | CAP GROUP                                 | BOUCHON GROUPE                           | STOPFEN ABGABEGRUPPE                     |
| 12  | 12336001 | GUARNIZIONE OR 0134 EPDM 25,8X3,53          | O RING GASKET 0134 25.8X3.53              | JOINT OR 0134 25.8X3.53                  | OR DICHTUNG 0134 25.8X3.53               |
| 13  | 12300026 | GUARNIZIONE OR 0123 EPDM 17,86X2,62         | O RING GASKET 0123 17.86X2.62             | JOINT OR 0123 17.86X2.62                 | OR DICHTUNG 0123 17.86X2.62              |
| 14  | 25739503 | PORTAGIGLER GRUPPO CTS 03                   | NOZZLE HOLDER GROUP                       | PORTE-GICLEUR GROUPE                     | DUSEHALTER GRUPPE                        |
| 15  | 10300C   | GIGLER OTT. X GRUPPO D 0.7                  | BRASS UNIT FOR JET D 0.7                  | GIGLEUR LAITON POUR GROUPE D 0.7         | VERMESSINGTE GRUPPENDÜSE D 0.7           |
| 16  | 10253    | FILTRO GIGLER GRUPPO W527                   | JET FILTER                                | FILTRE GICLEUR                           | DUSE FILTER                              |
| 17  | 25789306 | TAPPO PORTA GIGLEUR GRUPPO CTS 03           | CAP GROUP JET                             | BOUCHON GIGLEUR                          | STOPFEN EINSPRITZDUSE                    |
| 18  | 12336000 | GUARNIZ.ORM 0170/30 HNBR 70SH D17X3 GRP CTS | O RING GASKET 0170/30 D17X3               | JOINT ORM 0170/30 D17X3                  | ORM DICHTUNG 0170/30 D17X3               |
| 19  | 25687002 | RACCORDO 3/8X3/8 GAS GRP CTS 03             | CONNECTOR 3/8X3/8 CTS 03 UNIT             | RACCORD 3/8X3/8 GR. CTS 03               | ANSCHLUSS 3/8X3/8 CTS 03                 |
| 20  | 12305    | GUARNIZIONE OR 105 GR.ELETT.VITON 70SH      | O RING SEAL 105 GREEN VITON SOLENOI       | JOINT OR 105 GR. ELECT. VITON VERT 70SH  | O-RINGDICHT. 105 EKELTR. EINHEIT VITON G |
| 21  | 18151    | ELETTROVALVOLA GRUPPO PRK 220/240V 50-60HZ  | GROUP SOLENOID VALVE PRK 220/240V 50-60HZ | ELECTROVANNE GROUPE PRK 220/240V 50-60HZ | GRUPPENMAGNETVENTIL PRK 220/240V 50-60HZ |
| 21  | 18160002 | ELETTROVALVOLA GRUPPO SIR 230V 50 HZ        | GROUP SOLENOID VALVE SIR 230V 50HZ        | ELECTROVANNE GROUPE SIR 230V 50HZ        | GRUPPENMAGNETVENTIL SIR 230V 50HZ        |
| 22  | 18008001 | BOBINA PRK EV GRUPPO 220V/240V 50-60 HZ     | REEL PRK 220V/240V 50-60HZ                | BOBINE PRK 220V/240V 50-60HZ             | ROLLE PRK 220V/240V 50-60HZ              |
| 22  | 18001002 | BOBINA SIR GRUPPO 230V 2A 32A               | REEL SIR 230V 2A 32A                      | BOBINE SIR 230V 2A 32A                   | ROLLE SIR 230V 2A 32A                    |
| 23  | 52000169 | TBS.D-12 L.77                               | TUBE D-12 L.77                            | TUYAU D-12 L.77                          | ROHR D-12 L.77                           |
| 24  | 56082109 | GRUPPO CTS VE                               | DISTRIBUTION GROUP CTS                    | GROUPE DEBIT CTS                         | AUSGABEGRUPPR CTS                        |

# CLD

## INDICE - INDEX - SOMMAIRE - VERZEICHNIS

rev.

**CLD-31**

CALDAIA 1GR - BOILER 1GR  
CHAUDIÈRE 1GR - KESSEL 1GR

**00**  
04/2013

**CLD-32**

CALDAIA 2GR - BOILER 2GR  
CHAUDIÈRE 2GR - KESSEL 2GR

**00**  
04/2013

**CLD-33**

CALDAIA 3GR - BOILER 3GR  
CHAUDIÈRE 3GR - KESSEL 3GR

**01**  
10/2013

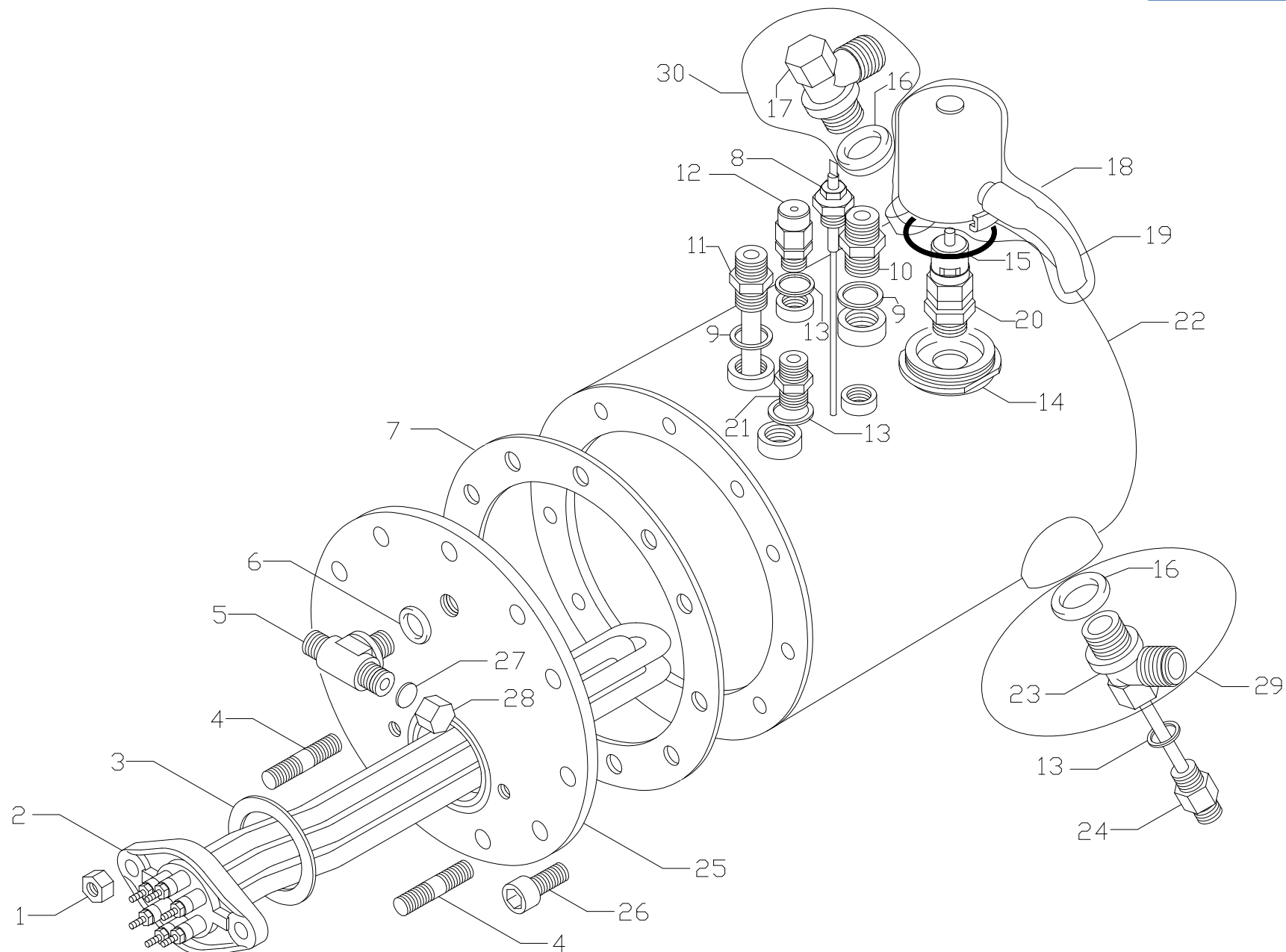
CALDAIA

BOILER

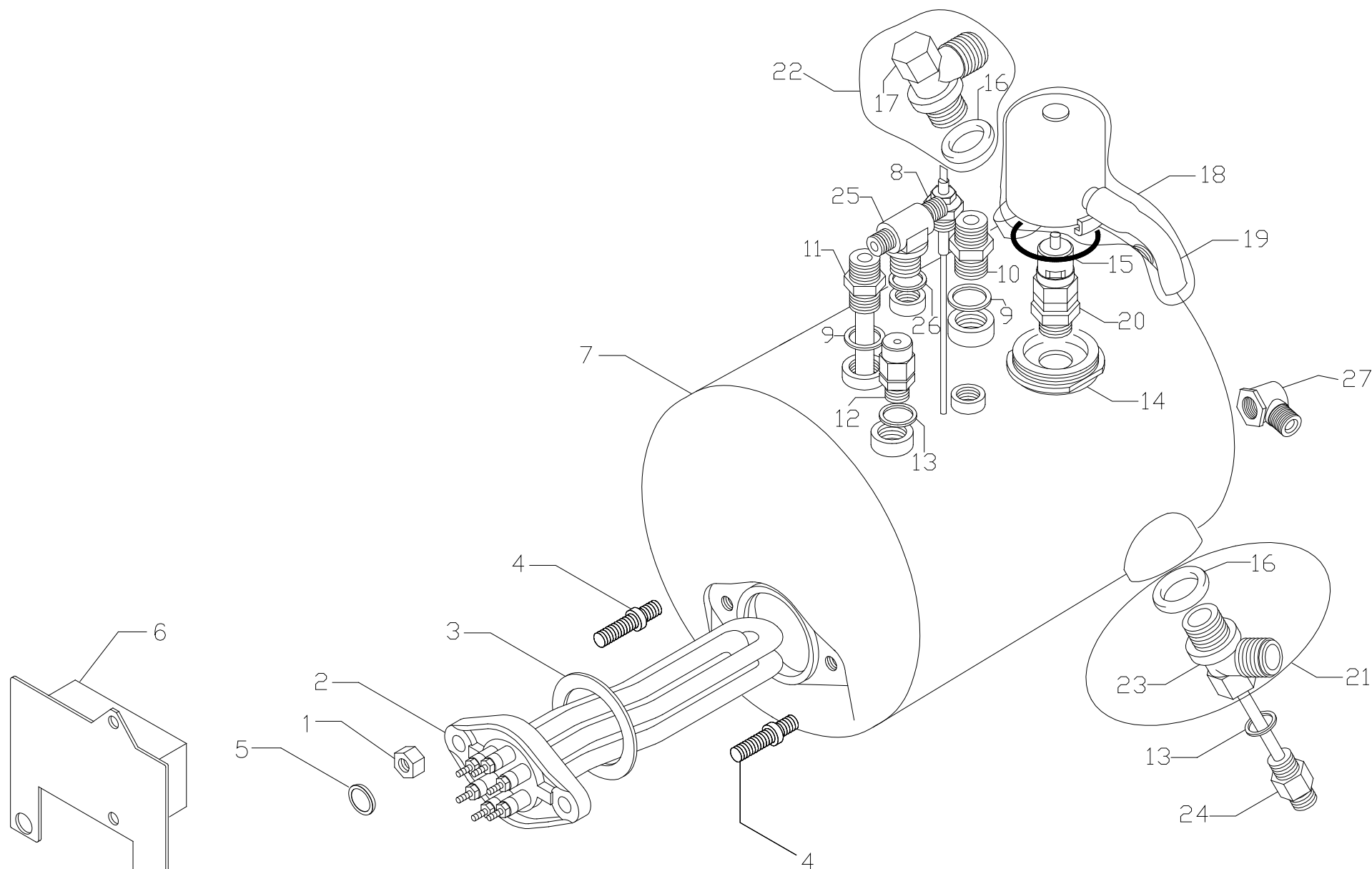
CHAUDIÈRE

KESSEL

**START**

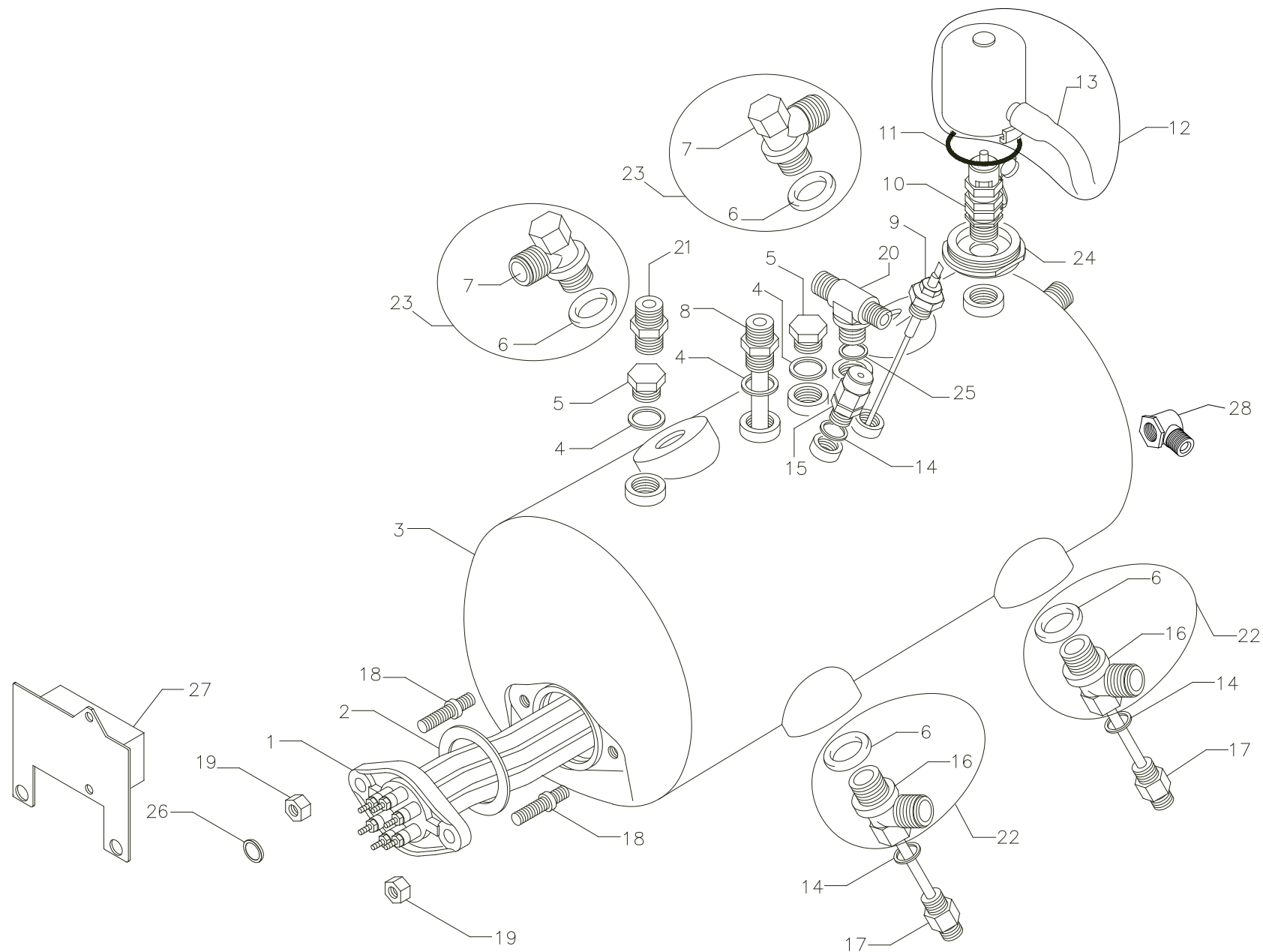


| Pos | Cod.     | Denominazione - IT -                         | Denomination - GB -                 | Denomination - FR -                  | Denomination - DE -                  |
|-----|----------|----------------------------------------------|-------------------------------------|--------------------------------------|--------------------------------------|
| 1   | 23049    | DADO OTTONE M8 UNI 5587                      | BRASS NUT M8 UNI 5587               | ECROU LAITON M8 UNI 5587             | MESSING-SCHRAUBENMUTTER M8 UNI 5587  |
| 2   | 17012    | RESISTENZA 1GR 6P 230/380V 2700W             | HEAT.ELEM.1GR 230/380V 2700W 6POLES | RESISTANCE 1GR 230/380V 2700W/6POLES | HEIZKORPER 1GR 230/380V 2700W 6POLES |
| 3   | 12001    | GUARNIZIONE TEFLON VERGINEXRES/SCA 58X43X2   | TEFLON GASKET ELEMENT/EXCH. 58X43X2 | JOINT TEFLON RESIST/ECHANG. 58X43X2  | TEFLON DICHTUNG 58X43X2              |
| 4   | 23133    | PRIGIONIERO INOX AISI304 8X30 DIN 939        | STAINLESS STEEL BOLT AISI304 8X30   | VIS INOX AISI304 8X30                | STAHLSCHRAUBE 8X40 AISI304 8X30      |
| 5   | 43060    | RACCORDO 1/4X1/4X1/4 T                       | 'T' CONNECTOR 1/4 x 1/4 x 1/4       | RACCORD 'T' 1/4 x 1/4 x 1/4          | T'-ANSCHLUSS 1/4 x 1/4 x 1/4         |
| 6   | 12100    | GUARNIZIONE CU/ALIM 1/4 18.7X13.2X2.5        | CU GASKET 1/4 18.7X13.2X2.5         | JOINT CU 1/4 18.7X13.2X2.5           | CU DICHTUNG 1/4 18.7X13.2X2.5        |
| 7   | 12003    | GUARNIZIONE TEFLON VERGINEXCALDAIA 190X139X2 | BOILER TEFLON GASKET 190X139X2      | JOINT CHAUDIERE TEFLON 190X139X2     | TEFLON KESSELDICHTUNG 190X139X2      |
| 8   | 20251    | SONDA LIVELLO TL 10/B L125 908600            | TL 10/B L125 908600 LEVEL PROBE     | JAUGE TL 10/B L125 908600            | PEGELFÜHLER TL 10/B L125 908600      |
| 9   | 12154    | GUARNIZIONE CU 3/8 22X17X1.5                 | 3/8 22X17X1.5 COPPER SEAL           | JOINT CUIVRE 3/8 22X17X1.5           | KUPFERDICHTUNG 3/8 22X17X1.5         |
| 10  | 25687    | RACCORDO 3/8X3/8 GAS                         | 3/8X3/8 GAS FITTING                 | RACCORD 3/8X3/8 GAZ                  | ANSCHLUSS 3/8X3/8 GAS                |
| 11  | 52001612 | TBS.D-10 L.115 1>4GR DE 13                   | TUBE D-10 L.115 1>4GR DE 13         | TUYAU D-10 L.115 1>4GR DE 13         | ROHR D-10 L.115 1>4GR DE 13          |
| 12  | 56150    | VALVOLA ANTIRISUCCHIO V.A.R.                 | ANTI-EDDY VALVE V.A.R.              | SOUPAPE ANTI-DEPRESSION V.A.R.       | VENTIL UNTERDRUCKFREI V.A.R.         |
| 13  | 12153    | GUARNIZIONE CU 1/4 17X13.3X1.5               | 1/4 17X13.3X1.5 COPPER SEAL         | JOINT CUIVRE 1/4 17X13.3X1.5         | KUPFERDICHTUNG 1/4 17X13.3X1.5       |
| 14  | 15006001 | FLANGIA GRIGOLY VALVOLA SIC.                 | FLANGE GRIVORY VALVE                | JOINT GRIVORY VANNE                  | FLANSCH GRIVORY VENTIL               |
| 15  | 12300000 | GUARNIZIONE OR 3156 VITON X PISTONI          | O RING VITON                        | JOINT OR VITON                       | OR DICHTUNG VITON                    |
| 16  | 12105    | GUARNIZIONE CU/ALIM 1/2 GAS                  | CU GASKET 1/2 GAS                   | JOINT CU 1/2 GAZ                     | CU DICHTUNG 1/2 GAS                  |
| 17  | 23214    | RACCORDO 1/2 L                               | CONNECTOR 1/2 L                     | RACCORD 1/2 L                        | FITTING 1/2 L                        |
| 18  | 56009980 | ASSIEME PROTEZIONE VALVOLE SICUREZZA         | UNIT PROTECTION VALVE               | ENSEMBLE PROTECTION VANNE            | SATZ-SCHUTZGITTER VENTIL             |
| 19  | 15478002 | TUBO SILICONE 8X11 L.70CM                    | SILICONE TUBE 8X11 L.70CM           | TUYAU SILICONE 8X11 L.70CM           | SILIKONROHR 8X11 L.70CM              |
| 20  | 20352    | VALVOLA DI SICUREZZA *CE*                    | *CE* SAFETY VALVE                   | SOUPAPE DE SECURITE *CE*             | SICHERHEITSVENTIL *CE*               |
| 21  | 25686    | RACCORDO 1/4X1/4 FLANGIA                     | CONNECTOR 1/4 X 1/4 FLANGE          | RACCORD 1/4 X 1/4 BRIDE              | ANSCHLUSS 1/4X1/4 FLANSCH            |
| 22  | 62050001 | CALDAIA 1GR ER SC.D-60                       | BOILER 1GR - DISTRIBUTION           | CHAUDIERE 1GR - DEBIT                | KESSEL 1GR - AUSGABE                 |
| 23  | 23215    | RACCORDO 1/2 T                               | CONNECTOR 'T' 1/2                   | RACCORD 1/2 "T"                      | FITTING 1/2 "T"                      |
| 24  | 52002788 | TBS.D-6 L.85 1-4GR W 67 INIETTORE            | DRAIN TUBE D6 L85 1-4GR             | TUYAU A VIDANGER D6 L85 1-4GR        | ROHR D-6 L.85                        |
| 25  | 53011    | FLANGIA NORMALE SENZA FORI                   | FLANGE WITHOUT HOLES                | BRIDE SANS TROUS                     | NORMALER FLANSCH OHNE LÖCHER         |
| 26  | 23556    | VITE TCEI INOX 10X20 UNI5931 DIN912          | STEEL SCREW TCCE 10X20              | VIS INOX TCCE 10X20                  | STAHLSCHRAUBE TCCE 10X20             |
| 27  | 12007    | GUARNIZIONE KLINGERSIL4400                   | KLINGERSIL4400 COPPER SEAL          | JOINT KLINGERSIL4400 POUR BOUCHON    | DICHTUNG KLINGER SIL4400 X DECKEL    |
| 28  | 25782    | TAPPO FEMMINA 1/4 GAS                        | 1/4 GAS FEMALE TAP                  | BOUCHON FEMELLE 1/4 GAZ              | INNENANSCHLUSSSTÖPSEL 1/4 GAS        |
| 29  | 56132    | ASS. RACCORDO 23215 + GU CU 12105            | CONNECTOR 23215 + GU CU 12105       | RACCORD 23215 + GU CU 12105          | ANSCHLUSS 23215 + GU CU 12105        |
| 30  | 56131    | ASS. RACCORDO 23214 + GU CU 12105            | CONNECTOR 23214 + GU CU 12105       | RACCORD 23214 + GU CU 12105          | ANSCHLUSS 23214 + GU CU 12105        |

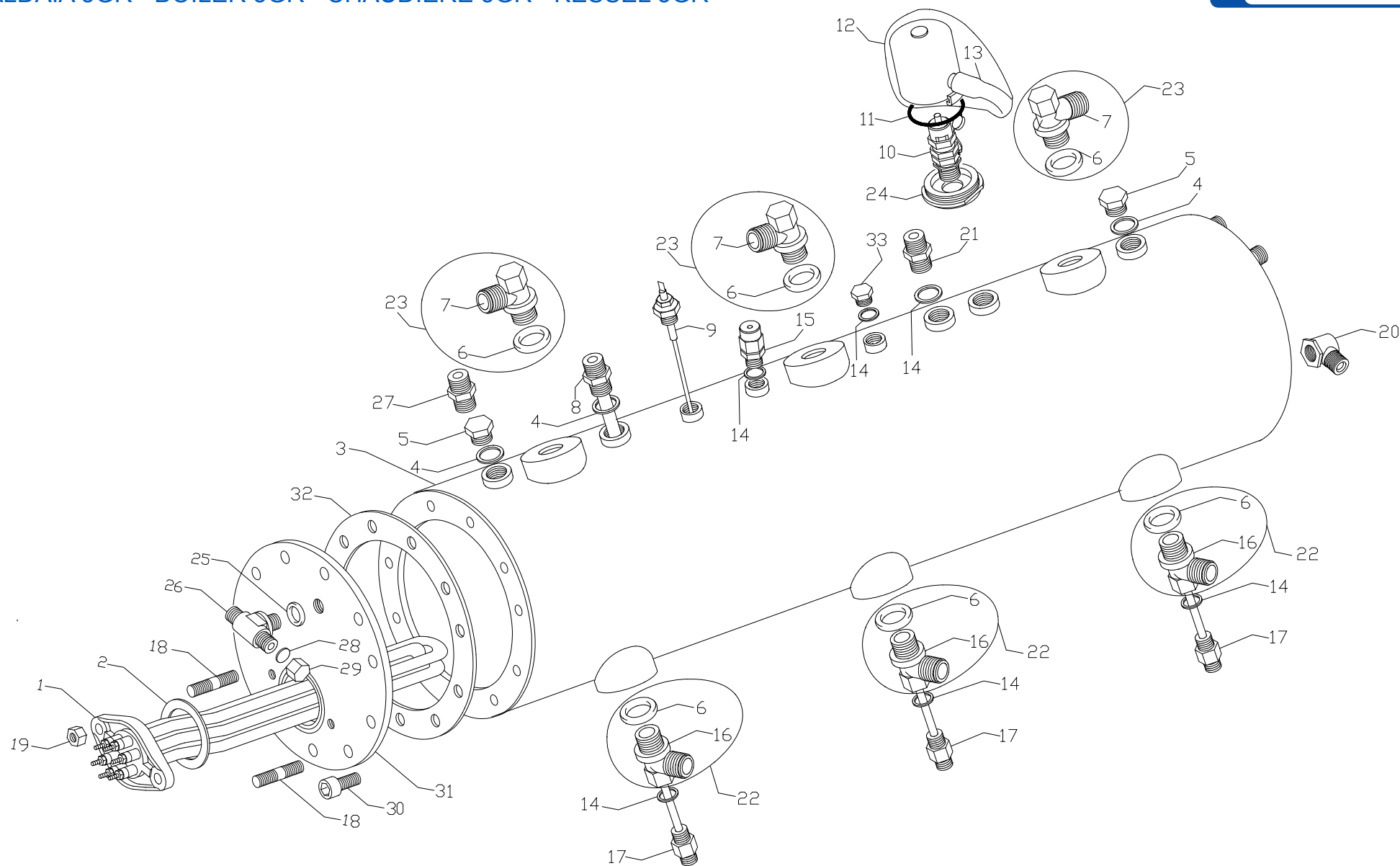


| Pos | Cod.     | Denominazione - IT -                     | Denomination - GB -                 | Denomination - FR -                  | Denomination - DE -                  |
|-----|----------|------------------------------------------|-------------------------------------|--------------------------------------|--------------------------------------|
| 1   | 23049    | DADO OTTONE M8 UNI 5587                  | BRASS NUT M8 UNI 5587               | ECROU LAITON M8 UNI 5587             | MESSING-SCHRAUBENMUTTER M8 UNI 5587  |
| 2   | 17012    | RESISTENZA 1GR 6P 230/380V 2700W         | HEAT.ELEM.1GR 230/380V 2700W 6POLES | RESISTANCE 1GR 230/380V 2700W/6POLES | HEIZKORPER 1GR 230/380V 2700W 6POLES |
| 3   | 12001    | GUARNIZIONE TEFLON VERGINE X RES/SCA 58X | TEFLON GASKET ELEMENT/EXCH. 58X43X2 | JOINT TEFLON RESIST/ECHANG. 58X43X2  | TEFLON DICHTUNG 58X23X2              |
| 4   | 23132001 | PRIG.INOX M8 FONDO CALD.ECONOMICA        | STEEL BOLT ASTM-A193 B8 10X32 CT    | VIS INOX ASTM-A193 B8 10X32 CT       | STAHLSCHRAUBE ASTM-A193 B8 10X32 CT  |
| 5   | 25770    | SPESSORE GRUPPO LEVETTA                  | LEVER GROUP THICKNESS               | EPAISSEUR GROUPE A LEVIER            | HEBELGRUPPIGE DICKE                  |
| 6   | 56302102 | ASS.TERMOSTATO 3POLI TRECI               | UNIT THERMOSTAT 3POLI               | ENSEMBLE THERMOSTAT 3POLI            | ENSEMBLE THERMOSTAT 3POLI            |
| 7   | 62050003 | CALDAIA 1GR ER ECONOMICA SC.D-60         | BOILER 1GR - DISTRIBUTION           | CHAUDIÈRE 1GR - DEBIT                | KESSEL 1GR - AUSGABE                 |
| 8   | 20251    | SONDA LIVELLO TL 10/B L125 908600        | TL 10/B L125 908600 LEVEL PROBE     | JAUGE TL 10/B L125 908600            | PEGELFÜHLER TL 10/B L125 908600      |
| 9   | 12154    | GUARNIZIONE CU 3/8 22X17X1.5             | 3/8 22X17X1.5 COPPER SEAL           | JOINT CUIVRE 3/8 22X17X1.5           | KUPFERDICHTUNG 3/8 22X17X1.5         |
| 10  | 25687    | RACCORDO 3/8X3/8 GAS                     | 3/8X3/8 GAS FITTING                 | RACCORD 3/8X3/8 GAZ                  | ANSCHLUSS 3/8X3/8 GAS                |
| 11  | 52001612 | TBS.D-10 L.115 1>4GR DE 13               | TUBE D-10 L.115 1>4GR DE 13         | TUYAU D-10 L.115 1>4GR DE 13         | ROHR D-10 L.115 1>4GR DE 13          |
| 12  | 56150    | VALVOLA ANTIRISUCCHIO V.A.R.             | ANTI-EDDY VALVE V.A.R.              | SOUPAPE ANTI-DEPRESSION V.A.R.       | VENTIL UNTERDRUCKFREI V.A.R.         |
| 13  | 12153    | GUARNIZIONE CU 1/4 17X13.3X1.5           | 1/4 17X13.3X1.5 COPPER SEAL         | JOINT CUIVRE 1/4 17X13.3X1.5         | KUPFERDICHTUNG 1/4 17X13.3X1.5       |
| 14  | 15006001 | FLANGIA GRIGOLY VALVOLA SIC.             | FLANGE GRIVORY VALVE                | JOINT GRIVORY VANNE                  | FLANSCH GRIVORY VENTIL               |
| 15  | 12300000 | GUARNIZIONE OR 3156 VITON X PISTONI      | O RING VITON                        | JOINT OR VITON                       | OR DICHTUNG VITON                    |
| 16  | 12105    | GUARNIZIONE CU/ALIM 1/2 GAS              | CU GASKET 1/2 GAS                   | JOINT CU 1/2 GAZ                     | CU DICHTUNG 1/2 GAS                  |
| 17  | 23214    | RACCORDO 1/2 L                           | CONNECTOR 1/2 L                     | RACCORD 1/2 L                        | FITTING 1/2 L                        |
| 18  | 56009980 | ASSIEME PROTEZIONE VALVOLE SICUREZZA     | UNIT PROTECTION VALVE               | ENSEMBLE PROTECTION VANNE            | SATZ-SCHUTZGITTER VENTIL             |
| 19  | 15478002 | TUBO SILICONE 8X11 L.70CM                | SILICONE TUBE 8X11 L.70CM           | TUYAU SILICONE 8X11 L.70CM           | SILIKONROHR 8X11 L.70CM              |
| 20  | 20352    | VALVOLA DI SICUREZZA *CE*                | *CE* SAFETY VALVE                   | SOUPAPE DE SECURITE *CE*             | SICHERHEITSVENTIL *CE*               |
| 21  | 56132    | ASS. RACCORDO 23215 + GU CU 12105        | CONNECTOR 23215 + GU CU 12105       | RACCORD 23215 + GU CU 12105          | ANSCHLUSS 23215 + GU CU 12105        |
| 22  | 56131    | ASS. RACCORDO 23214 + GU CU 12105        | CONNECTOR 23214 + GU CU 12105       | RACCORD 23214 + GU CU 12105          | ANSCHLUSS 23214 + GU CU 12105        |
| 23  | 23215    | RACCORDO 1/2 T                           | CONNECTOR 'T' 1/2                   | RACCORD 1/2 "T"                      | FITTING 1/2 "T"                      |
| 24  | 52002788 | TBS.D-6 L.85 1-4GR W 67 INIETTORE        | DRAIN TUBE D6 L85 1-4GR             | TUYAU A VIDANGER D6 L85 1-4GR        | ROHR D-6 L.85                        |
| 25  | 43060    | RACCORDO 1/4x1/4x1/4 T                   | CONNECTOR 'T' 1/4x1/4x1/4           | RACCORD 1/4x1/4x1/4 "T"              | FITTING 1/4x1/4x1/4 "T"              |
| 26  | 12100    | GUARNIZIONE CU 1/4 17X13.2X2.5           | 1/4 17X13.2X2.5 COPPER SEAL         | JOINT CUIVRE 1/4 17X13.2X2.5         | KUPFERDICHTUNG 1/4 17X13.2X2.5       |
| 27  | 43070    | RACCORDO "L" 3/8F GAS CON. 3/8M GAS      | 3/8Fx3/8M GAS FITTING               | RACCORD 3/8Fx3/8M GAZ                | ANSCHLUSS 3/8Fx3/8M GAS              |

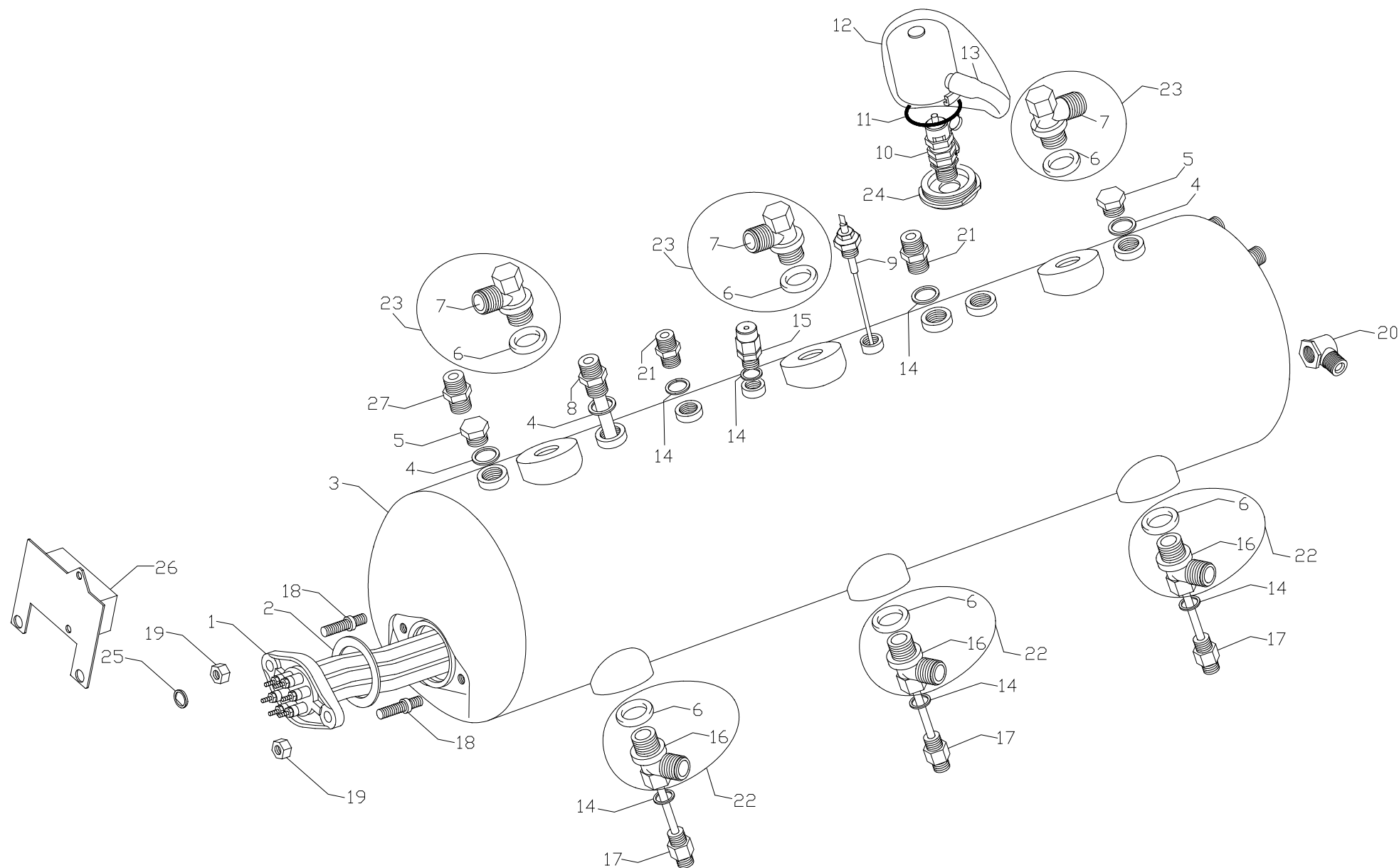




| Pos | Cod.     | Denominazione - IT -                     | Denomination - GB -                 | Denomination - FR -                 | Denomination - DE -                 |
|-----|----------|------------------------------------------|-------------------------------------|-------------------------------------|-------------------------------------|
| 1   | 17059    | RESISTENZA 2GR 6P 230/380V 3400W         | HEATING EL.2GR 220/380V-3400W 6POLE | RESISTANCE 2GR 220/380V-3400W 6POLE | HEIZKORPER 2GR 220/380V-3400W 6P    |
| 2   | 12001    | GUARNIZIONE TEFLON VERGINE X RES/SCA 58X | TEFLON GASKET ELEMENT/EXCH. 58X43X2 | JOINT TEFLON RESIST/ECHANG. 58X43X2 | TEFLON DICHTUNG 58X23X2             |
| 3   | 62203    | CALDAIA 2GR ER ECO                       | BOILER 2GR ECO                      | CHAUDIERE 2GR ECO                   | KESSEL 2GR ECO                      |
| 4   | 12154    | GUARNIZIONE CU 3/8 22X17X1.5             | 3/8 22X17X1.5 COPPER SEAL           | JOINT CUIVRE 3/8 22X17X1.5          | KUPFERDICHTUNG 3/8 22X17X1.5        |
| 5   | 25785    | TAPPO MASCHIO 3/8                        | MALE CAP 3/8                        | BOUCHON MALE 3/8                    | STOPFEN 3/8                         |
| 6   | 12105    | GUARNIZIONE CU/ALIM 1/2 GAS              | CU GASKET 1/2 GAS                   | JOINT CU 1/2 GAZ                    | CU DICHTUNG 1/2 GAS                 |
| 7   | 23214    | RACCORDO 1/2 L                           | CONNECTOR 1/2 L                     | RACCORD 1/2 L                       | FITTING 1/2 L                       |
| 8   | 52001612 | TBS.D-10 L.115 1>4GR DE 13               | TUBE D-10 L.115 1>4GR DE 13         | TUYAU D-10 L.115 1>4GR DE 13        | ROHR D-10 L.115 1>4GR DE 13         |
| 9   | 20251    | SONDA LIVELLO TL 10/B L125 908600        | TL 10/B L125 908600 LEVEL PROBE     | JAUGE TL 10/B L125 908600           | PEGELFÜHLER TL 10/B L125 908600     |
| 10  | 20352    | VALVOLA DI SICUREZZA *CE*                | *CE* SAFETY VALVE                   | SOUPAPE DE SECURITE *CE*            | SICHERHEITSVENTIL *CE*              |
| 11  | 12300000 | GUARNIZIONE OR 3156 VITON X PISTONI      | O RING VITON                        | JOINT OR VITON                      | OR DICHTUNG VITON                   |
| 12  | 56009980 | ASSIEME PROTEZIONE VALVOLE SICUREZZA     | UNIT PROTECTION VALVE               | ENSEMBLE PROTECTION VANNE           | SATZ-SCHUTZGITTER VENTIL            |
| 13  | 15478002 | TUBO SILICONE 8X11 L.70CM                | SILICONE TUBE 8X11 L.70CM           | TUYAU SILICONE 8X11 L.70CM          | SILIKONROHR 8X11 L.70CM             |
| 14  | 12153    | GUARNIZIONE CU 1/4 17X13.3X1.5           | 1/4 17X13.3X1.5 COPPER SEAL         | JOINT CUIVRE 1/4 17X13.3X1.5        | KUPFERDICHTUNG 1/4 17X13.3X1.5      |
| 15  | 56150    | VALVOLA ANTIRISUCCHIO V.A.R.             | ANTI-EDDY VALVE V.A.R.              | SOUPAPE ANTI-DEPRESSION V.A.R.      | VENTIL UNTERDRUCKFREI V.A.R.        |
| 16  | 23215    | RACCORDO 1/2 T                           | CONNECTOR 'T' 1/2                   | RACCORD 1/2 "T"                     | FITTING 1/2 "T"                     |
| 17  | 52002788 | TBS.D-6 L.85 1-4GR W 67 INIETTORE        | DRAIN TUBE D6 L85 1-4GR             | TUYAU A VIDANGER D6 L85 1-4GR       | ROHR D-6 L.85                       |
| 18  | 23132001 | PRIG.INOX M8 FONDO CALD.ECONOMICA        | STEEL BOLT ASTM-A193 B8 10X32 CT    | VIS INOX ASTM-A193 B8 10X32 CT      | STAHLSCHRAUBE ASTM-A193 B8 10X32 CT |
| 19  | 23049    | DADO OTTONE M8 UNI 5587                  | BRASS NUT M8 UNI 5587               | ECROU LAITON M8 UNI 5587            | MESSING-SCHRAUBENMUTTER M8 UNI 5587 |
| 20  | 43033    | RACCORDO "T" 3/8X3/8X1/4                 | 3/8X3/8X1/4 T FITTING               | RACCORD "T" 3/8X3/8X1/4             | ANSCHLUSS 3/8X3/8X1/4 T             |
| 21  | 25687    | RACCORDO 3/8X3/8 GAS                     | 3/8X3/8 GAS FITTING                 | RACCORD 3/8X3/8 GAZ                 | ANSCHLUSS 3/8X3/8 GAS               |
| 22  | 56132    | ASS. RACCORDO 23215 + GU CU 12105        | CONNECTOR 23215 + GU CU 12105       | RACCORD 23215 + GU CU 12105         | ANSCHLUSS 23215 + GU CU 12105       |
| 23  | 56131    | ASS. RACCORDO 23214 + GU CU 12105        | CONNECTOR 23214 + GU CU 12105       | RACCORD 23214 + GU CU 12105         | ANSCHLUSS 23214 + GU CU 12105       |
| 24  | 15006001 | FLANGIA GRIGORY VALVOLA SIC.             | FLANGE GRIVORY VALVE                | JOINT GRIVORY VANNE                 | FLANSCH GRIVORY VENTIL              |
| 25  | 12101    | GUARNIZIONE CU/ALIM 3/8 22X17X3          | 3/8 22X17X3 FEEDER/COPPER SEAL      | JOINT CUIVRE/ALIM 3/8 22X17X3       | KUPFERDICHTUNG/SPEIS. 3/8 22X17X3   |
| 26  | 25770    | SPESSORE GRUPPO LEVETTA                  | LEVER GROUP THICKNESS               | EPAISSEUR GROUPE A LEVIER           | HEBELGRUPPIGE DICKE                 |
| 27  | 56302102 | ASS.TERMOSTATO 3POLI TRECI               | UNIT THERMOSTAT 3POLE               | ENSEMBLE THERMOSTAT 3POLI           | ENSEMBLE THERMOSTAT 3P              |
| 28  | 43070    | RACCORDO "L" 3/8F CON 3/8M GAS           | 3/8Fx3/8M GAS FITTING               | RACCORD 3/8Fx3/8M GAZ               | ANSCHLUSS 3/8Fx3/8M GAS             |



| Pos | Cod.     | Denominazione - IT -                         | Denomination - GB -                 | Denomination - FR -                 | Denomination - DE -                 |
|-----|----------|----------------------------------------------|-------------------------------------|-------------------------------------|-------------------------------------|
| 1   | 17107    | RESISTENZA 3GR 6P 230/380V 5000W             | HEATING EL.3GR 230/380V 5000W 6POLE | RESISTANCE 3GR 230/380V 5000W 6POLE | HEIZKORPER 3GR 230/380V 5000W 6P    |
| 2   | 12001    | GUARNIZIONE TEFLON VERGINEXRES/SCA 58X43x2   | TEFLON GASKET ELEMENT/EXCH. 58X43X2 | JOINT TEFLON RESIST/ECHANG. 58X43X2 | TEFLON DICHTUNG 58X43X2             |
| 3   | 62281001 | CALDAIA 3GR WEGA ER SC.D-60                  | BOILER 3GR WEGA ER SC.D-60          | CHAUDIÈRE 3GR WEGA ER SC.D-60       | KESSEL 3GR WEGA ER SC.D-60          |
| 4   | 12154    | GUARNIZIONE CU 3/8 22X17X1.5                 | 3/8 22X17X1.5 COPPER SEAL           | JOINT CUIVRE 3/8 22X17X1.5          | KUPFERDICHTUNG 3/8 22X17X1.5        |
| 5   | 25785    | TAPPO MASCHIO 3/8                            | MALE CAP 3/8                        | BOUCHON MALE 3/8                    | STOPFEN 3/8                         |
| 6   | 12105    | GUARNIZIONE CU/ALIM 1/2 GAS                  | CU GASKET 1/2 GAS                   | JOINT CU 1/2 GAZ                    | CU DICHTUNG 1/2 GAS                 |
| 7   | 23214    | RACCORDO 1/2 L                               | CONNECTOR 1/2 L                     | RACCORD 1/2 L                       | FITTING 1/2 L                       |
| 8   | 52001612 | TBS.D-10 L.115 1>4GR DE 13                   | TUBE D-10 L.115 1>4GR DE 13         | TUYAU D-10 L.115 1>4GR DE 13        | ROHR D-10 L.115 1>4GR DE 13         |
| 9   | 20251    | SONDA LIVELLO TL 10/B L125 908600            | TL 10/B L125 908600 LEVEL PROBE     | JAUGE TL 10/B L125 908600           | PEGELFÜHLER TL 10/B L125 908600     |
| 10  | 20352    | VALVOLA DI SICUREZZA *CE*                    | *CE* SAFETY VALVE                   | SOUPAPE DE SECURITE *CE*            | SICHERHEITSVENTIL *CE*              |
| 11  | 12300000 | GUARNIZIONE OR 3156 VITON X PISTONI          | O RING VITON                        | JOINT OR VITON                      | OR DICHTUNG VITON                   |
| 12  | 56009980 | ASSIEME PROTEZIONE VALVOLE SICUREZZA         | UNIT PROTECTION VALVE               | ENSEMBLE PROTECTION VANNE           | SATZ-SCHUTZGITTER VENTIL            |
| 13  | 15478002 | TUBO SILICONE 8X11 L.70CM                    | SILICONE TUBE 8X11 L.70CM           | TUYAU SILICONE 8X11 L.70CM          | SILIKONROHR 8X11 L.70CM             |
| 14  | 12153    | GUARNIZIONE CU 1/4 17X13.3X1.5               | 1/4 17X13.3X1.5 COPPER SEAL         | JOINT CUIVRE 1/4 17X13.3X1.5        | KUPFERDICHTUNG 1/4 17X13.3X1.5      |
| 15  | 56150    | VALVOLA ANTIRISUCCHIO V.A.R.                 | ANTI-EDDY VALVE V.A.R.              | SOUPAPE ANTI-DEPRESSION V.A.R.      | VENTIL UNTERDRUCKFREI V.A.R.        |
| 16  | 23215    | RACCORDO 1/2 T                               | CONNECTOR 'T' 1/2                   | RACCORD 1/2 "T"                     | FITTING 1/2 "T"                     |
| 17  | 52002788 | TBS.D-6 L.85 1-4GR W 67 INIETTORE            | DRAIN TUBE D6 L85 1-4GR             | TUYAU A VIDANGER D6 L85 1-4GR       | ROHR D-6 L.85                       |
| 18  | 23133    | PRIGIONIERO INOX AISI304 8X30 DIN 939        | STAINLESS STEEL BOLT AISI304 8X30   | VIS INOX AISI304 8X30               | STAHLSCHRAUBE 8X40 AISI304 8X30     |
| 19  | 23049    | DADO OTTONE M8 UNI 5587                      | BRASS NUT M8 UNI 5587               | ECROU LAITON M8 UNI 5587            | MESSING-SCHRAUBENMUTTER M8 UNI 5587 |
| 20  | 43070    | RACCORDO "L" 3/8F GAS CON 3/8M GAS           | 3/8Fx3/8M L FITTING                 | RACCORD "L" 3/8Fx3/8M               | ANSCHLUSS 3/8Fx3/8M L               |
| 21  | 25686    | RACCORDO 1/4x1/4 FLANGIA                     | 1/4x1/4 FITTING                     | RACCORD 1/4x1/4                     | ANSCHLUSS 1/4x1/4                   |
| 22  | 56132    | ASS. RACCORDO 23215 + GU CU 12105            | CONNECTOR 23215 + GU CU 12105       | RACCORD 23215 + GU CU 12105         | ANSCHLUSS 23215 + GU CU 12105       |
| 23  | 56131    | ASS. RACCORDO 23214 + GU CU 12105            | CONNECTOR 23214 + GU CU 12105       | RACCORD 23214 + GU CU 12105         | ANSCHLUSS 23214 + GU CU 12105       |
| 24  | 15006001 | FLANGIA GRIGORY VALVOLA SIC.                 | FLANGE GRIVORY VALVE                | JOINT GRIVORY VANNE                 | FLANSCH GRIVORY VENTIL              |
| 25  | 12100    | GUARNIZIONE CU/ALIM 1/4 18.7X13.2X2.5        | CU GASKET 1/4 18.7X13.2X2.5         | JOINT CU 1/4 18.7X13.2X2.5          | CU DICHTUNG 1/4 18.7X13.2X2.5       |
| 26  | 43060    | RACCORDO 1/4X1/4X1/4 T                       | 'T' CONNECTOR 1/4 x 1/4 x 1/4       | RACCORD 'T' 1/4 x 1/4 x 1/4         | T'-ANSCHLUSS 1/4 x 1/4 x 1/4        |
| 27  | 25687    | RACCORDO 3/8x3/8 GAS                         | 3/8x3/8 FITTING                     | RACCORD 3/8x3/8                     | ANSCHLUSS 3/8x3/8                   |
| 28  | 12007    | GUARNIZIONE KLINGERSIL4400                   | KLINGERSIL4400 COPPER SEAL          | JOINT KLINGERSIL4400 POUR BOUCHON   | DICHTUNG KLINGER SIL4400 X DECKEL   |
| 29  | 25782    | TAPPO FEMMINA 1/4 GAS                        | 1/4 GAS FEMALE TAP                  | BOUCHON FEMELLE 1/4 GAZ             | INNENANSCHLUSSSTÖPSEL 1/4 GAS       |
| 30  | 23556    | VITE TCEI INOX 10X20 UNI5931 DIN912          | STEEL SCREW TCCE 10X20              | VIS INOX TCCE 10X20                 | STAHLSCHRAUBE TCCE 10X20            |
| 31  | 53011    | FLANGIA NORMALE SENZA FORI                   | FLANGE WITHOUT HOLES                | BRIDE SANS TROUS                    | NORMALER FLANSCH OHNE LÖCHER        |
| 32  | 12003    | GUARNIZIONE TEFLON VERGINEXCALDAIA 190X139X2 | BOILER TEFLON GASKET 190X139X2      | JOINT CHAUDIÈRE TEFLON 190X139X2    | TEFLON KESSELDICHTUNG 190X139X2     |
| 33  | 25780    | TAPPO MASCHIO OTTONE 1/4                     | BRASS MALE CAP 1/4                  | BOUCHON MALE LAITON 1/4             | MESSING-STOPFEN 1/4                 |



**START**

| Pos | Cod.     | Denominazione - IT -                     | Denomination - GB -                 | Denomination - FR -                 | Denomination - DE -                 |
|-----|----------|------------------------------------------|-------------------------------------|-------------------------------------|-------------------------------------|
| 1   | 17107    | RESISTENZA 3GR 6P 230/380V 5000W         | HEATING EL.3GR 230/380V 5000W 6POLE | RESISTANCE 3GR 230/380V 5000W 6POLE | HEIZKORPER 3GR 230/380V 5000W 6P    |
| 2   | 12001    | GUARNIZIONE TEFLON VERGINE X RES/SCA 58X | TEFLON GASKET ELEMENT/EXCH. 58X43X2 | JOINT TEFLON RESIST/ECHANG. 58X43X2 | TEFLON DICHTUNG 58X23X2             |
| 3   | 62281003 | CALDAIA 3GR ER ECO                       | BOILER 3GR ECO                      | CHAUDIÈRE 3GR ECO                   | KESSEL 3GR ECO                      |
| 4   | 12154    | GUARNIZIONE CU 3/8 22X17X1.5             | 3/8 22X17X1.5 COPPER SEAL           | JOINT CUIVRE 3/8 22X17X1.5          | KUPFERDICHTUNG 3/8 22X17X1.5        |
| 5   | 25785    | TAPPO MASCHIO 3/8                        | MALE CAP 3/8                        | BOUCHON MALE 3/8                    | STOPFEN 3/8                         |
| 6   | 12105    | GUARNIZIONE CU/ALIM 1/2 GAS              | CU GASKET 1/2 GAS                   | JOINT CU 1/2 GAZ                    | CU DICHTUNG 1/2 GAS                 |
| 7   | 23214    | RACCORDO 1/2 L                           | CONNECTOR 1/2 L                     | RACCORD 1/2 L                       | FITTING 1/2 L                       |
| 8   | 52001612 | TBS.D-10 L.115 1>4GR DE 13               | TUBE D-10 L.115 1>4GR DE 13         | TUYAU D-10 L.115 1>4GR DE 13        | ROHR D-10 L.115 1>4GR DE 13         |
| 9   | 20251    | SONDA LIVELLO TL 10/B L125 908600        | TL 10/B L125 908600 LEVEL PROBE     | JAUGE TL 10/B L125 908600           | PEGELFÜHLER TL 10/B L125 908600     |
| 10  | 20352    | VALVOLA DI SICUREZZA *CE*                | *CE* SAFETY VALVE                   | SOUPAPE DE SECURITE *CE*            | SICHERHEITSENTIL *CE*               |
| 11  | 12300000 | GUARNIZIONE OR 3156 VITON X PISTONI      | O RING VITON                        | JOINT OR VITON                      | OR DICHTUNG VITON                   |
| 12  | 56009980 | ASSIEME PROTEZIONE VALVOLE SICUREZZA     | UNIT PROTECTION VALVE               | ENSEMBLE PROTECTION VANNE           | SATZ-SCHUTZGITTER VENTIL            |
| 13  | 15478002 | TUBO SILICONE 8X11 L.70CM                | SILICONE TUBE 8X11 L.70CM           | TUYAU SILICONE 8X11 L.70CM          | SILIKONROHR 8X11 L.70CM             |
| 14  | 12153    | GUARNIZIONE CU 1/4 17X13.3X1.5           | 1/4 17X13.3X1.5 COPPER SEAL         | JOINT CUIVRE 1/4 17X13.3X1.5        | KUPFERDICHTUNG 1/4 17X13.3X1.5      |
| 15  | 56150    | VALVOLA ANTIRISUCCHIO V.A.R.             | ANTI-EDDY VALVE V.A.R.              | SOUPAPE ANTI-DEPRESSION V.A.R.      | VENTIL UNTERDRUCKFREI V.A.R.        |
| 16  | 23215    | RACCORDO 1/2 T                           | CONNECTOR 'T' 1/2                   | RACCORD 1/2 "T"                     | FITTING 1/2 "T"                     |
| 17  | 52002788 | TBS.D-6 L.85 1-4GR W 67 INIETTORE        | DRAIN TUBE D6 L85 1-4GR             | TUYAU A VIDANGER D6 L85 1-4GR       | ROHR D-6 L.85                       |
| 18  | 23132001 | PRIG.INOX M8 FONDO CALD.ECONOMICA        | STEEL BOLT ASTM-A193 B8 10X32 CT    | VIS INOX ASTM-A193 B8 10X32 CT      | STAHLSCHRAUBE ASTM-A193 B8 10X32 CT |
| 19  | 23049    | DADO OTTONE M8 UNI 5587                  | BRASS NUT M8 UNI 5587               | ECROU LAITON M8 UNI 5587            | MESSING-SCHRAUBENMUTTER M8 UNI 5587 |
| 20  | 43070    | RACCORDO "L" 3/8F GAS CON 3/8M GAS       | 3/8Fx3/8M L FITTING                 | RACCORD "L" 3/8Fx3/8M               | ANSCHLUSS 3/8Fx3/8M L               |
| 21  | 25686    | RACCORDO 1/4x1/4 FLANGIA                 | 1/4x1/4 FITTING                     | RACCORD 1/4x1/4                     | ANSCHLUSS 1/4x1/4                   |
| 22  | 56132    | ASS. RACCORDO 23215 + GU CU 12105        | CONNECTOR 23215 + GU CU 12105       | RACCORD 23215 + GU CU 12105         | ANSCHLUSS 23215 + GU CU 12105       |
| 23  | 56131    | ASS. RACCORDO 23214 + GU CU 12105        | CONNECTOR 23214 + GU CU 12105       | RACCORD 23214 + GU CU 12105         | ANSCHLUSS 23214 + GU CU 12105       |
| 24  | 15006001 | FLANGIA GRIGORY VALVOLA SIC.             | FLANGE GRIVORY VALVE                | JOINT GRIVORY VANNE                 | FLANSCH GRIVORY VENTIL              |
| 25  | 25770    | SPESSORE GRUPPO LEVETTA                  | LEVER GROUP THICKNESS               | EPAISSEUR GROUPE A LEVIER           | HEBELGRUPPIGE DICKE                 |
| 26  | 56302102 | ASS.TERMOSTATO 3POLI TRECI               | UNIT THERMOSTAT 3POLI               | ENSEMBLE THERMOSTAT 3POLI           | ENSEMBLE THERMOSTAT 3P              |
| 27  | 25687    | RACCORDO 3/8x3/8 GAS                     | 3/8x3/8 FITTING                     | RACCORD 3/8x3/8                     | ANSCHLUSS 3/8x3/8                   |

**INDICE - INDEX - SOMMAIRE - VERZEICHNIS**

rev.

**ITW-41**IMPIANTO IDRAULICO EPU/1 - HYDRAULIC CIRCUIT EPU/1  
CIRCUIT HYDRAULIQUE EPU/1 - WASSER ANLAGE EPU/1**01**  
10/2013**ITW-42**IMPIANTO IDRAULICO EVD/1 - HYDRAULIC CIRCUIT EVD/1  
CIRCUIT HYDRAULIQUE EVD/1 - WASSER ANLAGE EVD/1**02**  
01/2013**ITW-43**IMPIANTO IDRAULICO EPU/2 - HYDRAULIC CIRCUIT EPU/2  
CIRCUIT HYDRAULIQUE EPU/2 - WASSER ANLAGE EPU/2**01**  
10/2013**ITW-44**IMPIANTO IDRAULICO EVD/2 - HYDRAULIC CIRCUIT EVD/2  
CIRCUIT HYDRAULIQUE EVD/2 - WASSER ANLAGE EVD/2**02**  
01/2013**ITW-45**IMPIANTO IDRAULICO EPU/3 - HYDRAULIC CIRCUIT EPU/3  
CIRCUIT HYDRAULIQUE EPU/3 - WASSER ANLAGE EPU/3**01**  
10/2013**ITW-46**IMPIANTO IDRAULICO EVD/3 - HYDRAULIC CIRCUIT EVD/3  
CIRCUIT HYDRAULIQUE EVD/3 - WASSER ANLAGE EVD/3**02**  
01/2013

IMPIANTO IDRAULICO

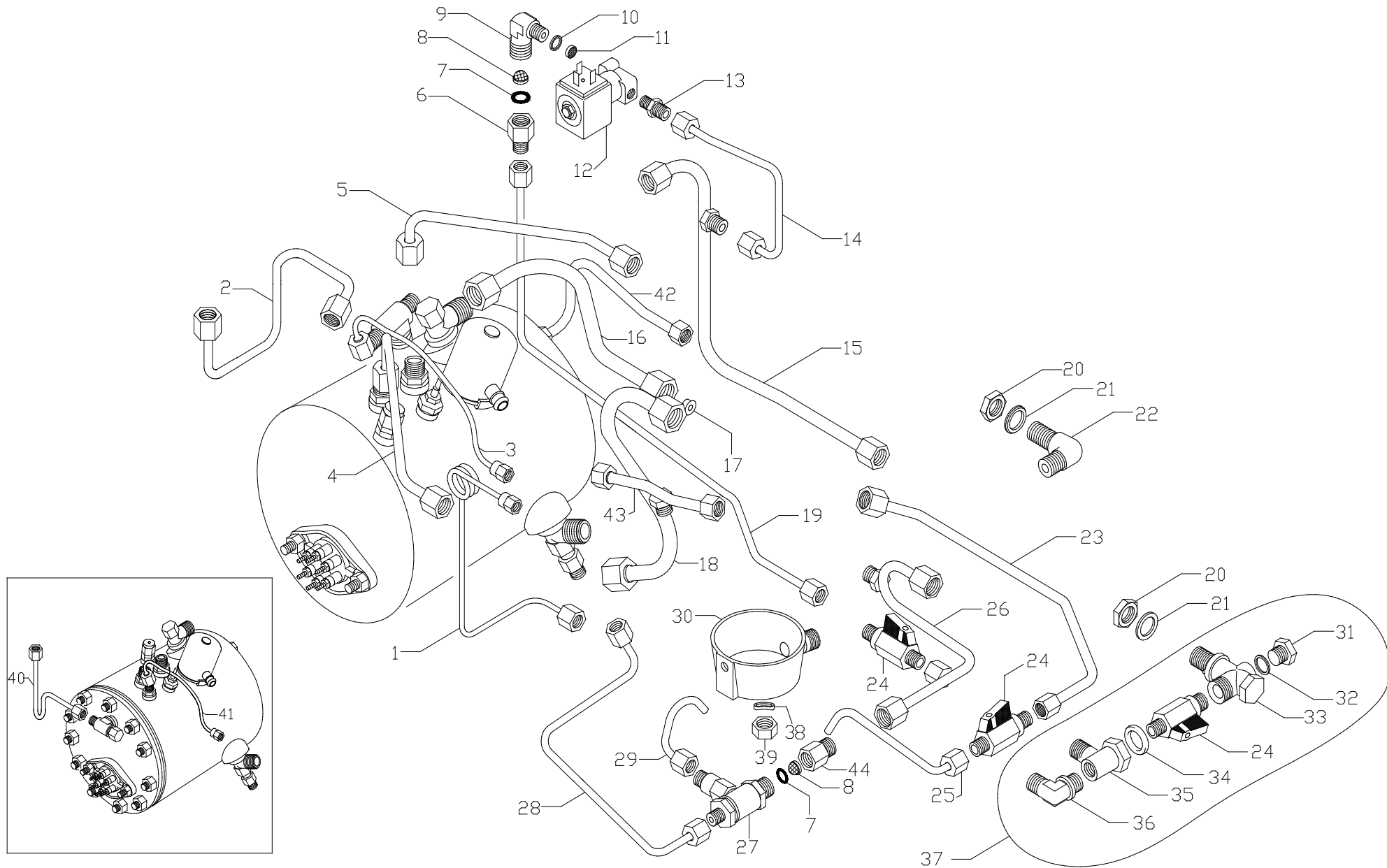
HYDRAULIC CIRCUIT

CIRCUIT HYDRAULIQUE

WASSER ANLAGE

**START**

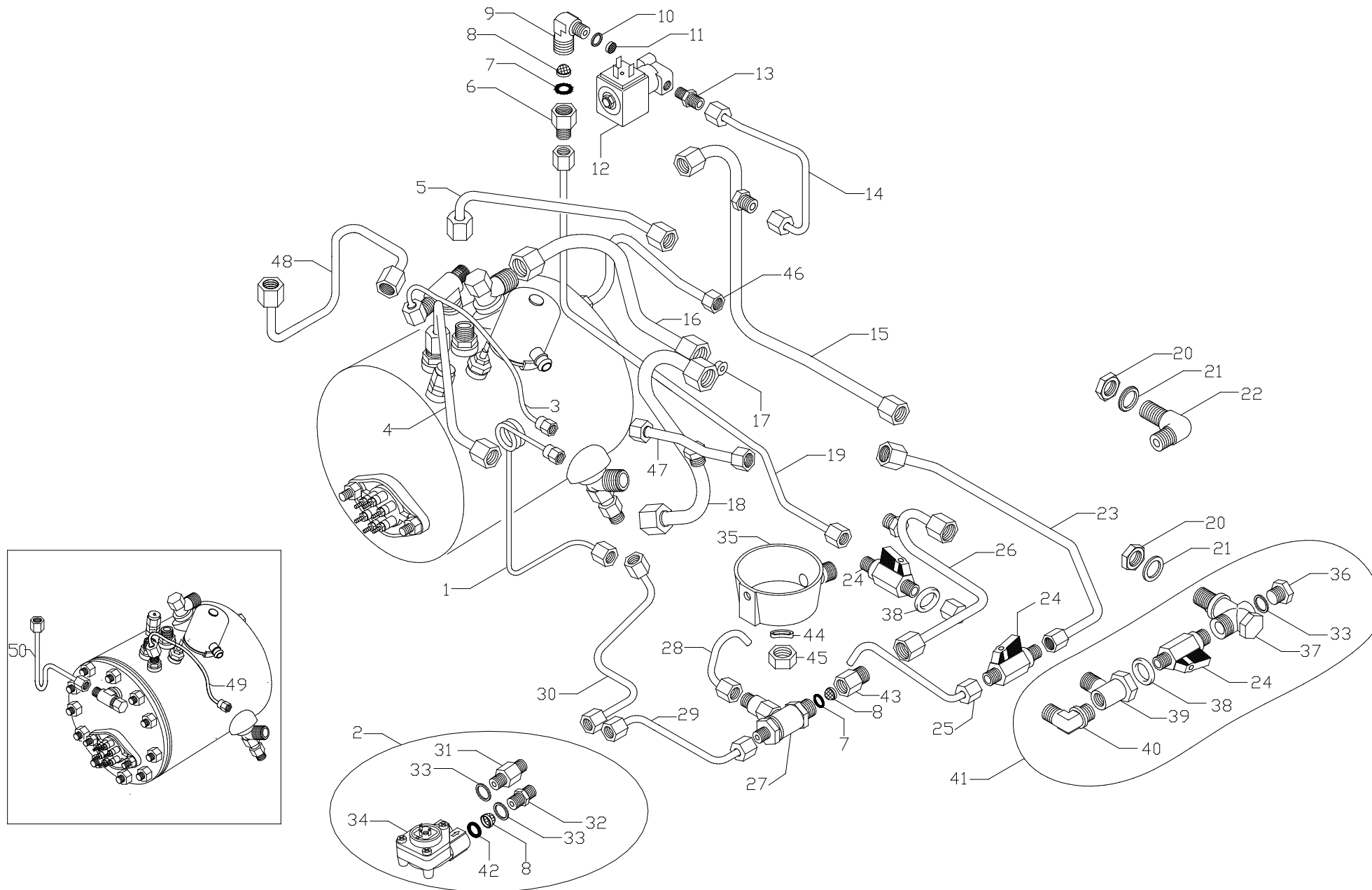
Impianto idraulico EPU 1GR-Hydraulic circuit EPU 1GR-Circuit hydraulique EPU 1GR-Wasser anlage EPU 1GR



**START**



| Pos | Cod.     | Denominazione - IT -                         | Denomination - GB -                 | Denomination - FR -                 | Denomination - DE -                  |
|-----|----------|----------------------------------------------|-------------------------------------|-------------------------------------|--------------------------------------|
| 1   | 52000110 | TBS.D-4 L.730 1-4GR A 44                     | TUBE D-4 L.730 1-4 GR A 44          | TUYAU D-4 L.730 1-4GR A 44          | ROHR D-4 L.730 1-4GR A 44            |
| 2   | 52003410 | TBS.D-6 L.307 ECO/RO 1GR W271 CLD>PRESOSTATO | TUBE D-6 L.307 ECO/RO 1GR W271      | TUYAU D-6 L.307 ECO/RO 1GR W271     | ROHR D-6 L.307 ECO/RO 1GR W271       |
| 3   | 52001437 | TBS.D-4 L.435 1GR CTS AR 60                  | TUBE D-4 L.435                      | TUYAU D-4 L.435                     | ROHR D-4 L.435                       |
| 4   | 52002732 | TUBO D-8 L.265 4GR W 21CALDAIA > RUBINET     | TUBE D-8 L.265 W21                  | TUYAU D-8 L.265 W21                 | ROHR D-8 L.265 W21                   |
| 5   | 52003209 | TUBO D-8 L.340 '99 W0 10 CALDAIA > VAPOR     | TUBE D-8 L.340 W010                 | TUYAU D-8 L.340 W010                | ROHR D-8 L.340 W010                  |
| 6   | 25705    | RACCORDO FILTRO AEA                          | AUT.WATER REFILL FILTER CONNECTOR   | RACCORD FILTRE REM.EAU.AUT.         | FILTERFITTING AUT.WASSERFÜLLUNG      |
| 7   | 12312    | GUARNIZIONE OR FILTRO AEA 10X2               | O RING FOR WATER REFILL FILTER 10X2 | JOINT OR FILTRE AUT.REM.EAU 10X2    | OR DICHTUNG FÜR WASSERFÜLLUNGFILTER  |
| 8   | 10254    | FILTRO ACCIAIO 160-200 MESH                  | STEEL FILTER 160-200 MESH           | FILTRE EN ACIER 160-200 MESH        | STAHLFILTER 160-200 MESH             |
| 9   | 23217    | RACCORDO GOMITO D10 3/8X1/8 CON AEA F 1.     | FITTING D10 3/8X1/8 WITH AWI F 1.2  | RACCORD GOMME D10 3/8X1/8 AEE F 1.2 | FITTING D10 3/8X1/8 MIT A.W.F. 1.2   |
| 10  | 12155    | GUARNIZIONE CU 8.5X5X1                       | COPPER GASKET 8.5X5X1               | JOINT CU 8.5X5X1                    | CU DICHTUNG 8.5X5X1                  |
| 11  | 10251001 | FILTRO IN ACCIAIO D-8 SP.0,3                 | STEEL FILTER D-8 - 0.3 THICK        | FILTRE EN ACIER D-8 EP.0,3          | STAHLFILTER D-8 SP.0,3               |
| 12  | 18162002 | ELETTROVALVOLA PRK 230V AEA VDE              | SOL.VALVE WATER REFILL 230V PRK     | ELECTROVANNE REA 230V PRK           | ELEKTROVENTIL AWZ 230V PRK           |
| 12  | 18160052 | ELETTROVALVOLA SIR 230V AEA                  | SOL.VALVE WATER REFILL 230V SIR     | ELECTROVANNE REA 230V SIR           | ELEKTROVENTIL AWZ 230V SIR           |
| 13  | 25707    | RACCORDO 1/8X1/4                             | CONNECTOR 1/8X1/4                   | RACCORD 1/8X1/4                     | ANSCHLUSS 1/8X1/4                    |
| 14  | 52002822 | TUB.D-6 L.295 1-4GR W 117 ELETTROVALVOLA     | TUBE D-6 L.295 W117                 | TUYAU D-6 L.295 W117                | ROHR D-6 L.295 W117                  |
| 15  | 52002963 | TBS.D-10 L.410 W 227                         | TUBE D-10 L.410 W227                | TUYAU D-10 L.410 W227               | ROHR D-10 L.410 W227                 |
| 16  | 52002961 | TBS.D-10 L.255 W 225                         | TUBE D-10 L.255 W225                | TUYAU D-10 L.255 W225               | ROHR D-10 L.255 W225                 |
| 17  | 23294003 | STROZZATURA RICIRCOLO CTS GR D 4             | CTS UNIT GROUP D4 RECIRC.NECK       | ETRANGLEMENT RECYCLAGE DU GROUPE D4 | ENGSTELLE UMWÜLZUNG GRUPPE D4        |
| 18  | 52002956 | TBS.D-10 L.245 W224                          | TUBE D-10 L.245 W224                | TUYAU D-10 L.245 W224               | ROHR D-10 L.245 W224                 |
| 19  | 52003303 | TUBO D-6 L.600 CW 4                          | TUBE D-6 L.600 CW 4                 | TUYAU D-6 L.600 CW 4                | ROHR D-6 L.600 CW 4                  |
| 20  | 25356    | CONTRODADO OTTONE 3/8                        | BRASS LOCK NUT 3/8                  | CONTRE-ECROU LAITON 3/8             | MESSING-GEGENMUTTER 3/8              |
| 21  | 25651    | RONDELLA OTTONE 3/8                          | BRASS WASHER 3/8                    | RONDELLE LAITON 3/8                 | MESSINGSCHLEIBE 3/8                  |
| 22  | 43067    | RACCORDO "L" 3/8 GASX3/8 GAS L.30            | 3/8 GAS X 3/8 GAS L FITTING L.30    | RACCORD L 3/8 GAZX3/8 GAZ L.30      | ANSCHLUSS L 3/8 GAS X 3/8 GAS L. 30  |
| 23  | 52002915 | TBS.D-8 L.455 W 180 SCARICO CA               | TUBE D-8 L.455 W180                 | TUYAU D-8 L.455 W180                | ROHR D-8 L.455 W180                  |
| 24  | 20354    | VALVOLA CHIUSURA AEA                         | PRESSURE RELEASE TAP BULK UNIT      | CLAPET FERMETURE AUT.ARRIVEE EAU    | ABSPERRVENTIL X AUT.WASSERZUFUHR     |
| 25  | 52001351 | TUB.D-6 L.170 2GR SAE LD 42                  | TUBE D-6 L.170 2GR SAE LD 42        | TUYAU D-6 L.170 2GR SAE LD 42       | ROHR D-6 L.170 2GR SAE LD 42         |
| 26  | 52003319 | TBS.D-8 L.245 COMPATTA CW 3/A                | TUBE D-8 L.245 COMPATTA PUMP-VALVE  | TUYAU D-8 L.245                     | ROHR D-8 L.245                       |
| 27  | 20361    | VALVOLA S.C.N.R. REGOLABILE                  | ADJUSTABLE S.C.N.R. VALVE           | SOUPAPE S.C.N.R. REGLABLE           | EINSTELLBARES VENTIL S.N.C.R.        |
| 28  | 52003004 | TBS.D-6 L.390 SP 5 SCNR > INIETTORE          | TUBE D-6 L.390 SP5                  | TUYAU D-6 L.390 SP5                 | ROHR D-6 L.390 SP5                   |
| 29  | 52001350 | TUB.D-6 L.105 2GR SAE LD 41                  | D-6 105 L PIPE 2GR SAE LD 41        | TUYAU D-6 L.105 2GR SAE LD 41       | ROHR D-6 L.105 2GR SAE LD 41         |
| 30  | 15502    | VASCHETTA SCARICO ROTONDA D 80               | ROUND DRAIN BASIN D.80MM            | CUVE A VIDANGER RONDE D.80MM        | RUNDE ABFLUSSCHALE D.80MM            |
| 31  | 25780    | TAPPO MASCHIO OTTONE 1/4                     | BRASS MALE CAP 1/4                  | BOUCHON MALE LAITON 1/4             | MESSING-STOPFEN 1/4                  |
| 32  | 12153    | GUARNIZIONE CU 1/4 17X13.3X1.5               | 1/4 17X13.3X1.5 COPPER SEAL         | JOINT CUIVRE 1/4 17X13.3X1.5        | KUPFERDICHTUNG 1/4 17X13.3X1.5       |
| 33  | 53001001 | CORPO LIVELLO INFERIORE                      | LOWER LEVEL CONNECTOR               | CORPS DE NIVEAU INFERIEUR           | UNTERNIVEAUKORPER                    |
| 34  | 12100    | GUARNIZIONE CU/ALIM 1/4 18.7X13.2X2.5        | CU GASKET 1/4 18.7X13.2X2.5         | JOINT CU 1/4 18.7X13.2X2.5          | CU DICHTUNG 1/4 18.7X13.2X2.5        |
| 35  | 43030001 | RACC.INIETTORE ITALIA 3/8Fx3/8Mx14F          | INJECTOR FITTING 3/8Fx3/8Mx14F      | RACCORD INJECTEUR 3/8Fx3/8Mx14F     | ANSCHLUSS EINSPRITZTER 3/8Fx3/8Mx14F |
| 36  | 43052    | RACCORDO "L" 3/8                             | CONNECTOR 'L' 3/8                   | RACCORD 'L' 3/8                     | ANSCHLUSS 'L' 3/8                    |
| 37  | 56134001 | ASSIEME BLOCCETTO POMPA                      | UNIT PUMP                           | ENSEMBLE POMPE                      | PUMPENSATZ                           |
| 38  | 23267    | RONDELLA ELAST.ONDUL.D10 DIN137              | ELASTIC WASHER D10 DIN137           | RONDELLE ELASTIQUE D10 DIN137       | ELASTISCHE SCHEIBE D10 DIN137        |
| 39  | 23052    | DADO OTTONE M10 UNI 5587                     | TOP BRASS NUT M10 UNI 5587          | ECROU LAITON SUPERIEUR M10 UNI 5587 | UNTER MESSING MUTTER M10 UNI 5587    |
| 40  | 52002964 | TBS.D-6 L.230 W228                           | TUBE D-6 L.230 W 228                | TUYAU D-6 L.230 W 228               | ROHR D-6 L.230 W 228                 |
| 41  | 52001433 | TBS.D-4 L.310 2-3GR CTS AR 56                | TUBE D-4 L.310 2-3GR CTS AR 56      | TUYAU D-4 L.310 2-3GR CTS AR 56     | ROHR D-4 L.310 2-3GR CTS AR 56       |
| 42  | 52002698 | TBS.D-10 L.300 W 1/B CALDAIA>LIV.SUP.        | TUBE D-10 L.300 W 1/B               | TUYAU D-10 L.300 W 1/B              | ROHR D-10 L.300 W 1/B                |
| 43  | 52002962 | TBS.D-10 L.160 ECO-RO 1GR W226               | TUBE D-10 L.160 ECO-RO 1G W226      | TUYAU D-10 L.160 ECO-RO 1G W226     | ROHR D-10 L.160 ECO-RO 1G W226       |
| 44  | 25732100 | RACC.3/8Mx3/8F + SEDE FILTRO                 | FITING 3/8Mx3/8F                    | RACCORD 3/8Mx3/8F                   | ANSCHLUSS 3/8Mx3/8F                  |

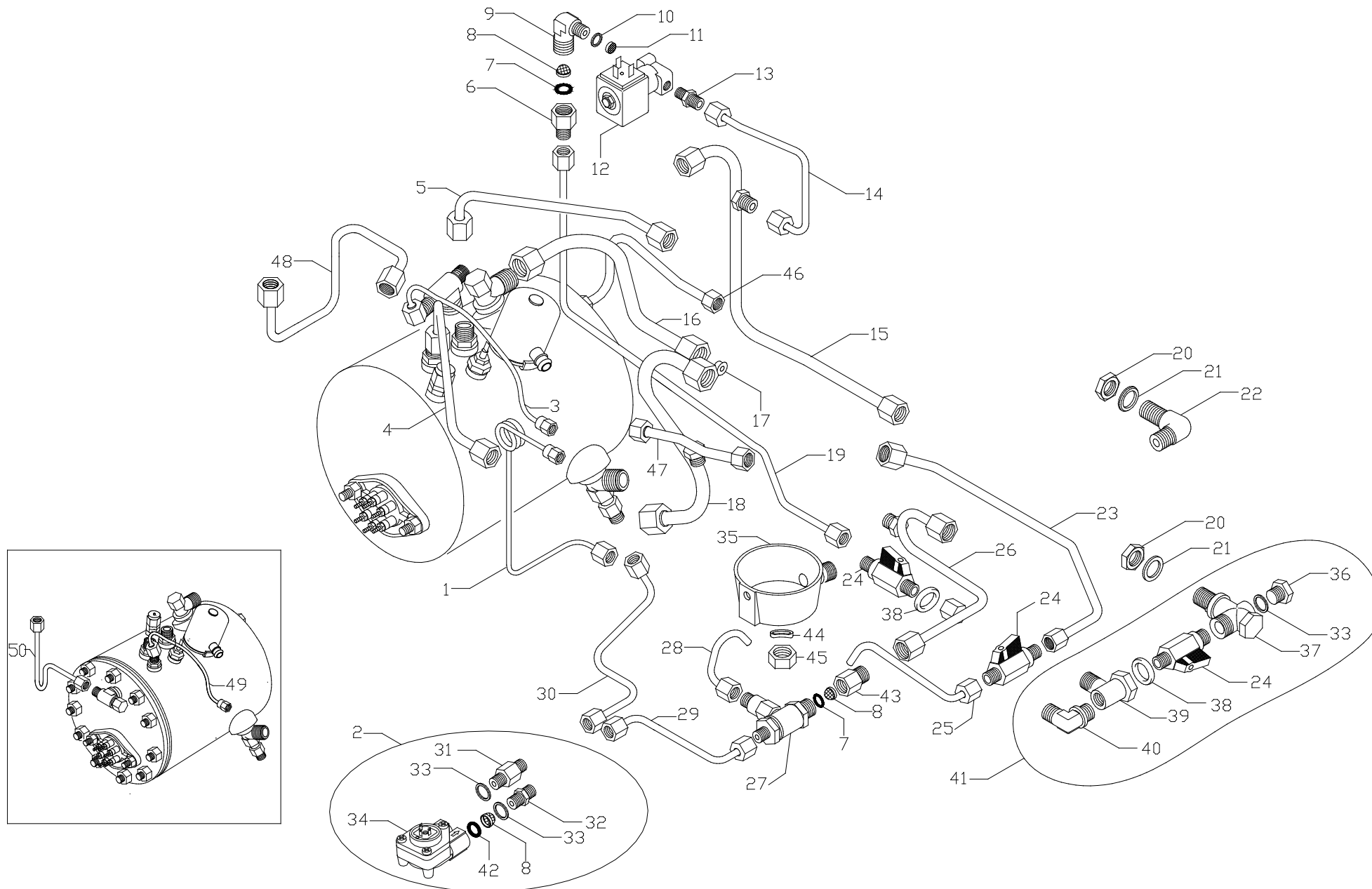


**START**

## Impianto idraulico EVD 1GR-Hydraulic circuit EVD 1GR-Circuit hydraulique EVD 1GR-Wasser anlage EVD 1GR

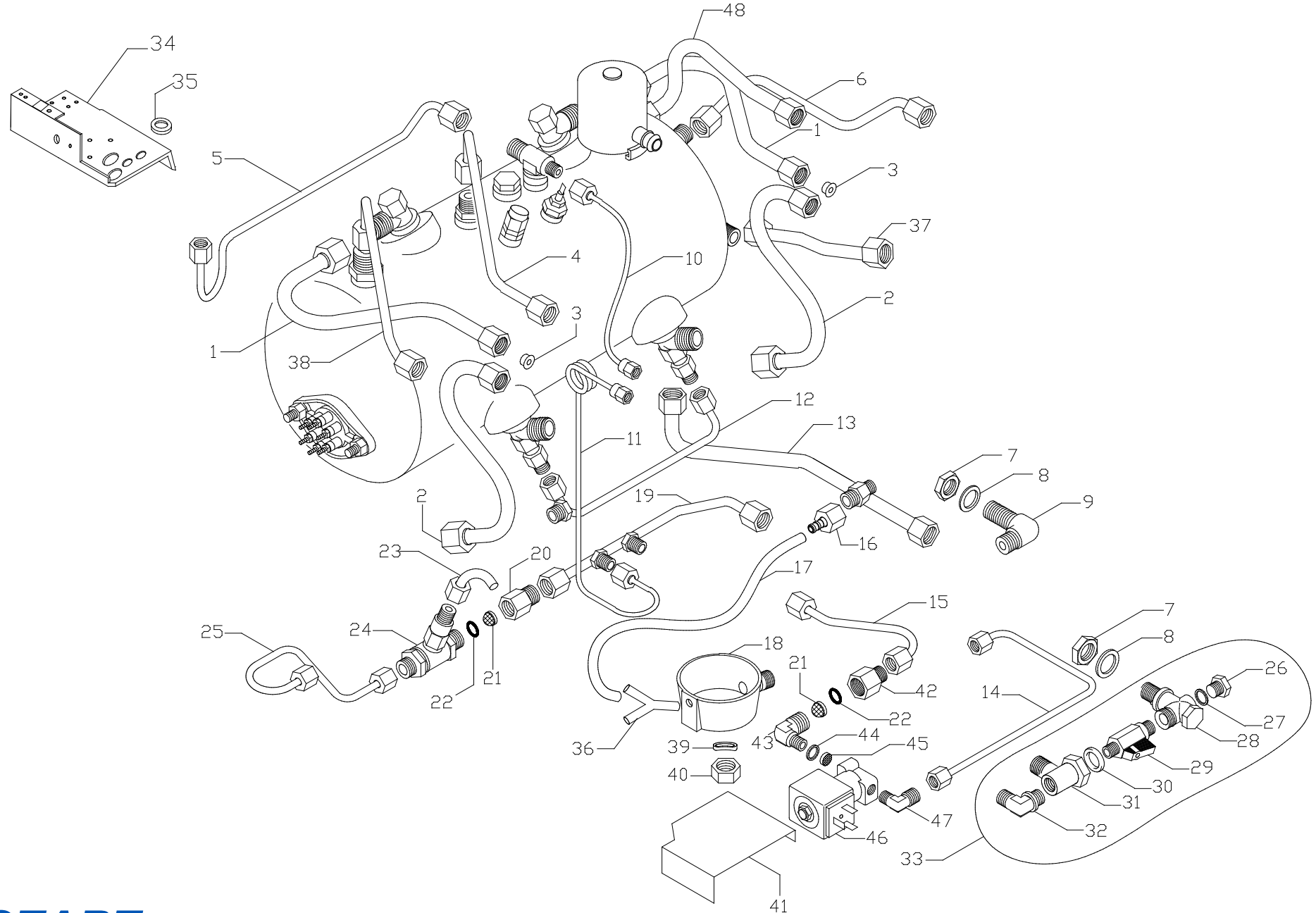
| Pos | Cod.     | Denominazione - IT -                         | Denomination - GB -                 | Denomination - FR -                 | Denomination - DE -                  |
|-----|----------|----------------------------------------------|-------------------------------------|-------------------------------------|--------------------------------------|
| 1   | 52000110 | TBS.D-4 L.730 1-4GR A 44                     | TUBE D-4 L.730 1-4 GR A 44          | TUYAU D-4 L.730 1-4GR A 44          | ROHR D-4 L.730 1-4GR A 44            |
| 2   | 52003410 | TBS.D-6 L.307 ECO/RO 1GR W271 CLD>PRESOSTATO | TUBE D-6 L.307 ECO/RO 1GR W271      | TUYAU D-6 L.307 ECO/RO 1GR W271     | ROHR D-6 L.307 ECO/RO 1GR W271       |
| 3   | 52001437 | TBS.D-4 L.435 1GR CTS AR 60                  | TUBE D-4 L.435                      | TUYAU D-4 L.435                     | ROHR D-4 L.435                       |
| 4   | 52002732 | TUBO D-8 L.265 4GR W 21CALDAIA > RUBINET     | TUBE D-8 L.265 W21                  | TUYAU D-8 L.265 W21                 | ROHR D-8 L.265 W21                   |
| 5   | 52003209 | TUBO D-8 L.340 '99 WO 10 CALDAIA > VAPOR     | TUBE D-8 L.340 W010                 | TUYAU D-8 L.340 W010                | ROHR D-8 L.340 W010                  |
| 6   | 25705    | RACCORDO FILTRO AEA                          | AUT.WATER REFILL FILTER CONNECTOR   | RACCORD FILTRE REM.EAU.AUT.         | FILTERFITTING AUT.WASSERFÜLLUNG      |
| 7   | 12312    | GUARNIZIONE OR FILTRO AEA 10X2               | O RING FOR WATER REFILL FILTER 10X2 | JOINT OR FILTRE AUT.REM.EAU 10X2    | OR DICHTUNG FÜR WASSERFÜLLUNGFILTER  |
| 8   | 10254    | FILTRO ACCIAIO 160-200 MESH                  | STEEL FILTER 160-200 MESH           | FILTRE EN ACIER 160-200 MESH        | STAHLFILTER 160-200 MESH             |
| 9   | 23217    | RACCORDO GOMITO D10 3/8X1/8 CON AEA F 1.     | FITTING D10 3/8X1/8 WITH AWI F 1.2  | RACCORD GOMME D10 3/8X1/8 AEE F 1.2 | FITTING D10 3/8X1/8 MIT A.W.F. 1.2   |
| 10  | 12155    | GUARNIZIONE CU 8.5X5X1                       | COPPER GASKET 8.5X5X1               | JOINT CU 8.5X5X1                    | CU DICHTUNG 8.5X5X1                  |
| 11  | 10251001 | FILTRO IN ACCIAIO D-8 SP.0,3                 | STEEL FILTER D-8 - 0.3 THICK        | FILTRE EN ACIER D-8 EP.0,3          | STAHLFILTER D-8 SP.0,3               |
| 12  | 18162002 | ELETTROVALVOLA PRK 230V AEA VDE              | SOL.VALVE WATER REFILL 230V PRK     | ELECTROVANNE REA 230V PRK           | ELEKTROVENTIL AWZ 230V PRK           |
| 12  | 18160052 | ELETTROVALVOLA SIR 230V AEA                  | SOL.VALVE WATER REFILL 230V SIR     | ELECTROVANNE REA 230V SIR           | ELEKTROVENTIL AWZ 230V SIR           |
| 13  | 25707    | RACCORDO 1/8X1/4                             | CONNECTOR 1/8X1/4                   | RACCORD 1/8X1/4                     | ANSCHLUSS 1/8X1/4                    |
| 14  | 52002822 | TUB.D-6 L.295 1-4GR W 117 ELETTROVALVOLA     | TUBE D-6 L.295 W117                 | TUYAU D-6 L.295 W117                | ROHR D-6 L.295 W117                  |
| 15  | 52002963 | TBS.D-10 L.410 W 227                         | TUBE D-10 L.410 W227                | TUYAU D-10 L.410 W227               | ROHR D-10 L.410 W227                 |
| 16  | 52002961 | TBS.D-10 L.255 W 225                         | TUBE D-10 L.255 W225                | TUYAU D-10 L.255 W225               | ROHR D-10 L.255 W225                 |
| 17  | 23294003 | STROZZATURA RICIRCOLO CTS GR D 4             | CTS UNIT GROUP D4 RECIRC.NECK       | ETRANGLEMENT RECYCLAGE DU GROUPE D4 | ENGSTELLE UMWÜLZUNG GRUPPE D4        |
| 18  | 52002956 | TBS.D-10 L.245 W224                          | TUBE D-10 L.245 W224                | TUYAU D-10 L.245 W224               | ROHR D-10 L.245 W224                 |
| 19  | 52003303 | TUBO D-6 L.600 CW 4                          | TUBE D-6 L.600 CW 4                 | TUYAU D-6 L.600 CW 4                | ROHR D-6 L.600 CW 4                  |
| 20  | 25356    | CONTRODADO OTTONE 3/8                        | BRASS LOCK NUT 3/8                  | CONTRE-ECROU LAITON 3/8             | MESSING-GEGENMUTTER 3/8              |
| 21  | 25651    | RONDELLA OTTONE 3/8                          | BRASS WASHER 3/8                    | RONDELLE LAITON 3/8                 | MESSINGSCHÜBE 3/8                    |
| 22  | 43067    | RACCORDO "L" 3/8 GASX3/8 GAS L.30            | 3/8 GAS X 3/8 GAS L FITTING L.30    | RACCORD L 3/8 GAZX3/8 GAZ L.30      | ANSCHLUSS L 3/8 GAS X 3/8 GAS L. 30  |
| 23  | 52002915 | TBS.D-8 L.455 W 180 SCARICO CA               | TUBE D-8 L.455 W180                 | TUYAU D-8 L.455 W180                | ROHR D-8 L.455 W180                  |
| 24  | 20354    | VALVOLA CHIUSURA AEA                         | PRESSURE RELEASE TAP BULK UNIT      | CLAPET FERMETURE AUT.ARRIVEE EAU    | ABSPERRVENTIL X AUT.WASSERZUFUHR     |
| 25  | 52001351 | TUB.D-6 L.170 2GR SAE LD 42                  | TUBE D-6 L.170 2GR SAE LD 42        | TUYAU D-6 L.170 2GR SAE LD 42       | ROHR D-6 L.170 2GR SAE LD 42         |
| 26  | 52003319 | TBS.D-8 L.245 COMPATTA CW 3/A                | TUBE D-8 L.245 COMPATTA PUMP-VALVE  | TUYAU D-8 L.245                     | ROHR D-8 L.245                       |
| 27  | 20361    | VALVOLA S.C.N.R. REGOLABILE                  | ADJUSTABLE S.C.N.R. VALVE           | SOUPAPE S.C.N.R. REGLABLE           | EINSTELLBARES VENTIL S.N.C.R.        |
| 28  | 52003004 | TBS.D-6 L.390 SP 5 SCNR > INIETTORE          | TUBE D-6 L.390 SP5                  | TUYAU D-6 L.390 SP5                 | ROHR D-6 L.390 SP5                   |
| 29  | 52001350 | TUB.D-6 L.105 2GR SAE LD 41                  | D-6 105 L PIPE 2GR SAE LD 41        | TUYAU D-6 L.105 2GR SAE LD 41       | ROHR D-6 L.105 2GR SAE LD 41         |
| 30  | 15502    | VASCHETTA SCARICO ROTONDA D 80               | ROUND DRAIN BASIN D.80MM            | CUVE A VIDANGER RONDE D.80MM        | RUNDE ABFLUSSCHALE D.80MM            |
| 31  | 25780    | TAPPO MASCHIO OTTONE 1/4                     | BRASS MALE CAP 1/4                  | BOUCHON MALE LAITON 1/4             | MESSING-STOPFEN 1/4                  |
| 32  | 12153    | GUARNIZIONE CU 1/4 17X13.3X1.5               | 1/4 17X13.3X1.5 COPPER SEAL         | JOINT CUIVRE 1/4 17X13.3X1.5        | KUPFERDICHTUNG 1/4 17X13.3X1.5       |
| 33  | 53001001 | CORPO LIVELLO INFERIORE                      | LOWER LEVEL CONNECTOR               | CORPS DE NIVEAU INFÉRIEUR           | UNTERNIVEAUKORPER                    |
| 34  | 12100    | GUARNIZIONE CU/ALIM 1/4 18.7X13.2X2.5        | CU GASKET 1/4 18.7X13.2X2.5         | JOINT CU 1/4 18.7X13.2X2.5          | CU DICHTUNG 1/4 18.7X13.2X2.5        |
| 35  | 43030001 | RACC.INIETTORE ITALIA 3/8Fx3/8Mx14F          | INJECTOR FITTING 3/8Fx3/8Mx14F      | RACCORD INJECTEUR 3/8Fx3/8Mx14F     | ANSCHLUSS EINSPIRITZER 3/8Fx3/8Mx14F |
| 36  | 43052    | RACCORDO "L" 3/8                             | CONNECTOR 'L' 3/8                   | RACCORD 'L' 3/8                     | ANSCHLUSS 'L' 3/8                    |
| 37  | 56134001 | ASSIEME BLOCCETTO POMPA                      | UNIT PUMP                           | ENSEMBLE POMPE                      | PUMPENSATZ                           |
| 38  | 23267    | RONDELLA ELAST.ONDUL.D10 DIN137              | ELASTIC WASHER D10 DIN137           | RONDELLE ELASTIQUE D10 DIN137       | ELASTISCHE SCHEIBE D10 DIN137        |
| 39  | 23052    | DADO OTTONE M10 UNI 5587                     | TOP BRASS NUT M10 UNI 5587          | ECROU LAITON SUPERIEUR M10 UNI 5587 | UNTER MESSING MUTTER M10 UNI 5587    |
| 40  | 52002964 | TBS.D-6 L.230 W228                           | TUBE D-6 L.230 W 228                | TUYAU D-6 L.230 W 228               | ROHR D-6 L.230 W 228                 |
| 41  | 52001433 | TBS.D-4 L.310 2-3GR CTS AR 56                | TUBE D-4 L.310 2-3GR CTS AR 56      | TUYAU D-4 L.310 2-3GR CTS AR 56     | ROHR D-4 L.310 2-3GR CTS AR 56       |
| 42  | 52002698 | TBS.D-10 L.300 W 1/B CALDAIA>LIV.SUP.        | TUBE D-10 L.300 W 1/B               | TUYAU D-10 L.300 W 1/B              | ROHR D-10 L.300 W 1/B                |
| 43  | 52002962 | TBS.D-10 L.160 ECO-RO 1GR W226               | TUBE D-10 L.160 ECO-RO 1G W226      | TUYAU D-10 L.160 ECO-RO 1G W226     | ROHR D-10 L.160 ECO-RO 1G W226       |
| 44  | 25732100 | RACC.3/8Mx3/8F + SEDE FILTRO                 | FITING 3/8Mx3/8F                    | RACCORD 3/8Mx3/8F                   | ANSCHLUSS 3/8Mx3/8F                  |

Impianto idraulico EVD 1GR-Hydraulic circuit EVD 1GR-Circuit hydraulique EVD 1GR-Wasser anlage EVD 1GR

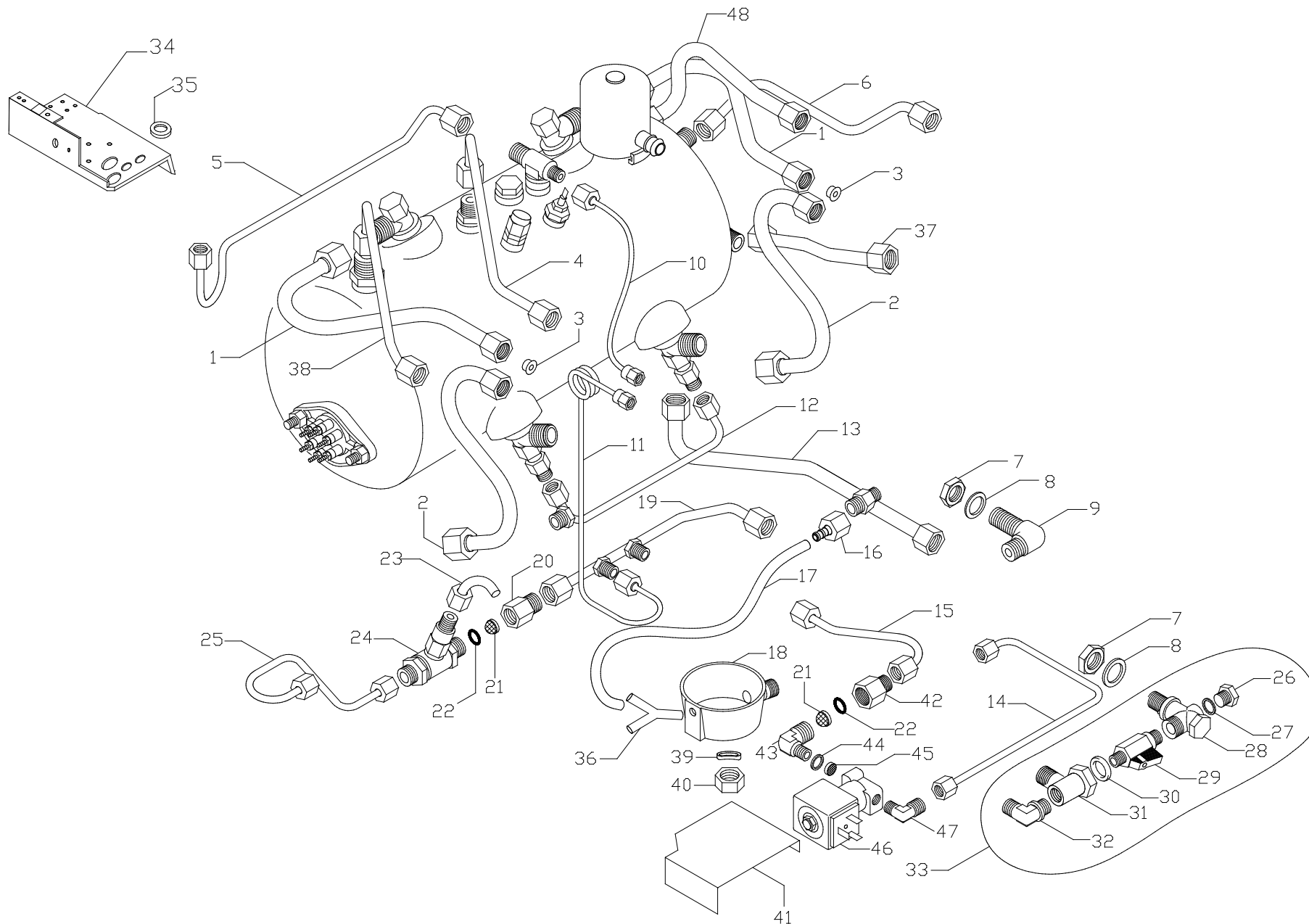


**START**

| Pos | Cod.     | Denominazione - IT -                         | Denomination - GB -            | Denomination - FR -              | Denomination - DE -             |
|-----|----------|----------------------------------------------|--------------------------------|----------------------------------|---------------------------------|
| 45  | 52002698 | TBS.D-10 L.300 W 1/B                         | TUBE D-10 L.300 W 1/B          | TUYAU D-10 L.300 W 1/B           | ROHR D-10 L.300 W 1/B           |
| 46  | 52002962 | TBS.D-10 L.160 ECO-RO 1G W226                | TUBE D-10 L.160 ECO-RO 1G W226 | TUYAU D-10 L.160 ECO-RO 1G W226  | ROHR D-10 L.160 ECO-RO 1G W226  |
| 47  | 52003410 | TBS.D-6 L.307 ECO/RO 1GR W271 CLD>PRESOSTATO | TUBE D-6 L.307 ECO/RO 1GR W271 | TUYAU D-6 L.307 ECO/RO W271      | ROHR D-6 L.307 ECO/RO 1GR W271  |
| 48  | 52001433 | TUBO D-4 L.310 2-3GR CTS AR 56               | TUBE D-4 L.310 2-3GR CTS AR 56 | TUYAU D-4 L.310 2-3 GR CTS AR 56 | ROHR D-4 L.310 2-3 GR CTS AR 56 |
| 49  | 52002964 | TUBO D-6 L.230 W228                          | TUBE D-6 L.230 W228            | TUYAU D-6 L.230 W228             | ROHR D-6 L.230 W228             |



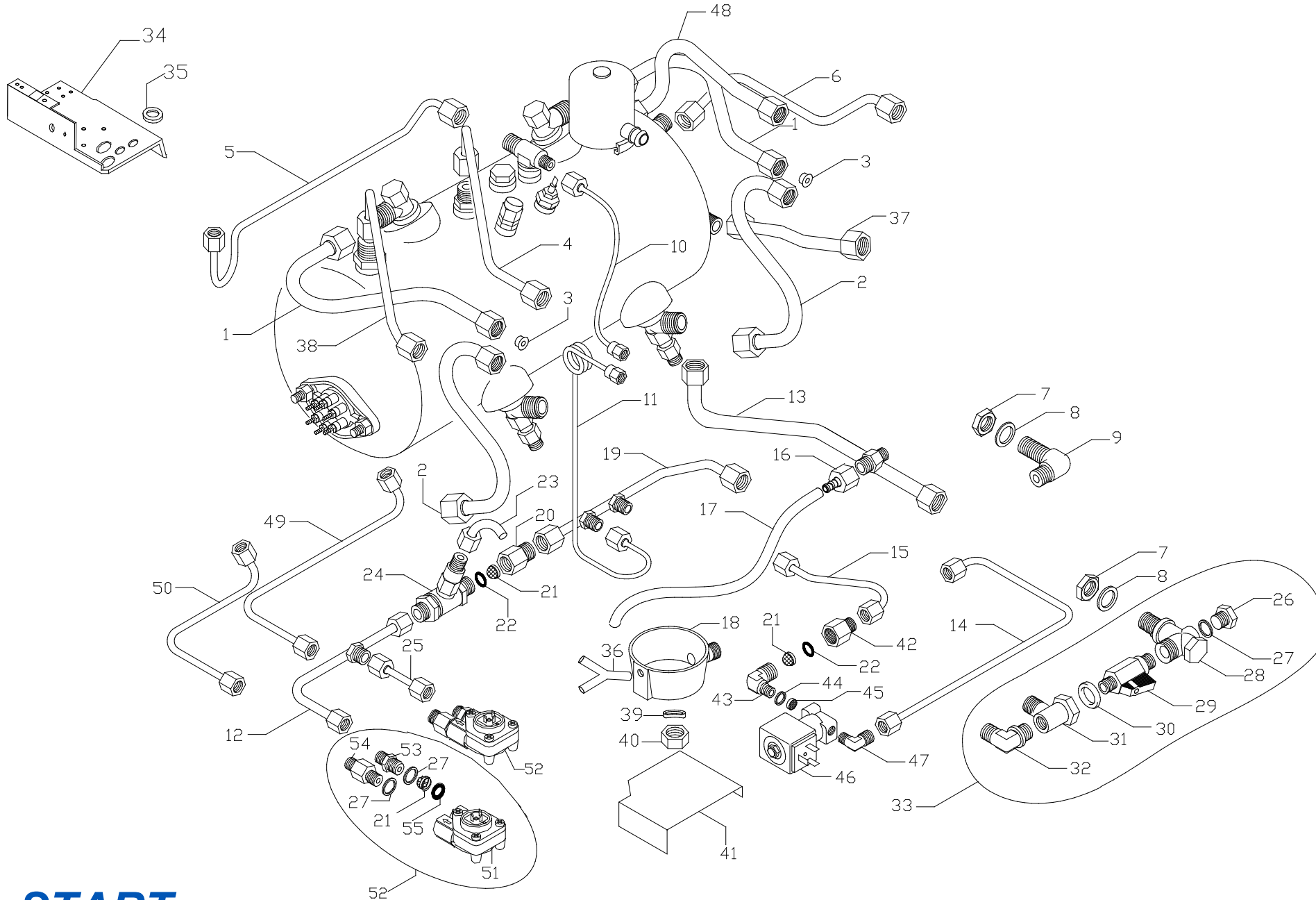
| Pos | Cod.     | Denominazione - IT -                     | Denomination - GB -                 | Denomination - FR -              | Denomination - DE -                  |
|-----|----------|------------------------------------------|-------------------------------------|----------------------------------|--------------------------------------|
| 1   | 52001202 | TUB.D-10 L.250 2-4GR N 3 CALDAIA > GRUPP | TUBE D-10 L.250                     | TUYAU D-10 L.250                 | ROHR D-10 L.250                      |
| 2   | 52002956 | TBS.D-10 L.245 W224                      | TUBE D-10 L.245 W224                | TUYAU D-10 L.245 W224            | ROHR D-10 L.245 W224                 |
| 3   | 23294003 | STROZZATURA RICIRCOLO GR CTS D 4         | CTS UNIT D 4 RECIRC. NECK           | ETRANGLEMENT RECYCLAGE GR.D.4    | ENGSTELLE UMWÄLZUNG D. 4             |
| 4   | 52002842 | TUBO D-8 L.300 W 155CALDAIA > RUBINETTO  | TUBE D-8 L.300 W155                 | TUYAU D-8 L.300 W155             | ROHR D-8 L.300 W155                  |
| 5   | 52002955 | TBS.D-6 L.410 WE.RO. W 223 CLD > PRESS.  | TUBE D-6 L.410 W223                 | TUYAU D-6 L.410 W223             | ROHR D-6 L.410 W223                  |
| 6   | 52002954 | TBS.D-8 L.290 WE.RO. W 222 CLD > VAP.DX  | TUBE D-8 L.290 W222                 | TUYAU D-8 L.290 W222             | ROHR D-8 L.290 W222                  |
| 7   | 25356    | CONTRODADO OTTONE 3/8                    | BRASS LOCK NUT 3/8                  | CONTRE-ECROU LAITON 3/8          | MESSING-GEGENMUTTER 3/8              |
| 8   | 25651    | RONDELLA OTTONE 3/8                      | BRASS WASHER 3/8                    | RONDELLE LAITON 3/8              | MESSINGSCHLEIBE 3/8                  |
| 9   | 43067    | RACCORDO "L" 3/8 GASX3/8 GAS L.30        | 3/8 GAS X 3/8 GAS L FITTING L.30    | RACCORD L 3/8 GAZX3/8 GAZ L.30   | ANSCHLUSS L 3/8 GAS X 3/8 GAS L. 30  |
| 10  | 52001433 | TBS.D-4 L.310 2-3GR CTS AR 56 CALDAIA >  | TUBE D-4 L.310                      | TUYAU D-4 L.310                  | ROHR D-4 L.310                       |
| 11  | 52000110 | TBS.D-4 L.730 1-4GR A 44                 | TUBE D-4 L.730 1-4 GR A 44          | TUYAU D-4 L.730 1-4GR A 44       | ROHR D-4 L.730 1-4GR A 44            |
| 12  | 52003014 | TBS.D-6 L.245 2>4GR SP 15 INIETTORE DX > | TUBE D-6 L.245 SP 15                | TUYAU D-6 L.245 SP 15            | ROHR D-6 L.245 SP15                  |
| 13  | 52003212 | TBS.D-10 L.320 ECO WO 13 POMPA > CALDAIA | TUBE D-10 L.320 WO 13               | TUYAU D-10 L.320 WO 13           | ROHR D-10 L.320 W013                 |
| 14  | 52003214 | TUB.D-6 L.345 ECO-ORION WO 15            | TUBE D-6 L.345 WO 15                | TUYAU D-6 L.345 WO 15            | ROHR D-6 L.345 WO 15                 |
| 15  | 52003202 | TBS.D-6 L.130 ORION '99 WO 3B            | TUBE D-6 L.130 WO 3B                | TUYAU D-6 L.130 WO 3B            | ROHR D-6 L.130 WO 3B                 |
| 16  | 257396   | RACCORDO SCARICO CALDAIA ASSIEMATO       | FITTING                             | RACCORD                          | ANSCHLUSS                            |
| 17  | 15477013 | TUBO SILIC.PLATINICO 6x9                 | SILICONE PIPE 6x9                   | TUYAU SILICONE 6x9               | SILIKONSCHLAUCH 6x9                  |
| 18  | 15502    | VASCHETTA SCARICO ROTONDA D 80           | ROUND DRAIN BASIN D.80MM            | CUVE A VIDANGER RONDE D.80MM     | RUNDE ABFLUSSCHALE D.80MM            |
| 19  | 52003224 | TBS.D-8 L.260 WO 18/A POMPA > SCNR       | TUBE D-8 L.260 W018                 | TUYAU D-8 L.260 W018             | ROHR D-8 L.260 W018                  |
| 20  | 25732100 | RACCORDO 3/8MX3/8F + SEDE FILTRO         | FITTING 3/8MX3/8F                   | RACCORD 3/8MX3/8F                | ANSCHLUSS 3/8MX3/8F                  |
| 21  | 10254    | FILTRO ACCIAIO 160-200 MESH              | STEEL FILTER 160-200 MESH           | FILTRE EN ACIER 160-200 MESH     | STAHLFILTER 160-200 MESH             |
| 22  | 12312    | GUARNIZIONE OR FILTRO AEA 10X2           | O RING FOR WATER REFILL FILTER 10X2 | JOINT OR FILTRE AUT.REM.EAU 10X2 | OR DICHTUNG FUR WASSERFULLUNGFILTER  |
| 23  | 52002898 | TUBO D-6 L.50 3 W169                     | D-6 50 L3 PIPE W169                 | TUYAU D-6 L.50 3 W1              | ROHR D. 6 L.50 3 W1                  |
| 24  | 20361    | VALVOLA S.C.N.R. REGOLABILE              | ADJUSTABLE S.C.N.R. VALVE           | SOUPAPE S.C.N.R. REGLABLE        | EINSTELLBARES VENTIL S.N.C.R.        |
| 25  | 52003203 | TUBO D-6 L.250 '99 WO 4 SCNR > TUB. SP 1 | TUBE D-6 L.250 W04                  | TUYAU D-6 L.250 W04              | ROHR D-6 L.250 W04                   |
| 26  | 25780    | TAPPO MASCHIO OTTONE 1/4                 | BRASS MALE CAP 1/4                  | BOUCHON MALE LAITON 1/4          | MESSING-STOPFEN 1/4                  |
| 27  | 12153    | GUARNIZIONE CU 1/4 17X13.3X1.5           | 1/4 17X13.3X1.5 COPPER SEAL         | JOINT CUIVRE 1/4 17X13.3X1.5     | KUPFERDICHTUNG 1/4 17X13.3X1.5       |
| 28  | 53001001 | CORPO LIVELLO INFERIORE                  | LOWER LEVEL CONNECTOR               | CORPS DE NIVEAU INFERIEUR        | UNTERNIVEAUKORPER                    |
| 29  | 20354    | VALVOLA CHIUSURA AEA                     | PRESSURE RELEASE TAP BULK UNIT      | CLAPET FERMETURE AUT.ARRIVEE EAU | ABSPERRVENTIL X AUT.WASSERZUFUHR     |
| 30  | 12100    | GUARNIZIONE CU/ALIM 1/4 18.7X13.2X2.5    | CU GASKET 1/4 18.7X13.2X2.5         | JOINT CU 1/4 18.7X13.2X2.5       | CU DICHTUNG 1/4 18.7X13.2X2.5        |
| 31  | 43030001 | RACC.INIETTORE ITALIA 3/8Fx3/8Mx14F      | INJECTOR FITTING 3/8Fx3/8Mx14F      | RACCORD INJECTEUR 3/8Fx3/8Mx14F  | ANSCHLUSS EINSPRITZTER 3/8Fx3/8Mx14F |
| 32  | 43052    | RACCORDO "L" 3/8                         | CONNECTOR 'L' 3/8                   | RACCORD 'L' 3/8                  | ANSCHLUSS 'L' 3/8                    |
| 33  | 56134001 | ASSIEME BLOCCHETTO POMPA                 | UNIT PUMP                           | ENSEMBLE POMPE                   | PUMPENSATZ                           |
| 34  | 78138    | SUPP.MORSET.FERMAC.2/3 GR TEL            | SUPPORT 2/3 GR                      | SUPPORT 2/3 GR                   | HALTER 2/3 GR                        |
| 35  | 15350    | PASSACAVO DK16 22x27x3                   | FAIRLEAD DK16 22x27x3               | CHAUMARD DK16 22x27x3            | KABELDURCHGANG DK16 22x27x3          |
| 36  | 15422010 | RACC. "Y" POLIPROPILENE D-10             | "Y" POLIPROPILENE D-10 FITING       | RACCORD "Y" POLIPROPILENE        | ANSCHLUSS "Y" POLIPROPILENE          |
| 37  | 52002958 | TBS. D-10 L.160 W 1/E                    | TUBE D-10 L.160 W 1/E               | TUYAU D-10 L.160 W 1/E           | ROHR D-10 L.160 W 1/E                |
| 38  | 52002841 | TBS. D-8 L.290 W154 CALDAIA>             | TUBE D-8 L.290 W154                 | TUYAU D-8 L.290 W154             | ROHR D-8 L.290 W154                  |



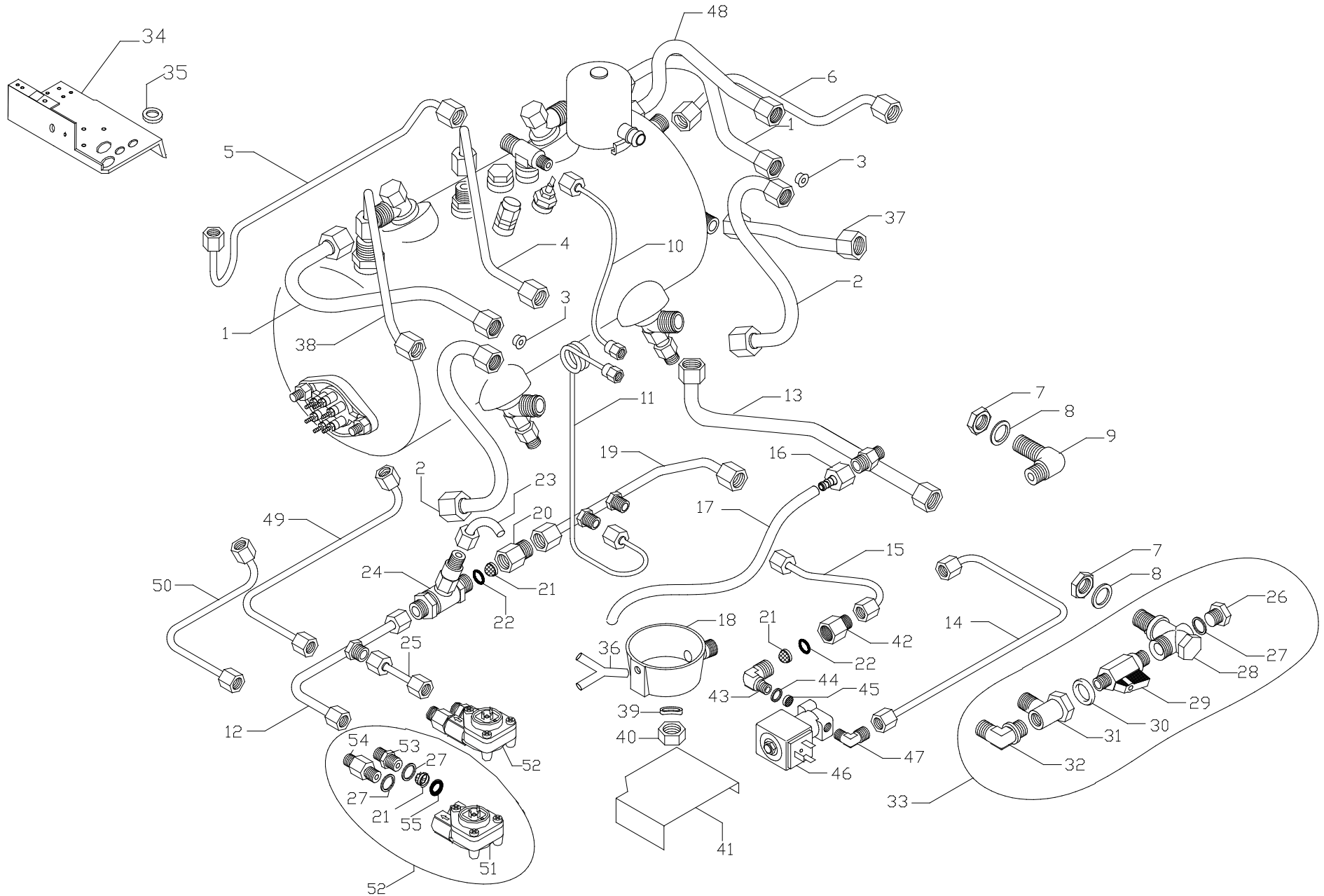


| Pos | Cod.     | Denominazione - IT -                  | Denomination - GB -                    | Denomination - FR -                      | Denomination - DE -                   |
|-----|----------|---------------------------------------|----------------------------------------|------------------------------------------|---------------------------------------|
| 39  | 23267    | RONDELLA ELAST.ONDUL. D.10 DIN13      | ELASTIC WASHER D10 DIN137              | RONDELLE ELASTIQUE D10 DIN137            | ELASTISCHE SCHEIBE D10 DIN137         |
| 40  | 23052    | DADO OTTONE M10 UNI 5587              | TOP BRASS NUT M10 UNI 5587             | ECROU LAITON SUPERIEUR M10 UNI 5587      | UNTER/MESSING MUTTER M10 UNI 5587     |
| 41  | 77604    | COPRIELETTRORVALVOLA AEA WO/WN        | AEA SOLENOID VALVE COVER               | COUVRE-ELECTROVANNE AEA                  | ABDECKUNG ELEKTROVENTIL AEA           |
| 42  | 25705    | RACC.FILTRO AEA                       | AUT.WATER REFILL FILTER CONNECTOR      | RACCORD FILTRE REM. EAU AUT.             | FILTERFITTING AUT.WASSERFULLUNGFILTER |
| 43  | 23217    | RACC.GOM.D10 3/8x1/8 CON AEA F 1.2    | FITING D10 3/8x1/8 WITH AWI F 1.2      | RACCORD GOMME D10 3/8x1/8 WITH AEE F 1.2 | ANSCHLUSS D10 3/8x1/8 MIT A.W.F. 1.2  |
| 44  | 12155    | GU CU 8.5x5x1                         | COPPER GASKET 8.5x5x1                  | JOINT CU 8.5x5x1                         | CU DICHTUNG 8.5x5x1                   |
| 45  | 10251001 | FILTRO IN ACCIAIO D-8 SP. 0,3         | STEEL FILTER D-8 0,3 THICK             | FILTRE EN ACIER D-8 EP. 0,3              | STAHLFILTER D-8 SP. 0,3               |
| 46  | 18162002 | ELETTRORVALVOLA AEA PRK.230 VDE       | SOLENOID VALVE AEA 230 PARKER          | ELECTROVANNE AEA 230V PARKER             | ELEKTROVENTIL AWZ 230V PARKER         |
| 46  | 18160052 | ELETTRORVALVOLA AEA SIR.230 50 HZ     | SOLENOID VALVE AEA 230 SIRAI           | ELECTROVANNE AEA 230V SIRAI              | ELEKTROVENTIL AWZ 230V SIRAI          |
| 47  | 23201    | RACC. OTT GOM.D6.2 1/4x1/8 AEA        | ELBOW BRASS CONNECTOR D6.2 1/4x1/8 AEA | RACCORD COUDE LAITON D6.2 1/4x1/8        | MESSING-ANSCHLUSS D 6.2 1/4x1/8       |
| 48  | 52002698 | TBS.D-10 L.300 W 1/B CALDAIA>LIV.SUP. | TUBE D-10 L.300 W 1/B                  | TUYAU D-10 L.300 W 1/B                   | ROHR D-10 L.300 W 1/B                 |

Impianto idraulico EVD 2GR-Hydraulic circuit EVD 2GR-Circuit hydraulique EVD 2GR-Wasser anlage EVD 2GR

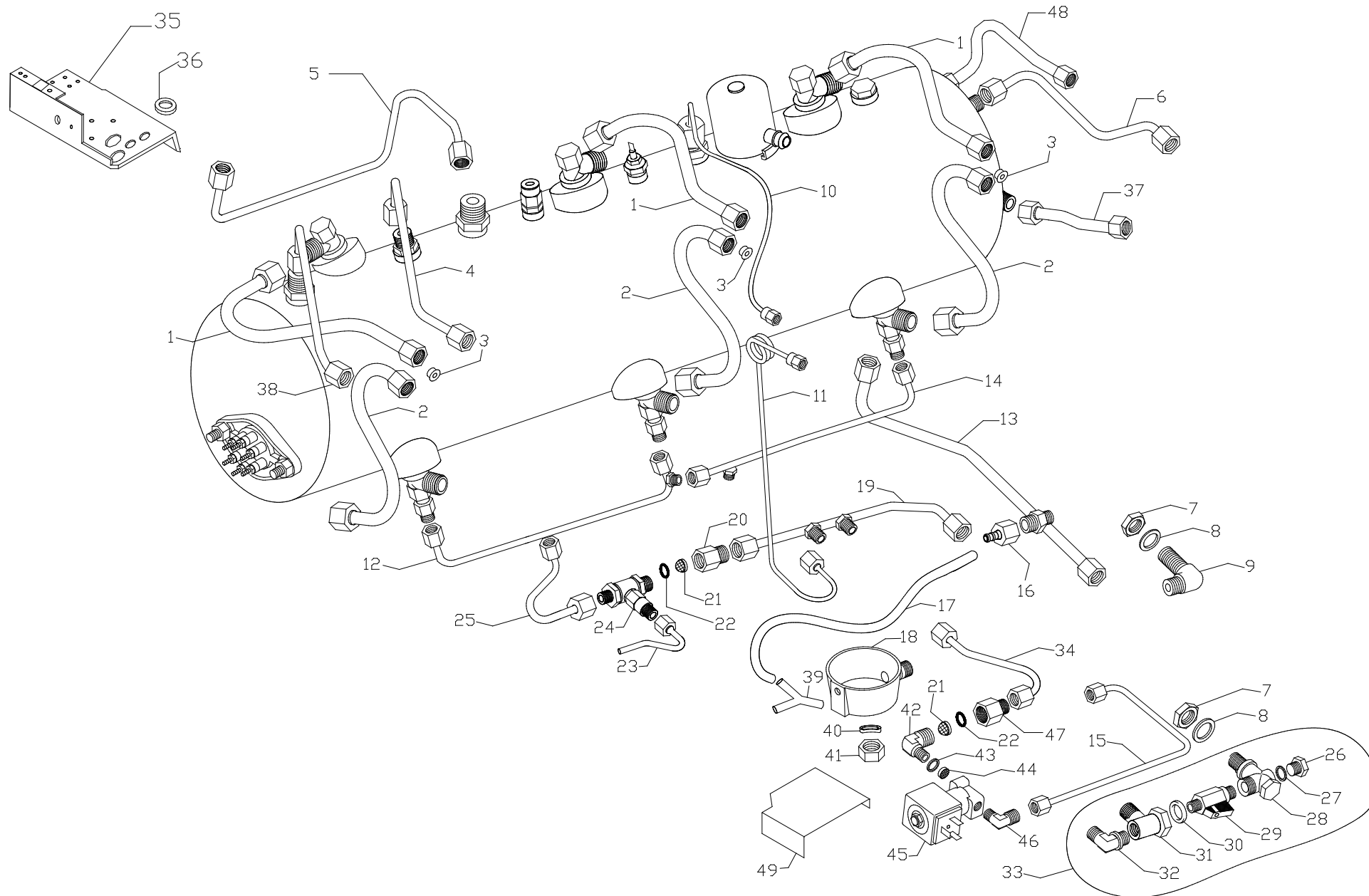


| Pos | Cod.     | Denominazione - IT -                     | Denomination - GB -                 | Denomination - FR -              | Denomination - DE -                  |
|-----|----------|------------------------------------------|-------------------------------------|----------------------------------|--------------------------------------|
| 1   | 52001202 | TUB.D-10 L.250 2-4GR N 3 CALDAIA > GRUPP | TUBE D-10 L.250                     | TUYAU D-10 L.250                 | ROHR D-10 L.250                      |
| 2   | 52002956 | TBS.D-10 L.245 W224                      | TUBE D-10 L.245 W224                | TUYAU D-10 L.245 W224            | ROHR D-10 L.245 W224                 |
| 3   | 23294003 | STROZZATURA RICIRCOLO GR CTS D 4         | CTS UNIT D 4 RECIRC. NECK           | ETRANGLEMENT RECYCLAGE GR.D.4    | ENGSTELLE UMWÄLZUNG D. 4             |
| 4   | 52002842 | TUBO D-8 L.300 W 155CALDAIA > RUBINETTO  | TUBE D-8 L.300 W155                 | TUYAU D-8 L.300 W155             | ROHR D-8 L.300 W155                  |
| 5   | 52002955 | TBS.D-6 L.410 WE.RO. W 223 CLD > PRESS.  | TUBE D-6 L.410 W223                 | TUYAU D-6 L.410 W223             | ROHR D-6 L.410 W223                  |
| 6   | 52002954 | TBS.D-8 L.290 WE.RO. W 222 CLD > VAP.DX  | TUBE D-8 L.290 W222                 | TUYAU D-8 L.290 W222             | ROHR D-8 L.290 W222                  |
| 7   | 25356    | CONTRODADO OTTONE 3/8                    | BRASS LOCK NUT 3/8                  | CONTRE-ECROU LAITON 3/8          | MESSING-GEGENMUTTER 3/8              |
| 8   | 25651    | RONDELLA OTTONE 3/8                      | BRASS WASHER 3/8                    | RONDELLE LAITON 3/8              | MESSINGSCHLEIBE 3/8                  |
| 9   | 43067    | RACCORDO "L" 3/8 GASX3/8 GAS L.30        | 3/8 GAS X 3/8 GAS L FITTING L.30    | RACCORD L 3/8 GAZX3/8 GAZ L.30   | ANSCHLUSS L 3/8 GAS X 3/8 GAS L. 30  |
| 10  | 52001433 | TBS.D-4 L.310 2-3GR CTS AR 56 CALDAIA >  | TUBE D-4 L.310                      | TUYAU D-4 L.310                  | ROHR D-4 L.310                       |
| 11  | 52000110 | TBS.D-4 L.730 1-4GR A 44                 | TUBE D-4 L.730 1-4 GR A 44          | TUYAU D-4 L.730 1-4GR A 44       | ROHR D-4 L.730 1-4GR A 44            |
| 12  | 52000320 | TBS.D-8 L.215 DV2/A SCNR>DOS             | TUBE D-8 L.215                      | TUYAU D-8 L.215                  | ROHR D-8 L.215                       |
| 13  | 52003212 | TBS.D-10 L.320 ECO WO 13 POMPA > CALDAIA | TUBE D-10 L.320 WO 13               | TUYAU D-10 L.320 WO 13           | ROHR D-10 L.320 WO13                 |
| 14  | 52003214 | TUB.D-6 L.345 ECO-ORION WO 15            | TUBE D-6 L.345 WO 15                | TUYAU D-6 L.345 WO 15            | ROHR D-6 L.345 WO 15                 |
| 15  | 52003202 | TBS.D-6 L.130 ORION '99 WO 3B            | TUBE D-6 L.130 WO 3B                | TUYAU D-6 L.130 WO 3B            | ROHR D-6 L.130 WO 3B                 |
| 16  | 257396   | RACCORDO SCARICO CALDAIA ASSIEMATO       | FITTING                             | RACCORD                          | ANSCHLUSS                            |
| 17  | 15477013 | TUBO SILIC.PLATINICO 6x9                 | SILICONE PIPE 6x9                   | TUYAU SILICONE 6x9               | SILIKONSCHLAUCH 6x9                  |
| 18  | 15502    | VASCETTA SCARICO ROTONDA D 80            | ROUND DRAIN BASIN D.80MM            | CUVE A VIDANGER RONDE D.80MM     | RUNDE ABFLUSSCHALE D.80MM            |
| 19  | 52003224 | TBS.D-8 L.260 WO 18/A POMPA > SCNR       | TUBE D-8 L.260 WO18                 | TUYAU D-8 L.260 WO18             | ROHR D-8 L.260 WO18                  |
| 20  | 25732100 | RACCORDO 3/8MX3/8F + SEDE FILTRO         | FITTING 3/8MX3/8F                   | RACCORD 3/8MX3/8F                | ANSCHLUSS 3/8MX3/8F                  |
| 21  | 10254    | FILTRO ACCIAIO 160-200 MESH              | STEEL FILTER 160-200 MESH           | FILTRE EN ACIER 160-200 MESH     | STAHLFILTER 160-200 MESH             |
| 22  | 12312    | GUARNIZIONE OR FILTRO AEA 10X2           | O RING FOR WATER REFILL FILTER 10X2 | JOINT OR FILTRE AUT.REM.EAU 10X2 | OR DICHTUNG FUR WASSERFULLUNGFILTER  |
| 23  | 52002898 | TUBO D-6 L.50 3 W169                     | D-6 50 L3 PIPE W169                 | TUYAU D-6 L.50 3 W1              | ROHR D. 6 L.50 3 W1                  |
| 24  | 20361    | VALVOLA S.C.N.R. REGOLABILE              | ADJUSTABLE S.C.N.R. VALVE           | SOUPAPE S.C.N.R. REGLABLE        | EINSTELLBARES VENTIL S.N.C.R.        |
| 25  | 52000202 | TUBO D-6 L.65 DV3 TBS.DV2>DOS            | TUBE D-6 L.65                       | TUYAU D-6 L.65                   | ROHR D-6 L.65                        |
| 26  | 25780    | TAPPO MASCHIO OTTONE 1/4                 | BRASS MALE CAP 1/4                  | BOUCHON MALE LAITON 1/4          | MESSING-STOPFEN 1/4                  |
| 27  | 12153    | GUARNIZIONE CU 1/4 17X13.3X1.5           | 1/4 17X13.3X1.5 COPPER SEAL         | JOINT CUIVRE 1/4 17X13.3X1.5     | KUPFERDICHTUNG 1/4 17X13.3X1.5       |
| 28  | 53001001 | CORPO LIVELLO INFERIORE                  | LOWER LEVEL CONNECTOR               | CORPS DE NIVEAU INFERIEUR        | UNTERNIVEAUKORPER                    |
| 29  | 20354    | VALVOLA CHIUSURA AEA                     | PRESSURE RELEASE TAP BULK UNIT      | CLAPET FERMETURE AUT.ARRIVEE EAU | ABSPERRVENTIL X AUT.WASSERZUFUHR     |
| 30  | 12100    | GUARNIZIONE CU/ALIM 1/4 18.7X13.2X2.5    | CU GASKET 1/4 18.7X13.2X2.5         | JOINT CU 1/4 18.7X13.2X2.5       | CU DICHTUNG 1/4 18.7X13.2X2.5        |
| 31  | 43030001 | RACC.INIETTORE ITALIA 3/8Fx3/8Mx14F      | INJECTOR FITTING 3/8Fx3/8Mx14F      | RACCORD INJECTEUR 3/8Fx3/8Mx14F  | ANSCHLUSS EINSPIRITZER 3/8Fx3/8Mx14F |
| 32  | 43052    | RACCORDO "L" 3/8                         | CONNECTOR 'L' 3/8                   | RACCORD 'L' 3/8                  | ANSCHLUSS 'L' 3/8                    |
| 33  | 56134001 | ASSIEME BLOCCETTO POMPA                  | UNIT PUMP                           | ENSEMBLE POMPE                   | PUMPENSATZ                           |
| 34  | 78138    | SUPP.MORSET.FERMAC.2/3 GR TEL            | SUPPORT 2/3 GR                      | SUPPORT 2/3 GR                   | HALTER 2/3 GR                        |
| 35  | 15350    | PASSACAVO DK16 22x27x3                   | FAIRLEAD DK16 22x27x3               | CHAUMARD DK16 22x27x3            | KABELDURCHGANG DK16 22x27x3          |
| 36  | 15422010 | RACC. "Y" POLIPROPILENE D-10             | "Y" POLIPROPILENE D-10 FITING       | RACCORD "Y" POLIPROPILENE        | ANSCHLUSS "Y" POLIPROPILENE          |
| 37  | 52002958 | TBS. D-10 L.160 W 1/E                    | TUBE D-10 L.160 W 1/E               | TUYAU D-10 L.160 W 1/E           | ROHR D-10 L.160 W 1/E                |
| 38  | 52002841 | TBS. D-8 L.290 W154 CALDAIA>             | TUBE D-8 L.290 W154                 | TUYAU D-8 L.290 W154             | ROHR D-8 L.290 W154                  |



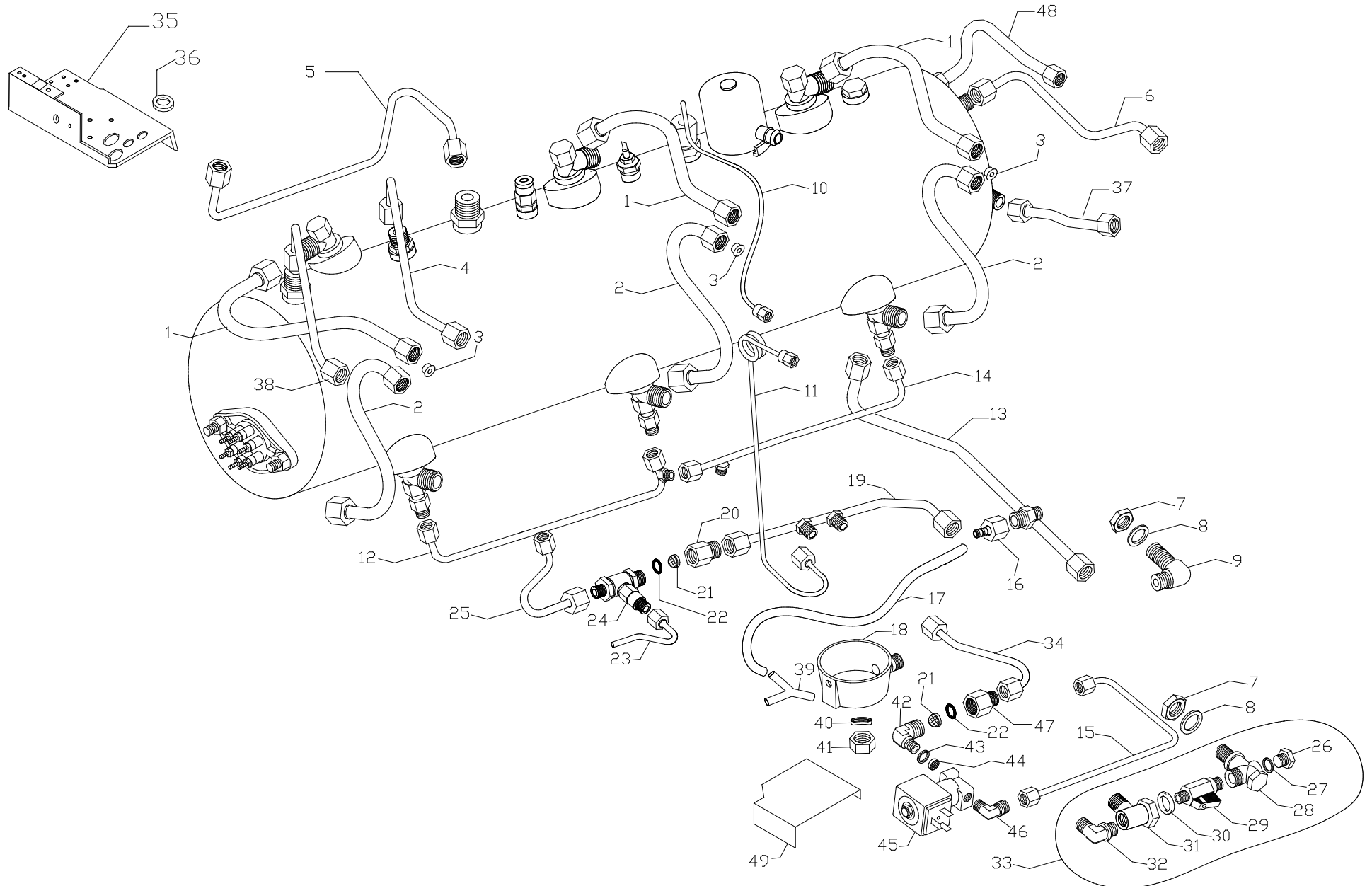
| Pos | Cod.     | Denominazione - IT -                  | Denomination - GB -                       | Denomination - FR -                      | Denomination - DE -                            |
|-----|----------|---------------------------------------|-------------------------------------------|------------------------------------------|------------------------------------------------|
| 39  | 23267    | RONDELLA ELAST.ONDUL. D.10 DIN13      | ELASTIC WASHER D10 DIN137                 | RONDELLE ELASTIQUE D10 DIN137            | ELASTISCHE SCHEIBE D10 DIN137                  |
| 40  | 23052    | DADO OTTONE M10 UNI 5587              | TOP BRASS NUT M10 UNI 5587                | ECROU LAITON SUPERIEUR M10 UNI 5587      | UNTER/MESSING MUTTER M10 UNI 5587              |
| 41  | 77604    | COPRIELETTRIVALVOLA AEA WO/WN         | AEA SOLENOID VALVE COVER                  | COUVRE-ELECTROVANNE AEA                  | ABDECKUNG ELEKTROVENTIL AEA                    |
| 42  | 25705    | RACC.FILTRO AEA                       | AUT.WATER REFILL FILTER CONNECTOR         | RACCORD FILTRE REM. EAU AUT.             | FILTERFITTING AUT.WASSERFULLUNGFILTER          |
| 43  | 23217    | RACC.GOM.D10 3/8x1/8 CON AEA F 1.2    | FITING D10 3/8x1/8 WITH AWI F 1.2         | RACCORD GOMME D10 3/8x1/8 WITH AEE F 1.2 | ANSCHLUSS D10 3/8x1/8 MIT A.W.F. 1.2           |
| 44  | 12155    | GU CU 8.5x5x1                         | COPPER GASKET 8.5x5x1                     | JOINT CU 8.5x5x1                         | CU DICHTUNG 8.5x5x1                            |
| 45  | 10251001 | FILTRO IN ACCIAIO D-8 SP. 0,3         | STEEL FILTER D-8 0,3 THICK                | FILTRE EN ACIER D-8 EP. 0,3              | STAHLFILTER D-8 SP. 0,3                        |
| 46  | 18162002 | ELETTRIVALVOLA AEA PRK.230 VDE        | SOLENOID VALVE AEA 230 PARKER             | ELECTROVANNE AEA 230V PARKER             | ELEKTROVENTIL AWZ 230V PARKER                  |
| 46  | 18160052 | ELETTRIVALVOLA AEA SIR.230 50 HZ      | SOLENOID VALVE AEA 230 SIRAI              | ELECTROVANNE AEA 230V SIRAI              | ELEKTROVENTIL AWZ 230V SIRAI                   |
| 47  | 23201    | RACC. OTT GOM.D6.2 1/4x1/8 AEA        | ELBOW BRASS CONNECTOR D6.2 1/4x1/8 AEA    | RACCORD COUDE LAITON D6.2 1/4x1/8        | MESSING-ANSCHLUSS D 6.2 1/4x1/8                |
| 48  | 52002698 | TBS.D-10 L.300 W 1/B CALDAIA>LIV.SUP. | TUBE D-10 L.300 W 1/B                     | TUYAU D-10 L.300 W 1/B                   | ROHR D-10 L.300 W 1/B                          |
| 49  | 52003009 | TBS.D-6 L.340 2>4GR SP10 DOSA         | TUBE D-6 L.340 2>4GR                      | TUYAU D-6 L.340 2>4GR                    | ROHR D-6 L.340 2>4GR                           |
| 50  | 52003008 | TBS.D-6 L.260 2-3GR SP9 DOSA          | TUBE D-6 L.260 2-3GR                      | TUYAU D-6 L.260 2-3GR                    | ROHR D-6 L.260 2-3GR                           |
| 51  | 18126    | DOSATORE FLOWMETER FH 12 909602       | FH 12 909602 FLOWMETER DOSER              | DOSEUR FLOWMETER FH 12 909602            | DOSIERER FLOWMETER FH 12 909602                |
| 52  | 56122000 | ASS. DOSATORE                         | DOSER KIT                                 | ENSEMBLE DOSEUR                          | SATZ DOSIERER                                  |
| 53  | 25686    | RACCORDO 1/4x1/4 FLANGIA              | CONNECTOR 1/4x1/4 FLANGE                  | RACCORD 1/4x1/4 BRIDE                    | ANSCHLUSS 1/4x1/4 FLANSCH                      |
| 54  | 25708    | RACCORDO 1/4x1/4                      | 1/4x1/4 FITING                            | RACCORD 1/4x1/4                          | ANSCHLUSS 1/4x1/4                              |
| 55  | 12329    | GUARNIZIONE OR FILTRO AEA 7.66xW1.78  | O RING FOR WATER REFILL FILTER 7.66xW1.78 | JOINT OR FILTRE AUT.REM.EAU 7.66xW1.78   | OR DICHTUNG FUR WASSERFULLUNGFILTER 7.66xW1.78 |

Impianto idraulico EPU 3GR-Hydraulic circuit EPU 3GR-Circuit hydraulique EPU 3GR-Wasser anlage EPU 3GR



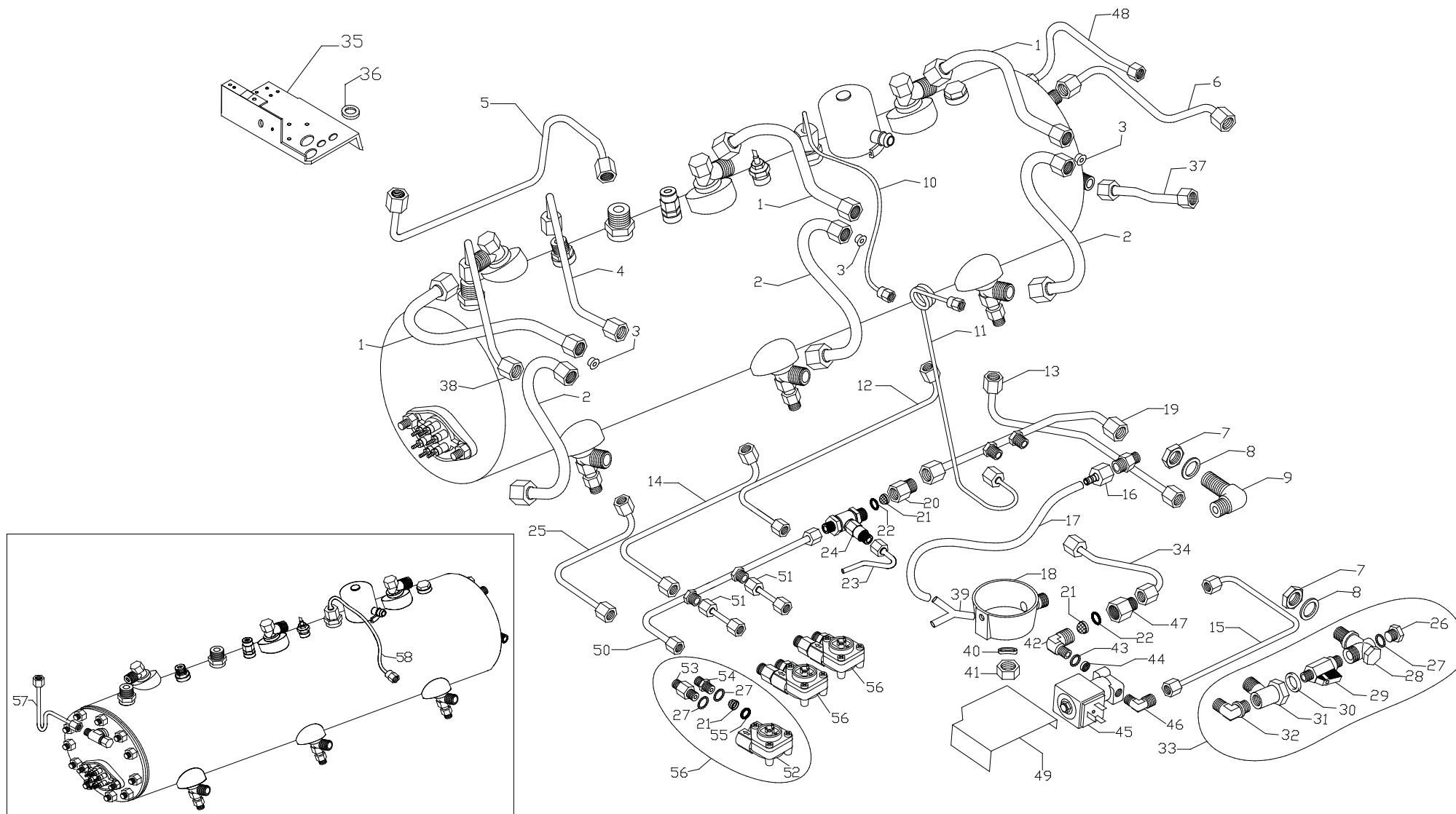
START

| Pos | Cod.     | Denominazione - IT -                        | Denomination - GB -                 | Denomination - FR -              | Denomination - DE -                  |
|-----|----------|---------------------------------------------|-------------------------------------|----------------------------------|--------------------------------------|
| 1   | 52001202 | TUB.D-10 L.250 2-4GR N 3 CALDAIA > GRUPP    | TUBE D-10 L.250                     | TUYAU D-10 L.250                 | ROHR D-10 L.250                      |
| 2   | 52002956 | TBS.D-10 L.245 W224                         | TUBE D-10 L.245 W224                | TUYAU D-10 L.245 W224            | ROHR D-10 L.245 W224                 |
| 3   | 23294003 | STROZZATURA RICIRCOLO GR CTS D 4            | CTS UNIT D 4 RECIRC. NECK           | ETRANGLEMENT RECYCLAGE GR.D.4    | ENGSTELLE UMWÄLZUNG D. 4             |
| 4   | 52002842 | TUBO D-8 L.300 W 155CALDAIA > RUBINETTO     | TUBE D-8 L.300 W155                 | TUYAU D-8 L.300 W155             | ROHR D-8 L.300 W155                  |
| 5   | 52003409 | TBS.D-6 L.490 ECO/RO 3GR W270 CLD>PRESSOST. | TUBE D-6 L.490 W270                 | TUYAU D-6 L.490 W270             | ROHR D-6 L.490 W270                  |
| 6   | 52002954 | TBS.D-8 L.290 WE.RO. W 222 CLD > VAP.DX     | TUBE D-8 L.290 W222                 | TUYAU D-8 L.290 W222             | ROHR D-8 L.290 W222                  |
| 7   | 25356    | CONTRODADO OTTONE 3/8                       | BRASS LOCK NUT 3/8                  | CONTRE-ECROU LAITON 3/8          | MESSING-GEGENMUTTER 3/8              |
| 8   | 25651    | RONDELLA OTTONE 3/8                         | BRASS WASHER 3/8                    | RONDELLE LAITON 3/8              | MESSINGSCHLEIBE 3/8                  |
| 9   | 43067    | RACCORDO "L" 3/8 GASX3/8 GAS L.30           | 3/8 GAS X 3/8 GAS L FITTING L.30    | RACCORD L 3/8 GAZX3/8 GAZ L.30   | ANSCHLUSS L 3/8 GAS X 3/8 GAS L. 30  |
| 10  | 52001437 | TBS.D-4 L.435 1GR CTS AR 60                 | TUBE D-4 L.435                      | TUYAU D-4 L.435                  | ROHR D-4 L.435                       |
| 11  | 52000110 | TBS.D-4 L.730 1-4GR A 44                    | TUBE D-4 L.730 1-4 GR A 44          | TUYAU D-4 L.730 1-4GR A 44       | ROHR D-4 L.730 1-4GR A 44            |
| 12  | 52003014 | TBS.D-6 L.245 2>4GR SP 15 INIETTORE DX >    | TUBE D-6 L.245 SP15                 | TUYAU D-6 L.245 SP15             | ROHR D-6 L.245 SP15                  |
| 13  | 52003212 | TBS.D-10 L.320 ECO WO 13 POMPA > CALDAIA    | TUBE D-10 L.320 W013                | TUYAU D-10 L.320 W013            | ROHR D-10 L.320 W013                 |
| 14  | 52003022 | TBS.D-6 L.250 3GR SP 23 SP 15               | TUBE D-6 L.250 3GR SP 23 SP 15      | TUYAU D-6 L.250 3GR SP 23 SP 15  | ROHR D-6 L.250 3GR SP 23 SP 15       |
| 15  | 52003214 | TBS.D-6 L.345 ECO-ORION WO 15               | TUBE D-6 L.345 ECO-ORION WO 15      | TUYAU D-6 L.345 ECO-ORION WO 15  | ROHR D-6 L.345 ECO-ORION WO 15       |
| 16  | 257396   | RACC. SCARICO CALDAIA ASSIEMATO             | FITTING                             | RACCORD                          | ANSCHLUSS                            |
| 17  | 15477013 | TUBO SILIC.PLATINICO 6x9                    | SILICONE PIPE 6x9                   | TUYAU SILICONE 6x9               | SILIKONSCHLAUCH 6x9                  |
| 18  | 15502    | VASCHETTA SCARICO ROTONDA D 80              | ROUND DRAIN BASIN D.80MM            | CUVE A VIDANGER RONDE D.80MM     | RUNDE ABFLUSSCHALE D.80MM            |
| 19  | 52003224 | TBS.D-8 L.260 WO 18/A POMPA > SCNR          | TUBE D-8 L.260 W018                 | TUYAU D-8 L.260 W018             | ROHR D-8 L.260 W018                  |
| 20  | 25732100 | RACCORDO 3/8MX3/8F + SEDE FILTRO            | FITTING 3/8MX3/8F                   | RACCORD 3/8MX3/8F                | ANSCHLUSS 3/8MX3/8F                  |
| 21  | 10254    | FILTRO ACCIAIO 160-200 MESH                 | STEEL FILTER 160-200 MESH           | FILTRE EN ACIER 160-200 MESH     | STAHLFILTER 160-200 MESH             |
| 22  | 12312    | GUARNIZIONE OR FILTRO AEA 10X2              | O RING FOR WATER REFILL FILTER 10X2 | JOINT OR FILTRE AUT.REM.EAU 10X2 | OR DICHTUNG FUR WASSERFULLUNGFILTER  |
| 23  | 52001351 | TUBO D-6 L.170 2GR SAE LD42 SCA             | TUBE D-6 L.170 2GR SAE              | TUYAU D-6 L.170 2GR SAE          | ROHR D.6 L.170 2GR SAE               |
| 24  | 20361    | VALVOLA S.C.N.R. REGOLABILE                 | ADJUSTABLE S.C.N.R. VALVE           | SOUPAPE S.C.N.R. REGLABLE        | EINSTELLBARES VENTIL S.N.C.R.        |
| 25  | 52003207 | TUBO D-6 L.175 '99 W8                       | TUBE D-6 L.175 W8                   | TUYAU D-6 L.175 W8               | ROHR D-6 L.175 W8                    |
| 26  | 25780    | TAPPO MASCHIO OTTONE 1/4                    | BRASS MALE CAP 1/4                  | BOUCHON MALE LAITON 1/4          | MESSING-STOPFEN 1/4                  |
| 27  | 12153    | GUARNIZIONE CU 1/4 17X13.3X1.5              | 1/4 17X13.3X1.5 COPPER SEAL         | JOINT CUIVRE 1/4 17X13.3X1.5     | KUPFERDICHTUNG 1/4 17X13.3X1.5       |
| 28  | 53001001 | CORPO LIVELLO INFERIORE                     | LOWER LEVEL CONNECTOR               | CORPS DE NIVEAU INFERIEUR        | UNTERNIVEAUKORPER                    |
| 29  | 20354    | VALVOLA CHIUSURA AEA                        | PRESSURE RELEASE TAP BULK UNIT      | CLAPET FERMETURE AUT.ARRIVEE EAU | ABSPERRVENTIL X AUT.WASSERZUFUHR     |
| 30  | 12100    | GUARNIZIONE CU/ALIM 1/4 18.7X13.2X2.5       | CU GASKET 1/4 18.7X13.2X2.5         | JOINT CU 1/4 18.7X13.2X2.5       | CU DICHTUNG 1/4 18.7X13.2X2.5        |
| 31  | 43030001 | RACC.INIETTORE ITALIA 3/8Fx3/8Mx14F         | INJECTOR FITTING 3/8Fx3/8Mx14F      | RACCORD INJECTEUR 3/8Fx3/8Mx14F  | ANSCHLUSS EINSPRITZTER 3/8Fx3/8Mx14F |
| 32  | 43052    | RACCORDO "L" 3/8                            | CONNECTOR 'L' 3/8                   | RACCORD 'L' 3/8                  | ANSCHLUSS 'L' 3/8                    |
| 33  | 56134001 | ASSIEME BLOCCHETTO POMPA                    | UNIT PUMP                           | ENSEMBLE POMPE                   | PUMPENSATZ                           |
| 34  | 52003202 | TBS.D-6 L.130 ORION '99 WO 3B               | TUBE D-6 L.130                      | TUYAU D-6 L.130                  | ROHR D-6 L.130                       |
| 35  | 78138    | SUPP.MORSET.FERMAC.2/3 GR TEL               | SUPPORT 2/3 GR                      | SUPPORT 2/3 GR                   | HALTER 2/3 GR                        |
| 36  | 15350    | PASSACAVO DK16 22x27x3                      | FAIRLEAD DK16 22x27x3               | CHAUMARD DK16 22x27x3            | KABELDURCHGANG DK16 22x27x3          |
| 37  | 52002958 | TBS. D-10 L.160 W 1/E                       | TUBE D-10 L.160 W 1/E               | TUYAU D-10 L.160 W 1/E           | ROHR D-10 L.160 W 1/E                |
| 38  | 52002841 | TBS. D-8 L.290 W154 CALDAIA>                | TUBE D-8 L.290 W154                 | TUYAU D-8 L.290 W154             | ROHR D-8 L.290 W154                  |

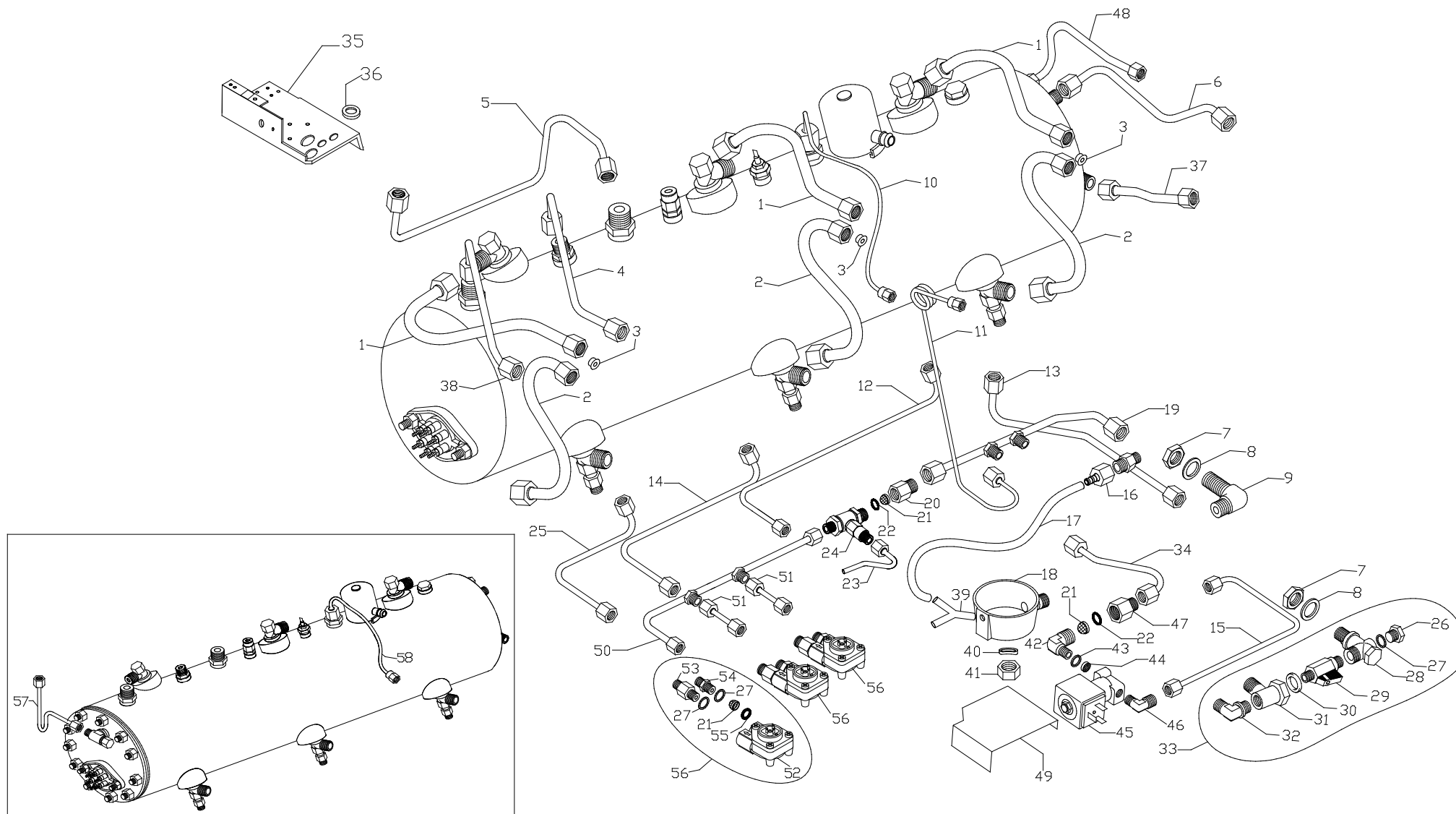




| Pos | Cod.     | Denominazione - IT -                  | Denomination - GB -                 | Denomination - FR -                 | Denomination - DE -                   |
|-----|----------|---------------------------------------|-------------------------------------|-------------------------------------|---------------------------------------|
| 39  | 15422010 | RACC. "Y" POLIPROPILENE D-10          | "Y"POLIPROPILENE FITTING            | RACCORD "Y" POLIPROPILENE           | ANSCHLUSS "Y" POLIPROPILENE           |
| 40  | 23267    | RONDELLA ELAST.ONDUL. D.10 DIN137     | ELASTIC WASHER D10 DIN137           | RONDELLE ELASTIQUE D10 DIN137       | ELASTISCHE SCHEIBE D10 DIN137         |
| 41  | 23052    | DADO OTTONE M10 UNI 5587              | TOP BRASS NUT M10 UNI 5587          | ECROU LAITON SUPERIEUR M10 UNI 5587 | UNTER/MESSING MUTTER M10 UNI 5587     |
| 42  | 23217    | RACC.GOM.D10 3/8x1/8 CON AEA F 1.2    | FITTING D10 3/8x1/8 WITH AWI F1.2   | RACCORD GOMME D10 3/8x1/8 AEE F1.2  | FITTING D10 3/8x1/8 MIT A.W.F. 1.2    |
| 43  | 12155    | GU CU 8.5x5x1                         | COPPER GASKET 8.5x5x1               | JOINT CU 8.5x5x1                    | CU DICHTUNG 8.5x5x1                   |
| 44  | 10251001 | FILTRO IN ACCIAIO D-8 Sp.0,3          | STEEL FILTER D-8 0,3 THICK          | FILTRE EN ACIER D-8 Ep. 0,3         | STAHLFILTER D-8 Sp. 0,3               |
| 45  | 18162002 | ELETTRORVALVOLA AEA PRK.230 VDE       | SOLENOID VALVE AEA 230 PARKER       | ELECTROVANNE AEA 230V PARKER        | ELEKTROVENTIL AWZ 230V PARKER         |
| 45  | 18160052 | ELETTRORVALVOLA AEA SIR.230 50 HZ     | SOLENOID VALVE AEA 230 SIRAI        | ELECTROVANNE AEA 230V SIRAI         | ELEKTROVENTIL AWZ 230V SIRAI          |
| 46  | 23201    | RACC.OTT.GOM. D 6.2 1/4x1/8 -AEA      | ELBOW BRASS CONNECTOR D 6.2 1/4x1/8 | RACCORD COUDE LAITON D 6.2 1/4x1/8  | MESSING-ANSCHLUSS D 6.2 1/4x1/8       |
| 47  | 25705    | RACC.FILTRO AEA                       | AUT.WATER REFILL FILTER CONNECTOR   | RACCORD FILTRE REM. EAU AUT.        | FILTERFITTING AUT.WASSERFULLUNGFILTER |
| 48  | 52002698 | TBS.D-10 L.300 W 1/B CALDAIA>LIV.SUP. | TUBE D-10 L.300                     | TUYAU D-10 L.300                    | ROHR D-10 L.300                       |
| 49  | 77604    | COPRIELETTRORVALVOLA AEA WO/WN        | AEA SOLENOID VALVE COVER            | COUVRE-ELECTROVANNE AEA             | ABDECKUNG ELEKTROVENTIL AEA           |
| 50  | 52001433 | TBS.D-4 L.310 2-3GR CTS AR 56         | TUBE D-4 L.310 2-3GR CTS AR 56      | TUYAU D-4 L.310 2-3GR CTS AR 56     | ROHR D-4 L.310 2-3GR CTS AR 56        |
| 51  | 52002698 | TBS.D-10 L.300 W 1/B CALDAIA>LIV.SUP. | TUBE D-10 L.300 W 1/B               | TUYAU D-10 L.300 W 1/B              | ROHR D-10 L.300 W 1/B                 |



| Pos | Cod.     | Denominazione - IT -                        | Denomination - GB -                 | Denomination - FR -              | Denomination - DE -                  |
|-----|----------|---------------------------------------------|-------------------------------------|----------------------------------|--------------------------------------|
| 1   | 52001202 | TUB.D-10 L.250 2-4GR N 3 CALDAIA > GRUPP    | TUBE D-10 L.250                     | TUYAU D-10 L.250                 | ROHR D-10 L.250                      |
| 2   | 52002956 | TBS.D-10 L.245 W224                         | TUBE D-10 L.245 W224                | TUYAU D-10 L.245 W224            | ROHR D-10 L.245 W224                 |
| 3   | 23294003 | STROZZATURA RICIRCOLO GR CTS D 4            | CTS UNIT D 4 RECIRC. NECK           | ETRANGLEMENT RECYCLAGE GR.D.4    | ENGSTELLE UMWÄLZUNG D.4              |
| 4   | 52002842 | TUBO D-8 L.300 W 155CALDAIA > RUBINETTO     | TUBE D-8 L.300 W155                 | TUYAU D-8 L.300 W155             | ROHR D-8 L.300 W155                  |
| 5   | 52003409 | TBS.D-6 L.490 ECO/RO 3GR W270 CLD>PRESSOST. | TUBE D-6 L.490 W270                 | TUYAU D-6 L.490 W270             | ROHR D-6 L.490 W270                  |
| 6   | 52002954 | TBS.D-8 L.290 WE.RO. W 222 CLD > VAP.DX     | TUBE D-8 L.290 W222                 | TUYAU D-8 L.290 W222             | ROHR D-8 L.290 W222                  |
| 7   | 25356    | CONTRODADO OTTONE 3/8                       | BRASS LOCK NUT 3/8                  | CONTRE-ECROU LAITON 3/8          | MESSING-GEGENMUTTER 3/8              |
| 8   | 25651    | RONDELLA OTTONE 3/8                         | BRASS WASHER 3/8                    | RONDELLE LAITON 3/8              | MESSINGSCHLEIBE 3/8                  |
| 9   | 43067    | RACCORDO "L" 3/8 GASX3/8 GAS L.30           | 3/8 GAS X 3/8 GAS L FITTING L.30    | RACCORD L 3/8 GAZX3/8 GAZ L.30   | ANSCHLUSS L 3/8 GAS X 3/8 GAS L. 30  |
| 10  | 52001437 | TBS.D-4 L.435 1GR CTS AR 60                 | TUBE D-4 L.435                      | TUYAU D-4 L.435                  | ROHR D-4 L.435                       |
| 11  | 52000110 | TBS.D-4 L.730 1-4GR A 44                    | TUBE D-4 L.730 1-4 GR A 44          | TUYAU D-4 L.730 1-4GR A 44       | ROHR D-4 L.730 1-4GR A 44            |
| 12  | 52003021 | TBS.D-6 L.490 3GR SP 22 DOSATOR             | TUBE D-6 L.490 3GR SP 22            | TUYAU D-6 L.490 3GR SP 22        | ROHR D-6 L.490 3GR SP 22             |
| 13  | 52003212 | TBS.D-10 L.320 ECO WO 13 POMPA > CALDAIA    | TUBE D-10 L.320 W013                | TUYAU D-10 L.320 W013            | ROHR D-10 L.320 W013                 |
| 14  | 52003009 | TBS.D-6 L.340 2>4GR SP 10 DOSA              | TUBE D-6 L.340 2>4GR SP 10          | TUYAU D-6 L.340 2>3GR SP 10      | ROHR D-6 L.340 2>3GR SP 10           |
| 15  | 52003214 | TBS.D-6 L.345 ECO-ORION WO 15               | TUBE D-6 L.345 ECO-ORION WO 15      | TUYAU D-6 L.345 ECO-ORION WO 15  | ROHR D-6 L.345 ECO-ORION WO 15       |
| 16  | 257396   | RACC. SCARICO CALDAIA ASSIEMATO             | FITTING                             | RACCORD                          | ANSCHLUSS                            |
| 17  | 15477013 | TUBO SILIC.PLATINICO 6x9                    | SILICONE PIPE 6x9                   | TUYAU SILICONE 6x9               | SILIKONSCHLAUCH 6x9                  |
| 18  | 15502    | VASCETTA SCARICO ROTONDA D 80               | ROUND DRAIN BASIN D.80MM            | CUVE A VIDANGER RONDE D.80MM     | RUNDE ABFLUSSCHALE D.80MM            |
| 19  | 52003224 | TBS.D-8 L.260 WO 18/A POMPA > SCNR          | TUBE D-8 L.260 W018                 | TUYAU D-8 L.260 W018             | ROHR D-8 L.260 W018                  |
| 20  | 25732100 | RACCORDO 3/8MX3/8F + SEDE FILTRO            | FITTING 3/8MX3/8F                   | RACCORD 3/8MX3/8F                | ANSCHLUSS 3/8MX3/8F                  |
| 21  | 10254    | FILTRO ACCIAIO 160-200 MESH                 | STEEL FILTER 160-200 MESH           | FILTRE EN ACIER 160-200 MESH     | STAHLFILTER 160-200 MESH             |
| 22  | 12312    | GUARNIZIONE OR FILTRO AEA 10X2              | O RING FOR WATER REFILL FILTER 10X2 | JOINT OR FILTRE AUT.REM.EAU 10X2 | OR DICHTUNG FUR WASSERFULLUNGFILTER  |
| 23  | 52001351 | TUBO D-6 L.170 2GR SAE LD42 SCA             | TUBE D-6 L.170 2GR SAE              | TUYAU D-6 L.170 2GR SAE          | ROHR D.6 L.170 2GR SAE               |
| 24  | 20361    | VALVOLA S.C.N.R. REGOLABILE                 | ADJUSTABLE S.C.N.R. VALVE           | SOUPAPE S.C.N.R. REGLABLE        | EINSTELLBARES VENTIL S.N.C.R.        |
| 25  | 52003008 | TUBO D-6 L.260 2-3GR SP 9 DOSAT             | TUBE D-6 L.260 2-3GR SP 9           | TUYAU D-6 L.260 2-3GR SP 9       | ROHR D-6 L.260 2-3GR SP 9            |
| 26  | 25780    | TAPPO MASCHIO OTTONE 1/4                    | BRASS MALE CAP 1/4                  | BOUCHON MALE LAITON 1/4          | MESSING-STOPFEN 1/4                  |
| 27  | 12153    | GUARNIZIONE CU 1/4 17X13.3X1.5              | 1/4 17X13.3X1.5 COPPER SEAL         | JOINT CUIVRE 1/4 17X13.3X1.5     | KUPFERDICHTUNG 1/4 17X13.3X1.5       |
| 28  | 53001001 | CORPO LIVELLO INFERIORE                     | LOWER LEVEL CONNECTOR               | CORPS DE NIVEAU INFERIEUR        | UNTERNIVEAUKORPER                    |
| 29  | 20354    | VALVOLA CHIUSURA AEA                        | PRESSURE RELEASE TAP BULK UNIT      | CLAPET FERMETURE AUT.ARRIVEE EAU | ABSPERRVENTIL X AUT.WASSERZUFUHR     |
| 30  | 12100    | GUARNIZIONE CU/ALIM 1/4 18.7X13.2X2.5       | CU GASKET 1/4 18.7X13.2X2.5         | JOINT CU 1/4 18.7X13.2X2.5       | CU DICHTUNG 1/4 18.7X13.2X2.5        |
| 31  | 43030001 | RACC.INIETTORE ITALIA 3/8Fx3/8Mx14F         | INJECTOR FITTING 3/8Fx3/8Mx14F      | RACCORD INJECTEUR 3/8Fx3/8Mx14F  | ANSCHLUSS EINSPRITZTER 3/8Fx3/8Mx14F |
| 32  | 43052    | RACCORDO "L" 3/8                            | CONNECTOR 'L' 3/8                   | RACCORD 'L' 3/8                  | ANSCHLUSS 'L' 3/8                    |
| 33  | 56134001 | ASSIEME BLOCCHETTO POMPA                    | UNIT PUMP                           | ENSEMBLE POMPE                   | PUMPENSATZ                           |
| 34  | 52003202 | TBS.D-6 L.130 ORION '99 WO 3B               | TUBE D-6 L.130                      | TUYAU D-6 L.130                  | ROHR D-6 L.130                       |
| 35  | 78138    | SUPP.MORSET.FERMAC.2/3 GR TEL               | SUPPORT 2/3 GR                      | SUPPORT 2/3 GR                   | HALTER 2/3 GR                        |
| 36  | 15350    | PASSACAVO DK16 22x27x3                      | FAIRLEAD DK16 22x27x3               | CHAUMARD DK16 22x27x3            | KABELDURCHGANG DK16 22x27x3          |
| 37  | 52002958 | TBS. D-10 L.160 W 1/E                       | TUBE D-10 L.160 W 1/E               | TUYAU D-10 L.160 W 1/E           | ROHR D-10 L.160 W 1/E                |
| 38  | 52002841 | TBS. D-8 L.290 W154 CALDAIA>                | TUBE D-8 L.290 W154                 | TUYAU D-8 L.290 W154             | ROHR D-8 L.290 W154                  |



**START**

| Pos | Cod.     | Denominazione - IT -                   | Denomination - GB -                     | Denomination - FR -                    | Denomination - DE -                            |
|-----|----------|----------------------------------------|-----------------------------------------|----------------------------------------|------------------------------------------------|
| 39  | 15422010 | RACC. "Y" POLIPROPILENE D-10           | "Y"POLIPROPILENE FITTING                | RACCORD "Y" POLIPROPILENE              | ANSCHLUSS "Y" POLIPROPILENE                    |
| 40  | 23267    | RONDELLA ELAST.ONDUL. D.10 DIN13       | ELASTIC WASHER D10 DIN137               | RONDELLE ELASTIQUE D10 DIN137          | ELASTISCHE SCHEIBE D10 DIN137                  |
| 41  | 23052    | DADO OTTONE M10 UNI 5587               | TOP BRASS NUT M10 UNI 5587              | ECROU LAITON SUPERIEUR M10 UNI 5587    | UNTER/MESSING MUTTER M10 UNI 5587              |
| 42  | 23217    | RACC.GOM.D10 3/8x1/8 CON AEA F 1.2     | FITTING D10 3/8x1/8 WITH AWI F1.2       | RACCORD GOMME D10 3/8x1/8 AEE F1.2     | FITTING D10 3/8x1/8 MIT A.W.F. 1.2             |
| 43  | 12155    | GU CU 8.5x5x1                          | COPPER GASKET 8.5x5x1                   | JOINT CU 8.5x5x1                       | CU DICHTUNG 8.5x5x1                            |
| 44  | 10251001 | FILTRO IN ACCIAIO D-8 Sp.0,3           | STEEL FILTER D-8 0,3 THICK              | FILTRE EN ACIER D-8 Ep. 0,3            | STAHLFILTER D-8 Sp. 0,3                        |
| 45  | 18162002 | ELETTRORVALVOLA AEA PRK.230 VDE        | SOLENOID VALVE AEA 230 PARKER           | ELECTROVANNE AEA 230V PARKER           | ELEKTROVENTIL AWZ 230V PARKER                  |
| 45  | 18160052 | ELETTRORVALVOLA AEA SIR.230 50 HZ      | SOLENOID VALVE AEA 230 SIRAI            | ELECTROVANNE AEA 230V SIRAI            | ELEKTROVENTIL AWZ 230V SIRAI                   |
| 46  | 23201    | RACC.OTT.GOM. D 6.2 1/4x1/8 -AEA       | ELBOW BRASS CONNECTOR D 6.2 1/4x1/8     | RACCORD COUDE LAITON D 6.2 1/4x1/8     | MESSING-ANSCHLUSS D 6.2 1/4x1/8                |
| 47  | 25705    | RACC.FILTRO AEA                        | AUT.WATER REFILL FILTER CONNECTOR       | RACCORD FILTRE REM. EAU AUT.           | FILTERFITTING AUT.WASSERFÜLLUNGFILTER          |
| 48  | 52002698 | TBS.D-10 L.300 W 1/B CALDAIA>LIV.SUP.  | TUBE D-10 L.300 W 1/B                   | TUYAU D-10 L.300 W 1/B                 | ROHR D-10 L.300 W 1/B                          |
| 49  | 77604    | COPRIELETTORVALVOLA AEA WO/WN          | AEA SOLENOID VALVE COVER                | COUVRE-ELECTROVANNE AEA                | ABDECKUNG ELEKTROVENTIL AEA                    |
| 50  | 52000322 | TBS.D-8 L.440 DV 29/A SCNR>DO          | TUBE D-8 L.440 DV 29/A                  | TUYAU D-8 L.440 DV 29/A                | ROHR D-8 L.440 DV 29/A                         |
| 51  | 52000202 | TBS.D-6 L.65 DV3 TBS. DV2>DOS          | TUBE D-6 L.65 DV3 TBS. DV2>DOS          | TUYAU D-6 L.65 DV3 TBS. DV2>DOS        | ROHR D-6 L.65 DV3 TBS. DV2>DOS                 |
| 52  | 18126    | DOSATORE FLOWMETER FH 12 909602        | FH 12 909602 FLOWMETER DOSER            | DOSEUR FLOWMETER FH 12 909602          | DOSIERER FLOWMETER FH 12 909602                |
| 53  | 25708    | RACC.1/4x1/4 GRUPPO LEVETTA            | 1/4x1/4 FITING                          | RACCORD 1/4x1/4                        | ANSCHLUSS 1/4x1/4                              |
| 54  | 25686    | RACC.1/4x1/4 FLANGIA                   | CONNECTOR 1/4x1/4 FITING FLANGE         | RACCORD 1/4x1/4 BRIDE                  | ANSCHLUSS 1/4x1/4 FLANSCH                      |
| 55  | 12329    | GUARNIZIONE OR FILTRO AEA 7.66xW1.78 0 | RING FOR WATER REFILL FILTER 7.66xW1.78 | JOINT OR FILTRE AUT.REM.EAU 7.66xW1.78 | OR DICHTUNG FÜR WASSERFÜLLUNGFILTER 7.66xW1.78 |
| 56  | 56122000 | ASSIEME DOSATORE                       | UNIT DOSER                              | ENSEMBLE DOSEUR                        | DOSIERER SATZ                                  |
| 57  | 52001433 | TBS.D-4 L.310 2-3GR CTS AR 56          | TUBE D-4 L.310 2-3GR CTS AR 56          | TUYAU D-4 L.310 2-3GR CTS AR 56        | ROHR D-4 L.310 2-3GR CTS AR 56                 |
| 58  | 52002698 | TBS.D-10 L.300 W 1/B CALDAIA>LIV.SUP.  | TUBE D-10 L.300 W 1/B                   | TUYAU D-10 L.300 W 1/B                 | ROHR D-10 L.300 W 1/B                          |

**ILC**

**INDICE - INDEX - SOMMAIRE - VERZEICHNIS**

**ILC-50**

LIVELLO ACQUA - WATER LEVEL  
NIVEAU EAU - WASSER NIVEAU

rev.

**00**  
04/2013

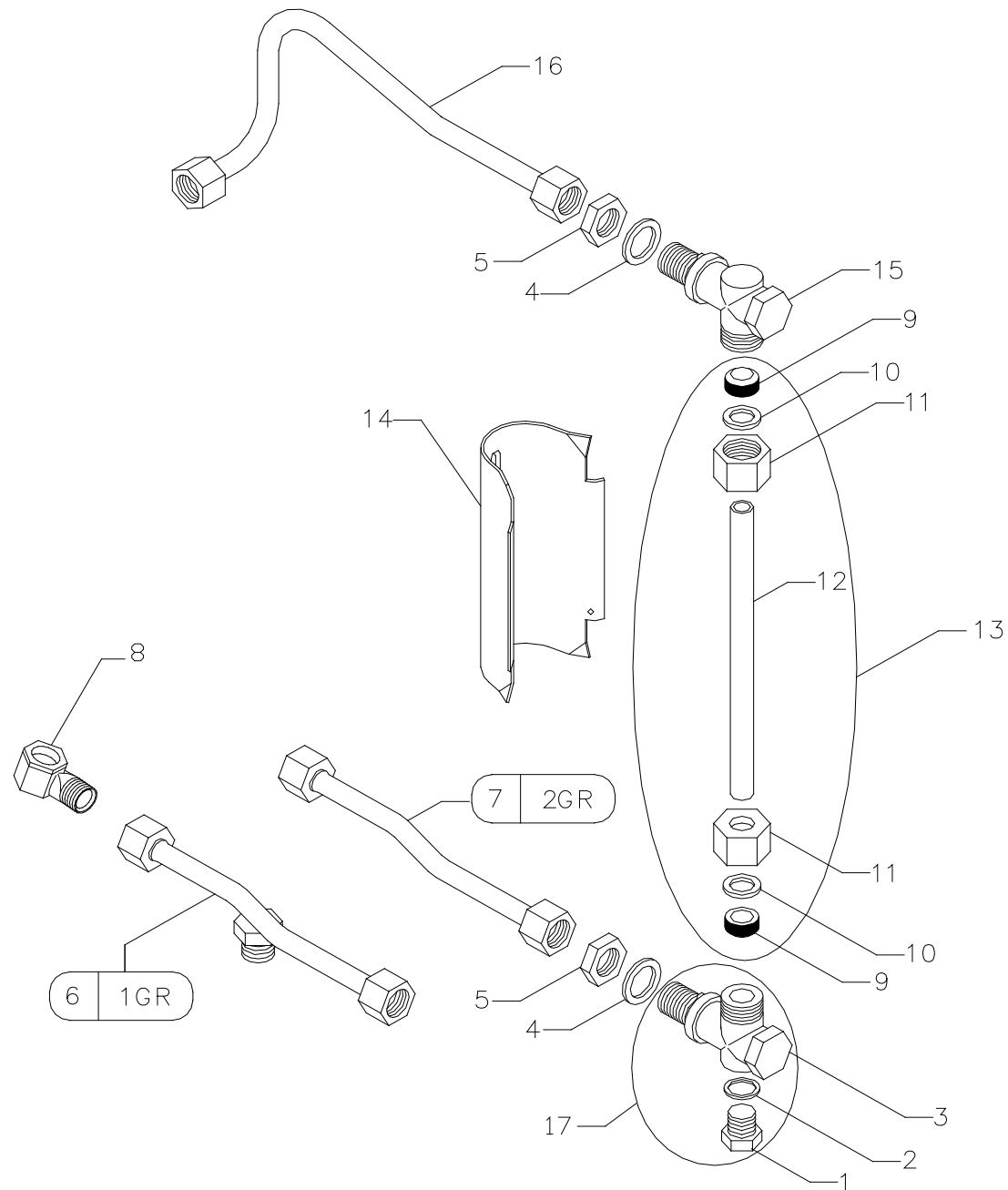
LIVELLO ACQUA

WATER LEVEL

NIVEAU EAU

WASSER NIVEAU

**START**



| Pos | Cod.     | Denominazione - IT -                     | Denomination - GB -                   | Denomination - FR -                  | Denomination - DE -                      |
|-----|----------|------------------------------------------|---------------------------------------|--------------------------------------|------------------------------------------|
| 1   | 25780    | TAPPO MASCHIO OTTONE 1/4                 | BRASS MALE CAP 1/4                    | BOUCHON MALE LAITON 1/4              | MESSING-STOPFEN 1/4                      |
| 2   | 12153    | GUARNIZIONE CU 1/4 17X13.3X1.5           | 1/4 17X13.3X1.5 COPPER SEAL           | JOINT CUIVRE 1/4 17X13.3X1.5         | KUPFERDICHTUNG 1/4 17X13.3X1.5           |
| 3   | 53001    | CORPO LIVELLO INFERIORE                  | LOWER LEVEL CONNECTOR                 | CORPS DE NIVEAU INFERIEUR            | UNTERNIVEAUKORPER                        |
| 4   | 25651    | RONDELLA OTTONE 3/8                      | BRASS WASHER 3/8                      | RONDELLE LAITON 3/8                  | MESSINGSCHLEIBE 3/8                      |
| 5   | 25356    | CONTRODADO OTTONE 3/8                    | BRASS LOCK NUT 3/8                    | CONTRE-ECROU LAITON 3/8              | MESSING-GEGENMUTTER 3/8                  |
| 6   | 52002962 | TBS.D-10 L.160 W 226                     | TUBE D-10 L.160 W226                  | TUYAU D-10 L.160 W226                | ROHR D-10 L.160 W226                     |
| 7   | 52002958 | TBS.D-10 L.160 W 1/E                     | TUBE D-10 L.160 W1/E                  | TUYAU D-10 L.160 W1/E                | ROHR D-10 L.160 W1/E                     |
| 8   | 43070    | RACC."L" 3/8F GAS CON. x 3/8M GAS        | CONNECTOR"L" 3/8F GAS CON. x 3/8M GAS | RACCORD "L" 3/8F GAS CON. x 3/8M GAS | FITTING "L" 3/8F GAS CON. x 3/8M GAS     |
| 9   | 12200    | GUARNIZIONE GOMMA X LIVELLO 16X10X8 SMUS | SIGHT GLASS RUBBER GASKET 16X10X8     | JOINT CAOUTCHOUC DE NIVEAU 16X10X8   | GUMMIDICHTUNG FÜR NIVEAU 16X10X8 ABGEKAN |
| 10  | 25652    | RONDELLA OTTONE D17.8                    | BRASS WASHER D.17.8                   | RONDELLE LAITON D.17.8               | MESSING-SCHLEIBE D.17.8                  |
| 11  | 25383    | DADO OTTONE M20X1.5                      | BRASS NUT 20X1.5                      | ECROU LAITON 20X1.5                  | MESSING-MUTTER 20X1.5                    |
| 12  | 21300    | TUBO VETRO PIREX LIVELLO 11X8X170        | PYREX GLASS LEVEL TUBE 11X8X170       | TUBE NIVEAU EN VERRE PYREX 11X8X170  | NIVEAU GLASROHR 11X8X170                 |
| 13  | 56001    | ASSIEME TUBO LIVELLO                     | LEVEL TUBE UNIT                       | ENSEMBLE TUBE DE NIVEAU              | ROHRSATZ FÜR NIVEAU                      |
| 14  | 44002    | COPRILIVELLO VERNICIATO BIANCO           | LEVEL INDICATOR COVER PAINTED WHITE   | COUVRE-NIVEAU LAQUE BLANC            | NIVEAUDECKEL                             |
| 15  | 53002    | CORPO LIVELLO SUPERIORE                  | UPPER LEVEL BODY                      | CORPS DE NIVEAU SUPERIEUR            | OBERNIVEAUKORPER                         |
| 16  | 52002698 | TBS.D-10 L.300 W 1/B CALDAIA > LIVELLO S | TUBE D-10 L.300 W1/B                  | TUYAU D-10 L.300 W1/B                | ROHR D-10 L.300 W1/B                     |
| 17  | 56005    | ASS.CORPO LIVELLO INFERIORE              | LOWER LEVEL BODY UNIT                 | ENSEMBLE CORPS DE NIVEAU INFERIEUR   | UNTER NIVEAUKORPER                       |



## INDICE - INDEX - SOMMAIRE - VERZEICHNIS

rev.

**ELTW-60**

IMPIANTO ELETTRICO EPU/EVD - ELETRICAL SYSTEM EPU/EVD  
CIRCUIT ELECTRIQUE EPU/EVD - STROM ANLAGE EPU/EVD

**02**  
02/2013

**ELTW-61**

IMPIANTO ELETTRICO DISPLAY - ELETRICAL SYSTEM DISPLAY  
CIRCUIT ELECTRIQUE DISPLAY - STROM ANLAGE DISPLAY

**01**  
10/2013

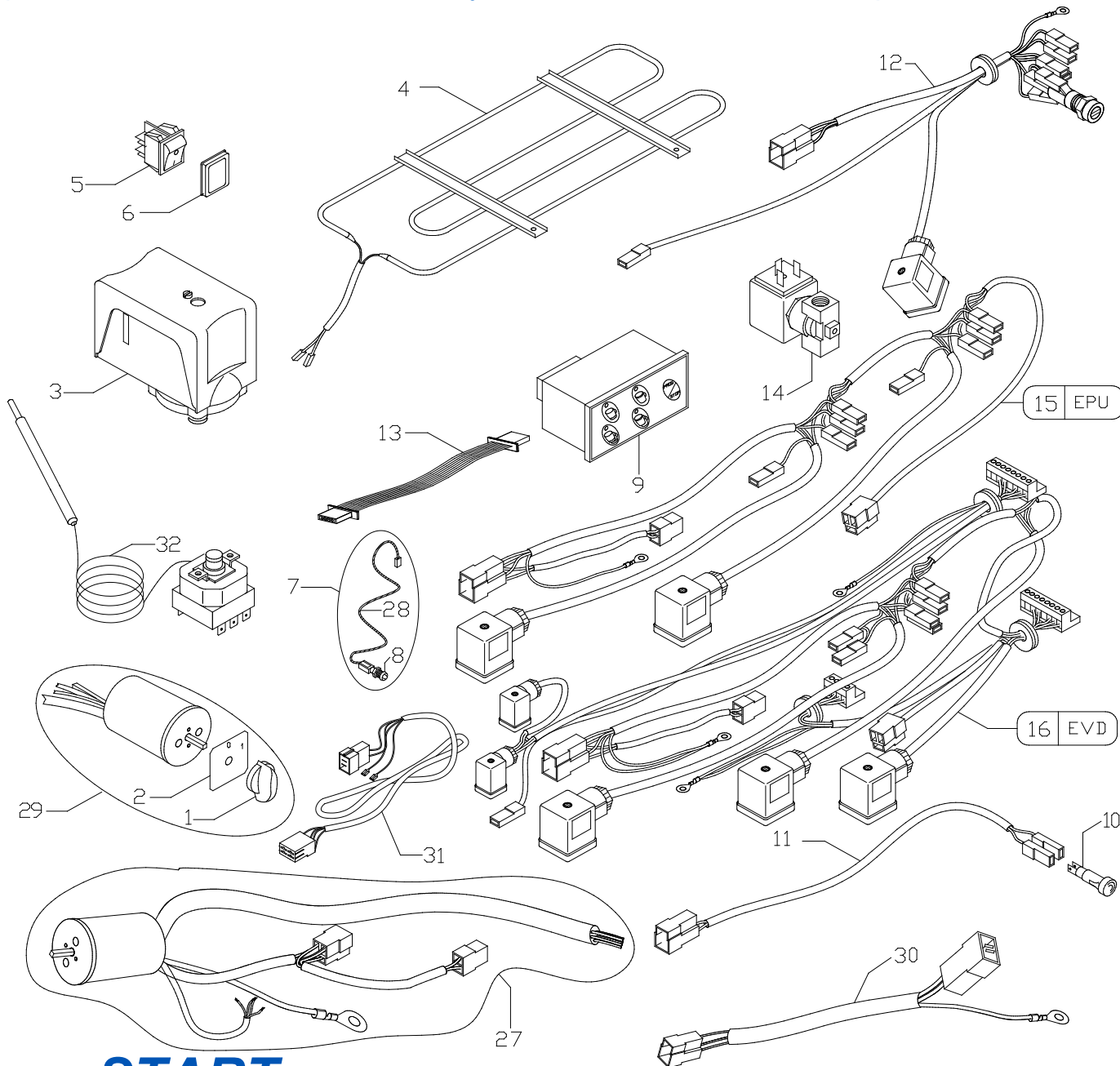
IMPIANTO ELETTRICO

ELETRICAL SYSTEM

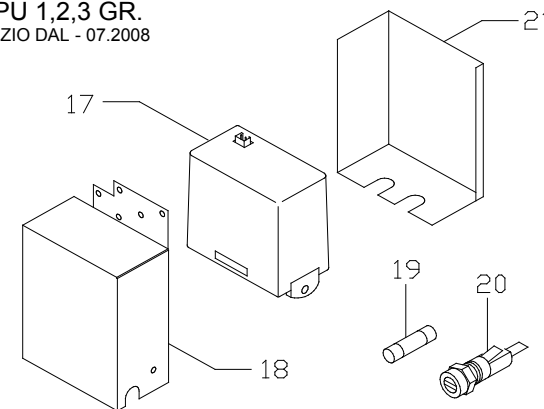
CIRCUIT ELECTRIQUE

STROM ANLAGE

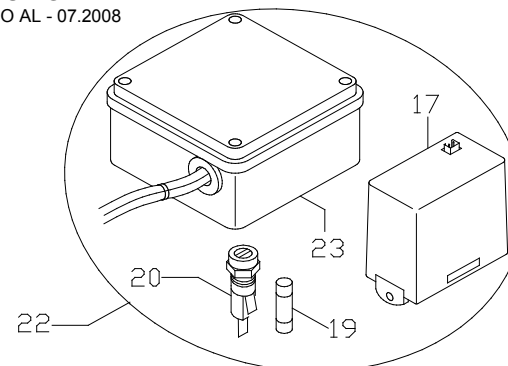
**START**



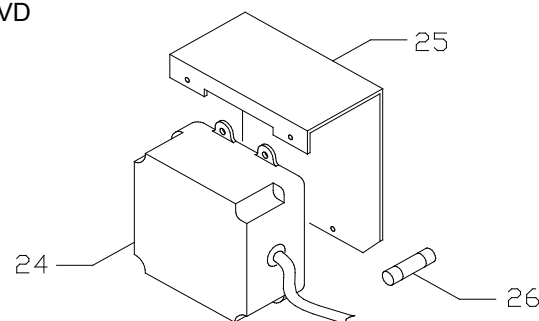
EPU 1,2,3 GR.  
INIZIO DAL - 07.2008



EPU 2GR.  
FINO AL - 07.2008



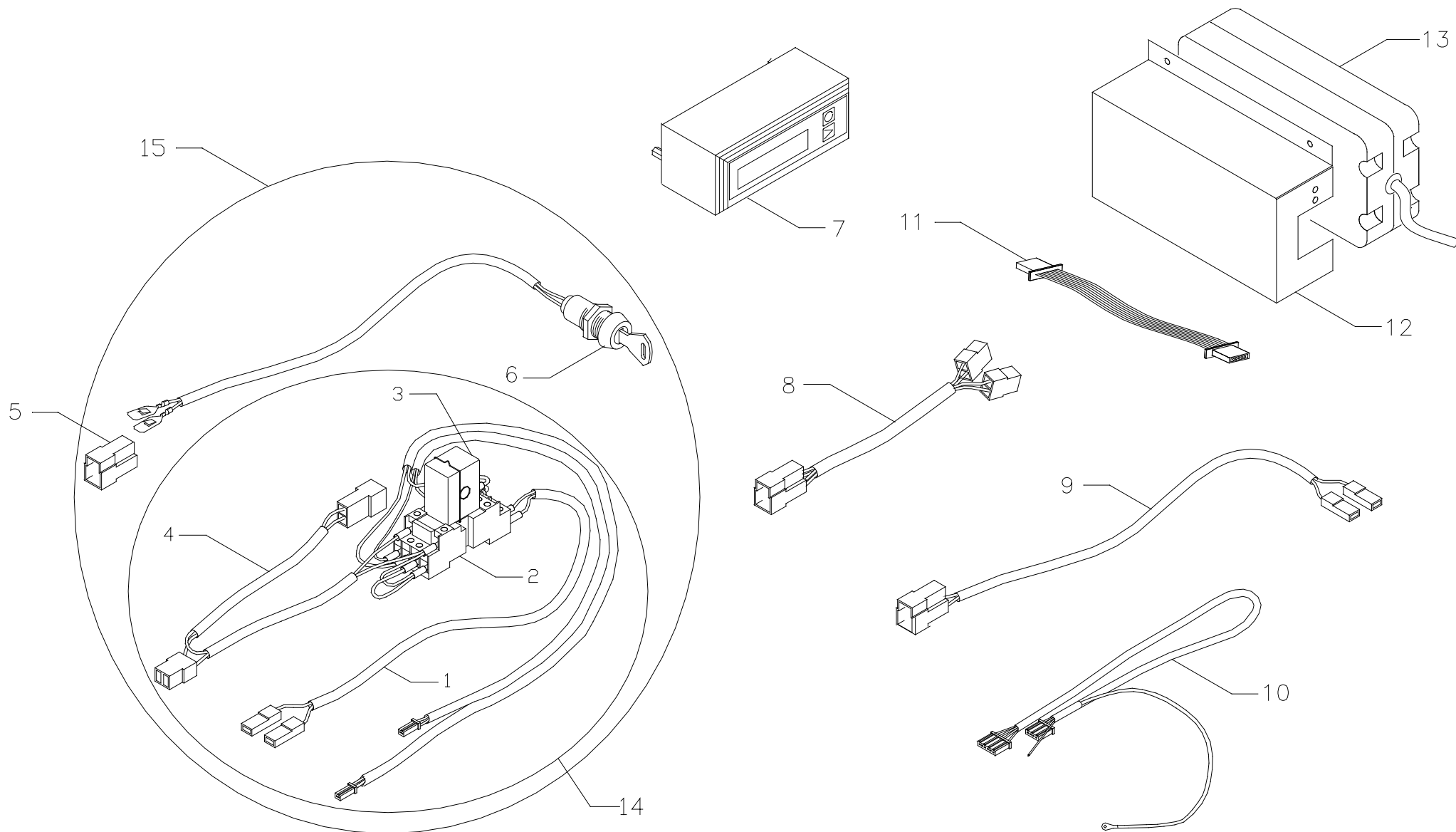
EVD



**START**

## Impianto elettrico EPU/EVD - Eletrical system EPU/EVD - Circuit électrique EPU/EVD - Strom anlage EPU/EVD

| Pos | Cod.     | Denominazione - IT -                       | Denomination - GB -                     | Denomination - FR -                      | Denomination - DE -                      |
|-----|----------|--------------------------------------------|-----------------------------------------|------------------------------------------|------------------------------------------|
| 1   | 15271    | MANOPOLA INTERR.GENERALE BREMAS            | MAIN SWITCH HAND GRIP                   | MANETTE INTERR. GENERAL                  | HAUPTSCHALTERGRIFF                       |
| 2   | 29068    | ETICHETTA ADESIVA '0-1'NERO PLASTICO 58X58 | PLASTIC ADHESIVE PLATE 0-1 58X58        | PLAQUETTE ADHESIVE 0-1 58X58             | KLEBESCHILD 0-1 58X58                    |
| 3   | 20150    | PRESSOSTATO SECCO SIRAI P302/6             | SIRAI P302/6 DRY PRESSURE SWITCH        | PRESSOSTAT SEC SIRAI P302/6              | TROCKENDRUCKWÄCHTER SIRAI P302/6         |
| 4   | 17023    | RESISTENZA 3GR 230V 250W                   | HEATING ELEMENT 3GR 230V 250W           | RESISTANCE 3GR 230V 250W                 | WIDERSTAND 3GR 230V 250W                 |
| 4   | 17022    | RESISTENZA 2GR 230V 200W                   | HEATING ELEMENT 2GR 230V 200W           | RESISTANCE 2GR 230V 200W                 | WIDERSTAND 2GR 230V 200W                 |
| 5   | 18263    | INTERRUTTORE BIP. NERO LED LUMIN.ROSSO B   | BIP. LUMIN. BLACK SWITCH B438C1100G000  | INTER.BIP.LUMIN. NOIR B438C1100G000      | ZWEIP.SCHALTER M. SCHWARZ LEUCHTE B438C1 |
| 6   | 19049    | COPERTURA INTERRUTTORE B4                  | SWITCH COVER B4                         | PROTECTION INTERRUPTEUR                  | SCHALTER ABD. B4                         |
| 7   | 22625    | CAVO 1/2GR RL30/TIMEOUT CON LED            | 1/2 CABLE TIMEOUT UNIT WITH LED         | CABLE 1/2 GR. RL30/TIMEOUT LED           | KABEL 1/2GR. RL30/TIMEOUT MIT LED        |
| 8   | 21024    | LED D5 COLORE ROSSO                        | RED LED D.5                             | LED ROUGE D.5                            | ROTES LED D.5                            |
| 9   | 18371049 | PULSANTIERA 5T                             | TOUCH PAD 5T                            | CLAVIER A TOUCHES 5T                     | DRUCKNOPFTAFEL 5T                        |
| 10  | 21011    | LAMPADA SPIA VERDE 220V 332247030T         | 220V 332247030T GREEN INDICATOR LIG     | AMPOULE TEMOIN VERT 220V 332247030T      | KONTROLLEUCHTE GRÜN 220V 332247030T      |
| 11  | 227181   | CABLAGGIO PROLUNGA LAMPADINA               | WIRING FOR LAMP                         | CABLE PROLONGE LAMPE                     | VERDRAHTUNG LAMPE                        |
| 12  | 22858    | CABLAGGIO AEA 1-4GR                        | CABLE A.W.R. 1-4GR                      | CABLAGE R.E.A. 1-4GR                     | VERDRAHTUNG A.W.F.1-4GR                  |
| 13  | 22627    | CAVO PULSANTIERA 10POLI CM80               | 80 CM CABLE FOR P.BUTTON PANEL          | CABLE CLAVIER 10 POLES 80 CM             | KABEL BEDIENBL. 10 POLIG 80CM            |
| 13  | 22628    | CAVO PULSANTIERA 10POLI CM140              | 140 CM CABLE FOR P.BUTTON PANEL         | CABLE CLAVIER 10 POLES 140 CM            | KABEL BEDIENBL. 10 POLIG 140CM           |
| 14  | 18162002 | ELETTROVALVOLA PRK 230V AEA VDE            | SOL.VALVE WATER REFILL 230V PRK         | ELECTROVANNE REA 230V PRK                | ELEKTROVENTIL AWZ 230V PRK               |
| 14  | 18160052 | ELETTROVALVOLA SIR 230V AEA                | SOL.VALVE WATER REFILL 230V SIR         | ELECTROVANNE REA 230V SIR                | ELEKTROVENTIL AWZ 230V SIR               |
| 15  | 22884    | CABLAGGIO EPU/1 TUV/OVE                    | CABLE EPU/1 TUV/OVE                     | CABLAGE EPU/1 TUV/OVE                    | EPU/1 VERDRAHTUNG TUV/OVE                |
| 15  | 22885    | CABLAGGIO EPU/2 TUV/OVE                    | CABLE EPU/2 TUV/OVE                     | CABLAGE EPU/2 TUV/OVE                    | EPU/2 VERDRAHTUNG TUV/OVE                |
| 15  | 22886    | CABLAGGIO EPU/3 TUV/OVE                    | CABLE EPU/3 TUV/OVE                     | CABLAGE EPU/3 TUV/OVE                    | EPU/3 VERDRAHTUNG TUV/OVE                |
| 16  | 228005   | CABLAGGIO SAE-EVD/1 NEW X PG9              | CABLE SAE-EVD/1 NEW X PG9               | CABLAGE SAE-EVD/1 NEW X PG9              | VERDRAHTUNG SAE-EVD/1 NEW X PG9          |
| 16  | 228006   | CABLAGGIO SAE-EVD/2 NEW X PG9              | CABLE SAE-EVD/2 NEW X PG9               | CABLAGE SAE-EVD/2 NEW X PG9              | VERDRAHTUNG SAE-EVD/2 NEW X PG9          |
| 16  | 228007   | CABLAGGIO SAE-EVD/3 NEW X PG9              | CABLE SAE-EVD/3 NEW X PG9               | CABLAGE SAE-EVD/3 NEW X PG9              | VERDRAHTUNG SAE-EVD/3 NEW X PG9          |
| 17  | 18080001 | REGOLATORE LIVELLO RL30/T.O.220/240V 917   | LEVEL CONTROL RL30/T.O.220/240V         | CONTROLE NIVEAU RL30/T.O.220/240V        | WASSERNIVEAUREGLER RL30/TO 220/240V      |
| 18  | 78200    | SUPPORTO AEA RL30 X TUTTI I TELAI MODUL    | AWR BEARING RL30XALL MODUL.FRAMES       | SUPPORT REA RL30 POUR TOUS CHASSIS MOD.  | AWF HALTER RL30XFUR ALLE MOD.RAHMEN      |
| 19  | 19101    | FUSIBILE 5X20 2A SF520220 OMEGA            | FUSE OMEGA 5X20 2A SF520220             | FUSIBLE OMEGA 5X20 2A SF520220           | SCHMELZSICH.OMEGA 5X20 2A SF520220       |
| 20  | 19122    | PORTAFUSIBILE P2300 10A 250V OMEGA         | FUSE HOLDER P2300 10A 250V OMEGA        | PORTE-FUSIBLE P2300 10A 250V OMEGA       | SICHERUNGSHALTER P2300 10A 250V OM.      |
| 21  | 77691F   | PROTEZIONE CENTRALINA RL30 PER SUPP.7820   | RL30 GEARCASE PROTECTION FOR SUPP.78200 | PROTECTION RL30                          | SCHUTZGITTER RL30                        |
| 22  | 56302001 | ASS.SCATOLA AEA CENT/CABL 230V             | AEA BOX UNIT 230V                       | ENSEMBLE BOITE AEA 230V                  | AEA BEHALTER BAUGRUPPE 230V              |
| 23  | 15373100 | SCATOLA RL 30                              | RL 30 BOX                               | BOITE RL 30                              | RL 30 BEHALTER                           |
| 24  | 18090031 | CENTRALINA 1-3GR 230V RL3                  | CONTROL UNIT 1-3GR 230V RL3             | CENTR. 1-3GR. 230V RL3                   | EINHEIT 1-3GR 230V RL3                   |
| 25  | 78152002 | SUPP.CENTRALINA RL3 TELAIO START           | GEARCASE BEARING JUN - FRAME ARG.       | SUPPORT CENTRALE JUN-CHASSIS ARG.        | STEUERUNG HALTER JUN-RAHMEN ARG.         |
| 26  | 19104    | FUSIBILE OMEGA 5X20 T-10A                  | FUSE OMEGA 5X20 T-10A                   | FUSIBLE OMEGA 5X20 T-10A                 | SCHMELZSICHERUNG OMEGA 5X20 T-10A        |
| 27  | 22927    | INTERRUTTORE 1-2GR 3F+N 18212 D2.5         | END FLOAT SWITCH 1-2GR 4 PH             | INTER. ASSEMBLE 1-2GR 4 PH               | SCHALTER SATZ 1-2 GR 4 PH                |
| 27  | 22933    | INTERRUTTORE 3-4GR 3F+N 18214 D4           | END FLOAT SWITCH 3-4GR 4 PH             | INTER. ASSEMBLE 3-4GR 4 PH               | SCHALTER SATZ 3-4 GR 4 PH                |
| 28  | 22625001 | CAVO 1/2GR RL30/TIMEOUT SENZA LED          | 1/2 CABLE TIMEOUT UNIT WITHOUT LED      | CABLE 1/2 GR. RL30/TIMEOUT SANS LED      | KABEL 1/2GR. RL30/TIMEOUT OHNE LED       |
| 29  | 18205    | INTERR.BREMAS A20.04 CA0170004.328         | BREMAS SWITCH A20.04 CA0170004          | INTER. BREMAS A20.04 CA0170004           | SCHALTER BREMAS A20.04 CA0170004         |
| 29  | 18206    | INTERRUTTORE BREMAS A32.02 CA0250002.288   | BREMAS SWITCH A32.02 CA0250002.288      | INTERRUPTEUR BREMAS A32.02 CA0250002.288 | SCHALTER BREMAS A32.02 CA0250002.288     |
| 30  | 22717301 | CABL.ALIM.MOT.RPM 120W NORMALE             | CABLE SUPPLY MOTOR RPM 120W             | CABLE ALIMENTER MOTEUR RPM 120W          | KABEL DER FÜHREN MOTOR RPM 120W          |
| 31  | 227173   | CABL.ALIMENTAZIONE M.I. NORMALE            | CABLE SUPPLY M.I.                       | CABLE ALIMENTER M.I.                     | KABEL DER FÜHREN M.I.                    |



**START**

| Pos | Cod.     | Denominazione - IT -                     | Denomination - GB -                | Denomination - FR -                       | Denomination - DE -                       |
|-----|----------|------------------------------------------|------------------------------------|-------------------------------------------|-------------------------------------------|
| 1   | 22715816 | CABLAGGIO INTERRUTTORE PP+DISPLAY        | CABLE FOR LOW LEVEL PROBE          | CABLE INTERRUPTEUR                        | SCHALTER KABEL                            |
| 2   | 18454101 | ZOCCOLO 4C RELAIS 9474                   | RELAY CONNECTION BLOCK 4C 9474     | SOCLE DE CONNECTEUR RELAIS 4C 9474        | SOCKEL RELAIS 4C 9474                     |
| 3   | 18460003 | RELAIS 4C 230V 55.34.8.230.0054          | RELAY 4C 230V 55.34.8.230.0054     | RELAIS 4C 230V 55.34.8.230.0054           | RELAIS 4C 230V 55.34.8.230.0054           |
| 4   | 22715815 | CABLAGGIO ALIMENTAZIONE RELAIS PP+DISPLA | RELAY CABLE + DISPLAY              | CABLAGE RELAIS + DISPLAY                  | RELAIS KABEL + DISPLAY                    |
| 5   | 15073    | CONN.2VIE PORTA M+FASTON                 | CONNECTOR 2V + FASTON              | CONNECTEUR 2V + FASTON                    | VERKABELUNG STECKVERBINDUNG 2V + FASTON   |
| 6   | 22715814 | CABLAGGIO COMPLETO DI BLOCCO CHIAVI      | CABLE FOR LOW LEVEL PROBE          | CABLAGE CLE                               | SCHLUSSEL KABEL                           |
| 7   | 26020    | CONTABATTUTE CON DISPLAY 01.43.0021      | DISPLAY 01.43.0021                 | DISPLAY 01.43.0021                        | DISPLAY 01.43.0021                        |
| 8   | 227178   | CABLAGGIO SDOPPIATORE USCITA WE          | CABLE CONNECTION                   | CABLAGE JONCTION                          | VERDRAHTUNG VERBINDUNG                    |
| 9   | 227181   | CABLAGGIO PROLUNGA LAMPADINA             | WIRING FOR LAMP                    | CABLE PROLONGE LAMPE                      | VERDRAHTUNG LAMPE                         |
| 10  | 22540001 | CAVO MULTIVIE PER CONTABATTUTE SCHERMATO | MULTIWAYS WIRE COFFEE COUNTER      | CABLAGE COMPTE-COUPS                      | KABEL KAFFEEZAEHLER                       |
| 11  | 22627    | CAVO PULSANTIERA 10 POLI 80CM            | 80 CM CONNECTOR FOR P.BUTTON PANEL | CABLE CLAVIER 10 POLES 80 CM              | KABEL BEDIENBL. 10 POLIG 80CM             |
| 11  | 22628    | CAVO PULSANTIERA 10 POLI 140CM           | 140 CM CABLE FOR P.BUTTON PANEL    | CABLE CLAVIER 10 POLES 140 CM             | KABEL BEDIENBL. 10 POLIG 140CM            |
| 12  | 78151    | SUPPORTO CENTRALINA SAE                  | CONTROL UNIT SUPPORT SAE FRAME A/W | SUPPORT CENTRALE SAE CHASSIS AW           | STEUERUNG-HALTER SAE RAHMEN A/W           |
| 13  | 18090016 | CENTRALINA 1>3GR UL ES 230V DOS S        | CONTROL UNIT 1>3GR UL ES 230V      | CENTR.1>3GR UL ES 230V DOS S              | EINHEIT 1>3GR UL ES 230V DOS S            |
| 14  | 22715837 | CABLAGGIO RELAIS -CHIAVI PER DISPLAY     | WIRING RELAIS -KEYS FOR DISPLAY    | RELAIS DE CABLAGE -CLEFS POUR L`AFFICHAGE | VERDRAHTUNG RELAIS -SCHLUSSEL FUR ANZEIGE |
| 15  | 22715820 | CABLAGGIO RELAIS +CHIAVI PER DISPLAY     | WIRING RELAIS +KEYS FOR DISPLAY    | RELAIS DE CABLAGE +CLEFS POUR L`AFFICHAGE | VERDRAHTUNG RELAIS +SCHLUSSEL FUR ANZEIGE |

# MOT

## INDICE - INDEX - SOMMAIRE - VERZEICHNIS

rev.

**MOT-70**

MOTOPOMPA - MOTOR PUMP  
MOTOPOMPE - MOTOR PUMP

1,2 GR

**00**  
04/2013

**MOT-71**

MOTOPOMPA - MOTOR PUMP  
MOTOPOMPE - MOTOR PUMP

3 GR

**01**  
11/2013

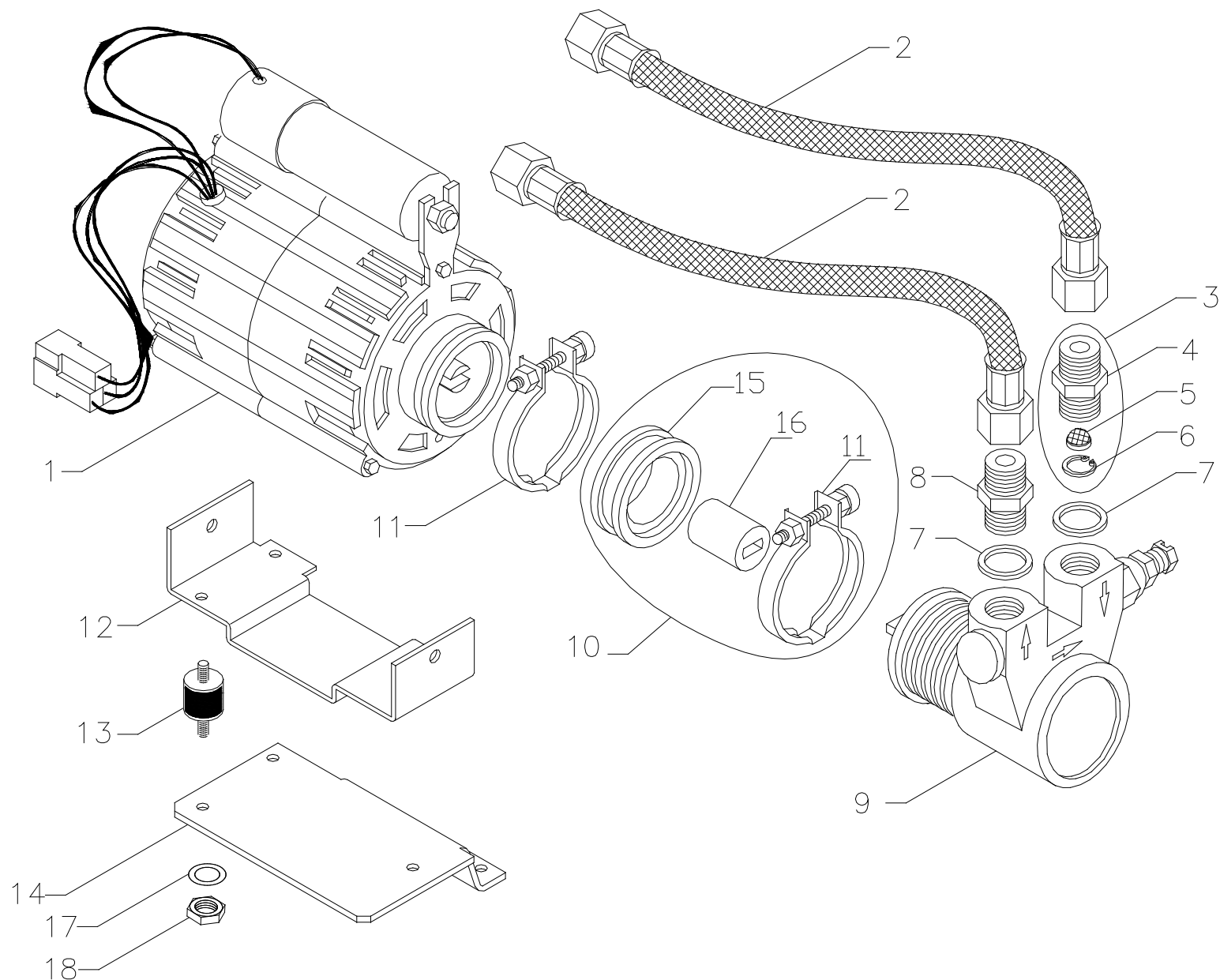
MOTOPOMPA

MOTOR PUMP

MOTOPOMPE

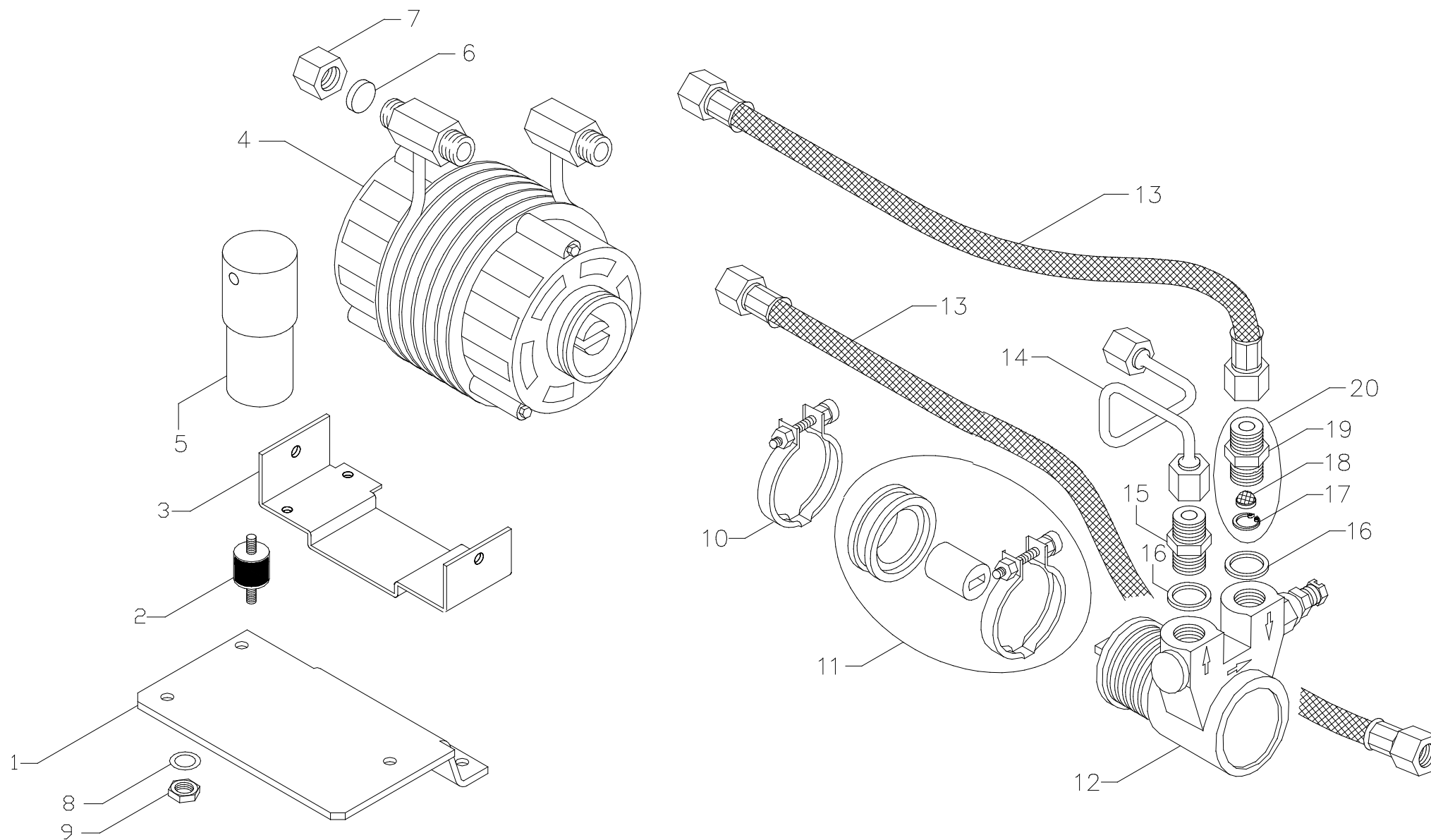
MOTOR PUMP

**START**



| Pos | Cod.      | Denominazione - IT -                     | Denomination - GB -                     | Denomination - FR -                     | Denomination - DE -                     |
|-----|-----------|------------------------------------------|-----------------------------------------|-----------------------------------------|-----------------------------------------|
| 1   | 18303     | MOTORE R.P.M. 230V 120W - 1GR            | MOTOR R.P.M. 230V 120W 1GR              | MOTEUR R.P.M. 230V 120W 1GR             | MOTOR R.P.M. 230V 120W 1GR              |
| 1   | 18303001  | MOTORE R.P.M. 230V 150W - 2-3GR          | MOTOR R.P.M. 230V 150W 2-3GR            | MOTEUR R.P.M. 230V 150W 2-3 GR          | MOTOR R.P.M. 230V 150W 2-3GR            |
| 2   | 30404     | TUBOFLEX 3/8FF P.GOMMA CON. L45 NI       | 3/8 FEMALE L45 FLEX PIPE CONICAL HOSE F | TUYAU FLEX 3/8 FF L45 PORTE-TUYAU       | SCHLAUCH 3/8 AUFNAHMETUR L45 GUMMI KONI |
| 3   | 56116     | RACCORDO 3/8+3/8 MOTOPOMPA ASSIEME       | CONNECTOR 3/8+3/8 PUMP ASSEMBLY         | RACCORD 3/8 + 3/8 ENS. MOTOPOMPE        | ANSCHLUSS 3/8 + 3/8 MOTORP. ZUSAMMEN    |
| 4   | 25732     | RACCORDO 3/8X3/8 + SEDE FILTRO           | 3/8X3/8 FITTING + FILTER HOUSING        | RACCORD 3/8X3/8 + LOG. FILTRE           | ANSCHLUSS 3/8X3/8 + FILTERSITZ          |
| 5   | 10254     | FILTRO ACCIAIO 160-200 MESH              | STEEL FILTER 160-200 MESH               | FILTRE EN ACIER 160-200 MESH            | STAHLFILTER 160-200 MESH                |
| 6   | 10005     | ANELLO DI ARRESTO INOX DIN472 D11        | DIN472 D11 STAINLESS STEEL STOP RING    | ANNEAU DE BUTEE INOX DIN472 D11         | DRAHTSPRENGRING ROSTFREI DIN472 D11     |
| 7   | 12154     | GUARNIZIONE CU 3/8 22X17X1.5             | 3/8 22X17X1.5 COPPER SEAL               | JOINT CUIVRE 3/8 22X17X1.5              | KUPFERDICHTUNG 3/8 22X17X1.5            |
| 8   | 25687     | RACCORDO 3/8X3/8 GAS                     | 3/8X3/8 GAS FITTING                     | RACCORD 3/8X3/8 GAZ                     | ANSCHLUSS 3/8X3/8 GAS                   |
| 9   | 26303001  | POMPA FLUID-O-TECH PO 104 NFS 3/8G       | PUMP FLUID-O-TECH PO 104 NSF 3/8G       | POMPE FLUID-O-TECH P0104 NFS 3/8G       | PUMPE FLUID-O-TECH PO 104 NFS 3/8G      |
| 10  | 83260016R | KIT DISACCOPIAMENTO MOTORE-POMPA         | KIT COUPLING MOTOR-PUMP                 | KIT ACCOUPLEMENT MOTEUR-POMPE           | KIT MOTOR-PUMPE KUPPLUNG                |
| 11  | 26310003  | FASCETTA GIUNZIONE MOTORE-POMPA          | CLAMP MOTOR-PUMP                        | BANDE MOTEUR-POMPE                      | SCHELLE MOTOR-PUMPE                     |
| 12  | 78174     | SUPPORTO MOTORE INCORPORATO R.P.M.       | MOTOR BEAR. RPM                         | SUPPORT MOT. RPM                        | EINGEBAUTER MOTORHALTER RPM             |
| 13  | 15105     | GOMMA AMMORTIZZATORE X MOTORE RAF.H2O ZE | RUBBER FOR WATER COOLED MOTOR ZEC.      | CAOUTCHOUC POUR MOTEUR REFROID.EAU ZEC. | GUMMI X WASSERGEKÜHLTER MOTOR ZEC.      |
| 14  | 78174000  | SUPP.MOTORE RPM 120W TELAIO START        | MOTOR BEAR. RPM                         | SUPPORT MOT. RPM                        | EINGEBAUTER MOTORHALTER RPM             |
| 15  | 15006010  | DISTANZIALE POMPA MOTORE RPM             | SPACING BAR RPM MOTOR PUMP              | ENTRETOISE POMPE                        | DISTANZSTUECK MOTOR-PUMPE               |
| 16  | 15006011  | GIUNTO POMPA MOTORE RPM                  | RPM MOTOR PUMP JOINT                    | JOINT DE POMPE                          | KUPPLUNG PUMPE-MOTOR                    |
| 17  | 23261     | RONDELLA INOX DENTELLATA D4              | INOX WASHER D4                          | RONDELLE INOX D4                        | STHAL SCHEIBE D4                        |
| 18  | 23030     | DADO INOX M4 UNI 5587 A2                 | S.STEEL NUT M4 UNI 5587 A2              | ECROU INOX M4 UNI 5587 A2               | SCHRAUBENMUTTER INOX M4 UNI 5587 A2     |





**START**

| Pos | Cod.      | Denominazione - IT -               | Denomination - GB -                  | Denomination - FR -                 | Denomination - DE -                 |
|-----|-----------|------------------------------------|--------------------------------------|-------------------------------------|-------------------------------------|
| 1   | 78174000  | SUPP.MOTORE RPM 120W TELAIO START  | MOTOR BEAR. RPM                      | SUPPORT MOT. RPM                    | EINGEBAUTER MOTORHALTER RPM         |
| 2   | 15105     | GOMMA AMMORTIZ.X MOTORE RAF.H2     | RUBBER FOR WATER COOLED MOTOR ZEC.   | CAOUTCH.POUR MOTEUR REFR.CID.EAU ZE | GUMMI x WASSERGEKHLTER MOTOR ZEC    |
| 3   | 78174000  | SUPP.MOTORE RPM 120W TELAIO START  | MOTOR BEAR. RPM                      | SUPPORT MOT. RPM                    | EINGEBAUTER MOTORHALTER RPM         |
| 4   | 56406     | MOTORE RPM NI 230V 50/60HZ H20 ASS | MOTOR RPM 230V 50/60HZ H20           | MOTEUR RPM 230V 50/60HZ H20         | MOTOR RPM 230V 50/60HZ H20          |
| 5   | 19062001  | CONDENSATORE MOTORE 230V 7UF       | MOTOR CAPACITOR 230V 7UF             | CONDENSATEUR MOTEUR 230V 7UF        | KONDENSATOR MOTOR 230V 7UF          |
| 6   | 12007     | GUARNIZIONE KLINGERSIL4400         | KLINGERSIL4400 SEAL JOINT            | KLINGERSIL4400 POUR BOUCHON         | DICHTUNG KLINGER SIL4400 X DECKEL   |
| 7   | 25782     | TAPPO FEMMINA 1/4 GAS              | 1/4 GAS FEMALE TAP                   | BOUCHON FEMELLE 1/4 GAZ             | INNENANSCHLUSSSTÖPSEL 1/4 GAS       |
| 8   | 23261     | RONDELLA INOX DENTELLATA D4        | INOX WASHER D4                       | RONDELLE INOX D4                    | STHAL SCHEIBE D4                    |
| 9   | 23030     | DADO INOX M4 UNI 5587              | NUT S.STEEL M4 UNI 5587              | ECROU INOX M4 UNI 5587 A2           | SCHRAUBENMUTTER INOX M4 UNI 5587 A2 |
| 10  | 26310003  | FASCETTA GIUNZIONE MOTORE-POMPA    | CLAMP MOTOR-PUMP                     | BANDE MOTEUR-POMPE                  | SHELLE MOTOR-PUMPE                  |
| 11  | 83260016R | KIT DISACCOPIAMENTO MOTORE POMPA   | KIT COUPLING MOTOR-PUMP              | ENSEMBLE DECOUPLAGE MOTEUR POMPE    | KIT MOTOR-PUMPE KUPPLUNG            |
| 12  | 26303     | POMPA FLUID-0-TECH PO 204 BY PASS  | PO 204 BY PASS PUMP ETL              | POMPE PO 204 BY PASS ETL            | PUMPE PO 204 BY PASS ETL            |
| 13  | 30404     | TUBOFLEX 3/8FF P.GOMMA CON. L45 NI | 3/8FEMALE L45 FLEX PIPE CONICAL HOSE | TUYAU FLEX 3/8 FF L45 PORTE-TUYAU   | SCHLAUCH 3/8 AUFNAHMETÜR L45 GUMMI  |
| 14  | 52002814  | TBS.D-6 L.200 1-4GR W 109 POMPA    | TUBE D-6 L.225 1-4GR W 109           | TUYAU D-6 L.225 1-4GR W 109         | ROHR D-6 L225 1-4GR W 109           |
| 15  | 25687     | RACCORDO 3/8X3/8 GAS               | 3/8X3/8 GAS FITTING                  | RACCORD 3/8X3/8 GAZ                 | ANSCHLUSS 3/8X3/8 GAS               |
| 16  | 12154     | GUARNIZIONE CU 3/8 22X17X1.5       | GASKET, COPPER 3/8 22X17X1,5         | JOINT CUIVRE 3/8 22X17X1.5          | KUPFERDICHTUNG 3/8 22X17X1.5        |
| 17  | 10005     | ANELLO DI ARRESTO INOX DIN472 D11  | DIN472 D11 STAINLESS STEEL STOP RING | ANNEAU DE BUTEE INOX DIN472 D11     | DRAHTSPRENGRING ROSTFREI DIN472 D11 |
| 18  | 10254     | FILTRO ACCIAIO 160-200 MESH        | STEEL FILTER 160-200 MESH            | FILTRE EN ACIER 160-200 MESH        | STAHLFILTER 160-200 MESH            |
| 19  | 25732     | RACCORDO 3/8X3/8 + SEDE FILTRO     | 3/8X3/8 FITTING + FILTER HOUSING     | RACCORD 3/8X3/8 + LOG. FILTRE       | ANSCHLUSS 3/8X3/8 + FILTERSITZ      |
| 20  | 56116     | RACCORDO 3/8+3/8 MOTOPOMPA ASSIEME | CONNECTOR 3/8+3/8 PUMP ASSEMBLY      | RACCORD 3/8 + 3/8 ENS. MOTOPOMPE    | ANSCHLUSS 3/8 + 3/8 MOTORP.ZUSAMMEN |

**ADD**

**INDICE - INDEX - SOMMAIRE - VERZEICHNIS**

rev.

**ADD-80**

ADDOLCITORI - WATER SOFTENER  
ADOUCCISSEUR - ENTHARTER

**02**  
01/2013

ADDOLCITORI

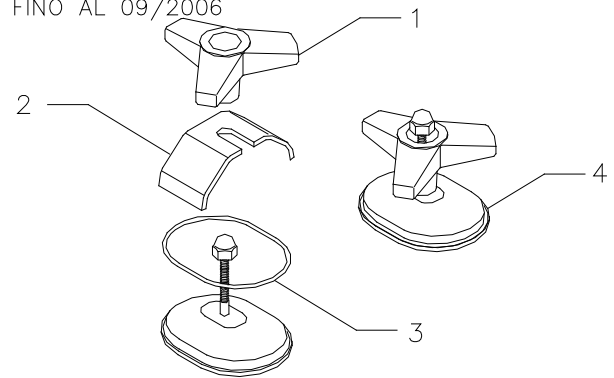
WATER SOFTENER

ADOUCCISSEUR

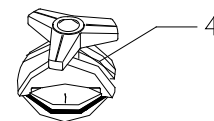
ENTHARTER

**START**

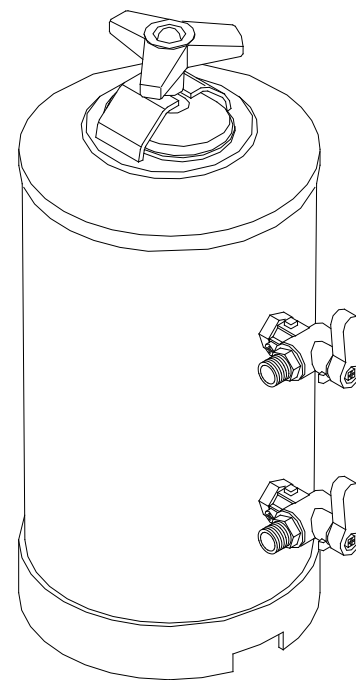
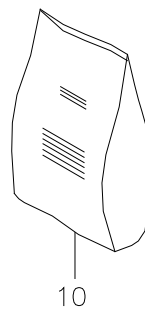
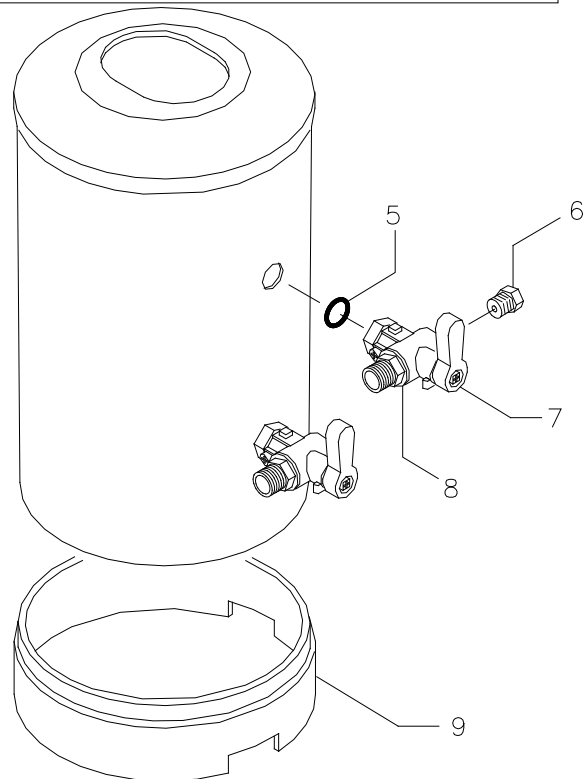
FINO AL 09/2006



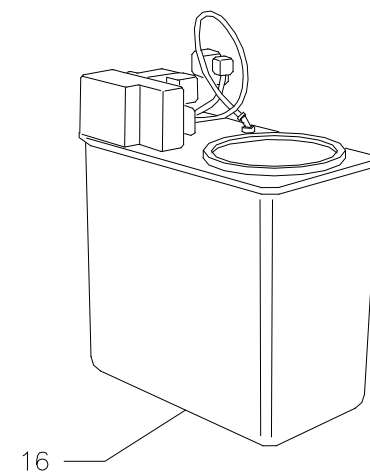
INIZIO DAL 09/2006



AUTOMATICO—AUTOMATIC  
AUTOMATIQUE—AUTOMATISCHE



|    |       |
|----|-------|
| 11 | 5 LT  |
| 12 | 8 LT  |
| 13 | 12 LT |
| 14 | 16 LT |
| 15 | 20 LT |



| Pos Cod.    | Denominazione - IT -                | Denomination - GB -             | Denomination - FR -                 | Denomination - DE -             |
|-------------|-------------------------------------|---------------------------------|-------------------------------------|---------------------------------|
| 1 28205     | MANOPOLA TAPPO ADDOLCITORE C9       | SOFTENER TOP PLASTIC KNOB       | POIGNEE BOUCHON ADOUCISSEUR         | ENTKALKER HANDGRIFF             |
| 2 28324000  | STAFFA TAPPO ADDOLCITORE C17        | BRACKET CAP FOR SOFTENER        | MEULE BOUCHON ADOUCISSEUR           | BUGEL ENTKALKER                 |
| 3 12410     | GUARNIZIONE X TAPPO ADDOLCITORE     | GASKET X WATER SOFTENER CAP     | JOINT X BOUCHON ADOUCISSEUR         | DICHTUNG X ENTKALKERSTOPFEN     |
| 4 28205001  | TAPPO ADDOLCITORE COMPLETO C20      | SOFTENER COMLETE TOP LID        | BOUCHON ADOUCISSEUR                 | DECKEL FUER ENTKAELKER          |
| 5 12300     | GU OR 113 HNBR 70SH VERDE           | O RING GASKET 113 NBR/70        | JOINT OR 113 NBR/70                 | OR-DICHTUNG 113 NBR/70          |
| 6 10320500  | GIGLER OT x ADD. M6 FORO D-1 R13    | SOFTENER LOWER TAP GIGLEUR      | GICLEUR LAITON POUR ADOU. M6 x D-1  | VERMESSINGTE ENTKALKER M6 D-1   |
| 7 28203     | MANOPOLA ROSSA RUBINETTO ADDOLCIT.  | RED HANDLE x WATER SOFTENER TAP | POIGNEE ROUGE x ROBINET ADOUCISSEUR | ROTER HANDGRIFF x ENTKALKERHAHN |
| 8 28284     | RUBINETTO PER ADDOLCITORE+MANOPOLA  | TAP FOR SOFTENER                | ROBINET POUR ADOUCISSEUR            | HAHN FR ENTHRTER                |
| 9 28072     | FONDELLO ADDOLCITORE                | SOFTENER PLASTIC LOWER BASE     | CULOT ADOUCISSEUR                   | BODEN ENTKALKER                 |
| 10 28283    | SACCO RESINA PER ADDOLCITORE 25 kg. | SOFTENER RESIN 25 kg.           | RESINE ADOUCISSEUR 25 kg.           | KUNSTHARZ FUR ENTKALKER 25 kg.  |
| 11 26029    | ADDOLCITORE DVA LT 5                | DVA 5 LT WATER SOFTENER LT 5    | ADOUCISSEUR DVA LT 5                | ENTKAELKER DVA LT 5             |
| 12 26030    | ADDOLCITORE DVA LT 8                | DVA 8 LT WATER SOFTENER L T8    | ADOUCISSEUR DVA LT 8                | ENTHRTER DVA LT 8               |
| 13 26031    | ADDOLCITORE DVA LT 12               | DVA 12 LT WATER SOFTENER LT 12  | ADOUCISSEUR DVA LT 12               | ENTHRTER DVA LT 12              |
| 14 26032    | ADDOLCITORE DVA LT 16               | DVA 16 LT WATER SOFTENER LT 16  | ADOUCISSEUR DVA LT 16               | ENTHRTER DVA LT 16              |
| 15 26038011 | ADDOLCITORE DVA LT 20               | DVA 20 LT WATER SOFTENER LT 20  | ADOUCISSEUR DVA LT 20               | ENTHRTER DVA LT 20              |
| 16 16 26037 | ADDOLC.AUT.CABIN.LT 8 DM 01 3/8"    | AUTOMATIC WATER SOFTENER LT 8   | ADOUCISSEUR AUTOMATIQUE LT 8        | AUTOMATISCHE ENTHARTER DVA LT 8 |
| 16 26037005 | ADDOLC.AUT.CABIN.LT 8 3/8"          | AUTOMATIC WATER SOFTENER LT 8   | ADOUCISSEUR AUTOMATIQUE LT 8        | AUTOMATISCHE ENTHARTER DVA LT 8 |

## INDICE - INDEX - SOMMAIRE - VERZEICHNIS

rev.

**FPTW-90**

FILTRI E PORTAFILTRI - FILTERS & FILTER SUPPORT  
FILTRE ET PORTE FILTRE - FILTER UND FILTERHALTERUNG

**01**  
01/2013

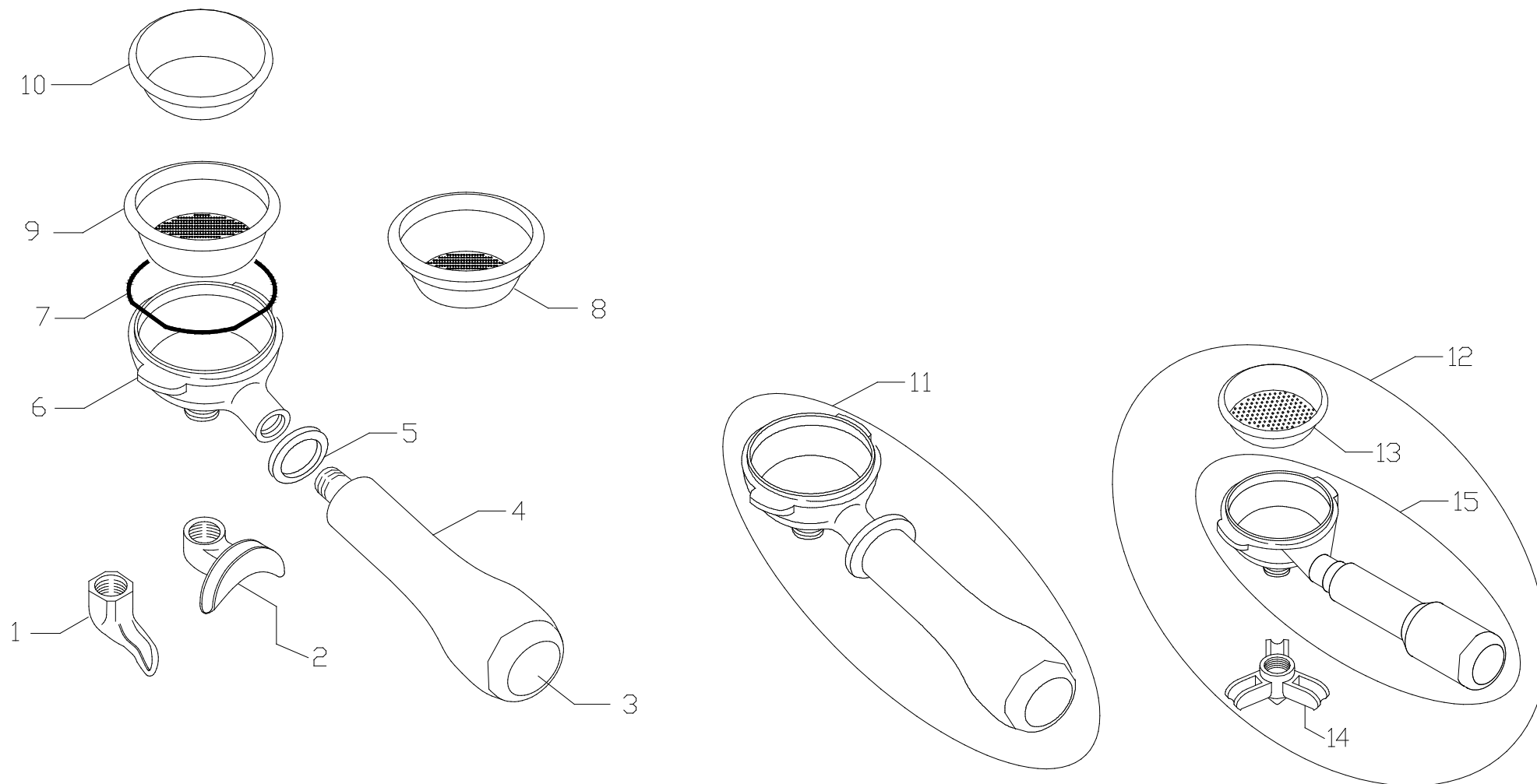
FILTRI E  
PORTAFILTRI

FILTERS &  
FILTER SUPPORT

FILTRE ET  
PORTE FILTRE

FILTER UND  
FILTERHALTERUNG

# START



**START**

| Pos | Cod.     | Denominazione - IT -                  | Denomination - GB -                      | Denomination - FR -                | Denomination - DE -                  |
|-----|----------|---------------------------------------|------------------------------------------|------------------------------------|--------------------------------------|
| 1   | 27032001 | BECCUCCIO OTT/NI 1 TAZZA              | BRASS SPOUT/NI 1 LONG CUP                | BEC LAITON/NICKELE 1 TASSE LONG    | AUSGUSS MESSING/NICKEL 1 TASSE LANG  |
| 2   | 27042001 | BECCUCCIO OTT/NI 2 TAZZE              | 2 CUPS BRASS/NICKEL SPOUT                | BEC 2 TASSES LAITON/NICKEL         | MESSING/NICK. SCHNABEL FÜR 2 TASSEN  |
| 3   | 15486006 | TAPPO MANOPOLA PORTAFILTRO CROMATO    | CAP FILTER HOLDER KNOB                   | BOUCHON POIGNEE PORTE-FILTRE       | GRIFFVERSCHLUSS FILTERHALTER         |
| 4   | 15263010 | MANOPOLA PORTAFILTRO NERA+INSERTO M12 | FILTER HOLDER KNOB                       | POIGNEE PORTE-FILTRE               | FILTERHALTER GRIFF                   |
| 5   | 15296010 | GHIERA ANTISCOTTATURA MANOPOLA        | ANTI-SCORCH PLASTIC RING                 | RONDELLE ANTI-BRULURE POUR POIGNEE | RING FUER SIEBTRAEGER                |
| 6   | 27311011 | PORTAFILTRO LAV.+ CROM.               | FILTER HOLDER                            | PORTE-FILTRE                       | FILTERGRIFF                          |
| 7   | 27255    | MOLLA FERMAFILTRO D-1,2               | FILTER HOLDER SPRING                     | RESSORT FERME-FILTRE               | FEDER FUR FILTERHALTER               |
| 8   | 27142    | FILTRO INOX 1 TAZZA E/61 + CANALINO   | E/61 1 CUP STAINLESS STEEL FILTER+DUCT   | FILTRE INOX 1 TASSE E/61 + RIGOLE  | EDELSTAHL-FILTER 1 TASSE E/61 +FUE   |
| 9   | 27171    | FILTRO INOX 2 TAZZE E/61 + CANALINO   | E/61 2 CUP STAINLESS STEEL FILTER + DUCT | FILTRE INOX 2 TASSES E/61 + RIGOLE | EDELSTAHL-FILTER 2 TASSEN E/61 +     |
| 10  | 27173    | FILTRO INOX 2 TAZZE CIECO             | 2 CUP STAINLESS STEEL CLOSED FILTER      | FILTRE INOX 2 TASSES AVEUGLE       | ROSTFREIER FILTER 2 TASSEN ÖFFNUNG   |
| 11  | 27311010 | PORTAFILTRO LAV.+ CROM.+ MANOPOLA     | FILTER HOLDER + KNOB                     | PORTE-FILTRE                       | FILTERGRIFF                          |
| 12  | 27311061 | PORTAFILTRO 3 TAZZE COMPLETO          | 3 CUPS COMPLETE FILTER HOLDER            | 3 TASSES PORTE-FILTRE COMPLET      | VOLLSTANDIG FILTERGRIFF FUR 3 TASSEN |
| 13  | 27050    | BECCUCCIO OTT/NI 3 TAZZE CORTO        | BRASS SPOUT/NI 3 SHORT CUPS              | BEC LAITON/NICKELE 3 TASSES COU    | AUSGUSS OTT/NI 3 TASSEN KURZ         |
| 14  | 27190    | FILTRO INOX 3 TAZZE 304/28            | 3 CUP STAINLESS STEEL FILTER 304/208     | FILTRE INOX 3 TASSES 304/28        | ROSTFREIER FILTER 3 TASSEN 304/28    |
| 15  | 27305    | PORTAFILTRO                           | FILTER HOLDER                            | PORTE-FILTRE                       | FILTERGRIFF                          |



**ACC**

**INDICE - INDEX - SOMMAIRE - VERZEICHNIS**

rev.

**ACC-100**

ACCESSORI - ACCESSORIES  
ACCESSOIRES - ZUBEHOR

**01**  
10/2013

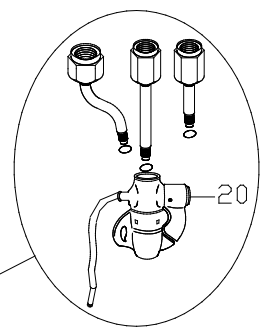
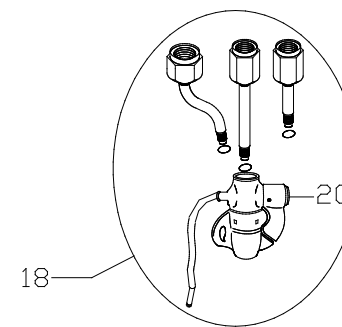
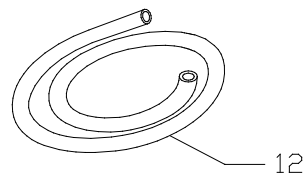
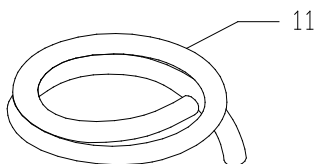
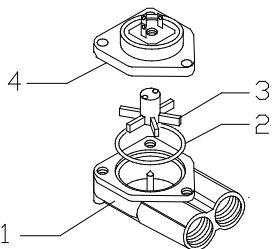
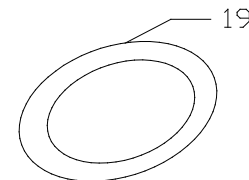
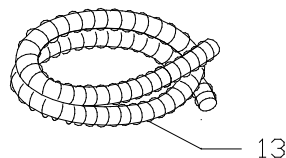
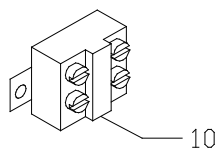
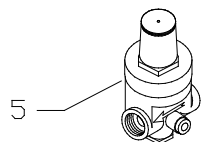
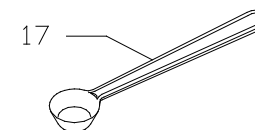
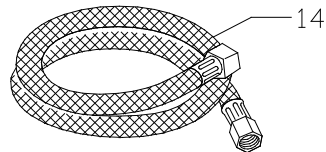
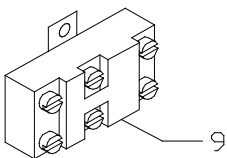
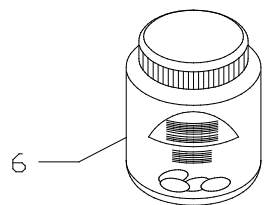
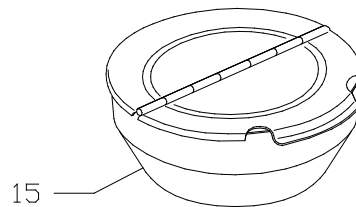
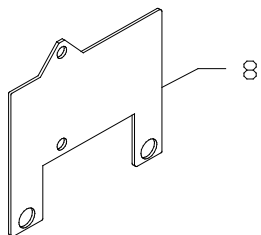
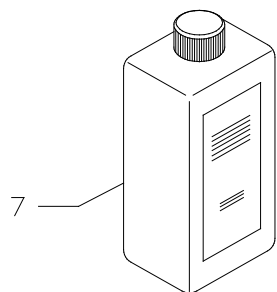
ACCESSORI

ACCESSORIES

ACCESSOIRES

ZUBEHOR

**START**



| Pos | Cod.      | Denominazione - IT -                    | Denomination - GB -                      | Denomination - FR -                 | Denomination - DE -                      |
|-----|-----------|-----------------------------------------|------------------------------------------|-------------------------------------|------------------------------------------|
| 1   | 18121     | CORPO DOSATORE FLOWMETER FH 12          | FH 12 FLOWMETER DOSING BODY              | CORPS DOSEUR FLOWMETER FH 12        | DOSIERKÖRPERFLOWMETER FH 12              |
| 2   | 12315     | GUARNIZIONE OR 2112 28.2X1.78 VITON     | O RING SEAL 28.2X1.78 VITON              | JOINT OR 28.2X1.78 VITON            | O-RINGDICHT.28.2X1.78 VITON              |
| 3   | 15505     | VENTOLINO DOSATORE FLOWMETER            | FLOWMETER DOSING FAN                     | DOSEUR FLOWMETER                    | KL.DOSIERUNGSLAUFRAID FLOWMETER          |
| 4   | 18565     | TESTINA DOSATORE FLOWMETER FH 12        | FH 12 FLOWMETER DOSER HEAD               | TETE DOSEUR FLOWMETER FH 12         | DOSIERERKOPF FLOWMETER FH 12             |
| 5   | 26330     | RIDUTTORE PRESSIONE STANDARD PN25 DN3/8 | STANDARD PRESS. REDUCTOR PN25 DN3        | REDUCTEUR PRESS. STANDARD PN25 DN3/ | DRUCKREDUZIERER STANDARD PN25 DN3/8      |
| 6   | 8452      | DETERGENTE KMR PASTIGLIE CONF.200PZ     | KMR PACK OF 200 TAB                      | DETERG.KMR CONF.200 PASTIL          | REINIGUNGSM. KMR PACK 200 TABL           |
| 7   | 8453      | DETERGENTE V7000 CONF.1LT               | DETERGENT V7000 - 1 LT. PACK             | DETERSIF V7000 DE 1 LT              | REINIGUNGSMITTEL V7000 PACKUNG 1 L       |
| 8   | 77699     | SUPPORTO TERMOSTATI 2030000X            | 2030000X THERMOSTAT SUPPORT              | SUPPORT THERMOSTATS 2030000X        | THERMOSTHALTER 2030000X                  |
| 9   | 20300008  | TERMOSTATO 3P 120C TRECII 67T26 505007  | SAFETY CUT-OUT 3P 120C                   | THERMOSTAT 3P 120C                  | THERMOSTAT 3P 120C                       |
| 10  | 20300006  | TERMOSTATO 2P 120C TRECII 66TM 301631   | SAFETY CUT-OUT 2P 120C                   | THERMOSTAT 2P 120C                  | THERMOSTAT 2P 120C                       |
| 11  | 15458     | TUBO RETINATO CRISTALLINO 16X10         | TUBE 16X10                               | TUYAU 16X10                         | ROHR 16X10                               |
| 12  | 15476     | TUBO SILICONE 5X8 KGXMT 0.044           | 5X8 SILICONE PIPE                        | TUYAU SILICONE 5X8 KGXMT 0.04       | SILIKONROHR 5X8 KGXMT 0.044              |
| 13  | 15470     | TUBO CAVOFLEX D16 SCARICO               | D16 CAVOFLEX DRAIN PIPE                  | TUYAU CAVOFLEX D16 SCARICO          | ABFLUSSROHR CAVOFLEX D16                 |
| 14  | 30401     | TUBOFLEX 1/4FF P.GOMMA CON. L28 NI      | 1/4 FEMALE L28 FLEX PIPE CONICAL HOSE F  | TUYAU FLEX 1/4 FF L28 PORTE-TUYAU   | SCHLAUCH 1/4 AUFNAHMETÜR L28 GUMMI KONI  |
| 14  | 30403     | TUBOFLEX 3/8FF P.GOMMA CON. L33 NI      | 3/8 FEMALE L33 FLEX PIPE CONICAL HOSE F  | TUYAU FLEX 3/8 FF L33 PORTE-TUYAU   | SCHLAUCH 3/8 AUFNAHMETÜR L33 GUMMI KONI  |
| 14  | 30404     | TUBOFLEX 3/8FF P.GOMMA CON. L45 NI      | 3/8 FEMALE L45 FLEX PIPE CONICAL HOSE F  | TUYAU FLEX 3/8 FF L45 PORTE-TUYAU   | SCHLAUCH 3/8 AUFNAHMETÜR L45 GUMMI KONI  |
| 14  | 30407     | TUBOFLEX 3/8FF P.GOMMA CON. L100 NI     | 3/8 FEMALE L100 FLEX PIPE CONICAL HOSE F | TUYAU FLEX 3/8 FF L100 PORTE-TUYAU  | SCHLAUCH 3/8 AUFNAHMETÜR L100 GUMMI KONI |
| 14  | 30408     | TUBOFLEX 3/8FF P.GOMMA CON. L150 NI     | 3/8 FEMALE L150 FLEX PIPE CONICAL HOSE F | TUYAU FLEX 3/8 FF L150 PORTE-TUYAU  | SCHLAUCH 3/8 AUFNAHMETÜR L150 GUMMI KONI |
| 15  | 30300     | ZUCCHIERERA INOX                        | STAINLESS STEEL SUGAR-BOWL               | SUCRIER INOX                        | ZUCKERDOSE ROSTFREI                      |
| 16  | 15420     | PRESSINO CAFFE'                         | COFFEE PRESS                             | PRESSE CAFE                         | EINDRÜCKVORRICHTUNG                      |
| 16  | 241034    | FUSIONE ALLUMINIO 60/82 PRESSINO        | COFFEE PRESS ALUMINIUM                   | PRESSE ALUMINIUM                    | EINDRÜCKVORRICHTUNG ALUMINIUM            |
| 17  | 15290     | MISURINO IN PLASTICA GR.7               | 7 GR PLASTIC MEASURE                     | MESURE EN PLASTIQUE 7 GR.           | PLASTIKMESSBECHER GR.7                   |
| 17  | 30150     | MISURINO ACCIAIO INOX                   | STAINLESS STEEL MEASURE GR.7             | MESURE ACIER INOX 7GR.              | EDELSTAHL-MESSBECHER 7GR.                |
| 18  | 83300012R | KIT CAPPUCCINATORE GPR STANDAR          | KIT CAPPUCCINO MAKER GPR STANDAR         | KIT CAPPUCCINO GPR STANDAR          | KIT CAPPUCCINOGERAET                     |
| 19  | 12008001  | GUARNIZIONE SOTTOCOPPA 72x58x0.5        | GASKET D72x58x0.5                        | JOINT D72x58x0.5                    | DICHTUNG D72x58x0.5                      |
| 20  | 30515000  | CAPPUCCINATORE COMPLETO GPR 0.50.01     | CAPPUCCINATO MAKER GPR COMPLETE          | CAPPUCCINO GPR COMPLET              | CAPPUCCINO ZUBEREITER                    |