

**CSA**

CARROZZERIA - BODY PARTS - CARROSSERIE - KAROSSERIE - CAROSERIE

**RSA**

RUBINETTI ACQUA - TAPS WATER - ROBINETS EAU - WASSERHAHN - ROBINET APA

**RSA**

RUBINETTI VAPORE - TAPS STEAM - ROBINETS VAPEUR - DAMPFHAHN - ROBINET VAPORI

**GRSA**

GRUPPO - GROUP - GROUPE - GRUPPE - GRUP

**CLD**

CALDAIA - BOILER - CHAUDIÈRE - KESSEL - CAZAN

**ISA**

IMPIANTO IDRAULICO - HYDRAULIC CIRCUIT - CIRCUIT HYDRAULIQUE - WASSER ANLAGE - CIRCUIT HIDRAULIC

**ILC**

LIVELLO ACQUA - WATER LEVEL - NIVEAU EAU - WASSER NIVEAU - NIVELUL DE APA

**ELSA**

IMPIANTO ELETTRICO - ELECTRICAL SYSTEM - CIRCUIT ELECTRIQUE - STROM ANLAGE - CIRCUIT ELECTRIC

**MOT**

MOTOPOMPA - MOTOR PUMP - MOTOPOMPE - MOTOR PUMP - MOTOPOMPA

**ADD**

ADDOLCITORI - WATER SOFTENER - ADOUCISSEUR - ENTHARTER - DEDURIZATOR

**FPSA**

FILTRI E PORTAFILTRI - FILTERS & FILTER SUPPORT - FILTRE ET PORTE FILTRE - FILTER UND FILTERHALTERUNG - FILTRE SI PORTAFILTRE

**ACC**

ACCESSORI - ACCESSORIES - ACCESSOIRES - ZUBEHOR - ACCESORII

**NEW START**

# INDICE - INDEX - SOMMAIRE - VERZEICHNIS-INDEX

# CSA

rev.

**CSA-01**

CARROZZERIA - BODY PARTS - CAROSSERIE - KAROSSERIE - CAROSERIE

**01**  
01/2015

CARROZZERIA

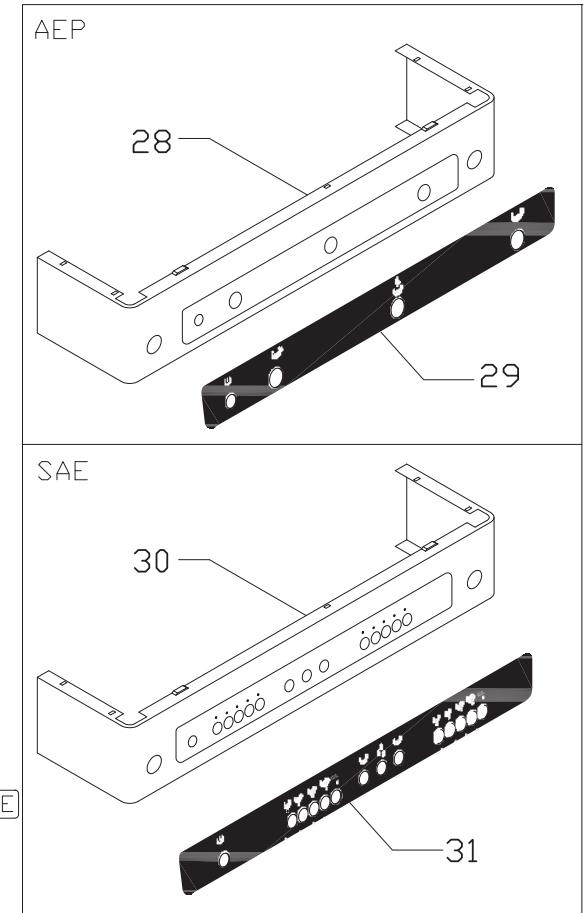
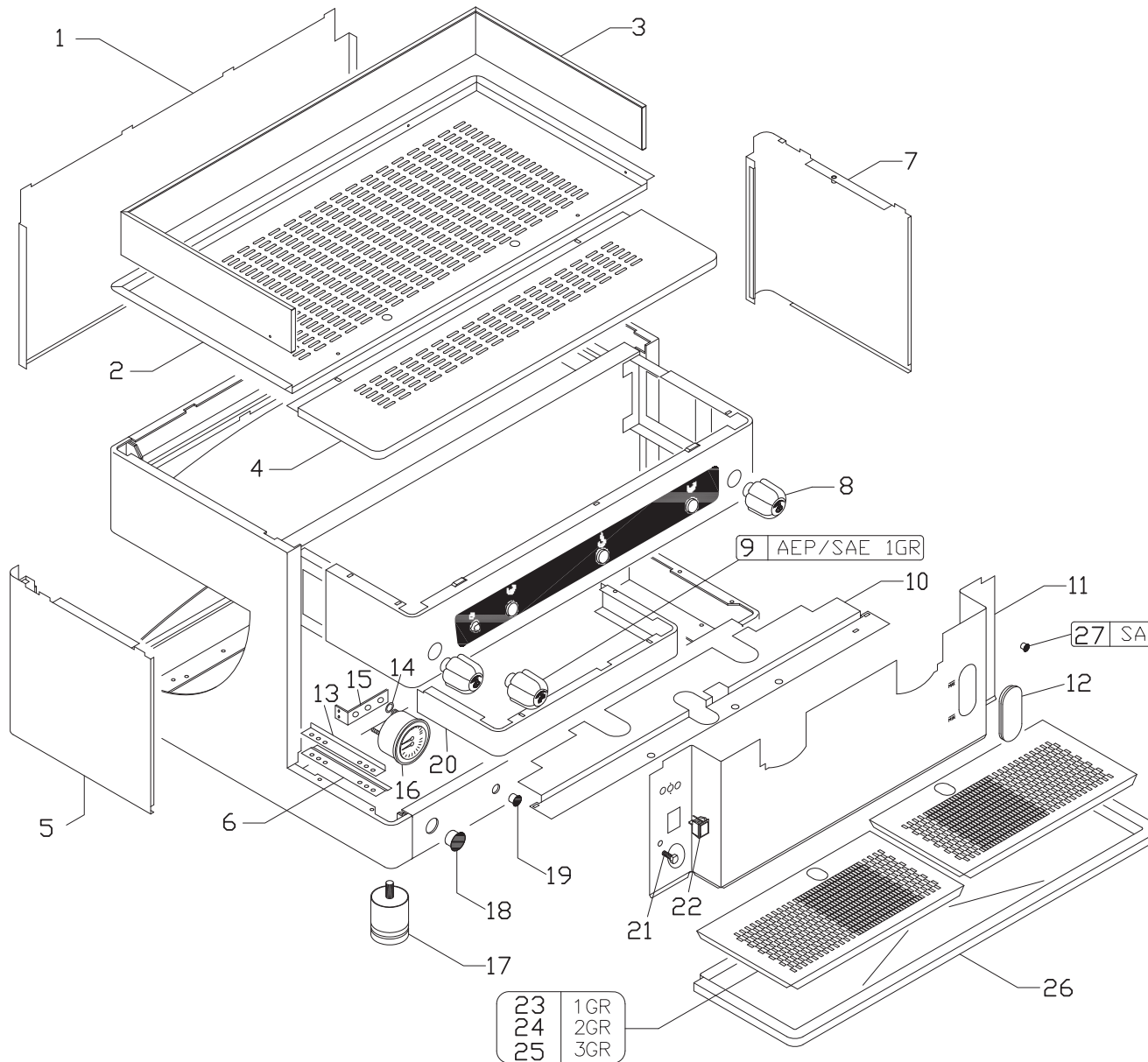
BODY PARTS

CAROSSERIE

KAROSSERIE

CAROSERIE

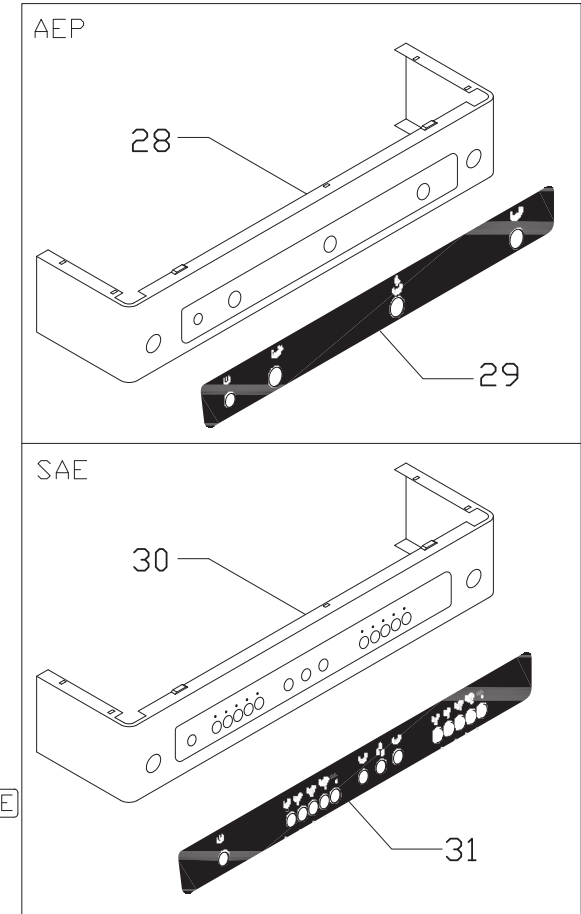
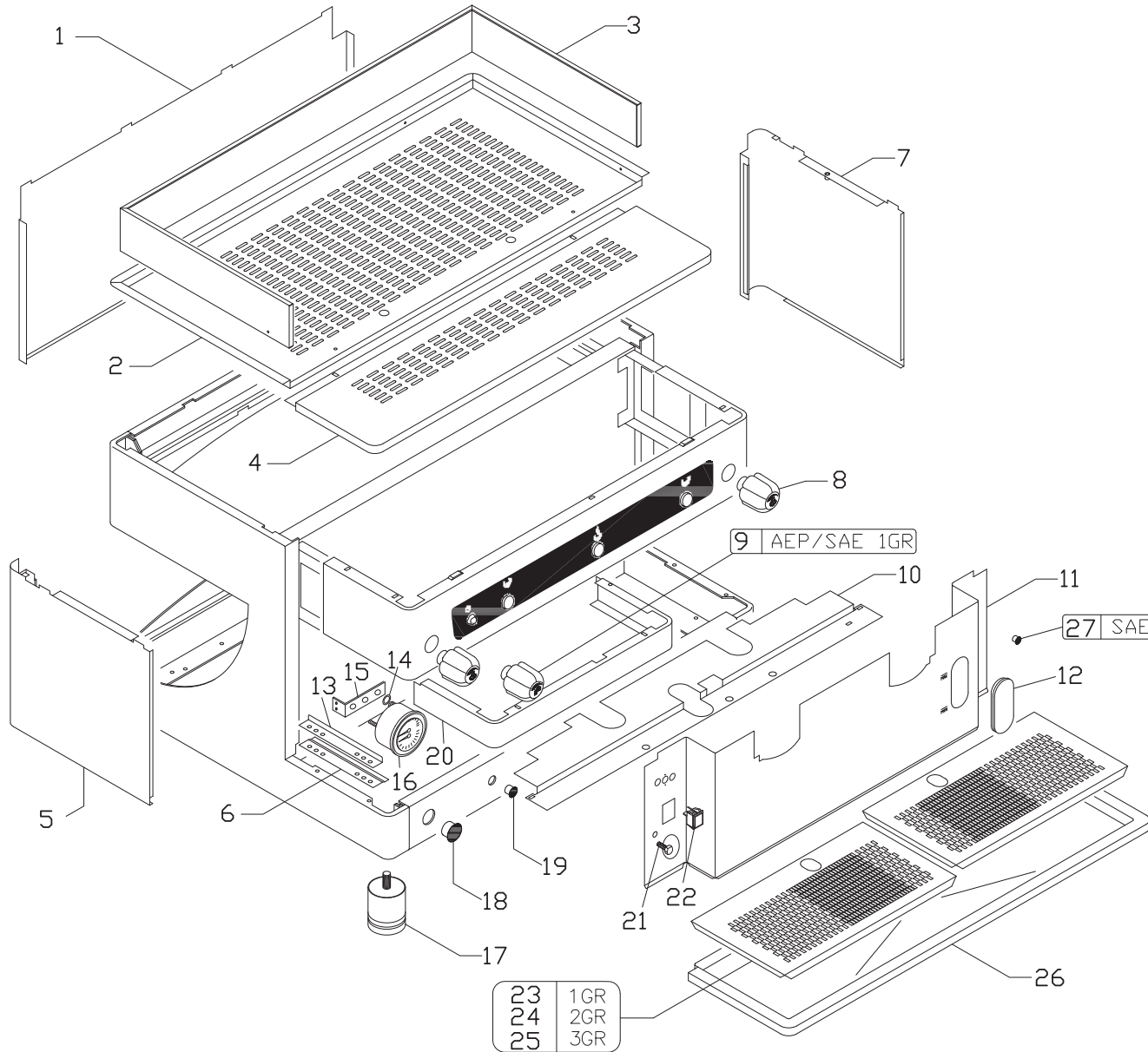
**NEW START**



Pos.	Cod	Denominazione - IT -	Denomination - GB -	Denomination - FR -	Denomination - DE -	Denumire - RO -
1	75826004	PANNELLO POSTERIORE CENTR.1GR INOX/L	CENTRAL PANEL 1GR S.STEEL	PANNEAU CENTRAL 1GR INOX	HINTERE MITTLERE TAFEL 1GR STAHL	PANOU POSTERIOR CENTRAL 1GR INOX
1	75826002	PANNELLO POSTERIORE CENTR.2GR INOX/L	CENTRAL PANEL 2GR S.STEEL	PANNEAU CENTRAL 2GR INOX	HINTERE MITTLERE TAFEL 2GR STAHL	PANOU POSTERIOR CENTRAL 2GR INOX
1	75826006	PANN.POST.CENTR. 3GR INOX/L	CENTRAL PANEL 3GR S.STEEL	PANNEAU CENTRAL 3GR INOX	HINTERE MITTLERE TAFEL 3GR STAHL	PANOU POSTERIOR CENTRAL 3GR INOX
2	76100096	GRIGLIA SUPERIORE 1GR INOX/L	TOP GRATE 1GR S.STEEL	GRILLE SUP.1GR INOX	OBERGITTER 1GR STAHL	GRILA SUPERIOARA 1 GR INOX
2	76100097	GRIGLIA SUPERIORE 2GR INOX/L	TOP GRATE 2GR S.STEEL	GRILLE SUP.2GR INOX	OBERGITTER 2GR STAHL	GRILA SUPERIOARA 2 GR INOX
2	76100098	GRIGLIA SUPERIORE 3GR INOX/L	TOP GRATE 3GR S.STEEL	GRILLE SUP.3GR INOX	OBERGITTER 3GR STAHL	GRILA SUPERIOARA 3 GR INOX
3	77169003	PROF.SUP.COMPLETO 1GR INOX/L	S.STEEL TOP SURROUND 1GR	PROFILS SUPERIEUR INOX 1GR	STAHL OBERUMRANDUNG 1GR	PROFIL SUPERIOR COMPLET 1GR INOX
3	77169006	PROF.SUP.COMPLETO 2GR INOX/L	S.STEEL TOP SURROUND 2GR	PROFILS SUPERIEUR INOX 2GR	STAHL OBERUMRANDUNG 2GR	PROFIL SUPERIOR COMPLET 2GR INOX
3	77169009	PROF.SUP.COMPLETO 3GR INOX/L	S.STEEL TOP SURROUND 3GR	PROFILS SUPERIEUR INOX 3GR	STAHL OBERUMRANDUNG 3GR	PROFIL SUPERIOR COMPLET 3GR INOX
4	72694021	COPRIGRUPPO 1GR INOX/L	S.STEEL GROUP-COVER 1GR	COUVRE-GROUPE INOX 1GR	STAHL-GRUPPENDECKEL 1GR	PROTECTIE GRUPURI 1GR INOX
4	72694022	COPRIGRUPPO 2GR INOX/L	S.STEEL GROUP-COVER 2GR	COUVRE-GROUPE INOX 2GR	STAHL-GRUPPENDECKEL 2GR	PROTECTIE GRUPURI 2GR INOX
4	72694023	COPRIGRUPPO 3GR INOX/L	S.STEEL GROUP-COVER 3GR	COUVRE-GROUPE INOX 3GR	STAHL-GRUPPENDECKEL 3GR	PROTECTIE GRUPURI 3GR INOX
5*	75826001	PANN.SINISTRO CARROZZERIA INOX/L	LEFT PANEL S.STEEL	PANNEAU GAUCHE INOX	STAHL-LINKTAFEL	PANOU STANGA INOX
6	77742014	DISTANZIALE BACINELLA	RH-LH BASIL GUIDE FOR FRAMES	GUIDE DX-SX CUVE X CHASSIS	FUHRUNG RECHTS-LINKS SCHALE	DISTANTIALE BAZIN
7*	75826000	PANNELLO DESTRO CARROZZERIA INOX/L	RIGHT PANEL S.STEEL	PANNEAU DROIT INOX	STAHL-RECHTAFEL	PANOU DREAPTA INOX
8	15272	MANOPOLA RUBINETTO VAPORE	STEAM TAP KNOB	POIGNEE ROBINET VAPEUR	DAMPF-HAHNGRIFF	BUTON ROBINET ABUR
9	15273	MANOPOLA RUBINETTO ACQUA	WATER TAP KNOB	POIGNEE ROBINET EAU	WASSER-HAHNGRIFF	BUTON ROBINET APA
10	77308011	COPRIMPIANTO 1GR	CABLE-COVER 1GR	COUVRE-CABLAGE 1GR	VERDRAHTUNGDECKEL 1GR	PROTECTIE INST. 1GR
10	77308012	COPRIMPIANTO 2GR	CABLE-COVER 2GR	COUVRE-CABLAGE 2GR	VERDRAHTUNGDECKEL 2GR	PROTECTIE INST. 2GR
10	77308013	COPRIMPIANTO 3GR	CABLE-COVER 3GR	COUVRE-CABLAGE 3GR	VERDRAHTUNGDECKEL 3GR	PROTECTIE INST. 3GR
11	77053101	COPRICALDAIA 1GR INOX/L	S.STEEL BOILER COVER 1GR	COUVRE-CHAUDIERE INOX 1GR	KESSELDECKEL 1GR STAHL	PROTECTIE CAZAN 1GR INOX
11	77053102	COPRICALDAIA 2GR INOX/L	S.STEEL BOILER COVER 2GR	COUVRE-CHAUDIERE INOX 2GR	KESSELDECKEL 2GR STAHL	PROTECTIE CAZAN 2GR INOX
11	77053103	COPRICALDAIA 3GR INOX/L	S.STEEL BOILER COVER 3GR	COUVRE-CHAUDIERE INOX 3GR	KESSELDECKEL 3GR STAHL	PROTECTIE CAZAN 3GR INOX
12	21202	SEGNALIVELLO OVE TUV INCOLORE	COLOURLESS LEVEL INDICATOR OVE-TUV	SIGNAL NIVEAU OVE-TUV	FARBLOSER NIVEAUANZEIGER OVE-TUV	SEM NIVEL
13	77742015	GUIDA DESTRA-SINISTRA BACINELLA TELAI	RH-LH BASIL GUIDE FOR FRAMES	GUIDE DX-SX CUVE X CHASSIS	FUHRUNG RECHTS-LINKS SCHALE	GHIDAJ DREAPTA BAZIN
14	12155001	GU CU 8.5x3.3x1	SEAL CU 8.5x3.3x1	JOINT CU 8.5x3.3x1	DICHTUNG CU 8.5x3.3x1	GARNITURA CU 8.5x3.3x1
15	78150072	SUPP.MANOMETRO 1>3GR TOUCH	GAUGE SUPPORT 1>3GR TOUCH	SUPPORT MANOMETRE 1>3GR TOUCH	MANOMETERHALTER 1>3GR TOUCH	SUPORT MANOMETRU
16	21112	MANOMETRO TONDO D.SCALA	PRESSURE GAUGE	MANOMETRE	MANOMETER	MANOMETRU
17	15318	PIEDINO REGOLABILE INOX/SAT H55/69	ADJUSTABLE FOOT H55/69	PIED REGLABLE H55/69	REGELBARER FUSS H55/69	PICIOR REGLABIL INOX
18	15482	TAPPO PLASTICA D22 DP/875	PLASTIC CAP D22 DP/875	BOUCHON PLASTIQUE D22 DP/875	PLASTIKSTOPFEN D22 DP/875	CAPAC PLASTIC D22 DP/875
19	15483	TAPPO PLASTICA D12 DP/500	PLASTIC CAP D12 DP/500	BOUCHON PLASTIQUE D12 DP/500	PLASTIKSTOPFEN D12 DP/500	CAPAC PLASTIC D12 DP/500
20	77691971	PROTEZIONE GRUPPI 1GR INOX/L	GROUP PROTECTION 1GR	PROTECTION GROUPE 1GR	GRUPPE SCHUTZGITTER 1GR	PROTECTIE GRUPURI 1GR INOX
20	77691972	PROTEZIONE GRUPPI 2GR INOX/L	GROUP PROTECTION 2GR	PROTECTION GROUPE 2GR	GRUPPE SCHUTZGITTER 2GR	PROTECTIE GRUPURI 2GR INOX
20	77691973	PROTEZIONE GRUPPI 3GR INOX/L	GROUP PROTECTION 3GR	PROTECTION GROUPE 3GR	GRUPPE SCHUTZGITTER 3GR	PROTECTIE GRUPURI 3GR INOX

5\* 75826001 SOST. DA 75826016 (19.01.2015)

7\* 75826000 SOST. DA 75826015 (19.01.2015)



Pos.	Cod	Denominazione - IT -	Denomination - GB -	Denomination - FR -	Denomination - DE -	Denumire - RO -
21	23420	VITE TE OTTONE M6X12 NICHELATA	M6X12 NICKEL-PLATED BRASS HEX.HEAD SCREW	VIS TH LAITON M6X12 NICKEELE	SECHSKANTSCHRAUBE AUS MESSING M6X12	SURUB M6X12 NICHELAT
22	15486002	TAPPO FORO INTERRUTTORE	SWITCH HOLE PLUG	CAPUCHON TROU INTERRUP.	ABDECKUNG SCHALTERLOCH	CAPAC PENTRU INTRERUPATOR
23	76153000	GRIGLIA INF.WN01 INOX LUC.456X201	LOWER GRILL 456X201 SHINY S.STEEL	GRILLE INF.INOX 456X201	STAHL-UNTERGITTER 456X201	GRILA INFERIOARA INOX LUC.456X201
24	76154000	GRIGLIA INF.DX WN01 IN/LUC.338.5X201	RIGHT LOWER GRILL -SHINY S.STEEL	GRILLE INF.DROIT INOX 338,5X201	STAHL-UNTER-RECHTEGITTER 338,5X201	GRILA INFERIOARA DX INOX LUC.338.5X201
24	76155000	GRIGLIA INF.SX WN01 IN/LUC.338.5X201	LEFT LOWER GRILL - SHINY S.STEEL	GRILLE INF.GAUCHE INOX 338,5X201	STAHL-UNTER-LINKEGITTER 338,5X201	GRILA INFERIOARA SX INOX LUC.338.5X201
25	76156000	GRIGLIA INF.WN01 INOX/LUC.253x201	LOWER GRILL 253x201-SHINY S.STEEL	GRILLE INF.INOX 253X201	STAHL-UNTERGITTER 253X201	GRILA INFERIOARA INOX LUC.253x201
26	76095	BACINELLA 1GR INOX LUCIDO	1GR GLOSSY STAINLESS STEEL TRAY	CUVE 1GR INOX BRILLANT	STAHLSCHALE 1GR	TAVA INOX 1 GR
26	76096	BACINELLA 2GR INOX LUCIDO	2GR GLOSSY STAINLESS STEEL TRAY	CUVE 2GR INOX BRILLANT	STAHLSCHALE 2GR	TAVA INOX 2 GR
26	76097	BACINELLA 3GR INOX LUCIDO	3GR GLOSSY STAINLESS STEEL TRAY	CUVE 3GR INOX BRILLANT	STAHLSCHALE 2GR	TAVA INOX 3 GR
27	15486001	TAPPO PLASTICA NERA D8,5 LED D	PLASTIC CAP D8,5	BOUCHON PLASTIQUE D8,5	PLASTIKSTOPFEN D8,5	CAPAC PLASTIC NEGRU D8,5 LED D
28	70664113	FRONT.AEP/1 START 2014 INOX/L	FRONT PANEL AEP/1 START 2014 S.STEEL	PANNEAU AEP/1 START 2014 INOX	STIRNTAFEL AEP/1 START 2014 STAHL	FRONT.AEP/1 START 2014 INOX/L
28	70664123	FRONT.AEP/2 START 2014 INOX/L	FRONT PANEL AEP/2 START 2014 S.STEEL	PANNEAU AEP/2 START 2014 INOX	STIRNTAFEL AEP/2 START 2014 STAHL	FRONT.AEP/2 START 2014 INOX/L
28	70664133	FRONT.AEP/3 START 2014 INOX/L	FRONT PANEL AEP/3 START 2014 S.STEEL	PANNEAU AEP/3 START 2014 INOX	STIRNTAFEL AEP/3 START 2014 STAHL	FRONT.AEP/3 START 2014 INOX/L
29	29169294	ETICHETTA ADESIVA PULSANTIERA AEP/1 START	ADHESIVE LABEL BUTTON AEP / 1 START 2014	BOUTON AUTOCOLLANTE DE L'ÉTIQUETTE AEP / 1	KLEBEETIKETT BUTTON AEP / 1 START 2014	ETICHETA ADEZIVA PENTRU BUTOANE AEP/1
29	29169295	ETICHETTA ADESIVA PULSANTIERA AEP/2 START	ADHESIVE LABEL BUTTON AEP / 2 START 2014	BOUTON AUTOCOLLANTE DE L'ÉTIQUETTE AEP / 2	KLEBEETIKETT BUTTON AEP / 2 START 2014	ETICHETA ADEZIVA PENTRU BUTOANE AEP/2
29	29169296	ETICHETTA ADESIVA PULSANTIERA AEP/3 START	ADHESIVE LABEL BUTTON AEP / 3 START 2014	BOUTON AUTOCOLLANTE DE L'ÉTIQUETTE AEP / 3	KLEBEETIKETT BUTTON AEP / 3 START 2014	ETICHETA ADEZIVA PENTRU BUTOANE AEP/3
30	70664163	FRONT.SAE/1 START 2014 INOX/L	FRONT PANEL SAE/1 START 2014 S.STEEL	PANNEAU SAE/1 START 2014 INOX	STIRNTAFEL SAE/1 START 2014 STAHL	FRONT.SAE/1 START 2014 INOX/L
30	70664173	FRONT.SAE/2 START 2014 INOX/L	FRONT PANEL SAE/2 START 2014 S.STEEL	PANNEAU SAE/2 START 2014 INOX	STIRNTAFEL SAE/2 START 2014 STAHL	FRONT.SAE/2 START 2014 INOX/L
30	70664183	FRONT.SAE/3 START 2014 INOX/L	FRONT PANEL SAE/3 START 2014 S.STEEL	PANNEAU SAE/3 START 2014 INOX	STIRNTAFEL SAE/3 START 2014 STAHL	FRONT.SAE/3 START 2014 INOX/L
31	29169297	ETICHETTA ADESIVA PULSANTIERA SAE/1 START	ADHESIVE LABEL BUTTON SAE / 1 START 2014	BOUTON AUTOCOLLANTE DE L'ÉTIQUETTE SAE / 1	KLEBEETIKETT BUTTON SAE / 1 START 2014	ETICHETA ADEZIVA PENTRU BUTOANE SAE/1
31	29169298	ETICHETTA ADESIVA PULSANTIERA SAE/2 START	ADHESIVE LABEL BUTTON SAE / 2 START 2014	BOUTON AUTOCOLLANTE DE L'ÉTIQUETTE SAE / 2	KLEBEETIKETT BUTTON SAE / 2 START 2014	ETICHETA ADEZIVA PENTRU BUTOANE SAE/2
31	29169299	ETICHETTA ADESIVA PULSANTIERA SAE/3 START	ADHESIVE LABEL BUTTON SAE / 3 START 2014	BOUTON AUTOCOLLANTE DE L'ÉTIQUETTE SAE / 3	KLEBEETIKETT BUTTON SAE / 3 START 2014	ETICHETA ADEZIVA PENTRU BUTOANE SAE/3

# RSA

## INDICE - INDEX - SOMMAIRE - VERZEICHNIS-INDEX

rev.

**RSA-10**

RUBINETTI ACQUA 1 GR. - TAPS WATER 1 GR.  
ROBINETS EAU 1 GR. - WASSERHAHN 1GR. - ROBINET APA 1GR.

**00**  
03/2014

**RSA-11**

RUBINETTI ACQUA 2, 3 GR. - TAPS WATER 2, 3 GR.  
ROBINETS EAU 2, 3 GR. - WASSERHAHN 2, 3 GR. - ROBINET APA 2, 3 GR.

**00**  
03/2014

**RSA-12**

RUBINETTI VAPORE - TAPS STEAM  
ROBINETS VAPEUR - DAMPFHAHN - ROBINET VAPORI

**00**  
03/2014

RUBINETTI ACQUA  
RUBINETTI VAPORE

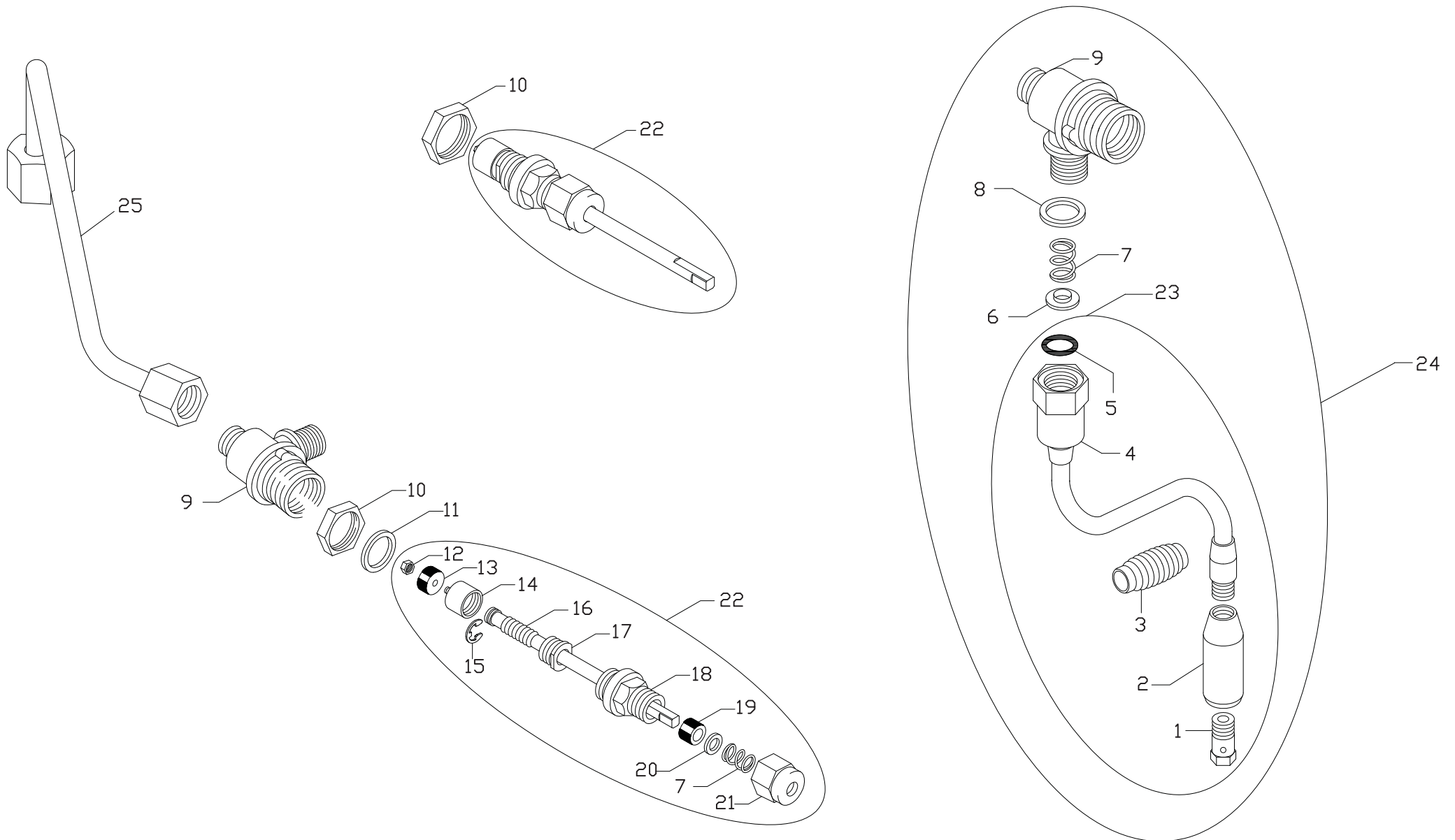
TAPS WATER  
TAPS STEAM

ROBINETS EAU  
ROBINETS VAPEUR

WASSERHAHN  
DAMPFHAHN

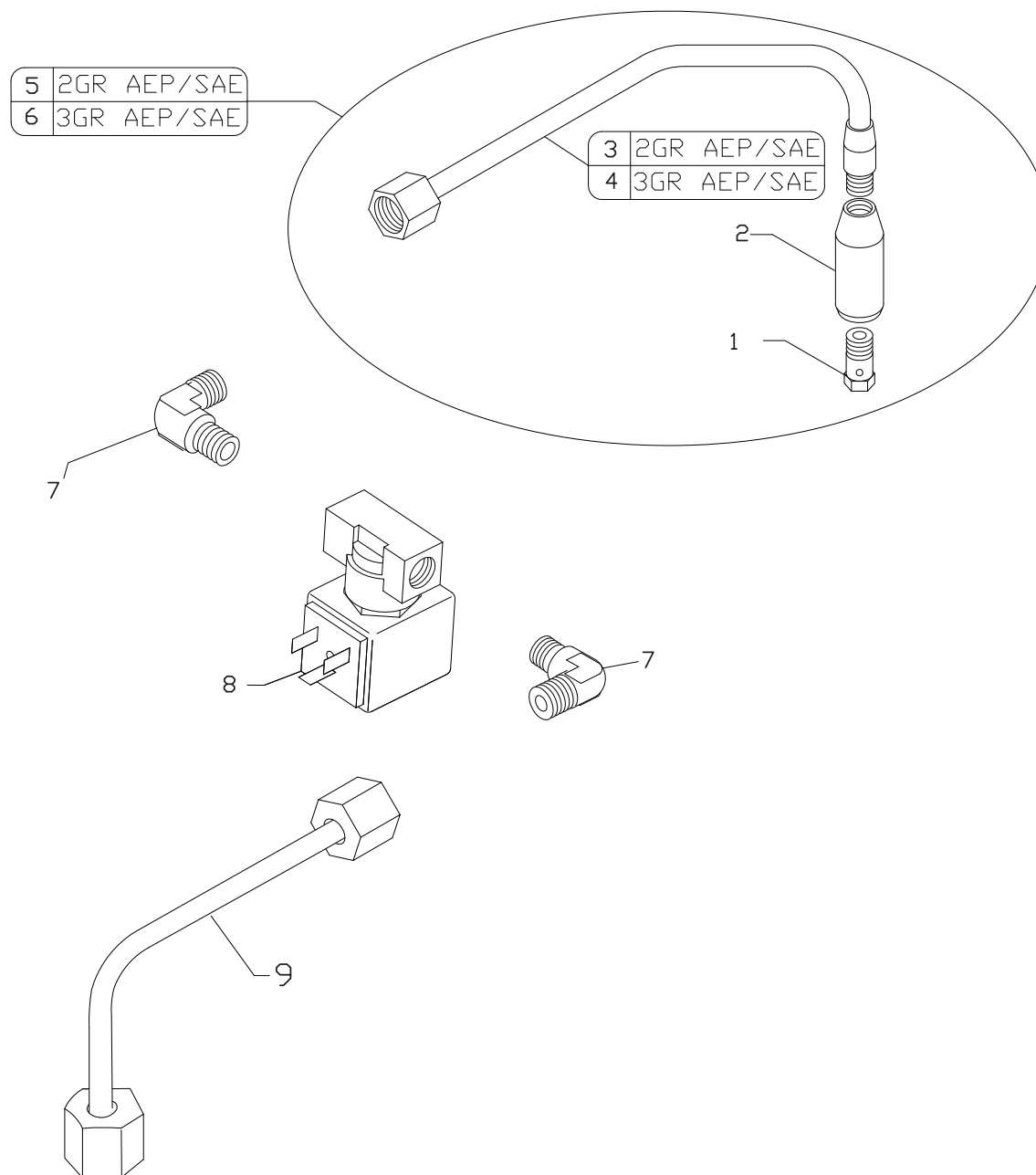
ROBINET APA  
ROBINET VAPORI

**NEW START**

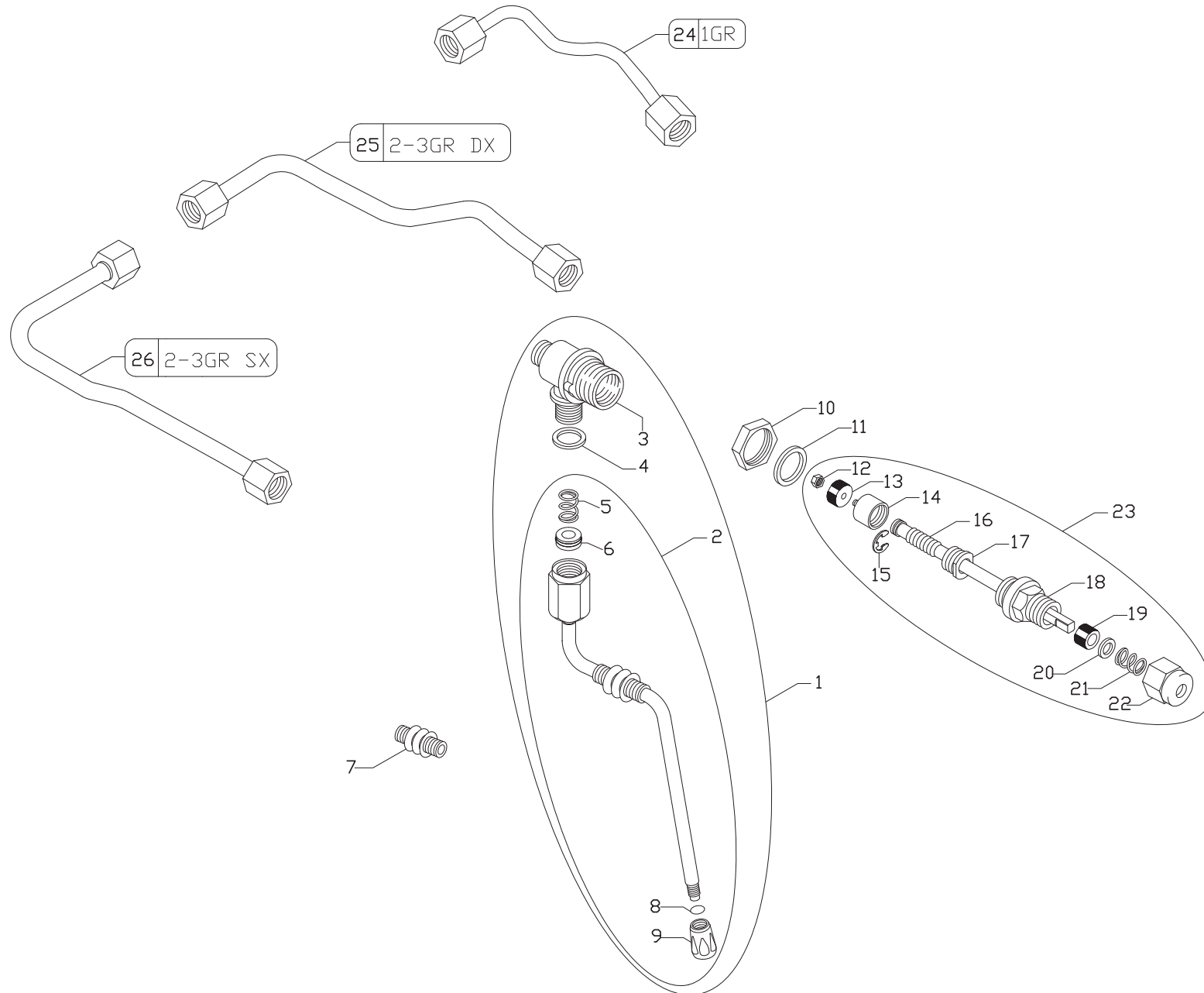




Pos.	Cod	Denominazione - IT -	Denomination - GB -	Denomination - FR -	Denomination - DE -	Denumire - RO -
1	25761	SPRUZZATORE INTERNO H2O	INTERNAL SPRAY H2O	PULVERISATEUR INT. H2O	H2O - INNENSPRITZDÜSE	ASPELOR INTERIOR H2O
2	30250	SPRUZZATORE ESTERNO H2O OTT CROMATO	EXTERNAL SPRAYER H2O CHROMIUM PLATE	PULVERISATEUR EXTERNE H2O LAITON CH	AUSSENSPRITZDÜSE H2O MESSING, VERCH	CROM ASPEROR EXTERIOR H2O
3	15296000	GOMMINO ANTISCOT.RA X TUBO VAP.D8	ANTI-BURNING RUBBER EL. FOR STEAM PIPE D	ELEMENT ANTI-BRULURE POUR TUYAU VAP.D8	GUMMI GEGEN VERBRENNUNGEN F. DAMPFROHR	FURTUN DE CAUCIU ANTISCOT.RA X VAP.D8
4	25391	DADO CANNA VAP/H2O X MOLLA CROMATO	NUT PIPE WATER/STEAM FOR SPRING	ECROU TUYAU VAPEUR/EAU POUR RESSORT	WASSER/DAMPF ROHRMUTTER FUR FEDER	PIULIȚĂ VAP/H2O
5	12300	GUARNIZIONE OR 113 NBR/70	O RING GASKET 113 NBR/70	JOINT OR 113 NBR/70	OR-DICHTUNG 113 NBR/70	SIGILIU 113 NBR/70
6	25657	RONDELLA MOLLA VAPORE	STEAM SPRING WASHER	RONDELLE RESSORT VAPEUR	SCHEIBE FÜR DAMPF FEDER	ARC ABUR
7	10452	MOLLA RUBINETTO H2O/VAPORE N4	WATER/STEAM TAP SPRING N4	RESSORT DE ROBINET EAU-VAPEUR N4	WASSER/DAMPF HAHNFEDER N4	VALVA ARC H2O/ABUR N4
8	12010	GUARNIZIONE TEFLON X H2O/VAP 21X17X2 CNN/W/S PIPE GASKET TEFLON 21X17X2	WATER/STEAM TAP SPRING N4	JOINT TUYAU TEFLON EAU/VAP TEFLON 21X17X2	TEFLON-DICHTUNG X H2O/VAP 21X17X2 CNN	GARNITURA TEFLON 21X17X2 X H2O/VAP CNN
9	53003	CORPO RUBINETTO	TAP BODY	CORPS DE ROBINET	HAHNKÖRPER	CORP ROBINET
10	25384	DADO OTTONE M26X1.5	BRASS NUT 26X1.5	ECROU LAITON 26X1.5	MESSING-MUTTER 26X1.5	PIULIȚĂ M26X1.5
11	12158	GUARNIZIONE CU RUB.26X20.5X2	26X20.5X2 COPPER SEAL	JOINT CUIVRE 3/8 22X17X1.5	KUPFERDICHTUNG 3/8 22X17X1.5	GARNITURA .26X20.5X2
12	23050	DADO OTTONE M3 UNI 5587	BRASS NUT M3 UNI 5587	ECROU LAITON M3 UNI 5587	MESSING-MUTTER M3 UNI 5587	PIULITA ALAMA M3 UNI 5587
13	12203	GUARNIZIONE GOMMA 15X4X4	RUBBER GASKET 15X4X4	JOINT EN CAOUTCHOUC 15X4X4	GUMMIDICHTUNG 15X4X4	GARNITURA CAUCIUC 15X4X4
14	25616	PISTONCINO RUBINETTO	TAP JUMPER	PISTON ROBINET	HAHNKOLBEN	ROBINET PISTON
15	10001	ANELLO ARRESTO D6 INOX 316 DIN 6799	STEEL CIRCLIP 316 DIN 6799	CIRCLIP INOX 316 DIN 6799	STAHLHALTENRING 316 DIN 6799	INEL D6 OTEL 316 DIN 6799
16	25309	ASTA RUBINETTO CROMATA	CHROMED TAP SHAFT	TIGE ROBINET CHROME	HAHNSTANGE CHROM	AX ROBINET CROMAT
17	25461	GHIERA RUBINETTO	TAP RING NUT	EMBOUT ROBINET	HAHNZWINGE	PIULITA ROBINET
18	25678001	RACCORDO RUBINETTO	TAP FITTING	RACCORD ROBINET	HAHNANSCHLUSSTUCK	RACORD ROBINET
19	12204	GUARNIZIONE GOMMA RUBINETTO H2O/VAP 12.5X7.5X9 W/S TAP RUBBER GASKET 12.5X7.5X9	WATER/STEAM TAP UNIT	JOINT CAOUTCHOUC ROB. EAU/VAP 12.5X7.5X9	HAHNDICHTUNG W/D 12.5X7.5X9	GARNITURA ROBINET W/D 12.5X7.5X9
20	25655	RONDELLA RUBINETTO	TAP WASHER	RONDELLE ROBINET	HAHNSCHEIBE	PULITA ROBINET
21	25385001	DADO PREMISTOPPA COMPLETO	STUFFING NUT COMPLETE	ECROU DE PRESSE-ETOUPE COMPLET	STOPFBUCHSE MUTTER GANZ	UMPLUTURA PIULIȚĂ COMPLETĂ
22	561001	ASSIEME RUBINETTO H2O/VAPORE	WATER/STEAM TAP UNIT	ENSEMBLE ROBINET EAU/VAPEUR	WASSER/DAMPF ROHRSATZ	ANSAMBLU ROBINET H2O/ABUR
23	56119005	ASS.TUBO H2O "S" CR. W/66	WATER TUBE "S" W/66	TUYAU EAU "S" W/66	WASSER ROHR "S" W/66	ANSAMBLU TUB H2O
24	56119105	TUBO H2O Cr.WEGA "S" W/66 + CORPO	WATER TUBE "S" W/66 WITH BODY	TUYAU EAU "S" W/66 + CORPS	WASER ROHR "S" W/66 + KORPER	TUB APA WEGA "S" W/66 + CORP
25	52005116	TUB.D-8 L.270 START CTS 1GR SA17 CLD > EV.H2O	TUBE D-8 L.270 START CTS 1GR SA17 EV H2O> O	TUYAU D-8 L.270 START CTS 1GR SA17 EV H2O> S	ROHR D-8 L.270 START CTS 1GR SA17 EV H2O> SOF	TUB. D-8 L.270 START CTS 1GR SA17 EV H2O> IES



Pos.	Cod	Denominazione - IT -	Denomination - GB -	Denomination - FR -	Denomination - DE -	Denumire - RO -
1	25761	SPRUZZATORE INTERNO H2O	INTERNAL SPRAY H2O	PULVERISATEUR INT. H2O	H2O - INNENSPRITZDÜSE	ASPERSOR INTERIOR H2O
2	30250	SPRUZZATORE ESTERNO H2O OTT CROMATO	EXTERNAL SPRAYER H2O CHROMIUM PLATE	PULVERISATEUR EXTERNE H2O LAITON CH	AUSSENSPRITZDÜSE H2O MESSING, VERCH	PULVERIZATOR EXTERN H2O CROMAT
3	52005110	TBS.D-8 L.340 START CTS SA11 EV H20 > USCITA H2O	TUBE D-8 L.340 START CTS SA11 EV H20> OUTPUT	TUYAU D-8 L.340 START CTS SA11 EV H20> SORTIE	ROHR L.340 D-8 START CTS SA11 EV H20> OUTPUT	TUB. D-8 L.340 START CTS SA11 EV H20> IEȘIRE H2O
4	52005133	TBS.D-8 L.165 START CTS 3GR SA34 EV H20 > USCITA H2O	TUBE D-8 L.165 START CTS 3GR SA34 EV H20> OUTPUT	TUYAU D-8 L.165 START 3GR SA34 EV H20> SORTIE	ROHR D-8 L.165 START CTS 3GR SA34 EV H20> SORTIE	TUB. D-8 L.165 START 3GR CTS EV H20> IEȘIRE H2O
5	56119089	ASS.TUBO H2O FISSA SA11	WATER PIPE SA11	CONDUITE D'EAU SA11	WASSERLEITUNG SA11	TUB APA SA11
6	56119091	ASS.TUBO H2O FISSA 3GR SA34	WATER PIPE 3GR SA34	CONDUITE D'EAU 3GR SA34	WASSERLEITUNG 3GR SA34	TUB APA 3GR SA34
7	23201	RACC.OTT.GOM.D6.2 1/4x1/8-AEA	ELBOW BRASS CONNECTOR D6.2 1/4x1/8-AEA	RACCORD COUDE LAITON D6.2 1/4x1/8-AEA	MESSING-ANSCHLUSS D6.2 1/4x1/8-AEA	RACORD ALAMA CAUCIUC D6.2 1/4x1/8 AEA.
8	18160053	EL.AEA 220-230V 50/60Hz L120V12	SOL.VALVE WATER REFILL 220-230V/50 L120V12	EL.AEA 220-230V/50 L120V12	ELEKTROVENTIL AEA 220-230V/50 L120V12	ELECTROVALVA AEA SIRAI 220-230V 50Hz
9	52005107	TBS.D-8 L.305 START CTS SA8 CALDAIA> EV H2O	TUBE D-8 L.305 START CTS SA8 EV H20> OUTPUT	TUYAU D-8 L.305 START CTS SA8 EV H20> SORTIE	ROHR D-8 L.305 START CTS SA8 EV H20> SORTIE	TUB. D-8 L.305 START CTS SA8 EV H20> IEȘIRE H2O



Pos.	Cod	Denominazione - IT -	Denomination - GB -	Denomination - FR -	Denomination - DE -	Denumire - RO -
1	25763344	ASS.TUBO VAP.IN.D.8 SPRUZZ.4FORI+C.	STAINLESS STEEL STEAM ARM D8	TUYAU VAPEUR INOX SP. D.8	SATZ DAMPF ROHR INOX D.8-DAMPFDUSE	ANS.TUB VAP.D8-DISP.DE ELIB.VAP-4 ORIF
2	25763149	TUBO VAP.IN.D.8 SPRUZZ.4FORI	TUBE STEAM STAINLESS STEEL ARM D.8	TUYAU VAPEUR INOX D.8 ATOMISEUR	ROHR INOX D.8-DAMPFDUSE	TUB .D.8 CU DISP.DE ELIB.ABURI
3	53003	CORPO RUBINETTO	TAP BODY	CORPS DE ROBINET	HAHNKRPER	CORP ROBINET
4	12010	GU TEFLON x H2O/VAP 21x17x2 cnn	PIPE GASKET TEFLON 21x17x2	JOINT TUYAU TEF.EAU/VAP 21x17x2	TEFLON-DICHTUNG WASSER/VAP 21x17x2	GARNITURA DE TEFLONxH2O/VAP. 21x17x2
5	10465001	MOLLA DE 11,4 DF 1,7 L.6 AISI 302	S.STEAM PIPE SPRING D11,4/1,7 L.6	RESSORT TUYAU VAP.IN.D11,4/1,7 L6	FEDER DAMPF.EDELSTAHL D11,4/1,7L.6	ARC 11,4 DF 1,7 L.6 AISI 302
6	12661	GU.OR CON LUNETTA P.M.CANNA VAP.IN	OR REST FOR ST.STEEL STEAM PIPE	OR LUNETTE P.RESS.TUYAU VAP. IN	HALBE OR-DICHT.F.FEDER DAMPFROHR ED	GARN.OR PT.ARC SI TUB DE VAP.INOX
7	15296000	GOMMINO ANTISCOT.RA x TUBO VAP.D8	AN-BURNING RUBBER EL.FOR ST.PIPE D8	ELEM.AN-BRULURE POUR T.VAP. D-8	GUMMI GEGEN VERBRENNUNGEN F. D.8	CAUCIUC IMP.ARD.PT.TEAVA DE VAP.D.8
8	12662000	GU.ORM 0060 - 15 SPRUZZATORE	GASKET ORM 0060-15	JOINT ORM 0060-15	DICHTUNG ORM 0060-15	GARNITURA ORM 0060 - 15 PT. PULVERI.
9	25763080	SPRUZZ.VAP.IN.M8x1 4 FORI x TUBO D.8	STEEL STEAM SPRAYER	VAPORISATEUR INOX	STAHL DAMPFER	DISP.DE ELIB.VAP.-IN.CU 4GAURIX TUB D8
10	25384	DADO OTTONE M26x1.5	BRASS NUT 26X1.5	ECROU LAITON 26X1.5	MESSING-MUTTER 26X1.5	PIULITA DIN ALAMA M26x1.5
11	12158	GU CU RUB. 26x20.5x2	GASKET 26x20.5x2	JOINT 26x20.5x2	DICHTUNG 26x20.5x2	GARNITURA DIN CUPRU PT. ROB.26x20.5x2
12	23050	DADO OTTONE M3 UNI 5587	BRASS NUT M3 UNI 5587	ECROU LAITON M3 UNI 5587	MESSING-MUTTER M3 UNI 5587	PIULITA DIN ALAMA M3 UNI 5587
13	12203	GU GOMMA 15x4x4	RUBBER GASKET 15x4x4	JOINT EN CAOUTCHOUC 15X4X4	GUMMIDICHTUNG 15x4x4	GARNITURA DE CAUCIUC 15x4x4
14	25616	PISTONCINO RUBINETTO	TAP JUMPER	PISTON ROBINET	HAHNKOLBEN	PISTON ROBINET
15	10001	ANELLO ARRESTO D6 INOX 316 DIN 6799	STEEL CIRCLIP 316 DIN 6799	CIRCLIP INOX 316 DIN 6799	STAHLHALTENRING 316 DIN 6799	INEL OPRIRE D.6 INOX 316 DIN 6799
16	25309	ASTA RUBINETTO CROMATA	CHROMED TAP SHAFT	TIGE ROBINET CHROME	HAHNSTANGE CHROM	ARBORE PENTRU ROBINET DIN CROM
17	25461	GHIERA RUBINETTO	TAP RING NUT	EMBOUT ROBINET	HAHNZWINGE	PIULITA INELARA PENTRU ROBINET
18	25678001	RACC.RUBINETTO	TAP FITTING	RACCORD ROBINET	HAHNANSCHLUSSTUCK	RACORD ROBINET
19	12204	GU GOMMA RUBIN. H2O/VAP 12.5x7.5x9	TAP RUBBER GASKET 12.5x7.5x9	JOINT CAOUTCHOUC ROB. 12.5X7.5X9	HAHNDICHTUNG 12.5x7.5x9	GARN.CAUCIUC PT. ROB. DE APA/VAP.
20	25655	RONDELLA RUBINETTO	TAP WASHER	RONDELLE ROBINET	HAHNSCHEIBE	SAIBA ROBINET
21	10452	MOLLA RUBINETTO H2O/VAPORE N4	WATER/STEAM TAP SPRING N4	RESSORT DE ROBINET EAU-VAPEUR N4	WASSER/DAMPF HAHNFEDER N4	ARC PT. ROB. DE APA/VAPORE N4
22	25385001	DADO PREMISTOPPA COMPLETO	STUFFING NUT COMPLETE	ECROU DE PRESSE-ETOUPE COMPLET	STOPFBUCHSE MUTTER GANZ	PIULITA-DOP COMPLET
23	561001	ASSIEME RUBINETTO H2O/VAPORE	WATER/STEAM TAP UNIT	ENSEMBLE ROBINET EAU/VAPEUR	WASSER/DAMPF ROHRSATZ	ANSAMBLU ROBINET H2O/ABUR
24	52005117	TUB.D-8 L.295 START CTS 1GR SA18 CLD > VAP.D	TUBE D-8 L.295 START CTS 1GR SA18 BOILER > S	TUYAU D-8 L.295 START CTS 1GR SA18 CHAUDIERE > S	ROHR D-8 L.295 START CTS 1GR SA18 KESSEL > DAM	TUB.D-8 L.295 START CTS 1GR SA18 CAZAN > ABU
25	52005128	TBS.D-8 L.320 START CTS 2-3GR SA29 CALDAIA >	TUBE D-8 L.320 START CTS 2-3GR SA29 BOILER >	TUYAU D-8 L.320 START CTS 2-3GR SA29 CHAUDIERE >	ROHR D-8 L.320 START CTS 2-3GR SA29 KESSEL > DA	TUB D-8 L.320 START CTS 2-3GR SA29 CAZAN > AE
26	52005105	TBS.D-8 L.285 START CTS SA6 CALDAIA > VAPORE	TUBE D-8 L.285 START CTS SA6 BOILER > STEAM	TUYAU D-8 L.285 START CTS SA6 CHAUDIERE > V	ROHR D-8 L.285 START CTS SA6 KESSEL > DAMPF SX	TUB D-8 L.285 START CTS SA6 CAZAN > ABUR SX

**GRSA**

**INDICE - INDEX - SOMMAIRE - VERZEICHNIS-INDEX**

rev.

**GRSA-20**

GRUPPO - GROUP  
GROUPE - GRUPPE - GRUP

**00**  
03/2014

**GRUPPO**

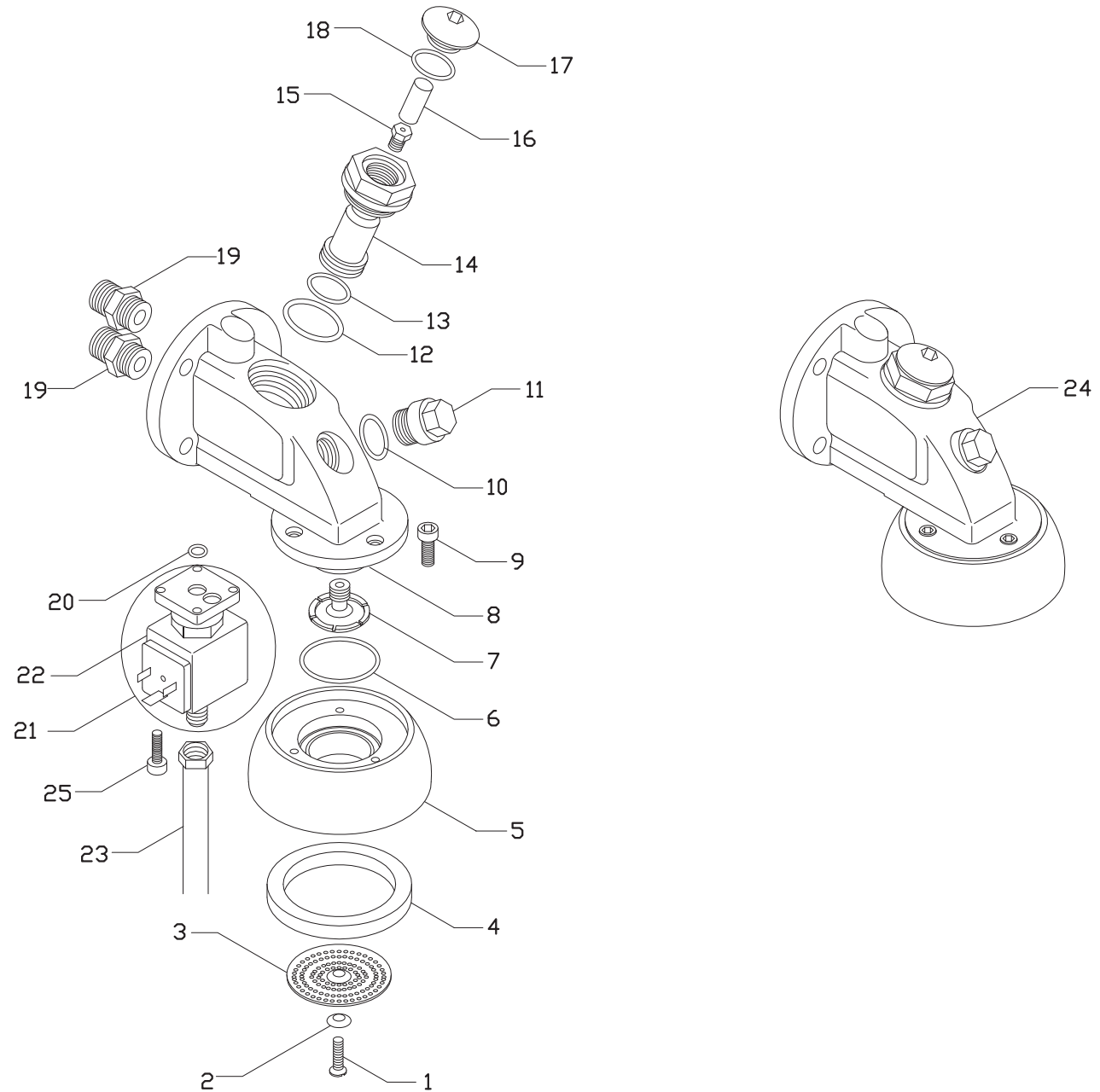
**GROUP**

**GROUPE**

**GRUPPE**

**GRUP**

**NEW START**



Pos.Cod.	Denominazione - IT -	Denomination - GB -	Denomination - FR -	Denomination - DE -	Denumire - RO -	
1	23514	VITE TPS IN.5x20 TAGLIO CACCIAVITE	5x20 STAINLESS STEEL FLATHEAD SCREW	VIS TPS INOX 5x20 DE TOURNEVIS	SCHRAUBE TPS ROSTFREI 5x20	SURUB DIN INOX TPS M 5x20
2	23260014	RONDELLA INOX 12x5 DOCCETTA	INOX WASHER 12X5	RONDELLE INOX 12x5 DOUCHETTE	STAHL SCHEIBE 12x5 DUSCHE	SAIBA DIN INOX M 12x5
3	27100	DOCCETTA GRUPPO ER 51.9	GROUP SHOWER PLATE 51.9	DOUCHETTE GROUPE ER. 51.9	DUSCHE VERTEILEREINHEIT 51.9	SITA PT. GRUPUL DE EROGARE 51.9
4	12217	GU GOMMA S.COPPA 72x56x8 NORMALE	ST.SIZE FILTER SUPPORT GASKET 72x56x8	JOINT CAOUTCHOUC SAUCOUCPE 72x56x8	FILTERHALTER GUMMIDICHTUNG 72x56x8	GARN.DIN CAUCIUC PT.GRUP 72x56x8
4	12215	GU GOMMA S.COPPA 72X56X8.5 MAGGIOR	LARGER SIZED FILT.SUPP. RUBBER 72X56X8.5	JOINT CAOUTCHOUC SOUCOUCPE 72x56x8.5	FILTERHALTER GUMMIDICHTUNG 72X56X8.5	GARN.DIN CAUCIUC PT.GRUP 72x56x8.5
5	25250003	ANELLO AGGANCIATORE VE CROMATO	CHROMED CLAMPING RING	SABOT CHROME	CHROM GRUPPENRING	INEL CROMAT DE AGATARE
6	12300034	GU OR 3137 VITON Di34,6 CORDA 2,62	700SRHING SEAL 3137 VITON	JOINT OR 3137 VITON	O-RINGDICHT. 3137 VITON	GARN.OR 3137 VITON D.34,6
7	27105000	DIFF.GRUPPO WEGA x ADATTATORE	SPRAIER GROUP	DIFFUSEUR GROUPE	DIFFUSOR VERTEILEREINHEIT	PROPAGATOR PT. GRUP-WEGA
8	25368009	CORPO GRP ER CTS VE	DISTRIBUTION GROUP CTS VE	CORPS GROUPE DEBIT CTS VE	KORPER DER ABGABEGRUPPE CTS VE	CORP PT. GRUP ER. CTS VE
9	23552	VITE TCEI INOX 5X10	STEEL SCREW TCCE 5X10	VIS INOX TCCE 5X10	STAHLSCHRAUBE TCCE 5x10	SURUB DIN INOX TCEI M 5x10
10	12303	GU OR 119 HNBR TAPPO GRUPPO / VNR	CAP O RING GASKET 119	JOINT OR 119 POUR BOUCHON	OR DICHTUNG FUR STOPFEN 119	GARNITURA OR 119 HNBR
11	25789301	TAPPO CAMERA PREINFUSIONE GRP ESTR.	CAP GROUP	BOUCHON GROUPE	STOPFEN ABGABEGRUPPE	DOP PT. CAM.DE PREINF. A GRUPULUI
12	12300026	GU OR 0134 EPDM 17.86X2.62	O RING GASKET 0134 EPDM 17.86X2.62	JOINT OR 0134 EPDM 17.86X2.62	OR DICHTUNG 0134 EPDM 17.86X2.62	GARNITURA OR 0134 EPDM 17.86X2.62
13	12336001	GU OR 0134 EPDM 25.8x3.53	O RING GASKET 0134 EPDM 25.8x3.53	JOINT OR 0134 EPDM 25.8x3.53	OR DICHTUNG 0134 EPDM 25.8x3.53	GARNITURA OR 0134 EPDM 25.8x3.53
14	25739503	PORTAGIGLEUR GRUPPO CTS 03 VE	NOZZLE HOLDER GROUP CTS 03	PORTE-GICLEUR GROUPE CTS 03	DUSEHALTER GRUPPE CTS 03	PORTAJIGLER PT. GRUP CTS 03 VE
15	10300C	GIGLER OTT. X GRUPPO D 0.6	BRASS UNIT FOR JET D 0.6	GIGLEUR LAITON POUR GROUPE D 0.6	VERMESSINGTE GRUPPENDÜSE D 0.6	JIGLER DIN ALAMA PT. GRUP D. 0.6
16	10253	FILTRO GIGLER GRUPPO W527	JET FILTER	FILTRE GICLEUR	DUSE FILTER	FILTRU JIGLER PT. GRUP W527
17	25789306	TAPPO PORTA GIGLEUR GRUPPO CTS 03	CAP GROUP JET	BOUCHON GIGLEUR	STOPFEN EINSPRITZDUSE	DOP PORTAJIGLER PT. GRUP CTS 03
18	12336000	GU ORM 0170-30 HNBR 70Sh Di17x3 GRP	GCATSSKET ORM 0170-30 HNBR 70Sh	JOINT ORM 0170-30 HNBR 70Sh	DICHTUNG ORM 0170-30 HNBR 70Sh	GARN. ORM 0170-30 HNBR 70Sh Di17x3
19	25687002	RACCORDO 3/8X3/8 GAS GRP CTS 03	CONNECTOR 3/8x3/8 CTS 03 UNIT	RACCORD 3/8x3/8 GR. CTS 03	ANSCHLUSS 3/8x3/8 CTS 03	RACORD 3/8X3/8 PT. GRUP CTS 03
20	12305	GU OR 105 GR.ELETT.VITON 70SH	O RING VITON SEAL 105 GREEN SOLENOI	JOINT OR 105 GR.ELECT.	O-RINGDICHT. 105 EKELTR. EINHEIT	GARN.OR 105 PT.ELECT.GR.VITON 70SH
21	18160002	ELETTRIVAL.GRUPPO SIR 230V 50HZ	GROUP SOLENOID VALE SIR 230V 50HZ	ELECTROV.GROUPE SIR 230V 50HZ	GRUPPENMAGNETVENTIL SIR 230V 50HZ	ELECTROVAL.PT. GRUP SIR 230V 50HZ
22	18001002	BOBINA GRUPPO 230V SIR. 2A 32A	REEL SIR 230V 2A 32A	BOBINE SIR 230V 2A 32A	ROLLE SIR 230V 2A 32A	BOBINA PT. GRUP 230V SIR. 2A 32A
23	52000168	TBS.D-12 L.92 1-4GR RACCORD SCARICO	TUBE D-12 L.92 1-4GR	TUYAU D-12 L.92 1-4 GR	ROHR D-12 L.92 1-4 GR	TUB D-12 L.92 1-4 GR
24	56082112	GRUPPO CTS VE/CMA NEUTRO	DISTRIBUT.GROUP CTS VE/CMA NEUTER	GROUPE DEBIT CTS VE/CMA NEUTRE	AUSGABEGRUPPR CTS VE/CMA NEUTR.	GRUP CTS VE/CMA
25	23551	VITE TCEI INOX 4x12 UNI 5931 D	SCREW TCCE S.STEEL 4x12 UNI 5931 D	VIS TCCE INOX 4x12 UNI 5931 D	STAHLSCHRAUBE TCCE 4x12 UNI 5931 D	SURUB DIN INOX TCEI M4x12 UNI 5931



# CLD

## INDICE - INDEX - SOMMAIRE - VERZEICHNIS-INDEX

rev.

**CLD-30**

CALDAIA 1GR - BOILER 1GR  
CHAUDIÈRE 1GR - KESSEL 1GR - CAZAN 1GR

**00**  
03/2014

**CLD-31**

CALDAIA 2GR - BOILER 2GR  
CHAUDIÈRE 2GR - KESSEL 2GR - CAZAN 2GR

**00**  
03/2014

**CLD-32**

CALDAIA 3GR - BOILER 3GR  
CHAUDIÈRE 3GR - KESSEL 3GR - CAZAN 3GR

**00**  
03/2014

CALDAIA

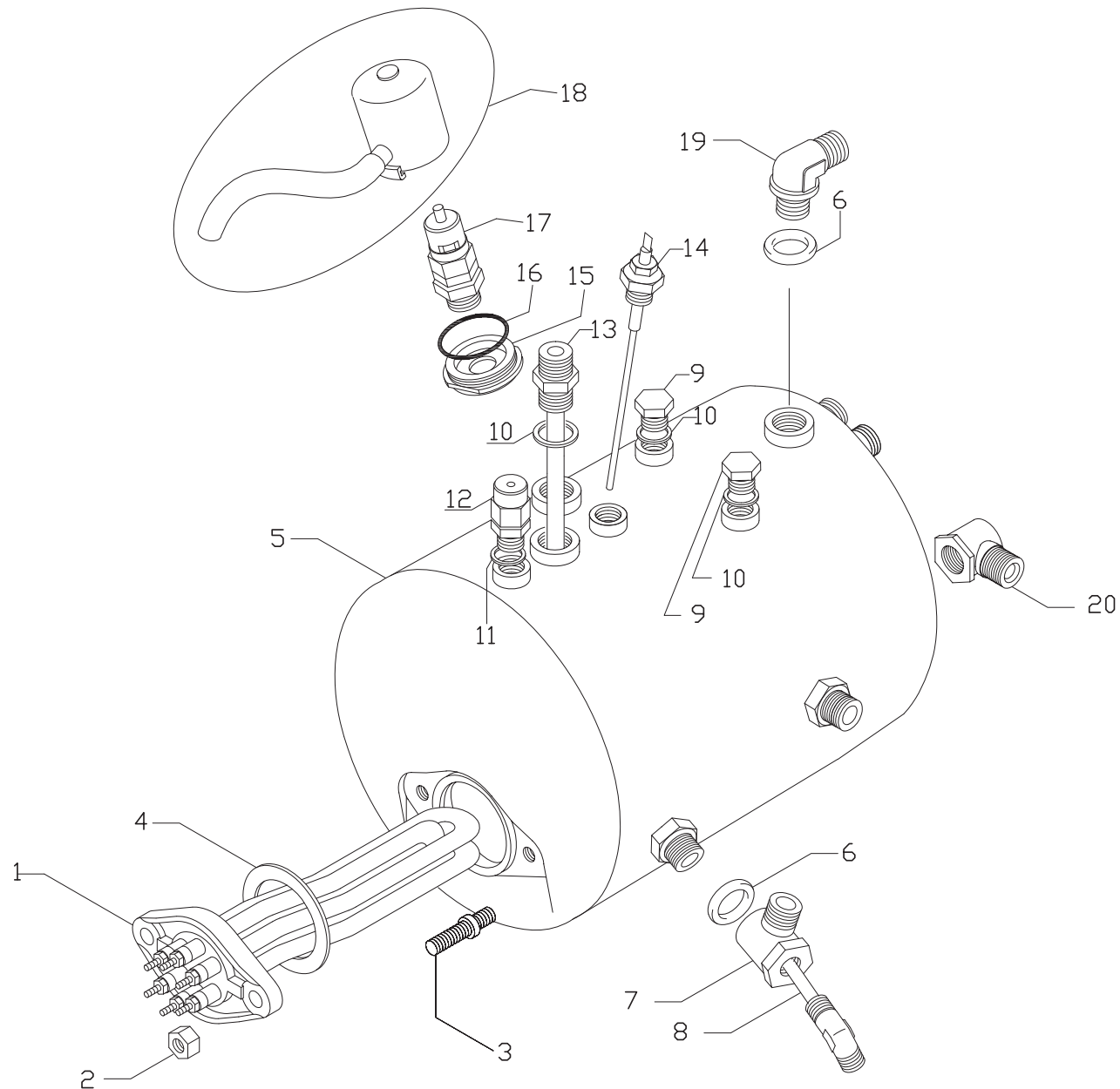
BOILER

CHAUDIÈRE

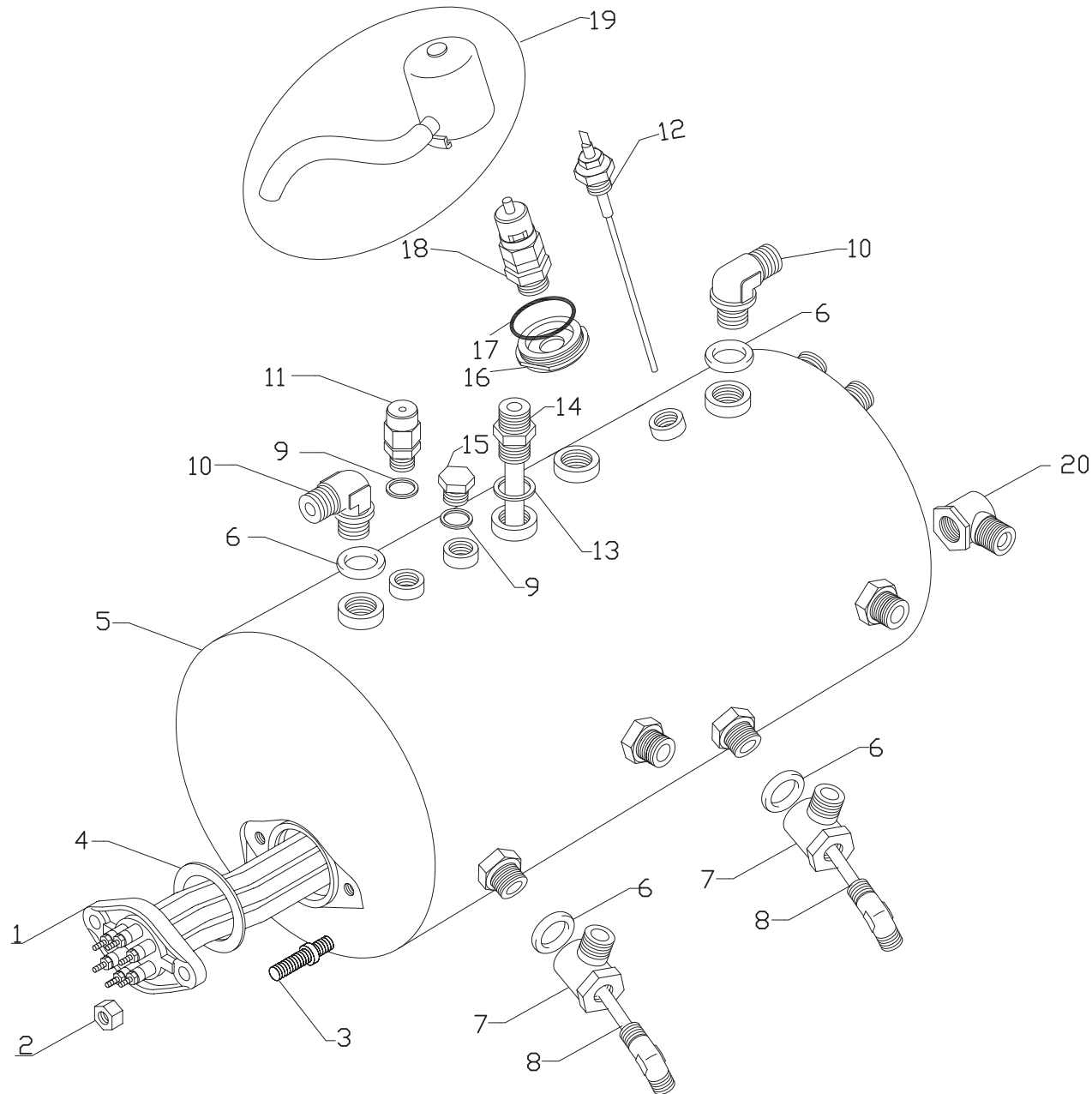
KESSEL

CAZAN

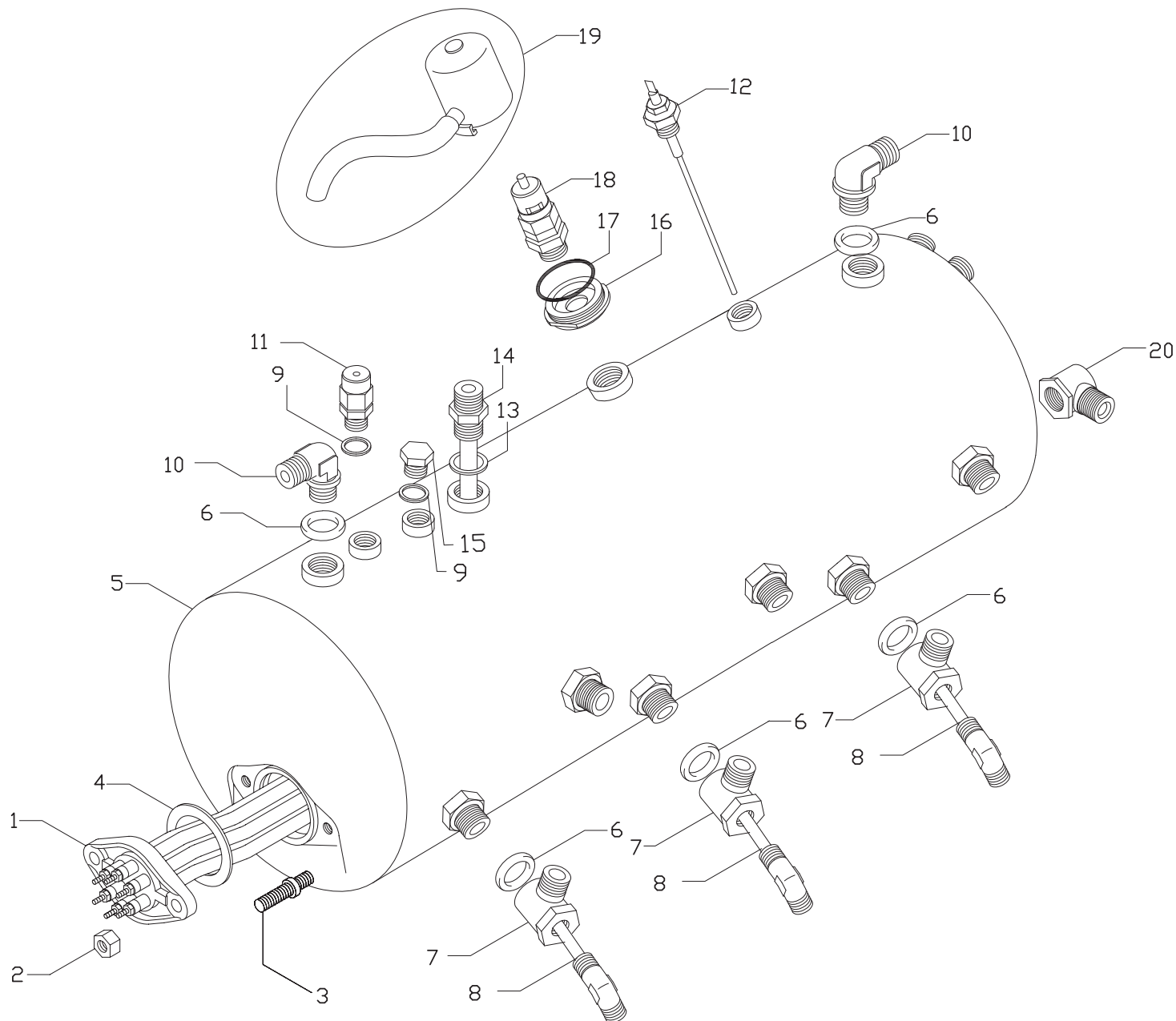
**NEW START**



Pos.	Cod	Denominazione - IT -	Denomination - GB -	Denomination - FR -	Denomination - DE -	Denumire - RO -
1	17012	RES.1GR 6P 230/380V 2700W	HEAT.ELEM.1GR 230/380V 2700W 6P.	RESIST.1GR 230/380V 2700W 6P.	HEIZKORPER 1GR 230/380V 2700W 6P.	REZIST.1GR 6P 230/380V 2700W
2	23049	DADO OTTONE M8 UNI 5587	BRASS NUT M8 UNI 5587	ECROU LAITON M8 UNI 5587	MESSING-SCHRAUBENMUTTER M8 UNI 5587	PIULITA DIN ALAMA MM8UUNNI55887
3	23132001	PRIG.INOX M8 FONDO CALD.ECON.	M8 S.STEEL BOTTOM STUD BOLT	PRISONNIER INOX M8 FOND	STIFTSCHRAUBE EDELSTAHL M8 BODEN	SURUB PT. PRINDEREA REZIS. PE CAZA
4	12001	GU TEFLON VERGI.x RES/SCA 58x43x2	TEFLON GASKET ELEM./EXCH. 58x43x2	JOINT TEFLON RESIST/ECHANG.58x43x2	TEFLON DICHTUNG 58x23x2	GARNITUTRA DIN TEFLON 58X43X2
5	62020009	CLD 1GR CTS 6LT ECON.SC.80	BOILER 1GR CTS 6LT - ECO SC.80	CHAUDIERE 1GR CTS 6LT - ECO SC.80	KESSEL 1GR CTS 6LT - ECO SC.80	CAZAN 1GR CTS 6LT ECON. SC.80
6	12101	GU CU/ALIM 3/8 22x17x3	3/8 22x17x3 FEEDER/COPPER SEAL	JOINT CUIVRE/ALIM 3/8 22x17x3	KUPFERDICHTUNG/SPEIS. 3/8 22x17x3	GARNITURA CUPRU 3/8 22X17X3
7	43030001	RACC.INIETTORE IT.3/8Fx3/8Mx14F	3/8Fx3/8Mx14F INJECTOR FITTING	RACC. INJECTEUR 3/8Fx3/8Mx14F	ANSCHLUSS EINSPRITZER 3/8Fx3/8Mx14F	RAC.INJECTOR 3/8FX3/8MX14F
8	52000410	TBS.D-6 L.85 AEP-SAE/2 GL11 INIETT.	TUBE D-6 L.85 GL11	TUYAU D-6 L.85 GL11	ROHR D-6 L.85 GL11	TUB D-6 L.85 AEP-SAE/2 GL11
9	25785	TAPPO MASCHIO 3/8	MALE CAP 3/8	BOUCHON MALE 3/8	STOPFEN 3/8	DOP 3/8
10	12154	GUARNIZIONE CU 3/8 22X17X1.5	3/8 22X17X1.5 COPPER SEAL	JOINT CUIVRE 3/8 22X17X1.5	KUPFERDICHTUNG 3/8 22X17X1.5	GARNITURA DIN CUPRU 3/8 22X17X1.5
11	12153	GU CU 1/4 17x13.3x1.5	1/4 17x13.3x1.5 COPPER SEAL	JOINT CUIVRE 1/4 17x13.3x1.5	KUPFERDICHTUNG 1/4 17x13.3x1.5	GARN. DIN CUPRU 1/4 17X13.3X1.5
12	56150	VALVOLA ANTIRISUCCHIO V.A.R.	ANTI-EDDY VALVE V.A.R.	SOUPAPE ANTI-DEPRESSION V.A.R.	VENTIL UNTERDRUCKFREI V.A.R.	VALVA ANTIRETUR V.A.R.
13	52001612	TUBO D-10 L.115 1>4GR	TUBE D-10 L.115 1>4GR	TUYAU D-10 L.115 1>4GR	ROHR D-10 L.115 1>4GR	TUB D-10 L.115 1-4 GRUPURI DE 13.
14	20251	SONDA LIV.TL 10/B L125 908600	TL 10/B L125 908600 LEVEL PROBE	JAUGE TL 10/B L125 908600	PEGELFÜHLER TL 10/B L125 908600	SONDA DE NIV.TL 10/B L125 908600
15	15006001	FLANGIA GREENAMID 66 G50 H VALV.SIC.	FLANGE GREENAMID VALVE	JOINT GREENAMID VANNE	FLANSCH GREENAMID VENTIL	FLANSA GREENAMID PT.VALVA DE SIGUR.
16	12300000	GU OR 3156 VITON x VALV.SIC.	O RING VITON	JOINT OR VITON	OR DICHTUNG VITON	GARN. OR.3156 VITON PT.VALV.DE SIG
17	20352	VALV.SICUREZZA *CE* + SIG.CMA	*CE* SAFETY VALVE	SOUPAPE DE SECURITE *CE*	SICHERHEITSVENTIL *CE*	VALVA DE SIGURANTA *CE*
18	56009980	ASS.PROT.VALVOLE SICUREZZA	UNIT PROTECTION VALVE	ENSEMBLE PROTECTION VANNE	SATZ-SCHUTZGITTER VENTIL	ANS.DE PROT. PT. VALVA DE SIGURAN.
19	43052	RACORD "L" 3/8	CONNECTOR "L" 3/8	RACCORD "L" 3/8	ANSCHLUSS "L" 3/8	RACORD "L" 3/8
20	43070	RACC."L" 3/8F GAS CON. x 3/8M GAS	CONNECTOR L 3/8 GAS x 3/8 GAS	RACCORD L 3/8 GAZ x 3/8 GAZ	FITTING L 3/8 GAS x 3/8 GAS	RACORD "L" 3/8F GAS CU 3/8M GAS



Pos.	Cod	Denominazione - IT -	Denomination - GB -	Denomination - FR -	Denomination - DE -	Denumire - RO -
1	17059	RESIST. 2G 6P 230/380V 3400W	HEATING EL.2GR 220/380V-3400W 6P	RESISTANCE 2GR 220/380V-3400W 6P	HEIZKORPER 2GR 220/380V-3400W 6P	REZIST.2GR 6P 230/380V 3400W
1	17050	RES.2GR 4P 120V 2600W	HEATING.2GR 4P 120V 2600W	RESISTANCE.2GR 4P 120V 2600W	HEIZKORPER.2GR 4P 120V 2600W	REZIST.2GR 4P 120V 2600W
2	23049	DADO OTTONE M8 UNI 5587	BRASS NUT M8 UNI 5587	ECROU LAITON M8 UNI 5587	MESSING-SCHRAUBENMUTTER M8 UNI 5587	PIULITA DIN ALAMA M8 UNI 5587
3	23132001	PRIG.INOX M8 FONDO CALD.ECONO.	M8 STAINLESS STEEL BOTTOM STUD BOLT	PRISONNIER INOX M8 FOND	STIFTSCHRAUBE EDELSTAHL M8 BODEN	SURUB PT. PRINDEREA REZIS. PE CAZAN
4	12001	GU TEFLON VERG. x RES/SCA 58x43x2	TEFLON GASKET ELEMENT/EXCH. 58x43x2	JOINT TEFLON RESIST/ECHANG. 58x43x2	TEFLON DICHTUNG 58x23x2	GARNITUTRA DIN TEFLON 58x43x2
5	62143009	CALDAIA 2GR CTS ECONOMICA SC.80	BOILER 2GR CTS- ECO - SC.80	CHAUDIERE 2GR CTS - ECO SC.80	KESSEL 2GR CTS -ECO SC.80	CAZAN 2GR CTS ECON. SC.80
6	12101	GU CU/ALIM 3/8 22x17x3	3/8 22x17x3 FEEDER/COPPER SEAL	JOINT CUIVRE/ALIM 3/8 22x17x3	KUPFERDICHTUNG/SPEIS. 3/8 22x17x3	GARN. DIN CUPRU 3/8 22x17x3
7	43030001	RACC.INIETTORE 3/8Fx3/8Mx14F	3/8Fx3/8Mx14F INJECTOR FITTING	RACC. INJECTEUR 3/8Fx3/8Mx14F	ANSCHLUSS EINSPRITZER 3/8Fx3/8Mx14	FRAC.INJECTOR 3/8Fx3/8Mx14F
8	52000410	TBS.D-6 L.85 AEP-SAE/2 GL11 INIETT.	TUBE D-6 L.85 GL11	TUYAU D-6 L.85 GL11	ROHR D-6 L.85 GL11	TUB D-6 L.85 AEP-SAE/2 GL11
9	12153	GU CU 1/4 17x13.3x1.5	1/4 17x13.3x1.5 COPPER SEAL	JOINT CUIVRE 1/4 17x13.3x1.5	KUPFERDICHTUNG 1/4 17x13.3x1.5	GARN. DIN CUPRU 1/4 17x13.3x1.5
10	43052	RACORD "L" 3/8	CONNECTOR "L" 3/8	RACCORD "L" 3/8	ANSCHLUSS "L" 3/8	RACORD "L" 3/8
11	56150	VALVOLA ANTIRISUCCHIO V.A.R.	ANTI-EDDY VALVE V.A.R.	SOUPAPE ANTI-DEPRESSION V.A.R.	VENTIL UNTERDRUCKFREI V.A.R.	VALVA ANTIRETUR V.A.R.
12	20251	SONDA LIV. TL 10/B L125 908600	TL 10/B L125 908600 LEVEL PROBE	JAUGE TL 10/B L125 908600	PEGELFÜHLER TL 10/B L125 908600	SONDA DE NIVEL TL 10/B L125 908600
13	12154	GU CU 3/8 22x17x1.5	3/8 22x17x1.5 COPPER SEAL	JOINT CUIVRE 3/8 22x17x1.5	KUPFERDICHTUNG 3/8 22x17x1.5	GARNITURA DIN CUPRU 3/8 22x17x1.5
14	52001612	TBS.D-10 L.115 1>4GR DE 13 PES	TUBE D-10 L.115 1 4GR DE 13	TUYAU D-10 L.115 1 4GR DE 13	ROHR D-10 L.115 1 4GR DE 13	TUB D-10 L.115 1>4GR DE 13
15	25780	TAPPO MASCHIO OTTONE 1/4	BRASS MALE CAP 1/4	BOUCHON MALE LAITON 1/4	MESSING-STOPFEN 1/4	DOP DIN ALAMA PT. MASC. 1/4
16	15006001	FLANGIA GREENAMID 66 G50 H VALV.SIC.	FLANGE GREENAMID VALVE	JOINT GREENAMID VANNE	FLANSCH GREENAMID VENTIL	FLANSA GREENAMID PT.VALVA DE SIGUR.
17	12300000	GU OR 3156 VITON x VALV.SIC.	O RING VITON	JOINT OR VITON	OR DICHTUNG VITON	GARN.OR.3156 PT.VALVA DE SIGUR.
18	20352	VALVOLA SICUREZZA *CE* + SIG.CMA	*CE* SAFETY VALVE	SOUPAPE DE SECURITE *CE*	SICHERHEITSVENTIL *CE*	VALVA DE SIGURANTA *CE*
19	56009980	ASS.PROT.VALVOLE SICUREZZA	UNIT PROTECTION VALVE	ENSEMBLE PROTECTION VANNE	SATZ-SCHUTZGITTER VENTIL	ANS. DE PROT. PT. VALVA DE SIG.
20	43070	RACC."L" 3/8F GAS CON. x 3/8M GAS	CONNECTOR L 3/8 GAS x 3/8 GAS	RACCORD L 3/8 GAZ x 3/8 GAZ	FITTING L 3/8 GAS x 3/8 GAS	RACORD "L" 3/8F GAS CU 3/8M GAS



Pos.	Cod	Denominazione - IT -	Denomination - GB -	Denomination - FR -	Denomination - DE -	Denumire - RO -
1	17107	RES.3GR 6P 230/380V 5000W	HEATING EL.3GR 220/240V 5000/5440 6P	RESISTANCE 3GR 220/240V 5000/5440W	HEIZKORPER 3GR 220/240V 5000/5440W	REZIST 3GR 6P 230/380V 5000W
2	23049	DADO OTTONE M8 UNI 5587	BRASS NUT M8 UNI 5587	ECROU LAITON M8 UNI 5587	MESSING-SCHRAUBENMUTTER M8 UNI 5587	PIULITA DIN ALAMA M8 UNI 5587
3	23132001	PRIG.INOX M8 FONDO CALD.ECONO.	M8 STAINLESS STEEL BOTTOM STUD BOLT	PRISONNIER INOX M8 FOND	STIFTSCHRAUBE EDELSTAHL M8 BODEN	SURUB PT.PRINDEREA REZIS.PE CAZ
4	12001	GU PTFE VERG.x RES/SCA 58x43x2	TEFLON GASKET ELEMENT/EXCH. 58x43x2	JOINT TEFLON RESIST/ECHANG.58x43x2	TEFLON DICHTUNG 58x23x2	GARNITUTRA DIN TEFLON 58x43x2
5	62250009	CALDAIA 3GR CTS ECONO.SC.80	BOILER 3GR CTS- ECO - SC.80	CHAUDIERE 3GR CTS - ECO SC.80	KESSEL 3GR CTS -ECO SC.80	CAZAN 3GR CTS ECON. SC.80
6	12101	GU CU/ALIM 3/8 22x17x3	3/8 22x17x3 FEEDER/COPPER SEAL	JOINT CUIVRE/ALIM 3/8 22x17x3	KUPFERDICHTUNG/SPEIS. 3/8 22x17x3	GARN. DIN CUPRU 3/8 22x17x3
7	43030001	RACC.INIETTORE 3/8Fx3/8Mx14F	3/8Fx3/8Mx14F INJECTOR FITTING	RACC. INJECTEUR 3/8Fx3/8Mx14F	ANSCHLUSS EINSPRITZER 3/8Fx3/8Mx14F	RAC.INJECTOR 3/8Fx3/8Mx14F
8	52000410	TBS.D-6 L.85 AEP-SAE/2 GL11 INIETT.	TUBE D-6 L.85 GL11	TUYAU D-6 L.85 GL11	ROHR D-6 L.85 GL11	TUB D-6 L.85 AEP-SAE/2 GL11
9	12153	GU CU 1/4 17x13.3x1.5	1/4 17x13.3x1.5 COPPER SEAL	JOINT CUIVRE 1/4 17x13.3x1.5	KUPFERDICHTUNG 1/4 17x13.3x1.5	GARN. DIN CUPRU 1/4 17x13.3x1.5
10	43052	RACORD "L" 3/8	CONNECTOR "L" 3/8	RACCORD "L" 3/8	ANSCHLUSS "L" 3/8	RACORD "L" 3/8
11	56150	VALVOLA ANTIRISUCCHIO V.A.R.	ANTI-EDDY VALVE V.A.R.	SOUPAPE ANTI-DEPRESSION V.A.R.	VENTIL UNTERDRUCKFREI V.A.R.	VALVA ANTIRETUR V.A.R.
12	20251	SONDA LIVELLO TL 10/B L125 908600	TL 10/B L125 908600 LEVEL PROBE	JAUGE TL 10/B L125 908600	PEGELFÜHLER TL 10/B L125 908600	SONDA DE NIV.TL 10/B L125 908600
13	12154	GU CU 3/8 22x17x1.5	3/8 22x17x1.5 COPPER SEAL	JOINT CUIVRE 3/8 22x17x1.5	KUPFERDICHTUNG 3/8 22x17x1.5	GARN. DIN CUPRU 3/8 22x17x1.5
14	52001612	TBS.D-10 L.115 1>4GR DE 13 PES	TUBE D-10 L.115 1 4GR DE 13	TUYAU D-10 L.115 1 4GR DE 13	ROHR D-10 L.115 1 4GR DE 13	TUB D-10 L.115 1>4GR DE 13
15	25780	TAPPO MASCHIO OTTONE 1/4	BRASS MALE CAP 1/4	BOUCHON MALE LAITON 1/4	MESSING-STOPFEN 1/4	DOP DIN ALAMA PT. MASC. 1/4
16	15006001	FLANGIA GREENAMID 66 G50 H VALV.SIC.	FLANGE GREENAMID VALVE	JOINT GREENAMID VANNE	FLANSCH GREENAMID VENTIL	FLANSA GREENAMID PT.VALVA DE SIG
17	12300000	GU OR 3156 VITON x VALV.SIC.	O RING VITON	JOINT OR VITON	OR DICHTUNG VITON	GARN.OR.3156 PT.VALVA DE SIG.
18	20352	VALVOLA SICUREZZA *CE* + SIG.CMA	*CE* SAFETY VALVE	SOUPAPE DE SECURITE *CE*	SICHERHEITSVENTIL *CE*	VALVA DE SIGURANTA *CE*
19	56009980	ASS.PROT.VALVOLE SICUREZZA	UNIT PROTECTION VALVE	ENSEMBLE PROTECTION VANNE	SATZ-SCHUTZGITTER VENTIL	ANS. DE PROT.PT.VALVA DE SIG.
20	43070	RACC."L" 3/8F GAS CON. x 3/8M GAS	CONNECTOR L 3/8 GAS x 3/8 GAS	RACCORD L 3/8 GAZ x 3/8 GAZ	FITTING L 3/8 GAS x 3/8 GAS	RAC."L"3/8F GAS CU 3/8M GAS

## INDICE - INDEX - SOMMAIRE - VERZEICHNIS-INDEX

rev.

**ISA-40**

IMPIANTO IDRAULICO AEP/1 - HYDRAULIC CIRCUIT AEP/1  
CIRCUIT HYDRAULIQUE AEP/1 - WASSER ANLAGE AEP/1 - CIRCUIT HIDRAULIC AEP/1

**00**  
03/2014

**ISA-41**

IMPIANTO IDRAULICO SAE/1 - HYDRAULIC CIRCUIT SAE/1  
CIRCUIT HYDRAULIQUE SAE/1 - WASSER ANLAGE SAE/1 - CIRCUIT HIDRAULIC SAE/1

**00**  
03/2014

**ISA-42**

IMPIANTO IDRAULICO AEP/2 - HYDRAULIC CIRCUIT AEP/2  
CIRCUIT HYDRAULIQUE AEP/2 - WASSER ANLAGE AEP/2 - CIRCUIT HIDRAULIC AEP/2

**00**  
03/2014

**ISA-43**

IMPIANTO IDRAULICO SAE/2 - HYDRAULIC CIRCUIT SAE/2  
CIRCUIT HYDRAULIQUE SAE/2 - WASSER ANLAGE SAE/2 - CIRCUIT HIDRAULIC SAE/2

**00**  
03/2014

**ISA-44**

IMPIANTO IDRAULICO AEP/3 - HYDRAULIC CIRCUIT AEP/3  
CIRCUIT HYDRAULIQUE AEP/3 - WASSER ANLAGE AEP/3 - CIRCUIT HIDRAULIC AEP/3

**00**  
03/2014

**ISA-45**

IMPIANTO IDRAULICO SAE/3 - HYDRAULIC CIRCUIT SAE/3  
CIRCUIT HYDRAULIQUE SAE/3 - WASSER ANLAGE SAE/3 - CIRCUIT HIDRAULIC SAE/3

**00**  
03/2014

IMPIANTO IDRAULICO

HYDRAULIC CIRCUIT

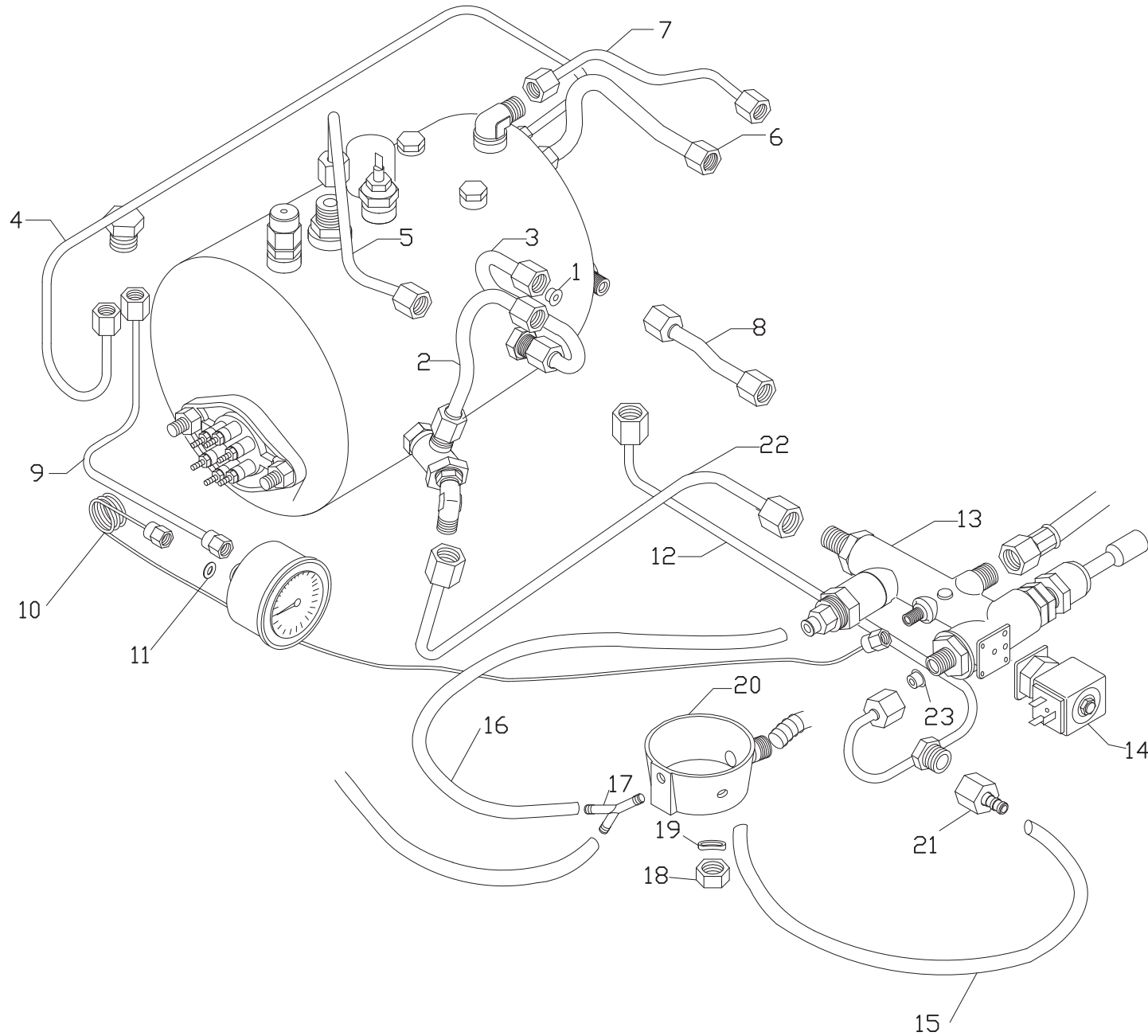
CIRCUIT HYDRAULIQUE

WASSER ANLAGE

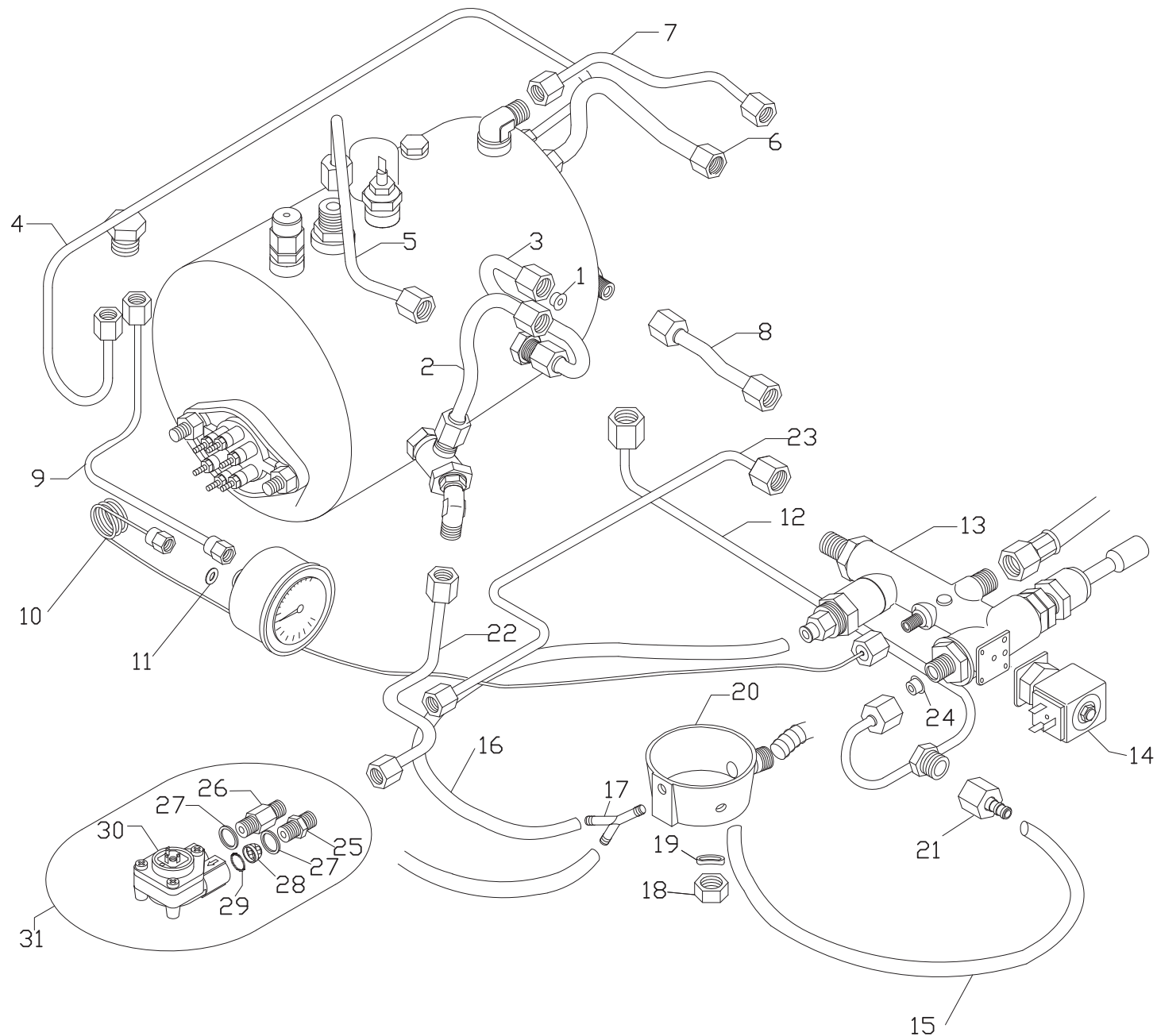
CIRCUIT HIDRAULIC

NEW START

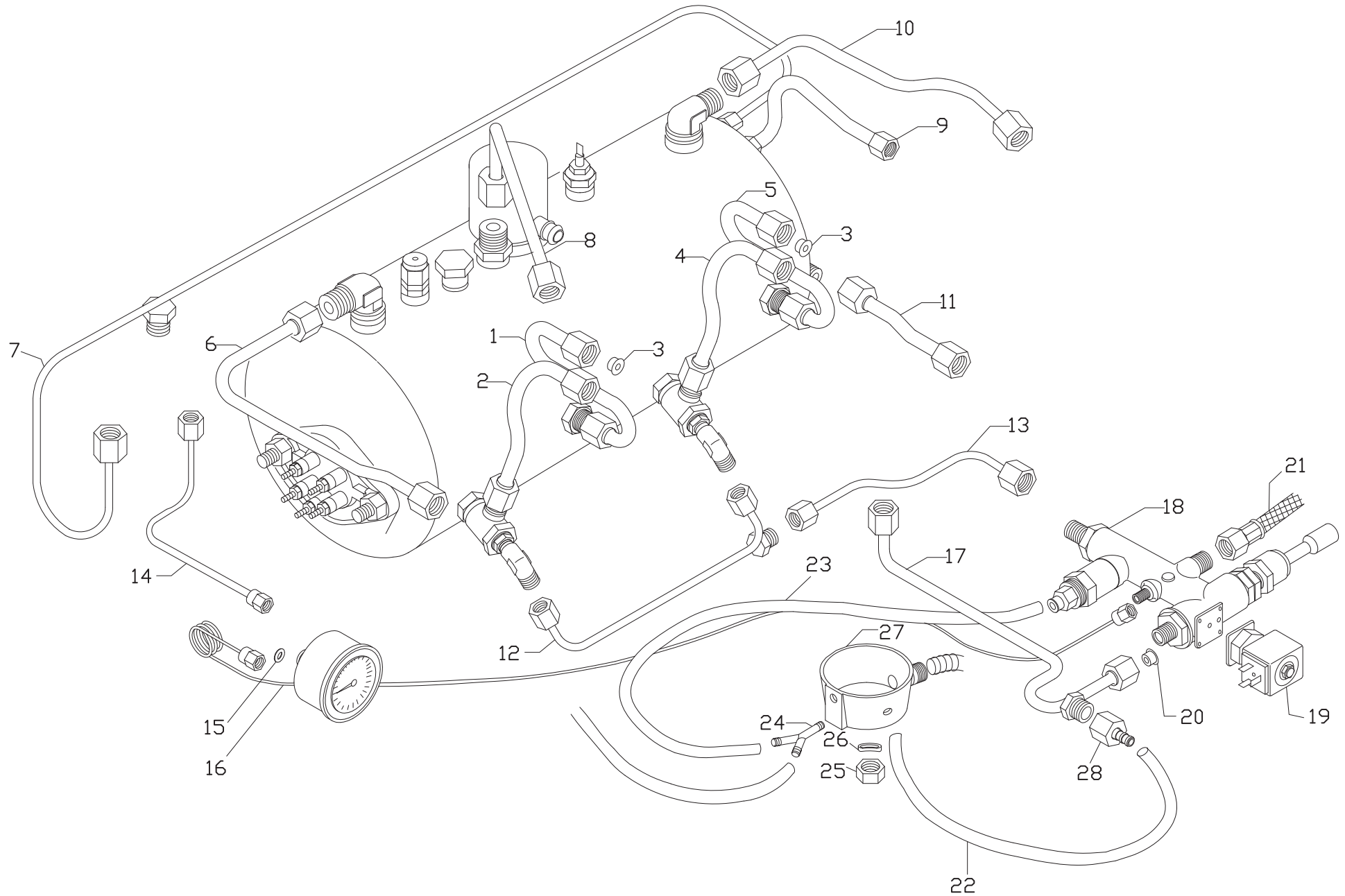




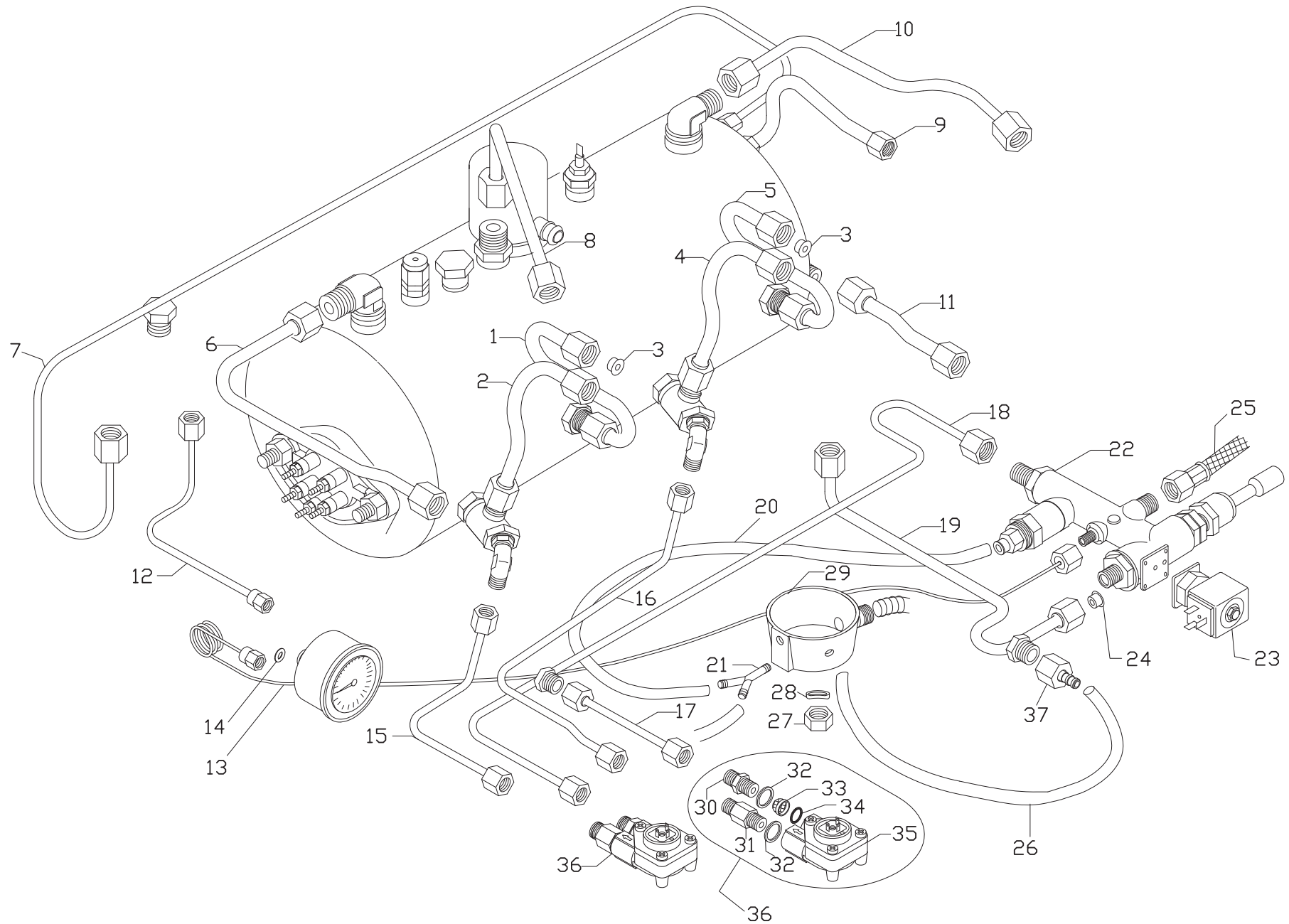
Pos.	Cod	Denominazione - IT -	Denomination - GB -	Denomination - FR -	Denomination - DE -	Denumire - RO -
1	23294003	STROZZATURA RICIRCOLO GR CTS D 4	CTS UNIT D 4 RECIRC. NECK	ETRANGLEMENT RECYCLAGE GR.D.4	ENGSTELLE UMWLZUNG D. 4	JIGLER PT.CIRCULATIE APA GR CTS D.4
1	23294001	STROZZATURA RICIRCOLO GR CTS D 2,5	CTS UNIT D 2,5 RECIRC. NECK	ETRANGLEMENT RECYCLAGE GR.D.2,5	ENGSTELLE UMWLZUNG D. 2,5	JIGLER PT.CIRCULATIE APA GR CTS D.2,5
2	52000245	TBS.D-10 L.165 DV46 SCAMBIATOR	TUBE D-10 L.165 PIPE DV 46	TUYAU D-10 L.165 DV 46	ROHR D. 10 L.165 DV 46	TUB D-10 L.165 DV46 SCHIMBATOR
3	52005114	TBS.D-10 L.160 START CTS 1GR SA15 GRUPPO > EX	TUBE.D-10 L.160 START CTS 1GR SA15 GROUP> EX	TUYAU.D-10 L.160 START CTS 1GR SA15 GROUPE>	ROHR.D-10 L.160 START CTS 1GR SA15 GROUP> TA	TUB.D-10 L.160 START CTS 1GR SA15 GRUP> SCH
4	52005115	TBS.D-6 L.425 START CTS 1GR SA16 CLD > PRESS	TUBE.D-6 L.425 START CTS 1GR SA16 BOILER> PRE	TUYAU.D-6 L.425 START CTS 1GR SA16 CHAUDIERE	ROHR.D-6 L.425 START CTS 1GR SA16 KESSEL> DR	TUB.D-6 L.425 START CTS 1GR SA16 CAZAN> PRE
5	52005116	TUB.D-8 L.270 START CTS 1GR SA17 CLD > EV.H2O	TUBE.D-8 L.270 START CTS 1GR SA17 CLD > EV.H2O	TUYAU.D-8 L.270 START CTS 1GR SA17 CHAUDIERE	ROHR.D-8 L.270 START CTS 1GR SA17 KESSEL> EV	TUB.D-8 L.270 START CTS 1GR SA17 CAZAN> EVA
6	52005118	TUB.D-10 L.260 START CTS 1GR SA19 CLD > LIV.SI	TUBE.D-10 L.260 START CTS 1GR SA19 BOILER> UPPI	TUB.D-10 L.260 START CTS 1GR SA19 CHAUDIERE>	TUB.D-10 L.260 START CTS 1GR SA19 KESSEL> UPF	TUB.D-10 L.260 START CTS 1GR SA19 CAZAN> NIV
7	52005117	TUB.D-8 L.295 START CTS 1GR SA18 CLD > VAP.D	TUB.D-8 L.295 START CTS 1GR SA18 BOILER> STEA	TUB.D-8 L.295 START CTS 1GR SA18 CHAUDIERE> V	TUB.D-8 L.295 START CTS 1GR SA18 KESSEL> STEA	TUB.D-8 L.295 START CTS 1GR SA18 CAZAN> ABU
8	52002958	TBS. D-10 L.160 W 1/E	TUBE D-10 L.160 W 1/E	TUYAU D-10 L.160 W 1/E	ROHR D-10 L.160 W 1/E	TUB D-10 L.160
9	52005109	TBS.D-4 L.475 START CTS SA10 CALDAIA > MANOM	TBS.D-4 L.475 START CTS SA10 BOILER> GAUGE	TBS.D-4 L.475 START CTS SA10 CHAUDIERE> CALIB	TBS.D-4 L.475 START CTS SA10 KESSEL> LEHRE	TBS.D-4 L.475 START CTS SA10 CAZAN> MANOME
10	52003056	TBS.D-2 L.500 1/8-1/8 GL214 CA.MANOM.	TUBE D-2 L.500 1/8-1/8 GL214	TUYAU D-2 L.500 1/8-1/8 GL214	ROHR D-2 L.500 1/8-1/8 GL214	TUB D-2 L.500 1/8-1/8 GL214
11	12155001	GUARNIZIONE CU 8.5x3.3x1	COPPER GASKET 8.5X3.3X1	JOINT CU 8.5X3.3X1	KUPFERDICHTUNG 8.5x3.3x1	GARNITURA DIN CUPRU 8.5X3.3X1
12	52004328	TBS.D-8 L600 1GR W351 W.ECO-10 DISTR> CLD	TUBE D-8 L600 1GR W351	TUYAU D-8 L600 1GR W351	ROHR D-8 L600 1GR W351	TUB D-8 L600 1GR W351 DISTR>CAZ
13	61016001	DISTRIBUTORE MULT.CARICO H2O C/W.ECO-10	WATER DISTRIBUTION BLOCK	DISTRIBUTEUR EAU	WASSER VERTEILER	DISTR.MULTIFUNC. H2O C/W.ECO-10
14	18159002	EL.AEA 220/240V 50-60Hz 125CR	SOL.VALVE 220/240V 50-60Hz	ELECTROVANNE 220/240V 50-60Hz	ELEKTROVENTIL 220/240V 50-60Hz	EL.AEA 220/240V 50-60Hz 125CR
15	15452113	TUBO SILICONE PLAT.D-6x9 L.195	SILICONE TUBE D-6x9 L.195	TUYAU SILICONE D-6x9 L.195	SILIKONROHR D-6x9 L.195	FURTUN DE SILICON D-6x9 L.195
16	15452098	TUBO SILICONE PLATINICO 6x9 L.270	SILICONE TUBE D-6x9 L.270	TUYAU SILICONE D-6x9 L.270	SILIKONROHR D-6x9 L.270	FURTUN DIN SILICON D-6x9 L.270
17	15422010	RACC. "Y" POLIPROPILENE D-10	Y POLIPROPILENE FITTING D-10	RACCORD "Y" POLIPROPILENE D-10	ANSCHLUSS "Y" POLIPROPILENE D-10	RACORD IN FORMA DE "Y" DIN POLIPROPILENA D
18	23052	DADO OTTONE M10 UNI 5587	TOP BRASS NUT M10 UNI 5587	ECROU LAITON SUP.M10 UNI 5587	UNTER/MESSING MUTTER M10 UNI 5587	PIULITA DIN ALAMA M10 UNI 5587
19	23267	RONDELLA ELAST.ONDUL.D10 DIN137	ELASTIC WASHER D10 DIN137	RONDELLE ELASTIQUE D10 DIN137	ELASTISCHE SCHEIBE D10 DIN137	SAIBA ELASTICA OND.D10 DIN137
20	15502	VASCHETTA SCARICO ROTONDA D 80mm	ROUND DRAIN BASIN D.80mm	CUVE A VIDANGER RONDE D.80mm	RUNDE ABFLUSSCHALE D.80mm	VAS DE SCURGERE ROTUND D.80mm
21	257396	RACC.SCARICO CALDAIA ASSIEMATO	CONNECTOR DRAIN BOILER	RACCORD DRAINER CHAUDIERE	ANSCHLUSS ABPROPFEN KESSEL	RACORD SCURGERE CAZAN ASAMBLAT
22	52004356	TBS.D-6 L.300 AEP/1 AR164 TANYA	TUBE D-6 L.300 AEP/1 AR164 TANYA	TUYAU D-6 L.300 AEP/1 AR164 TANYA	ROHR D-6 L.300 AEP/1 AR164 TANYA	TUB D-6 L.300 AEP/1 AR164 TANYA
23	23293012	STROZZATURA PER A.E.A. D1.2 MACCHINA ECO-1	NECK A.E.A D-1.2	ETRANGLEMENT A.E.A D-1.2	UMWALZUNG A.E.A D-1.2	JIGLER A.E.A. D1.2 MASINA ECO-10



Pos.	Cod	Denominazione - IT -	Denomination - GB -	Denomination - FR -	Denomination - DE -	Denumire - RO -
1	23294003	STROZZATURA RICIRCOLO GR CTS D 4	CTS UNIT D 4 RECIRC. NECK	ETRANGLEMENT RECYCLAGE GR.D.4	ENGSTELLE UMWLZUNG D. 4	JIGLER PT.CIRCULATIE APA GR CTS D.
1	23294001	STROZZATURA RICIRCOLO GR CTS D 2,5	CTS UNIT D 2,5 RECIRC. NECK	ETRANGLEMENT RECYCLAGE GR.D.2,5	ENGSTELLE UMWLZUNG D. 2,5	JIGLER PT.CIRCULATIE APA GR CTS D.
2	52000245	TBS.D-10 L.165 DV46 SCAMBIATOR	TUBE D-10 L.165 PIPE DV 46	TUYAU D-10 L.165 DV 46	ROHR D. 10 L.165 DV 46	TUB D-10 L.165 DV46 SCHIMBATOR
3	52005114	TBS.D-10 L.160 START CTS 1GR SA15 GRUPPO > S	TUBE.D-10 L.160 START CTS 1GR SA15 GROUP> EXI	TUYAU.D-10 L.160 START CTS 1GR SA15 GROUPE>	ROHR.D-10 L.160 START CTS 1GR SA15 GROUP> T	TUB.D-10 L.160 START CTS 1GR SA15 GRUP> SCI
4	52005115	TBS.D-6 L.425 START CTS 1GR SA16 CLD > PRESS	TUBE.D-6 L.425 START CTS 1GR SA16 BOILER> PRE	TUYAU.D-6 L.425 START CTS 1GR SA16 CHAUDIERE	ROHR.D-6 L.425 START CTS 1GR SA16 KESSEL> DR	TUB.D-6 L.425 START CTS 1GR SA16 CAZAN> PRE
5	52005116	TUB.D-8 L.270 START CTS 1GR SA17 CLD > EV.H2O	TUBE.D-8 L.270 START CTS 1GR SA17 CLD > EV.H2O	TUYAU.D-8 L.270 START CTS 1GR SA17 CHAUDIERE	ROHR.D-8 L.270 START CTS 1GR SA17 KESSEL> EV	TUB.D-8 L.270 START CTS 1GR SA17 CAZAN> EVA
6	52005118	TUB.D-10 L.260 START CTS 1GR SA19 CLD > LIV.SI	TUBE.D-10 L.260 START CTS 1GR SA19 BOILER> UPP	TUB.D-10 L.260 START CTS 1GR SA19 CHAUDIERE>	TUB.D-10 L.260 START CTS 1GR SA19 KESSEL> UPF	TUB.D-10 L.260 START CTS 1GR SA19 CAZAN> NI
7	52005117	TUB.D-8 L.295 START CTS 1GR SA18 CLD > VAP.D	TUBE.D-8 L.295 START CTS 1GR SA18 BOILER> STEA	TUB.D-8 L.295 START CTS 1GR SA18 CHAUDIERE> V	TUB.D-8 L.295 START CTS 1GR SA18 KESSEL> STE	TUB.D-8 L.295 START CTS 1GR SA18 CAZAN> ABL
8	52002958	TBS. D-10 L.160 W 1/E	TUBE D-10 L.160 W 1/E	TUYAU D-10 L.160 W 1/E	ROHR D-10 L.160 W 1/E	TUB D-10 L.160
9	52005109	TBS.D-4 L.475 START CTS SA10 CALDAIA > MANOM	TBS.D-4 L.475 START CTS SA10 BOILER> GAUGE	TBS.D-4 L.475 START CTS SA10 CHAUDIERE> CALIB	TBS.D-4 L.475 START CTS SA10 KESSEL> LEHRE	TBS.D-4 L.475 START CTS SA10 CAZAN> MANOME
10	52003056	TBS.D-2 L.500 1/8-1/8 GL214 CA.MANOM.	TUBE D-2 L.500 1/8-1/8 GL214	TUYAU D-2 L.500 1/8-1/8 GL214	ROHR D-2 L.500 1/8-1/8 GL214	TUB D-2 L.500 1/8-1/8 GL214
11	12155001	GUARNIZIONE CU 8.5x3.3x1	COPPER GASKET 8.5X3.3X1	JOINT CU 8.5X3.3X1	KUPFERDICHTUNG 8.5x3.3x1	GARNITURA DIN CUPRU 8.5X3.3X1
12	52004328	TBS.D-8 L600 1GR W351 W.ECO-10 DISTR> CLD	TUBE D-8 L600 1GR W351	TUYAU D-8 L600 1GR W351	ROHR D-8 L600 1GR W351	TUB D-8 L600 1GR W351 DISTR>CAZ
13	61016001	DISTRIBUTORE MULT.CARICO H2O C/W.ECO-10	WATER DISTRIBUTION BLOCK	DISTRIBUTEUR EAU	WASSER VERTEILER	DISTR.MULTIFUNC. H2O C/W.ECO-10
14	18159002	EL.AEA 220/240V 50-60Hz 125CR	SOL.VALVE 220/240V 50-60Hz	ELECTROVANNE 220/240V 50-60Hz	ELEKTROVENTIL 220/240V 50-60Hz	EL.AEA 220/240V 50-60HZ 125CR
15	15452113	TUBO SILICONE PLAT.D-6x9 L.195	SILICONE TUBE D-6x9 L.195	TUYAU SILICONE D-6x9 L.195	SILIKONROHR D-6x9 L.195	FURTUN DE SILICON D-6X9 L.195
16	15452098	TUBO SILICONE PLATINICO 6x9 L.270	SILICONE TUBE D-6x9 L.270	TUYAU SILICONE D-6x9 L.270	SILIKONROHR D-6x9 L.270	FURTUN DIN SILICON D-6X9 L.270
17	15422010	RACC. "Y" POLIPROPILENE D-10	Y POLIPROPILENE FITTING D-10	RACCORD "Y" POLIPROPILENE D-10	ANSCHLUSS "Y" POLIPROPILENE D-10	RACORD IN FORMA DE "Y" DIN POLIPROPILENA D
18	23052	DADO OTTONE M10 UNI 5587	TOP BRASS NUT M10 UNI 5587	ECROU LAITON SUP.M10 UNI 5587	UNTER/MESSING MUTTER M10 UNI 5587	PIULITA DIN ALAMA M10 UNI 5587
19	23267	RONDELLA ELAST.ONDUL.D10 DIN137	ELASTIC WASHER D10 DIN137	RONDELLE ELASTIQUE D10 DIN137	ELASTISCHE SCHEIBE D10 DIN137	SAIBA ELASTICA OND.D10 DIN137
20	15502	VASCHETTA SCARICO ROTONDA D 80mm	ROUND DRAIN BASIN D.80mm	CUVE A VIDANGER RONDE D.80mm	RUNDE ABFLUSSCHALE D.80mm	VAS DE SCURGERE ROTUND D.80MM
21	257396	RACC.SCARICO CALDAIA ASSIEMATO	CONNECTOR DRAIN BOILER	RACCORD DRAINER CHAUDIERE	ANSCHLUSS ABPROPFEN KESSEL	RACORD SCURGERE CAZAN ASAMBLAT
22	52005112	TUB.D-6 L.195 START CTS 1GR SA13 DOSATORE >	TUBE D-6 L.195 START CTS 1GR SA13 DOSATORE>	TUYAU D-6 L.195 START CTS 1GR SA13 Dosatore> IN	ROHR D-6 L.195 START CTS 1GR SA13 DOSATORE>	TUB.D-6 L.195 START CTS 1GR SA13 DOZATOR> II
23	52005113	TBS.D-6 L.370 START CTS 1GR SA14 DISTRIBUTOF	TUBE .D-6 L.370 START CTS 1GR SA14 DISTRIBUTOF	TUYAU.D-6 L.370 START CTS 1GR SA14 DISTRIBUTE	ROHR.D-6 L.370 START CTS 1GR SA14 HÄNDLER> E	TUB.D-6 L.370 START CTS 1GR SA14 DISTRIBUIT
24	23293012	STROZZATURA PER A.E.A. D1.2 MACCHINA ECO-1	NECK A.E.A D-1.2	ETRANGLEMENT A.E.A D-1.2	UMWALZUNG A.E.A D-1.2	JIGLER A.E.A. D1.2 MASINA ECO-10
25	25686	RACC.1/4x1/4 FLANGIA	CONNECTION 1/4x1/4 FITING	RACCORD 1/4x1/4 BRIDE	ANSCHLUSS 1/4x1/4 FLANSCH	RACORD 1/4X1/4
26	25708	RACC.1/4x1/4 GRUPPO LEVETTA	CONNECTION 1/4x1/4 GTROUPS	RACCORD 1/4x1/4 GROUPE	ANSCHLUSS 1/4x1/4 GRUPPEN	RACORD 1/4X1/4 GRUP
27	12153	GU CU 1/4 17x13.3x1.5	GASKET 1/4 17x13.3x1.5 COPPER	JOINT CUIVRE 1/4 17x13.3x1.5	KUPFERDICHTUNG 1/4 17x13.3x1.5	GARNITURA DIN CUPRU 1/4 17X13.3X1.5.
28	10254	FILTRO ACCIAIO 160-200 MESH	STEEL FILTER 160-200 MESH	FILTRE EN ACIER 160-200 MESH	STAHLFILTER 160-200 MESH	FILTRU DIN OTEL 160-200 MESH.
29	12329	GU OR 2031 VITON 7.66xW1.78 H2O D.E	GASKET OR HNBR 7.66xW1.78	JOINT OR HNBR 7.66x1.78	OR DICHTUNG HNBR 7.66xW1.78	GARNITURA DIN CAUCIUC 7.66XW1.78
30	18126	DOSATORE FLOWMETER FH 12 909602	FLOWMETER DOSER FH 12 909602	DOSEUR FLOWMETER FH 12 909602	DOSIERER FLOWMETER FH 12 909602	DOZATOR VOLUMETRIC FH 12 909602.
31	56122000	ASSIEME DOSATORE	DOSEUR KIT	ENSEMBLE DOSEUR	UNTER DOSIERER	ANSAMBLU DOZATOR VOLUMETRIC

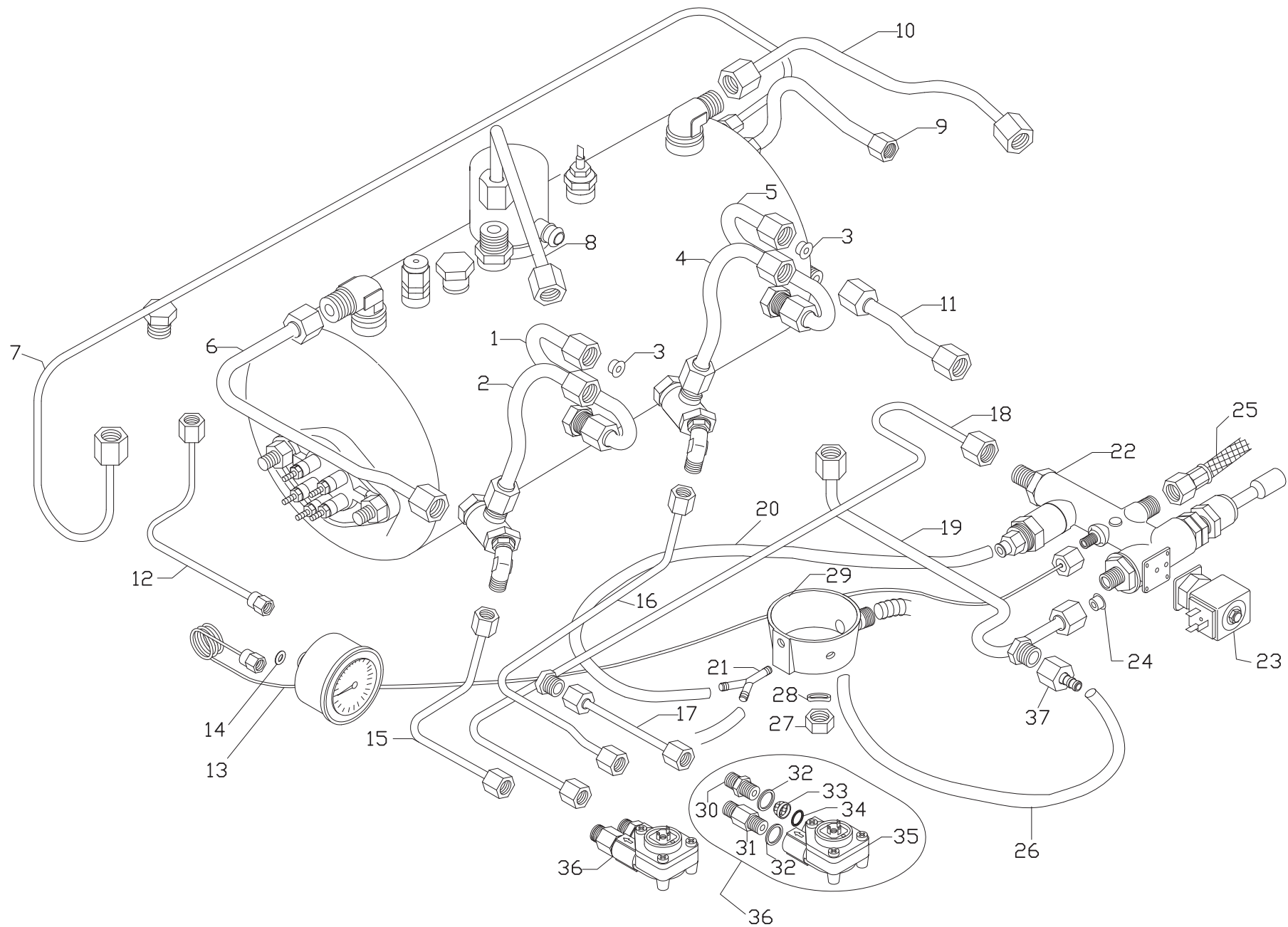


Pos.	Cod	Denominazione - IT -	Denomination - GB -	Denomination - FR -	Denomination - DE -	Denumire - RO -
1	52000214	TBS.D-10 L.195 DV15 SCAMBIATORE SX SUP. > GR	TUBE.D-10 L.195 DV15 EXCHANGE (SUP)> GROUP	TUYAU.D-10 L.195 DV15 ÉCHANGE (SUP)> GROUPE	ROHR.D-10 L.195 DV15 EXCHANGE (SUP)> GROUP	TUB.D-10 L.195 DV15 SCHIMB (SUP)> GRUP (SUP)
2	52000272	TBS.D-10 L.135 DV73 SCAMBIATOR	TUBE D-10 L.135 PIPE DV 73	TUYAU D-10 L.135 DV 73	ROHR D. 10 L.135 DV 73	TUB D-10 L.135 DV73 SCHIMBATOR
3	23294003	STROZZATURA RICIRCOLO GR CTS D 4	CTS UNIT D 4 RECIRC. NECK	ETRANGLEMENT RECYCLAGE GR.D.4	ENGSTELLE UMWLZUNG D. 4	JIGLER PT.CIRCULATIE APA GR CTS D 4
3	23294001	STROZZATURA RICIRCOLO GR CTS D2,5	CTS UNIT D2,5 RECIRC. NECK	ETRANGLEMENT RECYCLAGE GR.D.2,5	ENGSTELLE UMWLZUNG D. 2,5	JIGLER PT.CIRCULATIE APA GR CTS D 2,5
4	52005101	TBS.D-10 L.170 START CTS SA2 SCAMBIATORE (IN	TUBE.D-10 L.170 START CTS SA2 EXCHANGE (INF	TUYAU.D-10 L.170 START CTS SA2 ÉCHANGE (IN)> G	ROHR.D-10 L.170 START CTS SA2 EXCHANGE (IN)> C	TUB.D-10 L.170 START CTS SA2 SCHIMB (IN)> GRUP
5	52003934	TBS.D-10 L.210 MULTI 1G CTS MU	TUBE.D-10 L.210 MULTI 1G CTS MU	TUYAU.D-10 L.210 MULTI 1G CTS MU	ROHR.D-10 L.210 MULTI 1G CTS MU	TUB.D-10 L.210 MULTI 1G CTS MU
6	52005105	TBS.D-8 L.285 START CTS SA6 CALDAIA > VAPORE	TUBE.D-8 L.285 START CTS SA6 BOILER> STEAM S	TUYAU.D-8 L.285 START CTS SA6 CHAUDIERE> VAP	ROHR.D-8 L.285 START CTS SA6 KESSEL> STEAM S	TUB.D-8 L.285 START CTS SA6 CAZAN> ABUR SX
7	52005106	TBS.D-6 L.620 START CTS SA7 PRESS-MAN. > CAL	TUBE.D-6 L.620 START CTS SA7 PRESSURE> BOIL	TUYAU.D-6 L.620 START CTS SA7 PRESSION> CHAU	ROHR.D-6 L.620 START CTS SA7 DRUCK> KESSEL	TUB.D-6 L.620 START CTS SA7 PRESIUNE> CAZAN
8	52005107	TBS.D-8 L.305 START CTS SA8 CALDAIA > EV H2O	TUBE.D-8 L.305 START CTS SA8 BOILER> EXHAUS	TUYAU.D-8 L.305 START CTS SA8 CHAUDIERE> ECH	ROHR.D-8 L.305 START CTS SA8 KESSEL> Auspuff H	TUB.D-8 L.305 START CTS SA8 CAZAN> EVACUARE P
9	52005100	TBS.D-10 L.200 START CTS SA1 CLD > LIV.SUP.	TUBE.D-10 L.200 START CTS SA1 BOILER> UPPER	TUYAU.D-10 L.200 START CTS SA1 CHAUDIERE> AL	ROHR.D-10 L.200 START CTS SA1 KESSEL> UPPER I	TUB.D-10 L.200 START CTS SA1 CAZAN> NIVEL SUPE
10	52005128	TBS.D-8 L.320 START CTS 2-3GR SA29 CALDAIA >	TUBE.D-8 L.320 START CTS 2-3GR SA29 BOILER> S	TUYAU.D-8 L.320 START CTS 2-3GR SA29 CHAUDIERE	ROHR D-8 L.320 START CTS 2-3GR SA29 KESSEL> S	TUB.D-8 L.320 START CTS 2-3GR SA29 CAZAN> ABUF
11	52002958	TBS.D-10 L.160 W 1/E CLD >	TUBE.D-10 L.160 W 1/E CLD >	TUYAU.D-10 L.160 W 1/E CLD >	ROHR.D-10 L.160 W 1/E CLD >	TUB.D-10 L.160 W 1/E CLD >
12	52003014	TBS.D-6 L.245 2>4GR SP 15INIET	TUBE D-6 L.245 SP15	TUYAU D-6 L.245 SP15	ROHR D-6 L.245 SP15	TUB D-6 L.245 2>4GR
13	52005111	TBS.D-6 L.220 START CTS SA12 SCNR>INIETTORE	TUBE.D-6 L.220 START CTS SA12 SCNR>INIETTOR	TUYAU.D-6 L.220 START CTS SA12 SCNR>INIETTORI	ROHR.D-6 L.220 START CTS SA12 SCNR>INIETTORE	TUB.D-6 L.220 START CTS SA12 SCNR>INIETTORE
14	52005109	TBS.D-4 L.475 START CTS SA10 CALDAIA > MANOM	TUBE.D-4 L.475 START CTS SA10 BOILER> GAUGE	TUYAU.D-4 L.475 START CTS SA10 CHAUDIERE> CA	ROHR.D-4 L.475 START CTS SA10 KESSEL> LEHRE	TUB.D-4 L.475 START CTS SA10 CAZAN> INDICATOR
15	12155001	GUARNIZIONE CU 8.5x3.3x1	COPPER GASKET 8.5X3.3X1	JOINT CU 8.5X3.3X1	KUPFERDICHTUNG 8.5x3.3x1	GARNITURA DIN CUPRU 8.5X3.3X1
16	52003058	TBS.D-2 L.1000 1/8-1/8 GL216 CAPILLARE MANOME	TUBE D-2 L.1000 1/8-1/8 GL216	TUYAU D-2 L.1000 1/8-1/8 GL216	ROHR D-2 L.1000 1/8-1/8 GL216	TUB D-2 L.1000 1/8-1/8 GL216
17	52005108	TBS.D-8 L.395 START CTS SA9 DISTRIBUTORE > C	TUBE.D-8 L.395 START CTS SA9 DISTRIBUTOR> B	TUYAU.D-8 L.395 START CTS SA9 DISTRIBUTEUR> C	ROHR.D-8 L.395 START CTS SA9 HÄNDLER> KESSEL	TUB.D-8 L.395 START CTS SA9 DISTRIBUTOR> CAZA
18	61016001	DISTRIBUTORE MULT.CARICO H2O C/W.ECO-10	WATER DISTRIBUTION BLOCK	DISTRIBUTEUR EAU	WASSER VERTEILER	DISTR.MULTIFUNC. H2O C/W.ECO-10
19	18159002	EL.AEA 220/240V 50-60Hz 125CR	SOL.VALVE 220/240V 50-60Hz	ELECTROVANNE 220/240V 50-60Hz	ELEKTROVENTIL 220/240V 50-60Hz	EL.AEA 220/240V 50-60Hz 125CR
20	23293012	STROZZATURA PER A.E.A. D1.2 MACCHINA ECO-1	NECK A.E.A D-1.2	ETRANGLEMENT A.E.A D-1.2	UMWALZUNG A.E.A D-1.2	JIGLER A.E.A. D1.2 MASINA ECO-10
21	30404	TUBOFLEX 3/8FF P.GOMMA CON. L45 Ni	FLEX PIPE 3/8 L45 CONICAL	TUYAU FLEX 3/8 FF L45	SCHLAUCH 3/8 AUFNAHMETÜR L45 GUMMI KONI	TUB FLEXIBIL 3/8FF L45 Ni.
22	15452113	TUBO SILICONE PLATINICO 6x9 L.195	SILICONE TUBE D-6x9 L.195	TUYAU SILICONE D-6x9 L.195	SILIKONROHR D-6x9 L.195	FURTUN DIN SILICON D-6x9 L.195
23	15452125	TUBO SILICONE PLAT.D- 6x9 L.400	SILICONE TUBE D-6x9 L.400	TUYAU SILICONE D-6x9 L.400	SILIKONROHR D-6x9 L.400	FURTUN DE SILICON D-6x9 L.400
24	15422010	RACC. "Y" POLIPROPILENE D-10	Y POLIPROPILENE FITTING D-10	RACCORD "Y" POLIPROPILENE D-10	ANSCHLUSS "Y" POLIPROPILENE D-10	RACORD IN FORMA DE "Y" DIN POLIPROPILENA D-10
25	23052	DADO OTTONE M10 UNI 5587	TOP BRASS NUT M10 UNI 5587	ECROU LAITON SUP.M10 UNI 5587	UNTER/MESSING MUTTER M10 UNI 5587	PIULITA DIN ALAMA M10 UNI 5587
26	23267	RONDELLA ELAST.ONDUL.D10 DIN137	ELASTIC WASHER D10 DIN137	RONDELLE ELASTIQUE D10 DIN137	ELASTISCHE SCHEIBE D10 DIN137	SAIBA ELASTICA OND.D10 DIN137
27	15502	VASCETTA SCARICO ROTONDA D 80mm	ROUND DRAIN BASIN D.80mm	CUVE A VIDANGER RONDE D.80mm	RUNDE ABFLUSSCHALE D.80mm	VAS DE SCURGERE ROTUND D.80mm
28	257396	RACC.SCARICO CALDAIA ASSIEMATO	CONNECTOR DRAIN BOILER	RACCORD DRAINER CHAUDIERE	ANSCHLUSS ABPROPFEN KESSEL	RACORD SCURGERE CAZAN ASAMBLAT



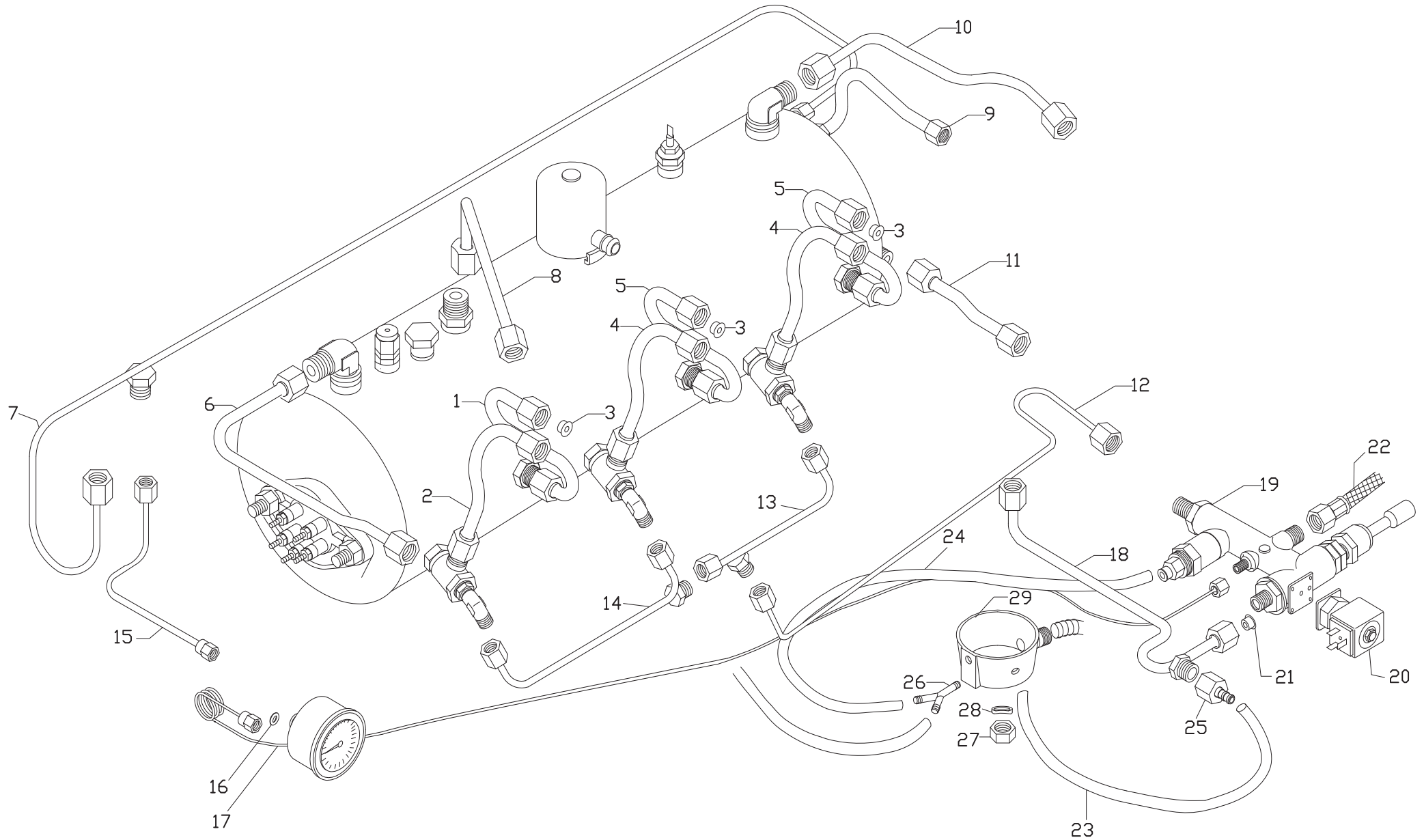
Pos.	Cod	Denominazione - IT -	Denomination - GB -	Denomination - FR -	Denomination - DE -	Denumire - RO -
1	52000214	TBS.D-10 L.195 DV15 SCAMBIATORE SX SUP. > GR	TUBE.D-10 L.195 DV15 EXCHANGE (SUP)> GROUP	TUYAU.D-10 L.195 DV15 ÉCHANGE (SUP)> GROUPE	ROHR.D-10 L.195 DV15 EXCHANGE (SUP)> GROUP (	TUB.D-10 L.195 DV15 SCHIMB (SUP)> GRUP (SUP)
2	52000272	TBS.D-10 L.135 DV73 SCAMBIATOR	TUBE D-10 L.135 PIPE DV 73	TUYAU D-10 L.135 DV 73	ROHR D. 10 L.135 DV 73	TUB D-10 L.135 DV73 SCHIMBATOR
3	23294003	STROZZATURA RICIRCOLO GR CTS D 4	CTS UNIT D 4 RECIRC. NECK	ETRANGLEMENT RECYCLAGE GR.D.4	ENGSTELLE UMWLZUNG D. 4	JIGLER PT.CIRCULATIE APA GR CTS D 4
3	23294001	STROZZATURA RICIRCOLO GR CTS D 2,5	CTS UNIT D 2,5 RECIRC. NECK	ETRANGLEMENT RECYCLAGE GR.D.2,5	ENGSTELLE UMWLZUNG D. 2,5	JIGLER PT.CIRCULATIE APA GR CTS D 2,5
4	52005101	TBS.D-10 L.170 START CTS SA2 SCAMBIATORE (IN	TUBE.D-10 L.170 START CTS SA2 EXCHANGE (INF	TUYAU.D-10 L.170 START CTS SA2 ÉCHANGE (IN)	ROHR.D-10 L.170 START CTS SA2 EXCHANGE (IN)	TUB.D-10 L.170 START CTS SA2 SCHIMB (IN)> GRUP
5	52003934	TBS.D-10 L.210 MULTI 1G CTS MU	TUBE.D-10 L.210 MULTI 1G CTS MU	TUYAU.D-10 L.210 MULTI 1G CTS MU	ROHR.D-10 L.210 MULTI 1G CTS MU	TUB.D-10 L.210 MULTI 1G CTS MU
6	52005105	TBS.D-8 L.285 START CTS SA6 CALDAIA > VAPORE	TUBE.D-8 L.285 START CTS SA6 BOILER> STEAM S	TUYAU.D-8 L.285 START CTS SA6 CHAUDIERE> VAP	ROHR.D-8 L.285 START CTS SA6 KESSEL> STEAM S	TUB.D-8 L.285 START CTS SA6 CAZAN> ABUR SX
7	52005106	TBS.D-6 L.620 START CTS SA7 PRESS-MAN. > CAL	TUBE.D-6 L.620 START CTS SA7 PRESSURE> BOIL	TUYAU.D-6 L.620 START CTS SA7 PRESSION> CHAU	ROHR.D-6 L.620 START CTS SA7 DRUCK> KESSEL	TUB.D-6 L.620 START CTS SA7 PRESIUNE> CAZAN
8	52005107	TBS.D-8 L.305 START CTS SA8 CALDAIA > EV H2O	TUBE.D-8 L.305 START CTS SA8 BOILER> EXHAUS	TUYAU.D-8 L.305 START CTS SA8 CHAUDIERE> ECH	ROHR.D-8 L.305 START CTS SA8 KESSEL> Auspuff H	TUB.D-8 L.305 START CTS SA8 CAZAN> EVACUARE F
9	52005100	TBS.D-10 L.200 START CTS SA1 CLD > LIV.SUP.	TUBE.D-10 L.200 START CTS SA1 BOILER> UPPER	TUYAU.D-10 L.200 START CTS SA1 CHAUDIERE> AL	ROHR.D-10 L.200 START CTS SA1 KESSEL> UPPER I	TUB.D-10 L.200 START CTS SA1 CAZAN> NIVEL SUPE
10	52005128	TBS.D-8 L.320 START CTS 2-3GR SA29 CALDAIA >	TUBE.D-8 L.320 START CTS 2-3GR SA29 BOILER> S	TUYAU.D-8 L.320 START CTS 2-3GR SA29 CHAUDIERE	ROHR D-8 L.320 START CTS 2-3GR SA29 KESSEL> S	TUB.D-8 L.320 START CTS 2-3GR SA29 CAZAN> ABUF
11	52002958	TBS.D-10 L.160 W 1/E CLD >	TUBE.D-10 L.160 W 1/E CLD >	TUYAU.D-10 L.160 W 1/E CLD >	ROHR.D-10 L.160 W 1/E CLD >	TUB.D-10 L.160 W 1/E CLD >
12	52005109	TBS.D-4 L.475 START CTS SA10 CALDAIA > MANOM	TUBE.D-4 L.475 START CTS SA10 BOILER> GAUGE	TUYAU.D-4 L.475 START CTS SA10 CHAUDIERE> CA	ROHR.D-4 L.475 START CTS SA10 KESSEL> LEHRE	TUB.D-4 L.475 START CTS SA10 CAZAN> INDICATOR
13	52003058	TBS.D-2 L.1000 1/8-1/8 GL216 CAPILLARE MANOME	TUBE D-2 L.1000 1/8-1/8 GL216	TUYAU D-2 L.1000 1/8-1/8 GL216	ROHR D-2 L.1000 1/8-1/8 GL216	TUB D-2 L.1000 1/8-1/8 GL216
14	12155001	GUARNIZIONE CU 8.5x3.3x1	COPPER GASKET 8.5X3.3X1	JOINT CU 8.5X3.3X1	KÜPFERDICHTUNG 8.5x3.3x1	GARNITURA DIN CUPRU 8.5X3.3X1
15	52005102	TUB.D-6 L.290 START CTS SA3 DOSATORE SX > IN	TUBE.D-6 L.290 START CTS SA3 DOSATORE SX> S	TUYAU.D-6 L.290 START CTS SA3 Dosatore SX> SX I	ROHR.D-6 L.290 START CTS SA3 DOSATORE SX> SX I	TUB.D-6 L.290 START CTS SA3 DOSATORE SX> SX IN
16	52005103	TUB.D-6 L.360 START CTS SA4 DOSATORE DX > IN	TUBE.D-6 L.360 START CTS SA4 DOSATORE DX> C	TUYAU.D-6 L.360 START CTS SA4 Dosatore DX> DX I	ROHR.D-6 L.360 START CTS SA4 DOSATORE DX> DX I	TUB.D-6 L.360 START CTS SA4 DOSATORE DX> DX IN
17	52004324	TUB.D-6 L.100 2/3GR W349 C/W.E DOS.DX	TUBE D-6 L.100 2/3GR W349 C/W.E	TUYAU D-6 L.100 2/3GR W349 C/W.E	ROHR D-6 L.100 2/3GR W349 C/W.E	TUB D-6 L.100 2/3GR W349 C/W.E DOZ.DR
18	52005104	TBS.D-6 L.610 START CTS SA5 DISTRIBUTORE > D	TUBE.D-6 L.610 START CTS SA5 DISTRIBUTOR> FE	TUYAU.D-6 L.610 START CTS SA5 DISTRIBUTEUR> F	ROHR.D-6 L.610 START CTS SA5 HÄNDLER> FEEDER	TUB.D-6 L.610 START CTS SA5 DISTRIBUTOR > DOZA
19	52005108	TBS.D-8 L.395 START CTS SA9 DISTRIBUTORE > C	TUBE.D-8 L.395 START CTS SA9 DISTRIBUTOR> BK	TUYAU.D-8 L.395 START CTS SA9 DISTRIBUTEUR> C	ROHR.D-8 L.395 START CTS SA9 HÄNDLER> KESSEL	TUB.D-8 L.395 START CTS SA9 DISTRIBUTOR> CAZA
20	15452125	TUBO SILICONE PLAT.D- 6x9 L.400	SILICONE TUBE D-6x9 L.400	TUYAU SILICONE D-6x9 L.400	SILIKONROHR D-6x9 L.400	FURTUN DE SILICON D-6x9 L.400
21	15422010	RACC. "Y" POLIPROPILENE D-10	Y POLIPROPILENE FITTING D-10	RACCORD "Y" POLIPROPILENE D-10	ANSCHLUSS "Y" POLIPROPILENE D-10	RACORD IN FORMA DE "Y" DIN POLIPROPILENA D-10
22	61016001	DISTRIBUTORE MULT.CARICO H2O C/W.ECO-10	WATER DISTRIBUTION BLOCK	DISTRIBUTEUR EAU	WASSER VERTEILER	DISTR.MULTIFUNC. H2O C/W.ECO-10
23	18159002	EL.AEA 220/240V 50-60Hz 125CR	SOL.VALVE 220/240V 50-60Hz	ELECTROVANNE 220/240V 50-60Hz	ELEKTROVENTIL 220/240V 50-60Hz	EL.AEA 220/240V 50-60Hz 125CR
24	23293012	STROZZATURA PER A.E.A. D1.2 MACCHINA ECO-1	NECK A.E.A D-1.2	ETRANGLEMENT A.E.A D-1.2	UMWALZUNG A.E.A D-1.2	JIGLER A.E.A. D1.2 MASINA ECO-10
25	30404	TUBOFLEX 3/8FF P.GOMMA CON. L45 Ni	FLEX PIPE 3/8 L45 CONICAL	TUYAU FLEX 3/8 FF L45	SCHLAUCH 3/8 AUFNAHMETÜR L45 GUMMI KONI	TUB FLEXIBIL 3/8FF L45 Ni.
26	15452113	TUBO SILICONE PLAT.D-6x9 L.195	SILICONE TUBE D-6x9 L.195	TUYAU SILICONE D-6x9 L.195	SILIKONROHR D-6x9 L.195	FURTUN DIN SILICON D-6x9 L.195
27	23052	DADO OTTONE M10 UNI 5587	TOP BRASS NUT M10 UNI 5587	ECROU LAITON SUP.M10 UNI 5587	UNTER/MESSING MUTTER M10 UNI 5587	PIULITA DIN ALAMA M10 UNI 5587
28	23267	RONDELLA ELAST.ONDUL.D10 DIN137	ELASTIC WASHER D10 DIN137	RONDELLE ELASTIQUE D10 DIN137	ELASTISCHE SCHEIBE D10 DIN137	SAIBA ELASTICA OND.D10 DIN137
29	15502	VASCHETTA SCARICO ROTONDA D 80mm	ROUND DRAIN BASIN D.80mm	CUVE A VIDANGER RONDE D.80mm	RUNDE ABFLUSSCHALE D.80mm	VAS DE SCURGERE ROTUND D.80mm
30	25686	RACCORDO 1/4x1/4 FLANGIA	CONNECTOR 1/4 x 1/4	RACCORD 1/4 x 1/4	ANSCHLUSS 1/4x1/4	RACORD 1/4X1/4 flansa.
31	25708	RACC.1/4x1/4 GRUPPO LEVETTA	CONNECTOR 1/4x1/4 FITTING	RACCORD 1/4x1/4	ANSCHLUSS 1/4x1/4	RACORD 1/4X1/4
32	12153	GU CU 1/4 17x13.3x1.5	GASKET 1/4 17x13.3x1.5 COPPER	JOINT CUIVRE 1/4 17x13.3x1.5	KÜPFERDICHTUNG 1/4 17x13.3x1.5	GARNITURA DIN CUPRU 1/4 17X13.3X1.5.
33	10254	FILTRO ACCIAIO 160-200 MESH	STEEL FILTER 160-200 MESH	FILTRE EN ACIER 160-200 MESH	STAHLFILTER 160-200 MESH	FILTRU DIN OTEL 160-200 MESH.



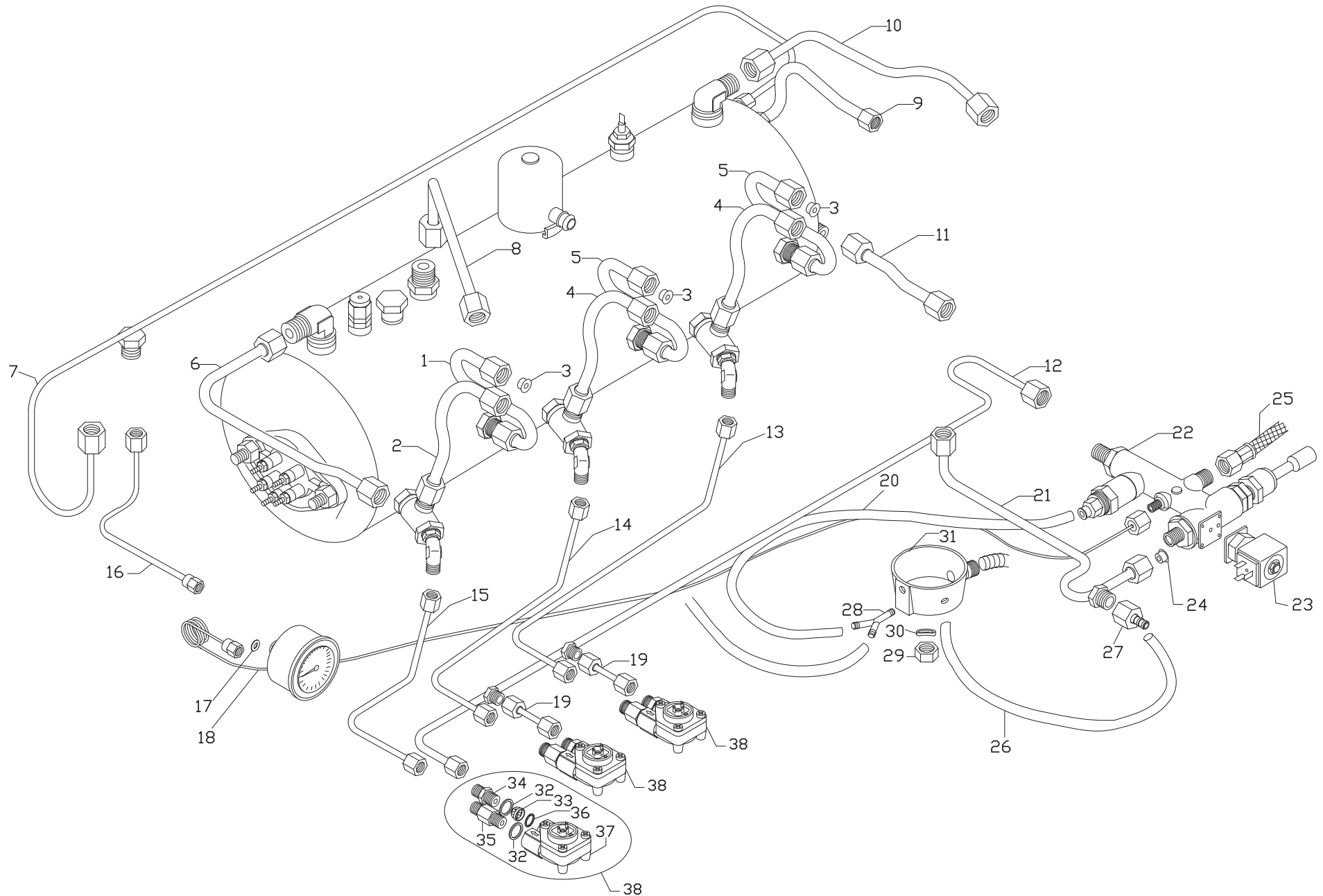


Pos.	Cod	Denominazione - IT -	Denomination - GB -	Denomination - FR -	Denomination - DE -	Denumire - RO -
34	12329	GUARNIZIONE OR HNBR 7.66xW1.78	GASKET OR HNBR 7.66xW1.78	JOINT OR HNBR 7.66x1.78	OR DICHTUNG HNBR 7.66xW1.78	GARNITURA DIN CAUCIUC 7.66xW1.78
35	18126	DOSATORE FLOWMETER FH 12 909602	FLOWMETER DOSER FH 12 909602	DOSEUR FLOWMETER FH 12 909602	DOSIERER FLOWMETER FH 12 909602	DOZATOR VOLUMETRIC FH 12 909602
36	56122000	ASS.DOSATORE	DOSER KIT	KIT DOSEUR	DOSIERER	ANSAMBLU DOZATOR VOLUMETRIC
37	257396	RACC.SCARICO CALDAIA ASSIEMATO	CONNECTOR DRAIN BOILER	RACCORD DRAINER CHAUDIERE	ANSCHLUSS ABPROPFEN KESSEL	RACORD SCURGERE CAZAN ASAMBLAT

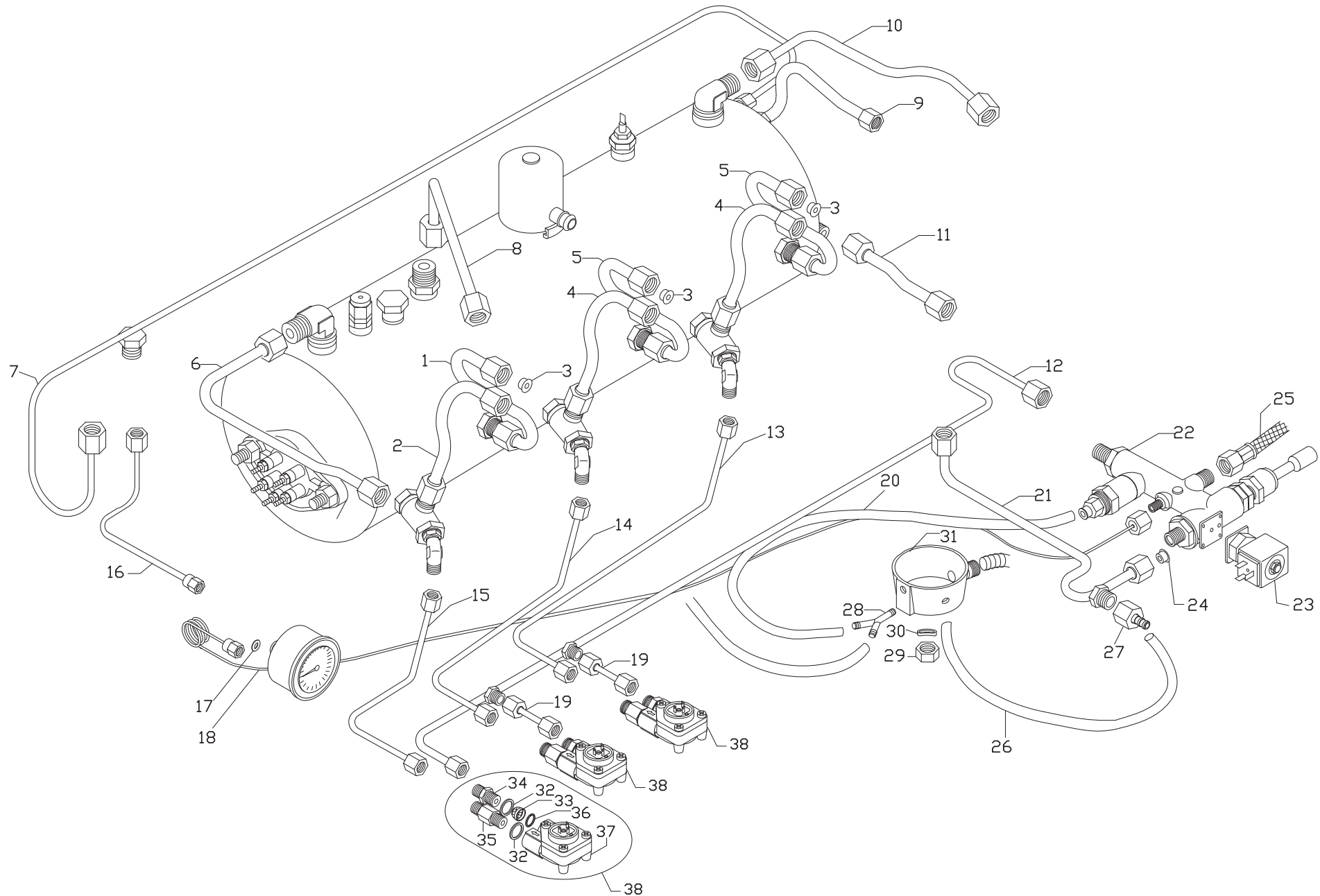




Pos.	Cod	Denominazione - IT -	Denomination - GB -	Denomination - FR -	Denomination - DE -	Denumire - RO -
1	52005126	TBS.D-10 L.220 START CTS 3GR SA27 SCAMBIA	TUBE.D-10 L.220 START CTS 3GR SA27 EXCHANGER> D	TUYAU.D-10 L.220 START CTS 3GR SA27 GROUPE	ROHR.D-10 L.220 START CTS 3GR SA27 TAUSCHE	TUB.D-10 L.220 START CTS 3GR SA27 SCHIMBĂTO
2	52003422	TBS.D-10 L.160 TOUCH 1GR W283 GRUPPO > C	TUBE.D-10 L.160 TOUCH 1GR W283 GROUP> BOILER	TUYAU.D-10 L.160 TOUCH 1GR W283 GROUPE> C	ROHR.D-10 L.160 TOUCH 1GR W283 GROUP> KES	TUB.D-10 L.160 TOUCH 1GR W283 GRUP > CAZAN
3	23294003	STROZZATURA RICIRCOLO GR CTS D 4	CTS UNIT D 4 RECIRC. NECK	ETRANGLEMENT RECYCLAGE GR.D.4	ENGSTELLE UMWLZUNG D. 4	JIGLER PT.CIRCULATIE APA GR CTS D 4
3	23294001	STROZZATURA RICIRCOLO GR CTS D 4	CTS UNIT D 2,5 RECIRC. NECK	ETRANGLEMENT RECYCLAGE GR.D.2,5	ENGSTELLE UMWLZUNG D. 2,5	JIGLER PT.CIRCULATIE APA GR CTS D 2,5
4	52005120	TBS.D-10 L.185 START CTS 3GR SA21 SCAMBIA	TUBE.D-10 L.185 START CTS 3GR SA21 EXCHANGER> G	TUYAU.D-10 L.185 START CTS 3GR SA21 GROUPE	ROHR.D-10 L.185 START CTS 3GR SA21 TAUSCHE	TUB.D-10 L.185 START CTS 3GR SA21 SCHIMBĂTO
5	52005125	TBS.D-10 L.180 START CTS 3GR SA26 SCAMBIA	TUBE.D-10 L.180 START CTS 3GR SA26 EXCHANGER> S	TUYAU.D-10 L.180 START CTS 3GR SA26 GROUPE	ROHR.D-10 L.180 START CTS 3GR SA26 TAUSCHE	TUB.D-10 L.180 START CTS 3GR SA26 SCHIMBĂTO
6	52005105	TBS.D-8 L.285 START CTS SA6 CALDAIA > VAPC	TUBE.D-8 L.285 START CTS SA6 BOILER> STEAM SX	TUYAU.D-8 L.285 START CTS SA6 CHAUDIERE> V	ROHR.D-8 L.285 START CTS SA6 KESSEL> STEAM	TUB.D-8 L.285 START CTS SA6 CAZAN> ABUR SX
7	52005127	TBS.D-6 L.855 START CTS 3GR SA28 CALDAIA >	TUBE.D-6 L.855 START CTS 3GR SA28 BOILER> PRESSU	TUYAU.D-6 L.855 START CTS 3GR SA28 CHAUDIEF	ROHR.D-6 L.855 START CTS 3GR SA28 KESSEL> D	TUB.D-6 L.855 START CTS 3GR SA28 CAZAN> PRE
8	52005107	TBS.D-8 L.305 START CTS SA8 CALDAIA > EV H	TUBE.D-8 L.305 START CTS SA8 BOILER> EXHAUST H2O	TUYAU.D-8 L.305 START CTS SA8 CHAUDIERE> EC	ROHR.D-8 L.305 START CTS SA8 KESSEL> Auspuff	TUB.D-8 L.305 START CTS SA8 CAZAN> EVACUARE
9	52005100	TBS.D-10 L.200 START CTS SA1 CLD > LIV.SUP.	TUBE.D-10 L.200 START CTS SA1 BOILER> UPPER LEVEL	TUYAU.D-10 L.200 START CTS SA1 CHAUDIERE> A	ROHR.D-10 L.200 START CTS SA1 KESSEL> UPPEL	TUB.D-10 L.200 START CTS SA1 CAZAN> NIVEL SU
10	52005128	TBS.D-8 L.320 START CTS 2-3GR SA29 CALDAIA	TUBE.D-8 L.320 START CTS 2-3GR SA29 BOILER> STEAM	TUYAU.D-8 L.320 START CTS 2-3GR SA29 CHAUDI	ROHR.D-8 L.320 START CTS 2-3GR SA29 KESSEL>	TUB.D-8 L.320 START CTS 2-3GR SA29 CAZAN> AB
11	52002958	TBS.D-10 L.160 W 1/E CLD >	TUBE.D-10 L.160 W 1/E CLD >	TUYAU.D-10 L.160 W 1/E CLD >	ROHR.D-10 L.160 W 1/E CLD >	TUB.D-10 L.160 W 1/E CLD >
12	52005130	TUB.D-6 L.440 START CTS AEP/3 SA31 DISTRIBI	TUBE.D-6 L.440 START CTS AEP/3 SA31 DISTRIBUTOR> F	TUYAU.D-6 L.440 START CTS AEP/3 SA31 DISTRIBI	ROHR.D-6 L.440 START CTS AEP/3 SA31 HÄNDLER	TUB.D-6 L.440 START CTS AEP/3 SA31 DISTRIBUTO
13	52003454	TBS.D-6 L.250 3GR SP23 SP 15	TUBE.D-6 L.250 3GR SP23 SP 16	TUYAU.D-6 L.250 3GR SP23 SP 17	ROHR.D-6 L.250 3GR SP23 SP 18	TUB.D-6 L.250 3GR SP23 SP 19
14	52003014	TBS.D-6 L.245 2>4GR SP 15INIET	TUBE.D-6 L.245 SP15	TUYAU.D-6 L.245 SP15	ROHR.D-6 L.245 SP15	TUB.D-6 L.245 2>4GR
15	52005109	TBS.D-4 L.475 START CTS SA10 CALDAIA > MAN	TUBE.D-4 L.475 START CTS SA10 BOILER> GAUGE	TUYAU.D-4 L.475 START CTS SA10 CHAUDIERE> C	ROHR.D-4 L.475 START CTS SA10 KESSEL> LEHRE	TUB.D-4 L.475 START CTS SA10 CAZAN> INDICATC
16	12155001	GUARNIZIONE CU 8.5x3.3x1	COPPER GASKET 8.5X3.3X1	JOINT CU 8.5X3.3X1	KUPFERDICHTUNG 8.5x3.3x1	GARNITURA DIN CUPRU 8.5X3.3X1
17	52005124	TBS.D-2 L.1150 START CTS 1/8-1/8 SA25 CAPILL	TUBE.D-2 L.1150 START CTS 1/8-1/8 SA25 CAPILLARY PR	TUYAU.D-2 L.1150 START CTS 1/8-1/8 SA25 pressio	ROHR.D-2 L.1150 START CTS 1/8-1/8 SA25 HAAR M	TUB.D-2 L.1150 START CTS 1/8-1/8 SA25 INDICATO
18	52005108	TBS.D-8 L.395 START CTS SA9 DISTRIBUTORE	TUBE.D-8 L.395 START CTS SA9 DISTRIBUTOR> BOILER	TUYAU.D-8 L.395 START CTS SA9 DISTRIBUTEUR>	ROHR.D-8 L.395 START CTS SA9 HÄNDLER> KESS	TUB.D-8 L.395 START CTS SA9 DISTRIBUTOR> CA
19	61016001	DISTRIBUTORE MULT.CARICO H2O C/W.ECO-10	(WATER DISTRIBUTION BLOCK	DISTRIBUTEUR EAU	WASSER VERTEILER	DISTR.MULTIFUNC. H2O C/W.ECO-10
20	18159002	EL.AEA 220/240V 50-60Hz 125CR	SOL.VALVE 220/240V 50-60Hz	ELECTROVANNE 220/240V 50-60Hz	ELEKTROVENTIL 220/240V 50-60Hz	EL.AEA 220/240V 50-60Hz 125CR
21	23293012	STROZZATURA PER A.E.A. D1.2 MACCHINA ECO	NECK A.E.A D-1.2	ETRANGLEMENT A.E.A D-1.2	UMWALZUNG A.E.A D-1.2	JIGLER A.E.A. D1.2 MASINA ECO-10
22	30404	TUBOFLEX 3/8FF P.GOMMA CON. L45 Ni	FLEX PIPE 3/8 L45 CONICAL	TUYAU FLEX 3/8 FF L45	SCHLAUCH 3/8 AUFNAHMETÜR L45 GUMMI KONI	TUB FLEXIBIL 3/8FF L45 Ni.
23	15452125	TUBO SILICONE PLAT.D-6x9 L.400	SILICONE TUBE D-6x9 L.400	TUYAU SILICONE D-6x9 L.400	SILIKONROHR D-6x9 L.400	FURTUN DE SILICON D-6x9 L.400
24	15477013	TUBO SILICONE PLAT.D-6x9 (1mt=0.035 kg)	SILICONE TUBE D-6x9 (1mt=0.035 kg)	TUYAU SILICONE D-6x9 L.195	SILIKONROHR D-6x9 (1mt=0.035 kg)	FURTUN DE SILICON D-6x9 (1mt=0.035 kg)
25	257396	RACC.SCARICO CALDAIA ASSIEMATO	CONNECTOR DRAIN BOILER	RACCORD DRAINER CHAUDIERE	ANSCHLUSS ABPROPFEN KESSEL	RACORD SCURGERE CAZAN ASAMBLAT
26	15422010	RACC. "Y" POLIPROPILENE D-10	Y POLIPROPILENE FITTING D-10	RACCORD "Y" POLIPROPILENE D-10	ANSCHLUSS "Y" POLIPROPILENE D-10	RACORD IN FORMA DE "Y" DIN POLIPROPILENA D.
27	23052	DADO OTTONE M10 UNI 5587	TOP BRASS NUT M10 UNI 5587	ECROU LAITON SUP.M10 UNI 5587	UNTER/MESSING MUTTER M10 UNI 5587	PIULITA DIN ALAMA M10 UNI 5587
28	23267	RONDELLA ELAST.ONDUL.D10 DIN137	ELASTIC WASHER D10 DIN137	RONDELLE ELASTIQUE D10 DIN137	ELASTISCHE SCHEIBE D10 DIN137	SAIBA ELASTICA OND.D10 DIN137
29	15502	VASCHETTA SCARICO ROTONDA D.80mm	ROUND DRAIN BASIN D.80mm	CUVE A VIDANGER RONDE D.80mm	RUNDE ABFLUSSCHALE D.80mm	VAS DE SCURGERE ROTUND D.80mm



Pos.	Cod	Denominazione - IT -	Denomination - GB -	Denomination - FR -	Denomination - DE -	Denumire - RO -
1	52005126	TBS.D-10 L.220 START CTS 3GR SA27 SCAMBIA	TUBE.D-10 L.220 START CTS 3GR SA27 EXCHANGER> D	TUYAU.D-10 L.220 START CTS 3GR SA27 GROUPE	ROHR.D-10 L.220 START CTS 3GR SA27 TAUSCHE	TUB.D-10 L.220 START CTS 3GR SA27 SCHIMBĂTO
2	52003422	TBS.D-10 L.160 TOUCH 1GR W283 GRUPPO > C	TUBE.D-10 L.160 TOUCH 1GR W283 GROUP> BOILER	TUYAU.D-10 L.160 TOUCH 1GR W283 GROUPE> C	ROHR.D-10 L.160 TOUCH 1GR W283 GROUP> KES	TUB.D-10 L.160 TOUCH 1GR W283 GRUP > CAZAN
3	23294003	STROZZATURA RICIRCOLO GR CTS D 4	CTS UNIT D 4 RECIRC. NECK	ETRANGLEMENT RECYCLAGE GR.D.4	ENGSTELLE UMWVLZUNG D. 4	JIGLER PT.CIRCULATIE APA GR CTS D 4
3	23294001	STROZZATURA RICIRCOLO GR CTS D 2,5	CTS UNIT D 2,5 RECIRC. NECK	ETRANGLEMENT RECYCLAGE GR.D.2,5	ENGSTELLE UMWVLZUNG D. 2,5	JIGLER PT.CIRCULATIE APA GR CTS D 2,5
4	52005120	TBS.D-10 L.185 START CTS 3GR SA21 SCAMBIA	TUBE.D-10 L.185 START CTS 3GR SA21 EXCHANGER> G	TUYAU.D-10 L.185 START CTS 3GR SA21 GROUPE	ROHR.D-10 L.185 START CTS 3GR SA21 TAUSCHE	TUB.D-10 L.185 START CTS 3GR SA21 SCHIMBĂTO
5	52005125	TBS.D-10 L.180 START CTS 3GR SA26 SCAMBIA	TUBE.D-10 L.180 START CTS 3GR SA26 EXCHANGER> S	TUYAU.D-10 L.180 START CTS 3GR SA26 GROUPE	ROHR.D-10 L.180 START CTS 3GR SA26 TAUSCHE	TUB.D-10 L.180 START CTS 3GR SA26 SCHIMBĂTO
6	52005105	TBS.D-8 L.285 START CTS SA6 CALDAIA > VAP	TUBE.D-8 L.285 START CTS SA6 BOILER> STEAM SX	TUYAU.D-8 L.285 START CTS SA6 CHAUDIERE> VA	ROHR.D-8 L.285 START CTS SA6 KESSEL> STEAM	TUB.D-8 L.285 START CTS SA6 CAZAN> ABUR SX
7	52005127	TBS.D-6 L.855 START CTS 3GR SA28 CALDAIA >	TUBE.D-6 L.855 START CTS 3GR SA28 BOILER> PRESSU	TUYAU.D-6 L.855 START CTS 3GR SA28 CHAUDIEF	ROHR.D-6 L.855 START CTS 3GR SA28 KESSEL> D	TUB.D-6 L.855 START CTS 3GR SA28 CAZAN> PRE
8	52005107	TBS.D-8 L.305 START CTS SA8 CALDAIA > EV H	TUBE.D-8 L.305 START CTS SA8 BOILER> EXHAUST H2O	TUYAU.D-8 L.305 START CTS SA8 CHAUDIERE> EC	ROHR.D-8 L.305 START CTS SA8 KESSEL> Auspuff	TUB.D-8 L.305 START CTS SA8 CAZAN> EVACUARE
9	52005100	TBS.D-10 L.200 START CTS SA1 CLD > LIV.SUP.	TUBE.D-10 L.200 START CTS SA1 BOILER> UPPER LEVEL	TUYAU.D-10 L.200 START CTS SA1 CHAUDIERE> A	ROHR.D-10 L.200 START CTS SA1 KESSEL> UPPE	TUB.D-10 L.200 START CTS SA1 CAZAN> NIVEL.SU
10	52005128	TBS.D-8 L.320 START CTS 2-3GR SA29 CALDAIA	TUBE.D-8 L.320 START CTS 2-3GR SA29 BOILER> STEAM	TUYAU.D-8 L.320 START CTS 2-3GR SA29 CHAUDIE	ROHR.D-8 L.320 START CTS 2-3GR SA29 KESSEL>	TUB.D-8 L.320 START CTS 2-3GR SA29 CAZAN> AB
11	52002958	TBS.D-10 L.160 W 1/E CLD >	TUBE.D-10 L.160 W 1/E CLD >	TUYAU.D-10 L.160 W 1/E CLD >	ROHR.D-10 L.160 W 1/E CLD >	TUB.D-10 L.160 W 1/E CLD >
12	52005123	TBS.D-6 L.835 START CTS 3GR SA24 DISTRIB. >	TUBE.D-6 L.835 START CTS 3GR SA24 DISTRIB. > BRIDG	TUYAU.D-6 L.835 START CTS 3GR SA24 DISTRIB. >	ROHR.D-6 L.835 START CTS 3GR SA24 DISTRIB. >	TUB.D-6 L.835 START CTS 3GR SA24 DISTRIB. > AL
13	52005129	TUB.D-6 L.475 START CTS 3GR SA30 DOSATOR	TUBE.D-6 L.475 START CTS 3GR SA30 DOSATORE> INJE	TUYAU.D-6 L.475 START CTS 3GR SA30 Dosatore>	ROHR.D-6 L.475 START CTS 3GR SA30 DOSATORE	TUB.D-6 L.475 START CTS 3GR SA30 DOSATORE>
14	52005122	TUB.D-6 L.335 START CTS 3GR SA23 DOSATOR	TUBE.D-6 L.335 START CTS 3GR SA23 DOSATORE DX> D	TUYAU.D-6 L.335 START CTS 3GR SA23 Dosatore D	ROHR.D-6 L.335 START CTS 3GR SA23 DOSATORE	TUB.D-6 L.335 START CTS 3GR SA23 DOSATORE D
15	52005121	TUB.D-6 L.270 START CTS 3GR SA22 DOSATOR	TUBE.D-6 L.270 START CTS 3GR SA22 DOSATORE SX> SX	TUB.D-6 L.270 START CTS 3GR SA22 Dosatore SX>	ROHR.D-6 L.270 START CTS 3GR SA22 DOSATORE	TUB.D-6 L.270 START CTS 3GR SA22 DOSATORE S
16	52005109	TBS.D-4 L.475 START CTS SA10 CALDAIA > MAN	TUBE.D-4 L.475 START CTS SA10 BOILER> GAUGE	TUYAU.D-4 L.475 START CTS SA10 CHAUDIERE> C	ROHR.D-4 L.475 START CTS SA10 KESSEL> LEHRE	TUB.D-4 L.475 START CTS SA10 CAZAN> INDICATC
17	12155001	GUARNIZIONE CU 8.5x3.3x1	COPPER GASKET 8.5X3.3X1	JOINT CU 8.5X3.3X1	KUPFERDICHTUNG 8.5x3.3x1	GARNITURA DIN CUPRU 8.5X3.3X1
18	52005124	TBS.D-2 L.1150 START CTS 1/8-1/8 SA25 CAPILL	TUBE.D-2 L.1150 START CTS 1/8-1/8 SA25 CAPILLARY PR	TUYAU.D-2 L.1150 START CTS 1/8-1/8 SA25 pressio	ROHR.D-2 L.1150 START CTS 1/8-1/8 SA25 HAAR M	TUB.D-2 L.1150 START CTS 1/8-1/8 SA25 INDICATO
19	52004324	TUB.D-6 L.100 2/3GR W349 C/W.E DOS.DX	TUBE D-6 L.100 2/3GR W349 C/W.E	TUYAU D-6 L.100 2/3GR W349 C/W.E	ROHR D-6 L.100 2/3GR W349 C/W.E	TUB D-6 L.100 2/3GR W349 C/W.E DOZ.DR
20	15477013	TUBO SILICONE PLAT.D-6x9 (1mt=0.035 kg)	SILICONE TUBE D-6x9 (1mt=0.035 kg)	TUYAU SILICONE D-6x9 L.195	SILIKONROHR D-6x9 (1mt=0.035 kg)	FURTUN DE SILICON D-6x9 (1mt=0.035 kg)
21	52005108	TBS.D-8 L.395 START CTS SA9 DISTRIBUTORE	TUBE.D-8 L.395 START CTS SA9 DISTRIBUTOR> BOILER	TUYAU.D-8 L.395 START CTS SA9 DISTRIBUTEUR>	ROHR.D-8 L.395 START CTS SA9 HÄNDLER> KESS	TUB.D-8 L.395 START CTS SA9 DISTRIBUTOR> CA
22	61016001	DISTRIBUTORE MULT.CARICO H2O C/W.ECO-10	(WATER DISTRIBUTION BLOCK	DISTRIBUTEUR EAU	WASSER VERTEILER	DISTR.MULTIFUNC. H2O C/W.ECO-10
23	18159002	EL.AEA 220/240V 50-60Hz 125CR	SOL.VALVE 220/240V 50-60Hz	ELECTROVANNE 220/240V 50-60Hz	ELEKTROVENTIL 220/240V 50-60Hz	EL.AEA 220/240V 50-60Hz 125CR
24	23293012	STROZZATURA PER A.E.A. D1.2 MACCHINA ECO	NECK A.E.A D-1.2	ETRANGLEMENT A.E.A D-1.2	UMWALZUNG A.E.A D-1.2	JIGLER A.E.A. D1.2 MASINA ECO-10
25	30404	TUBOFLEX 3/8FF P.GOMMA CON. L45 Ni	FLEX PIPE 3/8 L45 CONICAL	TUYAU FLEX 3/8 FF L45	SCHLAUCH 3/8 AUFNAHMETÜR L45 GUMMI KONI	TUB FLEXIBIL 3/8FF L45 Ni.
26	15452125	TUBO SILICONE PLAT.D- 6x9 L.400	SILICONE TUBE D-6x9 L.400	TUYAU SILICONE D-6x9 L.400	SILIKONROHR D-6x9 L.400	FURTUN DE SILICON D-6x9 L.400
27	257396	RACC.SCARICO CALDAIA ASSIEMATO	CONNECTOR DRAIN BOILER	RACCORD DRAINER CHAUDIERE	ANSCHLUSS ABPROPFEN KESSEL	RACORD SCURGERE CAZAN ASAMBLAT
28	15422010	RACC. "Y" POLIPROPILENE D-10	Y POLIPROPILENE FITTING D-10	RACCORD "Y" POLIPROPILENE D-10	ANSCHLUSS "Y" POLIPROPILENE D-10	RACORD IN FORMA DE "Y" DIN POLIPROPILENA D-
29	23052	DADO OTTONE M10 UNI 5587	TOP BRASS NUT M10 UNI 5587	ECROU LAITON SUP.M10 UNI 5587	UNTER/MESSING MUTTER M10 UNI 5587	PIULITA DIN ALAMA M10 UNI 5587
30	23267	RONDELLA ELAST.ONDUL.D10 DIN137	ELASTIC WASHER D10 DIN137	RONDELLE ELASTIQUE D10 DIN137	ELASTISCHE SCHEIBE D10 DIN137	SAIBA ELASTICA OND.D10 DIN137
31	15502	VASCHETTA SCARICO ROTONDA D 80mm	ROUND DRAIN BASIN D.80mm	CUVE A VIDANGER RONDE D.80mm	RUNDE ABFLUSSCHALE D.80mm	VAS DE SCURGERE ROTUND D.80mm
32	12153	GU CU 1/4 17x13.3x1.5	GASKET 1/4 17x13.3x1.5 COPPER	JOINT CUIVRE 1/4 17x13.3x1.5	KUPFERDICHTUNG 1/4 17x13.3x1.5	GARNITURA DIN CUPRU 1/4 17X13.3X1.5.



Pos.	Cod	Denominazione - IT -	Denomination - GB -	Denomination - FR -	Denomination - DE -	Denumire - RO -
33	10254	FILTRO ACCIAIO 160-200 MESH	STEEL FILTER 160-200 MESH	FILTRE EN ACIER 160-200 MESH	STAHLFILTER 160-200 MESH	FILTRU DIN OTEL 160-200 MESH.
34	25686	RACCORDO 1/4x1/4 FLANGIA	CONNECTOR 1/4 x 1/4	RACCORD 1/4 x 1/4	ANSCHLUSS 1/4x1/4	RACORD 1/4X1/4 flansa.
35	25708	RACC.1/4x1/4 GRUPPO LEVETTA	CONNECTOR 1/4x1/4 FITTING	RACCORD 1/4x1/4	ANSCHLUSS 1/4x1/4	RACORD 1/4X1/4
36	12329	GUARNIZIONE OR HNBR 7.66xW1.78	GASKET OR HNBR 7.66xW1.78	JOINT OR HNBR 7.66x1.78	OR DICHTUNG HNBR 7.66xW1.78	GARNITURA DIN CAUCIUC 7.66xW1.78
37	18126	DOSATORE FLOWMETER FH 12 909602	FLOWMETER DOSER FH 12 909602	DOSEUR FLOWMETER FH 12 909602	DOSIERER FLOWMETER FH 12 909602	DOZATOR VOLUMETRIC FH 12 909602
38	56122000	ASS.DOSATORE	DOSER KIT	KIT DOSEUR	DOSIERER	ANSAMBLU DOZATOR VOLUMETRIC





**ILC**

**INDICE - INDEX - SOMMAIRE - VERZEICHNIS-INDEX**

**ILC-50**

LIVELLO ACQUA - WATER LEVEL  
NIVEAU EAU - WASSER NIVEAU - NIVELUL DE APA

rev.

**00**  
03/2014

LIVELLO ACQUA

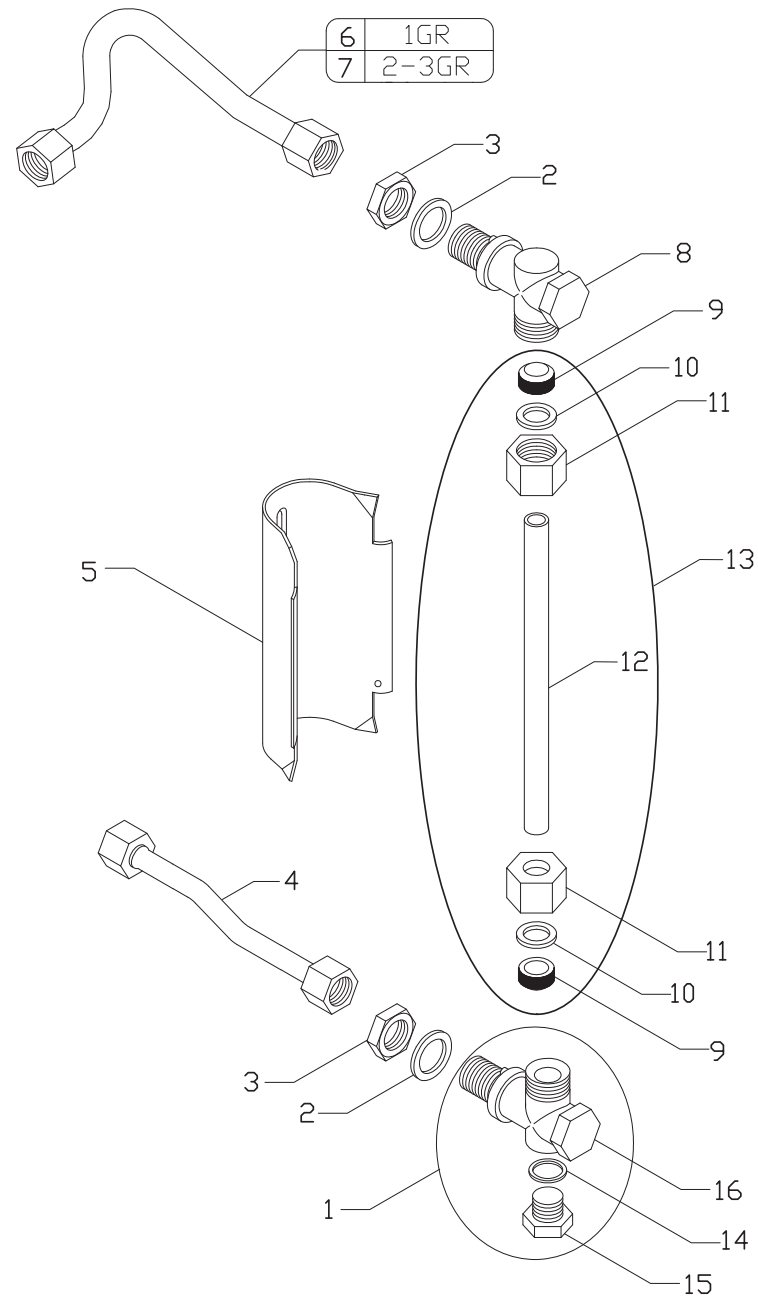
WATER LEVEL

NIVEAU EAU

WASSER NIVEAU

NIVELUL DE APA

**NEW START**



Pos.	Cod	Denominazione - IT -	Denomination - GB -	Denomination - FR -	Denomination - DE -	Denumire - RO -
1	56005	ASS.CORPO LIVELLO INFERIORE	LOWER LEVEL BODY UNIT	ENSEMBLE CORPS DE NIVEAU INFERIEUR	UNTER NIVEAUKORPER	ANSAMBLU CORP PT. NIVELUL INFERIOR
2	25651	RONDELLA OTTONE 3/8	BRASS WASHER 3/8	RONDELLE LAITON 3/8	MESSINGSCHEIBE 3/8	SAIBA DIN ALAMA 3/8
3	25356	CONTRODADO OTTONE 3/8	BRASS LOCK NUT 3/8	CONTRE-ECROU LAITON 3/8	MESSING-GEGENMUTTER 3/8	CONTRAPIULITA DIN ALAMA 3/8
4	52002958	TBS.D-10 L.160 W 1/E CLD >	TUBE D-10 L.160 W 1/E CLD >	TUYAU D-10 L.160 W 1/E CLD >	ROHR D-10 L.160 W 1/E CLD >	TUB D-10 L160 W 1/E CLD >
5	44002	COPRILIVELLO VERNICIATO BIANCO	LEVEL INDICATOR COVER PAINTED WHITE	COUVRE-NIVEAU LAQUE BLANC	NIVEAUDECKEL	PROT.ALBA PT. INDIC. DE NIVEL
6	52005118	TUB.D-10 L.260 START CTS 1GR SA19 CLD > LIV.SU	TUBE D-10 L.260 START CTS 1GR SA19 CLD > LIV.SU	TUYAU D-10 L.260 START CTS 1GR SA19 CLD > LIV.SU	ROHR D-10 L.260 START CTS 1GR SA19 CLD > LIV.SU	TUB D-10 L.260 START CTS 1GR SA19 CLD > LIV.SU
7	52005100	TBS.D-10 L.200 START CTS SA1 CLD > LIV.SUP.	TUBE D-10 L.200 START CTS SA1 CLD > LIV.SUP.	TUYAU D-10 L.200 START CTS SA1 CLD > LIV.SUP.	ROHR D-10 L.200 START CTS SA1 CLD > LIV.SUP.	TUB D-10 L.200 START CTS SA1 CLD > LIV.SUP.
8	53002	CORPO LIVELLO SUPERIORE	UPPER LEVEL BODY	CORPS DE NIVEAU SUPERIEUR	OBERNIVEAUKORPER	CORP PT. NIVELUL SUPERIOR
9	12200	GU GOMMA x LIVELLO 16x10x8 SMUSSATA	SIGHT GLASS RUBBER GASKET 16X10X8	JOINT CAOUTCHOUC DE NIVEAU 16X10X8	GUMMIDICHTUNG FR NIVEAU 16x10x8	GARN. DIN CAUCIUC PT.TUBUL DE NIV.
10	25652	RONDELLA OTTONE D17.8	BRASS WASHER D.17.8	RONDELLE LAITON D.17.8	MESSING-SCHEIBE D.17.8	SAIBA DIN ALAMA D 17.8
11	25383	DADO OTTONE M20x1.5	BRASS NUT 20x1.5	ECROU LAITON 20x1.5	MESSING-MUTTER 20x1.5	PIULTA DIN ALAMA M20x1.5
12	21300	TUBO VETRO PIREX LIVELLO 11x8x170	GLASS LEVEL TUBE 11X8X170	TUBE NIVEAU EN VERRE 11X8X170	NIVEAU GLASROHR 11x8x170	TUB PT. NIVEL DIN STICLA 11x8x170
13	56001	ASSIEME TUBO LIVELLO	LEVEL TUBE UNIT	ENSEMBLE TUBE DE NIVEAU	ROHRSATZ FUR NIVEAU	ANSAMBLU TUB NIVEL
14	12153	GU CU 1/4 17x13.3x1.5	1/4 17x13.3x1.5 COPPER SEAL	JOINT CUIVRE 1/4 17x13.3x1.5	KUPFERDICHTUNG 1/4 17x13.3x1.5	GARN. DIN CUPRU 1/4 17x13.3x1.5
15	25780	TAPPO MASCHIO OTTONE 1/4	BRASS MALE CAP 1/4	BOUCHON MALE LAITON 1/4	MESSING-STOPFEN 1/4	DOP DIN ALAMA PT. MASC. 1/4
16	53001	CORPO LIVELLO INFERIORE	LOWER LEVEL CONNECTOR	CORPS DE NIVEAU INFERIEUR	UNTERNIVEAUKORPER	CORP PT. NIVELUL INFERIOR

# ELSA

## INDICE - INDEX - SOMMAIRE - VERZEICHNIS-INDEX

rev.

**ELSA-60**

IMPIANTO ELETTRICO AEP - ELETRICAL SYSTEM AEP  
CIRCUIT ELECTRIQUE AEP - STROM ANLAGE AEP - CIRCUIT ELECTRIC AEP

**00**  
03/2014

**ELSA-61**

IMPIANTO ELETTRICO SAE - ELETRICAL SYSTEM SAE  
CIRCUIT ELECTRIQUE SAE - STROM ANLAGE SAE - CIRCUIT ELECTRIC SAE

**00**  
03/2014

IMPIANTO ELETTRICO

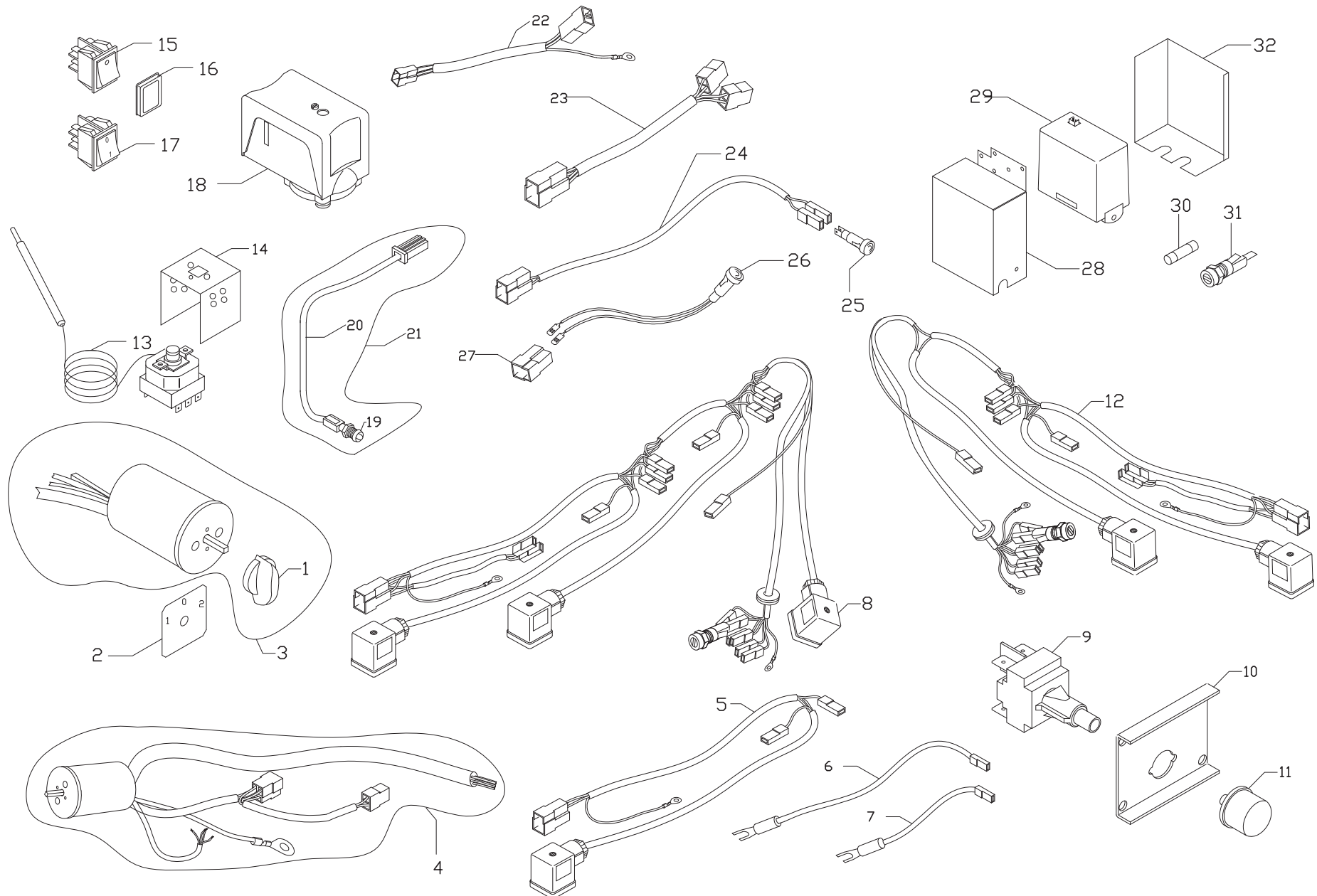
ELETRICAL SYSTEM

CIRCUIT ELECTRIQUE

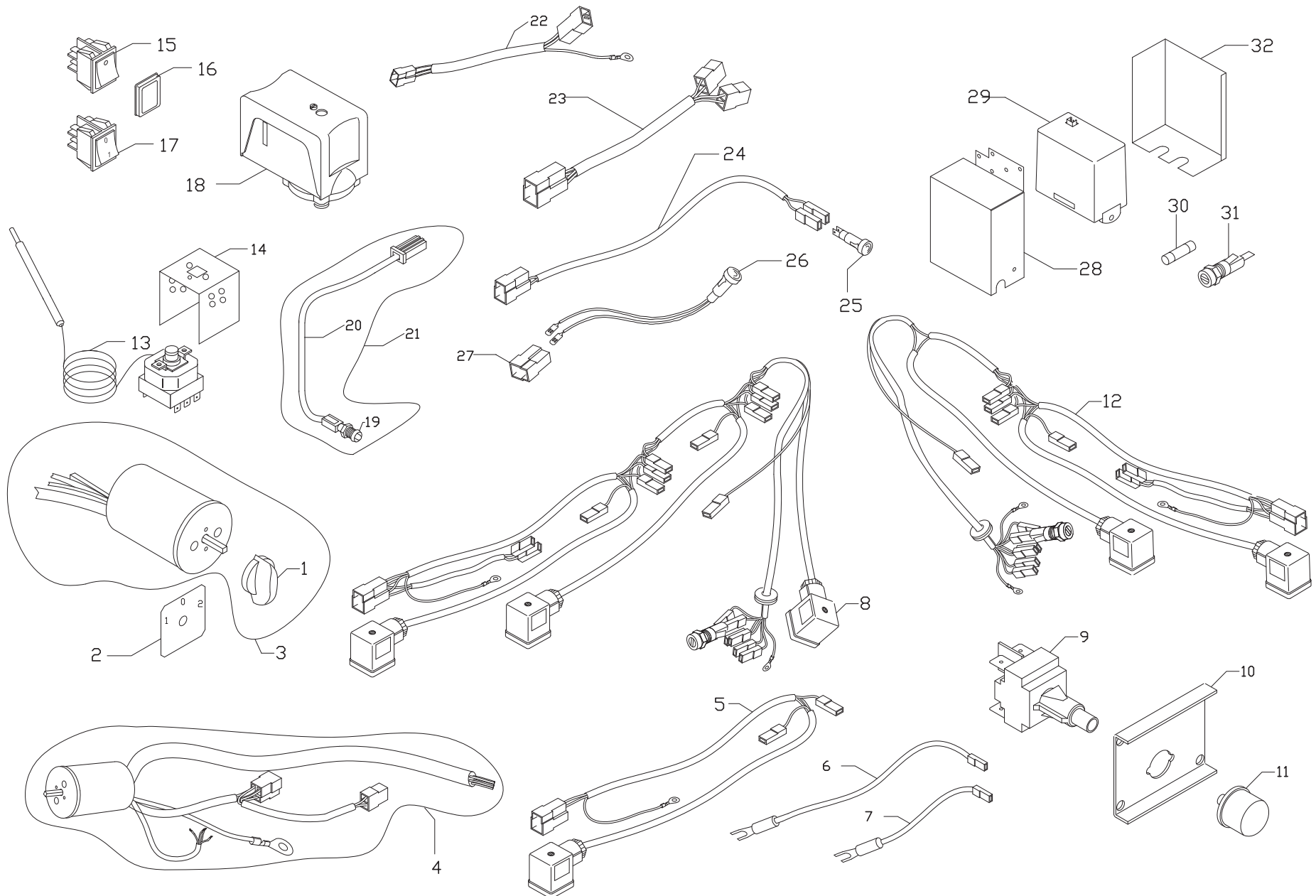
STROM ANLAGE

CIRCUIT ELECTRIC

**NEW START**



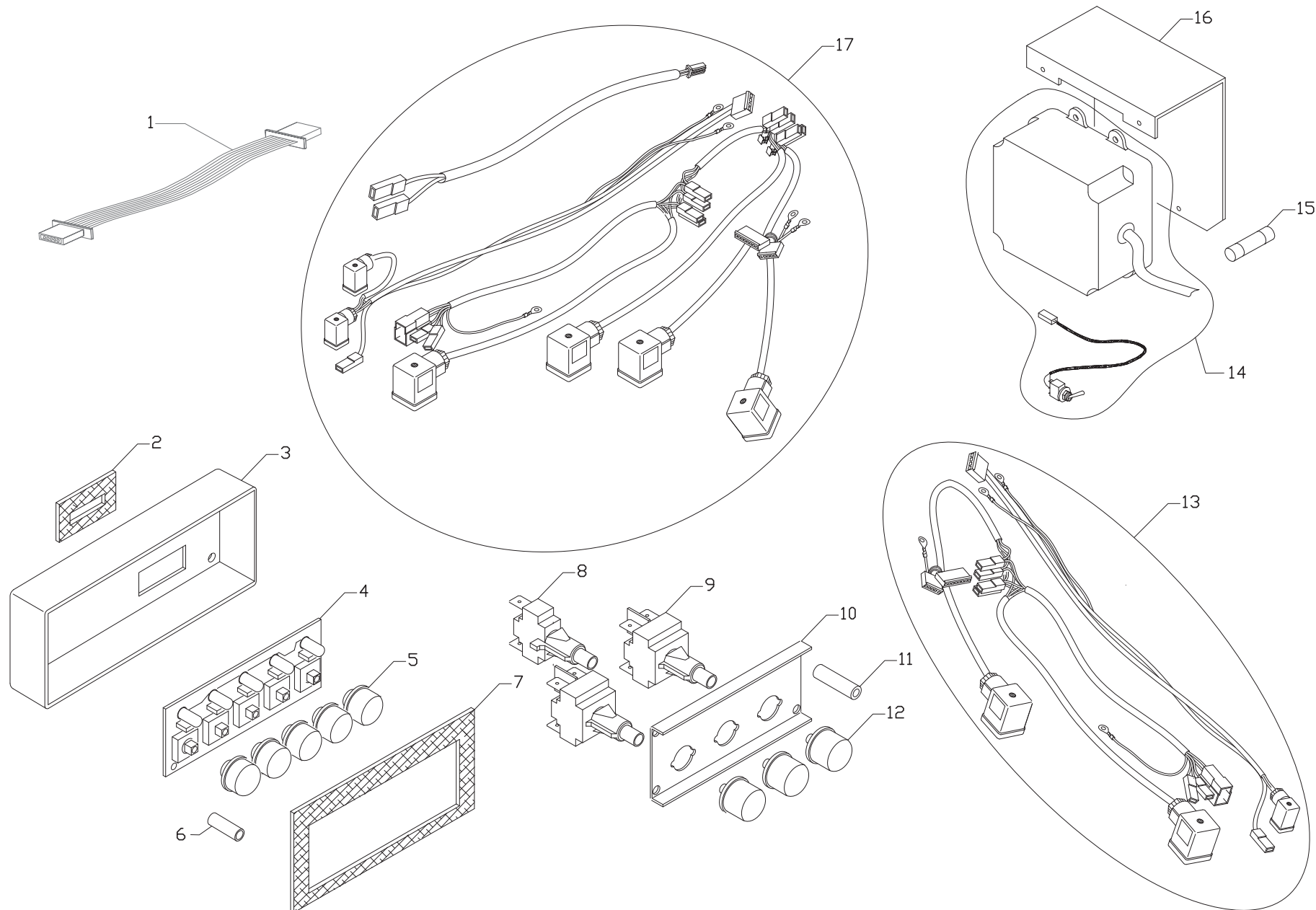
Pos.	Cod	Denominazione - IT -	Denomination - GB -	Denomination - FR -	Denomination - DE -	Denumire - RO -
1	15271	MANOPOLA INT.GEN.BREMAS CMA/WE	MAIN SWITCH HAND GRIP	MANETTE INTERR. GENERAL	HAUPTSCHALTERGRIFF	INTRERUPATOR GENERAL BREMAS CMA/WE
2	29067	ET.AD.'1-0-2'NERO PLASTICO 58x58	PLASTIC ADHESIVE PLATE 1-0-2 58X58	PLAQUETTE ADHESIVE 1-0-2 58X58	KLEBESCHILD 1-0-2 58x58	ET.ADEZIVA DIN PLASTIC NEAGRA 1-0-2 58x58
3	18104	COMMUTATORE BREMAS A20.12 CS0177412	COMMUTATOR BREMAS A20.12	COMMUTATEUR BREMAS A20.12	UMSCHLATER BREMAS A20.12	COMUTATOR BREMAS A20.12
3	18105	COMMUTATORE BREMAS A32.12 CS0257412	COMMUTATOR BREMAS A32.12	COMMUTATEUR BREMAS A32.12	UMSCHALTER BREMAS A32.12	COMUTATOR BREMAS A32.12
4	22940	COM.1-3GR 2F 18102 D2.5 NEOP	COM.1-3GR 2F 18102 D2.5 NEOP	COM.1-3GR 2F 18102 D2.5 NEOP	COM.1-3GR 2F 18102 D2.5 NEOP	COM.1-3GR 2F 18102 D2.5 NEOP
4	22941	COM.4GR 2F 18101 D4 NEOP.	COM.4GR 2F 18101 D4 NEOP.	COM.4GR 2F 18101 D4 NEOP.	COM.4GR 2F 18101 D4 NEOP.	COM.4GR 2F 18101 D4 NEOP.
4	22944	COM.1-3GR 3F+N 18104 D2.5 NEOP.	COM.1-3GR 3F+N 18104 D2.5 NEOP.	CHANGER 1-3GR 3F+N 18104 D2.5 NEOP.	WECHSELN 1-3GR 3F+N 18104 D2.5 NEOP.	COM.1-3GR 3F+N 18104 D2.5 NEOP.
4	22945	COM.4GR 3F+N 18105 D4 NEOP.	COM.4GR 3F+N 18105 D4 NEOP.	CHANGER.4GR 3F+N 18105 D4 NEOP.	WECHSELN 4GR 3F+N 18105 D4 NEOP.	COM.4GR 3F+N 18105 D4 NEOP.
5	22713	CABLAGGIO THE AUT.	WIRING THE AUT.	CABLAGE L'AUT.	VERDRAHTUNG DES AUT.	CABLU CEAU AUTOMATIC
6	22415	CAVO RIP.PFF06-6/BF-U4 D2.5 L.540	CABLE.RIP.PFF06-6/BF-U4 D2,5	CABLAGE RIP.PFF06-6/BF-U4 D2,5	KABEL RIP.PFF06-6/BF-U4 D2,5 L.540	CABLU RIP.PFF06-6/BF-U4 D2.5 L.540
6	22420	CAVO RIT.PFF1-6/GF-U4 D4 L.540	CABLE RIT.PFF1-6/GF-U4 D4 L.540	CABLAGE RIT.PFF1-6/GF-U4 D4 L.540	KABEL RIT.PFF1-6/GF-U4 D4 L.540	CABLU RIT.PFF1-6/GF-U4 D4 L.540
7	22400503	CAVO RIT.PFF06-6/BF-U4 D2.5 L.250	CABLE.PFF06-6/BF-U4 D2.5 L.250	CABLAGE PFF06-6/BF-U4 D2.5 L.250	KABEL PFF06-6/BF-U4 D2.5 L.250	CABLU PFF06-6/BF-U4 D2.5 L.250
7	22400504	CAVO RIT.SILIC.4mmq L.250 FF6.3 C/F4	CABLE RIT.SILIC.4mmq L.250 FF6.3 C/F4	CABLAGE RIT.SILIC.4mmq L.250 FF6.3 C/F4	KABEL RIT.SILIC.4mmq L.250 FF6.3 C/F4	CABLU RIT.SILIC.4mmq L.250 FF6.3 C/F4
8	22770202	CABLAGGIO AEP-EPU/2	WIRING AEP-EPU / 2	CABLAGE AEP-EPU / 2	KABEL AEP-EPU / 2	CABLU AEP-EPU / 2
8	22770302	CABLAGGIO AEP-EPU/3	WIRING AEP-EPU / 3	CABLAGE AEP-EPU / 3	KABEL AEP-EPU / 3	CABLU AEP-EPU / 3
9	18371057	INT.BIP.N.A.SIBILLA	SWITCH. BIP.N.A.SIBILLA	SWITCH. BIP.N.A.SIBILLA	SCHALTER. BIP.N.A.SIBILLA	COMUTATOR. BIP.N.A.SIBILLA
10	77594998	PIASTRINA PORTA INT. GL SAE/1+DISP. (1 FORO)	PLATE DOOR INT. GL SAE / 1 + DISP. (1 HOLE)	PLAQUE PORTE INT. GL SAE / 1 + DISP. (1 TROU)	PLATE TÜR INT. GL SAE / 1 + ANZ. (1 LOCH)	PLACĂ INT. GL SAE / 1 + DISP. (1 HOLE)
11	15373060	TASTO PULSANTIERE MECCANICHE GLORIA CROMATA	BUTTON BUTTON MECHANICAL GLORIA CHROME	BOUTON BOUTON MECANIQUE GLORIA CHROME	BUTTON BUTTON MECHANISCHE GLORIA CHROME	BUTON MECANIC GLORIA CROMAT (CU PEG)
12	22770102	CABLAGGIO AEP-EPU/1	WIRING AEP-EPU / 1	CABLAGE AEP-EPU / 1	KABEL AEP-EPU / 1	CABLU AEP-EPU / 1
13	20300015	TERMOSTATO EGO 169 C 55.32532.020	THERMOSTAT 169 C55.32532.020	THERMOSTAT 169 C55.32532.020	TERMOSTAT 163 C55.32532.020	TERMOSTAT 163 C55.32532.020
14	77699003	SCATOLA TERMOSTATO EGO MCE	BOX THERMOSTAT MCE	BOITE THERMOSTAT MCE	SCHACHTEL TERMOSTAT MCE	CUTIE PT. TERMOSTAT MCE
15	15486002	TAPPO FORO INTERRUTTORE	PLUG HOLE SWITCH	TAPPO FORO INTERRUTTORE	PLUG HOLE SCHALTER	PLUG HOLE COMUTATOR
16	19049	COPERTURA INTERRUTTORE MOLVENO B4PRT1	COVER SWITCH MOLVENO B4PRT1	COMMUTATEUR DU COUVRE MOLVENO B4PRT1	COVER SCHALTER MOLVENO B4PRT1	CAPAC COMUTATOR MOLVENO B4PRT1
17	18263	INT.BIP.NERO LED LUMIN.ROSSO Art.B438C1100G	SWITCH. BIP. BLACK BRIGHT LED. RED Art.B438C1	INTERRUTTORE.BIP.NERO LED LUMIN.ROSSO Art.B438C1	SCHALTER. BIP. BLACK LED LUMIN.ROSSO Art.B438C1	COMUTATOR. BIP. NEGRU BRIGHT LED. ROSU Art.B438C1
18	20150	PRESSOSTATO SECCO SIRAI P302/6	SIRAI P302/6 DRY PRESSURE SWITCH	PRESSOSTAT SEC SIRAI P302/6	TROCKENDRUCKWCHTER SIRAI P302/6	PRESOSTAT SIRAI P302/6
19	21024	LED D5 COL.ROSSO	RED LED D.5	LED ROUGE D.5	ROTES LED D.5	LED D5 ROSU
20	22625001	CAVO 1/2GR RL30/TIMEOUT SENZA LED	1/2 CABLE TIMEOUT UNIT EXCEPT LED	CABLE 1/2 GR. RL30/TIMEOUT LED	KABEL 1/2GR. RL30/TIMEOUT OHNE LED	CABLU 1/2GR RL30/TIMEOUT FARA LED
21	22625	CAVO 1/2GR RL30/TIMEOUT CON LED	1/2 CABLE TIMEOUT UNIT WITH LED	CABLE 1/2 GR. RL30/TIMEOUT LED	KABEL 1/2GR. RL30/TIMEOUT MIT LED	CABLU 1/2GR RL30/TIMEOUT CU LED
21	22626	CAVO 3/4GR RL30/TIMEOUT CON LED	3/4 CABLE TIMEOUT UNIT WITH LED	CABLE 3/4 GR. RL30/TIMEOUT LED	KABEL 3/4GR. RL30/TIMEOUT MIT LED	CABLU 3/4GR RL30/TIMEOUT CU LED
22	22717301	CABL.ALIM.MOT.RPM 120W NORMALE	CABLE SUPPLY MOTOR RPM 120W	CABLE ALIMENTER MOTEUR RPM 120W	KABEL DER FÜHREN MOTOR RPM 120W	CABLU DE ALIM.MOTOR 120W NORMAL
23	227179	CABL.SDOPPIATORE AEA WO/MU	WIRING. Splitter AEA WO / MU	RACCORDEMENT. Splitter AEA WO / MU	VERDRAHTUNG. SPLITTER AEA WO / MU	CABLU RAMIFICATOR AEA WO / MU
24	227181	CABL.PROLUNGA LAMPADINA	WIRING FOR LAMP	CABLE PROLONGE LAMPE	VERDRAHTUNG LAMPE	CABLU PRELUNGIRE LED



Pos.	Cod	Denominazione - IT -	Denomination - GB -	Denomination - FR -	Denomination - DE -	Denumire - RO -
25	21004	LAMPADA SPIA UL/CSA 110V 33220	LIGHT UL / CSA 110V 33220	LUMIÈRE UL / CSA 110V 33220	LIGHT UL / CSA 110V 33220	LED UL / CSA 110V 33220
26	21011001	LAMPADA SPIA VERDE CON GHIERA 250VAC-T120	250V GREEN INDICATOR LIG	AMPOULE TEMOIN VERT 250V	KONTROLLEUCHTE GRN 250V	LED VERDE 250V 332247030T
27	15073	CONN.2VIE PORTA M+FASTON AMPXXXXXX	PORTA M + FASTON CONNECTOR 2VIE AMPXXXX	PORTA M + CONNECTEUR FASTON 2VIE AMPXXXX	PORTA M + Flachstecker 2VIE AMPXXXXXX	CONECTOR 2VIE PORTA M + FASTON AMPXXXXXX
28	78200	SUPP.AEA RL30 x TUTTI I TELAI	AWR BEARING RL30xALL MOD.FRAMES	SUPP.REA RL30 POUR TOUS CHASSIS M	OADW.F HALTER RL30xFUR ALLE MOD.RAHMEN	SUPPORT PT. REG. DE NIVEL
29	18080001	REG.LIV.RL30/T.O.220/240V 917500.00	LEVEL CONTROL RL30 220/240V	CONTROLE NIVEAU RL30 220/240V	WASSERNIVEAUREGLER RL30 220/240V	REG.NIVEL RL30/T.O.220/240V 917500.00
30	19101	FUSIBILE 5x20 2A SF520220 OMEGA	FUSE OMEGA 5x20 2A	FUSIBLE OMEGA 5x20 2A	SCHMELZSICH.OMEGA 5x20 2A	SIGURANTA 5x20 2A SF520220 OMEGA
31	19122	PORTAFUSIBILE P2300 10A 250V OMEGA	FUSE HOLDER 6.3A 250V	PORTE-FUSIBLE 6.3A 250V	SICHERUNGSHALTER 6.3A 250V	SUP.PT.SIGURANTA P2300 10A 250V OMEGA
32	77691F	PROT.CENTR.RL30 PER SUPP.78200	RL30 GEARCASE PROTECTION	PROTECTION RL30	SCHUTZGITTER RL30	PROTECTIE PT. SUPORTUL M78200







Pos.	Cod	Denominazione - IT -	Denomination - GB -	Denomination - FR -	Denomination - DE -	Denumire - RO -
1	22627	CAVO PULSANTIERA 10 POLI 80CM 892400	80 CM CONNECTOR FOR P.BUTTON PANEL	CABLEAGE CLAVIER 80 CM	KABEL BEDIENBL 80 CM	CABLU PT. PULSAT. 80 CM
1	22628	CAVO PULSANTIERA CAP.xTC 10 POLI 140CM	140 CM CONNECTOR FOR P.BUTTON PANEL	CABLEAGE CLAVIER 140 CM	KABEL BEDIENBL 140 CM	CABLU PT. PULSAT. 140 CM
2	15183000	EPDM ESPANSO CN22 37.5X18X4 SCATOLA PULS.	EPDM FOAM CN22 37.5X18X4 GLORY BOX BUTTON	EPDM MOUSSE CN22 37.5X18X4 BOUTON GLORY	EPDM FOAM CN22 37.5X18X4 GLORY BOX BUTTON	SPUMA EPDM CN22 37.5X18X4 BUTON GLORY BOX
3	15373120	SCATOLA POST.PULSANTIERA PRATIC -11-	BACK BUTTON BOX PRATIC -11 -	TOUCHE BACK BOX PRATIC -11 -	ZURÜCK-TASTE BOX PRATIC -11 -	CUTIE BUTON PRATIC -11 -
4	18371131	C.S.PULSANTIERA 5T SAE PRATIC -11-	C.S. BUTTON 5T SAE PRATIC -11 -	C.S. TOUCHE 5T SAE PRATIC -11 -	C.S. TASTE 5T SAE PRATIC -11 -	C.S. BUTOANE 5B SAE PRATIC -11 -
4	15486016	TAPPO TERMINALE x TC	END CAP X TC	CEEMNBTORU.T 1X-2TCGR 230V	DECKEL X TC	CAPAC TERMINAL X TC
5	15373059	TASTO PULSANTIERE MECCANICHE GLORIA CRO	BUTTON BUTTON MECHANICAL GLORIA CHROME	BOUTON BOUTON MECANIQUE GLORIA CHROME	BUTTON BUTTON MECHANISCHE GLORIA CHROM	BUTON MECANIC GLORIA CROMAT
6	15373105	DISTANZIALE PULSANTIERE 7 TASTI GLORIA L11,17	KEYS BUTTON SPACER GLORIA 11 1	7 TOUCHES BOUTON SPACER GLORIA 11 1	7 KEYS BUTTON SPACER GLORIA 11 1	DISTANȚIER 7 TASTE GLORIA 11 1
7	15183030	EPDM ESPANSO PROTEZIONE SCATOLA PULSAN	EPDM FOAM PROTECTION BOX 5 BUTTON KEYS	PROTECTION EPDM DE BOÎTE DE MOUSSE 5 TOU	EPDM FOAM PROTECTION BOX 5 BUTTON KEYS	CUTIE DE PROTECȚIE EPDM SPUMA 5 TASTE
8	18371058	PULS.UNIP.N.A.SIBILLA	BUTTON. UNIP.N.A.SIBILLA	BOUTON. UNIP.N.A.SIBILLA	KNOPF. UNIP.N.A.SIBILLA	BUTON. UNIP.N.A.SIBILLA
9	18371057	INT.BIP.N.A.SIBILLA	SWITCH. BIP.N.A.SIBILLA	SWITCH. BIP.N.A.SIBILLA	SCHALTER. BIP.N.A.SIBILLA	ÎNTRERUPĂTOR. BIP.N.A.SIBILLA
10	77595000	PIASTRINA PORTA INTERRUTTORI GL	PLATE DOOR SWITCH GL	PLAQUE INTERRUPTEUR PORTE GL	PLATTE TÜR SCHALTER GL	SUPORT PENTRU ÎNTRERUPĂTOR GL
11	15373106	DIST.PULS.3T GLORIA L20 311322040050	3 KEYS BUTTON SPACER GLORIA L20 311322040050	3 TOUCHES BOUTON SPACER GLORIA L20 311322	3 KEYS BUTTON SPACER GLORIA L20 311322040050	DISTANȚIER 3 TASTE GLORIA L20 311322040050
12	15373060	TASTO PULSANTIERE MECCANICHE GLORIA CRO	BUTTON BUTTON MECHANICAL GLORIA CHROME	BOUTON BOUTON MECANIQUE GLORIA CHROME	BUTTON BUTTON MECHANISCHE GLORIA CHROM	BUTON MECANIC GLORIA CROMAT
13	22800503	CABL.SAE-EVD/1 PG9 WO-11-	WIRING SAE-EVD/1 PG9 WO-11-	CABLAGE SAE-EVD/1 PG9 WO-11-	KABEL SAE-EVD/1 PG9 WO-11-	CABLU SAE-EVD/1 PG9 WO-11-
14	18090031	<CENTR.1-3GR 230-240V RL3	CONTROL UNIT 1-3 GROUPS 230V, RL3.	L'UNITÉ DE COMMANDE 1-3 GROUPES 230V, RL3.	STEUERGERÄT 1-3 GRUPPEN 230V, RL3.	PROCESOR 1-3 GRUPURI 230V, RL3.
15	19104	FUSIBILE OMEGA 5x20 T-10A	OMEGA FUSE 5X20 T-10A	OMEGA FUSIBLE 5X20 T-10A	OMEGA FUSE 5X20 T-10A	OMEGA SIGURANȚĂ 5X20 T-10A
16	78152002	SUPP.CENTRALINA RL3 TELAIO STA	RL3 CHASSIS SUPPORT UNIT IS	RL3 CHASSIS UNITÉ DE SOUTIEN EST	RL3 CHASSIS SUPPORT UNIT IS	RL3 SUPORT PROCESOR
17	22800606	CABL.SAE-EVD/2 PG9 ECO-10+INT.EMERG.	WIRING SAE-EVD/2 PG9 ECO-10+EMERGENCY SWITC	CABLAGE SAE-EVD/2 PG9 ECO-10+URGENCE INTE	KABEL SAE-EVD/2 PG9 ECO-10+EMERGENCY SCHAI	CABLU SAE-EVD/2 PG9 ECO-10+ÎNTRERUPĂTOR DE
17	22800706	CABLAGGIO SAE-EVD/3	WIRING SAE-EVD/3	CABLAGE SAE-EVD/3	KABEL SAE-EVD/3	CABLU SAE-EVD/3

# MOT

## INDICE - INDEX - SOMMAIRE - VERZEICHNIS-INDEX

rev.

**MOT-70**

MOTOPOMPA - MOTOR PUMP  
MOTOPOMPE - MOTOR PUMP - MOTOPOMPA

1, 2 GR

**00**  
03/2014

**MOT-71**

MOTOPOMPA - MOTOR PUMP  
MOTOPOMPE - MOTOR PUMP - MOTOPOMPA

3 GR

**00**  
03/2014

MOTOPOMPA

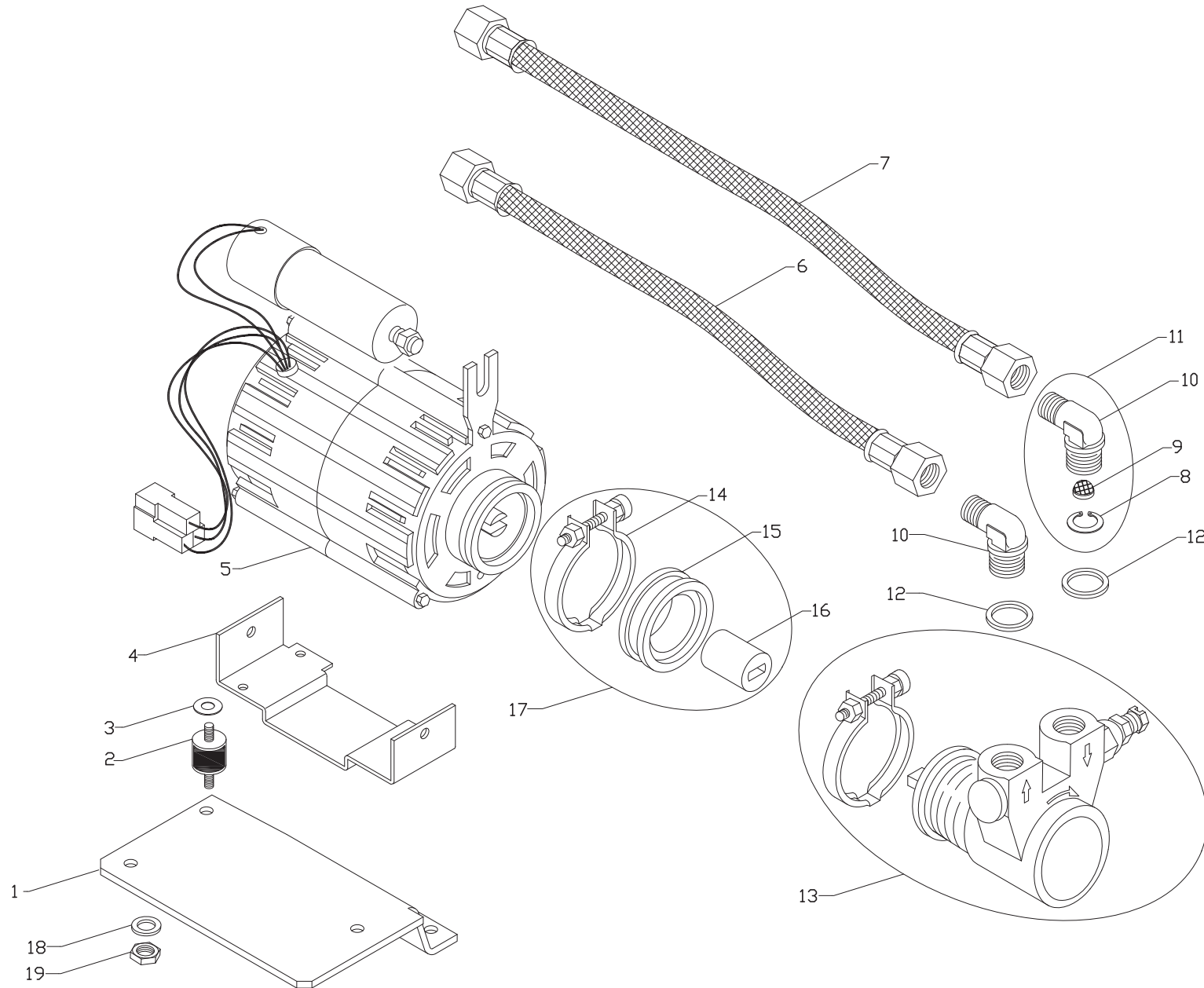
MOTOR PUMP

MOTOPOMPE

MOTOR PUMP

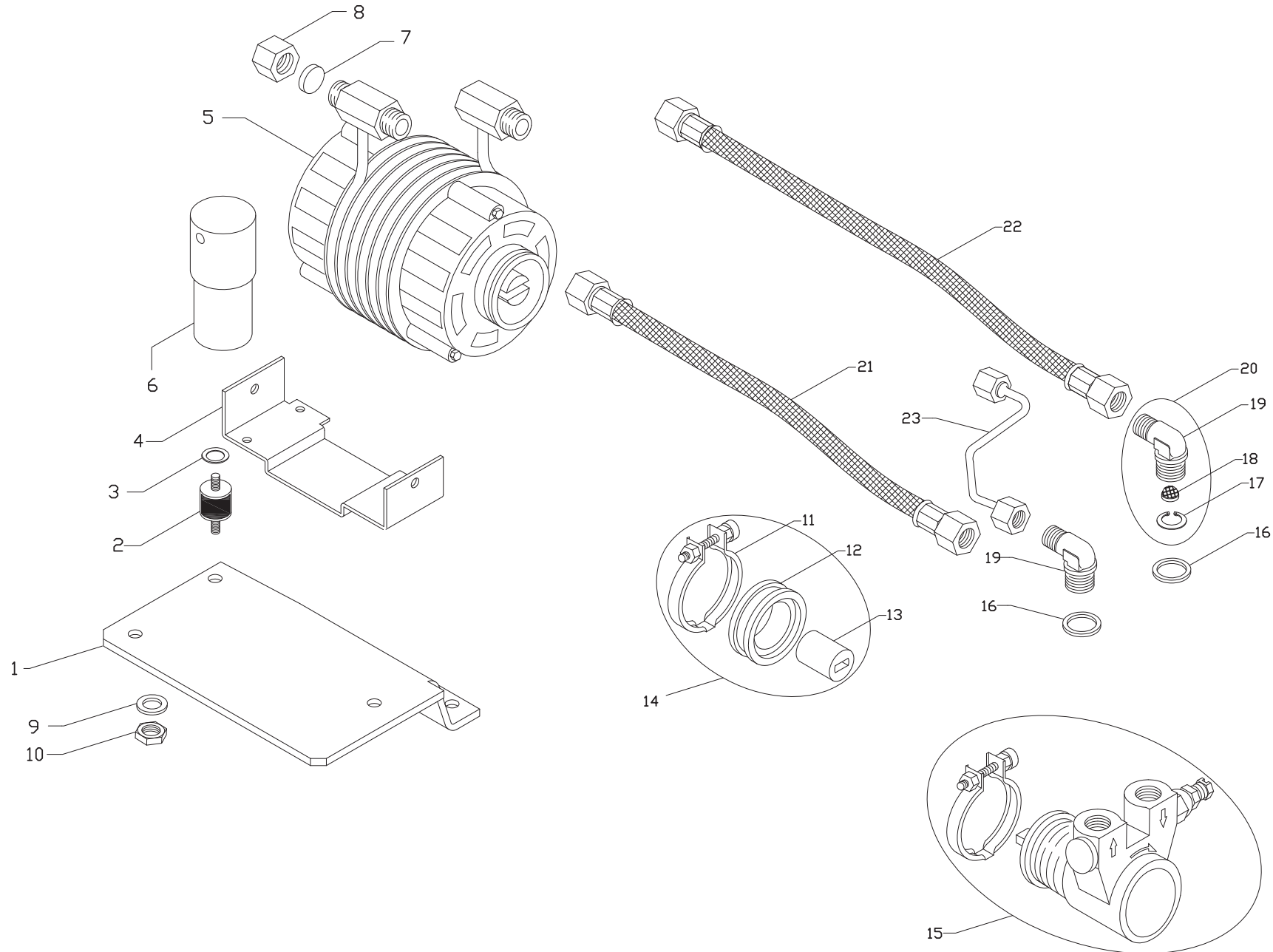
MOTOPOMPA

**NEW START**



Pos.	Cod	Denominazione - IT -	Denomination - GB -	Denomination - FR -	Denomination - DE -	Denumire - RO -
1	78174000	SUPP.MOTORE RPM 120W TELAIO ST	MOTORPUMP SUPPORT RPM 120W FRAME ST	SUPPORT MOTEUR POMPE RPM 120W CADRE ST	MOTORPUMPE SUPPORT RPM 120W FRAME ST	SUPORT PT. MOTOR RPM 120W CADRU ST
2	15105	GOMMA AMMORTIZ.x MOTORE RAF.H2	RUBBER FOR WATER COOLED MOTOR ZEC.	CAOUTCH.POUR MOTEUR REFROID.EAU ZEC	.GUMMI x WASSERGEKHLTER MOTOR ZEC.	GARN. CAUCIUC PT.AMORT.MOTOR
3	23265	RONDELLA GREMB. INOX 4x12 UNI	INOX WASHER 4x12 UNI	RONDELLE INOX 4x12 UNI	STHAL SCHEIBE 4x12 UNI	SAIBA INOX 4x12 UNI
4	78174	SUPP.MOTORE INCORPORATO R.P.M.	MOTOR BEAR. RPM	SUPPORT MOT. RPM	EINGEBAUTER MOTORHALTER RPM	SUPORT PT. MOTOR INCORPORAT
5	18303	MOTORE R.P.M. 230V 120W	MOTOR R.P.M. 230V 120W	MOTEUR R.P.M. 230V 120W	MOTOR R.P.M. 230V 120W	MOTOR R.P.M. 230V 120W
5	18303001	MOTORE R.P.M. 230V 150W	MOTOR R.P.M. 230V 150W	MOTEUR R.P.M. 230V 150W	MOTOR R.P.M. 230V 150W	MOTOR R.P.M. 230V 150W
6	30404	TUBOFLEX 3/8 FF P.GOMMA L45 Ni	FLEX PIPE 3/8 L45 CONICAL	TUYAU FLEX 3/8 FF L45 PORTE-TUYAU	SCHLAUCH 3/8 AUFNAHMETR L45 GUMMI KONI	TUB FLEXIBIL DIN CAUCIUC 3/8 FF ,L45
7	30408	TUBOFLEX 3/8FF P.GOMMA L150 NI	FLEX PIPE 3/8 L150	TUYAU FLEX 3/8 FF L150 PORTE-TUYAU	SCHLAUCH 3/8 AUFNAHMETR L150 GUMMI KONI	TUB FLEXIBIL 3/8FF L150 Ni.
8	10005	ANELLO DI ARRESTO IN.DIN472 D11	DIN472 D11 STAINLESS STEEL STOP RING	ANNEAU DE BUTEE INOX DIN472 D11	DRAHTSPRENGRING ROSTFREI DIN472 D11	INEL DIN INOX DE OPRIRE DIN472 D11
9	10254	FILTRO ACCIAIO 160-200 MESH	STEEL FILTER 160-200 MESH	FILTRE EN ACIER 160-200 MESH	STAHLFILTER 160-200 MESH	FILTRU DIN OTEL 160-200 MESH
10	43052	RACCORDO "L" 3/8	CONNECTOR 'L' 3/8	RACCORD 'L' 3/8	ANSCHLUSS 'L' 3/8	RACORD "L" 3/8.
11	56116001	RACCORDO GOMITO 3/8+3/8 MOTOPOMPA ASSI	CONNECTOR 3/8+3/8 PUMP ASSEMBLY	RACCORD 3/8 + 3/8 ENS. MOTOPOMPE	ANSCHLUSS 3/8 + 3/8 MOTORP. ZUSAMMEN	RACORD ANSAMBLU MOTOPOMPA 3/8+3/8
12	12101	GUARNIZIONE CU/ALIM 3/8 22x17x3	3/8 22x17x3 FEEDER/COPPER SEAL	JOINT CUIVRE/ALIM 3/8 22x17x3	KUPFERDICHTUNG/SPEIS. 3/8 22x17x3	GARNITURA DIN CUPRU PT.ALIMENTARE 3/8 22
13*	26303001	POMPA FLUID-O-TECH PA 104 NFS 3/8G	PUMP FLUID-O-TECH PO 104 NSF 3/8G	POMPE FLUID-O-TECH PO104 NFS 3/8G	PUMPE FLUID-O-TECH PO 104 NFS 3/8G	POMPA FLUID-O-TECH PA 104 NFS 3/8G
14	26310003	FASCETTA GIUNZIONE POMPA MOTORE	CLAMP MOTOR-PUMP	BANDE MOTEUR-POMPE	SCHELLE MOTOR-PUMPE	BANDA PT.LEGAREA POMPEI LA MOT.
15	15006010	DISTANZIALE POMPA MOTORE RPM	SPACING BAR RPM MOTOR PUMP	ENTRETOISE POMPE	DISTANZSTUECK MOTOR-PUMPE	DISTANTATOR DINTRE MOTOR-POMPA
16	15006011	GIUNTO POMPA MOTORE RPM	RPM MOTOR PUMP JOINT	JOINT DE POMPE	KUPPLUNG PUMPE-MOTOR	LEGATURA DINTRE MOTOR-POMPA
17	83260016R	KIT DISACOPPIAMENTO MOTORE-POMPA	KIT COUPLING MOTOR-PUMP	ENSEMBLE DECOUPLAGE MOTEUR POMPE	KIT MOTOR-PUMPE KUPPLUNG	KIT PT.DESPARTIRE MOTOR - POMPA
18	23261	RONDELLA INOX DENTELLATA D4	INOX WASHER D4	RONDELLE INOX D4	STHAL SCHEIBE D4	SAIBA ZIMTATA D4
19	23030	DADO INOX M4 UNI 5587	NUT S.STEEL M4 UNI 5587	ECROU INOX M4 UNI 5587 A2	SCHRAUBENMUTTER INOX M4 UNI 5587 A2	PIULITA DIN INOX M4 UNI 5587 A2

13\* 26303001 SOST. DA 4626303001 (28.04.2014)



Pos.	Cod	Denominazione - IT -	Denomination - GB -	Denomination - FR -	Denomination - DE -	Denumire - RO -
1	78174000	SUPP.MOTORE RPM 120W TELAIO ST	MOTORPUMP SUPPORT RPM 120W FRAME ST	SUPPORT MOTEUR POMPE RPM 120W CADRE ST	MOTORPUMPE SUPPORT RPM 120W FRAME ST	SUPORT PT. MOTOR RPM 120W CADRU ST
2	15105	GOMMA AMMORTIZ.x MOTORE RAF.H2	RUBBER FOR WATER COOLED MOTOR ZEC.	CAOUTCH.POUR MOTEUR REFROID.EAU ZEC	.GUMMI x WASSERGEKHLTER MOTOR ZEC.	GARN. CAUCIUC PT.AMORT.MOTOR
3	23265	RONDELLA GREMB. INOX 4x12 UNI	INOX WASHER 4x12 UNI	RONDELLE INOX 4x12 UNI	STHAL SCHEIBE 4x12 UNI	SAIBA INOX 4x12 UNI
4	78174	SUPP.MOTORE INCORPORATO R.P.M.	MOTOR BEAR. RPM	SUPPORT MOT. RPM	EINGEBAUTER MOTORHALTER RPM	SUPORT PT. MOTOR INCORPORAT
5	56406	MOTORE RPM NI 230V 50/60HZ H2O ASS	MOTOR RPM 230V 50/60HZ H2O	MOTEUR RPM 230V 50/60HZ H2O	MOTOR RPM 230V 50/60HZ H2O	MOTOR RPM 230V 50/60HZ H2O
6	19062001	CONDENSATORE MOTORE 230V 7UF	MOTOR CAPACITOR 230V 7UF	CONDENSATEUR MOTEUR 230V 7UF	KONDENSATOR MOTOR 230V 7UF	CONDENSATOR MOTOR 230V 7UF
7	12007	GUARNIZIONE KLINGERSIL4400	KLINGERSIL4400 SEAL JOINT	KLINGERSIL4400 POUR BOUCHON	DICHTUNG KLINGER SIL4400 X DECKEL	GARNITURA KLINGERSIL 4400
8	25782	TAPPO FEMMINA 1/4 GAS	1/4 GAS FEMALE TAP	BOUCHON FEMELLE 1/4 GAZ	INNENANSCHLUSSSTÖPSEL 1/4 GAS	DOP FEMEIE 1/4 GAZ
9	23261	RONDELLA INOX DENTELLATA D4	INOX WASHER D4	RONDELLE INOX D4	STHAL SCHEIBE D4	SAIBA ZIMTATA D4
10	23030	DADO INOX M4 UNI 5587	NUT S.STEEL M4 UNI 5587	ECROU INOX M4 UNI 5587 A2	SCHRAUBENMUTTER INOX M4 UNI 5587 A2	PIULITA DIN INOX M4 UNI 5587 A2
11	26310003	FASCETTA GIUNZIONE MOTORE-POMPA	CLAMP MOTOR-PUMP	BANDE MOTEUR-POMPE	SHELLE MOTOR-PUMPE	BANDA PT. LEGAREA POMPEI LA MOT.
12	15006010	DISTANZIALE POMPA MOTORE RPM	SPACING BAR RPM MOTOR PUMP	ENTRETOISE POMPE	DISTANZSTUECK MOTOR-PUMPE	DISTANTATOR DINTRE MOTOR-POMPA
13	15006011	GIUNTO POMPA MOTORE RPM	RPM MOTOR PUMP JOINT	JOINT DE POMPE	KUPPLUNG PUMPE-MOTOR	LEGATURA DINTRE MOTOR-POMPA
14	83260016R	KIT DISACOPPIAMENTO MOTORE-POMPA	KIT COUPLING MOTOR-PUMP	ENSEMBLE DECOUPLAGE MOTEUR POMPE	KIT MOTOR-PUMPE KUPPLUNG	KIT PT.DESPARTIRE MOTOR - POMPA
15*	26303	POMPA FLUID-O-TECH PA 104 NFS 3/8G	PUMP FLUID-O-TECH PO 104 NSF 3/8G	POMPE FLUID-O-TECH PO104 NFS 3/8G	PUMPE FLUID-O-TECH PO 104 NFS 3/8G	POMPA FLUID-O-TECH PA 104 NFS 3/8G
16	12101	GUARNIZIONE CU/ALIM 3/8 22x17x3	3/8 22x17x3 FEEDER/COPPER SEAL	JOINT CUIVRE/ALIM 3/8 22x17x3	KUPFERDICHTUNG/SPEIS. 3/8 22x17x3	GARNITURA DIN CUPRU PT.ALIMENTARE 3/8 22
17	10005	ANELLO DI ARRESTO INOX DIN472 D11	DIN472 D11 STAINLESS STEEL STOP RING	ANNEAU DE BUTEE INOX DIN472 D11	DRAHTSPRENGRING ROSTFREI DIN472 D11	INEL DIN INOX DE OPRIRE DIN 472 D11
18	10254	FILTRO ACCIAIO 160-200 MESH	STEEL FILTER 160-200 MESH	FILTRE EN ACIER 160-200 MESH	STAHLFILTER 160-200 MESH	FILTRU DIN OTEL 160-200 MESH
19	43052	RACCORDO "L" 3/8	CONNECTOR 'L' 3/8	RACCORD 'L' 3/8	ANSCHLUSS 'L' 3/8	RACORD "L" 3/8.
20	56116001	RACCORDO GOMITO 3/8+3/8 MOTOPOMPA ASSIEM	CONNECTOR 3/8+3/8 PUMP ASSEMBLY	RACCORD 3/8 + 3/8 ENS. MOTOPOMPE	ANSCHLUSS 3/8 + 3/8 MOTORP. ZUSAMMEN	RACORD ANSAMBLU MOTOPOMPA 3/8+3/8
21	30404	TUBOFLEX 3/8 FF P.GOMMA L45 Ni	FLEX PIPE 3/8 L45 CONICAL	TUYAU FLEX 3/8 FF L45 PORTE-TUYAU	SCHLAUCH 3/8 AUFNAHMETR L45 GUMMI KONI	TUB FLEXIBIL DIN CAUCIUC 3/8 FF ,L45
22	30408	TUBOFLEX 3/8FF P.GOMMA L150 NI	FLEX PIPE 3/8 L150	TUYAU FLEX 3/8 FF L150 PORTE-TUYAU	SCHLAUCH 3/8 AUFNAHMETR L150 GUMMI KONI	TUB FLEXIBIL 3/8FF L150 Ni.
23	52005013	TUBO D-6 L.125 FM14	TUBE D-6 L.125 FM14	TUYAU D-6 L.125 FM14	ROHR D-6 L.125 FM14	TUB D-6 L.125 FM14

15\* 26303 SOST. DA 4626303 (05.05.2014)

**ADD**

**INDICE - INDEX - SOMMAIRE - VERZEICHNIS-INDEX**

**ADD-80**

ADDOLCITORI - WATER SOFTENER  
ADOUCISSEUR - ENTHARTER - DEDURIZATOR

rev.

**00**  
03/2014

ADDOLCITORI

WATER SOFTENER

ADOUCISSEUR

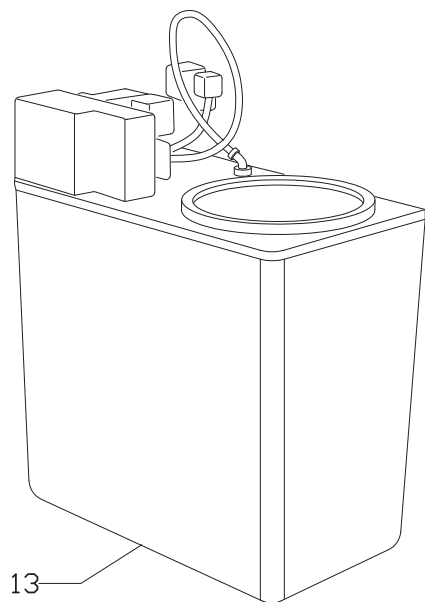
ENTHARTER

DEDURIZATOR

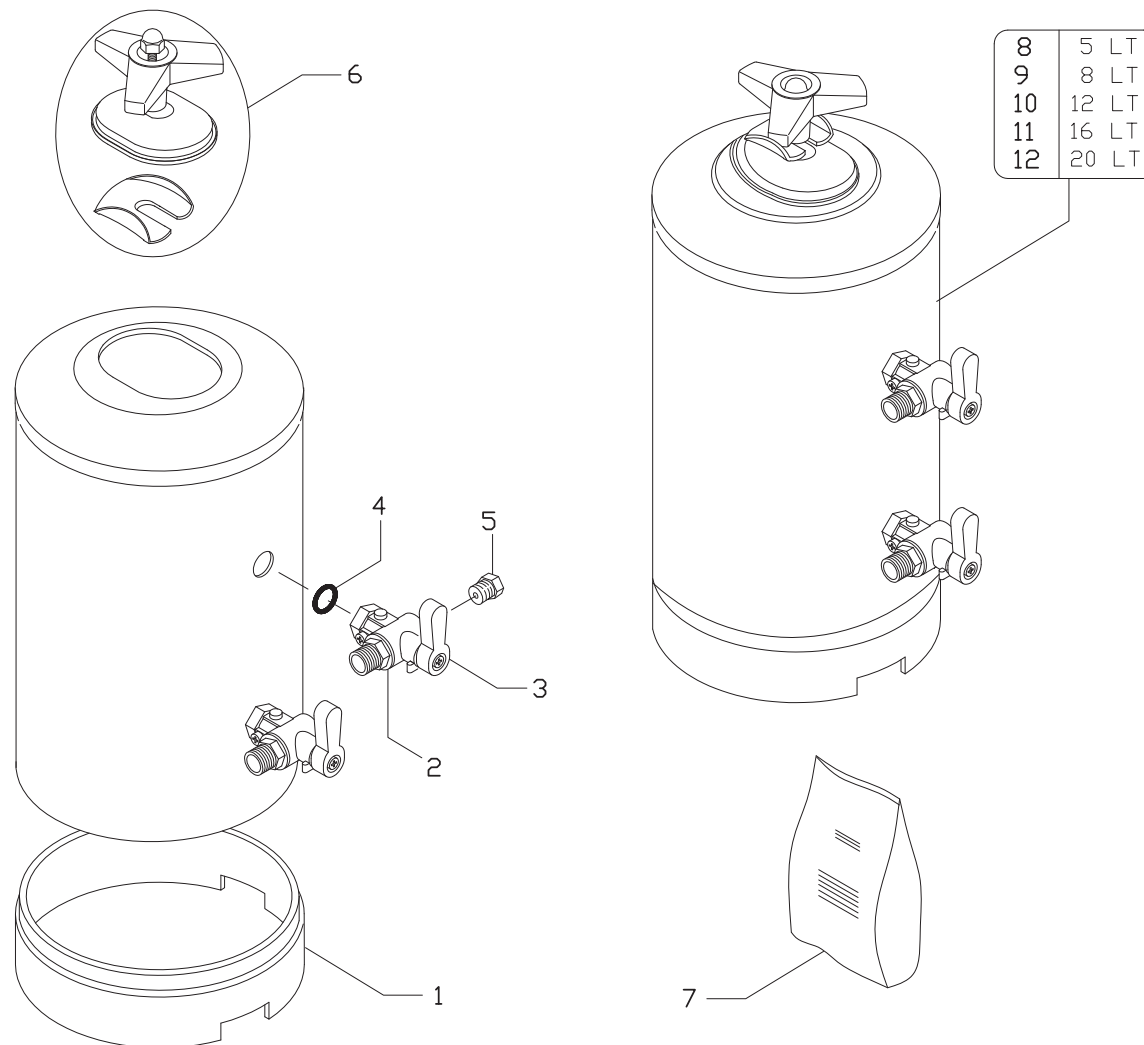
**NEW START**



AUTOMATICO-AUTOMATIC  
AUTOMATIQUE-AUTOMATISCHE



RESINE - RESIN  
KUNSTHARZ



Pos.	Cod	Denominazione - IT -	Denomination - GB -	Denomination - FR -	Denomination - DE -	Denumire - RO -
1	28072	FONDELLO ADDOLCITORE	SOFTENER PLASTIC LOWER BASE	CULOT ADOUCISSEUR	BODEN ENTKALKER	SUPORT DEDURIZATOR
2	28284	RUBINETTO PER ADDOLCITORE+MANOPOLA	TAP FOR SOFTENER	ROBINET POUR ADOUCISSEUR	HAHN FR ENTHRTER	ROBINET SI MANER PT.DEDURIZATOR
3	28203	MANOPOLA ROSSA RUBINETTO ADDOLCIT.	RED HANDLE x WATER SOFTENER TAP	POIGNEE ROUGE x ROBINET ADOUCISSEUR	ROTER HANDGRIFF x ENTKALKERHAHN	MANER ROSU PT.DEDURIZATOR
4	12300	GU OR 113 HNBR 70SH VERDE	O RING GASKET 113 NBR/70	JOINT OR 113 NBR/70	OR-DICHTUNG 113 NBR/70	GARNITURA 113 HNBR 70SH VERDE
5	10320500	GIGLER OT x ADD. M6 FORO D-1 R13	SOFTENER LOWER TAP GIGLEUR	GICLEUR LAITON POUR ADOU. M6 x D-1	VERMESSINGTE ENTKALKER M6 D-1	JIGLER ALAMA OT.DEDUR.M6 D-1 R1
6	28205001	TAPPO ADDOLCITORE COMPLETO C20	SOFTENER COMLETE TOP LID	BOUCHON ADOUCISSEUR	DECKEL FUER ENTKAELKER	CAPAC COMPLET PT. DEDURIZATOR C
7	28283	SACCO RESINA PER ADDOLCITORE 25 kg.	SOFTENER RESIN 25 kg.	RESINE ADOUCISSEUR 25 kg.	KUNSTHARZ FUR ENTKALKER 25 kg.	RASINI PT. DEDURIZATOR 25 kg.
8	26029	ADDOLCITORE DVA LT 5	DVA 5 LT WATER SOFTENER LT 5	ADOUCISSEUR DVA LT 5	ENTKAELKER DVA LT 5	DEDURIZATOR DVA LT 5
9	26030	ADDOLCITORE DVA LT 8	DVA 8 LT WATER SOFTENER L T8	ADOUCISSEUR DVA LT 8	ENTHRTER DVA LT 8	DEDURIZATOR DVA LT 8
10	26031	ADDOLCITORE DVA LT 12	DVA 12 LT WATER SOFTENER LT 12	ADOUCISSEUR DVA LT 12	ENTHRTER DVA LT 12	DEDURIZATOR DVA LT 12
11	26032	ADDOLCITORE DVA LT 16	DVA 16 LT WATER SOFTENER LT 16	ADOUCISSEUR DVA LT 16	ENTHRTER DVA LT 16	DEDURIZATOR DVA LT 16
12	26038011	ADDOLCITORE DVA LT 20	DVA 20 LT WATER SOFTENER LT 20	ADOUCISSEUR DVA LT 20	ENTHRTER DVA LT 20	DEDURIZATOR DVA LT 20
13	26037	ADDOLC.AUT.CABIN.LT 8 DM 01 3/8"	AUTOMATIC WATER SOFTENER LT 8	ADOUCISSEUR AUTOMATIQUE LT 8	AUTOMATISCHE ENTHARTER DVA LT 8	DEDURIZATOR AUTOMAT LT8

**FPSA**

**INDICE - INDEX - SOMMAIRE - VERZEICHNIS-INDEX**

**FPSA-90**

FILTRI E PORTAFILTRI - FILTERS & FILTER SUPPORT  
FILTRE ET PORTE FILTRE - FILTER UND FILTERHALTERUNG - FILTRE SI PORTAFILTRE

rev.

**00**  
03/2014

**FILTRI E  
PORTAFILTRI**

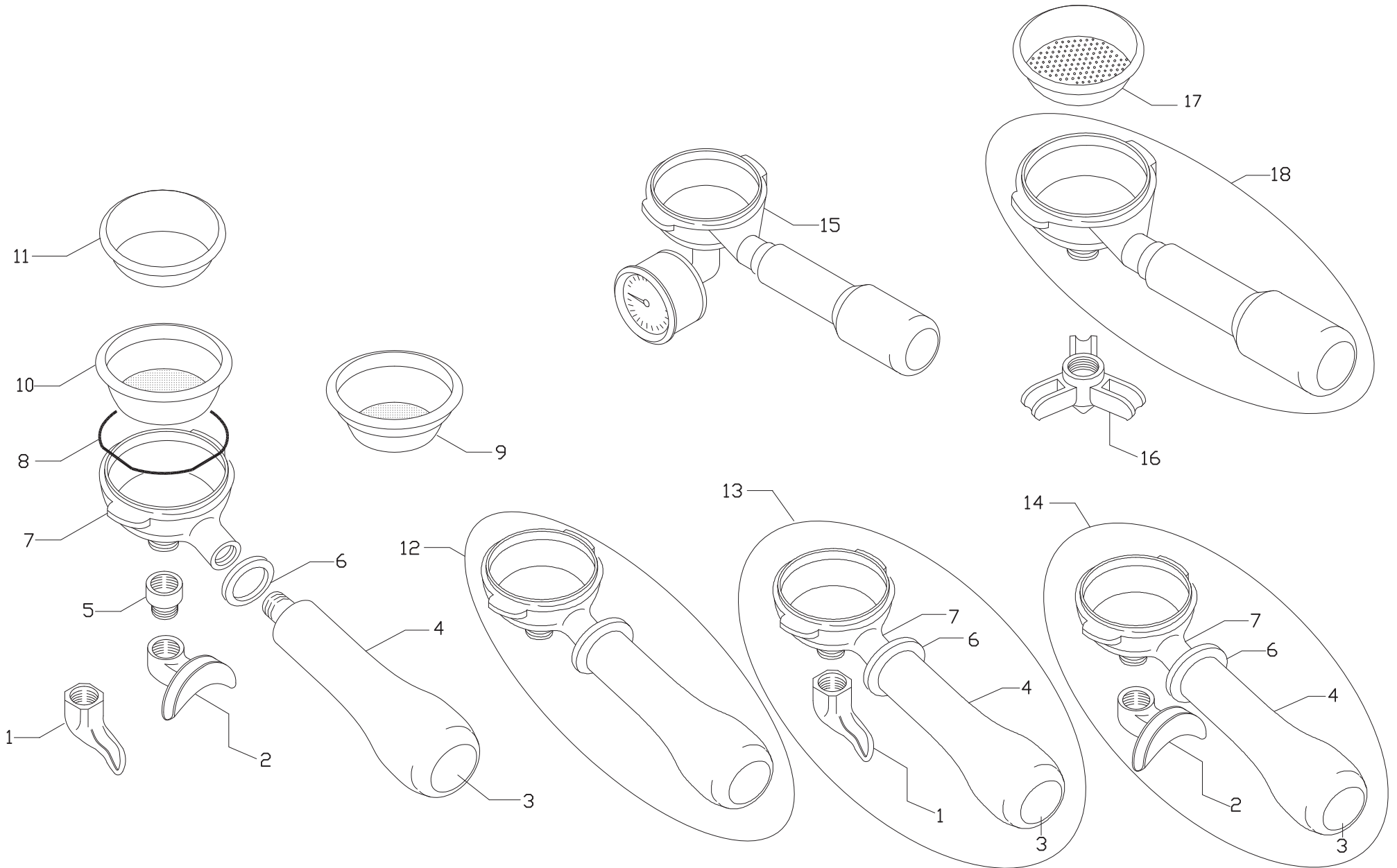
**FILTERS &  
FILTER SUPPORT**

**FILTRE ET  
PORTE FILTRE**

**FILTER UND  
FILTERHALTERUNG**

**FILTRE SI  
PORTAFILTRE**

**NEW START**



Pos.	Cod	Denominazione - IT -	Denomination - GB -	Denomination - FR -	Denomination - DE -	Denumire - RO -
1	27032001	BECCUCCIO OTT/NI 1 TAZZA "CMA 01"	BRASS SPOUT/NI 1 LONG CUP	BEC LAITON/NICKELE 1 TASSE LONG	AUSGUSS MESSING/NICKEL 1 TASSE LANG	CIOC DIN ALAMA PT.O CEASCA"CMA 01"
2	27042001	BECCUCCIO OTT/NI 2 TAZZE "CMA 01"	2 CUPS BRASS/NICKEL SPOUT	BEC 2 TASSES LAITON/NICKEL	MESSING/NICK. SCHNABEL FR 2 TASSEN	CIOC DIN ALAMA PT.2 CESTI"CMA 01"
3	15486006	TAPPO MANOP.PORTAFILTRO CMA*01"CROMAT	CAP FILTER HOLDER KNOB	BOUCHON POIGNEE PORTE-FILTRE	GRIFFVERSCHLUSS FILTERHALTER	DOP MANER PORTAFILTRU"CMA 01"CROMAT
4	15263010	MANOP.PORTAFILTRO"CMA01"NERA+INSERTO	FILTER HOLDER KNOB	POIGNEE PORTE-FILTRE	FILTERHALTER GRIFF	MANER PORTAFILTRU "CMA 01" NEGRU
5	27060201	PROLUNGA BECC. 1/2 TAZZE *99*	EXTENSION SPOUT	PROLONGE BEC	VERLANGERUNG	PRELUNGIRE CIOC CURGERE 1/2 TAZZE *99*
6	15296010	GHIERA ANTISCOTTATURA MANOP.CMA*04"	ANTI-SCORCH PLASTIC RING	RONDELLE ANTI-BRULURE POUR POIGNEE	RING FUER SIEBTRAEGER	INEL PLASTIC PT.MANER IMPOT.ARDERII
7	27311	PORTAFILTRO CMA'01 LAV+CROM	FILTER-HOLDER	PORTE-FILTRE	FILTERHALTER CHROM	PORTAFIL.CMA'01LAV+CROM(FARA MANER)
8	27254	MOLLA FERMAFILTRO D-1,4	FILTER CLAMP SPRING D-1,4	RESSORT BLOCAGE-FILTRE D-1,4	FILTERHALTEFEDER D-1,4	ARC PT. PORTAFILTRU
9	27142	FILTRO INOX 1 TAZZA E/61+CAN. P.1,5	E/61 1 CUP S.STEEL FILTER H24+DUCT	FILTRE IN.1 TASSE E/61 H24+RIGOLE	EDELSTAHL-FILT.1 TASSE E/61 H24+FUE	FILTRU IN.PT.O CESACA E/61+CAN.P1,5
10	27171	FILTRO INOX 2 TAZZE E/61+CAN. P.1,5	E/61 2 CUP S.STEEL FILTER H24,5+DUC	FILTRE IN.2 TASSES E/61 H24,5+RIGOLE	EDELSTAHL-FILT.2 TASSEN E/61 H24,5	FILTRU IN.PT.2 CESTI E/61+CAN.P1,5
11	27173	FILTRO INOX 2 TAZZE CIECO	2 CUP STAINLESS STEEL BLIND FILTER	FILTRE INOX 2 TASSES AVEUGLE	GESCHLOSSENER FILTER 2 TASSEN	FILTRU DIN INOX PT.2 CESTI ORB
12	27311000	PORTAFILTRO "CMA 01"LAV+CROM+MANOPOL	FILTER HOLDER UNIT	ENSEMBLE PORTE-FILTRE	FILTERHALTER SATZ	PORTAFILTRU CU MANER CROMAT"CMA 01"
13	27311050	PORTAFILTRO CMA 1 TAZZA	ONE CUP-FILTERHOLDER+SINGLE SPOUT	PORTE-FILTRE 1 TASSE	SIEBTRAGER+AUSLAUF 1 TASSE	PORTAFILTRU CMA PT. 1 CEASCA
14	27311051	PORTAFILTRO CMA 2 TAZZE	TWO CUPS-FILTERHOLDER+DOUBLE SPOUT	PORTE-FILTRE 2 TASSES	SIEBTRAGER+AUSLAUF 2 TASSEN	PORTAFILTRU CMA PT. 2 CESTI
15	56009901	PORTAFILTRO 27203 MODxPROVE FILTRI	FILT.HOLDER MOD.FOR SEMIAUTO MACH.	PORTE-FILTRE AVEC MANOMETRE	FILTERHALTER FUER FILTERPROBE	PORTAFILTRU PT. PROBE CU MANOMETRU
16	27050	BECCUCCIO OTT/NI 3 TAZZE CORTO	BRASS SPOUT /NI 3 SHORT CUPS	BEC LAITON/NICKELE 3 TASSES COU	AUSGUSS OTT/NI 3 TASSEN KURZ	CIOC DIN ALAMA PT.O CEASCA
17	27190	FILTRO INOX 3 TAZZE 304/28	3 CUP STAINLESS STEEL FILTER 304/28	FILTRE INOX 3 TASSES 304/28	ROSTFREIER FILTER 3 TASSEN 304/28	FILTRU IN.PT. 3 CESTI
18	27304	PORTAFILTRO	FILTER SUPPORT	PORTE-FILTRE	FILTERHALTERUNG	PORTAFILTRU

**ACC**

**INDICE - INDEX - SOMMAIRE - VERZEICHNIS-INDEX**

**ACC-100**

ACCESSORI - ACCESSORIES  
ACCESSOIRES - ZUBEHOR - ACCESORII

rev.

**00**  
03/2014

ACCESSORI

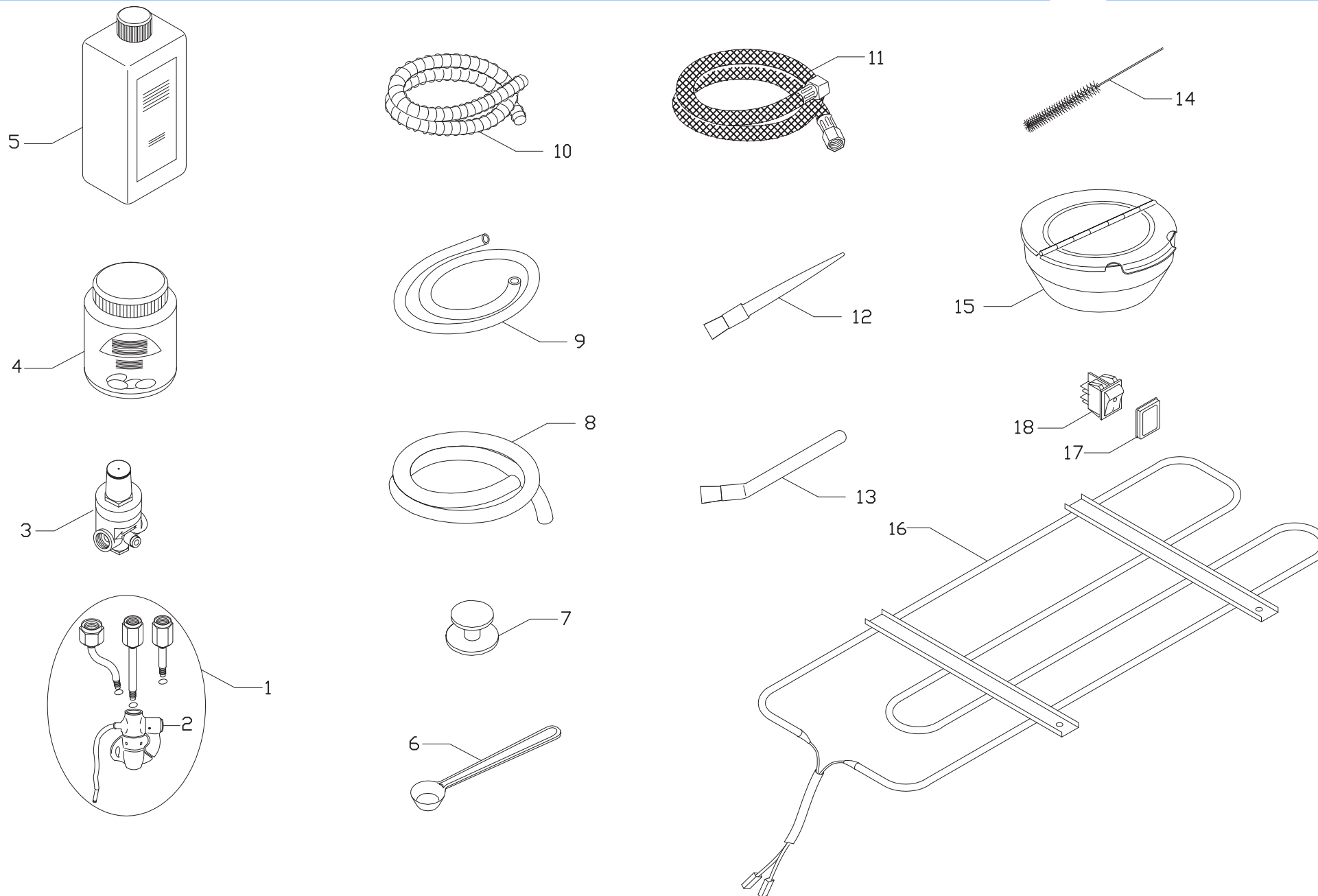
ACCESSORIES

ACCESSOIRES

ZUBEHOR

ACCESORII

**NEW START**



Pos.	Cod	Denominazione - IT -	Denomination - GB -	Denomination - FR -	Denomination - DE -	Denumire - RO -
1	83300012R	KIT CAPPUCCINATORE GPR STANDAR	KIT CAPPUCCINO MAKER GPR STANDAR	KIT CAPPUCCINO GPR STANDAR	KIT CAPPUCCINOGERAET	KIT CAPPUCCINO
2	30515000	CAPPUCCINATORE COMPLETO GPR 0.50.01	CAPPUCCINO MAKER COMPLETE	KIT CAPPUCCINO COMPLET	CAPPUCCINO ZUBEREITER	DISP. CAPPUCCINO COMP.GPR 0.50.01
3	26330	RIDUTTORE PRESS.STANDARD PN25 DN3/8	STANDARD PRESS. REDUCTOR PN25 DN3	REDUCTEUR PRESS.STANDARD PN25 DN3/	DRUCKREDUZIERER STANDARD PN25 DN3/8	REDUCTOR STAND.DE PRES.PN25 DN3/8
4	8452	DETERGENTE KMR pastiglie CONF.200pz	KMR PACK OF 200 TAB	DETERG.KMR CONF.200 PASTIL	REINIGUNGSM. KMR PACK 200 TABL	DETER.KMR PT.CURAT.APARTE DE CAFEA
5	8453	DETERGENTE V7000 CONF.1Lt	DETERGENT V7000 - 1 LT. PACK	DETERGENT V7000 de 1 lt	REINIGUNGSMITTEL V7000 PACKUNG 1 L	DETER. V7000 PT.CURAT.KIT DE CAPP.
6	15290	MISURINO IN PLASTICA gr.7	7 gr PLASTIC MEASURE	MESURE EN PLASTIQUE 7 gr.	PLASTIKMESSBECHER gr.7	DOZA DE CAFEA NECES.PT 1CAFEA-7gr.
7	15420	PRESSINO CAFFE'	COFFEE PRESS	PRESSE CAFE	EINDRCKVORRICHTUNG	PRESATOR CAFEA DIN PLASTIC
8	15458	TUBO RETINATO CRISTALLINO 16x10	TUBE 16x10	TUYAU 16x10	ROHR 16x10	FURTUN 16x10
9	15476	TUBO SILICONE 5x8 KGxMt 0.044	5x8 SILICONE PIPE	TUYAU SILICONE 5x8 KGxMt 0.04	SILIKONROHR 5x8 KGxMt 0.044	FURTUN DIN SILICON 5x8 KGxMt 0.044
10	15470001	TUBO CAVOFLEX D16 SCARICO	D16 CAVOFLEX DRAIN PIPE	TUYAU CAVOFLEX D16 SCARICO	ABFLUSSROHR CAVOFLEX D16	FURTUN FLEXIBIL PT. SCURGERE D16
11	30401	TUBOFLEX 1/4FF P.GOMMA CON. L28 Ni	1/4 FEMALE L28 FLEX PIPE CONIC.HOSE	TUYAU FLEX 1/4 FF L28 PORTE-TUYAU	SCHLAUCH 1/4 AUFNAHMETR L28 GUM.KONI	FURTUN DIN CAUCIUC 1/4FF, L28NI
11	30403	TUBOFLEX 3/8FF P.GOMMA CON. L33 Ni	3/8 FEMALE L33 FLEX PIPE CONIC.HOSE	TFUYAU FLEX 3/8 FF L33 PORTE-TUYAU	SCHLAUCH 3/8 AUFNAHMETR L33 GUM.KONI	FURTUN DIN CAUCIUC 3/8, L33 NI
11	30404	TUBOFLEX 3/8 FF P.GOMMA CON. L45 Ni	3/8 FEMALE L45 FLEX PIPE CONIC.HOSE	TUYAU FLEX 3/8 FF L45 PORTE-TUYAU	SCHLAUCH 3/8 AUFNAHMETR L45 GUM.KONI	FURTUN DIN CAUCIUC 3/8, L45 NI
11	30407	TUBOFLEX 3/8FF P.GOMMA CON. L100 Ni	3/8 FEMALE L100 FLEX PIPE CONIC.HOS	ETUFYAU FLEX 3/8 FF L100 PORTE-TUYAU	SCHLAUCH 3/8 AUFNAHMETR L100 GUM.KONI	FURTUN DIN CAUCIUC 3/8, L100 NI
11	30408	TUBOFLEX 3/8FF P.GOMMA CON. L150 Ni	3/8 FEMALE L150 FLEX PIPE CONIC.HOS	ETUFYAU FLEX 3/8 FF L150 PORTE-TUYAU	SCHLAUCH 3/8 AUFNAHMETR L150 GUM.KONI	FURTUN DIN CAUCIUC 3/8, L150 NI
12	8340	PENNELLO MANICO ROSSO	CAPPUCCINO MAKER COMPLETE	KIT CAPPUCCINO COMPLET	CAPPUCCINO ZUBEREITER	PERIE CU MANER ROSU
13	15426	SPAZZOLINO NERO SETOLE NYLON CORTE	SHORT BLACK NYLON BRISTLE BRUSH	PETITE BROSSSE NOIR AVEC POILS NYLO	NKURZE, SCHWARZE NYLONBUERSTE	PERIE NEAGRA CU PERI DIN NAYLON SC
14	15426001	SCOVOLINO INTERDENTALE L MAN.ROSSO	MANUAL TUBE BRUSH L RED M	ECOUVILLON L MANUEL ROUGE M	REINIGUNGSBUERSTE MANUELL ROT	PERIUTA PT.CURATA ROSIE
15	30300	ZUCCHERIERA INOX	STAINLESS STEEL SUGAR-BOWL	SUCRIER INOX	ZUCKERDOSE ROSTFREI	ZAHARNITA INOX
16	17022	RES.2GR 230V 200W SCTE	HEATING ELEMENT 2GR 230V 200W	RESISTANCE 2GR 230V 200W	WIDERSTAND 2GR 230V 200W	REZ.EL.PT.SIST.DE INCALZ.CESTI 2GR
16	17023	RES.3GR 230V 250W SCTE	HEATING ELEMENT 3GR 230V 250W	RESISTANCE 3GR 230V 250W	WIDERSTAND 3GR 230V 250	REZ.EL.PT.SIST.DE INCALZ.CESTI 3GR
17	19049	COPERTURA INTERR.MOLVENO B4PRT1	SWITCH COVER	PROTECTION INTERRUPTEUR	SCHALTER ABD.	PROTECTIE INTRERUP.MOLVENO B4PRT1
18	18263	INT.BIP.NERO LED LUMIN.ROSSO	BIP. LUMIN. BLACK SWITCH	INTER.BIP.LUMIN. NOIR	ZWEIP.SCHALTER M. SCHWARZ LEUCHTE	INTRERUP.BIPOLAR NEGRU CU LED ROSU