

INDICE - INDEX - SOMMAIRE - VERZEICHNIS-INDEX

CFM

rev.

CFM-01

CARROZZERIA NERO/INOX - BODY PARTS BLACK/STEEL
CAROSSERIE NOIR/INOX - KAROSSERIE SCHWARZ/STHAL
CAROSERIE NEGRU/INOX

00

12/2012

CFM-02

CARROZZERIA BIANCO/INOX - BODY PARTS WHITE/STEEL
CAROSSERIE BLANC/INOX - KAROSSERIE WEIß/STHAL
CAROSERIE ALB/INOX

00

12/2012

CFM-03

CARROZZERIA ROSSO/INOX - BODY PARTS RED/STEEL
CAROSSERIE ROUGE/INOX - KAROSSERIE ROT/STHAL
CAROSERIE ROSU/INOX

00

12/2012

CFM-04

CARROZZERIA BIANCO - BODY PARTS WHITE
CAROSSERIE BLANC - KAROSSERIE WEIß
CAROSERIE ALB

00

12/2012

CFM-05

CARROZZERIA NERO - BODY PARTS BLACK
CAROSSERIE NOIR - KAROSSERIE SCHWARZ
CAROSERIE NEGRU

00

12/2012

CARROZZERIA

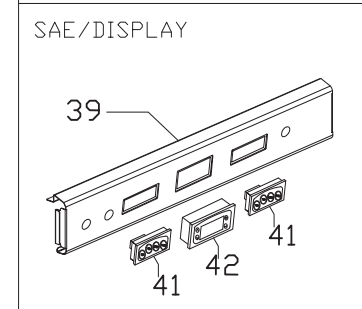
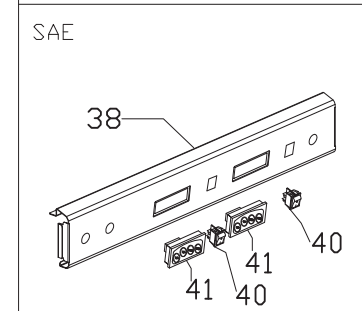
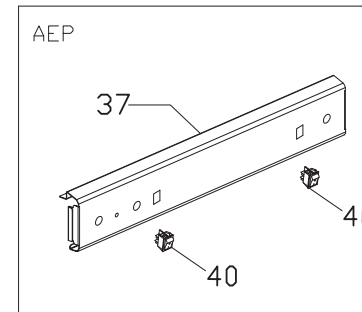
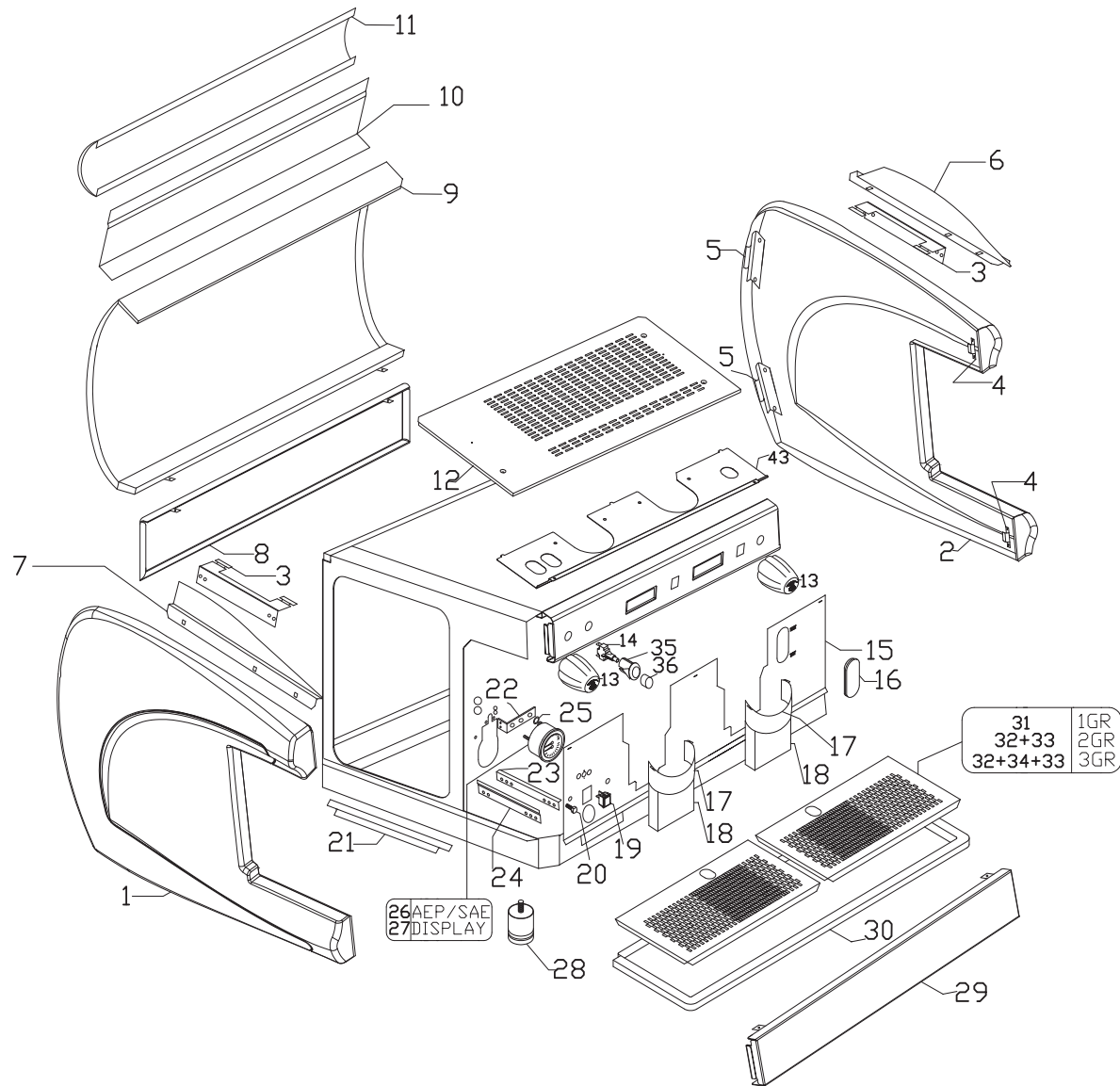
BODY PARTS

CAROSSERIE

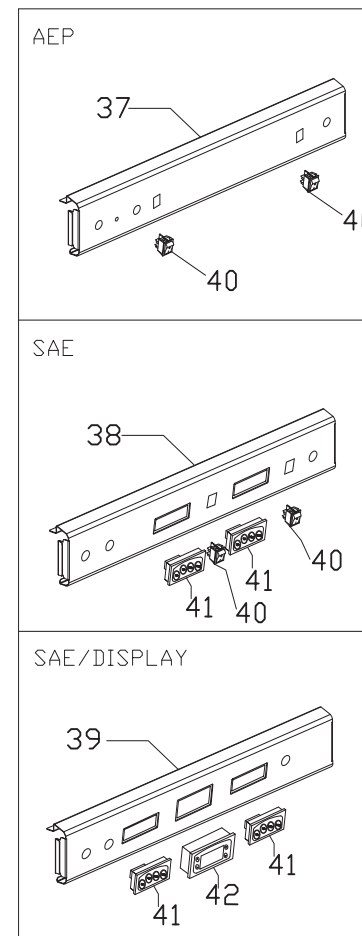
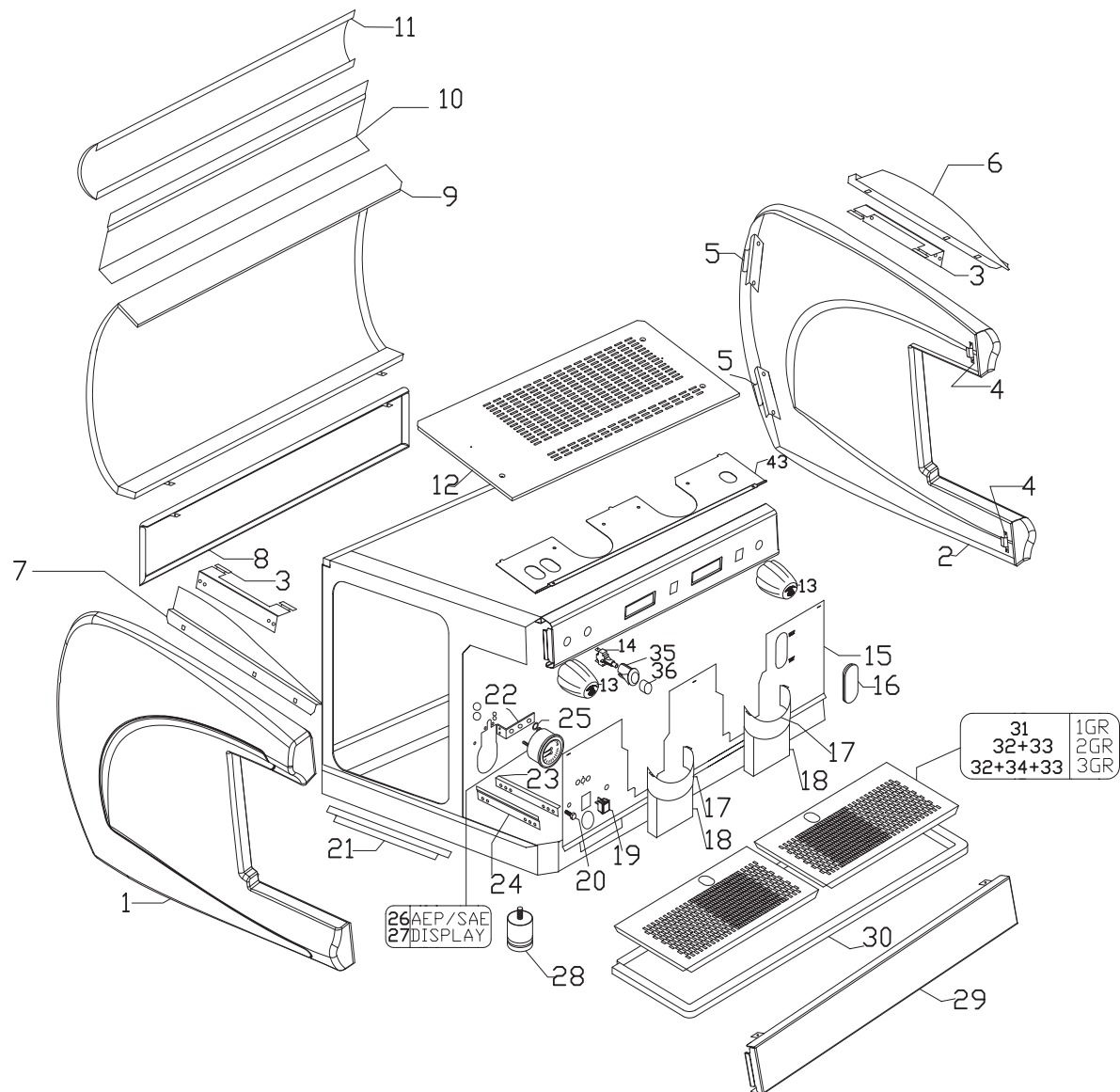
KAROSSERIE

CAROSERIE

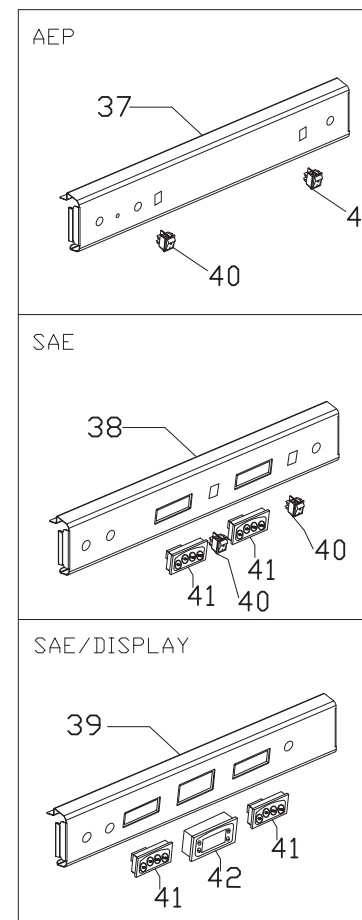
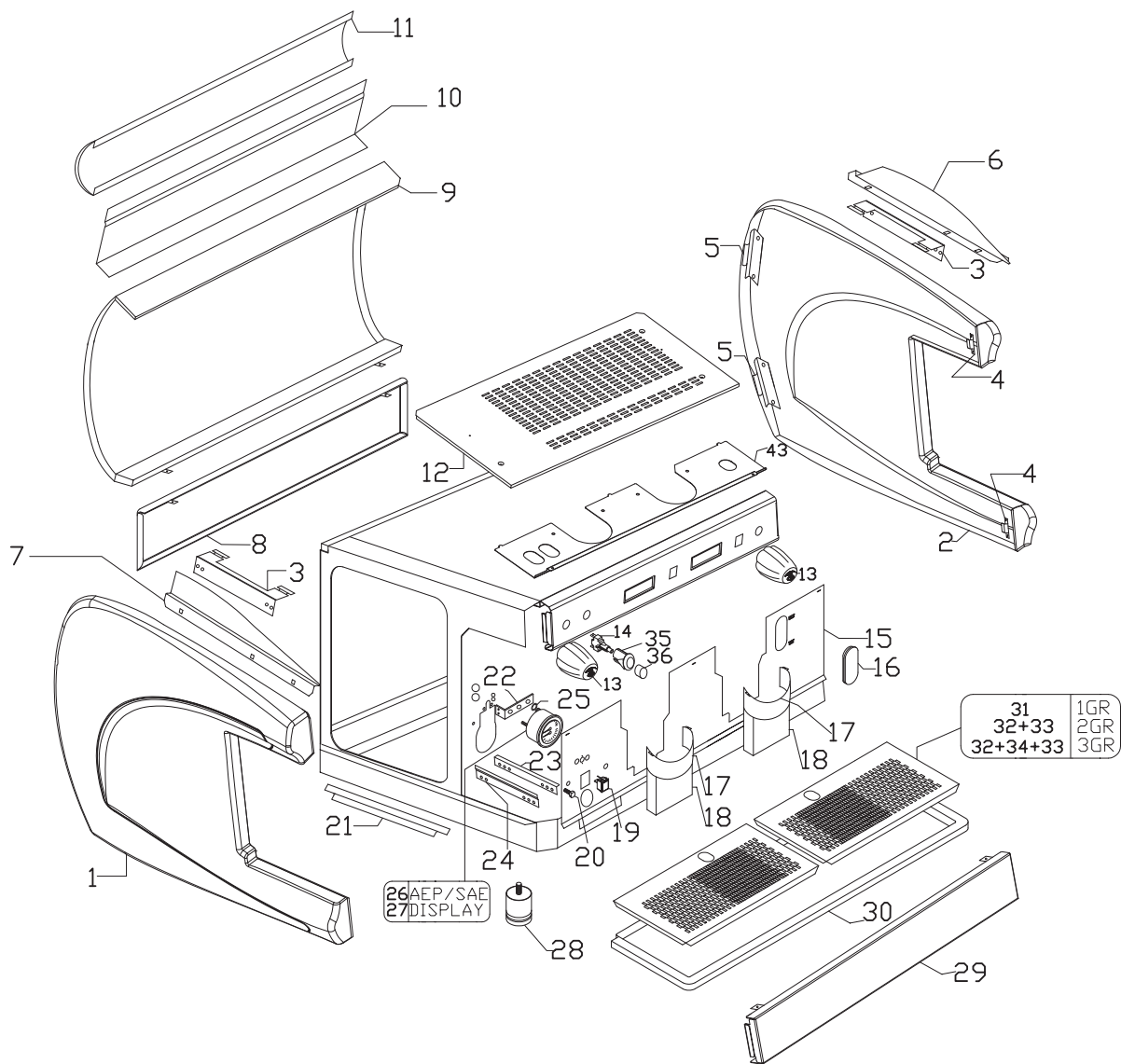
FORMA



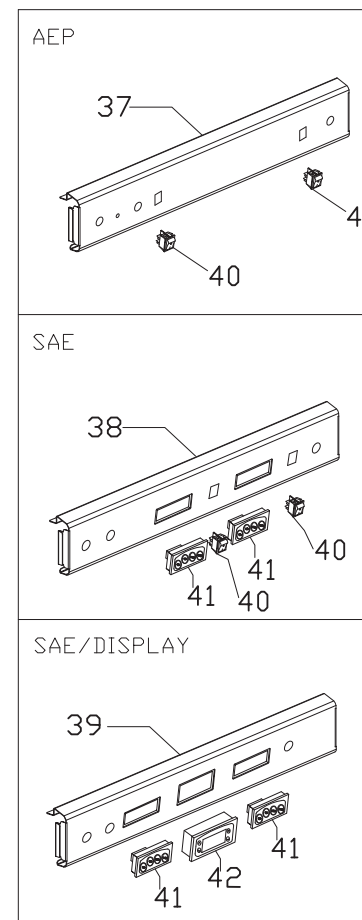
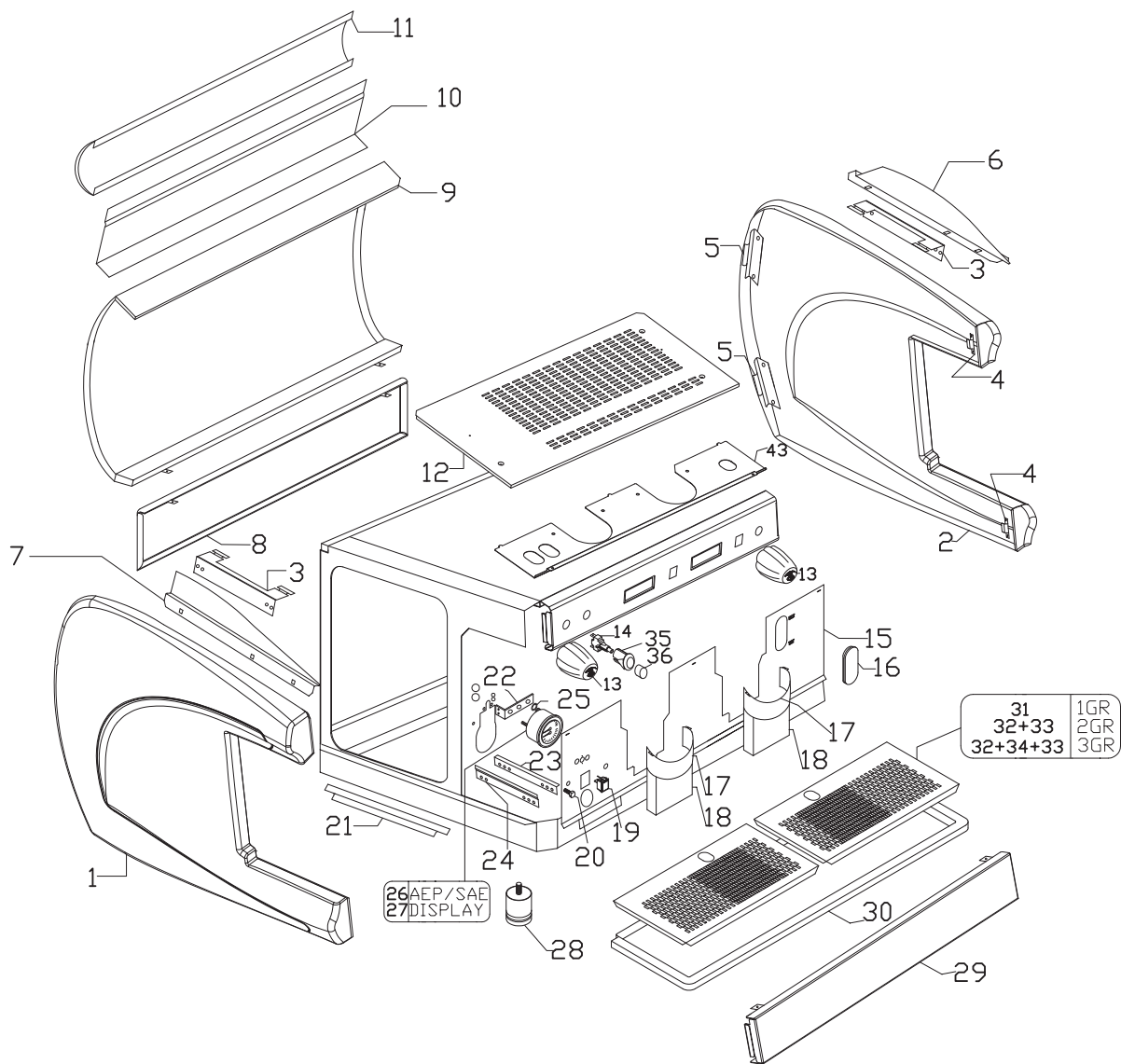
Pos	Cod.	Denominazione - IT -	Denomination - GB -	Denomination - FR -	Denomination - DE -	Denumire - RO -
1	73130603	FIANCO SX MCE 011 NERO	SIDE PANEL LEFT MCE 011 BLACK	COTE GAUCHE MCE 011 NOIR	SEITE LINKE MCE 011 SCHWARZ	LATERALA STANGA MCE 011 NEGRU
2	73130602	FIANCO DX MCE 011 NERO	SIDE PANEL RIGHT MCE 011 BLACK	COTE DROIT MCE 011 NOIR	SEITE LECHT MCE 011 SCHWARZ	LATERALA DREAPTA MCE 011 NEGRU
3	78041006	STAFFA FERMA FIANCO SUP.MCE 011	UPPER LATERAL SUPPORT	SUPPORT LATERAL SUPERIEUR MCE 011	OBEREN SEITLICHEN HALT	SUPORT OPRIRE PARTEA SUP.MCE 011
4	77607063	FERMA FIANCO ANTERIORE	FRONT SIDE BRACKET	PLATINE AVANT COTE	BUEGEL SEITENBLLENDE	SUPORT LATERALA ANTERIOR
5	77607064	FERMA FIANCO POSTERIORE	BACK SIDE BRACKET	PLATINE POST. COTE	BUEGEL SEITENBLLENDE	SUPORT LATERALA POSTERIOR
6	77607100	PROFILO DX FIANCO MCE 011	SIDE RIGHT PROFIL MCE011	PROFIL LATERAL DROIT MCE 011	SEITENPROFIL LECHT MCE 011	PROFIL LATERAL DREAPTA
7	77607101	PROFILO SX FIANCO MCE 011	SIDE LEFT PROFIL MCE 011	PROFIL LATERAL GAUCHE MCE 011	SEITENPROFIL LINKE MCE011	PROFIL LATERAL STANGA
8	75287006	PANN.POST.INF.1GR MCE 011 NERO	BACK LOWER PANEL 1GR BLACK	PANNEAU POST INF.1GR NOIR	TAFEL HINTEN UNTERE 1GR SCHWARZ	PANOU POSTERIOR INFERIOR 1GR NEGRU
8	75287007	PANN.POST.INF.2GR MCE 011 NERO	BACK LOWER PANEL 2GR BLACK	PANNEAU POST INF.2GR NOIR	TAFEL HINTEN UNTERE 2GR SCHWARZ	PANOU POSTERIOR INFERIOR 2GR NEGRU
8	75287008	PANN.POST.INF.3GR MCE 011 NERO	BACK LOWER PANEL 3GR BLACK	PANNEAU POST INF.3GR 011 NOIR	TAFEL HINTEN UNTERE 3GR SCHWARZ	PANOU POSTERIOR INFERIOR 3GR NEGRU
9	75287021	PANN.POST.CENTR.1GR INOX/L	BACK CENTRAL PANEL 1GR STEEL	PANNEAU POST CENTR.1GR INOX	HINTEN MITTELTADEL 1GR STHAL	PANOU CENTRAL POSTERIOR 1GR INOX
9	75287022	PANN.POST.CENTR.2GR INOX/L	BACK CENTRAL PANEL 2GR STEEL	PANNEAU POST CENTR.2GR INOX	HINTEN MITTELTADEL 2GR STHAL	PANOU CENTRAL POSTERIOR 2GR INOX
9	75287023	PANN.POST.CENTR.3GR INOX/L	BACK CENTRAL PANEL 3GR STEEL	PANNEAU POST CENTR.3GR INOX	HINTEN MITTELTADEL 3GR STHAL	PANOU CENTRAL POSTERIOR 3GR INOX
10	77607102	SUPP.PANN.POST.SUP.1GR INOX/L	SUPPORT BACK UPPER PANEL 1GR STEEL	SUPPORT PANNEAU POST SUP.1GR INOX	TAFEL HINTEN OBER 1GR STHAL	SUPORT PANOU POST.SUP.1GR INOX
10	77607103	SUPP.PANN.POST.SUP.2GR INOX/L	SUPPORT BACK UPPER PANEL 2GR STEEL	SUPPORT PANNEAU POST SUP.2GR INOX	TAFEL HINTEN OBER 2GR STHAL	SUPORT PANOU POST.SUP.2GR INOX
10	77607104	SUPP.PANN.POST.SUP.3GR INOX/L	SUPPORT BACK UPPER PANEL 3GR STEEL	SUPPORT PANNEAU POST SUP.3GR INOX	TAFEL HINTEN OBER 3GR STHAL	SUPORT PANOU POST.SUP.3GR INOX
11	75287018	PANN.POST.SUP.1GR INOX/L	BACK UPPER PANEL 1GR STEEL	PANNEAU POST SUP.1GR INOX	HINTEN OBER 1GR STHAL	PANOU POST.SUP.1GR INOX
11	75287019	PANN.POST.SUP.2GR INOX/L	BACK UPPER PANEL 2GR STEEL	PANNEAU POST SUP.2GR INOX	HINTEN OBER 2GR STHAL	PANOU POST.SUP.2GR INOX
11	75287020	PANN.POST.SUP.3GR INOX/L	BACK UPPER PANEL 3GR STEEL	PANNEAU POST SUP.3GR INOX	HINTEN OBER 3GR STHAL	PANOU POST.SUP.3GR INOX
12	76100211	GRIGLIA SUP.1GR INOX/LUC	COVER GRILL UPPER 1GR INOX	GRILLE SUPERIEURE 1GR INOX	OBERGITTER 1GR ATAHL	GRILAJ SUP.1GR INOX
12	76100212	GRIGLIA SUP.2GR INOX/LUC	COVER GRILL UPPER 2GR INOX	GRILLE SUPERIEURE 2GR INOX	OBERGITTER 2GR ATAHL	GRILAJ SUP.2GR INOX
12	76100213	GRIGLIA SUP.3GR INOX/LUC	COVER GRILL UPPER 3GR INOX	GRILLE SUPERIEURE 3GR INOX	OBERGITTER 3GR ATAHL	GRILAJ SUP.3GR INOX
13	83150026R	KIT MANOPOLA VAPORE FORMA	KIT STEAM TAP KNOB FOR FORMA	KIT POIGNEE VAP FORMA	KIT HANDGRIFF DAMPFFORMA	KIT MANOPOLA VAPOR FORMA
14	18371058	PULS.UNIP.N.A.SIBILLA	SINGLE POLE PUSHBUTTON	AUTOCOL.POIGNEE NOIR ROB.VAP/H2O	EINPOLIGER TASTER	TASTA UNIPOLARA SIBILLA
15	77044117	COPRICALDAIA ER/1 INOX/LUC	S.STEEL BOILER COVER 1GR	COUVRE-CHAUDIERE INOX 1GR	KESSELDECKEL 1GR STAHL	PROTECTIE CAZ.ER/1 INOX/LUC
15	77044118	COPRICALDAIA ER/2 INOX/LUC	S.STEEL BOILER COVER 2GR	COUVRE-CHAUDIERE INOX 2GR	KESSELDECKEL 2GR STAHL	PROTECTIE CAZ.ER/2 INOX/LUC
15	77044119	COPRICALDAIA ER/3 INOX/LUC	S.STEEL BOILER COVER 3GR	COUVRE-CHAUDIERE INOX 3GR	KESSELDECKEL 3GR STAHL	PROTECTIE CAZ.ER/3 INOX/LUC
15	77044120	COPRICALDAIA ER/1+DISPLAY INOX/LUC	S.STEEL BOILER COVER 1GR+DISPLAY	COUVRE-CHAUDIERE INOX 1GR+DISPLAY	KESSELDECKEL 1GR+DISPLAY STAHL	PROTECTIE CAZ.ER/1+DISPLAY INOX/LUC
15	77044121	COPRICALDAIA ER/2+DISPLAY INOX/LUC	S.STEEL BOILER COVER 2GR+DISPLAY	COUVRE-CHAUDIERE INOX 2GR+DISPLAY	KESSELDECKEL 2GR+DISPLAY STAHL	PROTECTIE CAZ.ER/2+DISPLAY INOX/LUC
15	77044122	COPRICALDAIA ER/3+DISPLAY INOX/LUC	S.STEEL BOILER COVER 3GR+DISPLAY	COUVRE-CHAUDIERE INOX 3GR+DISPLAY	KESSELDECKEL 3GR+DISPLAY STAHL	PROTECTIE CAZ. ER/3+DISPLAY INOX/LUC
16	21202	SEGNALIVELLO OVE TUV INCOLORE WEGA	COLORLESS LEVEL INDICATOR OVE-TUV	SIGNAL NIVEAU OVE-TUV	FARBLOSER NIVEAUANZEIGER OVE-TUV	INDICATOR NIVEL OVE-TUV INCOLOR
17	77308049	PROT.SUP.GRUPPO INOX/L	SUPERIOR PROTECTION GROUP INOX/L	PROTECTION GROUPE SUPERIEURE INOX/L	HERVORRANGENDEN SCHUTZ GR.INOX/L	PROTECTIE SUPERIOARA GRUP INOX/L
18	77308048	PROT.INF.GRUPPO INOX/L	LOWER PROTECTION GROUP INOX	PROTECTION GROUPE INF.INOX	UNTEREN SCHUTZGRUPPE INOX	PROTECTIE INF.GRUP INOX/L
19	15486002	TAPPO FORO INTERRUETTORE	SWITCH HOLE PLUG	CAPUCHON TROU INTERRUPT.	ABDECKUNG SCHALTERLOCH	CAPAC DIN PLASTIC PT.INTRERUPATOR
20	23420	VITE TE OTTONE M6x12 NICHELATA	M6x12NICKEL-PLATED BRASS HEX.HEAD SCREW	VIS TH LAITON M6x12 NICHELEE	SECHSKANTSCHRAUBE AUS MESSING M6x12	SURUB DIN ALAMA M6x12 NICHELAT
21	77607020	SUPPORTO DESTRO-SINISTRO FIANCO	RIGHT-LEFT SUPPORT	SUPPORT DROIT-GAUCHE	RECHTS/LINKS HALTER	SUPORT LATERALA DREAPTA-STANGA



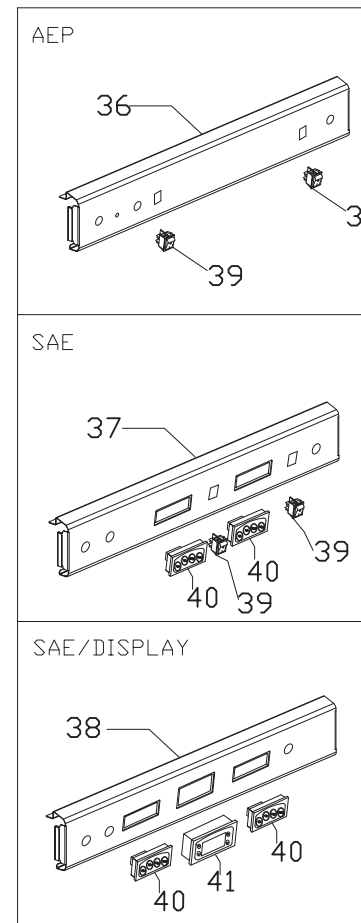
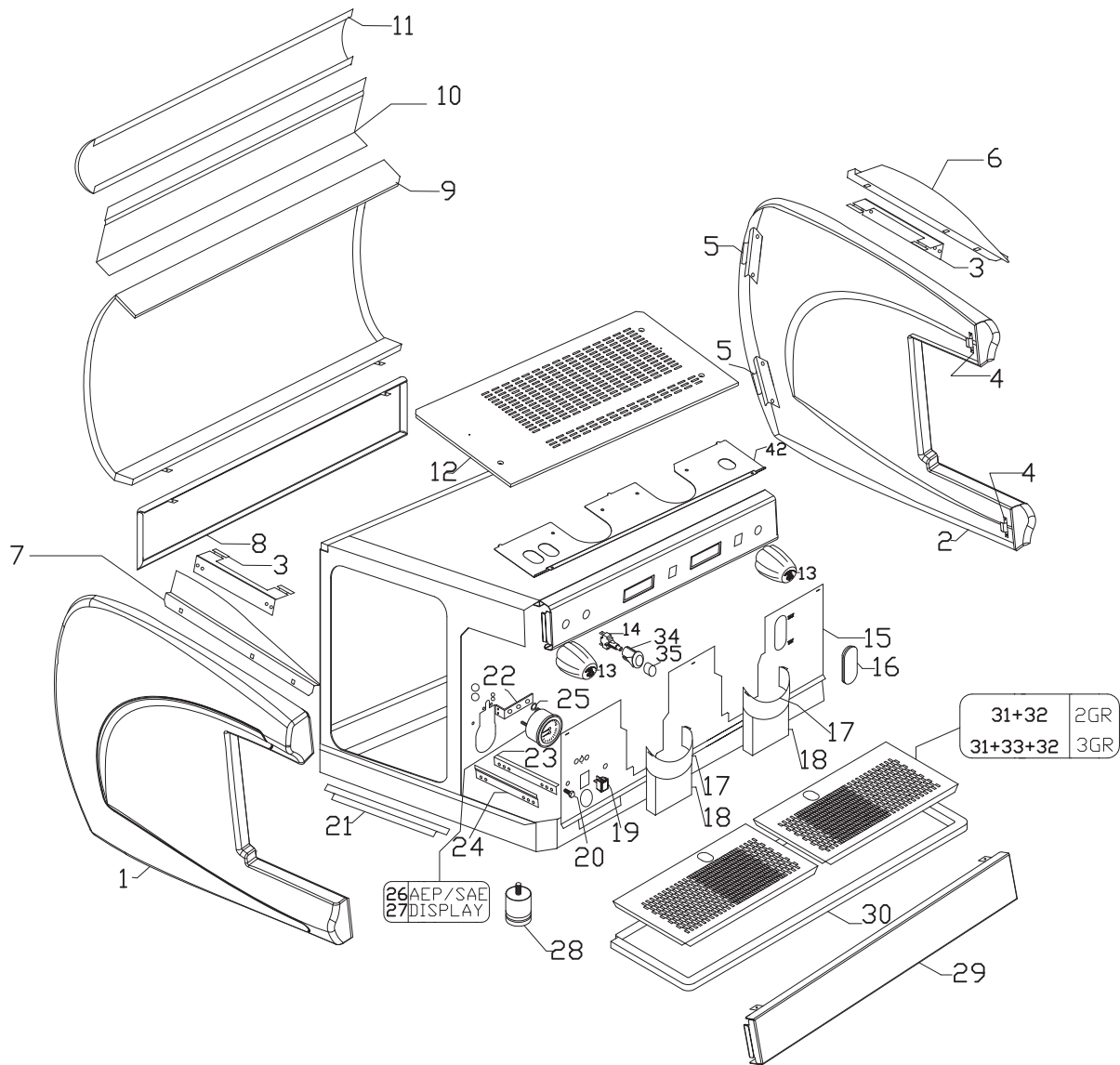
Pos	Cod.	Denominazione - IT -	Denomination - GB -	Denomination - FR -	Denomination - DE -	Denumire - RO -
22	78150072	SUPPORTO MANOMETRO 1>3GR	GAUGE SUPPORT 1>3GR	SUPPORT MANOMETRE 1>3GR	MANOMETERHALTER 1>3GR	SUPORT MANOMETRU 1>3GR
23	77741	GUIDA DX-SX BACINELLAXTELAI	R-L BASIN GUIDE FOR FRAMES	GUIDE DX-SX CUVE x CHASSIS	FÜHRUNG R-L SCHALE FÜR RAH	GHIDAJ DR-ST PT.TAVA DE SCURGERE
24	77742005	DISTANZIALE GUIDA BACINELLA	SPACER GLOSSY	ENTRETOISE CUVE	DISTANZSTUCK	DIST.PT.GHIDAJ PT.TAVA DE SCURGERE
25	12155001	GUARNIZIONE CU 8.5x3.3x1	COPPER GASKET 8.5X3.3X1	JOINT CU 8.5X3.3X1	CU DICHTUNG 8.5x3.3x1	GARN.DIN CU 8.5x3.3x1
26	21112	MANOMETRO TONDO DOPPIA SCALA	PRESSURE GAUGE	MANOMETRE	MANOMETER	MANOMETRU
27	21114	MANOMETRO TONDO 16Bar	ROUND PRESSURE GAUGE 16ATM	MANOMETRE ROND 16 Atm	MANOMETER 16 Atm	MANOMETRU 16 BAR
28	15318	PIEDINO REGOL.INOX/SAT H55/69	ADJUSTABLE FOOT H55/69	PIED REGLABLE H55/69	REGELBARER FUSS H55/69	PICIOARE REGLABILE INOX/SAT H55/69
29	77487451	PROF.BAS.ANT.1GR NERO	PROF.BAS.ANT 1GR BLACK	PROF.BAS.ANT 1GR NOIR	BASISPRPOF.VORDER 1GR SCHWARZ	PROF.BAZ.ANT.1GR NEGRU
29	77487452	PROF.BAS.ANT.2GR NERO	PROF.BAS.ANT 2GR BLACK	PROF.BAS.ANT 2GR NOIR	BASISPRPOF.VORDER 2GR SCHWARZ	PROF.BAZ.ANT.2GR NEGRU
29	77487453	PROF.BAS.ANT.3GR NERO	PROF.BAS.ANT 3GR BLACK	PROF.BAS.ANT 3GR NOIR	BASISPRPOF.VORDER 3GR SCHWARZ	PROF.BAZ.ANT.3GR NEGRU
30	76095	BACINELLA 1GR INOX LUCIDO	1GR GLOSSY STAINLESS STEEL TRAY	BASSINELLE 1GR INOX BRILLANT	STAHLSCHALE 1GR	TAVA DE SCURGERE DIN INOX/L 1GR
30	76096	BACINELLA 2GR INOX LUCIDO	2GR GLOSSY STAINLESS STEEL TRAY	BASSINELLE 2GR INOX BRILLANT	STAHLSCHALE 2GR	TAVA DE SCURGERE DIN INOX/L 2GR
30	76097	BACINELLA 3GR INOX LUCIDO	3GR GLOSSY STAINLESS STEEL TRAY	BASSINELLE 3GR INOX BRILLANT	STAHLSCHALE 3GR	TAVA DE SCURGERE DIN INOX/L 3GR
31	76153000	GRIGLIA INF.INOX LUC.456x201	LOWER GRILL 456x201 SHINY S.STEEL	GRILLE INF.INOX 456x201	STAHL-UNTERGITTER 456x201	GRILAJ INF.DIN INOX 456x201.
32	76154000	GRIGLIA INF.DX INOX LUC.338.5x201	RIGHT LOWER GRILL -SHINY S.STEEL	GRILLE INF.DROIT INOX 338,5x201	STAHL-UNTER-RECHTEGITTER 338,5x201	GRILAJ INF.DR.DIN INOX 338.5x201
33	76155000	GRIGLIA INF.SINISTRA INOX LUC.338.5x201	LEFT LOWER GRILL - SHINY S.STEEL	GRILLE INF.GAUCHE INOX 338,5x201	STAHL-UNTER-LINKEGITTER 338,5x201	GRILAJ INF.ST.DIN INOX 338.5x201
34	76156000	GRIGLIA INF.INOX LUC. 253x201	LOWER GRILL 253x201 - SHINY S.STEEL	GRILLE INF.INOX 253x201	STAHL-UNTERGITTER 253x201	GRILAJ INF.INOX 253x201
35	15373058	SUPPORTO TASTO CROMATO SIBILLA	KEY SUPPORT CHROMED SIBILLA	SUPPORT TOUCHE CHROMEE SIBILLA	TASTEHALTER CHROM SIBILLA	SUPORT TASTE SIBILLA
36	15373057	TASTO PULSANTIERE CROMATO SIBILLA	CHROMED KEY SIBILLA	TOUCHE CHROMEE SIBILLA	CHROM TASTE SIBILLA	BUTON SIBILLA
37	70848890	FRONTONE AEP/1 MCE 011 INOX	AEP FRONT/1 MCE 011 STEEL/LUC	ELEM.FRONT AEP/1 MCE 011 INOX	FRONT.AEP/1 MCE 011 STAHL	FRONT.AEP/1 MCE 011 INOX
37	70848891	FRONTONE AEP/2 MCE 011 INOX	AEP FRONT/2 MCE 011 STEEL/LUC	ELEM.FRONT AEP/2 MCE 011 INOX	FRONT.AEP/2 MCE 011 STAHL	FRONT.AEP/2 MCE 011 INOX
37	70848892	FRONTONE AEP/3 MCE 011 INOX	AEP FRONT/3 MCE 011 STEEL/LUC	ELEM.FRONT AEP/3 MCE 011 INOX	FRONT.AEP/3 MCE 011 STAHL	FRONT.AEP/3 MCE 011 INOX
38	70848893	FRONTONE SAE/1 MCE 011 INOX	SAE FRONT/1 MCE 011 STEEL/LUC	ELEM.FRONT SAE/1 MCE 011 INOX	FRONT.SAE/1 MCE 011 STAHL	FRONT.SAE/1 MCE 011 INOX
38	70848894	FRONTONE SAE/2 MCE 011 INOX	SAE FRONT/2 MCE 011 STEEL/LUC	ELEM.FRONT SAE/2 MCE 011 INOX	FRONT.SAE/2 MCE 011 STAHL	FRONT.SAE/2 MCE 011 INOX
38	70848895	FRONTONE SAE/3 MCE 011 INOX	SAE FRONT/3 MCE 011 STEEL/LUC	ELEM.FRONT SAE/3 MCE 011 INOX	FRONT.SAE/3 MCE 011 STAHL	FRONT.SAE/3 MCE 011 INOX
39	70848896	FRONTONE SAE/1+DISPLAY MCE 011 INOX	SAE FRONT/1+DISPLAY MCE 011 STEEL/LUC	ELEM.FRONT SAE/1+DISPLAY MCE 011 INOX	FRONT.SAE/1+DISPLAY MCE 011 STAHL	FRONT.SAE/1+DISPLAY MCE 011 INOX
39	70848897	FRONTONE SAE/2+DISPLAY MCE 011 INOX	SAE FRONT/2+DISPLAY MCE 011 STEEL/LUC	ELEM.FRONT SAE/2+DISPLAY MCE 011 INOX	FRONT.SAE/2+DISPLAY MCE 011 STAHL	FRONT.SAE/2+DISPLAY MCE 011 INOX
39	70848898	FRONTONE SAE/3+DISPLAY MCE 011 INOX	SAE FRONT/3+DISPLAY MCE 011 STEEL/LUC	ELEM.FRONT SAE/3+DISPLAY MCE 011 INOX	FRONT.SAE/3+DISPLAY MCE 011 STAHL	FRONT.SAE/3+DISPLAY MCE 011 INOX
40	18262	INT.BIP.LUM.BIANCO B418C1L110000	WHITE LIGHT BIPOLAR SWITCH B418C1L110000	INT.BIP.LUMINEUX BLANC B418C1L110000	WEIßES LICHT BIPOLAREN SCHALTE	INTR.BIPOLAR LUMINOS ALBB418C1L110000
41	18359101	PULSANT.CAPACIT.4T x TC BIANCO	CAPACITIVE TOUCH PAD 4TxTC WHITE	CLAVIER CAPACITIF 4TxTC BLANC	KAPAZITIVEN TASTATUR 4TxTC WEIß	TASTATURA CAPACITIVA 4TxTC ALBA
42	18088013	MODULO DISPLAY BIANCO x TC	DISPLAY xTC WHITE	DISPLAY xTC BLANC	DISPLAY xTC WEIß	DISPLAY xTC ALB
43	77308045	COPRIMPIANTO 1GR MCE 011	CABLE - COVER 1GR MCE 011	COUVRE - CABLAGE 1GR MCE 011	VERDAHTUNHDECKEL 1GR MCE011	PROT.INST.1GR MCE 011
43	77308046	COPRIMPIANTO 2GR MCE 011	CABLE - COVER 2GR MCE 011	COUVRE - CABLAGE 2GR MCE 011	VERDAHTUNHDECKEL 2GR MCE011	PROT.INST.2GR MCE 011
43	77308047	COPRIMPIANTO 3GR MCE 011	CABLE - COVER 3GR MCE 011	COUVRE - CABLAGE 3GR MCE 011	VERDAHTUNHDECKEL 2GR MCE011	PROT.INST.3GR MCE 011



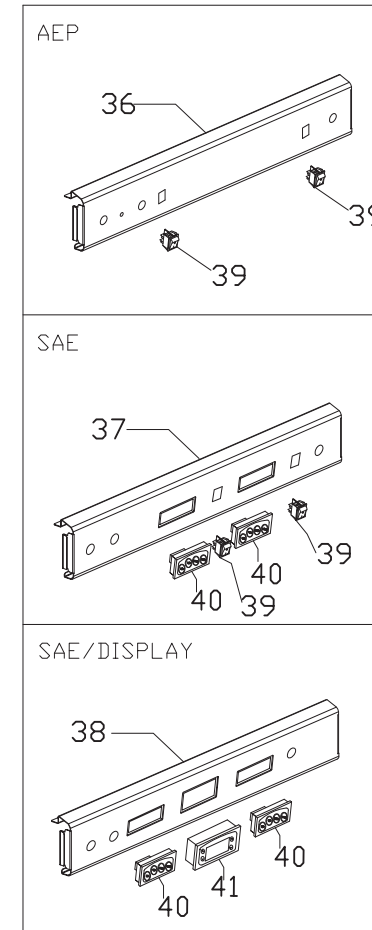
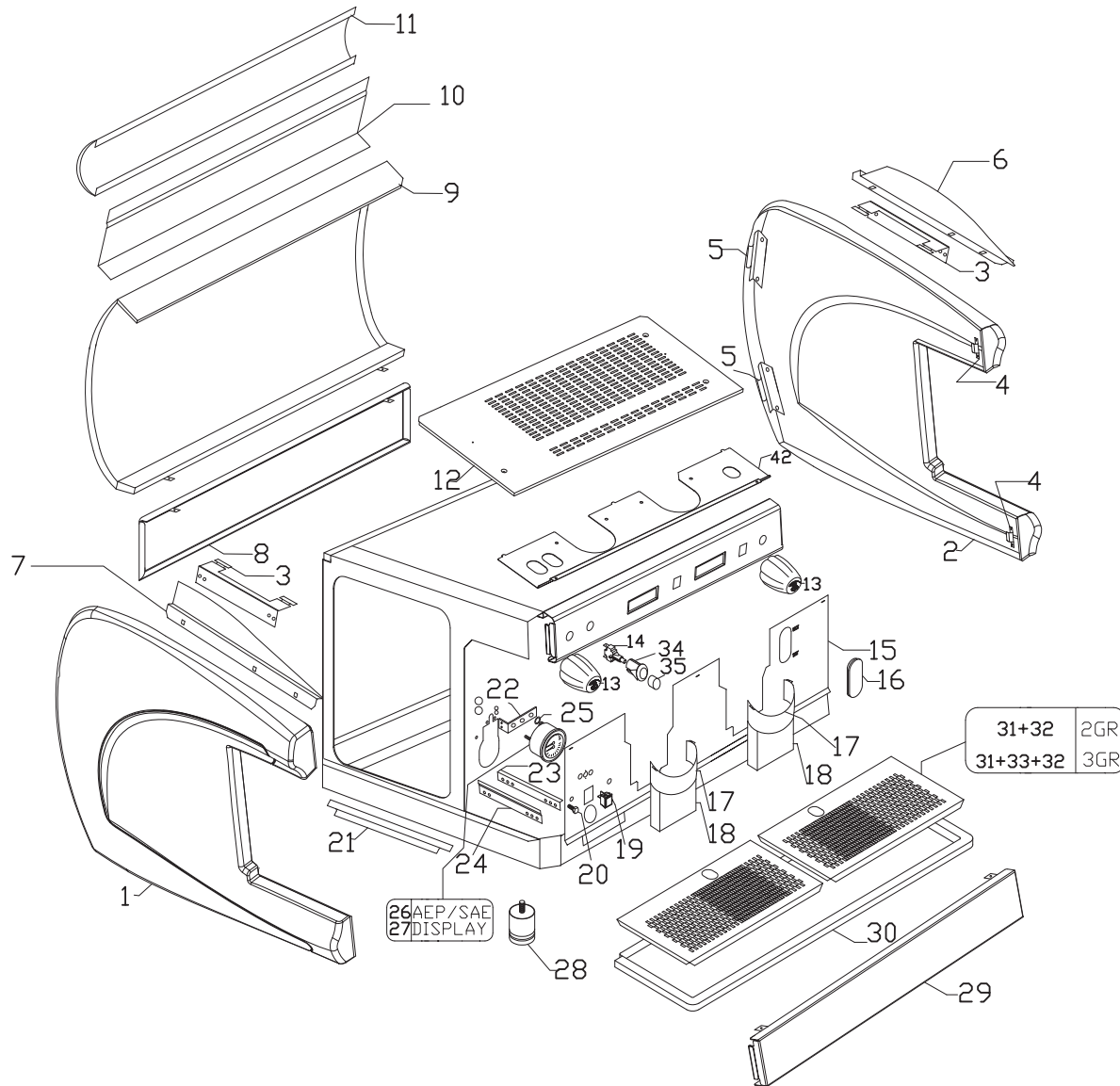
Pos	Cod.	Denominazione - IT -	Denomination - GB -	Denomination - FR -	Denomination - DE -	Denumire - RO -
1	73130601	FIANCO SX MCE 011 BIANCO	SIDE PANEL LEFT MCE 011 WHITE	COTE GAUCHE MCE 011 BLANC	SEITE LINKE MCE 011 WEIß	LATERALA STANGA MCE 011 ALBA
2	73130600	FIANCO DX MCE 011 BIANCO	SIDE PANEL RIGHT MCE 011 WHITE	COTE DROIT MCE 011 BLANC	SEITE LECHT MCE 011 WEIß	LATERALA DREAPTA MCE 011 ALBA
3	78041006	STAFFA FERMA FIANCO SUP.MCE 011	UPPER LATERAL SUPPORT	SUPPORT LATERAL SUPERIEUR MCE 011	OBEREN SEITLICHEN HALT	SUPPORT OPRIRE PARTEA SUP.MCE 011
4	77607063	FERMA FIANCO ANTERIORE	FRONT SIDE BRACKET	PLATINE AVANT COTE	BUEGEL SEITENBLLENDE	SUPPORT LATERALA ANTERIOR
5	77607064	FERMA FIANCO POSTERIORE	BACK SIDE BRACKET	PLATINE POST. COTE	BUEGEL SEITENBLLENDE	SUPPORT LATERALA POSTERIOR
6	77607100	PROFILO DX FIANCO MCE 011	SIDE RIGHT PROFIL MCE011	PROFIL LATERAL DROIT MCE 011	SEITENPROFIL LECHT MCE 011	PROFIL LATERAL DREAPTA
7	77607101	PROFILO SX FIANCO MCE 011	SIDE LEFT PROFIL MCE 011	PROFIL LATERAL GAUCHE MCE 011	SEITENPROFIL LINKE MCE011	PROFIL LATERAL STANGA
8	75287015	PANN.POST.INF.1GR MCE 011 BIANCO	BACK LOWER PANEL 1GR WHITE	PANNEAU POST INF.1GR BLANC	TAFEL HINTEN UNTERE 1GR WEIß	PANOU POSTERIOR INFERIOR 1GR ALB
8	75287016	PANN.POST.INF.2GR MCE 011 BIANCO	BACK LOWER PANEL 2GR WHITE	PANNEAU POST INF.2GR BLANC	TAFEL HINTEN UNTERE 2GR WEIß	PANOU POSTERIOR INFERIOR 2GR ALB
8	75287017	PANN.POST.INF.3GR MCE 011 BIANCO	BACK LOWER PANEL 3GR WHITE	PANNEAU POST INF.3GR 011 BLANC	TAFEL HINTEN UNTERE 3GR WEIß	PANOU POSTERIOR INFERIOR 3GR ALB
9	75287021	PANN.POST.CENTR.1GR INOX/L	BACK CENTRAL PANEL 1GR STEEL	PANNEAU POST CENTR.1GR INOX	HINTEN MITTELTADEL 1GR STHAL	PANOU CENTRAL POSTERIOR 1GR INOX
9	75287022	PANN.POST.CENTR.2GR INOX/L	BACK CENTRAL PANEL 2GR STEEL	PANNEAU POST CENTR.2GR INOX	HINTEN MITTELTADEL 2GR STHAL	PANOU CENTRAL POSTERIOR 2GR INOX
9	75287023	PANN.POST.CENTR.3GR INOX/L	BACK CENTRAL PANEL 3GR STEEL	PANNEAU POST CENTR.3GR INOX	HINTEN MITTELTADEL 3GR STHAL	PANOU CENTRAL POSTERIOR 3GR INOX
10	77607102	SUPP.PANN.POST.SUP.1GR INOX/L	SUPPORT BACK UPPER PANEL 1GR STEEL	SUPPORT PANNEAU POST SUP.1GR INOX	TAFEL HINTEN OBER 1GR STHAL	SUPPORT PANOU POST.SUP.1GR INOX
10	77607103	SUPP.PANN.POST.SUP.2GR INOX/L	SUPPORT BACK UPPER PANEL 2GR STEEL	SUPPORT PANNEAU POST SUP.2GR INOX	TAFEL HINTEN OBER 2GR STHAL	SUPPORT PANOU POST.SUP.2GR INOX
10	77607104	SUPP.PANN.POST.SUP.3GR INOX/L	SUPPORT BACK UPPER PANEL 3GR STEEL	SUPPORT PANNEAU POST SUP.3GR INOX	TAFEL HINTEN OBER 3GR STHAL	SUPPORT PANOU POST.SUP.3GR INOX
11	75287018	PANN.POST.SUP.1GR INOX/L	BACK UPPER PANEL 1GR STEEL	PANNEAU POST SUP.1GR INOX	HINTEN OBER 1GR STHAL	PANOU POST.SUP.1GR INOX
11	75287019	PANN.POST.SUP.2GR INOX/L	BACK UPPER PANEL 2GR STEEL	PANNEAU POST SUP.2GR INOX	HINTEN OBER 2GR STHAL	PANOU POST.SUP.2GR INOX
11	75287020	PANN.POST.SUP.3GR INOX/L	BACK UPPER PANEL 3GR STEEL	PANNEAU POST SUP.3GR INOX	HINTEN OBER 3GR STHAL	PANOU POST.SUP.3GR INOX
12	76100211	GRIGLIA SUP.1GR INOX/LUC	COVER GRILL UPPER 1GR INOX	GRILLE SUPERIEURE 1GR INOX	OBERGITTER 1GR ATAHL	GRILAJ SUP.1GR INOX
12	76100212	GRIGLIA SUP.2GR INOX/LUC	COVER GRILL UPPER 2GR INOX	GRILLE SUPERIEURE 2GR INOX	OBERGITTER 2GR ATAHL	GRILAJ SUP.2GR INOX
12	76100213	GRIGLIA SUP.3GR INOX/LUC	COVER GRILL UPPER 3GR INOX	GRILLE SUPERIEURE 3GR INOX	OBERGITTER 3GR ATAHL	GRILAJ SUP.3GR INOX
13	83150026R	KIT MANOPOLA VAPORE FORMA	KIT STEAM TAP KNOB FOR FORMA	KIT POIGNEE VAP FORMA	KIT HANDGRIFF DAMPPFORMA	KIT MANOPOLA VAPOR FORMA
14	18371058	PULS.UNIP.N.A.SIBILLA	SINGLE POLE PUSHBUTTON	AUTOCOL.POIGNEE NOIR ROB.VAP/H2O	EINPOLIGER TASTER	TASTA UNIPOLARA SIBILLA
15	77044117	COPRICALDAIA ER/1 INOX/LUC	S.STEEL BOILER COVER 1GR	COUVRE-CHAUDIERE INOX 1GR	KESSELDECKEL 1GR STAHL	PROTECTIE CAZ.ER/1 INOX/LUC
15	77044118	COPRICALDAIA ER/2 INOX/LUC	S.STEEL BOILER COVER 2GR	COUVRE-CHAUDIERE INOX 2GR	KESSELDECKEL 2GR STAHL	PROTECTIE CAZ.ER/2 INOX/LUC
15	77044119	COPRICALDAIA ER/3 INOX/LUC	S.STEEL BOILER COVER 3GR	COUVRE-CHAUDIERE INOX 3GR	KESSELDECKEL 3GR STAHL	PROTECTIE CAZ.ER/3 INOX/LUC
15	77044120	COPRICALDAIA ER/1+DISPLAY INOX/LUC	S.STEEL BOILER COVER 1GR+DISPLAY	COUVRE-CHAUDIERE INOX 1GR+DISPLAY	KESSELDECKEL 1GR+DISPLAY STAHL	PROTECTIE CAZ.ER/1+DISPLAY INOX/LUC
15	77044121	COPRICALDAIA ER/2+DISPLAY INOX/LUC	S.STEEL BOILER COVER 2GR+DISPLAY	COUVRE-CHAUDIERE INOX 2GR+DISPLAY	KESSELDECKEL 2GR+DISPLAY STAHL	PROTECTIE CAZ.ER/2+DISPLAY INOX/LUC
15	77044122	COPRICALDAIA ER/3+DISPLAY INOX/LUC	S.STEEL BOILER COVER 3GR+DISPLAY	COUVRE-CHAUDIERE INOX 3GR+DISPLAY	KESSELDECKEL 3GR+DISPLAY STAHL	PROTECTIE CAZ. ER/3+DISPLAY INOX/LUC
16	21202	SEGNALIVELLO OVE TUV INCOLORE WEGA	COLORLESS LEVEL INDICATOR OVE-TUV	SIGNAL NIVEAU OVE-TUV	FARBLOSER NIVEAUNZEIGER OVE-TUV	INDICATOR NIVEL OVE-TUV INCOLOR
17	77308049	PROT.SUP.GRUPPO INOX/L	SUPERIOR PROTECTION GROUP INOX/L	PROTECTION GROUPE SUPERIEURE INOX/L	HERVORRANGENDEN SCHUTZ GR.INOX/L	PROTECTIE SUPERIOARA GRUP INOX/L
18	77308048	PROT.INF.GRUPPO INOX/L	LOWER PROTECTION GROUP INOX	PROTECTION GROUPE INF.INOX	UNTEREN SCHUTZGRUPPE INOX	PROTECTIE INF.GRUP INOX/L
19	15486002	TAPPO FORO INTERRUPTORE	SWITCH HOLE PLUG	CAPUCHON TROU INTERRUPT.	ABDECKUNG SCHALTERLOCH	CAPAC DIN PLASTIC PT.INTRERUPATOR
20	23420	VITE TE OTTONE M6x12 NICHELATA	M6x12NICKEL-PLATED BRASS HEX.HEAD SCREW	VIS TH LAITON M6x12 NICKELEE	SECHSKANTSCHRAUBE AUS MESSING M6x12	SURUB DIN ALAMA M6x12 NICHELAT
21	77607020	SUPPORTO DESTRO-SINISTRO FIANCO	RIGHT-LEFT SUPPORT	SUPPORT DROIT-GAUCHE	RECHTS/LINKS HALTER	SUPPORT LATERALA DREAPTA-STANGA



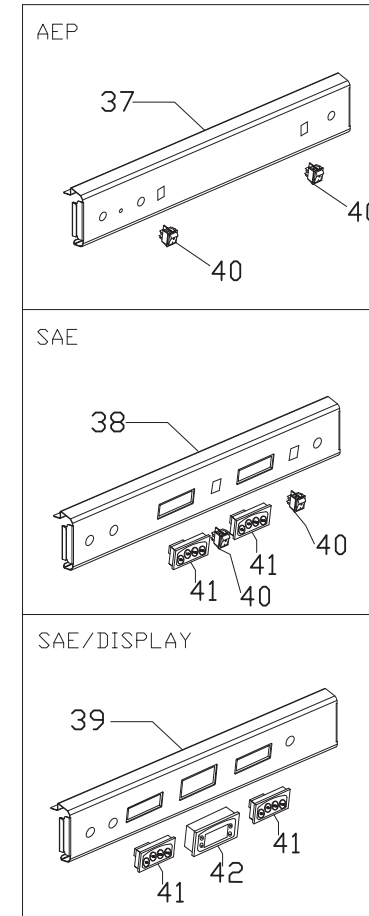
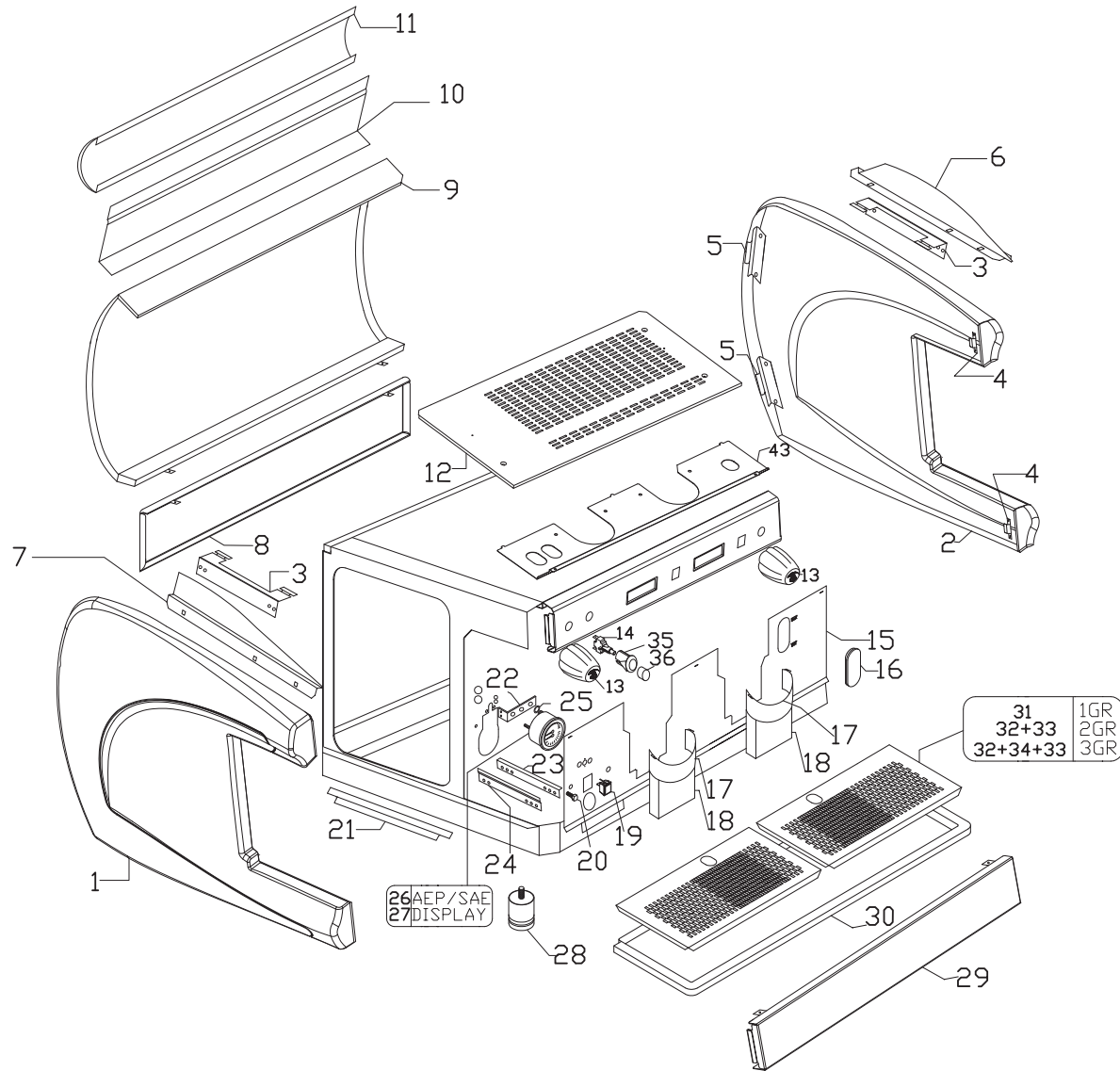
Pos	Cod.	Denominazione - IT -	Denomination - GB -	Denomination - FR -	Denomination - DE -	Denumire - RO -
22	78150072	SUPPORTO MANOMETRO 1>3GR	GAUGE SUPPORT 1>3GR	SUPPORT MANOMETRE 1>3GR	MANOMETERHALTER 1>3GR	SUPTOR MANOMETRU 1>3GR
23	77741	GUIDA DX-SX BACINELLAxTELA	R-L BASIN GUIDE FOR FRAMES	GUIDE DX-SX CUVE x CHASSIS	FÜHRUNG R-L SCHALE FÜR RAH	GHIDAJ DR-ST PT.TAVA DE SCURGERE
24	77742005	DISTANZIALE GUIDA BACINELLA	SPACER GLOSSY	ENTRETOISE CUVE	DISTANZSTUCK	DIST.PT.GHIDAJ PT.TAVA DE SCURGERE
25	12155001	GUARNIZIONE CU 8.5x3.3x1	COPPER GASKET 8.5X3.3X1	JOINT CU 8.5X3.3X1	CU DICHTUNG 8.5x3.3x1	GARN.DIN CU 8.5x3.3x1
26	21112	MANOMETRO TONDO DOPPIA SCALA	PRESSURE GAUGE	MANOMETRE	MANOMETER	MANOMETRU
27	21114	MANOMETRO TONDO 16Bar	ROUND PRESSURE GAUGE 16ATM	MANOMETRE ROND 16 Atm	MANOMETER 16 Atm	MANOMETRU 16 BAR
28	15318	PIEDINO REGOL. INOX/SAT H55/69	ADJUSTABLE FOOT H55/69	PIED REGLABLE H55/69	REGELBARER FUSS H55/69	PICIOARE REGLABILE INOX/SAT H55/69
29	77487454	PROF.BAS.ANT.1GR BIANCO	PROF.BAS.ANT 1GR WHITE	PROF.BAS.ANT 1GR BLANC	BASISPRPOF.VORDER 1GR WEIß	PROF.BAZ.ANT.1GR ALB
29	77487455	PROF.BAS.ANT.2GR BIANCO	PROF.BAS.ANT 2GR WHITE	PROF.BAS.ANT 2GR BLANC	BASISPRPOF.VORDER 2GR WEIß	PROF.BAZ.ANT.2GR ALB
29	77487456	PROF.BAS.ANT.3GR BIANCO	PROF.BAS.ANT 3GR WHITE	PROF.BAS.ANT 3GR BLANC	BASISPRPOF.VORDER 3GR WEIß	PROF.BAZ.ANT.3GR ALB
30	76095	BACINELLA 1GR INOX LUCIDO	1GR GLOSSY STAINLESS STEEL TRAY	BASSINELLE 1GR INOX BRILLANT	STAHLSCHALE 1GR	TAVA DE SCURGERE DIN INOX/L 1GR
30	76096	BACINELLA 2GR INOX LUCIDO	2GR GLOSSY STAINLESS STEEL TRAY	BASSINELLE 2GR INOX BRILLANT	STAHLSCHALE 2GR	TAVA DE SCURGERE DIN INOX/L 2GR
30	76097	BACINELLA 3GR INOX LUCIDO	3GR GLOSSY STAINLESS STEEL TRAY	BASSINELLE 3GR INOX BRILLANT	STAHLSCHALE 3GR	TAVA DE SCURGERE DIN INOX/L 3GR
31	76153000	GRIGLIA INF. INOX LUC.456x201	LOWER GRILL 456x201 SHINY S.STEEL	GRILLE INF. INOX 456x201	STAHL-UNTERGITTER 456x201	GRILAJ INF.DIN INOX 456x201.
32	76154000	GRIGLIA INF.DX INOX LUC.338.5x201	RIGHT LOWER GRILL -SHINY S.STEEL	GRILLE INF.DROIT INOX 338,5x201	STAHL-UNTER-RECHTEGITTER 338,5x201	GRILAJ INF.DR.DIN INOX 338.5x201
33	76155000	GRIGLIA INF.SINISTRA INOX LUC.338.5x201	LEFT LOWER GRILL - SHINY S.STEEL	GRILLE INF.GAUCHE INOX 338,5x201	STAHL-UNTER-LINKEGITTER 338,5x201	GRILAJ INF.ST.DIN INOX 338.5x201
34	76156000	GRIGLIA INF. INOX LUC. 253x201	LOWER GRILL 253x201 - SHINY S.STEEL	GRILLE INF. INOX 253x201	STAHL-UNTERGITTER 253x201	GRILAJ INF. INOX 253x201
35	15373058	SUPPORTO TASTO CROMATO SIBILLA	KEY SUPPORT CHROMED SIBILLA	SUPPORT TOUCHE CHROMEE SIBILLA	TASTEHALTER CHROM SIBILLA	SUPTOR TASTE SIBILLA
36	15373057	TASTO PULSANTIERE CROMATO SIBILLA	CHROMED KEY SIBILLA	TOUCHE CHROMEE SIBILLA	CHROM TASTE SIBILLA	BUTON SIBILLA
37	70848890	FRONTONE AEP/1 MCE 011 INOX	AEP FRONT/1 MCE 011 STEEL/LUC	ELEM.FRONT AEP/1 MCE 011 INOX	FRONT.AEP/1 MCE 011 STAHL	FRONT.AEP/1 MCE 011 INOX
37	70848891	FRONTONE AEP/2 MCE 011 INOX	AEP FRONT/2 MCE 011 STEEL/LUC	ELEM.FRONT AEP/2 MCE 011 INOX	FRONT.AEP/2 MCE 011 STAHL	FRONT.AEP/2 MCE 011 INOX
37	70848892	FRONTONE AEP/3 MCE 011 INOX	AEP FRONT/3 MCE 011 STEEL/LUC	ELEM.FRONT AEP/3 MCE 011 INOX	FRONT.AEP/3 MCE 011 STAHL	FRONT.AEP/3 MCE 011 INOX
38	70848893	FRONTONE SAE/1 MCE 011 INOX	SAE FRONT/1 MCE 011 STEEL/LUC	ELEM.FRONT SAE/1 MCE 011 INOX	FRONT.SAE/1 MCE 011 STAHL	FRONT.SAE/1 MCE 011 INOX
38	70848894	FRONTONE SAE/2 MCE 011 INOX	SAE FRONT/2 MCE 011 STEEL/LUC	ELEM.FRONT SAE/2 MCE 011 INOX	FRONT.SAE/2 MCE 011 STAHL	FRONT.SAE/2 MCE 011 INOX
38	70848895	FRONTONE SAE/3 MCE 011 INOX	SAE FRONT/3 MCE 011 STEEL/LUC	ELEM.FRONT SAE/3 MCE 011 INOX	FRONT.SAE/3 MCE 011 STAHL	FRONT.SAE/3 MCE 011 INOX
39	70848896	FRONTONE SAE/1+DISPLAY MCE 011 INOX	SAE FRONT/1+DISPLAY MCE 011 STEEL/LUC	ELEM.FRONT SAE/1+DISPLAY MCE 011 INOX	FRONT.SAE/1+DISPLAY MCE 011 STAHL	FRONT.SAE/1+DISPLAY MCE 011 INOX
39	70848897	FRONTONE SAE/2+DISPLAY MCE 011 INOX	SAE FRONT/2+DISPLAY MCE 011 STEEL/LUC	ELEM.FRONT SAE/2+DISPLAY MCE 011 INOX	FRONT.SAE/2+DISPLAY MCE 011 STAHL	FRONT.SAE/2+DISPLAY MCE 011 INOX
39	70848898	FRONTONE SAE/3+DISPLAY MCE 011 INOX	SAE FRONT/3+DISPLAY MCE 011 STEEL/LUC	ELEM.FRONT SAE/3+DISPLAY MCE 011 INOX	FRONT.SAE/3+DISPLAY MCE 011 STAHL	FRONT.SAE/3+DISPLAY MCE 011 INOX
40	18262	INT.BIP.LUM.BIANCO B418C1L110000	WHITE LIGHT BIPOLAR SWITCH B418C1L110000	INT.BIP.LUMINEUX BLANC B418C1L110000	WEIßES LICHT BIPOLAREN SCHALTE	INTR.BIPOLAR LUMINOS ALBB418C1L110000
41	18359101	PULSANT.CAPACIT.4T x TC BIANCO	CAPACITIVE TOUCH PAD 4TxTC WHITE	CLAVIER CAPACITIF 4TxTC BLANC	KAPAZITIVEN TASTATUR 4TxTC WEIß	TASTATURA CAPACITIVA 4TxTC ALBA
42	18088013	MODULO DISPLAY BIANCO x TC	DISPLAY xTC WHITE	DISPLAY xTC BLANC	DISPLAY xTC WEIß	DISPLAY xTC ALB
43	77308045	COPRIMPIANTO 1GR MCE 011	CABLE - COVER 1GR MCE 011	COUVRE - CABLAGE 1GR MCE 011	VERDAHTUNHDECKEL 1GR MCE011	PROT.INST.1GR MCE 011
43	77308046	COPRIMPIANTO 2GR MCE 011	CABLE - COVER 2GR MCE 011	COUVRE - CABLAGE 2GR MCE 011	VERDAHTUNHDECKEL 2GR MCE011	PROT.INST.2GR MCE 011
43	77308047	COPRIMPIANTO 3GR MCE 011	CABLE - COVER 3GR MCE 011	COUVRE - CABLAGE 3GR MCE 011	VERDAHTUNHDECKEL 2GR MCE011	PROT.INST.3GR MCE 011



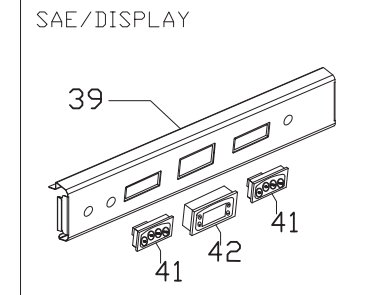
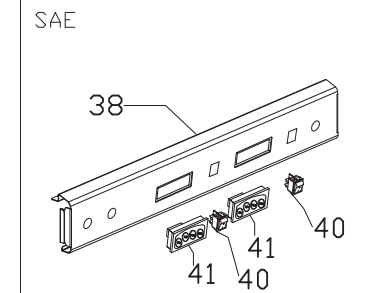
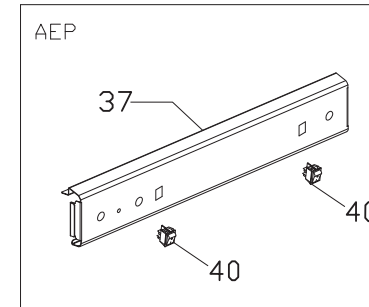
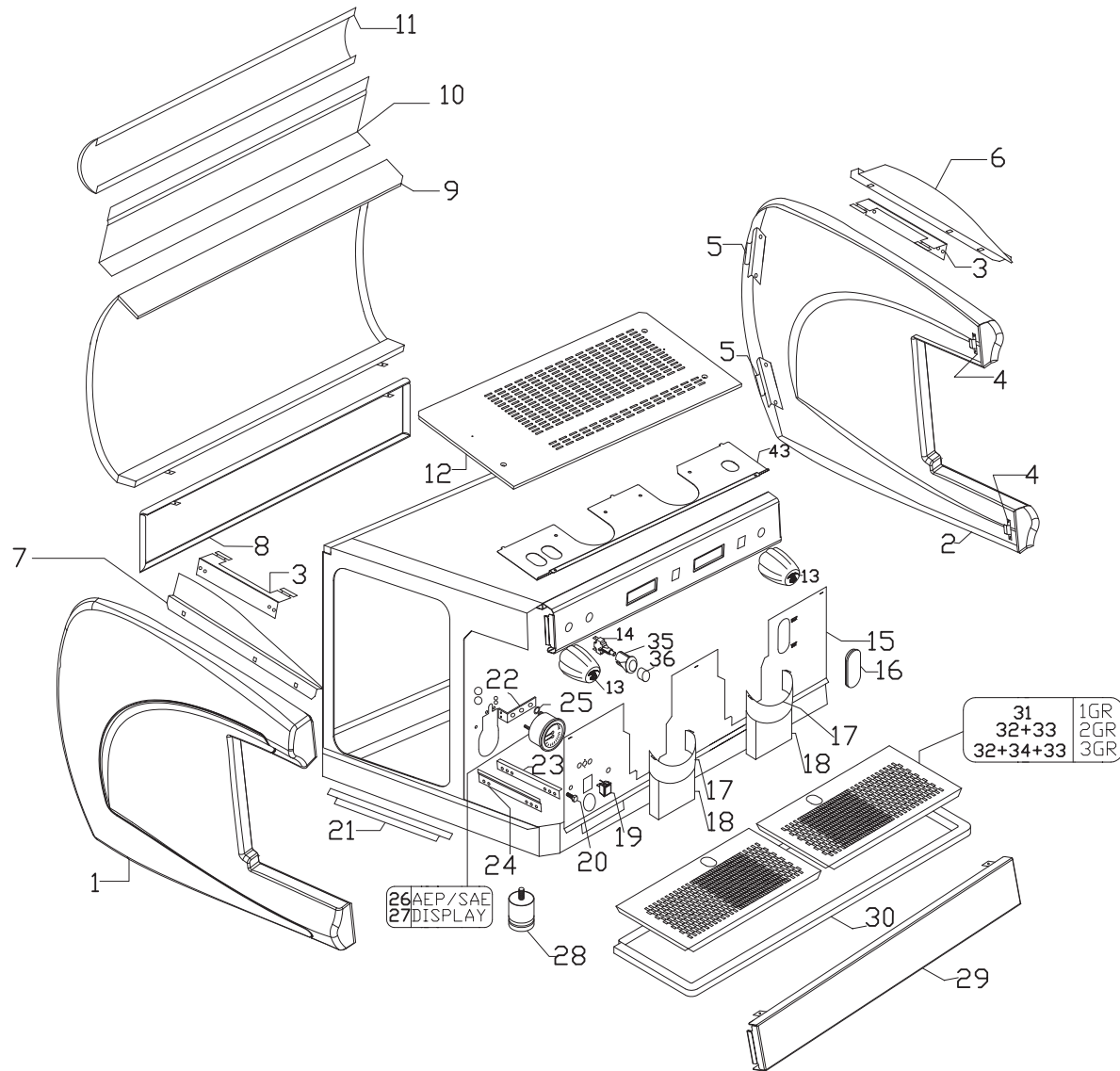
Pos	Cod.	Denominazione - IT -	Denomination - GB -	Denomination - FR -	Denomination - DE -	Denumire - RO -
1	73130605	FIANCO SX MCE 011 ROSSO	SIDE PANEL LEFT MCE 011 RED	COTE GAUCHE MCE 011 ROUGE	SEITE LINKE MCE 011 ROT	LATERALA STANGA MCE 011 ROSU
2	73130604	FIANCO DX MCE 011 ROSSO	SIDE PANEL RIGHT MCE 011 RED	COTE DROIT MCE 011 ROUGE	SEITE LECHT MCE 011 ROT	LATERALA DREAPTA MCE 011 ROSU
3	78041006	STAFFA FERMA FIANCO SUP.MCE 011	UPPER LATERAL SUPPORT	SUPPORT LATERAL SUPERIEUR MCE 011	OBEREN SEITLICHEN HALT	SUPORT OPRIRE PARTEA SUP.MCE 011
4	77607063	FERMA FIANCO ANTERIORE	FRONT SIDE BRACKET	PLATINE AVANT COTE	BUEGEL SEITENBLLENDE	SUPORT LATERALA ANTERIOR
5	77607064	FERMA FIANCO POSTERIORE	BACK SIDE BRACKET	PLATINE POST. COTE	BUEGEL SEITENBLLENDE	SUPORT LATERALA POSTERIOR
6	77607100	PROFILO DX FIANCO MCE 011	SIDE RIGHT PROFIL MCE011	PROFIL LATERAL DROIT MCE 011	SEITENPROFIL LECHT MCE 011	PROFIL LATERAL DREAPTA
7	77607101	PROFILO SX FIANCO MCE 011	SIDE LEFT PROFIL MCE 011	PROFIL LATERAL GAUCHE MCE 011	SEITENPROFIL LINKE MCE011	PROFIL LATERAL STANGA
8	75287025	PANN.POST.INF.2GR MCE 011 ROSSO	BACK LOWER PANEL 2GR RED	PANNEAU POST INF.2GR ROUGE	TAFEL HINTEN UNTERE 2GR ROT	PANOU POSTERIOR INFERIOR 2GR ROSU
8	75287026	PANN.POST.INF.3GR MCE 011 ROSSO	BACK LOWER PANEL 3GR RED	PANNEAU POST INF.3GR ROUGE	TAFEL HINTEN UNTERE 3GR ROT	PANOU POSTERIOR INFERIOR 3GR ROSU
9	75287022	PANN.POST.CENTR.2GR INOX/L	BACK CENTRAL PANEL 2GR STEEL	PANNEAU POST CENTR.2GR INOX	HINTEN MITTELTADEL 2GR STHAL	PANOU CENTRAL POSTERIOR 2GR INOX
9	75287023	PANN.POST.CENTR.3GR INOX/L	BACK CENTRAL PANEL 3GR STEEL	PANNEAU POST CENTR.3GR INOX	HINTEN MITTELTADEL 3GR STHAL	PANOU CENTRAL POSTERIOR 3GR INOX
10	77607103	SUPP.PANN.POST.SUP.2GR INOX/L	SUPPORT BACK UPPER PANEL 2GR STEEL	SUPPORT PANNEAU POST SUP.2GR INOX	TAFEL HINTEN OBER 2GR STHAL	SUPORT PANOU POST.SUP.2GR INOX
10	77607104	SUPP.PANN.POST.SUP.3GR INOX/L	SUPPORT BACK UPPER PANEL 3GR STEEL	SUPPORT PANNEAU POST SUP.3GR INOX	TAFEL HINTEN OBER 3GR STHAL	SUPORT PANOU POST.SUP.3GR INOX
11	75287019	PANN.POST.SUP.2GR INOX/L	BACK UPPER PANEL 2GR STEEL	PANNEAU POST SUP.2GR INOX	HINTEN OBER 2GR STHAL	PANOU POST.SUP.2GR INOX
11	75287020	PANN.POST.SUP.3GR INOX/L	BACK UPPER PANEL 3GR STEEL	PANNEAU POST SUP.3GR INOX	HINTEN OBER 3GR STHAL	PANOU POST.SUP.3GR INOX
12	76100212	GRIGLIA SUP.2GR INOX/LUC	COVER GRILL UPPER 2GR INOX	GRILLE SUPERIEURE 2GR INOX	OBERGITTER 2GR ATAHL	GRILAJ SUP.2GR INOX
12	76100213	GRIGLIA SUP.3GR INOX/LUC	COVER GRILL UPPER 3GR INOX	GRILLE SUPERIEURE 3GR INOX	OBERGITTER 3GR ATAHL	GRILAJ SUP.3GR INOX
13	83150026R	KIT MANOPOLA VAPORE FORMA	KIT STEAM TAP KNOB FOR FORMA	KIT POIGNEE VAP FORMA	KIT HANDGRIFF DAMPFFORMA	KIT MANOPOLA VAPOR FORMA
14	18371058	PULS.UNIP.N.A.SIBILLA	SINGLE POLE PUSHBUTTON	AUTOCOL.POIGNEE NOIR ROB.VAP/H2O	EINPOLIGER TASTER	TASTA UNIPOLARA SIBILLA
15	77044118	COPRICALDAIA ER/2 INOX/LUC	S.STEEL BOILER COVER 2GR	COUVRE-CHAUDIERE INOX 2GR	KESSELDECKEL 2GR STAHL	PROTECTIE CAZ.ER/2 INOX/LUC
15	77044119	COPRICALDAIA ER/3 INOX/LUC	S.STEEL BOILER COVER 3GR	COUVRE-CHAUDIERE INOX 3GR	KESSELDECKEL 3GR STAHL	PROTECTIE CAZ.ER/3 INOX/LUC
15	77044121	COPRICALDAIA ER/2+DISPLAY INOX/LUC	S.STEEL BOILER COVER 2GR+DISPLAY	COUVRE-CHAUDIERE INOX 2GR+DISPLAY	KESSELDECKEL 2GR+DISPLAY STAHL	PROTECTIE CAZ.ER/2+DISPLAY INOX/LUC
15	77044122	COPRICALDAIA ER/3+DISPLAY INOX/LUC	S.STEEL BOILER COVER 3GR+DISPLAY	COUVRE-CHAUDIERE INOX 3GR+DISPLAY	KESSELDECKEL 3GR+DISPLAY STAHL	PROTECTIE CAZ. ER/3+DISPLAY INOX/LUC
16	21202	SEGNALIVELLO OVE TUV INCOLORE WEGA	COLORLESS LEVEL INDICATOR OVE-TUV	SIGNAL NIVEAU OVE-TUV	FARBLOSER NIVEAUNZEIGER OVE-TUV	INDICATOR NIVEL OVE-TUV INCOLOR
17	77308049	PROT.SUP.GRUPPO INOX/L	SUPERIOR PROTECTION GROUP INOX/L	PROTECTION GROUPE SUPERIEURE INOX/L	HERVORRANGENDEN SCHUTZ GR.INOX/L	PROTECTIE SUPERIOARA GRUP INOX/L
18	77308048	PROT.INF.GRUPPO INOX/L	LOWER PROTECTION GROUP INOX	PROTECTION GROUPE INF.INOX	UNTEREN SCHUTZGRUPPE INOX	PROTECTIE INF.GRUP INOX/L
19	15486002	TAPPO FORO INTERRUTTORE	SWITCH HOLE PLUG	CAPUCHON TROU INTERRUP.	ABDECKUNG SCHALTERLOCH	CAPAC DIN PLASTIC PT.INTRRUPATOR
20	23420	VITE TE OTTONE M6x12 NICHELATA	M6x12NICKEL-PLATED BRASS HEX.HEAD SCREW	VIS TH LAITON M6x12 NICHELEE	SECHSKANTSCHRAUBE AUS MESSING M6x12	SURUB DIN ALAMA M6x12 NICHELAT
21	77607020	SUPPORTO DESTRO-SINISTRO FIANCO	RIGHT-LEFT SUPPORT	SUPPORT DROIT-GAUCHE	RECHTS/LINKS HALTER	SUPORT LATERALA DREAPTA-STANGA
22	78150072	SUPPORTO MANOMETRO 1>3GR	GAUGE SUPPORT 1>3GR	SUPPORT MANOMETRE 1>3GR	MANOMETERHALTER 1>3GR	SUPORT MANOMETRU 1>3GR
23	77741	GUIDA DX-SX BACINELLAxTELAI	R-L BASIN GUIDE FOR FRAMES	GUIDE DX-SX CUVE x CHASSIS	FÜHRUNG R-L SCHALE FÜR RAH	GHIDAJ DR-ST PT.TAVA DE SCURGERE
24	77742005	DISTANZIALE GUIDA BACINELLA	SPACER GLOSSY	ENTRETOISE CUVE	DISTANZSTUCK	DIST.PT.GHIDAJ PT.TAVA DE SCURGERE
25	12155001	GUARNIZIONE CU 8.5x3.3x1	COPPER GASKET 8.5X3.3X1	JOINT CU 8.5X3.3X1	CU DICHTUNG 8.5x3.3x1	GARN.DIN CU 8.5x3.3x1
26	21112	MANOMETRO TONDO DOPPIA SCALA	PRESSURE GAUGE	MANOMETRE	MANOMETER	MANOMETRU
27	21114	MANOMETRO TONDO 16Bar	ROUND PRESSURE GAUGE 16ATM	MANOMETRE ROND 16 Atm	MANOMETER 16 Atm	MANOMETRU 16 BAR
28	15318	PIEDINO REGOL.INOX/SAT H55/69	ADJUSTABLE FOOT H55/69	PIED REGLABLE H55/69	REGELBARER FUSS H55/69	PICIOARE REGLABILE INOX/SAT H55/69



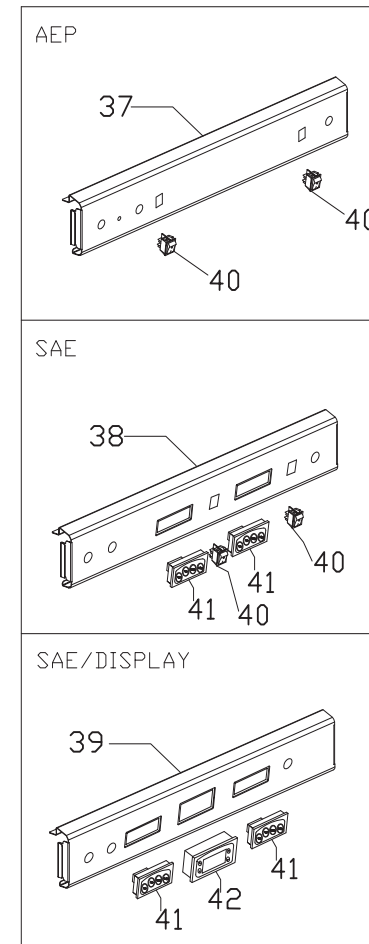
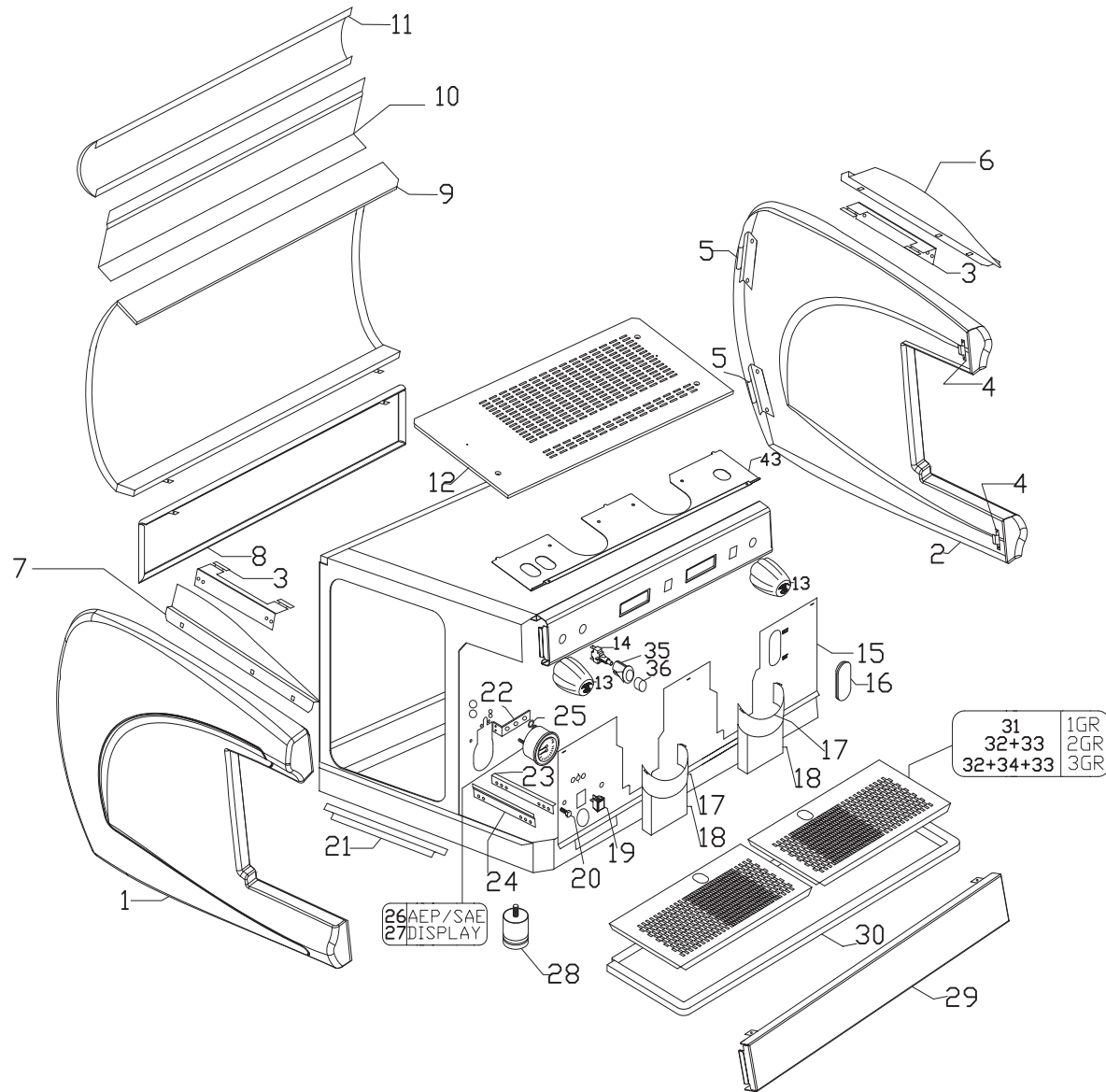
Pos	Cod.	Denominazione - IT -	Denomination - GB -	Denomination - FR -	Denomination - DE -	Denumire - RO -
29	77487458	PROF.BAS.ANT.2GR ROSSO	PROF.BAS.ANT 2GR RED	PROF.BAS.ANT 2GR ROUGE	BASISPRPOF.VORDER 2GR ROT	PROF.BAZ.ANT.2GR ROSU
29	77487459	PROF.BAS.ANT.3GR ROSSO	PROF.BAS.ANT 3GR RED	PROF.BAS.ANT 3GR ROUGE	BASISPRPOF.VORDER 3GR ROT	PROF.BAZ.ANT.3GR ROSU
30	76096	BACINELLA 2GR INOX LUCIDO	2GR GLOSSY STAINLESS STEEL TRAY	BASSINELLE 2GR INOX BRILLANT	STAHLSCHALE 2GR	TAVA DE SCURGERE DIN INOX/L 2GR
30	76097	BACINELLA 3GR INOX LUCIDO	3GR GLOSSY STAINLESS STEEL TRAY	BASSINELLE 3GR INOX BRILLANT	STAHLSCHALE 3GR	TAVA DE SCURGERE DIN INOX/L 3GR
31	76154000	GRIGLIA INF.DX INOX LUC.338.5x201	RIGHT LOWER GRILL -SHINY S.STEEL	GRILLE INF.DROIT INOX 338.5x201	STAHL-UNTER-RECHTEGITTER 338,5x201	GRILAJ INF.DR.DIN INOX 338.5x201
32	76155000	GRIGLIA INF.SINISTRA INOX LUC.338.5x201	LEFT LOWER GRILL - SHINY S.STEEL	GRILLE INF.GAUCHE INOX 338,5x201	STAHL-UNTER-LINKEGITTER 338,5x201	GRILAJ INF.ST.DIN INOX 338.5x201
33	76156000	GRIGLIA INF.INOX LUC. 253x201	LOWER GRILL 253x201 - SHINY S.STEEL	GRILLE INF.INOX 253x201	STAHL-UNTERGITTER 253x201	GRILAJ INF.INOX 253x201
34	15373058	SUPPORTO TASTO CROMATO SIBILLA	KEY SUPPORT CHROMED SIBILLA	SUPPORT TOUCHE CHROMEE SIBILLA	TASTEHALTER CHROM SIBILLA	SUPORT TASTE SIBILLA
35	15373057	TASTO PULSANIERE CROMATO SIBILLA	CHROMED KEY SIBILLA	TOUCHE CHROMEE SIBILLA	CHROM TASTE SIBILLA	BUTON SIBILLA
36	70848891	FRONTONE AEP/2 MCE 011 INOX	AEP FRONT/2 MCE 011 STEEL/LUC	ELEM.FRONT AEP/2 MCE 011 INOX	FRONT.AEP/2 MCE 011 STAHL	FRONT.AEP/2 MCE 011 INOX
36	70848892	FRONTONE AEP/3 MCE 011 INOX	AEP FRONT/3 MCE 011 STEEL/LUC	ELEM.FRONT AEP/3 MCE 011 INOX	FRONT.AEP/3 MCE 011 STAHL	FRONT.AEP/3 MCE 011 INOX
37	70848894	FRONTONE SAE/2 MCE 011 INOX	SAE FRONT/2 MCE 011 STEEL/LUC	ELEM.FRONT SAE/2 MCE 011 INOX	FRONT.SAE/2 MCE 011 STAHL	FRONT.SAE/2 MCE 011 INOX
37	70848895	FRONTONE SAE/3 MCE 011 INOX	SAE FRONT/3 MCE 011 STEEL/LUC	ELEM.FRONT SAE/3 MCE 011 INOX	FRONT.SAE/3 MCE 011 STAHL	FRONT.SAE/3 MCE 011 INOX
38	70848897	FRONTONE SAE/2+DISPLAY MCE 011 INOX	SAE FRONT/2+DISPLAY MCE 011 STEEL/LUC	ELEM.FRONT SAE/2+DISPLAY MCE 011 INOX	FRONT.SAE/2+DISPLAY MCE 011 STAHL	FRONT.SAE/2+DISPLAY MCE 011 INOX
38	70848898	FRONTONE SAE/3+DISPLAY MCE 011 INOX	SAE FRONT/3+DISPLAY MCE 011 STEEL/LUC	ELEM.FRONT SAE/3+DISPLAY MCE 011 INOX	FRONT.SAE/3+DISPLAY MCE 011 STAHL	FRONT.SAE/3+DISPLAY MCE 011 INOX
39	18262	INT.BIP.LUM.BIANCO B418C1L110000	WHITE LIGHT BIPOLAR SWITCH B418C1L110000	INT.BIP.LUMINEUX BLANC B418C1L110000	WEIßES LICHT BIPOLAREN SCHALTE	INTR.BIPOLAR LUMINOS ALBB418C1L110000
40	18359101	PULSANT.CAPACIT.4T x TC BIANCO	CAPACITIVE TOUCH PAD 4TxTC WHITE	CLAVIER CAPACITIF 4TxTC BLANC	KAPAZITIVEN TASTATUR 4TxTC WEIß	TASTATURA CAPACITIVA 4TxTC ALBA
41	18088013	MODULO DISPLAY BIANCO x TC	DISPLAY xTC WHITE	DISPLAY xTC BLANC	DISPLAY xTC WEIß	DISPLAY xTC ALB
42	77308046	COPRIMPIANTO 2GR MCE 011	CABLE - COVER 2GR MCE 011	COUVRE - CABLAGE 2GR MCE 011	VERDAHTUNHDECKEL 2GR MCE011	PROT.INST.2GR MCE 011
42	77308047	COPRIMPIANTO 3GR MCE 011	CABLE - COVER 3GR MCE 011	COUVRE - CABLAGE 3GR MCE 011	VERDAHTUNHDECKEL 2GR MCE011	PROT.INST.3GR MCE 011



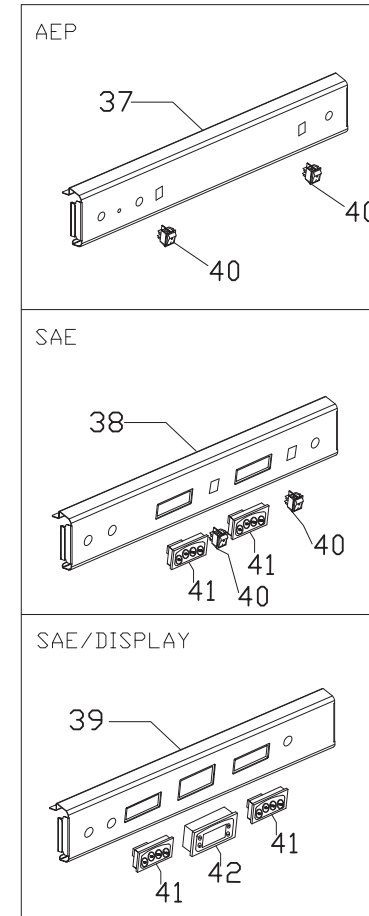
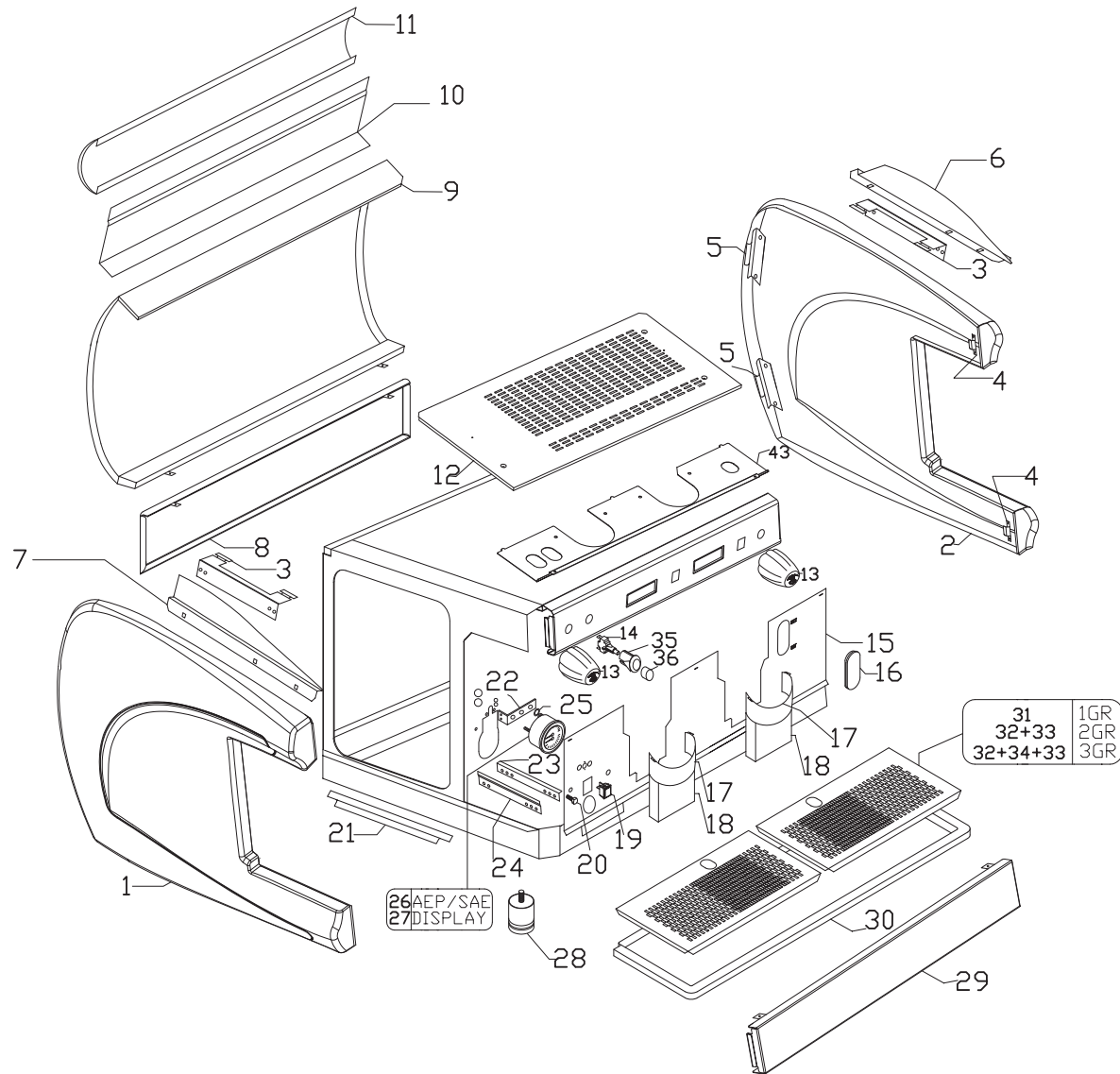
Pos	Cod.	Denominazione - IT -	Denomination - GB -	Denomination - FR -	Denomination - DE -	Denumire - RO -
1	73130601	FIANCO SX MCE 011 BIANCO	SIDE PANEL LEFT MCE 011 WHITE	COTE GAUCHE MCE 011 BLANC	SEITE LINKE MCE 011 WEIß	LATERALA STANGA MCE 011 ALBA
2	73130600	FIANCO DX MCE 011 BIANCO	SIDE PANEL RIGHT MCE 011 WHITE	COTE DROIT MCE 011 BLANC	SEITE LECHT MCE 011 WEIß	LATERALA DREAPTA MCE 011 ALBA
3	78041006	STAFFA FERMA FIANCO SUP.MCE 011	UPPER LATERAL SUPPORT	SUPPORT LATERAL SUPERIEUR MCE 011	OBEREN SEITLICHEN HALT	SUPORT OPRIRE PARTEA SUP.MCE 011
4	77607063	FERMA FIANCO ANTERIORE	FRONT SIDE BRACKET	PLATINE AVANT COTE	BUEGEL SEITENBLLENDE	SUPORT LATERALA ANTERIOR
5	77607064	FERMA FIANCO POSTERIORE	BACK SIDE BRACKET	PLATINE POST. COTE	BUEGEL SEITENBLLENDE	SUPORT LATERALA POSTERIOR
6	77607100	PROFILO DX FIANCO MCE 011	SIDE RIGHT PROFIL MCE011	PROFIL LATERAL DROIT MCE 011	SEITENPROFIL LECHT MCE 011	PROFIL LATERAL DREAPTA
7	77607101	PROFILO SX FIANCO MCE 011	SIDE LEFT PROFIL MCE 011	PROFIL LATERAL GAUCHE MCE 011	SEITENPROFIL LINKE MCE011	PROFIL LATERAL STANGA
8	75287015	PANN.POST.INF.1GR MCE 011 BIANCO	BACK LOWER PANEL 1GR WHITE	PANNEAU POST INF.1GR BLANC	TAFEL HINTEN UNTERE 1GR WEIß	PANOU POSTERIOR INFERIOR 1GR ALB
8	75287016	PANN.POST.INF.2GR MCE 011 BIANCO	BACK LOWER PANEL 2GR WHITE	PANNEAU POST INF.2GR BLANC	TAFEL HINTEN UNTERE 2GR WEIß	PANOU POSTERIOR INFERIOR 2GR ALB
8	75287017	PANN.POST.INF.3GR MCE 011 BIANCO	BACK LOWER PANEL 3GR WHITE	PANNEAU POST INF.3GR 011 BLANC	TAFEL HINTEN UNTERE 3GR WEIß	PANOU POSTERIOR INFERIOR 3GR ALB
9	75287012	PANN.POST.CENTR.1GR BIANCO	BACK CENTRAL PANEL 1GR WHITE	PANNEAU POST CENTR.1GR BLANC	HINTEN MITTELTADEL 1GR WEIß	PANOU CENTRAL POSTERIOR 1GR ALB
9	75287013	PANN.POST.CENTR.2GR BIANCO	BACK CENTRAL PANEL 2GR WHITE	PANNEAU POST CENTR.2GR BLANC	HINTEN MITTELTADEL 2GR WEIß	PANOU CENTRAL POSTERIOR 2GR ALB
9	75287014	PANN.POST.CENTR.3GR BIANCO	BACK CENTRAL PANEL 3GR WHITE	PANNEAU POST CENTR.3GR BLANC	HINTEN MITTELTADEL 3GR WEIß	PANOU CENTRAL POSTERIOR 3GR ALB
10	77607102	SUPP.PANN.POST.SUP.1GR INOX/L	SUPPORT BACK UPPER PANEL 1GR STEEL	SUPPORT PANNEAU POST SUP.1GR INOX	TAFEL HINTEN OBER 1GR STHAL	SUPORT PANOU POST.SUP.1GR INOX
10	77607103	SUPP.PANN.POST.SUP.2GR INOX/L	SUPPORT BACK UPPER PANEL 2GR STEEL	SUPPORT PANNEAU POST SUP.2GR INOX	TAFEL HINTEN OBER 2GR STHAL	SUPORT PANOU POST.SUP.2GR INOX
10	77607104	SUPP.PANN.POST.SUP.3GR INOX/L	SUPPORT BACK UPPER PANEL 3GR STEEL	SUPPORT PANNEAU POST SUP.3GR INOX	TAFEL HINTEN OBER 3GR STHAL	SUPORT PANOU POST.SUP.3GR INOX
11	75287009	PANN.POST.SUP.1GR BIANCO	BACK UPPER PANEL 1GR WHITE	PANNEAU POST SUP.1GR BLANC	HINTEN OBER 1GR WEIß	PANOU POST.SUP.1GR ALB
11	75287010	PANN.POST.SUP.2GR BIANCO	BACK UPPER PANEL 2GR WHITE	PANNEAU POST SUP.2GR BLANC	HINTEN OBER 2GR WEIß	PANOU POST.SUP.2GR ALB
11	75287011	PANN.POST.SUP.3GR BIANCO	BACK UPPER PANEL 3GR WHITE	PANNEAU POST SUP.3GR BLANC	HINTEN OBER 3GR WEIß	PANOU POST.SUP.3GR ALB
12	76100211	GRIGLIA SUP.1GR INOX/LUC	COVER GRILL UPPER 1GR INOX	GRILLE SUPERIEURE 1GR INOX	OBERGITTER 1GR ATAHL	GRILAJ SUP.1GR INOX
12	76100212	GRIGLIA SUP.2GR INOX/LUC	COVER GRILL UPPER 2GR INOX	GRILLE SUPERIEURE 2GR INOX	OBERGITTER 2GR ATAHL	GRILAJ SUP.2GR INOX
12	76100213	GRIGLIA SUP.3GR INOX/LUC	COVER GRILL UPPER 3GR INOX	GRILLE SUPERIEURE 3GR INOX	OBERGITTER 3GR ATAHL	GRILAJ SUP.3GR INOX
13	83150026R	KIT MANOPOLA VAPORE FORMA	KIT STEAM TAP KNOB FOR FORMA	KIT POIGNEE VAP FORMA	KIT HANDGRIFF DAMPFFORMA	KIT MANOPOLA VAPOR FORMA
14	18371058	PULS.UNIP.N.A.SIBILLA	SINGLE POLE PUSHBUTTON	AUTOCOL.POIGNEE NOIR ROB.VAP/H2O	EINPOLIGER TASTER	TASTA UNIPOLARA SIBILLA
15	77044117	COPRICALDAIA ER/1 INOX/LUC	S.STEEL BOILER COVER 1GR	COUVRE-CHAUDIERE INOX 1GR	KESSELDECKEL 1GR STAHL	PROTECTIE CAZ.ER/1 INOX/LUC
15	77044118	COPRICALDAIA ER/2 INOX/LUC	S.STEEL BOILER COVER 2GR	COUVRE-CHAUDIERE INOX 2GR	KESSELDECKEL 2GR STAHL	PROTECTIE CAZ.ER/2 INOX/LUC
15	77044119	COPRICALDAIA ER/3 INOX/LUC	S.STEEL BOILER COVER 3GR	COUVRE-CHAUDIERE INOX 3GR	KESSELDECKEL 3GR STAHL	PROTECTIE CAZ.ER/3 INOX/LUC
15	77044120	COPRICALDAIA ER/1+DISPLAY INOX/LUC	S.STEEL BOILER COVER 1GR+DISPLAY	COUVRE-CHAUDIERE INOX 1GR+DISPLAY	KESSELDECKEL 1GR+DISPLAY STAHL	PROTECTIE CAZ.ER/1+DISPLAY INOX/LUC
15	77044121	COPRICALDAIA ER/2+DISPLAY INOX/LUC	S.STEEL BOILER COVER 2GR+DISPLAY	COUVRE-CHAUDIERE INOX 2GR+DISPLAY	KESSELDECKEL 2GR+DISPLAY STAHL	PROTECTIE CAZ.ER/2+DISPLAY INOX/LUC
15	77044122	COPRICALDAIA ER/3+DISPLAY INOX/LUC	S.STEEL BOILER COVER 3GR+DISPLAY	COUVRE-CHAUDIERE INOX 3GR+DISPLAY	KESSELDECKEL 3GR+DISPLAY STAHL	PROTECTIE CAZ. ER/3+DISPLAY INOX/LUC
16	21202	SEGNALIVELLO OVE TUV INCOLORE WEGA	COLORLESS LEVEL INDICATOR OVE-TUV	SIGNAL NIVEAU OVE-TUV	FARBLOSER NIVEAUNZEIGER OVE-TUV	INDICATOR NIVEL OVE-TUV INCOLOR
17	77308049	PROT.SUP.GRUPPO INOX/L	SUPERIOR PROTECTION GROUP INOX/L	PROTECTION GROUPE SUPERIEURE INOX/L	HERVORRANGENDEN SCHUTZ GR.INOX/L	PROTECTIE SUPERIOARA GRUP INOX/L
18	77308048	PROT.INF.GRUPPO INOX/L	LOWER PROTECTION GROUP INOX	PROTECTION GROUPE INF.INOX	UNTEREN SCHUTZGRUPPE INOX	PROTECTIE INF.GRUP INOX/L
19	15486002	TAPPO FORO INTERRUPTORE	SWITCH HOLE PLUG	CAPUCHON TROU INTERRUPT.	ABDECKUNG SCHALTERLOCH	CAPAC DIN PLASTIC PT.INTRERUPATOR
20	23420	VITE TE OTTONE M6x12 NICHELATA	M6x12NICKEL-PLATED BRASS HEX.HEAD SCREW	VIS TH LAITON M6x12 NICKELEE	SECHSKANTSCHRAUBE AUS MESSING M6x12	SURUB DIN ALAMA M6x12 NICHELAT
21	77607020	SUPPORTO DESTRO-SINISTRO FIANCO	RIGHT-LEFT SUPPORT	SUPPORT DROIT-GAUCHE	RECHTS/LINKS HALTER	SUPORT LATERALA DREAPTA-STANGA



Pos	Cod.	Denominazione - IT -	Denomination - GB -	Denomination - FR -	Denomination - DE -	Denumire - RO -
22	78150072	SUPPORTO MANOMETRO 1>3GR	GAUGE SUPPORT 1>3GR	SUPPORT MANOMETRE 1>3GR	MANOMETERHALTER 1>3GR	SUPTOR MANOMETRU 1>3GR
23	77741	GUIDA DX-SX BACINELLAxTELA	R-L BASIN GUIDE FOR FRAMES	GUIDE DX-SX CUVE x CHASSIS	FÜHRUNG R-L SCHALE FÜR RAH	GHIDAJ DR-ST PT.TAVA DE SCURGERE
24	77742005	DISTANZIALE GUIDA BACINELLA	SPACER GLOSSY	ENTRETOISE CUVE	DISTANZSTUCK	DIST.PT.GHIDAJ PT.TAVA DE SCURGERE
25	12155001	GUARNIZIONE CU 8.5x3.3x1	COPPER GASKET 8.5X3.3X1	JOINT CU 8.5X3.3X1	CU DICHTUNG 8.5x3.3x1	GARN.DIN CU 8.5x3.3x1
26	21112	MANOMETRO TONDO DOPPIA SCALA	PRESSURE GAUGE	MANOMETRE	MANOMETER	MANOMETRU
27	21114	MANOMETRO TONDO 16Bar	ROUND PRESSURE GAUGE 16ATM	MANOMETRE ROND 16 Atm	MANOMETER 16 Atm	MANOMETRU 16 BAR
28	15318	PIEDINO REGOL.INOX/SAT H55/69	ADJUSTABLE FOOT H55/69	PIED REGLABLE H55/69	REGELBARER FUSS H55/69	PICIOARE REGLABILE INOX/SAT H55/69
29	77487454	PROF.BAS.ANT.1GR BIANCO	PROF.BAS.ANT 1GR WHITE	PROF.BAS.ANT 1GR BLANC	BASISPRPOF.VORDER 1GR WEIß	PROF.BAZ.ANT.1GR ALB
29	77487455	PROF.BAS.ANT.2GR BIANCO	PROF.BAS.ANT 2GR WHITE	PROF.BAS.ANT 2GR BLANC	BASISPRPOF.VORDER 2GR WEIß	PROF.BAZ.ANT.2GR ALB
29	77487456	PROF.BAS.ANT.3GR BIANCO	PROF.BAS.ANT 3GR WHITE	PROF.BAS.ANT 3GR BLANC	BASISPRPOF.VORDER 3GR WEIß	PROF.BAZ.ANT.3GR ALB
30	76095	BACINELLA 1GR INOX LUCIDO	1GR GLOSSY STAINLESS STEEL TRAY	BASSINELLE 1GR INOX BRILLANT	STAHLSCHALE 1GR	TAVA DE SCURGERE DIN INOX/L 1GR
30	76096	BACINELLA 2GR INOX LUCIDO	2GR GLOSSY STAINLESS STEEL TRAY	BASSINELLE 2GR INOX BRILLANT	STAHLSCHALE 2GR	TAVA DE SCURGERE DIN INOX/L 2GR
30	76097	BACINELLA 3GR INOX LUCIDO	3GR GLOSSY STAINLESS STEEL TRAY	BASSINELLE 3GR INOX BRILLANT	STAHLSCHALE 3GR	TAVA DE SCURGERE DIN INOX/L 3GR
31	76153000	GRIGLIA INF.INOX LUC.456x201	LOWER GRILL 456x201 SHINY S.STEEL	GRILLE INF.INOX 456x201	STAHL-UNTERGITTER 456x201	GRILAJ INF.DIN INOX 456x201.
32	76154000	GRIGLIA INF.DX INOX LUC.338.5x201	RIGHT LOWER GRILL - SHINY S.STEEL	GRILLE INF.DROIT INOX 338,5x201	STAHL-UNTER-RECHTEGITTER 338,5x201	GRILAJ INF.DR.DIN INOX 338.5x201
33	76155000	GRIGLIA INF.SINISTRA INOX LUC.338.5x201	LEFT LOWER GRILL - SHINY S.STEEL	GRILLE INF.GAUCHE INOX 338,5x201	STAHL-UNTER-LINKEGITTER 338,5x201	GRILAJ INF.ST.DIN INOX 338.5x201
34	76156000	GRIGLIA INF.INOX LUC. 253x201	LOWER GRILL 253x201 - SHINY S.STEEL	GRILLE INF.INOX 253x201	STAHL-UNTERGITTER 253x201	GRILAJ INF.INOX 253x201
35	15373058	SUPPORTO TASTO CROMATO SIBILLA	KEY SUPPORT CHROMED SIBILLA	SUPPORT TOUCHE CHROMEE SIBILLA	TASTEHALTER CHROM SIBILLA	SUPTOR TASTE SIBILLA
36	15373057	TASTO PULSANTIERE CROMATO SIBILLA	CHROMED KEY SIBILLA	TOUCHE CHROMEE SIBILLA	CHROM TASTE SIBILLA	BUTON SIBILLA
37	70848890	FRONTONE AEP/1 MCE 011 INOX	AEP FRONT/1 MCE 011 STEEL/LUC	ELEM.FRONT AEP/1 MCE 011 INOX	FRONT.AEP/1 MCE 011 STAHL	FRONT.AEP/1 MCE 011 INOX
37	70848891	FRONTONE AEP/2 MCE 011 INOX	AEP FRONT/2 MCE 011 STEEL/LUC	ELEM.FRONT AEP/2 MCE 011 INOX	FRONT.AEP/2 MCE 011 STAHL	FRONT.AEP/2 MCE 011 INOX
37	70848892	FRONTONE AEP/3 MCE 011 INOX	AEP FRONT/3 MCE 011 STEEL/LUC	ELEM.FRONT AEP/3 MCE 011 INOX	FRONT.AEP/3 MCE 011 STAHL	FRONT.AEP/3 MCE 011 INOX
38	70848893	FRONTONE SAE/1 MCE 011 INOX	SAE FRONT/1 MCE 011 STEEL/LUC	ELEM.FRONT SAE/1 MCE 011 INOX	FRONT.SAE/1 MCE 011 STAHL	FRONT.SAE/1 MCE 011 INOX
38	70848894	FRONTONE SAE/2 MCE 011 INOX	SAE FRONT/2 MCE 011 STEEL/LUC	ELEM.FRONT SAE/2 MCE 011 INOX	FRONT.SAE/2 MCE 011 STAHL	FRONT.SAE/2 MCE 011 INOX
38	70848895	FRONTONE SAE/3 MCE 011 INOX	SAE FRONT/3 MCE 011 STEEL/LUC	ELEM.FRONT SAE/3 MCE 011 INOX	FRONT.SAE/3 MCE 011 STAHL	FRONT.SAE/3 MCE 011 INOX
39	70848896	FRONTONE SAE/1+DISPLAY MCE 011 INOX	SAE FRONT/1+DISPLAY MCE 011 STEEL/LUC	ELEM.FRONT SAE/1+DISPLAY MCE 011 INOX	FRONT.SAE/1+DISPLAY MCE 011 STAHL	FRONT.SAE/1+DISPLAY MCE 011 INOX
39	70848897	FRONTONE SAE/2+DISPLAY MCE 011 INOX	SAE FRONT/2+DISPLAY MCE 011 STEEL/LUC	ELEM.FRONT SAE/2+DISPLAY MCE 011 INOX	FRONT.SAE/2+DISPLAY MCE 011 STAHL	FRONT.SAE/2+DISPLAY MCE 011 INOX
39	70848898	FRONTONE SAE/3+DISPLAY MCE 011 INOX	SAE FRONT/3+DISPLAY MCE 011 STEEL/LUC	ELEM.FRONT SAE/3+DISPLAY MCE 011 INOX	FRONT.SAE/3+DISPLAY MCE 011 STAHL	FRONT.SAE/3+DISPLAY MCE 011 INOX
40	18262	INT.BIP.LUM.BIANCO B418C1L110000	WHITE LIGHT BIPOLAR SWITCH B418C1L110000	INT.BIP.LUMINEUX BLANC B418C1L110000	WEIßES LICHT BIPOLEN SCHALTE	INTR.BIPOLAR LUMINOS ALBB418C1L110000
41	18359101	PULSANT.CAPACIT.4T x TC BIANCO	CAPACITIVE TOUCH PAD 4TxC WHITE	CLAVIER CAPACITIF 4TxC BLANC	KAPAZITIVEN TASTATUR 4TxC WEIß	TASTATURA CAPACITIVA 4TxC ALBA
42	18088013	MODULO DISPLAY BIANCO x TC	DISPLAY xTC WHITE	DISPLAY xTC BLANC	DISPLAY xTC WEIß	DISPLAY xTC ALB
43	77308045	COPRIMPIANTO 1GR MCE 011	CABLE - COVER 1GR MCE 011	COUVRE - CABLAGE 1GR MCE 011	VERDAHTUNHDECKEL 1GR MCE011	PROT.INST.1GR MCE 011
43	77308046	COPRIMPIANTO 2GR MCE 011	CABLE - COVER 2GR MCE 011	COUVRE - CABLAGE 2GR MCE 011	VERDAHTUNHDECKEL 2GR MCE011	PROT.INST.2GR MCE 011
43	77308047	COPRIMPIANTO 3GR MCE 011	CABLE - COVER 3GR MCE 011	COUVRE - CABLAGE 3GR MCE 011	VERDAHTUNHDECKEL 2GR MCE011	PROT.INST.3GR MCE 011



Pos	Cod.	Denominazione - IT -	Denomination - GB -	Denomination - FR -	Denomination - DE -	Denumire - RO -
1	73130603	FIANCO SX MCE 011 NERO	SIDE PANEL LEFT MCE 011 BLACK	COTE GAUCHE MCE 011 NOIR	SEITE LINKE MCE 011 SCHWARZ	LATERALA STANGA MCE 011 NEGRU
2	73130602	FIANCO DX MCE 011 NERO	SIDE PANEL RIGHT MCE 011 BLACK	COTE DROIT MCE 011 NOIR	SEITE LECHT MCE 011 SCHWARZ	LATERALA DREAPTA MCE 011 NEGRU
3	78041006	STAFFA FERMA FIANCO SUP.MCE 011	UPPER LATERAL SUPPORT	SUPPORT LATERAL SUPERIEUR MCE 011	OBEREN SEITLICHEN HALT	SUPORT OPRIRE PARTEA SUP.MCE 011
4	77607063	FERMA FIANCO ANTERIORE	FRONT SIDE BRACKET	PLATINE AVANT COTE	BUEGEL SEITENBLLENDE	SUPORT LATERALA ANTERIOR
5	77607064	FERMA FIANCO POSTERIORE	BACK SIDE BRACKET	PLATINE POST. COTE	BUEGEL SEITENBLLENDE	SUPORT LATERALA POSTERIOR
6	77607100	PROFILO DX FIANCO MCE 011	SIDE RIGHT PROFIL MCE011	PROFIL LATERAL DROIT MCE 011	SEITENPROFIL LECHT MCE 011	PROFIL LATERAL DREAPTA
7	77607101	PROFILO SX FIANCO MCE 011	SIDE LEFT PROFIL MCE 011	PROFIL LATERAL GAUCHE MCE 011	SEITENPROFIL LINKE MCE011	PROFIL LATERAL STANGA
8	75287006	PANN.POST.INF.1GR MCE 011 NERO	BACK LOWER PANEL 1GR BLACK	PANNEAU POST INF.1GR NOIR	TAFEL HINTEN UNTERE 1GR SCHWARZ	PANOU POSTERIOR INFERIOR 1GR NEGRU
8	75287007	PANN.POST.INF.2GR MCE 011 NERO	BACK LOWER PANEL 2GR BLACK	PANNEAU POST INF.2GR NOIR	TAFEL HINTEN UNTERE 2GR SCHWARZ	PANOU POSTERIOR INFERIOR 2GR NEGRU
8	75287008	PANN.POST.INF.3GR MCE 011 NERO	BACK LOWER PANEL 3GR BLACK	PANNEAU POST INF.3GR 011 NOIR	TAFEL HINTEN UNTERE 3GR SCHWARZ	PANOU POSTERIOR INFERIOR 3GR NEGRU
9	75287003	PANN.POST.CENTR.1GR NERO	BACK CENTRAL PANEL 1GR BLACK	PANNEAU POST CENTR.1GR NOIR	HINTEN MITTELTADEL 1GR SCHWARZ	PANOU CENTRAL POSTERIOR 1GR NEGRU
9	75287004	PANN.POST.CENTR.2GR NERO	BACK CENTRAL PANEL 2GR BLACK	PANNEAU POST CENTR.2GR NOIR	HINTEN MITTELTADEL 2GR SCHWARZ	PANOU CENTRAL POSTERIOR 2GR NEGRU
9	75287005	PANN.POST.CENTR.3GR NERO	BACK CENTRAL PANEL 3GR BLACK	PANNEAU POST CENTR.3GR NOIR	HINTEN MITTELTADEL 3GR SCHWARZ	PANOU CENTRAL POSTERIOR 3GR NEGRU
10	77607102	SUPP.PANN.POST.SUP.1GR INOX/L	SUPPORT BACK UPPER PANEL 1GR STEEL	SUPPORT PANNEAU POST SUP.1GR INOX	TAFEL HINTEN OBER 1GR STHAL	SUPORT PANOU POST.SUP.1GR INOX
10	77607103	SUPP.PANN.POST.SUP.2GR INOX/L	SUPPORT BACK UPPER PANEL 2GR STEEL	SUPPORT PANNEAU POST SUP.2GR INOX	TAFEL HINTEN OBER 2GR STHAL	SUPORT PANOU POST.SUP.2GR INOX
10	77607104	SUPP.PANN.POST.SUP.3GR INOX/L	SUPPORT BACK UPPER PANEL 3GR STEEL	SUPPORT PANNEAU POST SUP.3GR INOX	TAFEL HINTEN OBER 3GR STHAL	SUPORT PANOU POST.SUP.3GR INOX
11	75287000	PANN.POST.SUP.1GR NERO	BACK UPPER PANEL 1GR BLACK	PANNEAU POST SUP.1GR NOIR	HINTEN OBER 1GR SCHWARZ	PANOU POST.SUP.1GR NEGRU
11	75287001	PANN.POST.SUP.2GR NERO	BACK UPPER PANEL 2GR BLACK	PANNEAU POST SUP.2GR NOIR	HINTEN OBER 2GR SCHWARZ	PANOU POST.SUP.2GR NEGRU
11	75287002	PANN.POST.SUP.3GR NERO	BACK UPPER PANEL 3GR BLACK	PANNEAU POST SUP.3GR NOIR	HINTEN OBER 3GR SCHWARZ	PANOU POST.SUP.3GR NEGRU
12	76100211	GRIGLIA SUP.1GR INOX/LUC	COVER GRILL UPPER 1GR INOX	GRILLE SUPERIEURE 1GR INOX	OBERGITTER 1GR ATAHL	GRILAJ SUP.1GR INOX
12	76100212	GRIGLIA SUP.2GR INOX/LUC	COVER GRILL UPPER 2GR INOX	GRILLE SUPERIEURE 2GR INOX	OBERGITTER 2GR ATAHL	GRILAJ SUP.2GR INOX
12	76100213	GRIGLIA SUP.3GR INOX/LUC	COVER GRILL UPPER 3GR INOX	GRILLE SUPERIEURE 3GR INOX	OBERGITTER 3GR ATAHL	GRILAJ SUP.3GR INOX
13	83150026R	KIT MANOPOLA VAPORE FORMA	KIT STEAM TAP KNOB FOR FORMA	KIT POIGNEE VAP FORMA	KIT HANDGRIFF DAMPPFORMA	KIT MANOPOLA VAPOR FORMA
14	18371058	PULS.UNIP.N.A.SIBILLA	SINGLE POLE PUSHBUTTON	AUTOCOL.POIGNEE NOIR ROB.VAP/H2O	EINPOLIGER TASTER	TASTA UNIPOLARA SIBILLA
15	77044117	COPRICALDAIA ER/1 INOX/LUC	S.STEEL BOILER COVER 1GR	COUVRE-CHAUDIERE INOX 1GR	KESSELDECKEL 1GR STAHL	PROTECTIE CAZ.ER/1 INOX/LUC
15	77044118	COPRICALDAIA ER/2 INOX/LUC	S.STEEL BOILER COVER 2GR	COUVRE-CHAUDIERE INOX 2GR	KESSELDECKEL 2GR STAHL	PROTECTIE CAZ.ER/2 INOX/LUC
15	77044119	COPRICALDAIA ER/3 INOX/LUC	S.STEEL BOILER COVER 3GR	COUVRE-CHAUDIERE INOX 3GR	KESSELDECKEL 3GR STAHL	PROTECTIE CAZ.ER/3 INOX/LUC
15	77044120	COPRICALDAIA ER/1+DISPLAY INOX/LUC	S.STEEL BOILER COVER 1GR+DISPLAY	COUVRE-CHAUDIERE INOX 1GR+DISPLAY	KESSELDECKEL 1GR+DISPLAY STAHL	PROTECTIE CAZ.ER/1+DISPLAY INOX/LUC
15	77044121	COPRICALDAIA ER/2+DISPLAY INOX/LUC	S.STEEL BOILER COVER 2GR+DISPLAY	COUVRE-CHAUDIERE INOX 2GR+DISPLAY	KESSELDECKEL 2GR+DISPLAY STAHL	PROTECTIE CAZ.ER/2+DISPLAY INOX/LUC
15	77044122	COPRICALDAIA ER/3+DISPLAY INOX/LUC	S.STEEL BOILER COVER 3GR+DISPLAY	COUVRE-CHAUDIERE INOX 3GR+DISPLAY	KESSELDECKEL 3GR+DISPLAY STAHL	PROTECTIE CAZ. ER/3+DISPLAY INOX/LUC
16	21202	SEGNALIVELLO OVE TUV INCOLORE WEGA	COLORLESS LEVEL INDICATOR OVE-TUV	SIGNAL NIVEAU OVE-TUV	FARBLOSER NIVEAUNZEIGER OVE-TUV	INDICATOR NIVEL OVE-TUV INCOLOR
17	77308049	PROT.SUP.GRUPPO INOX/L	SUPERIOR PROTECTION GROUP INOX/L	PROTECTION GROUPE SUPERIEURE INOX/L	HERVORRANGENDEN SCHUTZ GR.INOX/L	PROTECTIE SUPERIOARA GRUP INOX/L
18	77308048	PROT.INF.GRUPPO INOX/L	LOWER PROTECTION GROUP INOX	PROTECTION GROUPE INF.INOX	UNTEREN SCHUTZGRUPPE INOX	PROTECTIE INF.GRUP INOX/L
19	15486002	TAPPO FORO INTERRUETTORE	SWITCH HOLE PLUG	CAPUCHON TROU INTERRUPT.	ABDECKUNG SCHALTERLOCH	CAPAC DIN PLASTIC PT.INTRERUPATOR
20	23420	VITE TE OTTONE M6x12 NICHELATA	M6x12NICKEL-PLATED BRASS HEX.HEAD SCREW	VIS TH LAITON M6x12 NICKEL	SECHSKANTSCHRAUBE AUS MESSING M6x12	SURUB DIN ALAMA M6x12 NICHELAT
21	77607020	SUPPORTO DESTRO-SINISTRO FIANCO	RIGHT-LEFT SUPPORT	SUPPORT DROIT-GAUCHE	RECHTS/LINKS HALTER	SUPORT LATERALA DREAPTA-STANGA



Pos	Cod.	Denominazione - IT -	Denomination - GB -	Denomination - FR -	Denomination - DE -	Denumire - RO -
22	78150072	SUPPORTO MANOMETRO 1>3GR	GAUGE SUPPORT 1>3GR	SUPPORT MANOMETRE 1>3GR	MANOMETERHALTER 1>3GR	SUPT MANOMETRU 1>3GR
23	77741	GUIDA DX-SX BACINELLAxTELA	R-L BASIN GUIDE FOR FRAMES	GUIDE DX-SX CUVE x CHASSIS	FÜHRUNG R-L SCHALE FÜR RAH	GHIDAJ DR-ST PT.TAVA DE SCURGERE
24	77742005	DISTANZIALE GUIDA BACINELLA	SPACER GLOSSY	ENTRETOISE CUVE	DISTANZSTUCK	DIST.PT.GHIDAJ PT.TAVA DE SCURGERE
25	12155001	GUARNIZIONE CU 8.5x3.3x1	COPPER GASKET 8.5X3.3X1	JOINT CU 8.5X3.3X1	CU DICHTUNG 8.5x3.3x1	GARN.DIN CU 8.5x3.3x1
26	21112	MANOMETRO TONDO DOPPIA SCALA	PRESSURE GAUGE	MANOMETRE	MANOMETER	MANOMETRU
27	21114	MANOMETRO TONDO 16Bar	ROUND PRESSURE GAUGE 16ATM	MANOMETRE ROND 16 Atm	MANOMETER 16 Atm	MANOMETRU 16 BAR
28	15318	PIEDINO REGOL.INOX/SAT H55/69	ADJUSTABLE FOOT H55/69	PIED REGLABLE H55/69	REGELBARER FUSS H55/69	PICIOARE REGLABILE INOX/SAT H55/69
29	77487451	PROF.BAS.ANT.1GR NERO	PROF.BAS.ANT 1GR BLACK	PROF.BAS.ANT 1GR NOIR	BASISPRPOF.VORDER 1GR SCHWARZ	PROF.BAZ.ANT.1GR NEGRU
29	77487452	PROF.BAS.ANT.2GR NERO	PROF.BAS.ANT 2GR BLACK	PROF.BAS.ANT 2GR NOIR	BASISPRPOF.VORDER 2GR SCHWARZ	PROF.BAZ.ANT.2GR NEGRU
29	77487453	PROF.BAS.ANT.3GR NERO	PROF.BAS.ANT 3GR BLACK	PROF.BAS.ANT 3GR NOIR	BASISPRPOF.VORDER 3GR SCHWARZ	PROF.BAZ.ANT.3GR NEGRU
30	76095	BACINELLA 1GR INOX LUCIDO	1GR GLOSSY STAINLESS STEEL TRAY	BASSINELLE 1GR INOX BRILLANT	STAHLSCHALE 1GR	TAVA DE SCURGERE DIN INOX/L 1GR
30	76096	BACINELLA 2GR INOX LUCIDO	2GR GLOSSY STAINLESS STEEL TRAY	BASSINELLE 2GR INOX BRILLANT	STAHLSCHALE 2GR	TAVA DE SCURGERE DIN INOX/L 2GR
30	76097	BACINELLA 3GR INOX LUCIDO	3GR GLOSSY STAINLESS STEEL TRAY	BASSINELLE 3GR INOX BRILLANT	STAHLSCHALE 3GR	TAVA DE SCURGERE DIN INOX/L 3GR
31	76153000	GRIGLIA INF.INOX LUC.456x201	LOWER GRILL 456x201 SHINY S.STEEL	GRILLE INF.INOX 456x201	STAHL-UNTERGITTER 456x201	GRILAJ INF.DIN INOX 456x201.
32	76154000	GRIGLIA INF.DX INOX LUC.338.5x201	RIGHT LOWER GRILL -SHINY S.STEEL	GRILLE INF.DROIT INOX 338,5x201	STAHL-UNTER-RECHTEGITTER 338,5x201	GRILAJ INF.DR.DIN INOX 338.5x201
33	76155000	GRIGLIA INF.SINISTRA INOX LUC.338.5x201	LEFT LOWER GRILL - SHINY S.STEEL	GRILLE INF.GAUCHE INOX 338,5x201	STAHL-UNTER-LINKEGITTER 338,5x201	GRILAJ INF.ST.DIN INOX 338.5x201
34	76156000	GRIGLIA INF.INOX LUC. 253x201	LOWER GRILL 253x201 - SHINY S.STEEL	GRILLE INF.INOX 253x201	STAHL-UNTERGITTER 253x201	GRILAJ INF.INOX 253x201
35	15373058	SUPPORTO TASTO CROMATO SIBILLA	KEY SUPPORT CHROMED SIBILLA	SUPPORT TOUCHE CHROME SIBILLA	TASTEHALTER CHROM SIBILLA	SUPT TASTE SIBILLA
36	15373057	TASTO PULSANTIERE CROMATO SIBILLA	CHROMED KEY SIBILLA	TOUCHE CHROME SIBILLA	CHROM TASTE SIBILLA	BUTON SIBILLA
37	70848890	FRONTONE AEP/1 MCE 011 INOX	AEP FRONT/1 MCE 011 STEEL/LUC	ELEM.FRONT AEP/1 MCE 011 INOX	FRONT.AEP/1 MCE 011 STAHL	FRONT.AEP/1 MCE 011 INOX
37	70848891	FRONTONE AEP/2 MCE 011 INOX	AEP FRONT/2 MCE 011 STEEL/LUC	ELEM.FRONT AEP/2 MCE 011 INOX	FRONT.AEP/2 MCE 011 STAHL	FRONT.AEP/2 MCE 011 INOX
37	70848892	FRONTONE AEP/3 MCE 011 INOX	AEP FRONT/3 MCE 011 STEEL/LUC	ELEM.FRONT AEP/3 MCE 011 INOX	FRONT.AEP/3 MCE 011 STAHL	FRONT.AEP/3 MCE 011 INOX
38	70848893	FRONTONE SAE/1 MCE 011 INOX	SAE FRONT/1 MCE 011 STEEL/LUC	ELEM.FRONT SAE/1 MCE 011 INOX	FRONT.SAE/1 MCE 011 STAHL	FRONT.SAE/1 MCE 011 INOX
38	70848894	FRONTONE SAE/2 MCE 011 INOX	SAE FRONT/2 MCE 011 STEEL/LUC	ELEM.FRONT SAE/2 MCE 011 INOX	FRONT.SAE/2 MCE 011 STAHL	FRONT.SAE/2 MCE 011 INOX
38	70848895	FRONTONE SAE/3 MCE 011 INOX	SAE FRONT/3 MCE 011 STEEL/LUC	ELEM.FRONT SAE/3 MCE 011 INOX	FRONT.SAE/3 MCE 011 STAHL	FRONT.SAE/3 MCE 011 INOX
39	70848896	FRONTONE SAE/1+DISPLAY MCE 011 INOX	SAE FRONT/1+DISPLAY MCE 011 STEEL/LUC	ELEM.FRONT SAE/1+DISPLAY MCE 011 INOX	FRONT.SAE/1+DISPLAY MCE 011 STAHL	FRONT.SAE/1+DISPLAY MCE 011 INOX
39	70848897	FRONTONE SAE/2+DISPLAY MCE 011 INOX	SAE FRONT/2+DISPLAY MCE 011 STEEL/LUC	ELEM.FRONT SAE/2+DISPLAY MCE 011 INOX	FRONT.SAE/2+DISPLAY MCE 011 STAHL	FRONT.SAE/2+DISPLAY MCE 011 INOX
39	70848898	FRONTONE SAE/3+DISPLAY MCE 011 INOX	SAE FRONT/3+DISPLAY MCE 011 STEEL/LUC	ELEM.FRONT SAE/3+DISPLAY MCE 011 INOX	FRONT.SAE/3+DISPLAY MCE 011 STAHL	FRONT.SAE/3+DISPLAY MCE 011 INOX
40	18262	INT.BIP.LUM.BIANCO B418C1L110000	WHITE LIGHT BIPOLAR SWITCH B418C1L110000	INT.BIP.LUMINEUX BLANC B418C1L110000	WEIßES LICHT BIPOLAREN SCHALTE	INTR.BIPOLAR LUMINOS ALBB418C1L110000
41	18359101	PULSANT.CAPACIT.4T x TC BIANCO	CAPACITIVE TOUCH PAD 4TxTC WHITE	CLAVIER CAPACITIF 4TxTC BLANC	KAPAZITIVEN TASTATUR 4TxTC WEIß	TASTATURA CAPACITIVA 4TxTC ALBA
42	18088013	MODULO DISPLAY BIANCO x TC	DISPLAY xTC WHITE	DISPLAY xTC BLANC	DISPLAY xTC WEIß	DISPLAY xTC ALB
43	77308045	COPRIMPIANTO 1GR MCE 011	CABLE - COVER 1GR MCE 011	COUVRE - CABLAGE 1GR MCE 011	VERDAHTUNHDECKEL 1GR MCE011	PROT.INST.1GR MCE 011
43	77308046	COPRIMPIANTO 2GR MCE 011	CABLE - COVER 2GR MCE 011	COUVRE - CABLAGE 2GR MCE 011	VERDAHTUNHDECKEL 2GR MCE011	PROT.INST.2GR MCE 011
43	77308047	COPRIMPIANTO 3GR MCE 011	CABLE - COVER 3GR MCE 011	COUVRE - CABLAGE 3GR MCE 011	VERDAHTUNHDECKEL 2GR MCE011	PROT.INST.3GR MCE 011

RFM

INDICE - INDEX - SOMMAIRE - VERZEICHNIS-INDEX

rev.

RFM-10

RUBINETTI ACQUA AEP - TAPS WATER AEP
ROBINETS EAU AEP - WASSERHAHN AEP - ROBINET APA AEP

00
12/2012

RFM-11

RUBINETTI ACQUA SAE - TAPS WATER SAE
ROBINETS EAU SAE - WASSERHAHN SAE - ROBINET APA SAE

00
12/2012

RFM-12

RUBINETTI VAPORE - TAPS STEAM
ROBINETS VAPEUR - DAMPFHAHN - ROBINET VAPORI

00
12/2012

RUBINETTI ACQUA
RUBINETTI VAPORE

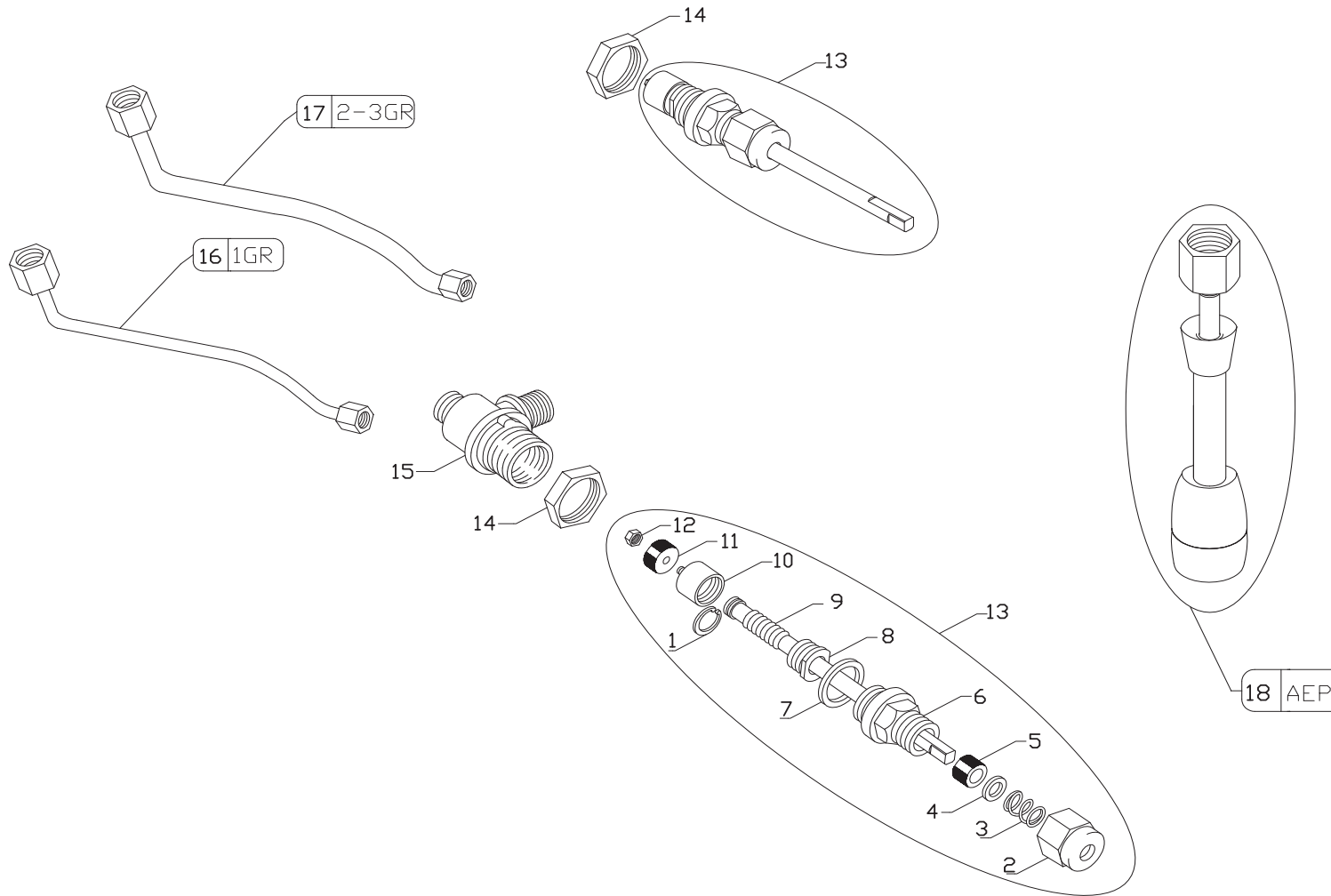
TAPS WATER
TAPS STEAM

ROBINETS EAU
ROBINETS VAPEUR

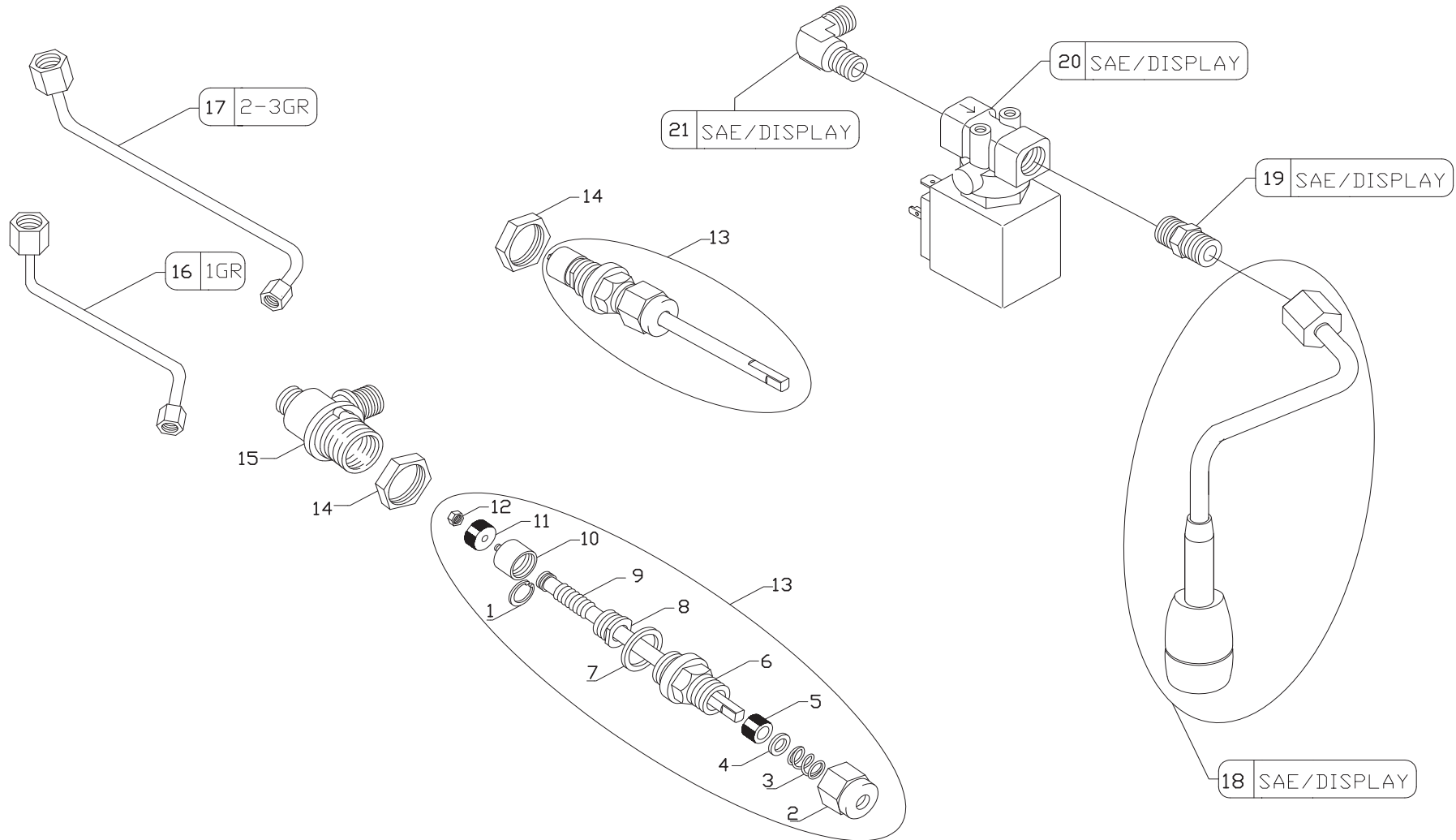
WASSERHAHN
DAMPFHAHN

ROBINET APA
ROBINET VAPORI

FORMA



Pos. Cod	Denominazione - IT -	Denomination - GB -	Denomination - FR -	Denomination - DE -	Denumire - RO -
1 10001	ANELLO ARRES.D6 INOX 316 DIN 6799	STEEL CIRCLIP 316 DIN 6799	CIRCLIP INOX 316 DIN 6799	STAHLHALTENRING 316 DIN 6799	INEL OPRIRE D.6 INOX 316 DIN 6799
2 25385001	DADO PREMISTOPPA COMPLETO	STUFFING NUT COMPLETE	ECROU DE PRESSE-ETOUPE COMPLET	STOPFBUCHSE MUTTER GANZ	PIULITA-DOP COMPLET
3 10452	MOLLA RUBINETTO H2O/VAPORE N4	WATER/STEAM TAP SPRING N4	RESSORT DE ROB.EAU-VAPEUR N4	WASSER/DAMPF HAHNFED. N4	ARC PT. ROB.DE APA /VAP.N4
4 25655	RONDELLA RUBINETTO	TAP WASHER	RONDELLE ROBINET	HAHNSCHEIBE	SAIBA ROBINET
5 12204	GU GOMMA RUBIN. H2O/VAP 12.5x7.5x9	TAP RUBBER GASKET 12.5x7.5x9	JOINT CAOUTCHOUC ROB. 12.5X7.5X9	HAHNDICHTUNG 12.5x7.5x9	GARN.CAUCIUC PT. ROB DE APA/VAP.
6 25678001	RACC.RUBINETTO	TAP FITTING	RACCORD ROBINET	HAHNANSCHLUSSTUCK	RACORD ROBINET
7 12158	GU CU RUB. 26x20.5x2	26x20.5x2 GASKET COPPER SEAL	JOINT CUIVRE 26x20.5x2	KUPFERDICHTUNG 26x20.5x2	GARN.DIN CUPRU PT. ROB. 26x20.5x2
8 25461	GHIERA RUBINETTO	TAP RING NUT	EMBOUT ROBINET	HAHNZWINGE	PIULITA INELARA PT. ROBINET
9 25311	ASTA RUBINETTO L109 CROMATA	CHROMED TAP ROD 109L	TIGE ROBINET L109 CHROMEE	VERCHROMTE HAHNSTANGE L109	SURUB AUTOFILETANT PT.ROBINET,CROMAT L109.
10 25616	PISTONCINO RUBINETTO	TAP JUMPER	PISTON ROBINET	HAHNKOLBEN	PISTON ROBINET
11 12203	GU GOMMA 15x4x4	RUBBER GASKET 15x4x4	JOINT EN CAOUTCHOUC 15X4X4	GUMMIDICHTUNG 15x4x4	GARNITURA DIN CAUCIUC 15x4x4
12 23050	DADO OTTONE M3 UNI 5587	BRASS NUT M3 UNI 5587	ECROU LAITON M3 UNI 5587	MESSING-MUTTER M3 UNI 5587	PIULITA DIN ALAMA M3 UNI 5587
13 561021	ASSIEME RUBINETTO H2O/VAPORE	H2O/STEAM TAP ASSEMBLY	ENSEMBLE ROBINET H20/VAPEUR	SATZ HAHN H20/DAMPF	ANSAMBLU ROBINETI H2O/VAPORI
14 25384	DADO OTTONE M26x1.5	BRASS NUT 26X1.5	ECROU LAITON 26X1.5	MESSING-MUTTER 26X1.5	PIULITA DIN ALAMA M26x1.5
15 53003	CORPO RUBINETTO	TAP BODY	CORPS DE ROBINET	HAHNKRPER	CORP ROBINET
16 52005007	TBS.D-8 L.290 AEP 1GR FM8 MCE 011 CLD > EV H	TUBE D-8 L.290 AEP 1GR FM8 MCE 011	TUYAU D-8 L.290 AEP 1GR FM8 MCE 011	ROHR D-8 L.290 AEP 1GR FM8 MCE 011	TUB D-8 L.290 AEP 1GR FM8 MCE 011 CAZAN > EV
17 52003019	TBS.D-10 L.315 AEP 2-3GR FM20 MCE 011 CLD > E	TUBE D-10 L.315 AEP 2-3GR FM20 MCE 011	TUYAU D-10 L.315 AEP 2-3GR FM20 MCE 011	ROHR D-10 L.315 AEP 2-3GR FM20 MCE 011	TUB D-10 L.315 AEP 2-3GR FM20 MCE 011 CAZAN>
18 56119129	ASS.TUBO H2O Cr MOBILE GL22	WATER PIPE Cr MOBILE GL22	TUYAU EAU Cr MOBILE GL22	ROHR WASSER Cr MOBILE GL22	ASS.TUB H2O Cr GL22



Pos. Cod	Denominazione - IT -	Denomination - GB -	Denomination - FR -	Denomination - DE -	Denumire - RO -
1	10001 ANELLO ARRES.D6 INOX 316 DIN 6799	STEEL CIRCLIP 316 DIN 6799	CIRCLIP INOX 316 DIN 6799	STAHLHALTENRING 316 DIN 6799	INEL OPRIRE D.6 INOX 316 DIN 6799
2	25385001 DADO PREMISTOPPA COMPLETO	STUFFING NUT COMPLETE	ECROU DE PRESSE-ETOUPE COMPLET	STOPFBUCHSE MUTTER GANZ	PIULITA-DOP COMPLET
3	10452 MOLLA RUBINETTO H2O/VAPORE N4	WATER/STEAM TAP SPRING N4	RESSORT DE ROB.EAU-VAPEUR N4	WASSER/DAMPF HAHNFED. N4	ARC PT. ROB.DE APA /VAP.N4
4	25655 RONDELLA RUBINETTO	TAP WASHER	RONDELLE ROBINET	HAHNSCHEIBE	SAIBA ROBINET
5	12204 GU GOMMA RUBIN. H2O/VAP 12.5x7.5x9	TAP RUBBER GASKET 12.5x7.5x9	JOINT CAOUTCHOUC ROB. 12.5X7.5X9	HAHNDICHTUNG 12.5x7.5x9	GARN.CAUCIUC PT. ROB DE APA/VAP.
6	25678001 RACC.RUBINETTO	TAP FITTING	RACCORD ROBINET	HAHNANSCHLUSSTUCK	RACORD ROBINET
7	12158 GU CU RUB. 26x20.5x2	26x20.5x2 GASKET COPPER SEAL	JOINT CUIVRE 26x20.5x2	KUPFERDICHTUNG 26x20.5x2	GARN.DIN CUPRU PT. ROB. 26x20.5x2
8	25461 GHIERA RUBINETTO	TAP RING NUT	EMBOUT ROBINET	HAHNZWINGE	PIULITA INELARA PT. ROBINET
9	25311 ASTA RUBINETTO L109 CROMATA	CHROMED TAP ROD 109L	TIGE ROBINET L109 CHROME	VERCHROMTE HAHNSTANGE L109	SURUB AUTOFILETANT PT.ROBINET,CROMAT L109.
10	25616 PISTONCINO RUBINETTO	TAP JUMPER	PISTON ROBINET	HAHNKOLBEN	PISTON ROBINET
11	12203 GU GOMMA 15x4x4	RUBBER GASKET 15x4x4	JOINT EN CAOUTCHOUC 15X4X4	GUMMIDICHTUNG 15x4x4	GARNITURA DIN CAUCIUC 15x4x4
12	23050 DADO OTTONE M3 UNI 5587	BRASS NUT M3 UNI 5587	ECROU LAITON M3 UNI 5587	MESSING-MUTTER M3 UNI 5587	PIULITA DIN ALAMA M3 UNI 5587
13	561021 ASSIEME RUBINETTO H2O/VAPORE	H20/STEAM TAP ASSEMBLY	ENSEMBLE ROBINET H20/VAPEUR	SATZ HAHN H20/DAMPF	ANSAMBLU ROBINET H20/VAPORI
14	25384 DADO OTTONE M26x1.5	BRASS NUT 26X1.5	ECROU LAITON 26X1.5	MESSING-MUTTER 26X1.5	PIULITA DIN ALAMA M26x1.5
15	53003 CORPO RUBINETTO	TAP BODY	CORPS DE ROBINET	HAHNKRPER	CORP ROBINET
16	52005018 TBS.D-8 L.220 1GR FM19 CLD> EV H2O	TUBE D-8 L.220 1GR FM19	TUYAU D-8 L.220 1GR FM19	ROHR D-8 L.220 1GR FM19	TUB D-8 L.220 1GR FM19 CAZ>EV H2O
17	52005000 TBS.D-8 L.300 2-3GR FM CLD>EV H2O	TUBE D-8 L.300 2-3GR FM	TUYAU D-8 L.300 2-3GR FM	ROHR D-8 L.300 2-3GR FM	TUB D-8 L.300 2-3GR FM CAZ>EV H2O
18	56119043 ASS.TUBO Cr H2O FISSA SP18	COMPLETE WATER PIPE SP18	TUYAU EAU CR SP 18	ROHR WASSER CR SP 18	ANSAMBLU TUB DE APA CROMAT SP18
19	23228001 RACC.DRITTO 1/8M 3/8M OT/Ni	Straight connection 1/8M 3/8M	RACCORD DROIT 1/8M 3/8M	GERADE VERSCHRAUBUNG 1/8M 3/8M	RACORD DE ALAMA NICHELAT 1/8M 3/8M
20	18160053 EL.AEA 220-230V 50/60Hz L120V12	SOL.VALVE WATER REFILL 220-230V/50 L120V12	EL.AEA 220-230V/50 L120V12	ELEKTROVENTIL AEA 220-230V/50 L120V12	ELECTROVALVA AEA SIRAI 220-230V 50Hz
21	23201 RACC.OTT.GOM.D6.2 1/4x1/8-AEA	ELBOW BRASS CONNECTOR D6.2 1/4x1/8-AEA	RACCORD COUDE LAITON D6.2 1/4x1/8-AEA	MESSING-ANSCHLUSS D6.2 1/4x1/8-AEA	RACORD ALAMA CAUCIUC D6.2 1/4x1/8 AEA.

Pos Cod.	Denominazione - IT -	Denomination - GB -	Denomination - FR -	Denomination - DE -	Denumire - RO -
1	25763344 ASS.TUBO VAP.IN.D.8 SPRUZZ.4FORI+C.	STAINLESS STEEL STEAM ARM D8	TUYAU VAPEUR INOX SP. D.8	SATZ DAMPF ROHR INOX D.8-DAMPFDUSE	ANS.TUB VAP.D8-DISP.DE ELIB.VAP-4 ORIF
2	25763149 TUBO VAP.IN.D.8 SPRUZZ.4FORI	TUBE STEAM STAINLESS STEEL ARM D.8	TUYAU VAPEUR INOX D.8 ATOMISEUR	DAMPF ROHR INOX D.8-DAMPFDUSE	TUB VAP.I.D.8 CU DISP.DE ELIB.VAP-4ORI
3	53003 CORPO RUBINETTO	TAP BODY	CORPS DE ROBINET	HAHNKRPER	CORP ROBINET
4	12010 GU TEFLON x H2O/VAP 21x17x2 cnn	PIPE GASKET TEFLON 21x17x2	JOINT TUYAU TEF.EAU/VAP 21x17x2	TEFLON-DICHTUNG WASSER/VAP 21x17x2	GARNITURA DE TEFLONxH2O/VAP. 21x17x2
5	10465001 MOLLA DE 11,4 DF 1,7 L.6 AISI 302	S.STEAM PIPE SPRING D11,4/1,7 L.6	RESORT TUYAU VAP.IN.D11,4/1,7 L6	FEDER DAMPF.EDELSTAHL D11,4/1,7L.6	ARC 11,4 DF 1,7 L.6 AISI 302
6	12661 GU.OR CON LUNETTA P.M.CANNA VAP.IN	OR REST FOR ST.STEEL STEAM PIPE	OR LUNETTE P.RESS.TUYAU VAP. IN	HALBE OR-DICHT.F.FEDER DAMPFROHR ED	GARN.OR PT.ARC SI TUB DE VAP.INOX
7	15296000 GOMMINO ANTISCOT.RA x TUBO VAP.D8	AN-BURNING RUBBER EL.FOR ST.PIPE D8	ELEM.AN-BRULURE POUR T.VAP. D-8	GUMMI GEGEN VERBRENNUNGEN F. D.8	CAUCIUC IMP.ARD.PT.TEAVA DE VAP.D.8
8	12662000 GU.ORM 0060 - 15 SPRUZZATORE	GASKET ORM 0060-15	JOINT ORM 0060-15	DICHTUNG ORM 0060-15	GARNITURA ORM 0060 - 15 PT. PULVERI.
9	25763080 SPRUZZ.VAP.IN.M8x1 4 FORI x TUBO D.8	STEEL STEAM SPRAYER	VAPORISATEUR INOX	STAHLDAMPFER	DISP.DE ELIB.VAP.-IN.CU 4GAURIX TUB D8
10	25384 DADO OTTONE M26x1.5	BRASS NUT 26X1.5	ECROU LAITON 26X1.5	MESSING-MUTTER 26X1.5	PIULITA DIN ALAMA M26x1.5
11	23050 DADO OTTONE M3 UNI 5587	BRASS NUT M3 UNI 5587	ECROU LAITON M3 UNI 5587	MESSING-MUTTER M3 UNI 5587	PIULITA DIN ALAMA M3 UNI 5587
12	12203 GU GOMMA 15x4x4	RUBBER GASKET 15x4x4	JOINT EN CAOUTCHOUC 15X4X4	GUMMIDICHTUNG 15x4x4	GARNITURA DE CAUCIUC 15x4x4
13	25616 PISTONCINO RUBINETTO	TAP JUMPER	PISTON ROBINET	HAHNKOLBEN	PISTON ROBINET
14	25311 ASTA RUBINETTO L109 CROMATA	CHROMED TAP ROD 109L	TIGE ROBINET L109 CHROME	VERCHROMTE HAHNSTANGE L109	SURUB AUTOFILETANT PT.ROBINET,CROMAT L109.
15	10001 ANELLO ARRESTO D6 INOX 316 DIN 6799	STEEL CIRCLIP 316 DIN 6799	CIRCLIP INOX 316 DIN 6799	STAHLHALTENRING 316 DIN 6799	INEL OPRIRE D.6 INOX 316 DIN 6799
16	25461 GHIERA RUBINETTO	TAP RING NUT	EMBOUT ROBINET	HAHNZWINGE	PIULITA INELARA PENTRU ROBINET
17	12158 GU CU RUB. 26x20.5x2	GASKET 26x20.5x2	JOINT 26x20.5x2	DICHTUNG 26x20.5x2	GARNITURA DIN CUPRU PT. ROB.26x20.5x2
18	25678001 RACC.RUBINETTO	TAP FITTING	RACCORD ROBINET	HAHNANSCHLUSSTUCK	RACORD ROBINET
19	12204 GU GOMMA RUBIN. H2O/VAP 12.5x7.5x9	TAP RUBBER GASKET 12.5x7.5x9	JOINT CAOUTCHOUC ROB. 12.5X7.5X9	HAHNDICHTUNG 12.5x7.5x9	GARN.CAUCIUC PT. ROB. DE APA/VAP.
20	25655 RONDELLA RUBINETTO	TAP WASHER	RONDELLE ROBINET	HAHNSCHEIBE	SAIBA ROBINET
21	10452 MOLLA RUBINETTO H2O/VAPORE N4	WATER/STEAM TAP SPRING N4	RESSORT DE ROBINET EAU-VAPEUR N4	WASSER/DAMPF HAHNFEDER N4	ARC PT. ROB. DE APA/VAPORI N4
22	25385001 DADO PREMISTOPPA COMPLETO	STUFFING NUT COMPLETE	ECROU DE PRESSE-ETOUPE COMPLET	STOPFBUCHSE MUTTER GANZ	PIULITA-DOP COMPLET
23	561021 ASSIEME RUBINETTO H2O/VAPORE	H2O/STEAM TAP ASSEMBLY	ENSEMBLE ROBINET H2O/VAPEUR	SATZ HAHN H2O/DAMPF	ANSAMBLU ROBINET H2O/VAPORI
24	52005011 TBS.D-10 L.320 2-3GR FM12 MCE 011 CLD > VAP.S	TUBE D-10 L.320 2-3GR FM12 MCE 011	TUYAU D-10 L.320 2-3GR FM12 MCE 011	ROHR D-10 L.320 2-3GR FM12 MCE 011	TUB D-10 L.320 2-3GR FM12 MCE 011 CAZAN>VAP.
25	52005003 TBS.D-10 L.280 FM4 MCE 011 CLD > VAP.DX	TUBE D-10 L.280 FM4 MCE 011	TUYAU D-10 L.280 FM4 MCE 011	ROHR D-10 L.280 FM4 MCE 011	TUB D-10 L.280 FM4 MCE 011 CAZAN>VAP.DR.
26	52005002 TBS.D-10 L.310 FM3 MCE 011 CLD > VAP.SX	TUBE D-10 L.310 FM3 MCE 011	TUYAU D-10 L.310 FM3 MCE 011	ROHR D-10 L.310 FM3 MCE 011	TUB D-10 L.310 FM3 MCE 011 CAZAN>VAP.ST.

GRFM

INDICE - INDEX - SOMMAIRE - VERZEICHNIS-INDEX

rev.

GRFM-20

GRUPPO - GROUP
GROUPE - GRUPPE - GRUP

00
12/2012

GRUPPO

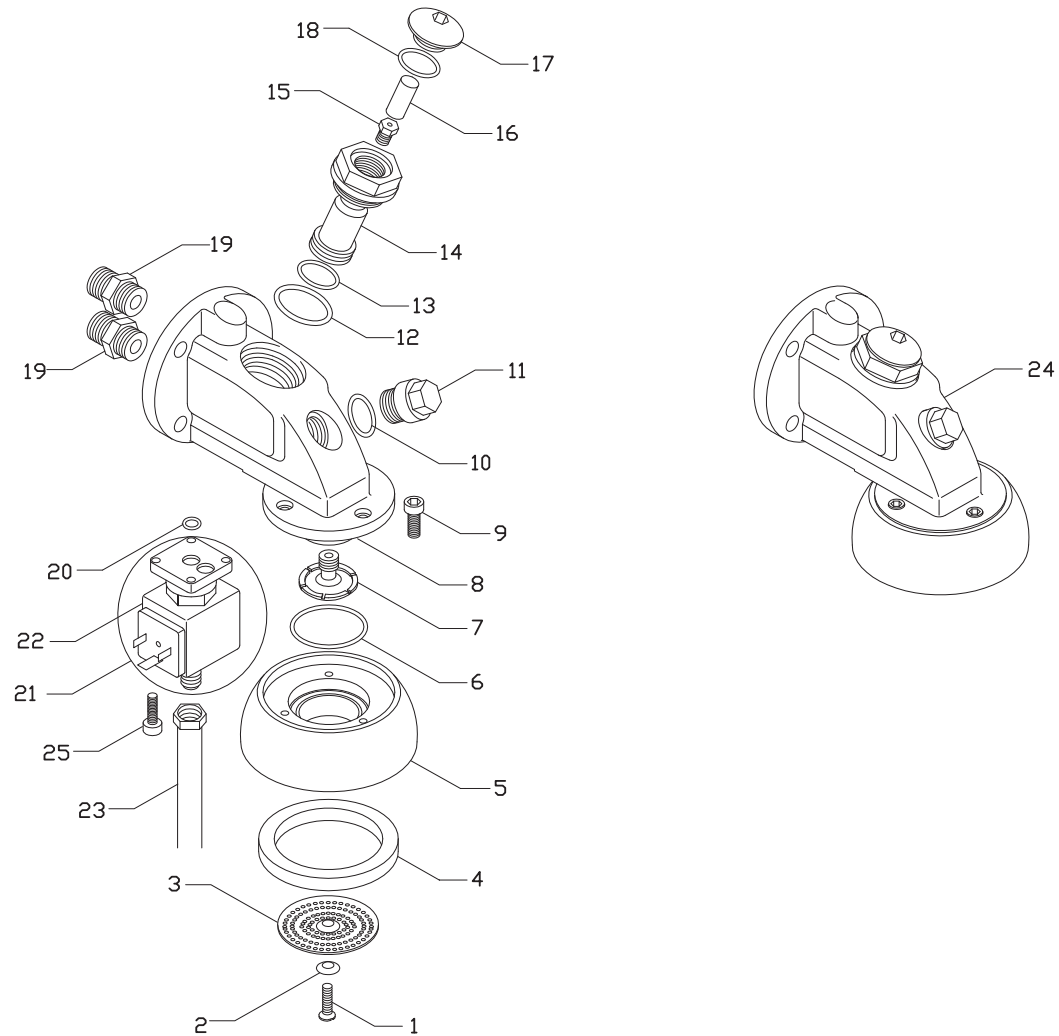
GROUP

GROUPE

GRUPPE

GRUP

FORMA



Pos.Cod.	Denominazione - IT -	Denomination - GB -	Denomination - FR -	Denomination - DE -	Denumire - RO -
1 23514	VITE TPS IN.5x20 TAGLIO CACCIAVITE	5x20 STAINLESS STEEL FLATHEAD SCREW	VIS TPS INOX 5x20 DE TOURNEVIS	SCHRAUBE TPS ROSTFREI 5x20	SURUB DIN INOX TPS M 5x20
2 23260014	RONDELLA INOX 12x5 DOCCETTA	INOX WASHER 12X5	RONDELLE INOX 12x5 DOUCHETTE	STAHL SCHEIBE 12x5 DUSCHE	SAIBA DIN INOX M 12x5
3 27100	DOCCETTA GRUPPO ER 51.9	GROUP SHOWER PLATE 51.9	DOUCHETTE GROUPE ER. 51.9	DUSCHE VERTEILEREINHEIT 51.9	SITA PT. GRUPUL DE EROGARE 51.9
4 12217	GU GOMMA S.COPPA 72x56x8 NORMALE	ST.SIZE FILTER SUPPORT GASKET 72x56x8	JOINT CAOUTCHOU SAUCOUCPE 72x56x8	FILTERHALTER GUMMIDICHTUNG 72x56x8	GARN.DIN CAUCIUC PT.GRUP 72x56x8
4 12215	GU GOMMA S.COPPA 72x56x8.5 MAGGIOR	LARGER SIZED FILT.SUPP. RUBBER 72x56x8.5	JOINT CAOUTCHOU SOUCOUCPE 72x56x8.5	FILTERHALTER GUMMIDICHTUNG 72x56x8.5	GARN.DIN CAUCIUC PT.GRUP 72x56x8.5
5 25250003	ANELLO AGGANCIATORE VE CROMATO	CHROMED CLAMPING RING	SABOT CHROME	CHROM GRUPPENRING	INEL CROMAT DE AGATARE
6 12300034	GU OR 3137 VITON Di34,6 CORDA 2,62	700SRHING SEAL 3137 VITON	JOINT OR 3137 VITON	O-RINGDICHT. 3137 VITON	GARN.OR 3137 VITON D.34,6
7 27105000	DIFF.GRUPPO WEGA x ADATTATORE	SPRAIER GROUP	DIFFUSEUR GROUPE	DIFFUSOR VERTEILEREINHEIT	PROPAGATOR PT. GRUP-WEGA
8 25368009	CORPO GRP ER CTS VE	DISTRIBUTION GROUP CTS VE	CORPS GROUPE DEBIT CTS VE	KORPER DER ABGABEGRUPPE CTS VE	CORP PT. GRUP ER. CTS VE
9 23552	VITE TCEI INOX 5X10	STEEL SCREW TCCE 5X10	VIS INOX TCCE 5X10	STAHLSCHRAUBE TCCE 5x10	SURUB DIN INOX TCEI M 5x10
10 12303	GU OR 119 HNBR TAPPO GRUPPO / VNR	CAP O RING GASKET 119	JOINT OR 119 POUR BOUCHON	OR DICHTUNG FUR STOPFEN 119	GARNITURA OR 119 HNBR
11 25789301	TAPPO CAMERA PREINFUSIONE GRP ESTR.	CAP GROUP	BOUCHON GROUPE	STOPFEN ABGABEGRUPPE	DOP PT. CAM.DE PREINF. A GRUPULUI
12 12300026	GU OR 0134 EPDM 17.86X2.62	O RING GASKET 0134 EPDM 17.86X2.62	JOINT OR 0134 EPDM 17.86X2.62	OR DICHTUNG 0134 EPDM 17.86X2.62	GARNITURA OR 0134 EPDM 17.86X2.62
13 12336001	GU OR 0134 EPDM 25.8x3.53	O RING GASKET 0134 EPDM 25.8x3.53	JOINT OR 0134 EPDM 25.8x3.53	OR DICHTUNG 0134 EPDM 25.8x3.53	GARNITURA OR 0134 EPDM 25.8x3.53
14 25739503	PORTAGIGLEUR GRUPPO CTS 03 VE	NOZZLE HOLDER GROUP CTS 03	PORTE-GICLEUR GROUPE CTS 03	DUSEHALTER GRUPPE CTS 03	PORTAJIGLER PT. GRUP CTS 03 VE
15 10300C	GIGLER OTT. X GRUPPO D 0.6	BRASS UNIT FOR JET D 0.6	GIGLEUR LAITON POUR GROUPE D 0.6	VERMESSINGTE GRUPPENDÜSE D 0.6	JIGLER DIN ALAMA PT. GRUP D. 0.6
16 10253	FILTRO GIGLER GRUPPO W527	JET FILTER	FILTRE GICLEUR	DUSE FILTER	FILTRU JIGLER PT. GRUP W527
17 25789306	TAPPO PORTA GIGLEUR GRUPPO CTS 03	CAP GROUP JET	BOUCHON GIGLEUR	STOPFEN EINSPRITZDUSE	DOP PORTAJIGLER PT. GRUP CTS 03
18 12336000	GU ORM 0170-30 HNBR 70Sh Di17x3 GRP	GCAATSSKET ORM 0170-30 HNBR 70Sh	JOINT ORM 0170-30 HNBR 70Sh	DICHTUNG ORM 0170-30 HNBR 70Sh	GARN. ORM 0170-30 HNBR 70Sh Di17x3
19 25687002	RACCORDO 3/8X3/8 GAS GRP CTS 03	CONNECTOR 3/8x3/8 CTS 03 UNIT	RACCORD 3/8x3/8 GR. CTS 03	ANSCHLUSS 3/8x3/8 CTS 03	RACORD 3/8X3/8 PT. GRUP CTS 03
20 12305	GU OR 105 GR.ELETT.VITON 70SH	O RING VITON SEAL 105 GREEN SOLENOI	JOINT OR 105 GR.ELECT.	O-RINGDICHT. 105 EKELTR. EINHEIT	GARN.OR 105 PT.ELECT.GR.VITON 70SH
21 18160002	ELETTROVAL.GRUPPO SIR 230V 50HZ	GROUP SOLENOID VALE SIR 230V 50HZ	ELECTROV.GROUPE SIR 230V 50HZ	GRUPPENMAGNETVENTIL SIR 230V 50HZ	ELECTROVAL.PT. GRUP SIR 230V 50HZ
22 18001002	BOBINA GRUPPO 230V SIR. 2A 32A	REEL SIR 230V 2A 32A	BOBINE SIR 230V 2A 32A	ROLLE SIR 230V 2A 32A	BOBINA PT. GRUP 230V SIR. 2A 32A
23 52000168	TBS.D-12 L.92 1-4GR RACCORD SCARICO	TUBE D-12 L.92 1-4GR	TUYAU D-12 L.92 1-4 GR	ROHR D-12 L.92 1-4 GR	TUB D-12 L.92 1-4 GR
24 56082112	GRUPPO CTS VE/CMA NEUTRO	DISTRIBUT.GROUP CTS VE/CMA NEUTER	GROUPE DEBIT CTS VE/CMA NEUTRE	AUSGABEGRUPPR CTS VE/CMA NEUTR.	GRUP CTS VE/CMA
25 23551	VITE TCEI INOX 4x12 UNI 5931 D	SCREW TCCE S.STEEL 4x12 UNI 5931 D	VIS TCCE INOX 4x12 UNI 5931 D	STAHLSCHRAUBE TCCE 4x12 UNI 5931 D	SURUB DIN INOX TCEI M4x12 UNI 5931

CLD

INDICE - INDEX - SOMMAIRE - VERZEICHNIS-INDEX

rev.

CLD-30

CALDAIA 1GR - BOILER 1GR
CHAUDIÈRE 1GR - KESSEL 1GR - CAZAN 1GR

00
12/2012

CLD-31

CALDAIA 2GR - BOILER 2GR
CHAUDIÈRE 2GR - KESSEL 2GR - CAZAN 2GR

00
12/2012

CLD-32

CALDAIA 3GR - BOILER 3GR
CHAUDIÈRE 3GR - KESSEL 3GR - CAZAN 3GR

00
12/2012

CALDAIA

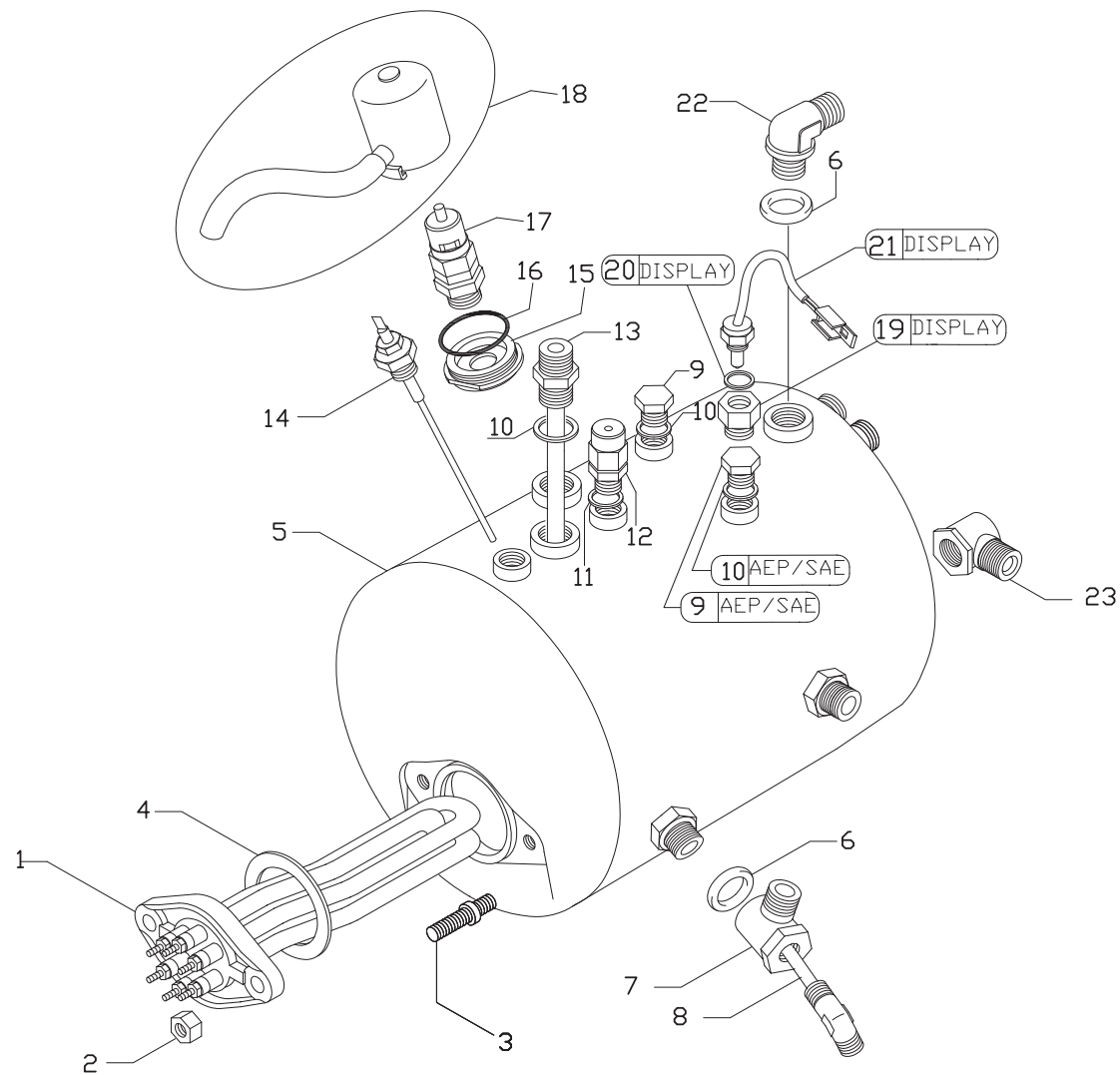
BOILER

CHAUDIÈRE

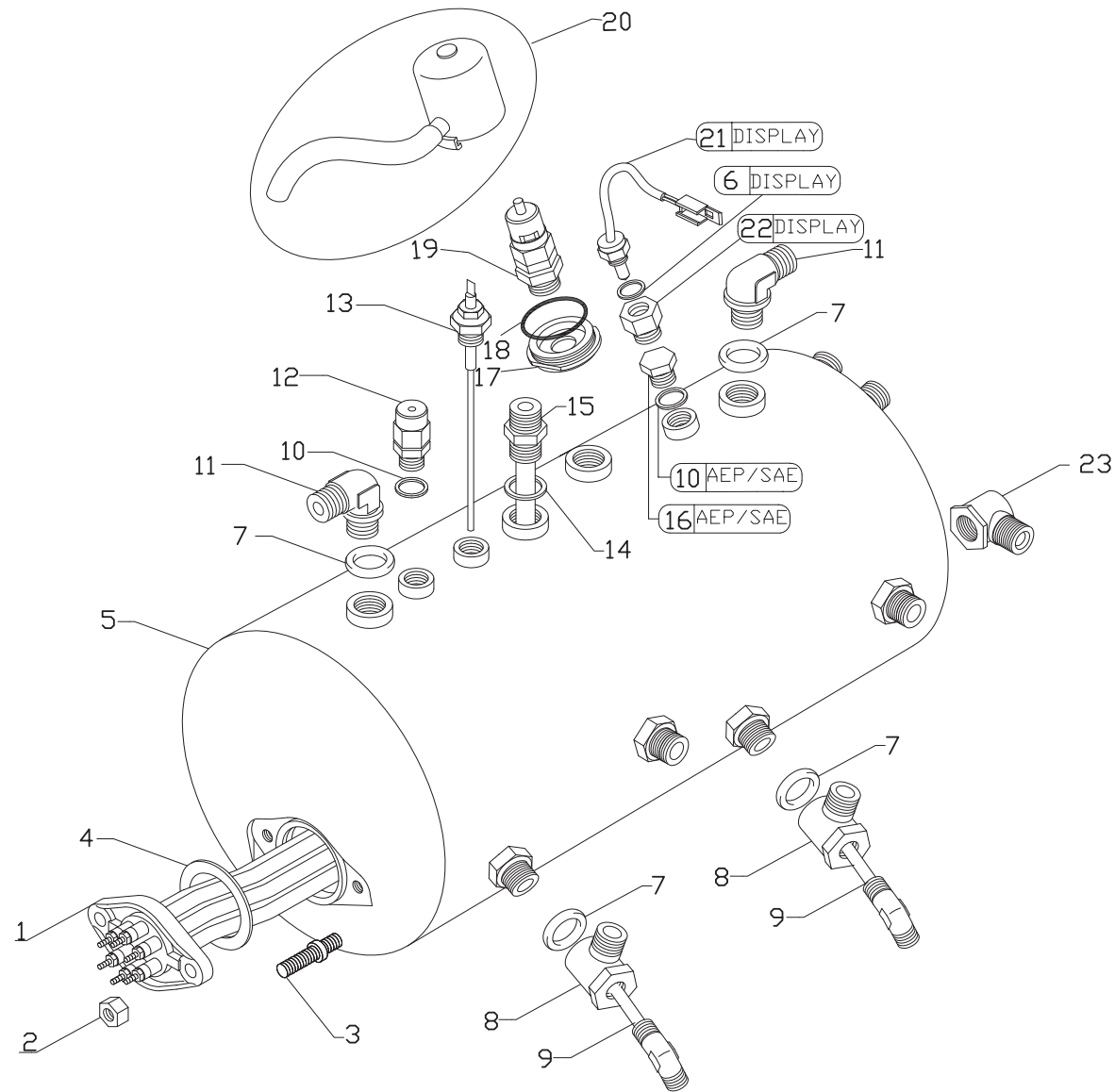
KESSEL

CAZAN

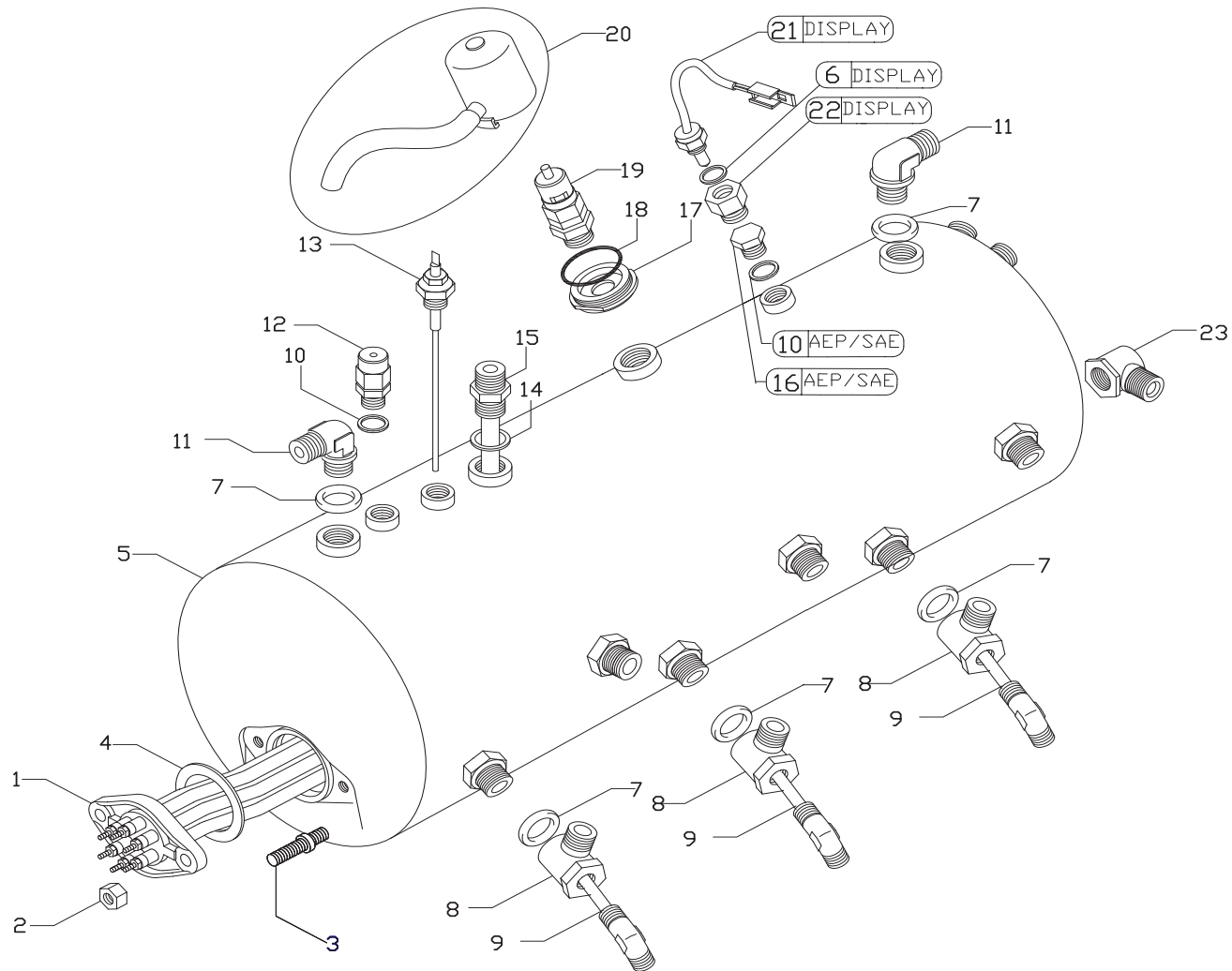
FORMA



Pos	Cod.	Denominazione - IT -	Denomination - GB -	Denomination - FR -	Denomination - DE -	Denumire - RO -
1	17012	RES.1GR 6P 230/380V 2700W	HEAT.ELEM.1GR 230/380V 2700W 6P.	RESIST.1GR 230/380V 2700W 6P.	HEIZKORPER 1GR 230/380V 2700W 6P.	REZIST.1GR 6P 230/380V 2700W
2	23049	DADO OTTONE M8 UNI 5587	BRASS NUT M8 UNI 5587	ECROU LAITON M8 UNI 5587	MESSING-SCHRAUBENMUTTER M8 UNI 5587	PIULITA DIN ALAMA MM8UUNNI555887
3	23132001	PRIG.INOX M8 FONDO CALD.ECON.	M8 S.STEEL BOTTOM STUD BOLT	PRISONNIER INOX M8 FOND	STIFTSCHRAUBE EDELSTAHL M8 BODEN	SURUB PT. PRINDEREA REZIS. PE CAZA
4	12001	GU TEFLON VERGI.x RES/SCA 58x43x2	TEFLON GASKET ELEM./EXCH. 58x43x2	JOINT TEFLON RESIST/ECHANG.58x43x2	TEFLON DICHTUNG 58x23x2	GARNITUTRA DIN TEFLON 58x43x2
5	62020009	CLD 1GR CTS 6LT ECON.SC.80	BOILER 1GR CTS 6LT - ECO SC.80	CHAUDIERE 1GR CTS 6LT - ECO SC.80	KESSEL 1GR CTS 6LT - ECO SC.80	CAZAN 1GR CTS 6LT ECON. SC.80
6	12101	GU CU/ALIM 3/8 22x17x3	3/8 22x17x3 FEEDER/COPPER SEAL	JOINT CUIVRE/ALIM 3/8 22x17x3	KUPFERDICHTUNG/SPEIS. 3/8 22x17x3	GARNITURA CUPRU 3/8 22x17x3
7	43030001	RACC.INIETTORE IT.3/8Fx3/8Mx14F	3/8Fx3/8Mx14F INJECTOR FITTING	RACC. INJECTEUR 3/8Fx3/8Mx14F	ANSCHLUSS EINSPRITZER 3/8Fx3/8Mx14F	RAC.INJECTOR 3/8Fx3/8Mx14F
8	52000410	TBS.D-6 L.85 AEP-SAE/2 GL11 INIETT.	TUBE D-6 L.85 GL11	TUYAU D-6 L.85 GL11	ROHR D-6 L.85 GL11	TUB D-6 L.85 AEP-SAE/2 GL11
9	25785	TAPPO MASCHIO 3/8	MALE CAP 3/8	BOUCHON MALE 3/8	STOPFEN 3/8	DOP 3/8
10	12154	GUARNIZIONE CU 3/8 22X17X1.5	3/8 22X17X1.5 COPPER SEAL	JOINT CUIVRE 3/8 22X17X1.5	KUPFERDICHTUNG 3/8 22X17X1.5	GARNITURA DIN CUPRU 3/8 22x17x1.5
11	12153	GU CU 1/4 17x13.3x1.5	1/4 17x13.3x1.5 COPPER SEAL	JOINT CUIVRE 1/4 17x13.3x1.5	KUPFERDICHTUNG 1/4 17x13.3x1.5	GARN. DIN CUPRU 1/4 17x13.3x1.5
12	56150	VALVOLA ANTIRISUCCHIO V.A.R.	ANTI-EDDY VALVE V.A.R.	SOUPAPE ANTI-DEPRESSION V.A.R.	VENTIL UNTERDRUCKFREI V.A.R.	VALVA ANTIRETUR V.A.R.
13	52001612	TUBO D-10 L.115 1>4GR	TUBE D-10 L.115 1>4GR	TUYAU D-10 L.115 1>4GR	ROHR D-10 L.115 1>4GR	TUB D-10 L.115 1-4 GR. DE 13.
14	20251	SONDA LIV.TL 10/B L125 908600	TL 10/B L125 908600 LEVEL PROBE	JAUGE TL 10/B L125 908600	PEGELFÜHLER TL 10/B L125 908600	SONDA DE NIV.TL 10/B L125 908600
15	15006001	FLANGIA GREENAMID 66 G50 H VALV.SIC.	FLANGE GREENAMID VALVE	JOINT GREENAMID VANNE	FLANSCH GREENAMID VENTIL	FLANSA GREENAMID PT.VALVA DE SIGUR.
16	12300000	GU OR 3156 VITON x VALV.SIC.	O RING VITON	JOINT OR VITON	OR DICHTUNG VITON	GARN. OR.3156 VITON PT.VALV.DE SIG
17	20352	VALV.SICUREZZA *CE* + SIG.CMA	*CE* SAFETY VALVE	SOUPAPE DE SECURITE *CE*	SICHERHEITSVENTIL *CE*	VALVA DE SIGURANTA *CE*
18	56009980	ASS.PROT.VALVOLE SICUREZZA	UNIT PROTECTION VALVE	ENSEMBLE PROTECTION VANNE	SATZ-SCHUTZGITTER VENTIL	ANS.DE PROT. PT. VALVA DE SIGURAN.
19	25749001	RIDUZIONE 3/8M GAS-1/8F GAS NI	REDUCER 3/8M GAS -1/8F GAS NI	REDUCTEUR 3/8M GAS-1/8F GAS NI	REDUZIERER 3/8M GAS-1/8F GAS NI	RED. 3/8GAS-1/8F GAS NI
20	12151	GU CU DOSATORE SAE 13x10.2x1.5	CU GASKET FOR SAE DOSER 13x10.2x1.5	JOINT CU DE DOSEUR SAE 13x10.2x1.5	CU DICHTUNG FÜR SAE DOSIERANLAGE	GARNITURA DIN CUPRU 13x10.2x1.5
21	20306	TERMOSTATO SONDA NTC ES 13	THERMOSTAT NTC ES 13	THERMOSTAT NTC ES 13	TERMOSTAT NTC ES 13	TERMOSTAT NTC ES 13
22	43052	RACORD "L" 3/8	CONNECTOR "L" 3/8	RACCORD "L" 3/8	ANSCHLUSS "L" 3/8	RACORD "L" 3/8
23	43070	RACC."L" 3/8F GAS CON. x 3/8M GAS	CONNECTOR L 3/8 GAS x 3/8 GAS	RACCORD L 3/8 GAZ x 3/8 GAZ	FITTING L 3/8 GAS x 3/8 GAS	RACORD "L" 3/8F GAS CU 3/8M GAS



Pos Cod.	Denominazione - IT -	Denomination - GB -	Denomination - FR -	Denomination - DE -	Denumire - RO -
1	17059 RESIST. 2G 6P 230/380V 3400W	HEATING EL.2GR 220/380V-3400W 6P	RESISTANCE 2GR 220/380V-3400W 6P	HEIZKORPER 2GR 220/380V-3400W 6P	REZIST.2GR 6P 230/380V 3400W
2	23049 DADO OTTONE M8 UNI 5587	BRASS NUT M8 UNI 5587	ECROU LAITON M8 UNI 5587	MESSING-SCHRAUBENMUTTER M8 UNI 5587	PIULITA DIN ALAMA M8 UNI 5587
3	23132001 PRIG.INOX M8 FONDO CALD.ECONO.	M8 STAINLESS STEEL BOTTOM STUD BOLT	PRISONNIER INOX M8 FOND	STIFTSCHRAUBE EDELSTAHL M8 BODEN	SURUB PT. PRINDEREA REZIS. PE CAZAN
4	12001 GU TEFLON VERG. x RES/SCA 58x43x2	TEFLON GASKET ELEMENT/EXCH. 58x43x2	JOINT TEFLON RESIST/ECHANG. 58x43x2	TEFLON DICHTUNG 58x23x2	GARNITURA DIN TEFLON 58x43x2
5	62143009 CALDAIA 2GR CTS ECONOMICA SC.80	BOILER 2GR CTS- ECO - SC.80	CHAUDIERE 2GR CTS - ECO SC.80	KESSEL 2GR CTS -ECO SC.80	CAZAN 2GR CTS ECON. SC.80
6	12151 GU CU DOSATORE SAE 13x10.2x1.5	CU GASKET FOR SAE DOSER 13x10.2x1.5	JOINT CU DE DOSEUR SAE 13x10.2x1.5	CU DICHTUNG FÜR SAE DOSIERANLAGE	GARNITURA DIN CUPRU 13x10.2x1.5
7	12101 GU CU/ALIM 3/8 22x17x3	3/8 22x17x3 FEEDER/COPPER SEAL	JOINT CUIVRE/ALIM 3/8 22x17x3	KUPFERDICHTUNG/SPEIS. 3/8 22x17x3	GARN. DIN CUPRU 3/8 22x17x3
8	43030001 RACC.INIETTORE 3/8Fx3/8Mx14F	3/8Fx3/8Mx14F INJECTOR FITTING	RACC. INJECTEUR 3/8Fx3/8Mx14F	ANSCHLUSS EINSPRITZER 3/8Fx3/8Mx14	FRAC.INJECTOR 3/8Fx3/8Mx14F
9	52000410 TBS.D-6 L.85 AEP-SAE/2 GL11 INIETT.	TUBE D-6 L.85 GL11	TUYAU D-6 L.85 GL11	ROHR D-6 L.85 GL11	TUB D-6 L.85 AEP-SAE/2 GL11
10	12153 GU CU 1/4 17x13.3x1.5	1/4 17x13.3x1.5 COPPER SEAL	JOINT CUIVRE 1/4 17x13.3x1.5	KUPFERDICHTUNG 1/4 17x13.3x1.5	GARN. DIN CUPRU 1/4 17x13.3x1.5
11	43052 RACORD "L" 3/8	CONNECTOR "L" 3/8	RACCORD "L" 3/8	ANSCHLUSS "L" 3/8	RACORD "L" 3/8
12	56150 VALVOLA ANTIRISUCCHIO V.A.R.	ANTI-EDDY VALVE V.A.R.	SOUPAPE ANTI-DEPRESSION V.A.R.	VENTIL UNTERDRUCKFREI V.A.R.	VALVA ANTIRETUR V.A.R.
13	20251 SONDA LIV. TL 10/B L125 908600	TL 10/B L125 908600 LEVEL PROBE	JAUGE TL 10/B L125 908600	PEGELFÜHLER TL 10/B L125 908600	SONDA DE NIVEL TL 10/B L125 908600
14	12154 GU CU 3/8 22x17x1.5	3/8 22x17x1.5 COPPER SEAL	JOINT CUIVRE 3/8 22x17x1.5	KUPFERDICHTUNG 3/8 22x17x1.5	GARNITURA DIN CUPRU 3/8 22x17x1.5
15	52001612 TBS.D-10 L.115 1>4GR DE 13 PES	TUBE D-10 L.115 1 4GR DE 13	TUYAU D-10 L.115 1 4GR DE 13	ROHR D-10 L.115 1 4GR DE 13	TUB D-10 L.115 1>4GR DE 13
16	25780 TAPPO MASCHIO OTTONE 1/4	BRASS MALE CAP 1/4	BOUCHON MALE LAITON 1/4	MESSING-STOPFEN 1/4	DOP DIN ALAMA PT. MASC. 1/4
17	15006001 FLANGIA GREENAMID 66 G50 H VALV.SIC.	FLANGE GREENAMID VALVE	JOINT GREENAMID VANNE	FLANSCH GREENAMID VENTIL	FLANSA GREENAMID PT.VALVA DE SIGUR.
18	12300000 GU OR 3156 VITON x VALV.SIC.	O RING VITON	JOINT OR VITON	OR DICHTUNG VITON	GARN.OR.3156 PT.VALVA DE SIGUR.
19	20352 VALVOLA SICUREZZA *CE* + SIG.CMA	*CE* SAFETY VALVE	SOUPAPE DE SECURITE *CE*	SICHERHEITSVENTIL *CE*	VALVA DE SIGURANTA *CE*
20	56009980 ASS.PROT.VALVOLE SICUREZZA	UNIT PROTECTION VALVE	ENSEMBLE PROTECTION VANNE	SATZ-SCHUTZGITTER VENTIL	ANS. DE PROT. PT. VALVA DE SIG.
21	20306 TERMOSTATO SONDA NTC ES 13	THERMOSTAT NTC ES 13	THERMOSTAT NTC ES 13	TERMOSTAT NTC ES 13	TERMOSTAT NTC ES 13
22	25749003 RIDUZIONE 1/4M GAS-1/8F GAS NI	REDUCER 1/4M GAS -1/8F GAS NI	REDUCTEUR 1/4M GAS-1/8F GAS NI	REDUZIERER 1/4M GAS-1/8F GAS NI	RED. 1/4GAS-1/8F GAS NI
23	43070 RACC."L" 3/8F GAS CON. x 3/8M GAS	CONNECTOR L 3/8 GAS x 3/8 GAS	RACCORD L 3/8 GAZ x 3/8 GAZ	FITTING L 3/8 GAS x 3/8 GAS	RACORD "L" 3/8F GAS CU 3/8M GAS



Pos	Cod.	Denominazione - IT -	Denomination - GB -	Denomination - FR -	Denomination - DE -	Denumire - RO -
1	17107	RES.3GR 6P 230/380V 5000W	HEATING EL.3GR 220/240V 5000/5440 6P	RESISTANCE 3GR 220/240V 5000/5440W	HEIZKORPER 3GR 220/240V 5000/5440W	REZIST 3GR 6P 230/380V 5000W
2	23049	DADO OTTONE M8 UNI 5587	BRASS NUT M8 UNI 5587	ECROU LAITON M8 UNI 5587	MESSING-SCHRAUBENMUTTER M8 UNI 5587	PIULITA DIN ALAMA M8 UNI 5587
3	23132001	PRIG.INOX M8 FONDO CALD.ECONO.	M8 STAINLESS STEEL BOTTOM STUD BOLT	PRISONNIER INOX M8 FOND	STIFTSCHRAUBE EDELSTAHL M8 BODEN	SURUB PT.PRINDEREA REZIS.PE CAZ
4	12001	GU PTFE VERG.x RES/SCA 58x43x2	TEFLON GASKET ELEMENT/EXCH. 58x43x2	JOINT TEFLON RESIST/ECHANG.58x43x2	TEFLON DICHTUNG 58x23x2	GARNITUTRA DIN TEFLON 58x43x2
5	62250009	CALDAIA 3GR CTS ECONO.SC.80	BOILER 3GR CTS- ECO - SC.80	CHAUDIERE 3GR CTS - ECO SC.80	KESSEL 3GR CTS -ECO SC.80	CAZAN 3GR CTS ECON. SC.80
6	12151	GU CU DOSATORE SAE 13x10.2x1.5	CU GASKET FOR SAE DOSER 13x10.2x1.5	JOINT CU DE DOSEUR SAE 13x10.2x1.5	CU DICHTUNG FÜR SAE DOSIERANLAGE	GARNITURA DIN CUPRU 13x10.2x1.5
7	12101	GU CU/ALIM 3/8 22x17x3	3/8 22x17x3 FEEDER/COPPER SEAL	JOINT CUIVRE/ALIM 3/8 22x17x3	KUPFERDICHTUNG/SPEIS. 3/8 22x17x3	GARN. DIN CUPRU 3/8 22x17x3
8	43030001	RACC.INIETTORE 3/8Fx3/8Mx14F	3/8Fx3/8Mx14F INJECTOR FITTING	RACC. INJECTEUR 3/8Fx3/8Mx14F	ANSCHLUSS EINSPRITZER 3/8Fx3/8Mx14F	RAC.INJECTOR 3/8Fx3/8Mx14F
9	52000410	TBS.D-6 L.85 AEP-SAE/2 GL11 INIETT.	TUBE D-6 L.85 GL11	TUYAU D-6 L.85 GL11	ROHR D-6 L.85 GL11	TUB D-6 L.85 AEP-SAE/2 GL11
10	12153	GU CU 1/4 17x13.3x1.5	1/4 17x13.3x1.5 COPPER SEAL	JOINT CUIVRE 1/4 17x13.3x1.5	KUPFERDICHTUNG 1/4 17x13.3x1.5	GARN. DIN CUPRU 1/4 17x13.3x1.5
11	43052	RACORD "L" 3/8	CONNECTOR "L" 3/8	RACCORD "L" 3/8	ANSCHLUSS "L" 3/8	RACORD "L" 3/8
12	56150	VALVOLA ANTIRISUCCHIO V.A.R.	ANTI-EDDY VALVE V.A.R.	SOUPAPE ANTI-DEPRESSION V.A.R.	VENTIL UNTERDRUCKFREI V.A.R.	VALVA ANTIRETUR V.A.R.
13	20251	SONDA LIVELLO TL 10/B L125 908600	TL 10/B L125 908600 LEVEL PROBE	JAUGE TL 10/B L125 908600	PEGELFÜHLER TL 10/B L125 908600	SONDA DE NIV.TL 10/B L125 908600
14	12154	GU CU 3/8 22x17x1.5	3/8 22x17x1.5 COPPER SEAL	JOINT CUIVRE 3/8 22x17x1.5	KUPFERDICHTUNG 3/8 22x17x1.5	GARN. DIN CUPRU 3/8 22x17x1.5
15	52001612	TBS.D-10 L.115 1>4GR DE 13 PES	TUBE D-10 L.115 1 4GR DE 13	TUYAU D-10 L.115 1 4GR DE 13	ROHR D-10 L.115 1 4GR DE 13	TUB D-10 L.115 1>4GR DE 13
16	25780	TAPPO MASCHIO OTTONE 1/4	BRASS MALE CAP 1/4	BOUCHON MALE LAITON 1/4	MESSING-STOPFEN 1/4	DOP DIN ALAMA PT. MASC. 1/4
17	15006001	FLANGIA GREENAMID 66 G50 H VALV.SIC.	FLANGE GREENAMID VALVE	JOINT GREENAMID VANNE	FLANSCH GREENAMID VENTIL	FLANSA GREENAMID PT.VALVA DE SIG
18	12300000	GU OR 3156 VITON x VALV.SIC.	O RING VITON	JOINT OR VITON	OR DICHTUNG VITON	GARN.OR.3156 PT.VALVA DE SIG.
19	20352	VALVOLA SICUREZZA *CE* + SIG.CMA	*CE* SAFETY VALVE	SOUPAPE DE SECURITE *CE*	SICHERHEITSVENTIL *CE*	VALVA DE SIGURANTA *CE*
20	56009980	ASS.PROT.VALVOLE SICUREZZA	UNIT PROTECTION VALVE	ENSEMBLE PROTECTION VANNE	SATZ-SCHUTZGITTER VENTIL	ANS. DE PROT.PT.VALVA DE SIG.
21	20306	TERMOSTATO SONDA NTC ES 13	THERMOSTAT NTC ES 13	THERMOSTAT NTC ES 13	TERMOSTAT NTC ES 13	TERMOSTAT NTC ES 13
22	25749003	RIDUZIONE 1/4M GAS-1/8F GAS NI	REDUCER 1/4M GAS -1/8F GAS NI	REDUCTEUR 1/4M GAS-1/8F GAS NI	REDUZIERER 1/4M GAS-1/8F GAS NI	RED. 1/4GAS-1/8F GAS NI
23	43070	RACC."L" 3/8F GAS CON. x 3/8M GAS	CONNECTOR L 3/8 GAS x 3/8 GAS	RACCORD L 3/8 GAZ x 3/8 GAZ	FITTING L 3/8 GAS x 3/8 GAS	RAC."L"3/8F GAS CU 3/8M GAS

IFM

INDICE - INDEX - SOMMAIRE - VERZEICHNIS-INDEX

rev.

IFM-40

IMPIANTO IDRAULICO AEP/1 - HYDRAULIC CIRCUIT AEP/1
CIRCUIT HYDRAULIQUE AEP/1 - WASSER ANLAGE AEP/1 - CIRCUIT HIDRAULIC AEP/1

00
12/2012

IFM-41

IMPIANTO IDRAULICO SAE/1 - HYDRAULIC CIRCUIT SAE/1
CIRCUIT HYDRAULIQUE SAE/1 - WASSER ANLAGE SAE/1 - CIRCUIT HIDRAULIC SAE/1

00
12/2012

IFM-42

IMPIANTO IDRAULICO AEP/2 - HYDRAULIC CIRCUIT AEP/2
CIRCUIT HYDRAULIQUE AEP/2 - WASSER ANLAGE AEP/2 - CIRCUIT HIDRAULIC AEP/2

00
12/2012

IFM-43

IMPIANTO IDRAULICO SAE/2 - HYDRAULIC CIRCUIT SAE/2
CIRCUIT HYDRAULIQUE SAE/2 - WASSER ANLAGE SAE/2 - CIRCUIT HIDRAULIC SAE/2

00
05/2012

IFM-44

IMPIANTO IDRAULICO AEP/3 - HYDRAULIC CIRCUIT AEP/3
CIRCUIT HYDRAULIQUE AEP/3 - WASSER ANLAGE AEP/3 - CIRCUIT HIDRAULIC AEP/3

00
12/2012

IFM-45

IMPIANTO IDRAULICO SAE/3 - HYDRAULIC CIRCUIT SAE/3
CIRCUIT HYDRAULIQUE SAE/3 - WASSER ANLAGE SAE/3 - CIRCUIT HIDRAULIC SAE/3

00
12/2012

IMPIANTO IDRAULICO

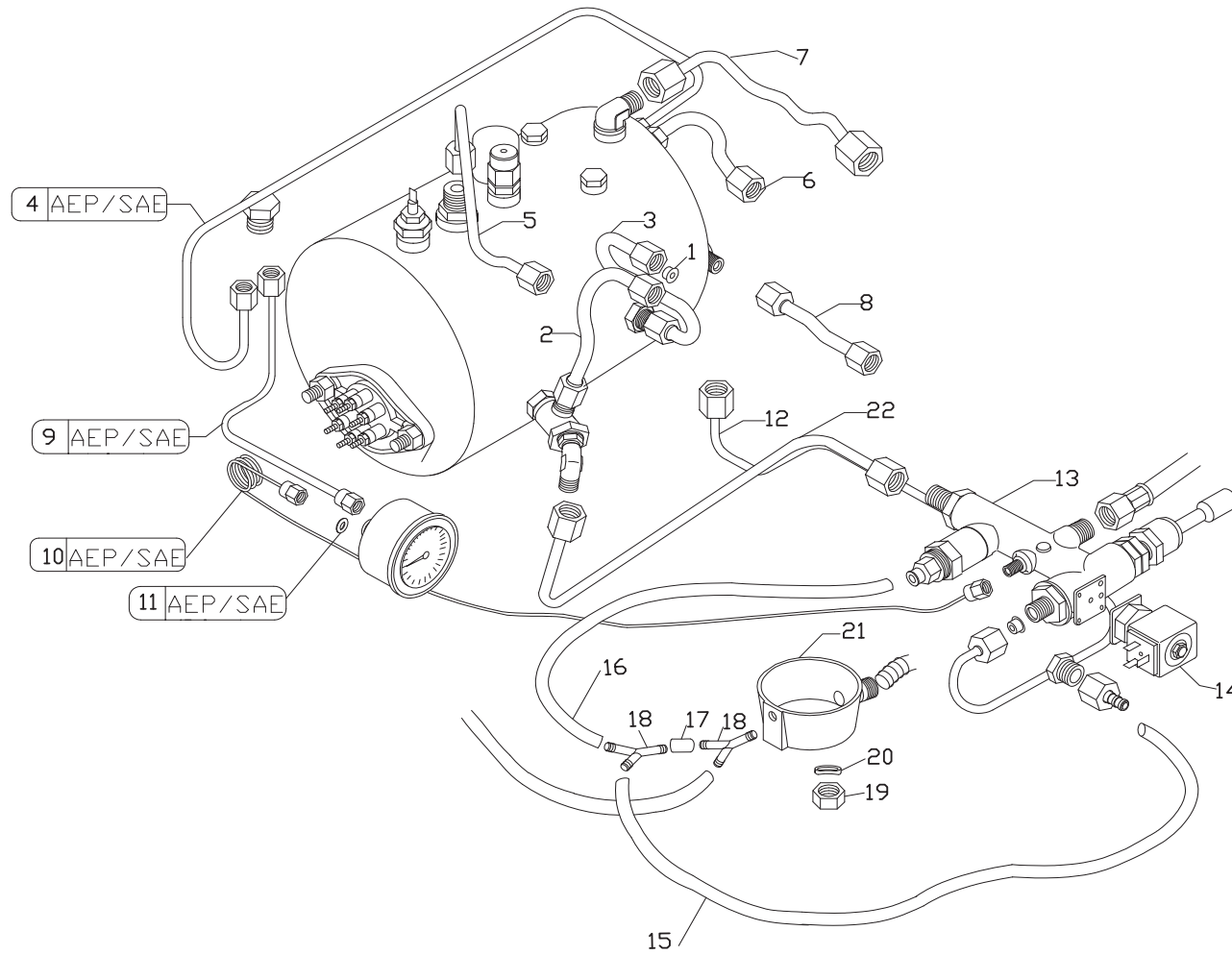
HYDRAULIC CIRCUIT

CIRCUIT HYDRAULIQUE

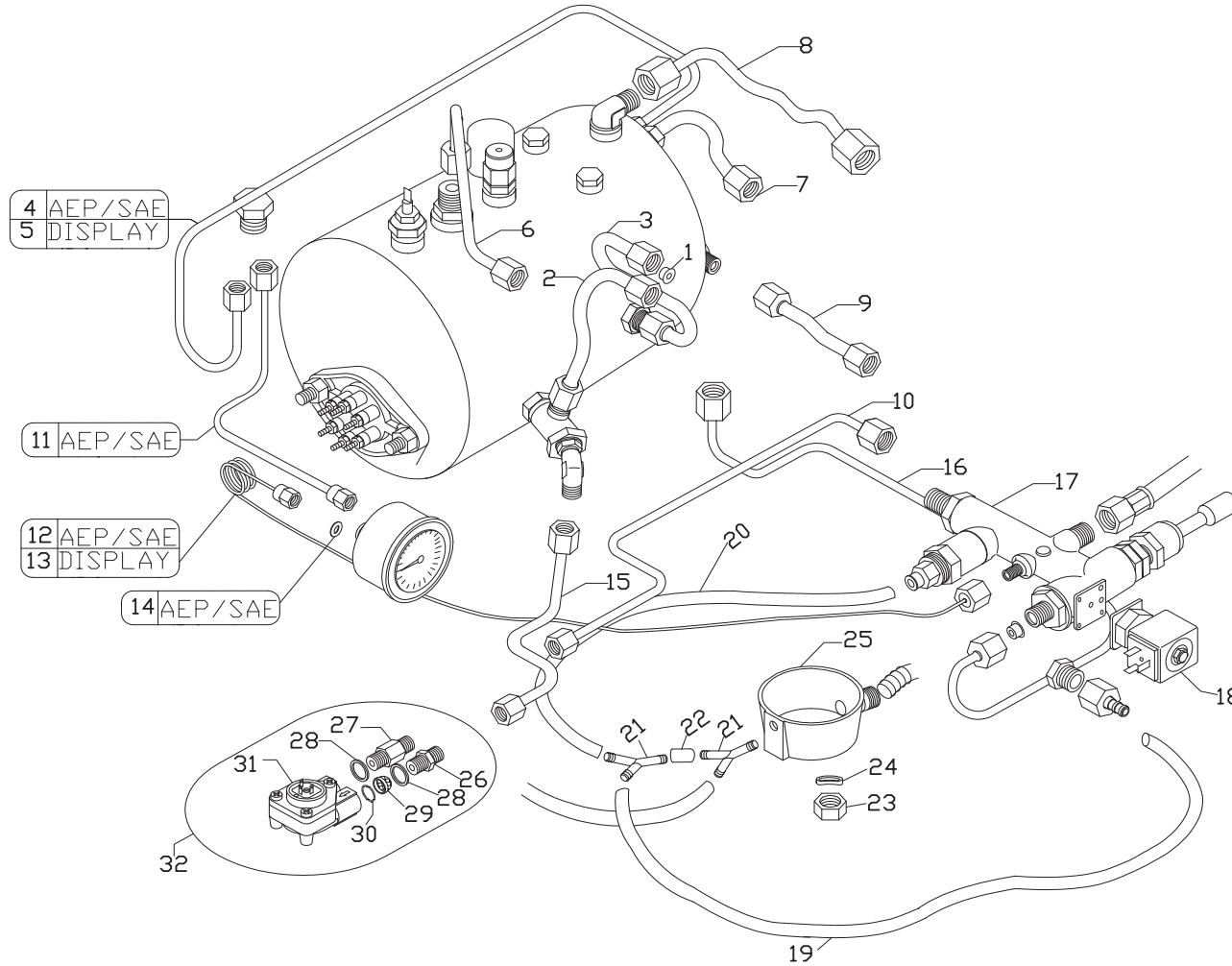
WASSER ANLAGE

CIRCUIT HIDRAULIC

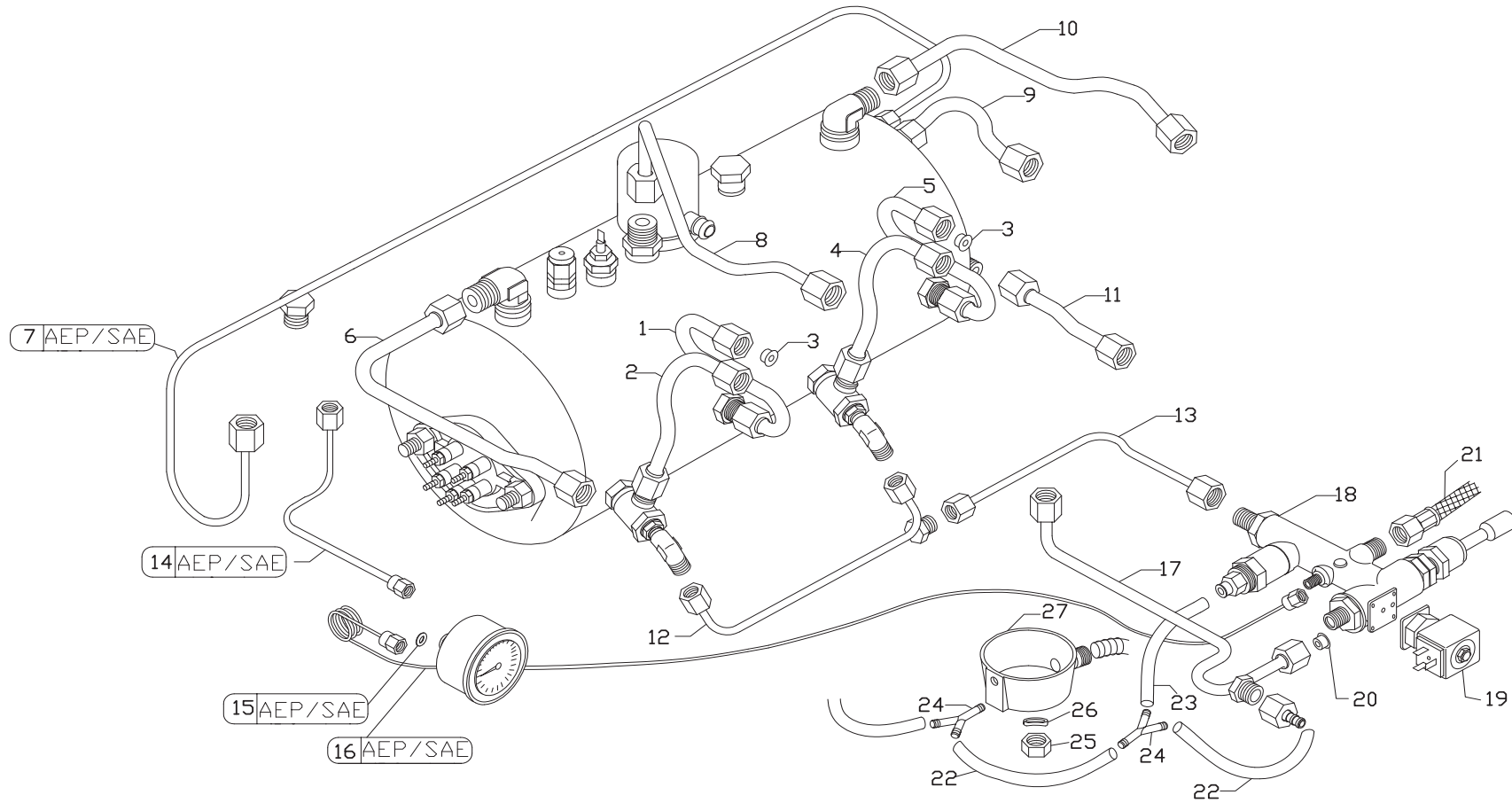
FORMA



Pos	Cod.	Denominazione - IT -	Denomination - GB -	Denomination - FR -	Denomination - DE -	Denumire - RO -
1	23294003	STROZZATURA RICIRCOLO GR CTS D 4	CTS UNIT D 4 RECIRC. NECK	ETRANGLEMENT RECYCLAGE GR.D.4	ENGSTELLE UMWZLUNG D. 4	JIGLER PT.CIRCULATIE APA GR CTS D.
2	52003422	TBS.D-10 L.160 TC 1GR W283 GRUPPO>CLD	TUBE D-10 L.160 TC 1GR W283	TUYAU D-10 L.160 TC1GR W283	ROHR D-10 L.160 TC 1GR W283	TUB D-10 L.160 TC 1GR W283
3	52003480	TBS.D-10 L.180 TC 1GR W400 GR>SC	TUBE D-10 L180 TOUCH 1GR W400 GR>SC	TUYAU D-10 L180 TOUCH 1GR W400	ROHR D-10 L180 TOUCH 1GR W400	TUB D-10 L180 TOUCH 1GR W400 GR>SC
4	52005009	TBS.D-6 L.500 1GR FM10 CLD>PRESSOSTATO	TUBE D-6 L.500 1GR FM10 MCE 011	TUYAU D-6 L.500 1GR FM10 MCE 011	ROHR D-6 L.500 1GR FM10 MCE 011	TUB D-6 L.500 1GR FM10 MCE 011 CAZ>PRES
5	52005007	TBS.D-8 L.290 AEP 1GR FM8 CLD > EV H2O	TUBE D-8 L.290 AEP 1GR FM8	TUYAU D-8 L.290 AEP 1GR FM8	ROHR D-8 L.290 AEP 1GR FM8	TUB D-8 L.290 AEP 1GR FM8 CAZ > EV H2O
6	52005012	TBS.D-10 L.140 FM13 CLD > LIV.SUP	TUBE D-10 L.140 FM13	TUYAU D-10 L.140 FM13	ROHR D-10 L.140 FM13	TUB D-10 L.140 FM13 CAZ>NIV.SUP
7	52005002	TBS.D-10 L.310 FM3 CLD>VAP.SX	TUBE D-10 L.310 FM3	TUYAU D-10 L.310 FM3	ROHR D-10 L.310 FM3	TUB D-10 L.310 FM3 CAZ>VAP.SX
8	52003424	TBS.D-10 L.103 TC 1GR W285 LIV.INF>CLD	TUBE D-10 L.103 TC 1GR W285	TUYAU D-10 L.103 TC 1GR W285	ROHR D-10 L.103 TC 1GR W285	TUB D-10 L.103 TC 1GR W285 NIV.INF>CAZ
9	52001437	TBS.D-4 L.435 1GR CTS AR 60 CA	TUBE D-4 L.435 1GR CTS AR 60 CA	TUYAU D-4 L.435 1GR CTS AR 60 CA	ROHR D-4 L.435 1GR CTS AR 60 CA	TUB D-4 L.435 1GR CTS AR 60 CA
10	52003056	TBS.D-2 L.500 1/8-1/8 GL214 CA.MANOM.	TUBE D-2 L.500 1/8-1/8 GL214	TUYAU D-2 L.500 1/8-1/8 GL214	ROHR D-2 L.500 1/8-1/8 GL214	TUB D-2 L.500 1/8-1/8 GL214
11	12155001	GUARNIZIONE CU 8.5x3.3x1	COPPER GASKET 8.5X3.3X1	JOINT CU 8.5X3.3X1	KUPFERDICHTUNG 8.5x3.3x1	GARNITURA DIN CUPRU 8.5X3.3X1
12	52004328	TBS.D-8 L600 1GR W351 W.ECO-10 DISTR> CLD	TUBE D-8 L600 1GR W351	TUYAU D-8 L600 1GR W351	ROHR D-8 L600 1GR W351	TUB D-8 L600 1GR W351 DISTR>CAZ
13	61016001	DISTRIBUTORE MULT.CARICO H2O C/W.ECO-10	WATER DISTRIBUTION BLOCK	DISTRIBUTEUR EAU	WASSER VERTEILER	DISTR.MULTIFUNC. H2O C/W.ECO-10
14	18159002	EL.AEA 220/240V 50-60Hz 125CR	SOL.VALVE 220/240V 50-60Hz	ELECTROVANNE 220/240V 50-60Hz	ELEKTROVENTIL 220/240V 50-60Hz	EL.AEA 220/240V 50-60Hz 125CR
15	15452125	TUBO SILICONE PLAT.D-6x9 L.400	SILICONE TUBE D-6x9 L.400	TUYAU SILICONE D-6x9 L.400	SILIKONROHR D-6x9 L.400	FURTUN DIN SILICON D-6x9 L.400
16	15452098	TUBO SILICONE PLATINICO 6x9 L.270	SILICONE TUBE D-6x9 L.270	TUYAU SILICONE D-6x9 L.270	SILIKONROHR D-6x9 L.270	FURTUN DIN SILICON D-6x9 L.270
17	15452127	TUBO SILICONE PLATINICO D6x9 L.40	SILICONE TUBE D6x9 L.40	TUYAU SILICONE D6x9 L.40	SILIKONROHR D6x9 L.40	FURTUN DE SILICON D6x9 L.40
18	15422010	RACC. "Y" POLIPROPILENE D-10	Y POLIPROPILENE FITTING D-10	RACCORD "Y" POLIPROPILENE D-10	ANSCHLUSS "Y" POLIPROPILENE D-10	RACORD IN FORMA DE "Y" DIN POLIPROPILENA D
19	23052	DADO OTTONE M10 UNI 5587	TOP BRASS NUT M10 UNI 5587	ECROU LAITON SUP.M10 UNI 5587	UNTER/MESSING MUTTER M10 UNI 5587	PIULITA DIN ALAMA M10 UNI 5587
20	23267	RONDELLA ELAST.ONDUL.D10 DIN137	ELASTIC WASHER D10 DIN137	RONDELLE ELASTIQUE D10 DIN137	ELASTISCHE SCHEIBE D10 DIN137	SAIBA ELASTICA OND.D10 DIN137
21	15502	VASCHETTA SCARICO ROTONDA D 80mm	ROUND DRAIN BASIN D.80mm	CUVE A VIDANGER RONDE D.80mm	RUNDE ABFLUSSCHALE D.80mm	VAS DE SCURGERE ROTUND D.80mm
22	52004356	TBS.D-6 L.300 AEP/1 AR164 TANYA	TUBE D-6 L.300 AEP/1 AR164 TANYA	TUYAU D-6 L.300 AEP/1 AR164 TANYA	ROHR D-6 L.300 AEP/1 AR164 TANYA	TUB D-6 L.300 AEP/1 AR164 TANYA

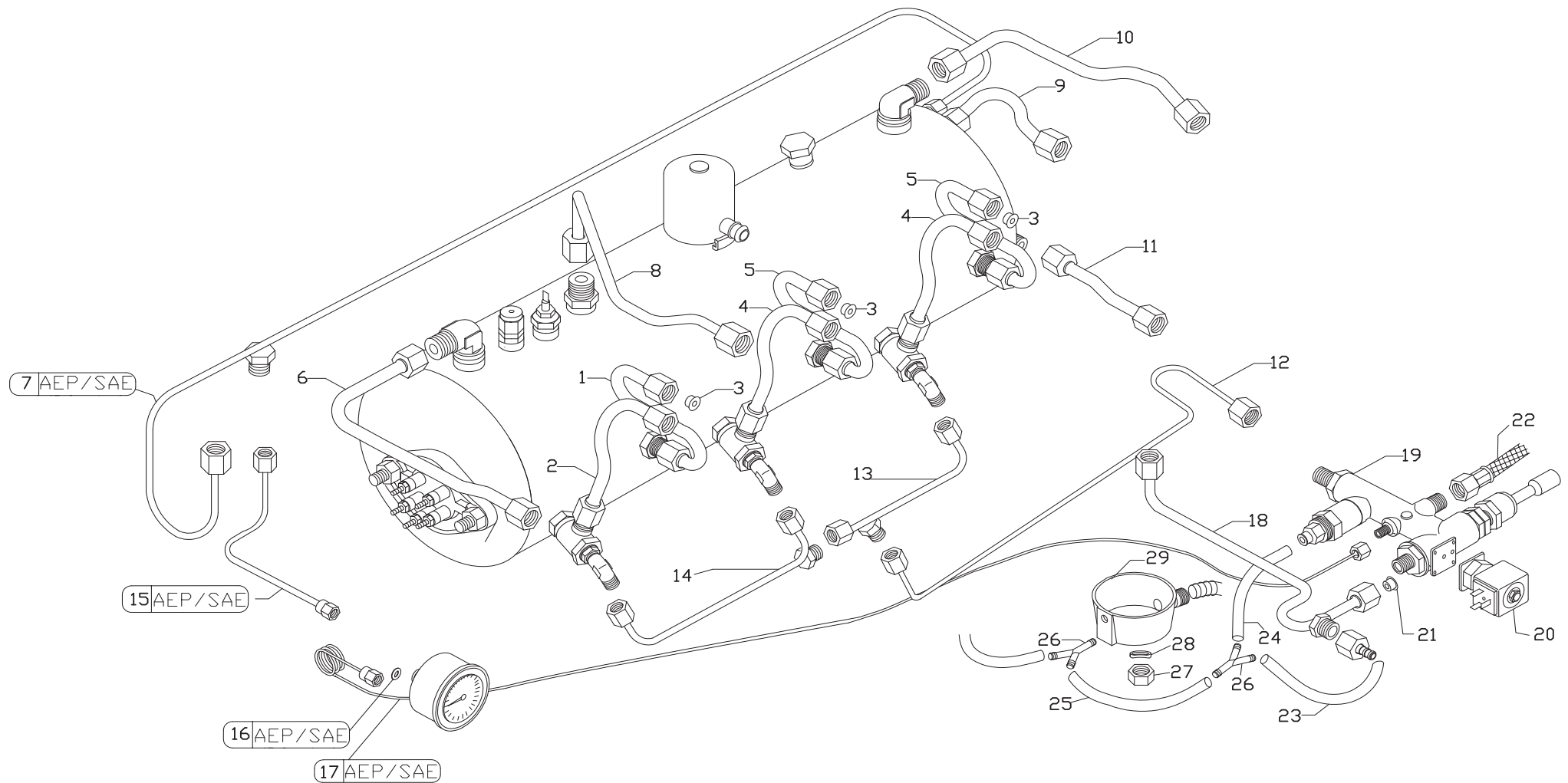


PosCod.	Denominazione - IT -	Denomination - GB -	Denomination - FR -	Denomination - DE -	Denumire - RO -
1	23294003 STROZZATURA RICIRCOLO GR CTS D 4	CTS UNIT D 4 RECIRC. NECK	ETRANGLEMENT RECYCLAGE GR.D.4	ENGSTELLE UMWZLUNG D. 4	JIGLER PT.CIRCULATIE APA GR CTS D.
2	52003422 TBS.D-10 L.160 TC 1GR W283 GRUPPO>CLD	TUBE D-10 L.160 TC 1GR W283	TUYAU D-10 L.160 TC1GR W283	ROHR D-10 L.160 TC 1GR W283	TUB D-10 L.160 TC 1GR W283
3	52003480 TBS.D-10 L.180 TC 1GR W400 GR>SC	TUBE D-10 L180 TOUCH 1GR W400 GR>SC	TUYAU D-10 L180 TOUCH 1GR W400	ROHR D-10 L180 TOUCH 1GR W400	TUB D-10 L180 TOUCH 1GR W400 GR>SC
4	52005009 TBS.D-6 L.500 1GR FM10 CLD>PRESSOSTATO	TUBE D-6 L.500 1GR FM10 MCE 011	TUYAU D-6 L.500 1GR FM10 MCE 011	ROHR D-6 L.500 1GR FM10 MCE 011	TUB D-6 L.500 1GR FM10 MCE 011 CAZ>PRES
5	52005008 TBS.D-6 L.500 1GR+DSP FM9 CLD > PRESSOSTAT	TUBE D-6 L.500 1GR+DSP FM9	TUYAU D-6 L.500 1GR+DSP FM9	ROHR D-6 L.500 1GR+DSP FM9	TUB D-6 L.500 1GR+DSP FM9
6	52005018 TBS.D-8 L.220 1GR FM19 CLD> EV H2O	TUBE D-8 L.220 1GR FM19	TUYAU D-8 L.220 1GR FM19	ROHR D-8 L.220 1GR FM19	TUB D-8 L.220 1GR FM19
7	52005012 TBS.D-10 L.140 FM13 CLD > LIV.SUP	TUBE D-10 L.140 FM13	TUYAU D-10 L.140 FM13	ROHR D-10 L.140 FM13	TUB D-10 L.140 FM13 CAZ>NIV.SUP
8	52005002 TBS.D-10 L.310 FM3 CLD>VAP.SX	TUBE D-10 L.310 FM3	TUYAU D-10 L.310 FM3	ROHR D-10 L.310 FM3	TUB D-10 L.310 FM3 CAZ>VAP.SX
9	52003424 TBS.D-10 L.103 TC 1GR W285 LIV.INF>CLD	TUBE D-10 L.103 TC 1GR W285	TUYAU D-10 L.103 TC 1GR W285	ROHR D-10 L.103 TC 1GR W285	TUB D-10 L.103 TC 1GR W285 NIV.INF>CAZ
10	52005010 TBS.D-6 L.380 1GR FM11 DISTR>DOSATORE	TUBE D-6 L.380 1GR FM11	TUYAU D-6 L.380 1GR FM11	ROHR D-6 L.380 1GR FM11	TUB D-6 L.380 1GR FM11 DISTR>DOZATOR
11	52001437 TBS.D-4 L.435 1GR CTS AR 60 CA	TUBE D-4 L.435 1GR CTS AR 60 CA	TUYAU D-4 L.435 1GR CTS AR 60 CA	ROHR D-4 L.435 1GR CTS AR 60 CA	TUB D-4 L.435 1GR CTS AR 60 CA
12	52003055 TBS.D-2 L.500 1/4-1/8 GL213 CA.MANOM	TUBE D-2 L.500 1/4-1/8 GL213	TUYAU D-2 L.500 1/4-1/8 GL213	ROHR D-2 L.500 1/4-1/8 GL213	TUB D-2 L.500 1/4-1/8 GL213
13	52003056 TBS.D-2 L.500 1/8-1/8 GL214 CA.MANOM.	TUBE D-2 L.500 1/8-1/8 GL214	TUYAU D-2 L.500 1/8-1/8 GL214	ROHR D-2 L.500 1/8-1/8 GL214	TUB D-2 L.500 1/8-1/8 GL214
14	12155001 GUARNIZIONE CU 8.5x3.3x1	COPPER GASKET 8.5X3.3X1	JOINT CU 8.5X3.3X1	KUPFERDICHTUNG 8.5x3.3x1	GARNITURA DIN CUPRU 8.5X3.3X1
15	52003451 TBS.D-6 L.220 TC 1GR CLD>DOSATORE	TUBE D-6 L.220 TC 1GR	TUYAU D-6 L.220 TC 1GR	ROHR D-6 L.220 TC 1GR	TUB D-6 L.220 TC 1GR CAZ>DOZATOR
16	52004328 TBS.D-8 L600 1GR W351 W.ECO-10 DISTR> CLD	TUBE D-8 L600 1GR W351	TUYAU D-8 L600 1GR W351	ROHR D-8 L600 1GR W351	TUB D-8 L600 1GR W351 DISTR>CAZ
17	61016001 DISTRIBUTORE MULT.CARICO H2O C/W.ECO-10	WATER DISTRIBUTION BLOCK	DISTRIBUTEUR EAU	WASSER VERTEILER	DISTR.MULTIFUNC. H2O C/W.ECO-10
18	18159002 EL.AEA 220/240V 50-60Hz 125CR	SOL.VALVE 220/240V 50-60Hz	ELECTROVANNE 220/240V 50-60Hz	ELEKTROVENTIL 220/240V 50-60Hz	EL.AEA 220/240V 50-60Hz 125CR
19	15452125 TUBO SILICONE PLAT.D-6x9 L.400	SILICONE TUBE D-6x9 L.400	TUYAU SILICONE D-6x9 L.400	SILIKONROHR D-6x9 L.400	FURTUN DIN SILICON D-6x9 L.400
20	15452098 TUBO SILICONE PLATINICO 6x9 L.270	SILICONE TUBE D-6x9 L.270	TUYAU SILICONE D-6x9 L.270	SILIKONROHR D-6x9 L.270	FURTUN DIN SILICON D-6x9 L.270
21	15422010 RACC. "Y" POLIPROPILENE D-10	Y POLIPROPILENE FITTING D-10	RACCORD "Y" POLIPROPILENE D-10	ANSCHLUSS "Y" POLIPROPILENE D-10	RACORD IN FORMA DE "Y" DIN POLIPROPILENA D
22	15452127 TUBO SILICONE PLATINICO D6x9 L.40	SILICONE TUBE D6x9 L.40	TUYAU SILICONE D6x9 L.40	SILIKONROHR D6x9 L.40	FURTUN DE SILICON D6x9 L.40
23	23052 DADO OTTONE M10 UNI 5587	TOP BRASS NUT M10 UNI 5587	ECROU LAITON SUP.M10 UNI 5587	UNTER/MESSING MUTTER M10 UNI 5587	PIULITA DIN ALAMA M10 UNI 5587
24	23267 RONDELLA ELAST.ONDUL.D10 DIN137	ELASTIC WASHER D10 DIN137	RONDELLE ELASTIQUE D10 DIN137	ELASTISCHE SCHEIBE D10 DIN137	SAIBA ELASTICA OND.D10 DIN137
25	15502 VASCHETTA SCARICO ROTONDA D 80mm	ROUND DRAIN BASIN D.80mm	CUVE A VIDANGER RONDE D.80mm	RUNDE ABFLUSSCHALE D.80mm	VAS DE SCURGERE ROTUND D.80mm
26	25686 RACC.1/4x1/4 FLANGIA	CONNECTION 1/4x1/4 FITING	RACCORD 1/4x1/4 BRIDE	ANSCHLUSS 1/4x1/4 FLANSCH	RACORD 1/4x1/4
27	25708 RACC.1/4x1/4 GRUPPO LEVETTA	CONNECTION 1/4x1/4 GTROUPS	RACCORD 1/4x1/4 GROUPE	ANSCHLUSS 1/4x1/4 GRUPPEN	RACORD 1/4x1/4 GRUP
28	12153 GU CU 1/4 17x13.3x1.5	GASKET 1/4 17x13.3x1.5 COPPER	JOINT CUIVRE 1/4 17x13.3x1.5	KUPFERDICHTUNG 1/4 17x13.3x1.5	GARNITURA DIN CUPRU 1/4 17X13.3X1.5.
29	10254 FILTRO ACCIAIO 160-200 MESH	STEEL FILTER 160-200 MESH	FILTRE EN ACIER 160-200 MESH	STAHLFILTER 160-200 MESH	FILTRU DIN OTEL 160-200 MESH.
30	12329 GU OR 2031 VITON 7.66xW1.78 H2O D.E	GASKET OR HNBR 7.66xW1.78	JOINT OR HNBR 7.66x1.78	OR DICHTUNG HNBR 7.66xW1.78	GARNITURA DIN CAUCIUC 7.66xW1.78
31	18126 DOSATORE FLOWMETER FH 12 909602	FLOWMETER DOSER FH 12 909602	DOSEUR FLOWMETER FH 12 909602	DOSIERER FLOWMETER FH 12 909602	DOZATOR VOLUMETRIC FH 12 909602.
32	56122000 ASSIEME DOSATORE	DOSEUR KIT	ENSEMBLE DOSEUR	UNTER DOSIERER	ANSAMBLU DOZATOR VOLUMETRIC

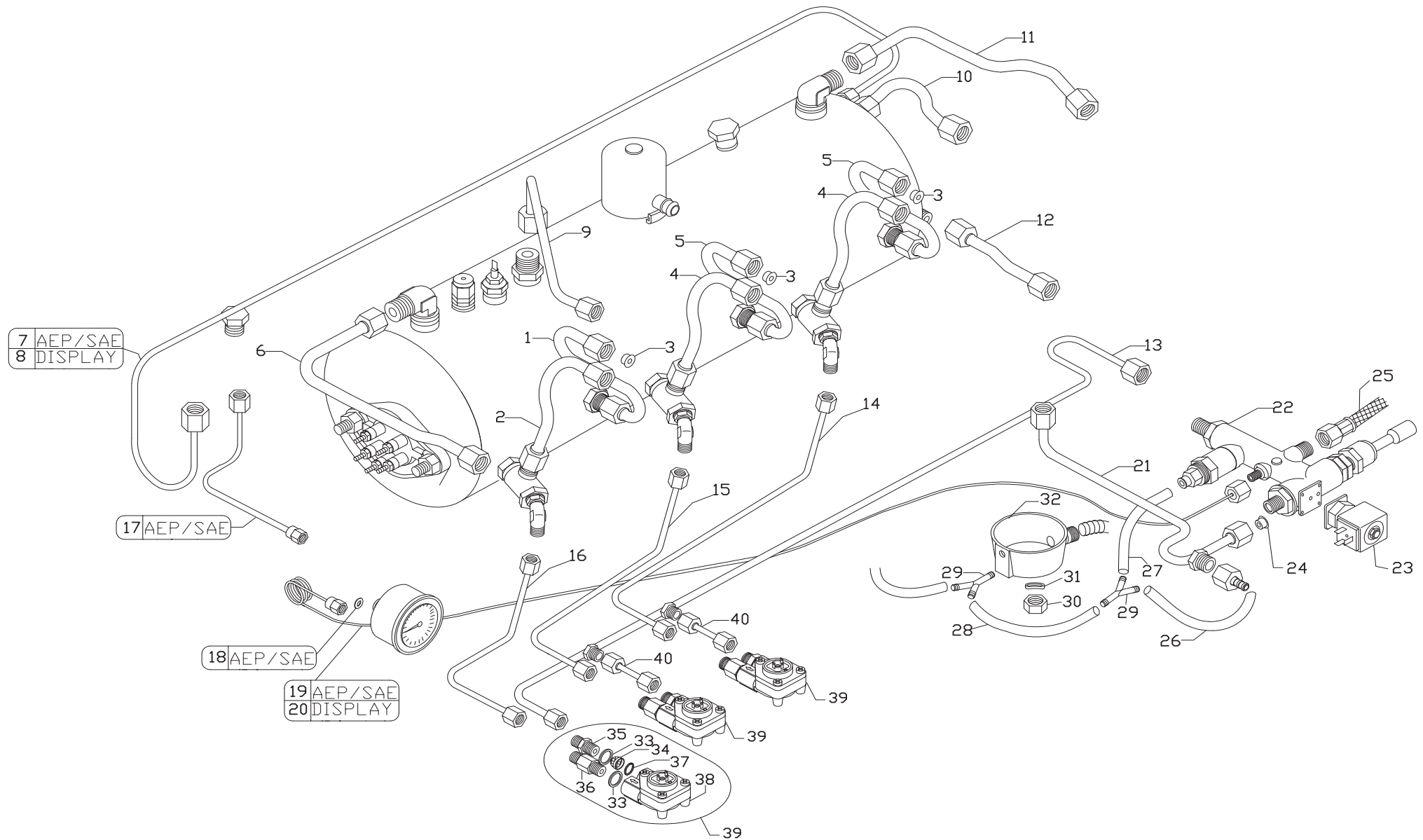


Pos	Cod.	Denominazione - IT -	Denomination - GB -	Denomination - FR -	Denomination - DE -	Denumire - RO -
1	52005004	TBS.D-10 L.230 FM5 MCE 011 SCA.INT>GR.DX	TUBE D-10 L.230 FM5	TUYAU D-10 L.230 FM5	ROHR D-10 L.230 FM5	TUB D-10 L.230 FM5
2	52000272	TBS.D-10 L.135 DV73 SCAMBIATOR	D-10 L135 PIPE DV 73	TUYAU D-10 L.135 DV 73	ROHR D. 10 L.135 DV 73	TUB D-10 L.135 DV73 SCHIMBATOR
3	23294003	STROZZATURA RICIRCOLO GR CTS D 4	CTS UNIT D 4 RECIRC. NECK	ETRANGLEMENT RECYCLAGE GR.D.4	ENGSTELLE UMWLZUNG D. 4	JIGLER PT.CIRCULATIE APA GR CTS D 4
4	52000245	TBS.D-10 L.165 DV46 SCAMBIATOR	D-10 L165 PIPE DV 46	TUYAU D-10 L.165 DV 46	ROHR D. 10 L.165 DV 46	TUB D-10 L.165 DV46 SCHIMBATOR
5	52005005	TBS.D-10 L.210 FM6 SCAMBIATORE INT. > GRUPP	TUBE D-10 L.210 FM6	TUYAU D-10 L.210 FM6	ROHR D-10 L.210 FM6	TUB D-10 L.210 FM6
6	52005003	TBS.D-10 L.280 FM4 CLD>VAP.DX	TUBE D-10 L.280 FM4	TUYAU D-10 L.280 FM4	ROHR D-10 L.280 FM4	TUB D-10 L.280 FM4 CAZ>VAP.DR
7	52004323	TBS.D-6 L.780 2GR W348 W.ECO-10 PRESS-MAN.>	TUBE D-6 L.780 2GR W348 W.ECO-10	TUYAU D-6 L.780 2GR W348 W.ECO-10	ROHR D-6 L.780 2GR W348 W.ECO-10	TUB D-6 L.780 2GR W348 W.ECO-10
8	52003019	TBS.D-10 L.315 AEP 2-3GR FM20 CLD>EV H2O	TUBE D-10 L.315 AEP 2-3GR FM20	TUYAU D-10 L.315 AEP 2-3GR FM20	ROHR D-10 L.315 AEP 2-3GR FM20	TUB D-10 L.315 AEP 2-3GR FM20 CAZ>EV H2O
9	52005001	TBS.D-10 L.135 FM2 CLD>LIV.SUP	TUBE D-10 L.135 FM2	TUYAU D-10 L.135 FM2	ROHR D-10 L.135 FM2	TUB ROHR D-10 L.135 FM2
10	52005011	TBS.D-10 L.320 2-3GR FM12 CLD>VAP.SX	TUBE D-10 L.320 2-3GR FM12	TUYAU D-10 L.320 2-3GR FM12	ROHR D-10 L.320 2-3GR FM12	TUB D-10 L.320 2-3GR FM12 CAZAN>VAP.STG
11	52003424	TBS.D-10 L.103 TC 1GR W285 LIV.INF>CLD	TUBE D-10 L.103 TC 1GR W285	TUYAU D-10 L.103 TC 1GR W285	ROHR D-10 L.103 TC 1GR W285	TUB D-10 L.103 TC 1GR W285 NIV.INF>CAZ
12	52003014	TBS.D-6 L.245 2>4GR SP 15INIET	TUBE D-6 L.245 SP15	TUYAU D-6 L.245 SP15	ROHR D-6 L.245 SP15	TUB D-6 L.245 2>4GR
13	52004355	TBS.D-6 L.200 AEP/2 AR163 TANYA DISTR.>ENTR.:	TUBE D-6 L.200 AEP/2 AR163 TANYA	TUYAU D-6 L.200 AEP/2 AR163 TANYA	ROHR D-6 L.200 AEP/2 AR163 TANYA	TUB D-6 L.200 AEP/2 AR163 TANYA
14	52001437	TBS.D-4 L.435 1GR CTS AR 60 CA	TUBE D-4 L.435 1GR CTS AR 60 CA	TUYAU D-4 L.435 1GR CTS AR 60 CA	ROHR D-4 L.435 1GR CTS AR 60 CA	TUB D-4 L.435 1GR CTS AR 60 CA
15	12155001	GUARNIZIONE CU 8.5x3.3x1	COPPER GASKET 8.5X3.3X1	JOINT CU 8.5X3.3X1	KUPFERDICHTUNG 8.5x3.3x1	GARNITURA DIN CUPRU 8.5X3.3X1
16	52003058	TBS.D-2 L.1000 1/8-1/8 GL216 CAPILLARE MANOME	TUBE D-2 L.1000 1/8-1/8 GL216	TUYAU D-2 L.1000 1/8-1/8 GL216	ROHR D-2 L.1000 1/8-1/8 GL216	TUB D-2 L.1000 1/8-1/8 GL216
17	52004313	TBS.D-8 L395 2/3GR AR145 TANYA DIST>CLD	TUBE D-8 L395 2/3GR AR145 TANYA	TUYAU D-8 L395 2/3GR AR145 TANYA	ROHR D-8 L395 2/3GR AR145 TANYA	TUB D-8 L395 2/3GR AR145 TANYA
18	61016001	DISTRIBUTORE MULT.CARICO H2O C/W.ECO-10	WATER DISTRIBUTION BLOCK	DISTRIBUTEUR EAU	WASSER VERTEILER	DISTR.MULTIFUNC. H2O C/W.ECO-10
19	18159002	EL.AEA 220/240V 50-60Hz 125CR	SOL.VALVE 220/240V 50-60Hz	ELECTROVANNE 220/240V 50-60Hz	ELEKTROVENTIL 220/240V 50-60Hz	EL.AEA 220/240V 50-60Hz 125CR
20	23293012	STROZZATURA PER A.E.A. D1.2 MACCHINA ECO-1	NECK A.E.A D-1.2	ETRANGLEMENT A.E.A D-1.2	UMWALZUNG A.E.A D-1.2	JIGLER A.E.A. D1.2 MASINA ECO-10
21	30404	TUBOFLEX 3/8FF P.GOMMA CON. L45 Ni	FLEX PIPE 3/8 L45 CONICAL	TUYAU FLEX 3/8 FF L45	SCHLAUCH 3/8 AUFNAHMETÜR L45 GUMMI KONI	TUB FLEXIBIL 3/8FF L45 Ni.
22	15452112	TUBO SILICONE PLATINICO 6x9 L.140	SILICON TUBE D-6x9 L.140	TUYAU SILICONE D-6x9 L.140	SILIKONROHR D-6x9 L.140	FURTUN DE SILICON D-6x9 L.140
23	15452113	TUBO SILICONE PLAT.D-6x9 L.195	SILICONE TUBE D-6x9 L.195	TUYAU SILICONE D-6x9 L.195	SILIKONROHR D-6x9 L.195	FURTUN DE SILICON D-6x9 L.195
24	15422010	RACC. "Y" POLIPROPILENE D-10	Y POLIPROPILENE FITTING D-10	RACCORD "Y" POLIPROPILENE D-10	ANSCHLUSS "Y" POLIPROPILENE D-10	RACORD IN FORMA DE "Y" DIN POLIPROPILENA D
25	23052	DADO OTTONE M10 UNI 5587	TOP BRASS NUT M10 UNI 5587	ECROU LAITON SUP.M10 UNI 5587	UNTER/MESSING MUTTER M10 UNI 5587	PIULITA DIN ALAMA M10 UNI 5587
26	23267	RONDELLA ELAST.ONDUL.D10 DIN137	ELASTIC WASHER D10 DIN137	RONDELLE ELASTIQUE D10 DIN137	ELASTISCHE SCHEIBE D10 DIN137	SAIBA ELASTICA OND.D10 DIN137
27	15502	VASCHETTA SCARICO ROTONDA D 80mm	ROUND DRAIN BASIN D.80mm	CUVE A VIDANGER RONDE D.80mm	RUNDE ABFLUSSCHALE D.80mm	VAS DE SCURGERE ROTUND D.80mm

Pos Cod.	Denominazione - IT -	Denomination - GB -	Denomination - FR -	Denomination - DE -	Denumire - RO -
1	52005004 TBS.D-10 L.230 FM5 MCE 011 SCA.INT>GR.DX	TUBE D-10 L.230 FM5	TUYAU D-10 L.230 FM5	ROHR D-10 L.230 FM5	TUB D-10 L.230 FM5
2	52000272 TBS.D-10 L.135 DV73 SCAMBIATOR	D-10 L135 PIPE DV 73	TUYAU D-10 L.135 DV 73	ROHR D. 10 L.135 DV 73	TUB D-10 L.135 DV73 SCHIMBATOR
3	23294003 STROZZATURA RICIRCOLO GR CTS D 4	CTS UNIT D 4 RECIRC. NECK	ETRANGLEMENT RECYCLAGE GR.D.4	ENGSTELLE UMWULZUNG D. 4	JIGLER PT.CIRCULATIE APA GR CTS D 4
4	52000245 TBS.D-10 L.165 DV46 SCAMBIATOR	D-10 L165 PIPE DV 46	TUYAU D-10 L.165 DV 46	ROHR D. 10 L.165 DV 46	TUB D-10 L.165 DV46 SCHIMBATOR
5	52005005 TBS.D-10 L.210 FM6 SCAMBIATORE INT. > GRUPPO	TUBE D-10 L.210 FM6	TUYAU D-10 L.210 FM6	ROHR D-10 L.210 FM6	TUB D-10 L.210 FM6
6	52005003 TBS.D-10 L.280 FM4 CLD>VAP.DX	TUBE D-10 L.280 FM4	TUYAU D-10 L.280 FM4	ROHR D-10 L.280 FM4	TUB D-10 L.280 FM4 CAZ>VAP.DR
7	52004323 TBS.D-6 L.780 2GR W348 W.ECO-10 PRESS-MAN.>	TUBE D-6 L.780 2GR W348 W.ECO-10	TUYAU D-6 L.780 2GR W348 W.ECO-10	ROHR D-6 L.780 2GR W348 W.ECO-10	TUB D-6 L.780 2GR W348 W.ECO-10
8	52005006 TBS.D-6 L.780 2GR FM7 PRESS>CLD	TUBE D-6 L.780 2GR FM7	TUYAU D-6 L.780 2GR FM7	ROHR D-6 L.780 2GR FM7	TUB D-6 L.780 2GR FM7 PRESOSTAT>CAZAN
9	52005000 TBS.D-8 L.300 2-3GR FM CLD>EV H2O	TUBE D-8 L.300 2-3GR FM	TUYAU D-8 L.300 2-3GR FM	ROHR D-8 L.300 2-3GR FM	TUB D-8 L.300 2-3GR FM CAZAN>EV H2O
10	52005001 TBS.D-10 L.135 FM2 CLD>LIV.SUP	TUBE D-10 L.135 FM2	TUYAU D-10 L.135 FM2	ROHR D-10 L.135 FM2	TUB ROHR D-10 L.135 FM2
11	52005011 TBS.D-10 L.320 2-3GR FM12 CLD>VAP.SX	TUBE D-10 L.320 2-3GR FM12	TUYAU D-10 L.320 2-3GR FM12	ROHR D-10 L.320 2-3GR FM12	TUB D-10 L.320 2-3GR FM12 CAZAN>VAP.STG
12	52003424 TBS.D-10 L.103 TC 1GR W285 LIV.INF>CLD	TUBE D-10 L.103 TC 1GR W285	TUYAU D-10 L.103 TC 1GR W285	ROHR D-10 L.103 TC 1GR W285	TUB D-10 L.103 TC 1GR W285 NIV.INF>CAZ
13	52004304 TBS.D-6 L.560 2GR W337 C/W.ECO	TUBE D-6 L.560 2GR W337 C/W.ECO	TUYAU D-6 L.560 2GR W337 C/W.ECO	ROHR D-6 L.560 2GR W337 C/W.ECO	TUB D-6 L.560 2GR W337 C/W.ECO
14	52004324 TUB.D-6 L.100 2/3GR W349 C/W.E DOS.DX	TUBE D-6 L.100 2/3GR W349 C/W.E	TUYAU D-6 L.100 2/3GR W349 C/W.E	ROHR D-6 L.100 2/3GR W349 C/W.E	TUB D-6 L.100 2/3GR W349 C/W.E DOZ.DR
15	52001437 TBS.D-4 L.435 1GR CTS AR 60 CA	TUBE D-4 L.435 1GR CTS AR 60 CA	TUYAU D-4 L.435 1GR CTS AR 60 CA	ROHR D-4 L.435 1GR CTS AR 60 CA	TUB D-4 L.435 1GR CTS AR 60 CA
16	12155001 GUARNIZIONE CU 8.5x3.3x1	COPPER GASKET 8.5X3.3X1	JOINT CU 8.5X3.3X1	KUPFERDICHTUNG 8.5x3.3x1	GARNITURA DIN CUPRU 8.5X3.3X1
17	52003058 TBS.D-2 L.1000 1/8-1/8 GL216 CAPILLARE MANOME	TUBE D-2 L.1000 1/8-1/8 GL216	TUYAU D-2 L.1000 1/8-1/8 GL216	ROHR D-2 L.1000 1/8-1/8 GL216	TUB D-2 L.1000 1/8-1/8 GL216
18	52003057 TBS.D-2 L.1000 1/4-1/8 GL215 CAPILLARE MANOME	TUBE D-2 L.1000 1/4-1/8 GL215	TUYAU D-2 L.1000 1/4-1/8 GL215	ROHR D-2 L.1000 1/4-1/8 GL215	TUB D-2 L.1000 1/4-1/8 GL215
19	52000403 TUB.D-6 L.310 SAE/2 GL4 DOS.SX>INIETTORE SX	TUBE D-6 L.310 SAE/2 GL4	TUYAU D-6 L.310 SAE/2 GL4	ROHR D-6 L.310 SAE/2 GL4	TUB D-6 L.310 SAE/2 GL4 DOS.STG>INJECTOR ST
20	52000402 TUB.D-6 L.395 SAE/2 GL3 DOS.DX>INIETTORE DX	TUBE D-6 L.395 SAE/2 GL3	TUYAU D-6 L.395 SAE/2 GL3	ROHR D-6 L.395 SAE/2 GL3	TUB D-6 L.395 SAE/2 GL3 DOS.DR>INJECTOR DR
21	52004313 TBS.D-8 L395 2/3GR AR145 TANYA DIST>CLD	TUBE D-8 L395 2/3GR AR145 TANYA	TUYAU D-8 L395 2/3GR AR145 TANYA	ROHR D-8 L395 2/3GR AR145 TANYA	TUB D-8 L395 2/3GR AR145 TANYA
22	61016001 DISTRIBUTORE MULT.CARICO H2O C/W.ECO-10	WATER DISTRIBUTION BLOCK	DISTRIBUTEUR EAU	WASSER VERTEILER	DISTR.MULTIFUNC. H2O C/W.ECO-10
23	18159002 EL.AEA 220/240V 50-60Hz 125CR	SOL.VALVE 220/240V 50-60Hz	ELECTROVANNE 220/240V 50-60Hz	ELEKTROVENTIL 220/240V 50-60Hz	EL.AEA 220/240V 50-60Hz 125CR
24	23293012 STROZZATURA PER A.E.A. D1.2 MACCHINA ECO-1	NECK A.E.A D-1.2	ETRANGLEMENT A.E.A D-1.2	UMWALZUNG A.E.A D-1.2	JIGLER A.E.A. D1.2 MASINA ECO-10
25	30404 TUBOFLEX 3/8FF P.GOMMA CON. L45 Ni	FLEX PIPE 3/8 L45 CONICAL	TUYAU FLEX 3/8 FF L45	SCHLAUCH 3/8 AUFNAHMETÜR L45 GUMMI KONI	TUB FLEXIBIL 3/8FF L45 Ni.
26	15452112 TUBO SILICONE PLATINICO 6x9 L.140	SILICON TUBE D-6x9 L.140	TUYAU SILICONE D-6x9 L.140	SILIKONROHR D-6x9 L.140	FURTUN DE SILICON D-6x9 L.140
27	15452113 TUBO SILICONE PLAT.D-6x9 L.195	SILICONE TUBE D-6x9 L.195	TUYAU SILICONE D-6x9 L.195	SILIKONROHR D-6x9 L.195	FURTUN DE SILICON D-6x9 L.195
28	15422010 RACC. "Y" POLIPROPILENE D-10	Y POLIPROPILENE FITTING D-10	RACCORD "Y" POLIPROPILENE D-10	ANSCHLUSS "Y" POLIPROPILENE D-10	RACORD IN FORMA DE "Y" DIN POLIPROPILENA D
29	23052 DADO OTTONE M10 UNI 5587	TOP BRASS NUT M10 UNI 5587	ECROU LAITON SUP.M10 UNI 5587	UNTER/MESSING MUTTER M10 UNI 5587	PIULITA DIN ALAMA M10 UNI 5587
30	23267 RONDELLA ELAST.ONDUL.D10 DIN137	ELASTIC WASHER D10 DIN137	RONDELLE ELASTIQUE D10 DIN137	ELASTISCHE SCHEIBE D10 DIN137	SAIBA ELASTICA OND.D10 DIN137
31	15502 VASCHETTA SCARICO ROTONDA D 80mm	ROUND DRAIN BASIN D.80mm	CUVE A VIDANGER RONDE D.80mm	RUNDE ABFLUSSCHALE D.80mm	VAS DE SCURGERE ROTUND D.80mm
32	25686 RACCORDO 1/4x1/4 FLANGIA	CONNECTOR 1/4 x 1/4	RACCORD 1/4 x 1/4	ANSCHLUSS 1/4x1/4	RACORD 1/4X1/4 FLANSA
33	25708 RACC.1/4x1/4 GRUPPO LEVETTA	CONNECTOR 1/4x1/4 FITTING	RACCORD 1/4x1/4	ANSCHLUSS 1/4x1/4	RACORD 1/4X1/4
34	12153 GU CU 1/4 17x13.3x1.5	GASKET 1/4 17x13.3x1.5 COPPER	JOINT CUIVRE 1/4 17x13.3x1.5	KUPFERDICHTUNG 1/4 17x13.3x1.5	GARNITURA DIN CUPRU 1/4 17X13.3X1.5.
35	10254 FILTRO ACCIAIO 160-200 MESH	STEEL FILTER 160-200 MESH	FILTRE EN ACIER 160-200 MESH	STAHLFILTER 160-200 MESH	FILTRU DIN OTEL 160-200 MESH.
36	12329 GUARNIZIONE OR HNBR 7.66xW1.78	GASKET OR HNBR 7.66xW1.78	JOINT OR HNBR 7.66x1.78	OR DICHTUNG HNBR 7.66xW1.78	GARNITURA DIN CAUCIUC 7.66xW1.78
37	18126 DOSATORE FLOWMETER FH 12 909602	FLOWMETER DOSER FH 12 909602	DOSEUR FLOWMETER FH 12 909602	DOSIERER FLOWMETER FH 12 909602	DOZATOR VOLUMETRIC FH 12 909602
38	56122000 ASS.DOSATORE	DOSER KIT	KIT DOSEUR	DOSIERER	ANSAMBLU DOZATOR VOLUMETRIC



Pos	Cod.	Denominazione - IT -	Denomination - GB -	Denomination - FR -	Denomination - DE -	Denumire - RO -
1	52005004	TBS.D-10 L.230 FM5 MCE 011 SCA.INT>GR.DX	TUBE D-10 L.230 FM5	TUYAU D-10 L.230 FM5	ROHR D-10 L.230 FM5	TUB D-10 L.230 FM5
2	52000272	TBS.D-10 L.135 DV73 SCAMBIATOR	D-10 L135 PIPE DV 73	TUYAU D-10 L.135 DV 73	ROHR D. 10 L.135 DV 73	TUB D-10 L.135 DV73 SCHIMBATOR
3	23294003	STROZZATURA RICIRCOLO GR CTS D 4	CTS UNIT D 4 RECIRC. NECK	ETRANGLEMENT RECYCLAGE GR.D.4	ENGSTELLE UMWLZUNG D. 4	JIGLER PT.CIRCULATIE APA GR CTS D 4
4	52000245	TBS.D-10 L.165 DV46 SCAMBIATOR	D-10 L165 PIPE DV 46	TUYAU D-10 L.165 DV 46	ROHR D. 10 L.165 DV 46	TUB D-10 L.165 DV46 SCHIMBATOR
5	52005005	TBS.D-10 L.210 FM6 SCAMBIATORE INT. > GRUPP	TUBE D-10 L.210 FM6	TUYAU D-10 L.210 FM6	ROHR D-10 L.210 FM6	TUB D-10 L.210 FM6
6	52005003	TBS.D-10 L.280 FM4 CLD>VAP.DX	TUBE D-10 L.280 FM4	TUYAU D-10 L.280 FM4	ROHR D-10 L.280 FM4	TUB D-10 L.280 FM4 CAZ>VAP.DR
7	52005014	TBS.D-6 L.940 3GR FM15 CLD>PRESS	TUBE D-6 L.940 3GR FM15	TUYAU D-6 L.940 3GR FM15	ROHR D-6 L.940 3GR FM15	TUB D-6 L.940 3GR FM15 CAZ>PRESOSTAT
8	52003019	TBS.D-10 L.315 AEP 2-3GR FM20 CLD>EV H2O	TUBE D-10 L.315 AEP 2-3GR FM20	TUYAU D-10 L.315 AEP 2-3GR FM20	ROHR D-10 L.315 AEP 2-3GR FM20	TUB D-10 L.315 AEP 2-3GR FM20 CAZ>EV H2O
9	52005001	TBS.D-10 L.135 FM2 CLD>LIV.SUP	TUBE D-10 L.135 FM2	TUYAU D-10 L.135 FM2	ROHR D-10 L.135 FM2	TUB ROHR D-10 L.135 FM2
10	52005011	TBS.D-10 L.320 2-3GR FM12 CLD>VAP.SX	TUBE D-10 L.320 2-3GR FM12	TUYAU D-10 L.320 2-3GR FM12	ROHR D-10 L.320 2-3GR FM12	TUB D-10 L.320 2-3GR FM12 CAZAN>VAP.STG
11	52003446	TBS.D-10 L.105 W307 LIVELLO INF>CLD	TUBE D-10 L.105 W307	TUYAU D-10 L.105 W307	ROHR D-10 L.105 W307	TUB D-10 L.105 W307 NIV.INF>CAZ
12	52005017	TUB.D-6 L.480 3GR FM18 DISTR>SCAMBIATORE	TUBE D-6 L.480 3GR FM18	TUYAU D-6 L.480 3GR FM18	ROHR D-6 L.480 3GR FM18	TUB D-6 L.480 3GR FM18
13	52003454	TBS.D-6 L.245 TC 3GR W315	TUBE D-6 L.245 TC 3GR W315	TUYAU D-6 L.245 TC 3GR W315	ROHR D-6 L.245 TC 3GR W315	TUB D-6 L.245 TC 3GR W315
14	52003014	TBS.D-6 L.245 2>4GR SP 15INIET	TUBE D-6 L.245 SP15	TUYAU D-6 L.245 SP15	ROHR D-6 L.245 SP15	TUB D-6 L.245 2>4GR
15	52001437	TBS.D-4 L.435 1GR CTS AR 60 CA	TUBE D-4 L.435 1GR CTS AR 60 CA	TUYAU D-4 L.435 1GR CTS AR 60 CA	ROHR D-4 L.435 1GR CTS AR 60 CA	TUB D-4 L.435 1GR CTS AR 60 CA
16	12155001	GUARNIZIONE CU 8.5x3.3x1	COPPER GASKET 8.5X3.3X1	JOINT CU 8.5X3.3X1	KUPFERDICHTUNG 8.5x3.3x1	GARNITURA DIN CUPRU 8.5X3.3X1
17	52003060	TBS.D-2 L.1500 1/8-1/8 GL218	TUBE D-2 L.1500 1/8-1/8 GL218	TUYAU D-2 L.1500 1/8-1/8 GL218	ROHR D-2 L.1500 1/8-1/8 GL218	TUB D-2 L.1500 1/8-1/8 GL218
18	52004313	TBS.D-8 L395 2/3GR AR145 TANYA DIST>CLD	TUBE D-8 L395 2/3GR AR145 TANYA	TUYAU D-8 L395 2/3GR AR145 TANYA	ROHR D-8 L395 2/3GR AR145 TANYA	TUB D-8 L395 2/3GR AR145 TANYA
19	61016001	DISTRIBUTORE MULT.CARICO H2O C/W.ECO-10	WATER DISTRIBUTION BLOCK	DISTRIBUTEUR EAU	WASSER VERTEILER	DISTR.MULTIFUNC. H2O C/W.ECO-10
20	18159002	EL.AEA 220/240V 50-60Hz 125CR	SOL.VALVE 220/240V 50-60Hz	ELECTROVANNE 220/240V 50-60Hz	ELEKTROVENTIL 220/240V 50-60Hz	EL.AEA 220/240V 50-60Hz 125CR
21	23293012	STROZZATURA PER A.E.A. D1.2 MACCHINA ECO-1	NECK A.E.A D-1.2	ETRANGLEMENT A.E.A D-1.2	UMWALZUNG A.E.A D-1.2	JIGLER A.E.A. D1.2 MASINA ECO-10
22	30404	TUBOFLEX 3/8FF P.GOMMA CON. L45 Ni	FLEX PIPE 3/8 L45 CONICAL	TUYAU FLEX 3/8 FF L45	SCHLAUCH 3/8 AUFNAHMETÜR L45 GUMMI KONI	TUB FLEXIBIL 3/8FF L45 NI.
23	15452112	TUBO SILICONE PLATINICO 6x9 L.140	SILICON TUBE D-6x9 L.140	TUYAU SILICONE D-6x9 L.140	SILIKONROHR D-6x9 L.140	FURTUN DE SILICON D-6x9 L.140
24	15452113	TUBO SILICONE PLAT.D-6x9 L.195	SILICONE TUBE D-6x9 L.195	TUYAU SILICONE D-6x9 L.195	SILIKONROHR D-6x9 L.195	FURTUN DE SILICON D-6x9 L.195
25	15452098	TUBO SILICONE PLAT.D-6x9 L.270	SILICONE TUBE D-6x9 L.270	TUYAU SILICONE D-6x9 L.270	SILIKONROHR D-6x9 L.270	FURTUN SILICON D-6x9 L.270
26	15422010	RACC. "Y" POLIPROPILENE D-10	Y POLIPROPILENE FITTING D-10	RACCORD "Y" POLIPROPILENE D-10	ANSCHLUSS "Y" POLIPROPILENE D-10	RACORD IN FORMA DE "Y" DIN POLIPROPILENA D
27	23052	DADO OTTONE M10 UNI 5587	TOP BRASS NUT M10 UNI 5587	ECROU LAITON SUP.M10 UNI 5587	UNTER/MESSING MUTTER M10 UNI 5587	PIULITA DIN ALAMA M10 UNI 5587
28	23267	RONDELLA ELAST.ONDUL.D10 DIN137	ELASTIC WASHER D10 DIN137	RONDELLE ELASTIQUE D10 DIN137	ELASTISCHE SCHEIBE D10 DIN137	SAIBA ELASTICA OND.D10 DIN137
29	15502	VASCHETTA SCARICO ROTONDA D 80mm	ROUND DRAIN BASIN D.80mm	CUVE A VIDANGER RONDE D.80mm	RUNDE ABFLUSSCHALE D.80mm	VAS DE SCURGERE ROTUND D.80mm



Pos	Cod.	Denominazione - IT -	Denomination - GB -	Denomination - FR -	Denomination - DE -	Denumire - RO -
1	52005004	TBS.D-10 L.230 FM5 MCE 011 SCA.INT>GR.DX	TUBE D-10 L.230 FM5	TUYAU D-10 L.230 FM5	ROHR D-10 L.230 FM5	TUB D-10 L.230 FM5
2	52000272	TBS.D-10 L.135 DV73 SCAMBIATOR	D-10 L135 PIPE DV 73	TUYAU D-10 L.135 DV 73	ROHR D. 10 L.135 DV 73	TUB D-10 L.135 DV73 SCHIMBATOR
3	23294003	STROZZATURA RICIRCOLO GR CTS D 4	CTS UNIT D 4 RECIRC. NECK	ETRANGLEMENT RECYCLAGE GR.D.4	ENGSTELLE UMWULZUNG D. 4	JIGLER PT.CIRCULATIE APA GR CTS D 4
4	52000245	TBS.D-10 L.165 DV46 SCAMBIATOR	D-10 L165 PIPE DV 46	TUYAU D-10 L.165 DV 46	ROHR D. 10 L.165 DV 46	TUB D-10 L.165 DV46 SCHIMBATOR
5	52005005	TBS.D-10 L.210 FM6 SCAMBIATORE INT. > GRUPP	TUBE D-10 L.210 FM6	TUYAU D-10 L.210 FM6	ROHR D-10 L.210 FM6	TUB D-10 L.210 FM6
6	52005003	TBS.D-10 L.280 FM4 CLD>VAP.DX	TUBE D-10 L.280 FM4	TUYAU D-10 L.280 FM4	ROHR D-10 L.280 FM4	TUB D-10 L.280 FM4 CAZ>VAP.DR
7	52005014	TBS.D-6 L.940 3GR FM15 CLD>PRESS	TUBE D-6 L.940 3GR FM15	TUYAU D-6 L.940 3GR FM15	ROHR D-6 L.940 3GR FM15	TUB D-6 L.940 3GR FM15 CAZ>PRESOSTAT
8	52005015	TBS.D-6 L.940 3GR+DSP FM16 CLD>PRES	TUBE D-6 L.940 3GR+DSP FM16	TUYAU D-6 L.940 3GR+DSP FM16	ROHR D-6 L.940 3GR+DSP FM16	TUB D-6 L.940 3GR+DSP FM16 CAZ>PRESOSTAT
9	52005000	TBS.D-8 L.300 2-3GR FM CLD>EV H2O	TUBE D-8 L.300 2-3GR FM	TUYAU D-8 L.300 2-3GR FM	ROHR D-8 L.300 2-3GR FM	TUB D-8 L.300 2-3GR FM CAZAN>EV H2O
10	52005001	TBS.D-10 L.135 FM2 CLD>LIV.SUP	TUBE D-10 L.135 FM2	TUYAU D-10 L.135 FM2	ROHR D-10 L.135 FM2	TUB ROHR D-10 L.135 FM2
11	52005011	TBS.D-10 L.320 2-3GR FM12 CLD>VAP.SX	TUBE D-10 L.320 2-3GR FM12	TUYAU D-10 L.320 2-3GR FM12	ROHR D-10 L.320 2-3GR FM12	TUB D-10 L.320 2-3GR FM12 CAZAN>VAP.STG
12	52003446	TBS.D-10 L.105 TC W307 LIV.INF>CLD	TUBE D-10 L.105 TC W307	TUYAU D-10 L.105 TC W307	ROHR D-10 L.105 TC W307	TUB D-10 L.105 TC W307 NIV.INF>CAZ
13	52004336	TBS.D-6 L.830 3GR W364 C/W.ECO-10	TUBE D-6 L.830 3GR W364 C/W.ECO-10	TUYAU D-6 L.830 3GR W364 C/W.ECO-10	ROHR D-6 L.830 3GR W364 C/W.ECO-10	TUB D-6 L.830 3GR W364 C/W.ECO-10
14	52005016	TBS.D-6 L.535 3GR FM17	YTUBE D-6 L.535 3GR FM17	TUYAU D-6 L.535 3GR FM17	ROHR D-6 L.535 3GR FM17	TUB D-6 L.535 3GR FM17
15	52000402	TUB.D-6 L.395 SAE/2 GL3 DOS.DX>INIETTORE DX	TUBE D-6 L.395 SAE/2 GL3	TUYAU D-6 L.395 SAE/2 GL3	ROHR D-6 L.395 SAE/2 GL3	TUB D-6 L.395 SAE/2 GL3 DOS.DR>INJECTOR DR
16	52000403	TUB.D-6 L.310 SAE/2 GL4 DOS.SX>INIETTORE SX	TUBE D-6 L.310 SAE/2 GL4	TUYAU D-6 L.310 SAE/2 GL4	ROHR D-6 L.310 SAE/2 GL4	TUB D-6 L.310 SAE/2 GL4 DOS.STG>INJECTOR STG
17	52001437	TBS.D-4 L.435 1GR CTS AR 60 CA	TUBE D-4 L.435 1GR CTS AR 60 CA	TUYAU D-4 L.435 1GR CTS AR 60 CA	ROHR D-4 L.435 1GR CTS AR 60 CA	TUB D-4 L.435 1GR CTS AR 60 CA
18	12155001	GUARNIZIONE CU 8.5x3.3x1	COPPER GASKET 8.5X3.3X1	JOINT CU 8.5X3.3X1	KUPFERDICHTUNG 8.5x3.3x1	GARNITURA DIN CUPRU 8.5X3.3X1
19	52003060	TBS.D-2 L.1500 1/8-1/8 GL218	TUBE D-2 L.1500 1/8-1/8 GL218	TUYAU D-2 L.1500 1/8-1/8 GL218	ROHR D-2 L.1500 1/8-1/8 GL218	TUB D-2 L.1500 1/8-1/8 GL218
20	52003059	TBS.D-2 L.1500 1/4-1/8 GL217	TUBE D-2 L.1500 1/4-1/8 GL217	TUYAU D-2 L.1500 1/4-1/8 GL217	ROHR D-2 L.1500 1/4-1/8 GL217	TUB D-2 L.1500 1/4-1/8 GL217
21	52004313	TBS.D-8 L395 2/3GR AR145 TANYA DIST>CLD	TUBE D-8 L395 2/3GR AR145 TANYA	TUYAU D-8 L395 2/3GR AR145 TANYA	ROHR D-8 L395 2/3GR AR145 TANYA	TUB D-8 L395 2/3GR AR145 TANYA
22	61016001	DISTRIBUTORE MULT.CARICO H2O C/W.ECO-10	WATER DISTRIBUTION BLOCK	DISTRIBUTEUR EAU	WASSER VERTEILER	DISTR.MULTIFUNC. H2O C/W.ECO-10
23	18159002	EL.AEA 220/240V 50-60Hz 125CR	SOL.VALVE 220/240V 50-60Hz	ELECTROVANNE 220/240V 50-60Hz	ELEKTROVENTIL 220/240V 50-60Hz	EL.AEA 220/240V 50-60Hz 125CR
24	23293012	STROZZATURA PER A.E.A. D1.2 MACCHINA ECO-1	NECK A.E.A. D-1.2	ETRANGLEMENT A.E.A. D-1.2	UMWALZUNG A.E.A. D-1.2	JIGLER A.E.A. D1.2 MASINA ECO-10
25	30404	TUBOFLEX 3/8FF P.GOMMA CON. L45 Ni	FLEX PIPE 3/8 L45 CONICAL	TUYAU FLEX 3/8 FF L45	SCHLAUCH 3/8 AUFNAHMETÜR L45 GUMMI KONI	TUB FLEXIBIL 3/8FF L45 Ni.
26	15452112	TUBO SILICONE PLATINICO 6x9 L.140	SILICON TUBE D-6x9 L.140	TUYAU SILICONE D-6x9 L.140	SILIKONROHR D-6x9 L.140	FURTUN DE SILICON D-6x9 L.140
27	15452113	TUBO SILICONE PLAT.D-6x9 L.195	SILICONE TUBE D-6x9 L.195	TUYAU SILICONE D-6x9 L.195	SILIKONROHR D-6x9 L.195	FURTUN DE SILICON D-6x9 L.195
28	15452098	TUBO SILICONE PLAT.D-6x9 L.270	SILICONE TUBE D-6x9 L.270	TUYAU SILICONE D-6x9 L.270	SILIKONROHR D-6x9 L.270	FURTUN SILICON D-6x9 L.270
29	15422010	RACC. "Y" POLIPROPILENE D-10	Y POLIPROPILENE FITTING D-10	RACCORD "Y" POLIPROPILENE D-10	ANSCHLUSS "Y" POLIPROPILENE D-10	RACORD IN FORMA DE "Y" DIN POLIPROPILENA D
30	23052	DADO OTTONE M10 UNI 5587	TOP BRASS NUT M10 UNI 5587	ECROU LAITON SUP.M10 UNI 5587	UNTER/MESSING MUTTER M10 UNI 5587	PIULITA DIN ALAMA M10 UNI 5587
31	23267	RONDELLA ELAST.ONDUL.D10 DIN137	ELASTIC WASHER D10 DIN137	RONDELLE ELASTIQUE D10 DIN137	ELASTISCHE SCHEIBE D10 DIN137	SAIBA ELASTICA OND.D10 DIN137
32	15502	VASCHETTA SCARICO ROTONDA D 80mm	ROUND DRAIN BASIN D.80mm	CUVE A VIDANGER RONDE D.80mm	RUNDE ABFLUSSCHALE D.80mm	VAS DE SCURGERE ROTUND D.80mm
33	12153	GU CU 1/4 17x13.3x1.5	GASKET 1/4 17x13.3x1.5 COPPER	JOINT CUIVRE 1/4 17x13.3x1.5	KUPFERDICHTUNG 1/4 17x13.3x1.5	GARNITURA DIN CUPRU 1/4 17X13.3X1.5.
34	10254	FILTRO ACCIAIO 160-200 MESH	STEEL FILTER 160-200 MESH	FILTRE EN ACIER 160-200 MESH	STAHLFILTER 160-200 MESH	FILTRU DIN OTEL 160-200 MESH.
35	25686	RACCORDO 1/4x1/4 FLANGIA	CONNECTOR 1/4 x 1/4	RACCORD 1/4 x 1/4	ANSCHLUSS 1/4x1/4	RACORD 1/4X1/4 flansa.
36	25708	RACC.1/4x1/4 GRUPPO LEVETTA	CONNECTOR 1/4x1/4 FITTING	RACCORD 1/4x1/4	ANSCHLUSS 1/4x1/4	RACORD 1/4X1/4
37	12329	GUARNIZIONE OR HNBR 7.66xW1.78	GASKET OR HNBR 7.66xW1.78	JOINT OR HNBR 7.66x1.78	OR DICHTUNG HNBR 7.66xW1.78	GARNITURA DIN CAUCIUC 7.66xW1.78
38	18126	DOSATORE FLOWMETER FH 12 909602	FLOWMETER DOSER FH 12 909602	DOSEUR FLOWMETER FH 12 909602	DOSIERER FLOWMETER FH 12 909602	DOZATOR VOLUMETRIC FH 12 909602
39	56122000	ASS.DOSATORE	DOSER KIT	KIT DOSEUR	DOSIERER	ANSAMBLU DOZATOR VOLUMETRIC
40	52004324	TUB.D-6 L.100 2/3GR W349 C/W.E DOS.DX	TUBE D-6 L.100 2/3GR W349 C/W.E	TUYAU D-6 L.100 2/3GR W349 C/W.E	ROHR D-6 L.100 2/3GR W349 C/W.E	TUB D-6 L.100 2/3GR W349 C/W.E DOZ.DR

ILC

INDICE - INDEX - SOMMAIRE - VERZEICHNIS-INDEX

ILC-50

LIVELLO ACQUA - WATER LEVEL
NIVEAU EAU - WASSER NIVEAU - NIVELUL DE APA

rev.

00
05/2012

LIVELLO ACQUA

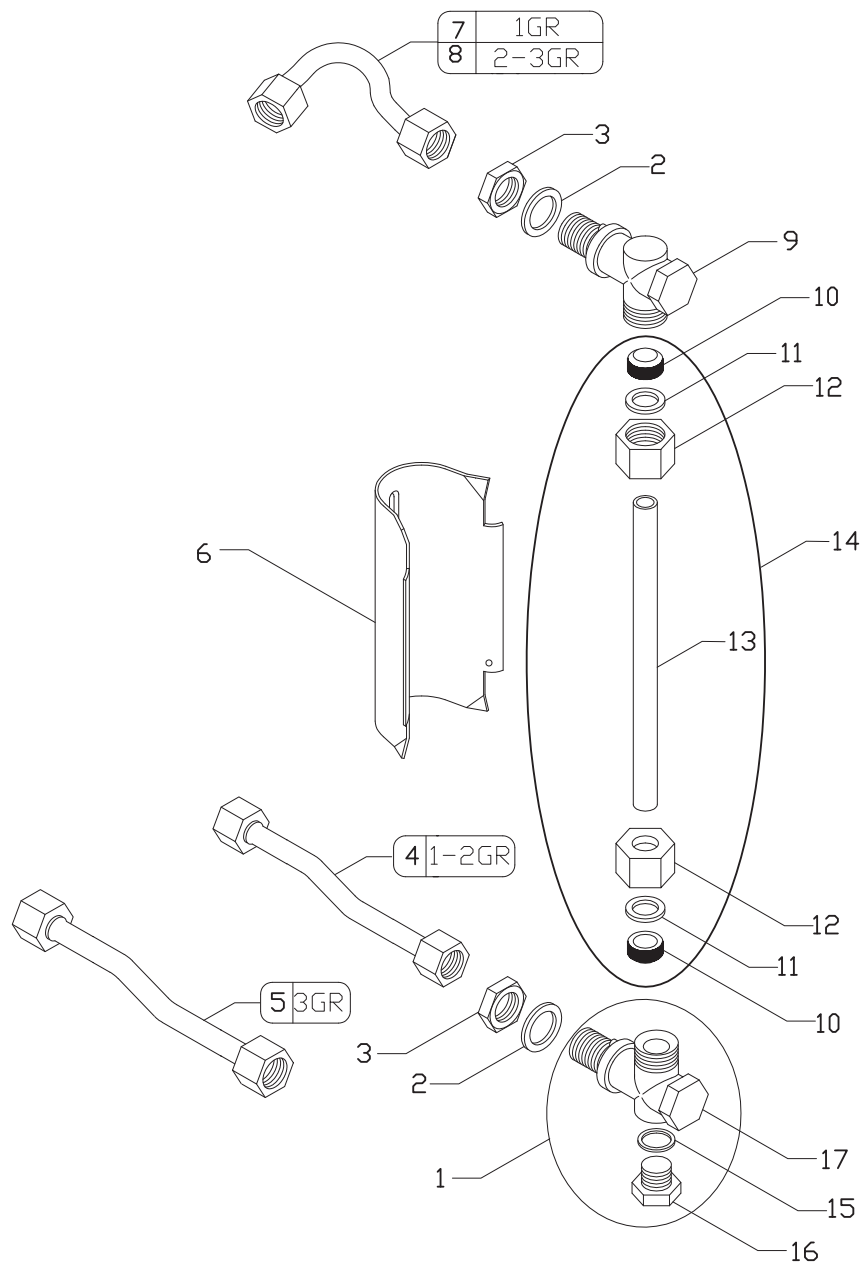
WATER LEVEL

NIVEAU EAU

WASSER NIVEAU

NIVELUL DE APA

FORMA



Pos.Cod	Denominazione - IT -	Denomination - GB -	Denomination - FR -	Denomination - DE -	Denumire - RO -
1	56005 ASS.CORPO LIVELLO INFERIORE	LOWER LEVEL BODY UNIT	ENSEMBLE CORPS DE NIVEAU INFERIEUR	UNTER NIVEAUKORPER	ANSAMBLU CORP PT. NIVELUL INFERIOR
2	25651 RONDELLA OTTONE 3/8	BRASS WASHER 3/8	RONDELLE LAITON 3/8	MESSINGSCHIEBE 3/8	SAIBA DIN ALAMA 3/8
3	25356 CONTRODADO OTTONE 3/8	BRASS LOCK NUT 3/8	CONTRE-ECROU LAITON 3/8	MESSING-GEGENMUTTER 3/8	CONTRAPIULITA DIN ALAMA 3/8
4	52003424 TBS.D-10 L.103 1GR W285 LIV.INF>CLD	TUBE D-10 L.103 TC 1GR W285	TUYAU D-10 L.103 TC 1GR W285	ROHR D-10 L.103 TC 1GR W285	TUB D-10 L103 1GR W285 NIV.INF>CAZ
5	52003446 TBS.D-10 L.105 2GR W307 LIV.INF>CLD	TUBE D-10 L.105 TC 2GR W307	TUYAU D-10 L.105 TC 2GR W307	ROHR D-10 L.105 TC 2GR W307	TUB D-10 L105 2GR W307 NIV.INF>CAZ
6	44002 COPRILIVELLO VERNICIATO BIANCO	LEVEL INDICATOR COVER PAINTED WHITE	COUVRE-NIVEAU LAQUE BLANC	NIVEAUDECKEL	PROT.ALBA PT. INDIC. DE NIVEL
7	52005012 TBS.D-10 L.140 FM13 MCE 011 CALD> LIV.SUP.	TUBE D-10 L.140 FM13 MCE 011	TUYAU D-10 L.140 FM13 MCE 011	ROHR D-10 L.140 FM13 MCE 011	TUB D-10 L.140 FM13 MCE 011 NIV.SUP>CAZAN
8	52005001 TBS.D-10 L.135 FM2 MCE 011 CALD> LIV.SUP.	TUBE D-10 L.135 FM2 MCE 011	TUYAU D-10 L.135 FM2 MCE 011	ROHR D-10 L.135 FM2 MCE 011	TUB D-10 L.135 FM2 MCE 011 NIV.SUP>CAZAN
9	53002 CORPO LIVELLO SUPERIORE	UPPER LEVEL BODY	CORPS DE NIVEAU SUPERIEUR	OBERNIVEAUKORPER	CORP PT. NIVELUL SUPERIOR
10	12200 GU GOMMA x LIVELLO 16x10x8 SMUSSATA	SIGHT GLASS RUBBER GASKET 16X10X8	JOINT CAOUTCHOU DE NIVEAU 16X10X8	GUMMIDICHTUNG FR NIVEAU 16x10x8	GARN. DIN CAUCIUC PT.TUBUL DE NIV.
11	25652 RONDELLA OTTONE D17.8	BRASS WASHER D.17.8	RONDELLE LAITON D.17.8	MESSING-SCHIEBE D.17.8	SAIBA DIN ALAMA D 17.8
12	25383 DADO OTTONE M20x1.5	BRASS NUT 20x1.5	ECROU LAITON 20x1.5	MESSING-MUTTER 20x1.5	PIULTA DIN ALAMA M20x1.5
13	21300 TUBO VETRO PIREX LIVELLO 11x8x170	GLASS LEVEL TUBE 11X8X170	TUBE NIVEAU EN VERRE 11X8X170	NIVEAU GLASROHR 11x8x170	TUB PT. NIVEL DIN STICLA 11x8x170
14	56001 ASSIEME TUBO LIVELLO	LEVEL TUBE UNIT	ENSEMBLE TUBE DE NIVEAU	ROHRSATZ FUR NIVEAU	ANSAMBLU TUB NIVEL
15	12153 GU CU 1/4 17x13.3x1.5	1/4 17x13.3x1.5 COPPER SEAL	JOINT CUIVRE 1/4 17x13.3x1.5	KUPFERDICHTUNG 1/4 17x13.3x1.5	GARN. DIN CUPRU 1/4 17x13.3x1.5
16	25780 TAPPO MASCHIO OTTONE 1/4	BRASS MALE CAP 1/4	BOUCHON MALE LAITON 1/4	MESSING-STOPFEN 1/4	DOP DIN ALAMA PT. MASC. 1/4
17	53001 CORPO LIVELLO INFERIORE	LOWER LEVEL CONNECTOR	CORPS DE NIVEAU INFERIEUR	UNTERNIVEAUKORPER	CORP PT. NIVELUL INFERIOR

ELFM

INDICE - INDEX - SOMMAIRE - VERZEICHNIS-INDEX

rev.

ELFM-60

IMPIANTO ELETTRICO AEP - ELETRICAL SYSTEM AEP
CIRCUIT ELECTRIQUE AEP - STROM ANLAGE AEP - CIRCUIT ELECTRIC AEP

00
12/2012

ELFM-61

IMPIANTO ELETTRICO SAE - ELETRICAL SYSTEM SAE
CIRCUIT ELECTRIQUE SAE - STROM ANLAGE SAE - CIRCUIT ELECTRIC SAE

00
12/2012

ELFM-62

IMPIANTO ELETTRICO SAE/DISPLAY - ELETRICAL SYSTEM SAE/DISPLAY
CIRCUIT ELECTRIQUE SAE/DISPLAY - STROM ANLAGE SAE/DISPLAY
CIRCUIT ELECTRIC SAE/DISPLAY

00
12/2012

IMPIANTO ELETTRICO

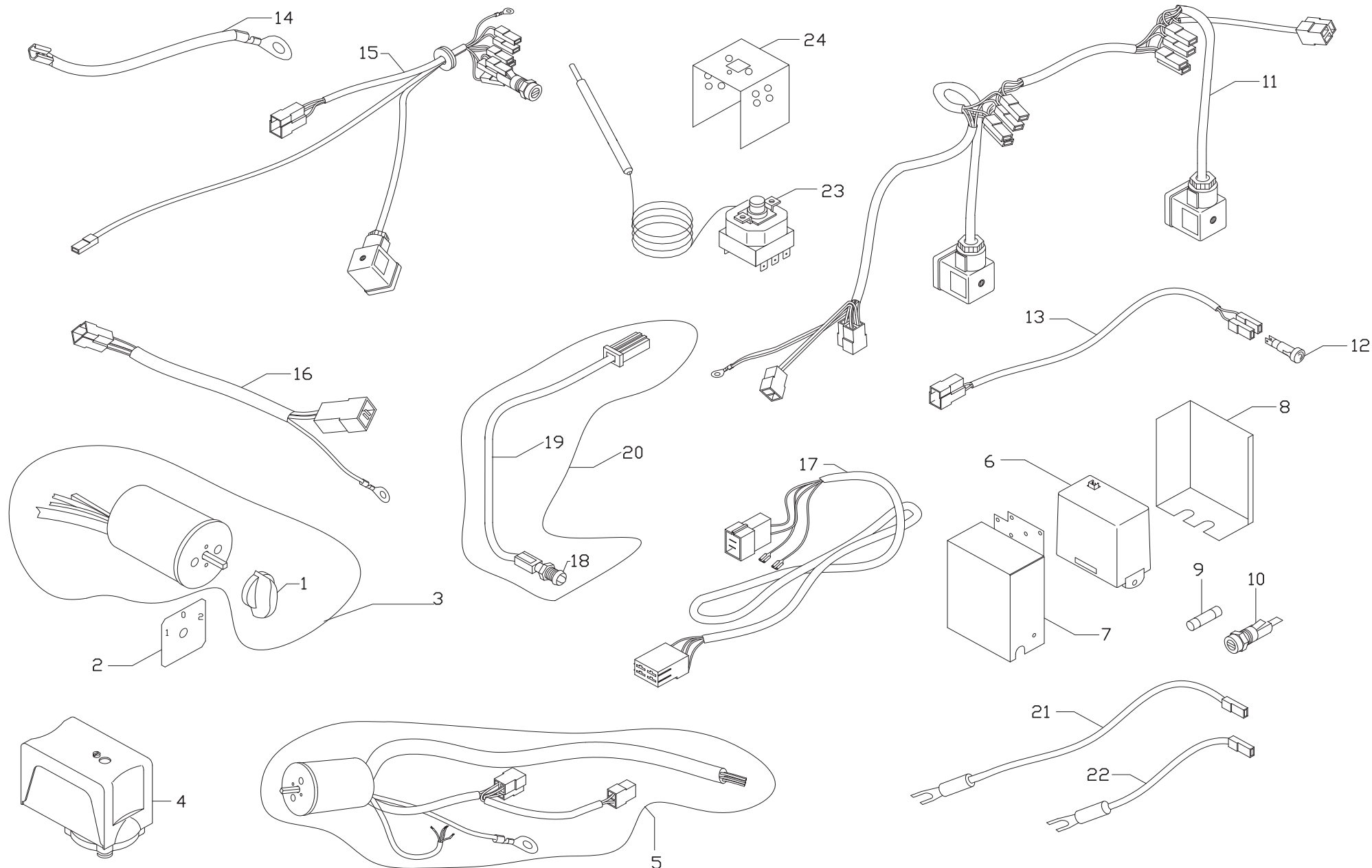
ELETRICAL SYSTEM

CIRCUIT ELECTRIQUE

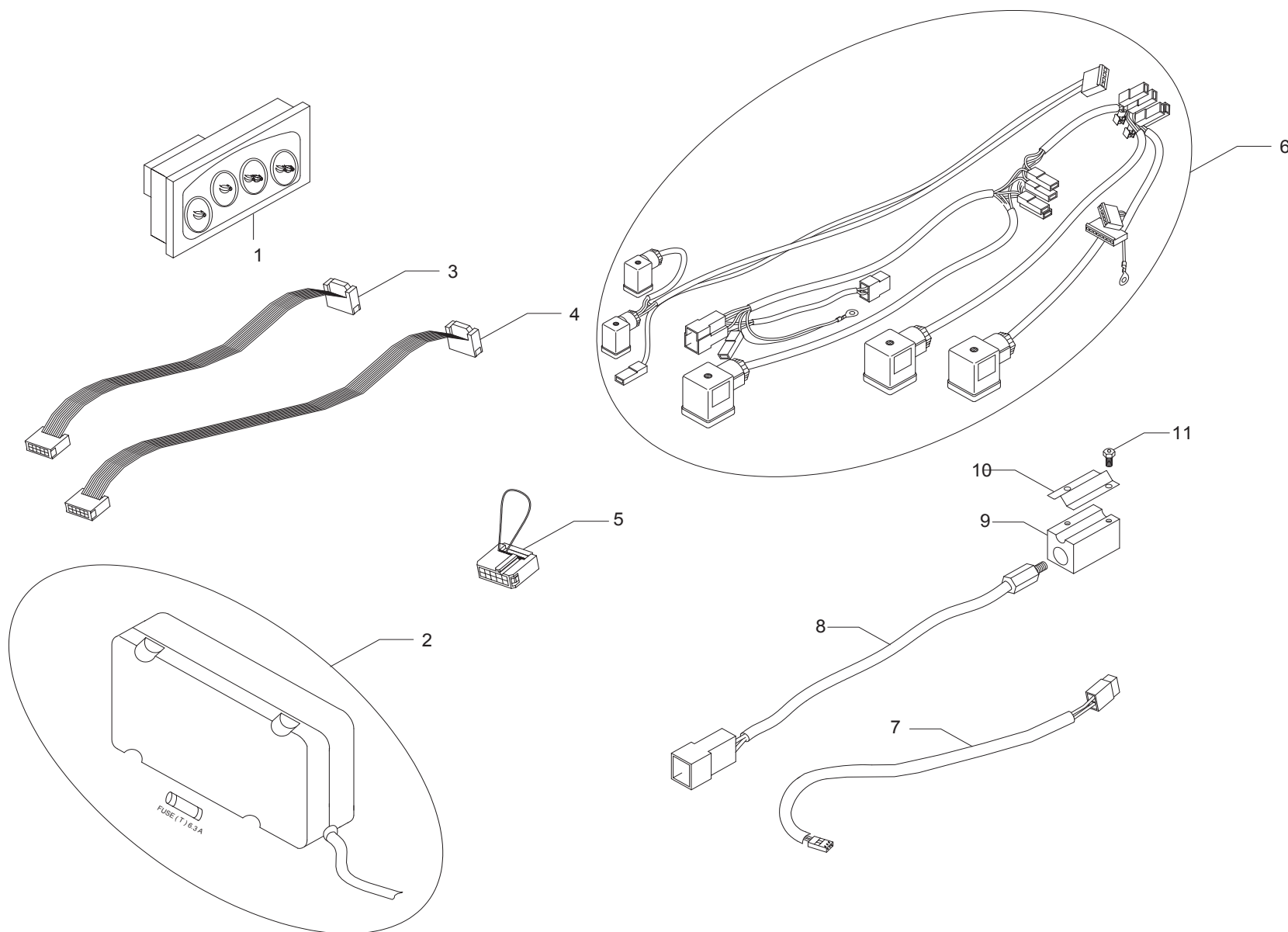
STROM ANLAGE

CIRCUIT ELECTRIC

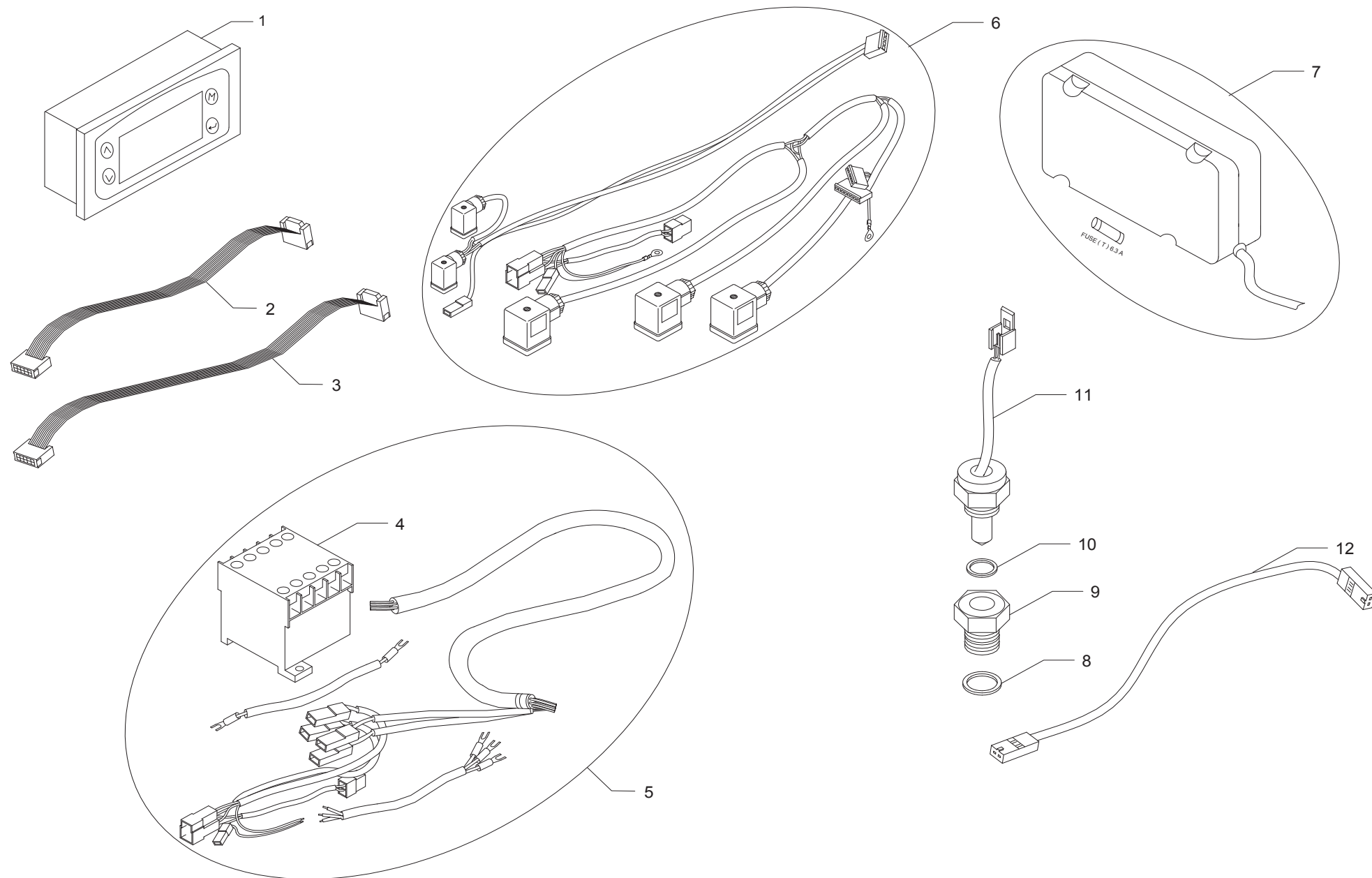
FORMA



Pos. Cod	Denominazione - IT -	Denomination - GB -	Denomination - FR -	Denomination - DE -	Denumire - RO -
1	15271 MANOPOLA INT.GEN.BREMAS CMA/WE	MAIN SWITCH HAND GRIP	MANETTE INTERR. GENERAL	HAUPTSCHALTERGRIF	INTRERUPATOR GENERAL BREMAS CMA/WE
2	29067 ET.AD.'1-0-2'NERO PLASTICO 58x58	PLASTIC ADHESIVE PLATE 1-0-2 58x58	PLAQUETTE ADHESIVE 1-0-2 58x58	KLEBESCHILD 1-0-2 58x58	ET.ADEZIVA DIN PLASTIC NEAGRA 1-0-2 58x58
3	18104 COMMUTATORE BREMAS A20.12 CS0177412	COMMUTATOR BREMAS A20.12	COMMUTATEUR BREMAS A20.12	UMSCHLATER BREMAS A20.12	COMUTATOR BREMAS A20.12
3	18105 COMMUTATORE BREMAS A32.12 CS0257412	COMMUTATOR BREMAS A32.12	COMMUTATEUR BREMAS A32.12	UMSCHALTER BREMAS A32.12	COMUTATOR BREMAS A32.12
4	20150 PRESSOSTATO SECCO SIRAI P302/6	SIRAI P302/6 DRY PRESSURE SWITCH	PRESSOSTAT SEC SIRAI P302/6	TROCKENDRUCKWCHTER SIRAI P302/6	PRESOSTAT SIRAI P302/6
5	22944 COM.1-3GR 3F+N 18104 D2.5 NEOP.	COM.1-3GR 3F+N 18104 D2.5 NEOP.	CHANGER 1-3GR 3F+N 18104 D2.5 NEOP.	WECHSELN 1-3GR 3F+N 18104 D2.5 NEOP.	COM.1-3GR 3F+N 18104 D2.5 NEOP.
5	22945 COM.4GR 3F+N 18105 D4 NEOP.	COM.4GR 3F+N 18105 D4 NEOP.	CHANGER.4GR 3F+N 18105 D4 NEOP.	WECHSELN 4GR 3F+N 18105 D4 NEOP.	COM.4GR 3F+N 18105 D4 NEOP.
6	18080001 REG.LIV.RL30/T.O.220/240V 917500.00	LEVEL CONTROL RL30 220/240V	CONTROLE NIVEAU RL30 220/240V	WASSERNIVEAUREGLER RL30 220/240V	REG.NIVEL RL30/T.O.220/240V 917500.00
7	78200 SUPP.AEA RL30 x TUTTI I TELAI	AWR BEARING RL30xALL MOD.FRAMES	SUPP.REA RL30 POUR TOUS CHASSIS M	OADW.F HALTER RL30xFUR ALLE MOD.RAHMEN	SUPORT PT. REG. DE NIVEL
8	77691F PROT.CENTR.RL30 PER SUPP.78200	RL30 GEARCASE PROTECTION	PROTECTION RL30	SCHUTZGITTER RL30	PROTECTIE PT. SUPORTUL M78200
9	19101 FUSIBILE 5x20 2A SF520220 OMEGA	FUSE OMEGA 5x20 2A	FUSIBLE OMEGA 5x20 2A	SCHMELZSICH.OMEGA 5x20 2A	SIGURANTA 5x20 2A SF520220 OMEGA
10	19122 PORTAFUSIBILE P2300 10A 250V OMEGA	FUSE HOLDER 6.3A 250V	PORTE-FUSIBLE 6.3A 250V	SICHERUNGSHALTER 6.3A 250V	SUP.PT.SIGURANTA P2300 10A 250V OMEGA
11	227701 CABL.AEP/1 + JUNIOR NEW	AEP/1 + JUNIOR NEW WIRING	CABLAGE AEP/1 + JUNIOR NEW	VERKABELUNG AEP/1 + JUNIOR NEW	CABLU AEP/1+JUNIOR NOU
11	227702 CABL.AEP/2 NEW	AEP/2 + JUNIOR NEW WIRING	CABLAGE AEP/2 + JUNIOR NEW	VERKABELUNG AEP/2 + JUNIOR NEW	CABLU AEP/2 NOU
11	227703 CABL.AEP/3 NEW	AEP/3 + JUNIOR NEW WIRING	CABLAGE AEP/3 + JUNIOR NEW	VERKABELUNG AEP/3 + JUNIOR NEW	CABLU AEP/3 NOU
12	21011 LAMPA.SPIA VERDE 220V 332247030T	220V GREEN INDICATOR LIG	AMPOULE TEMOIN VERT 220V	KONTROLLEUCHTE GRN 220V	LED VERDE 220V 332247030T
13	227181 CABL.PROLUNGA LAMPADINA	WIRING FOR LAMP	CABLE PROLONGE LAMPE	VERDRAHTUNG LAMPE	CABLU PRELUNGIRE LED
14	22051 CAVO FILO TERRA FT4 BM4+10101 L275	EARTH WIRE CABLE FT4 BM4+10101 L2	CABLE FIL TERRE FT4 BM4+10101 L27	5ERDE KABEL FT4 BM4+10101 L275	CABL.PT.IMPAMANTARE FT4 BM4+10101 L27
15	22858 CABL.AEA 1>4GR ER NEW LUCIFER	CABLE A.W.R. 1-4GR	CABLAGE R.E.A. 1-4GR	VERDRAHTUNG A.W.F.1-4GR	CABLU ELECTRIC 1>4GR ER NOU LUCIFER
16	22717301 CABL.ALIM.MOT.RPM 120W NORMALE	CABLE SUPPLY MOTOR RPM 120W	CABLE ALIMENTER MOTEUR RPM 120W	KABEL DER FÜHREN MOTOR RPM 120W	CABLU DE ALIM.MOTOR 120W NORMAL
17	227173 CABL.ALIMENTAZIONE M.I. NORMALE	CABLE SUPPLY M.I.	CABLE ALIMENTER M.I.	KABEL DER FÜHREN M.I.	CABLU ALIMENTARE M.I. NORMAL
18	21024 LED D5 COL.ROSSO	RED LED D.5	LED ROUGE D.5	ROTES LED D.5	LED D5 ROSU
19	22625001 CAVO 1/2GR RL30/TIMEOUT SENZA LED	1/2 CABLE TIMEOUT UNIT EXCEPT LED	CABLE 1/2 GR. RL30/TIMEOUT LED	KABEL 1/2GR. RL30/TIMEOUT OHNE LED	CABLU 1/2GR RL30/TIMEOUT FARA LED
20	22625 CAVO 1/2GR RL30/TIMEOUT CON LED	1/2 CABLE TIMEOUT UNIT WITH LED	CABLE 1/2 GR. RL30/TIMEOUT LED	KABEL 1/2GR. RL30/TIMEOUT MIT LED	CABLU 1/2GR RL30/TIMEOUT CU LED
20	22626 CAVO 3/4GR RL30/TIMEOUT CON LED	3/4 CABLE TIMEOUT UNIT WITH LED	CABLE 3/4 GR. RL30/TIMEOUT LED	KABEL 3/4GR. RL30/TIMEOUT MIT LED	CABLU 3/4GR RL30/TIMEOUT CU LED
21	22415 CAVO RIP.PFF06-6/BF-U4 D2,5 L.540	CABLE.RIP.PFF06-6/BF-U4 D2,5	CABLAGE RIP.PFF06-6/BF-U4 D2,5	KABEL RIP.PFF06-6/BF-U4 D2,5 L.540	CABLU RIP.PFF06-6/BF-U4 D2,5 L.540
21	22420 CAVO RIT.PFF1-6/GF-U4 D4 L.540	CABLE RIT.PFF1-6/GF-U4 D4 L.540	CABLAGE RIT.PFF1-6/GF-U4 D4 L.540	KABEL RIT.PFF1-6/GF-U4 D4 L.540	CABLU RIT.PFF1-6/GF-U4 D4 L.540
22	22400503 CAVO RIT.PFF06-6/BF-U4 D2.5 L.250	CABLE.PFF06-6/BF-U4 D2.5 L.250	CABLAGE PFF06-6/BF-U4 D2.5 L.250	KABEL PFF06-6/BF-U4 D2.5 L.250	CABLU PFF06-6/BF-U4 D2.5 L.250
22	22400504 CAVO RIT.SILIC.4mmq L.250 FF6.3 C/F4	CABLE RIT.SILIC.4mmq L.250 FF6.3 C/F4	CABLAGE RIT.SILIC.4mmq L.250 FF6.3 C/F4	KABEL RIT.SILIC.4mmq L.250 FF6.3 C/F4	CABLU RIT.SILIC.4mmq L.250 FF6.3 C/F4
23	20300015 TERMOSTATO EGO 169 C 55.32532.020	THERMOSTAT 169 C55.32532.020	THERMOSTAT 169 C55.32532.020	TERMOSTAT 163 C55.32532.020	TERMOSTAT 163 C55.32532.020
24	77699003 SCATOLA TERMOSTATO EGO MCE	BOX THERMOSTAT MCE	BOITE THERMOSTAT MCE	SCHACHTEL TERMOSTAT MCE	CUTIE PT. TERMOSTAT MCE



Pos.	Cod	Denominazione - IT -	Denomination - GB -	Denomination - FR -	Denomination - DE	Denumire - RO -
1	18359101	PULSANTIERA CAPACITIVA 4T x TC BIANCO	TOUCH PAD 4T xTC WHITE	CLAVIER A TOUCHES 4T xTC BLANC	DRUCKKNOPFTAFEL 4T xTC WEIß	TASTATURA CAPACITIVA 4T xTC ALBA
2	18088004	CENTR.BASE+THE 1-2GR 230V x TC	CONTROL UNIT+TEA 1-2GR 230V x TC	CENTR.+THE 1-2GR 230V x TC	EINHEIT+TEE 1-2GR 230V x TC	PROCESOR+CEAI 1-2GR 230V x TC
2	18088005	CENTR.BASE+THE 3-4GR 230V x TC	CONTROL UNIT+TEA 3-4 GR 230V x TC	CENTR.+THE 3-4GR 230V x TC	EINHEIT+TEE 3-4GR 230V x TC	PROCESOR+CEAI 3-4GR 230V x TC
3	22628100	CAVO PULSANTIERA CAP.xTC 8 POLI 50CM	50 CM CONNECTOR FOR P.BUTTON PANEL	CABLEAGE CLAVIER 50 CM	KABEL BEDIENBL 50 CM	CABLU PT. PULSAT. 50 CM
4	22628101	CAVO PULSANTIERA CAP.xTC 8 POLI 70CM	70 CM CONNECTOR FOR P.BUTTON PANEL	CABLEAGE CLAVIER 70 CM	KABEL BEDIENBL 70 CM	CABLU PT. PULSAT. 70 CM
5	15486016	TAPPO TERMINALE x TC	END CAP x TC	CEEMNBTORU.T 1x-2TCGR 230V	DECKEL x TC	CAPAC TERMINAL x TC
6	22874006	CABL.SAE/1+THE MONTEL x TC	SAE/1+TEA CABLE MONTELxTC	CABLEAGE SAE/1+THE MONTELxTC	KABEL SAE/1+TEE MONTELxTC	CABLU SAE/1+CEAI
6	22874007	CABL.SAE/2+THE MONTELxTC	SAE/2+TEA CABLE MONTELxTC	CABLEAGE SAE/2+THE MONTELxTC	KABEL SAE/2+TEE MONTELxTC	CABLU SAE/2+CEAI
6	22874008	CABL.SAE/3+THE MONTEL Xtc	SAE/3+TEA CABLE MONTELxTC	CABLEAGE SAE/3+THE MONTELxTC	KABEL SAE/3+TEE MONTELxTC	CABLU SAE/3+CEAI
7	22629006	CAVO SONDA SCALDATAZZE MONT.xTC 55CM	CABLE PROBE MONTELxTC 55CM	CABLE SONDE MONTELxTC 55CM	KABEL SONDE MONTELxTC 55CM	CABLU MONTELxTC 55CM
8	20306000	SONDA NTC K100 ES 13SCTE SB	PROBE NTC K100 ES 13	SONDE NTC K100 ES 13	SONDE NTC K100 ES 13	SONDA NTC K100 ES 13SCTE
9	25338000	BLOCCH.SONDA NTC SCTE SB	PROBE BLOCK NTC	BLOC SONDE NTC	SONDE ANSCHLAG NTC	BLOCAJ PT.SONDA NTC SCTE SB
10	77583100	STAFFA BLOCCH.SONDA SCTE SB/VE	BLOCK BRACKET	ETRIER BLOC	ANSCHLAG BUGEL	CLAMA DE FIXARE PT.SONDA
11	23564014	VITE TCEI M3x4 A2 UNI 5931	STEEL SCREW TE M3x4 A2	VIS INOX TE M3x4 A2	STAHLSCHRAUBE TE M3x4 A2	SURUB DIN INOX TCEI M3x4



Pos.	Cod	Denominazione - IT -	Denomination - GB -	Denomination - FR -	Denomination - DE -	Denumire - RO -
1	18088013	MODULO DISPLAY BIANCO x TC	DISPLAY WHITE xTC	DISPLAY BLANC xTC	DISPLAY WEIß xTC	DISPLAY ALB xTC
2	22628100	CAVO PULASNTIERA CAP.xTC 8 POLI 50CM	50CM CONNECTOR FOR P.BUTTON PANEL	CABLEAGE CLAVIER 50 CM	KABEL BEDIENBL 50 CM	CABLU PT.PULSATIERA 50 CM
3	22628101	CAVO PULASNTIERA CAP.xTC 8 POLI 70CM	70CM CONNECTOR FOR P.BUTTON PANEL	CABLEAGE CLAVIER 70 CM	KABEL BEDIENBL 70 CM	CABLU PT.PULSATIERA 70 CM
4	20299005	TELERUTTORE ABB A9-40-00 25A 230/240V	RELAY SWITCH 230/240V	TELERUPTEUR 230/240V	CONTROL SWITCH 230/240V	RELEU 230/240V
5	22629008	CABL.ALIMENTAZIONE 1-2GR.DISPLAY x TC	CABLE SUPPLY DISPLAYxTC 1-2GR	CABLE ALIMENTATION 1-2GR DISPLAYxTC	KABEL VERSORGUNG 1-2GR DISPLAYxTC	CABLU PT.ALIMENTARE-DISPLAY 1-2
5	22629009	CABL.ALIMENTAZIONE 3GR.DISPLAY x TC	CABLE SUPPLY DISPLAYxTC 3GR	CABLE ALIMENTATION 3GR DISPLAYxTC	KABEL VERSORGUNG 3GR DISPLAYxTC	CABLU PT.ALIMENTARE-DISPLAY 3GR
6	22874009	CABL.SAE/1+THE DISPLAY MONTEL x TC	SAE/1+TEA CABLE DISPLAY MONTELxTC	CABLEAGE SAE/1+THE DISPLAY MONTELxTC	KABEL SAE/1+TEE DISPLAY MONTELxTC	CABLU PT.SAE/1+CEAI/ DISPLAY MONT.xTC
6	22874010	CABL.SAE/2+THE DISPLAY MONTEL x TC	SAE/2+TEA CABLE DISPLAY MONTELxTC	CABLEAGE SAE/2+THE DISPLAY MONTELxTC	KABEL SAE/2+TEE DISPLAY MONTELxTC	CABLU PT.SAE/2+CEAI DISPLAY MONT.xTC
6	22874011	CABL.SAE/3+THE DISPLAY MONTEL x TC	SAE/3+TEA CABLE DISPLAY MONTELxTC	CABLEAGE SAE/3+THE DISPLAY MONTEL xTC	KABEL SAE/3+TEE DISPLAY MONTELxTC	CABLU PT.SAE/3+CEAI DISPLAY MONT.xTC
7	18088006	CENTR.VERS.DISPLAY+THE 1-2GR 230V XTC	CONTROL UNIT DISPLAY+TEA 1-2 GR 230V	CENTR. DISPLAY+THE 1-2 GR 230V	EINHEIT DISPLAY+TEE 1-2 GR 230V	PROCESOR DISPLAY+CEAI 1-2 GR 230V
7	18088007	CENTR.VERS.DISPLAY+THE 3-4GR 230V XTC	CONTROL UNIT DISPLAY+TEA 3-4 GR 230V	CENTR. DISPLAY+THE 3-4 GR 230V	EINHEIT DISPLAY+TEE 3-4 GR 230V	PROCESOR DISPLAY+CEAI 3-4 GR 230V
8	12153	GUARNIZIONE CU 1/4 17x13.3x1.5	1/4 17x13.3x1.5 COPPER SEAL	JOINT CUIVRE 1/4 17x13.3x1.5	KUPFERDICHTUNG 1/4 17x13.3x1.5	GARNITURA 1/4 17x13.3x1.5
9	25749000	RID.1/4M GAS - 1/8F GAS Ni	REDUCTION GEAR 1/4M GAS - 1/8F GAS Ni	REDUCTEUR 1/4M GAS - 1/8F GAS Ni	MINDERER 1/4M GAS - 1/8F GAS Ni	RED.1/4M GAS - 1/8F GAS Ni
9	25749001	RID.3/8M GAS - 1/8F GAS Ni	REDUCTION GEAR 3/8M GAS - 1/8F GAS Ni	REDUCTEUR 3/8M GAS - 1/8F GAS Ni	MINDERER 3/8M GAS - 1/8F GAS Ni	RED.3/8M GAS - 1/8F GAS Ni
10	12151	GUARNIZIONE CU DOSATORE 13x10.2x1.5	CU GASKET FOR SALE DOSER 13x10.2x1.5	JOINT CU DE DOSEUR SAE 13x10.2x1.5	CU DICHTUNG FUR SAE DOS. 13x10.2x1.5	GARNITURA 13x10.2x1.5
11	20306	TERMOSTATO SONDA NTC ES 13	THERMOSTAT NTC ES 13	THERMOSTAT NTC ES 13	TERMOSTAT NTC ES 13	TERMOSTAT NTC ES 13
12	22629007	CAVO SONDA TEMP.CALDAIA MONTEL x TC	CABLE PROBE BOILER MONTELxTC	CABLEAGE SONDE CHAUDIERE MONTELxTC	KABEL SONDE KESSEL MONTELxTC	CABLU PT.SONDA DE TEMP.CAZAN

MOT

INDICE - INDEX - SOMMAIRE - VERZEICHNIS-INDEX

rev.

MOT-70

MOTOPOMPA - MOTOR PUMP
MOTOPOMPE - MOTOR PUMP - MOTOPOMPA

1,2 GR

00
12/2012

MOT-71

MOTOPOMPA - MOTOR PUMP
MOTOPOMPE - MOTOR PUMP - MOTOPOMPA

3 GR

00
12/2012

MOTOPOMPA

MOTOR PUMP

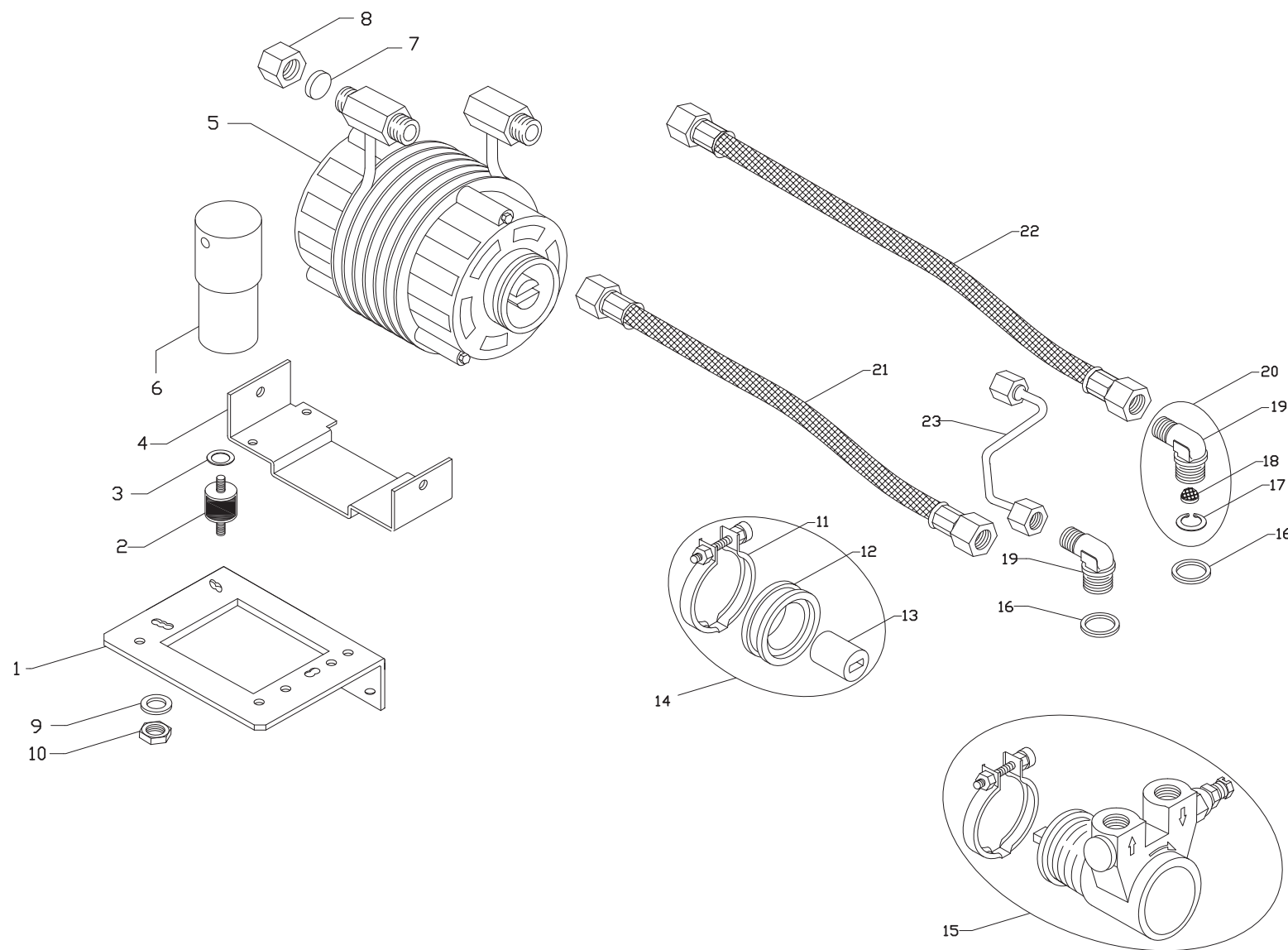
MOTOPOMPE

MOTOR PUMP

MOTOPOMPA

FORMA

Pos.Cod	Denominazione - IT -	Denomination - GB -	Denomination - FR -	Denomination - DE -	Denumire - RO -
1	78167015 SUPP.MOTORE INC.1>4GR LAVAZZA	MOTORPUMP BEARING INC.1>4GR LAVAZZA	SUPP.MOTEURPOMPE INC.1>4GR LAVAZZA	NORM.MOTORPUMPE INC.1>4GR LAVAZZA	SUPORT PT. MOTOR INC.1>4GR LAVAZZA
2	15105 GOMMA AMMORTIZ.x MOTORE RAF.H2	RUBBER FOR WATER COOLED MOTOR ZEC.	CAOUTCH.POUR MOTEUR REFRROID.EAU ZEC	GUMMI x WASSERGEKHLTER MOTOR ZEC.	GARN. CAUCIUC PT.AMORT.MOTOR
3	23265 RONDELLA GREMB. INOX 4x12 UNI	INOX WASHER 4x12 UNI	RONDELLE INOX 4x12 UNI	STHAL SCHEIBE 4x12 UNI	SAIBA INOX 4x12 UNI
4	78174 SUPP.MOTORE INCORPORATO R.P.M.	MOTOR BEAR. RPM	SUPPORT MOT. RPM	EINGEBAUTER MOTORHALTER RPM	SUPORT PT. MOTOR INCORPORAT
5	18303 MOTORE R.P.M. 230V 120W	MOTOR R.P.M. 230V 120W	MOTEUR R.P.M. 230V 120W	MOTOR R.P.M. 230V 120W	MOTOR R.P.M. 230V 120W
5	18303001 MOTORE R.P.M. 230V 150W	MOTOR R.P.M. 230V 150W	MOTEUR R.P.M. 230V 150W	MOTOR R.P.M. 230V 150W	MOTOR R.P.M. 230V 150W
6	30404 TUBOFLEX 3/8 FF P.GOMMA L45 Ni	FLEX PIPE 3/8 L45 CONICAL	TUYAU FLEX 3/8 FF L45 PORTE-TUYAU	SCHLAUCH 3/8 AUFNAHMETR L45 GUMMI KONI	TUB FLEXIBIL DIN CAUCIUC 3/8 FF ,L45
7	30408 TUBOFLEX 3/8FF P.GOMMA L150 Ni	FLEX PIPE 3/8 L150	TUYAU FLEX 3/8 FF L150 PORTE-TUYAU	SCHLAUCH 3/8 AUFNAHMETR L150 GUMMI KONI	TUB FLEXIBIL 3/8FF L150 Ni.
8	10005 ANELLO DI ARRESTO IN.DIN472 D11	DIN472 D11 STAINLESS STEEL STOP RING	ANNEAU DE BUTEE INOX DIN472 D11	DRAHTSPRENGRING ROSTFREI DIN472 D11	INEL DIN INOX DE OPRIRE DIN472 D11
9	10254 FILTRO ACCIAIO 160-200 MESH	STEEL FILTER 160-200 MESH	FILTRE EN ACIER 160-200 MESH	STAHLFILTER 160-200 MESH	FILTRU DIN OTEL 160-200 MESH
10	43052 RACCORDO "L" 3/8	CONNECTOR 'L' 3/8	RACCORD 'L' 3/8	ANSCHLUSS 'L' 3/8	RACORD "L" 3/8.
11	56116001 RACCORDO GOMITO 3/8+3/8 MOTOPOMPA ASSIE	CONNECTOR 3/8+3/8 PUMP ASSEMBLY	RACCORD 3/8 + 3/8 ENS. MOTOPOMPE	ANSCHLUSS 3/8 + 3/8 MOTORP. ZUSAMMEN	RACORD ANSAMBLU MOTOPOMPA 3/8+3/8
12	12101 GUARNIZIONE CU/ALIM 3/8 22x17x3	3/8 22x17x3 FEEDER/COPPER SEAL	JOINT CUIVRE/ALIM 3/8 22x17x3	KUPFERDICHTUNG/SPEIS. 3/8 22x17x3	GARNITURA DIN CUPRU PT.ALIMENTARE 3/8 22X1
13	26303001 POMPA FLUID-O-TECH PA 104 NFS 3/8G	PUMP FLUID-O-TECH PO 104 NSF 3/8G	POMPE FLUID-O-TECH PO104 NFS 3/8G	PUMPE FLUID-O-TECH PO 104 NFS 3/8G	POMPA FLUID-O-TECH PA 104 NFS 3/8G
14	26310003 FASCETTA GIUNZIONE POMPA MOTORE	CLAMP MOTOR-PUMP	BANDE MOTEUR-POMPE	SCHELLE MOTOR-PUMPE	BANDA PT.LEGAREA POMPEI LA MOT.
15	15006010 DISTANZIALE POMPA MOTORE RPM	SPACING BAR RPM MOTOR PUMP	ENTRETOISE POMPE	DISTANZSTUECK MOTOR-PUMPE	DISTANTATOR DINTRE MOTOR-POMPA
16	15006011 GIUNTO POMPA MOTORE RPM	RPM MOTOR PUMP JOINT	JOINT DE POMPE	KUPPLUNG PUMPE-MOTOR	LEGATURA DINTRE MOTOR-POMPA
17	83260016R KIT DISACCOPIAMENTO MOTORE-POMPA	KIT COUPLING MOTOR-PUMP	ENSEMBLE DECOUPLAGE MOTEUR POMPE	KIT MOTOR-PUMPE KUPPLUNG	KIT PT.DESPARTIRE MOTOR - POMPA
18	23261 RONDELLA INOX DENTELLATA D4	INOX WASHER D4	RONDELLE INOX D4	STHAL SCHEIBE D4	SAIBA ZIMTATA D4
19	23030 DADO INOX M4 UNI 5587	NUT S.STEEL M4 UNI 5587	ECROU INOX M4 UNI 5587 A2	SCHRAUBENMUTTER INOX M4 UNI 5587 A2	PIULITA DIN INOX M4 UNI 5587 A2



Pos. Cod	Denominazione - IT -	Denomination - GB -	Denomination - FR -	Denomination - DE -	Denumire - RO -
1	78167015 SUPP.MOTORE INC.1>4GR LAVAZZA	MOTORPUMP BEARING INC.1>4GR LAVAZZA	SUPP.MOTEURPOMPE INC.1>4GR LAVAZZA	NORM.MOTORPUMPE INC.1>4GR LAVAZZA	SUPORT PT. MOTOR INC.1>4GR LAVAZZA
2	15105 GOMMA AMMORTIZ.x MOTORE RAF.H2	RUBBER FOR WATER COOLED MOTOR ZEC.	CAOUTCH.POUR MOTEUR REFRROID.EAU ZEC	.GUMMI x WASSERGEKHLTER MOTOR ZEC.	GARN. CAUCIUC PT.AMORT.MOTOR
3	23265 RONDELLA GREMB. INOX 4x12 UNI	INOX WASHER 4x12 UNI	RONDELLE INOX 4x12 UNI	STHAL SCHEIBE 4x12 UNI	SAIBA INOX 4x12 UNI
4	78174 SUPP.MOTORE INCORPORATO R.P.M.	MOTOR BEAR. RPM	SUPPORT MOT. RPM	EINGEBAUTER MOTORHALTER RPM	SUPORT PT. MOTOR INCORPORAT
5	56406 MOTORE RPM NI 230V 50/60HZ H2O ASS	MOTOR RPM 230V 50/60HZ H2O	MOTEUR RPM 230V 50/60HZ H2O	MOTOR RPM 230V 50/60HZ H2O	MOTOR RPM 230V 50/60HZ H2O
6	19062001 CONDENSATORE MOTORE 230V 7UF	MOTOR CAPACITOR 230V 7UF	CONDENSATEUR MOTEUR 230V 7UF	KONDENSATOR MOTOR 230V 7UF	CONDENSATOR MOTOR 230V 7UF
7	12007 GUARNIZIONE KLINGERSIL4400	KLINGERSIL4400 SEAL JOINT	KLINGERSIL4400 POUR BOUCHON	DICHTUNG KLINGER SIL4400 X DECKEL	GARNITURA KLINGERSIL 4400
8	25782 TAPPO FEMMINA 1/4 GAS	1/4 GAS FEMALE TAP	BOUCHON FEMELLE 1/4 GAZ	INNENANSCHLUSSSTÖPSEL 1/4 GAS	DOP FEMEIE 1/4 GAZ
9	23261 RONDELLA INOX DENTELLATA D4	INOX WASHER D4	RONDELLE INOX D4	STHAL SCHEIBE D4	SAIBA ZIMTATA D4
10	23030 DADO INOX M4 UNI 5587	NUT S.STEEL M4 UNI 5587	ECROU INOX M4 UNI 5587 A2	SCHRAUBENMUTTER INOX M4 UNI 5587 A2	PIULITA DIN INOX M4 UNI 5587 A2
11	26310003 FASCETTA GIUNZIONE MOTORE-POMPA	CLAMP MOTOR-PUMP	BANDE MOTEUR-POMPE	SHELLE MOTOR-PUMPE	BANDA PT. LEGAREA POMPEI LA MOT.
12	15006010 DISTANZIALE POMPA MOTORE RPM	SPACING BAR RPM MOTOR PUMP	ENTRETOISE POMPE	DISTANZSTUECK MOTOR-PUMPE	DISTANTATOR DINTRE MOTOR-POMPA
13	15006011 GIUNTO POMPA MOTORE RPM	RPM MOTOR PUMP JOINT	JOINT DE POMPE	KUPPLUNG PUMPE-MOTOR	LEGATURA DINTRE MOTOR-POMPA
14	83260016R KIT DISACCOPIAMENTO MOTORE-POMPA	KIT COUPLING MOTOR-PUMP	ENSEMBLE DECOUPLAGE MOTEUR POMPE	KIT MOTOR-PUMPE KUPPLUNG	KIT PT.DESPARTIRE MOTOR - POMPA
15	26303001 POMPA FLUID-O-TECH PA 104 NFS 3/8G	PUMP FLUID-O-TECH PO 104 NSF 3/8G	POMPE FLUID-O-TECH PO104 NFS 3/8G	PUMPE FLUID-O-TECH PO 104 NFS 3/8G	POMPA FLUID-O-TECH PA 104 NFS 3/8G
16	12101 GUARNIZIONE CU/ALIM 3/8 22x17x3	3/8 22x17x3 FEEDER/COPPER SEAL	JOINT CUIVRE/ALIM 3/8 22x17x3	KUPFERDICHTUNG/SPEIS. 3/8 22x17x3	GARNITURA DIN CUPRU PT.ALIMENTARE 3/8 22X1
17	10005 ANELLO DI ARRESTO INOX DIN472 D11	DIN472 D11 STAINLESS STEEL STOP RING	ANNEAU DE BUTEE INOX DIN472 D11	DRAHTSPRENGRING ROSTFREI DIN472 D11	INEL DIN INOX DE OPRIRE DIN 472 D11
18	10254 FILTRO ACCIAIO 160-200 MESH	STEEL FILTER 160-200 MESH	FILTRE EN ACIER 160-200 MESH	STAHLFILTER 160-200 MESH	FILTRU DIN OTEL 160-200 MESH
19	43052 RACCORDO "L" 3/8	CONNECTOR 'L' 3/8	RACCORD 'L' 3/8	ANSCHLUSS 'L' 3/8	RACORD "L" 3/8.
20	56116001 RACCORDO GOMITO 3/8+3/8 MOTOPOMPA ASSIE	CONNECTOR 3/8+3/8 PUMP ASSEMBLY	RACCORD 3/8 + 3/8 ENS. MOTOPOMPE	ANSCHLUSS 3/8 + 3/8 MOTORP. ZUSAMMEN	RACORD ANSAMBLU MOTOPOMPA 3/8+3/8
21	30404 TUBOFLEX 3/8 FF P.GOMMA L45 Ni	FLEX PIPE 3/8 L45 CONICAL	TUYAU FLEX 3/8 FF L45 PORTE-TUYAU	SCHLAUCH 3/8 AUFNAHMETR L45 GUMMI KONI	TUB FLEXIBIL DIN CAUCIUC 3/8 FF ,L45
22	30408 TUBOFLEX 3/8FF P.GOMMA L150 NI	FLEX PIPE 3/8 L150	TUYAU FLEX 3/8 FF L150 PORTE-TUYAU	SCHLAUCH 3/8 AUFNAHMETR L150 GUMMI KONI	TUB FLEXIBIL 3/8FF L150 Ni.
23	52005013 TUBO D-6 L.125 FM14	TUBE D-6 L.125 FM14	TUYAU D-6 L.125 FM14	ROHR D-6 L.125 FM14	TUB D-6 L.125 FM14

ADD

INDICE - INDEX - SOMMAIRE - VERZEICHNIS-INDEX

ADD-80

ADDOLCITORI - WATER SOFTENER
ADOUCCISSEUR - ENTHARTER - DEDURIZATOR

rev.

00
12/2012

ADDOLCITORI

WATER SOFTENER

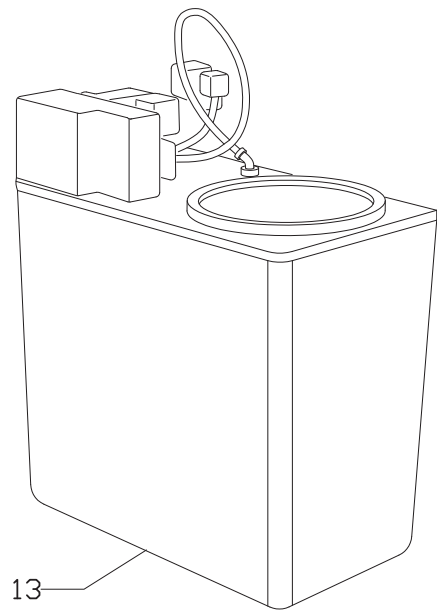
ADOUCCISSEUR

ENTHARTER

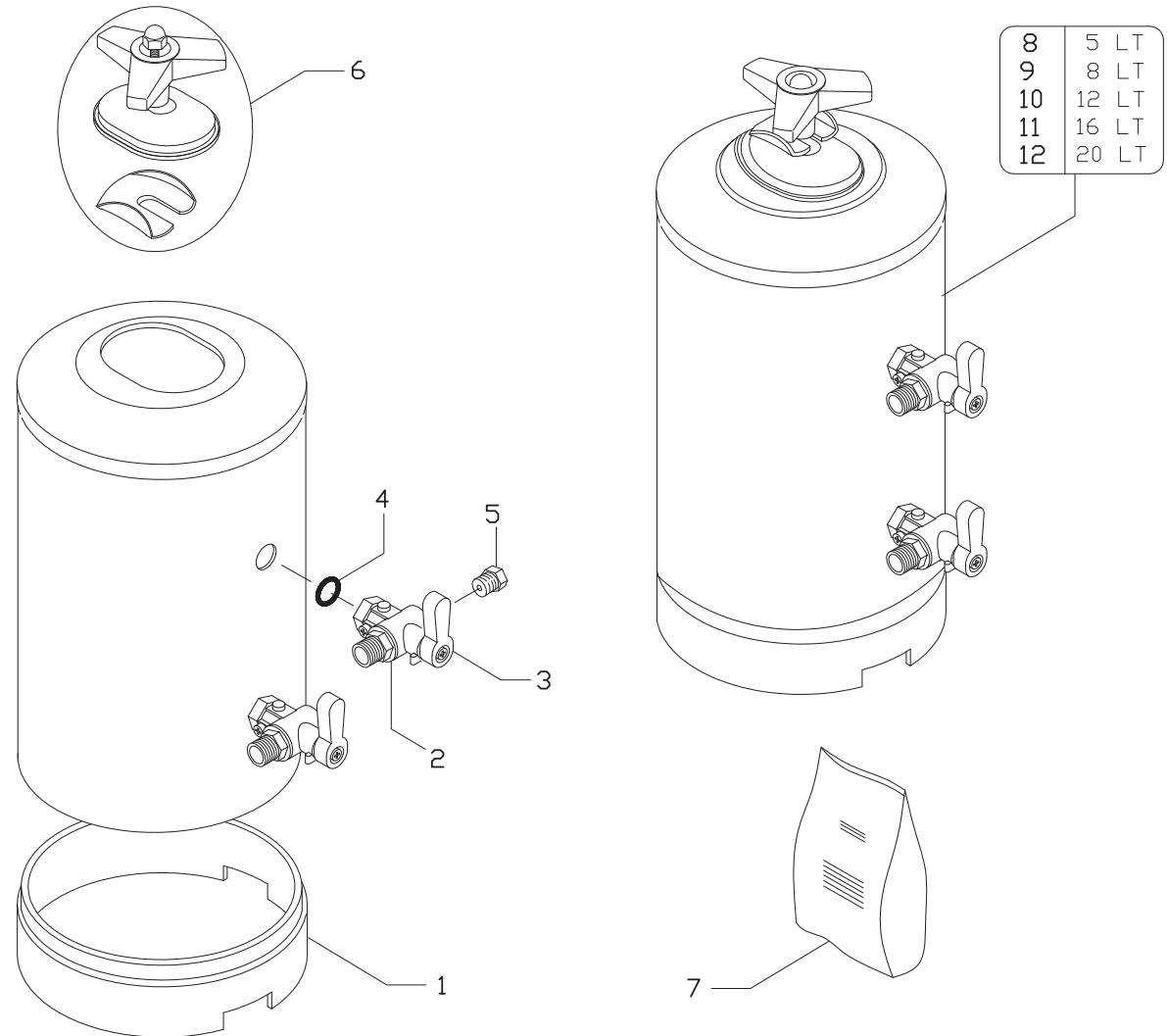
DEDURIZATOR

FORMA

AUTOMATICO - AUTOMATIC
AUTOMATIQUE - AUTOMATISCHE



RESINE - RESIN
KUNSTHARZ



Pos.Cod	Denominazione - IT -	Denomination - GB -	Denomination - FR	Denomination - DE -	Denumire - RO -
1 28072	FONDELLO ADDOLCITORE	SOFTENER PLASTIC LOWER BASE	CULOT ADOUCISSEUR	BODEN ENTKALKER	SUPPORT DEDURIZATOR
2 28284	RUBINETTO PER ADDOLCITORE+MANOPOLA	TAP FOR SOFTENER	ROBINET POUR ADOUCISSEUR	HAHN FR ENTHRTER	ROBINET SI MANER PT.DEDURIZATOR
3 28203	MANOPOLA ROSSA RUBINETTO ADDOLCIT.	RED HANDLE x WATER SOFTENER TAP	POIGNEE ROUGE x ROBINET ADOUCISSEUR	ROTER HANDGRIFF x ENTKALKERHAHN	MANER ROSU PT.DEDURIZATOR
4 12300	GU OR 113 HNBR 70SH VERDE	O RING GASKET 113 NBR/70	JOINT OR 113 NBR/70	OR-DICHTUNG 113 NBR/70	GARNITURA 113 HNBR 70SH VERDE
5 10320500	GIGLER OT x ADD. M6 FORO D-1 R13	SOFTENER LOWER TAP GIGLEUR	GICLEUR LAITON POUR ADOU. M6 x D-1	VERMESSINGTE ENTKALKER M6 D-1	JIGLER ALAMA OT.DEDUR.M6 D-1 R1
6 28205001	TAPPO ADDOLCITORE COMPLETO C20	SOFTENER COMPLETE TOP LID	BOUCHON ADOUCISSEUR	DECKEL FUER ENTKAELKER	CAPAC COMPLET PT. DEDURIZATOR C
7 28283	SACCO RESINA PER ADDOLCITORE 25 kg.	SOFTENER RESIN 25 kg.	RESINE ADOUCISSEUR 25 kg.	KUNSTHARZ FUR ENTKALKER 25 kg.	RASINI PT. DEDURIZATOR 25 kg.
8 26029	ADDOLCITORE DVA LT 5	DVA 5 LT WATER SOFTENER LT 5	ADOUCISSEUR DVA LT 5	ENTKALKER DVA LT 5	DEDURIZATOR DVA LT 5
9 26030	ADDOLCITORE DVA LT 8	DVA 8 LT WATER SOFTENER L T8	ADOUCISSEUR DVA LT 8	ENTHRTER DVA LT 8	DEDURIZATOR DVA LT 8
10 26031	ADDOLCITORE DVA LT 12	DVA 12 LT WATER SOFTENER LT 12	ADOUCISSEUR DVA LT 12	ENTHRTER DVA LT 12	DEDURIZATOR DVA LT 12
11 26032	ADDOLCITORE DVA LT 16	DVA 16 LT WATER SOFTENER LT 16	ADOUCISSEUR DVA LT 16	ENTHRTER DVA LT 16	DEDURIZATOR DVA LT 16
12 26038011	ADDOLCITORE DVA LT 20	DVA 20 LT WATER SOFTENER LT 20	ADOUCISSEUR DVA LT 20	ENTHRTER DVA LT 20	DEDURIZATOR DVA LT 20
13 26037	ADDOLC.AUT.CABIN.LT 8 DM 01 3/8"	AUTOMATIC WATER SOFTENER LT 8	ADOUCISSEUR AUTOMATIQUE LT 8	AUTOMATISCHE ENTHARTER DVA LT 8	DEDURIZATOR AUTOMAT LT8



FPFM

INDICE - INDEX - SOMMAIRE - VERZEICHNIS-INDEX

FPFM-90

FILTRI E PORTAFILTRI - FILTERS & FILTER SUPPORT
FILTRE ET PORTE FILTRE - FILTER UND FILTERHALTERUNG - FILTRE SI PORTAFILTRE

rev.

00
12/2012

**FILTRI E
PORTAFILTRI**

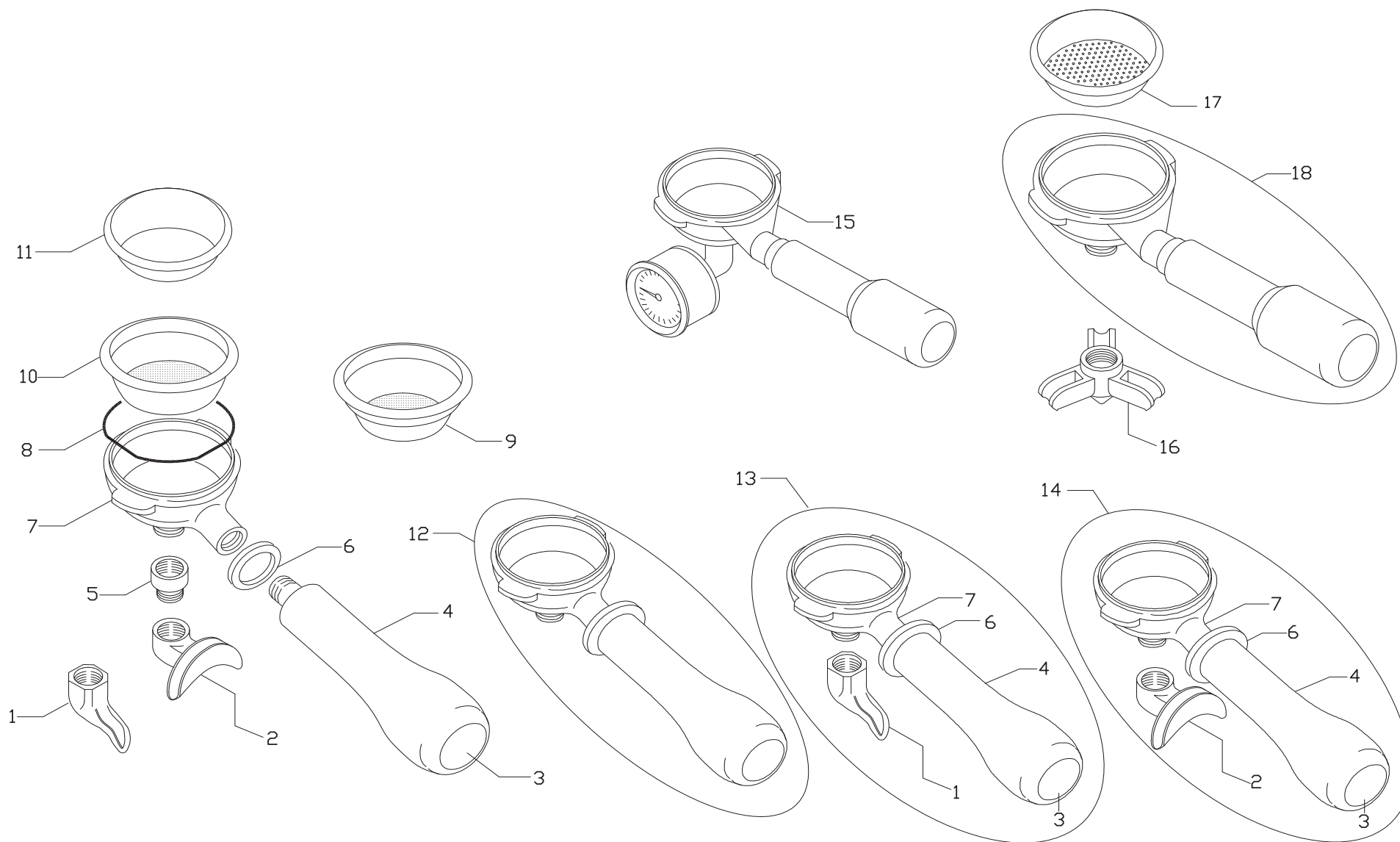
**FILTERS &
FILTER SUPPORT**

**FILTRE ET
PORTE FILTRE**

**FILTER UND
FILTERHALTERUNG**

**FILTRE SI
PORTAFILTRE**

FORMA



Pos.Cod	Denominazione - IT -	Denomination - GB -	Denomination - FR -	Denomination - DE -	Denumire - RO -
1	27032001 BECCUCCIO OTT/NI 1 TAZZA "CMA 01"	BRASS SPOUT/NI 1 LONG CUP	BEC LAITON/NICKELE 1 TASSE LONG	AUSGUSS MESSING/NICKEL 1 TASSE LANG	CIOC DIN ALAMA PT.O CEASCA"CMA 01"
2	27042001 BECCUCCIO OTT/NI 2 TAZZE "CMA 01"	2 CUPS BRASS/NICKEL SPOUT	BEC 2 TASSES LAITON/NICKEL	MESSING/NICK. SCHNABEL FR 2 TASSEN	CIOC DIN ALAMA PT.2 CESTI"CMA 01"
3	15486006 TAPPO MANOP.PORTAFILTRO CMA*01"CROMAT	CAP FILTER HOLDER KNOB	BOUCHON POIGNEE PORTE-FILTRE	GRIFFVERSCHLUSS FILTERHALTER	DOP MANER PORTAFILTRU"CMA 01"CROMAT
4	15263010 MANOP.PORTAFILTRO"CMA01"NERA+INSERTO	FILTER HOLDER KNOB	POIGNEE PORTE-FILTRE	FILTERHALTER GRIFF	MANER PORTAFILTRU "CMA 01" NEGRU
5	27060201 PROLUNGA BECC. 1/2 TAZZE *99*	EXTENSION SPOUT	PROLONGE BEC	VERLANGERUNG	PRELUNGIRE CIOC CURGERE 1/2 TAZZE *99*
6	15296010 GHIERA ANTISCOTTATURA MANOP.CMA"04"	ANTI-SCORCH PLASTIC RING	RONDELLE ANTI-BRULURE POUR POIGNEE	RING FUER SIEBTRAEGER	INEL PLASTIC PT.MANER IMPOT.ARDERII
7	27311 PORTAFILTRO CMA'01 LAV+CROM	FILTER-HOLDER	PORTE-FILTRE	FILTERHALTER CHROM	PORTAFIL. CMA'01LAV+CROM(FARA MANER)
8	27254 MOLLA FERMAFILTRO D-1,4	FILTER CLAMP SPRING D-1,4	RESSORT BLOCAGE-FILTRE D-1,4	FILTERHALTEFEDER D-1,4	ARC PT. PORTAFILTRU
9	27142 FILTRO INOX 1 TAZZA E/61+CAN. P.1,5	E/61 1 CUP S.STEEL FILTER H24+DUCT	FILTRE IN.1 TASSE E/61 H24+RIGOLE	EDELSTAHL-FILT.1 TASSE E/61 H24+FUE	FILTRU IN.PT.O CESACA E/61+CAN.P1,5
10	27171 FILTRO INOX 2 TAZZE E/61+CAN. P.1,5	E/61 2 CUP S.STEEL FILTER H24,5+DUC	FILTRE IN.2 TASSES E/61 H24,5+RIGOLE	EDELSTAHL-FILT.2 TASSEN E/61 H24,5	FILTRU IN.PT.2 CESTI E/61+CAN.P1,5
11	27173 FILTRO INOX 2 TAZZE CIECO	2 CUP STAINLESS STEEL BLIND FILTER	FILTRE INOX 2 TASSES AVEUGLE	GESCHLOSSENER FILTER 2 TASSEN	FILTRU DIN INOX PT.2 CESTI ORB
12	27311000 PORTAFILTRO "CMA 01"LAV+CROM+MANOPOL	FILTER HOLDER UNIT	ENSEMBLE PORTE-FILTRE	FILTERHALTER SATZ	PORTAFILTRU CU MANER CROMAT"CMA 01"
13	27311050 PORTAFILTRO CMA 1 TAZZA	ONE CUP-FILTERHOLDER+SINGLE SPOUT	PORTE-FILTRE 1 TASSE	SIEBTRAGER+AUSLAUF 1 TASSE	PORTAFILTRU CMA PT. 1 CEASCA
14	27311051 PORTAFILTRO CMA 2 TAZZE	TWO CUPS-FILTERHOLDER+DOUBLE SPOUT	PORTE-FILTRE 2 TASSES	SIEBTRAGER+AUSLAUF 2 TASSEN	PORTAFILTRU CMA PT. 2 CESTI
15	56009901 PORTAFILTRO 27203 MODxPROVE FILTRI	FILT.HOLDER MOD.FOR SEMIAUTO MACH.	PORTE-FILTRE AVEC MANOMETRE	FILTERHALTER FUER FILTERPROBE	PORTAFILTRU PT. PROBE CU MANOMETRU
16	27050 BECCUCCIO OTT/NI 3 TAZZE CORTO	BRASS SPOUT /NI 3 SHORT CUPS	BEC LAITON/NICKELE 3 TASSES COU	AUSGUSS OTT/NI 3 TASSEN KURZ	CIOC DIN ALAMA PT.O CEASCA
17	27190 FILTRO INOX 3 TAZZE 304/28	3 CUP STAINLESS STEEL FILTER 304/28	FILTRE INOX 3 TASSES 304/28	ROSTFREIER FILTER 3 TASSEN 304/28	FILTRU IN.PT. 3 CESTI
18	27304 PORTAFILTRO	FILTER SUPPORT	PORTE-FILTRE	FILTERHALTERUNG	PORTAFILTRU

ACC

INDICE - INDEX - SOMMAIRE - VERZEICHNIS-INDEX

ACC-100

ACCESSORI - ACCESSORIES
ACCESSOIRES - ZUBEHOR - ACCESORII

rev.

00
12/2012

ACCESSORI

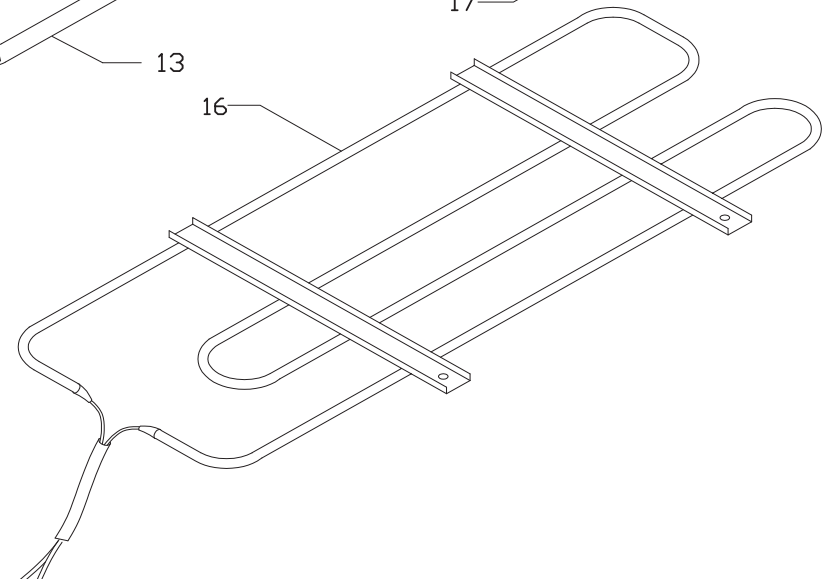
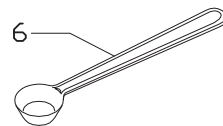
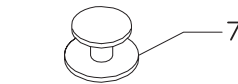
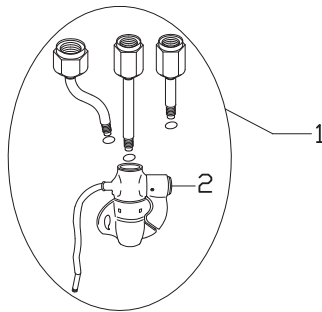
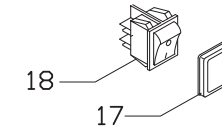
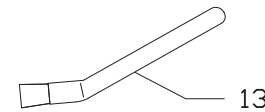
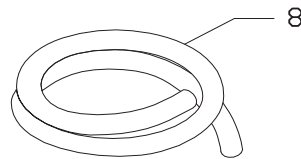
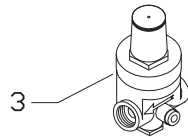
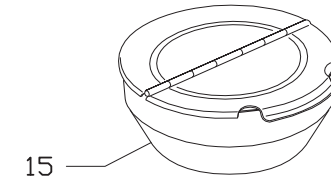
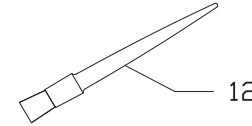
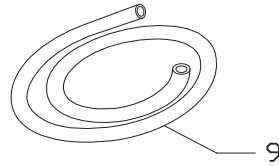
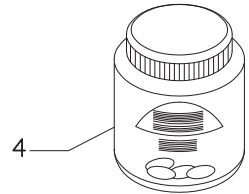
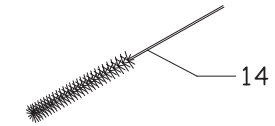
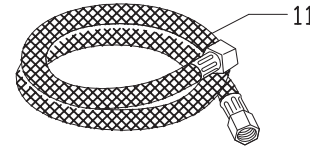
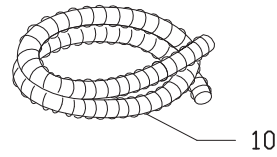
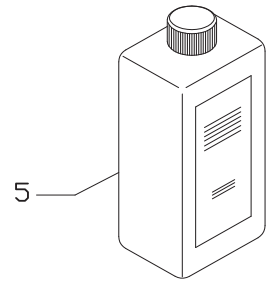
ACCESSORIES

ACCESSOIRES

ZUBEHOR

ACCESORII

FORMA



Pos.Cod	Denominazione - IT -	Denomination - GB -	Denomination - FR -	Denomination - DE -	Denumire - RO -
1	83300012R KIT CAPPUCCINATORE GPR STANDAR	KIT CAPPUCCINO MAKER GPR STANDAR	KIT CAPPUCCINO GPR STANDAR	KIT CAPPUCCINOGERAET	KIT CAPPUCCINO
2	30515000 CAPPUCCINATORE COMPLETO GPR 0.50.01	CAPPUCCINO MAKER COMPLETE	KIT CAPPUCCINO COMPLET	CAPPUCCINO ZUBEREITER	DISP. CAPPUCCINO COMP.GPR 0.50.01
3	26330 RIDUTTORE PRESS.STANDARD PN25 DN3/8	STANDARD PRESS. REDUCTOR PN25 DN3	REDUCTEUR PRESS.STANDARD PN25 DN3/	DRUCKREDUZIERER STANDARD PN25 DN3/8	REDUCTOR STAND.DE PRES.PN25 DN3/8
4	8452 DETERGENTE KMR pastiglie CONF.200pz	KMR PACK OF 200 TAB	DETERG.KMR CONF.200 PASTIL	REINIGUNGSM. KMR PACK 200 TABL	DETER.KMR PT.CURAT.APARTE DE CAFEA
5	8453 DETERGENTE V7000 CONF.1Lt	DETERGENT V7000 - 1 LT. PACK	DETERGENT V7000 de 1 lt	REINIGUNGSMITTEL V7000 PACKUNG 1 L	DETER. V7000 PT.CURAT.KIT DE CAPP.
6	15290 MISURINO IN PLASTICA gr.7	7 gr PLASTIC MEASURE	MESURE EN PLASTIQUE 7 gr.	PLASTIKMESSBECHER gr.7	DOZA DE CAFEA NECES.PT 1CAFEA-7gr.
7	15420 PRESSINO CAFFE'	COFFEE PRESS	PRESSE CAFE	EINDRCKVORRICHTUNG	PRESATOR CAFEA DIN PLASTIC
8	15458 TUBO RETINATO CRISTALLINO 16x10	TUBE 16x10	TUYAU 16x10	ROHR 16x10	FURTUN 16x10
9	15476 TUBO SILICONE 5x8 KGxMt 0.044	5x8 SILICONE PIPE	TUYAU SILICONE 5x8 KGxMt 0.04	SILIKONROHR 5x8 KGxMt 0.044	FURTUN DIN SILICON 5x8 KGxMt 0.044
10	15470001 TUBO CAVOFLEX D16 SCARICO	D16 CAVOFLEX DRAIN PIPE	TUYAU CAVOFLEX D16 SCARICO	ABFLUSSROHR CAVOFLEX D16	FURTUN FLEXIBIL PT. SCURGERE D16
11	30401 TUBOFLEX 1/4FF P.GOMMA CON. L28 Ni	1/4 FEMALE L28 FLEX PIPE CONIC.HOSE	TUYAU FLEX 1/4 FF L28 PORTE-TUYAU	SCHLAUCH 1/4 AUFNAHMETR L28 GUM.KONI	FURTUN DIN CAUCIUC 1/4FF, L28NI
11	30403 TUBOFLEX 3/8FF P.GOMMA CON. L33 Ni	3/8 FEMALE L33 FLEX PIPE CONIC.HOSE	TFUYAU FLEX 3/8 FF L33 PORTE-TUYAU	SCHLAUCH 3/8 AUFNAHMETR L33 GUM.KONI	FURTUN DIN CAUCIUC 3/8, L33 NI
11	30404 TUBOFLEX 3/8 FF P.GOMMA CON. L45 Ni	3/8 FEMALE L45 FLEX PIPE CONIC.HOSE	TUYAU FLEX 3/8 FF L45 PORTE-TUYAU	SCHLAUCH 3/8 AUFNAHMETR L45 GUM.KONI	FURTUN DIN CAUCIUC 3/8, L45 NI
11	30407 TUBOFLEX 3/8FF P.GOMMA CON. L100 Ni	3/8 FEMALE L100 FLEX PIPE CONIC.HOS	ETUFYAU FLEX 3/8 FF L100 PORTE-TUYAU	SCHLAUCH 3/8 AUFNAHMETR L100 GUM.KONI	FURTUN DIN CAUCIUC 3/8, L100 NI
11	30408 TUBOFLEX 3/8FF P.GOMMA CON. L150 Ni	3/8 FEMALE L150 FLEX PIPE CONIC.HOS	ETUFYAU FLEX 3/8 FF L150 PORTE-TUYAU	SCHLAUCH 3/8 AUFNAHMETR L150 GUM.KONI	FURTUN DIN CAUCIUC 3/8, L150 NI
12	8340 PENNELLO MANICO ROSSO	CAPPUCCINO MAKER COMPLETE	KIT CAPPUCCINO COMPLET	CAPPUCCINO ZUBEREITER	PERIE CU MANER ROSU
13	15426 SPAZZOLINO NERO SETOLE NYLON CORTE	SHORT BLACK NYLON BRISTLE BRUSH	PETITE BROSSE NOIR AVEC POILS NYLO	NKURZE, SCHWARZE NYLONBUERSTE	PERIE NEAGRA CU PERI DIN NAYLON SC
14	15426001 SCOVOLINO INTERDENTALE L MAN.ROSSO	MANUAL TUBE BRUSH L RED M	ECOUVILLON L MANUEL ROUGE M	REINIGUNGSBUERSTE MANUELL ROT	PERIUTA PT.CURATA ROSIE
15	30300 ZUCCHERIERA INOX	STAINLESS STEEL SUGAR-BOWL	SUCRIER INOX	ZUCKERDOSE ROSTFREI	ZAHARNITA INOX
16	17022 RES.2GR 230V 200W SCTE	HEATING ELEMENT 2GR 230V 200W	RESISTANCE 2GR 230V 200W	WIDERSTAND 2GR 230V 200W	REZ.EL.PT.SIST.DE INCALZ.CESTI 2GR
16	17023 RES.3GR 230V 250W SCTE	HEATING ELEMENT 3GR 230V 250W	RESISTANCE 3GR 230V 250W	WIDERSTAND 3GR 230V 250	REZ.EL.PT.SIST.DE INCALZ.CESTI 3GR
17	19049 COPERTURA INTERR.MOLVENO B4PRT1	SWITCH COVER	PROTECTION INTERRUPTEUR	SCHALTER ABD.	PROTECTIE INTRERUP.MOLVENO B4PRT1
18	18263 INT.BIP.NERO LED LUMIN.ROSSO	BIP. LUMIN. BLACK SWITCH	INTER.BIP.LUMIN. NOIR	ZWEIP.SCHALTER M. SCHWARZ LEUCHTE	INTRERUP.BIPOLAR NEGRU CU LED ROSU