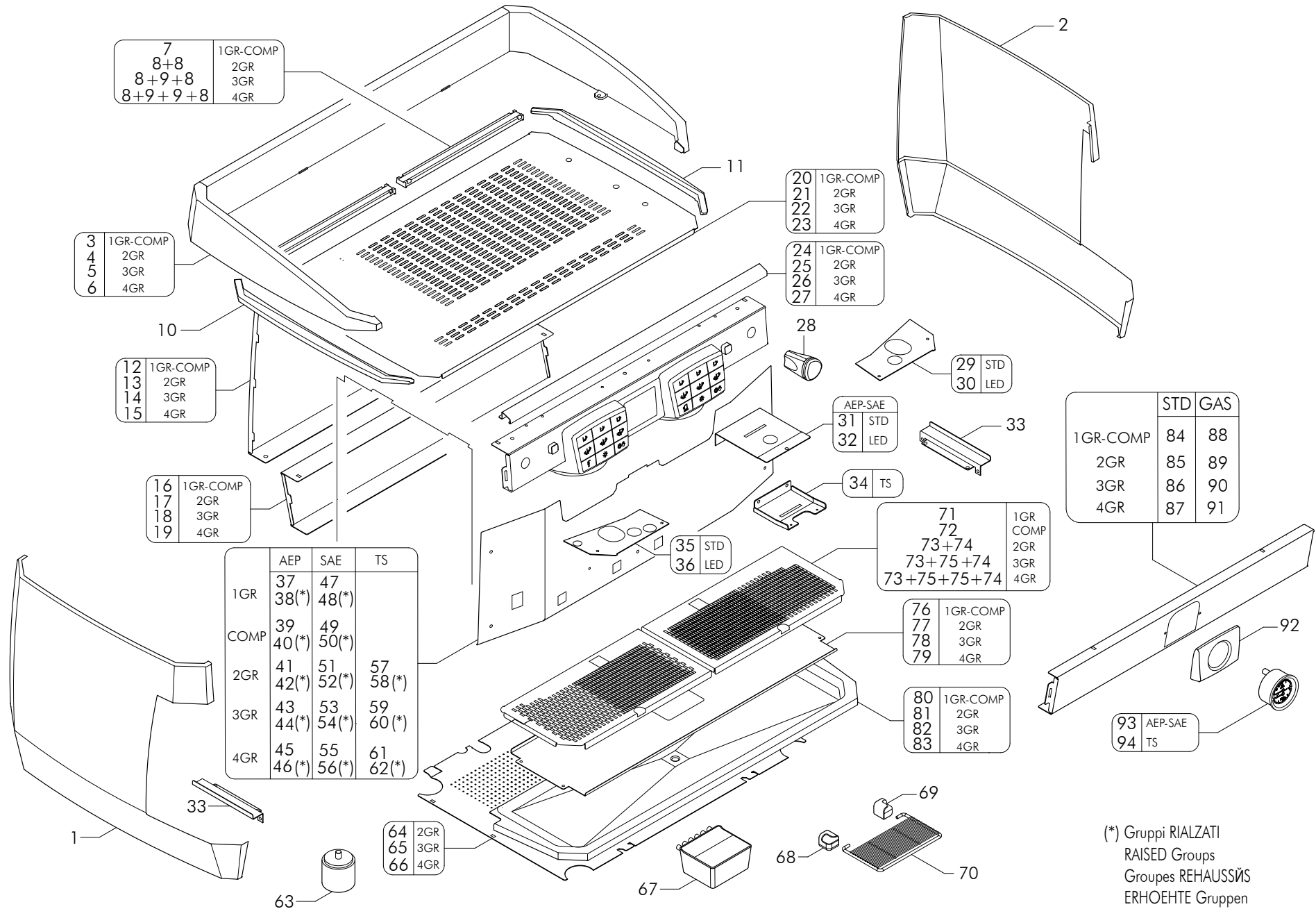


CORE 600

Parti di ricambio - Spare parts - Pieces detachees - Ersatzteilkatalog

| Tav. | | Pag. | Rev. | Data |
|--|---|------|------|---------|
| Carrozzeria - Body parts - Carrosserie - Karosserie | | | | |
| C6-01 | Inox - S.Steel - Inox - Stahl | 02 | 00 | 03/2017 |
| C6-02 | Rosso - Red - Rouge - Rot | 06 | 00 | 03/2017 |
| C6-03 | Bianco - White - Blanc - Weiss | 10 | 00 | 03/2017 |
| Frontone - Front Panel - Panneau Frontal - Stirntafel | | | | |
| C6-04 | Inox - S.Steel - Inox - Stahl | 14 | 00 | 03/2017 |
| C6-05 | Rosso - Red - Rouge - Rot | 16 | 00 | 03/2017 |
| C6-06 | Bianco - White - Blanc - Weiss | 18 | 00 | 03/2017 |
| C6-11 | Pulsantiere - Push buttons - Claviers - Tastaturen | 20 | 00 | 03/2017 |
| Lancia - Tube - Tuyau - Rohr | | | | |
| C6-21 | Vapore - Steam - Vapeur - Dampf | 22 | 00 | 03/2017 |
| C6-22 | Acqua - Water - Eau - Wasser | 24 | 00 | 03/2017 |
| C6-23 | Autosteamer | 26 | 00 | 03/2017 |
| Gruppo - Group - Groupe - Gruppe | | | | |
| C6-31 | CTS'03 | 28 | 00 | 03/2017 |
| C6-32 | CTS'05 | 30 | 00 | 03/2017 |
| Caldaia - Boiler - Chaudiere - Kessel | | | | |
| C6-41 | 1GR | 32 | 00 | 03/2017 |
| C6-43 | 2GR | 34 | 00 | 03/2017 |
| C6-44 | 3GR | 36 | 00 | 03/2017 |
| C6-45 | 4GR | 38 | 00 | 03/2017 |
| Impianti idraulici - Hydraulic circuits - Circuits hydrauliques - Wasser anlage | | | | |
| C6-53 | AEP 2GR CTS '03 | 40 | 00 | 03/2017 |
| C6-54 | AEP 3GR CTS '03 | 43 | 00 | 03/2017 |
| C6-58 | AEP 2GR CTS '05 | 46 | 00 | 03/2017 |
| C6-59 | AEP 3GR CTS '05 | 49 | 00 | 03/2017 |
| C6-63 | SAE 2GR | 52 | 00 | 03/2017 |
| C6-64 | SAE 3GR | 55 | 00 | 03/2017 |
| C6-66 | TS 2GR | 58 | 00 | 03/2017 |
| C6-67 | TS 3GR | 61 | 00 | 03/2017 |

| Tav. | | Pag. | Rev. | Data |
|--|---|------|------|---------|
| Impianti elettrici - Electrical systems - Circuits electriques - Strom anlage | | | | |
| C6-71 | AEP/SAE/TS | 64 | 00 | 03/2017 |
| C6-72 | Scaldatazze - Cup heating - Chauffe tasses - Tassenwarmer | 67 | 01 | 06/2017 |
| C6-73 | LED | 69 | 01 | 06/2017 |
| C6-74 | Impianto Gas - Gas systems - Installation Gaz - Gasanlage | 71 | 00 | 03/2017 |
| Motopompa - Motor pump - Motopompe - Motor pump | | | | |
| C6-81 | Interna - Internal - Intérieur - Innen | 73 | 00 | 03/2017 |
| C6-82 | Esterna - External - Externe - Extern | 75 | 00 | 03/2017 |
| C6-91 | Filtri e portafiltri - Filters & filters holder - Filtres et porta filtres - Filter und filterhalter | 77 | 00 | 03/2017 |



(*) Gruppi RIALZATI
RAISED Groups
Groupes REHAUSSÉS
ERHOEHTE Gruppen

INOX - S.STEEL - INOX - STAHL

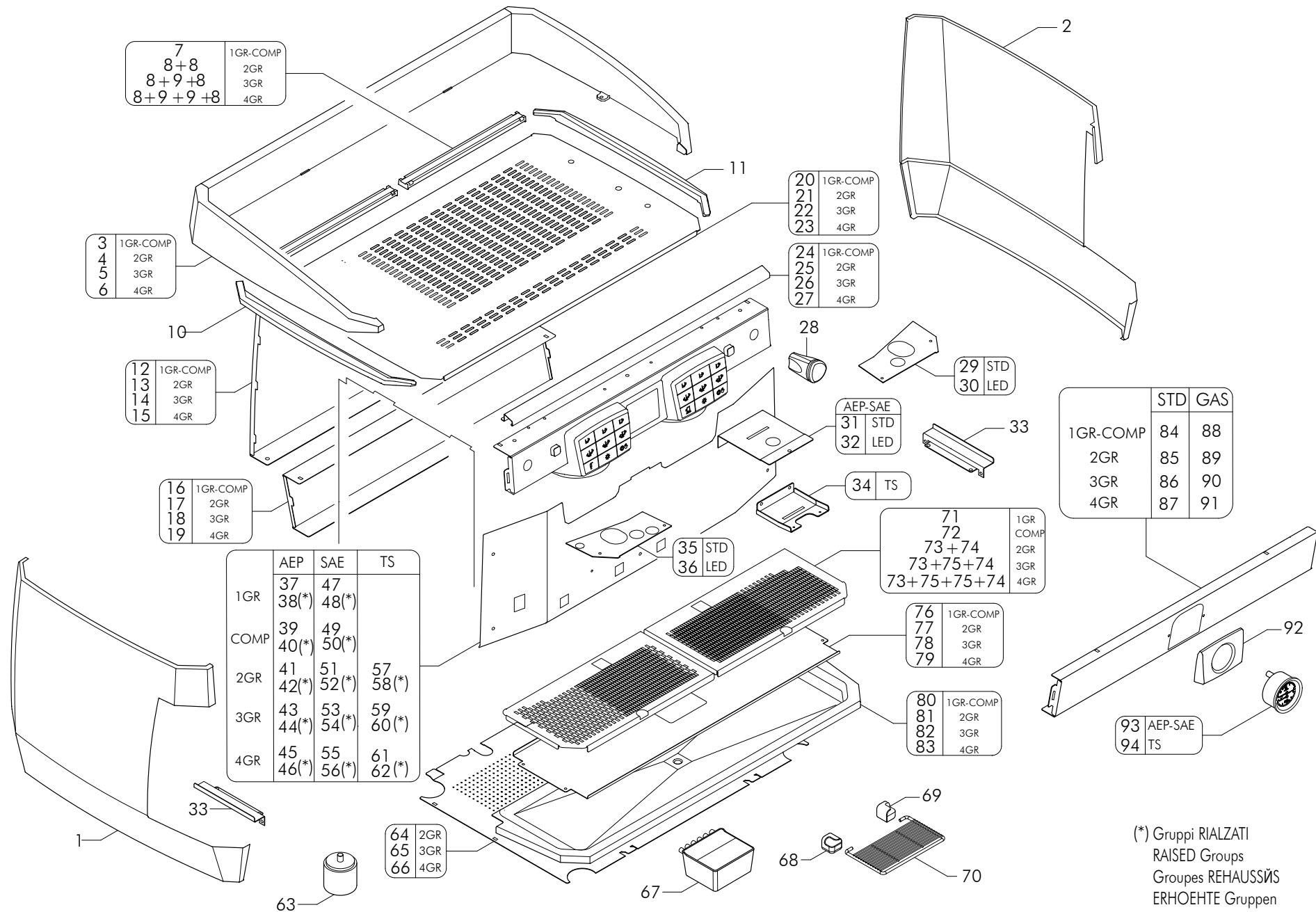
| Pos | Cod. | Denominazione - IT - | Denomination - GB - | Denomination - FR - | Denomination - DE - |
|-----|----------|-------------------------------------|--|--------------------------------------|--------------------------------------|
| 1 | 73130317 | FIANCO SINISTRO COMPLETO | LEFT SIDE | COTE GAUCHE | LINKE SEITE |
| 2 | 73130316 | FIANCO DESTRO COMPLETO | RIGHT SIDE | COTE DROIT | RECHTS SEITE |
| 3 | 15028199 | PROFILO FERMATAZZE COMPLETO 1GR | STOP CUPS 1GR | ARRET TASSES PROFIL 1GR | STOP TASSEN PROFIL 1GR |
| 4 | 15028200 | PROFILO FERMATAZZE COMPLETO 2GR | STOP CUPS 2GR | ARRET TASSES PROFIL 2GR | STOP TASSEN PROFIL 2GR |
| 5 | 15028201 | PROFILO FERMATAZZE COMPLETO 3GR | STOP CUPS 3GR | ARRET TASSES PROFIL 3GR | STOP TASSEN PROFIL 3GR |
| 6 | 15028202 | PROFILO FERMATAZZE COMPLETO 4GR | STOP CUPS PROFILE 4GR | ARRET TASSES PROFIL 4GR | STOP TASSEN PROFIL 4GR |
| 7 | 15028194 | SUPP.LED PROFILO FERMATAZZE MODULO | STOP CUPS PROFILE | ARRET TASSES PROFILE | STOP TASSEN PROFIL |
| 8 | 15028192 | SUPP.LED PROFILO FERMATAZZE MODULO | STOP CUPS PROFILE | ARRET TASSES PROFILE | STOP TASSEN PROFIL |
| 9 | 15028193 | SUPP.LED PROFILO FERMATAZZE MODULO | STOP CUPS PROFILE | ARRET TASSES PROFILE | STOP TASSEN PROFIL |
| 10 | 15028191 | SUPP.LED PROFILO FERMATAZZE SX | LEFT LED SUPPORT | SOUTENIR GAUCHE LED | UNTERSTUTZEN LINKE LED |
| 11 | 15028190 | SUPP.LED PROFILO FERMATAZZE DX | RIGHT LED SUPPORT | SOUTENIR DROIT LED | UNTERSTUTZEN RECHTE LED |
| 12 | 75289100 | PANNELLO POSTERIORE 1GR INOX | BACK PANEL 1GR | PANNEAU POST. 1GR | RUCKSEITE 1GR |
| 13 | 75289101 | PANNELLO POSTERIORE 2GR INOX | BACK PANEL 2GR | PANNEAU POST. 2GR | RUCKSEITE 2GR |
| 14 | 75289102 | PANNELLO POSTERIORE 3GR INOX | BACK PANEL 3GR | PANNEAU POST. 3GR | RUCKSEITE 3GR |
| 15 | 75289104 | PANNELLO POSTERIORE 1GR BIANCO 9 | BACK PANEL 1GR WHITE | PANNEAU POST. 1GR BLANC | RUCKSEITE 1GR WEISS |
| 16 | 77487008 | PROFILO BASAMENTO POST.1GR INOX/LUC | S.STEEL BASE SURROUND 1GR | PROFILS BASE 1GR INOX | GRUNDPROFIL 1GR STAHL |
| 17 | 77487009 | PROFILO BASAMENTO POST.2GR INOX/LUC | S.STEEL BASE SURROUND 2GR | PROFILS BASE 2GR INOX | GRUNDPROFIL 2GR STAHL |
| 18 | 77487010 | PROFILO BASAMENTO POST.3GR INOX/LUC | S.STEEL BASE SURROUND 3GR | PROFILS BASE 3GR INOX | GRUNDPROFIL 3GR STAHL |
| 19 | 77487011 | PROFILO BASAMENTO POST.4GR INOX/LUC | S.STEEL BASE SURROUND 4GR | PROFILS BASE 4GR INOX | GRUNDPROFIL 4GR STAHL |
| 20 | 76100268 | GRIGLIA SUPERIORE 1GR INOX | TOP GRATE 1GR | GRILLE SUP. 1GR | OBERGITTER 1GR |
| 21 | 76100269 | GRIGLIA SUPERIORE 2GR INOX | TOP GRATE 2GR | GRILLE SUP. 2GR | OBERGITTER 2GR |
| 22 | 76100270 | GRIGLIA SUPERIORE 3GR INOX | TOP GRATE 3GR | GRILLE SUP. 3GR | OBERGITTER 3GR |
| 23 | 76100271 | GRIGLIA SUPERIORE 4GR INOX | TOP GRATE 4GR | GRILLE SUP.4GR | OBERGITTER 4GR |
| 24 | 77169117 | PROFILO ANTERIORE FERMATAZZE 1GR | FRONT PROFILE 1GR | BARRE DE CHARGE 1GR | FRONTPROFIL 1GR |
| 25 | 77169118 | PROFILO ANTERIORE FERMATAZZE 2GR | FRONT PROFILE 2GR | BARRE DE CHARGE 2GR | FRONTPROFIL 2GR |
| 26 | 77169119 | PROFILO ANTERIORE FERMATAZZE 3GR | FRONT PROFILE 3GR | BARRE DE CHARGE 3GR | FRONTPROFIL 3GR |
| 27 | 77169120 | PROFILO ANTERIORE FERMATAZZE 4GR | FRONT PROFILE 4GR | BARRE DE CHARGE 4GR | FRONTPROFIL 4GR |
| 28 | 15278058 | MANOPOLA COMPLETA RUBINETTO | COMPLETE KNOB | POIGNEE COMPLET | HAHGRIF |
| 29 | 77279028 | COPRIMPIANTO DX 2-4GR INOX/LUC | S.STEEL CABLE COVER RIGHT | COUVRE-CABLAGE DROIT INOX | VERDRAHTUNDECKEL RECHTS STAHL |
| 30 | 77279030 | COPRIMPIANTO+LED DX 2-4GR INOX/L | S.STEEL CABLE COVER+LED RIGHT | COUVRE-CABLAGE+LED DROIT INOX | VERDRAHTUNDECKEL+LED RECHTS STAHL |
| 31 | 77279032 | COPRIMPIANTO CENTRALE 2-4GR INOX | S.STEEL CENTRAL CABLE COVER | CENTRALE COUVRE-CABLAGE INOX | ZENTRAL VERDRAHTUNDECKEL STAHL |
| 32 | 77279033 | COPRIMPIANTO+LED CENTRALE 2-4GR | S.STEEL CABLE COVER+LED CENTRAL | CENTRALE COUVRE-CABLAGE+LED INOX | ZENTRAL VERDRAHTUNDECKEL+LED STAHL |
| 33 | 77742041 | GUIDA BACINELLA DESTRA/SINISTRA | RIGHT/LEFT BASIN GUIDE FOR FRAMES | GUIDE DROIT/GAUCHE CUVE POUR CHASSIS | FUHRUNG RECHTS/LINKS SCHCALE FUR RAH |
| 34 | 77230001 | SUPP.FRONTALINO DISPLAY | PANEL SUPPORT | SUPPORT FRONTAL | STIRNBAUTEIL |
| 35 | 77279029 | COPRIMPIANTO 2-4GR INOX/LUC | S.STEEL CABLE COVER | COUVRE-CABLAGE INOX | VERDRAHTUNDECKEL STAHL |
| 36 | 77279031 | COPRIMPIANTO+LED SX 2-4GR INOX/L | S.STEEL CABLE COVER+LED LEFT | COUVRE-CABLAGE+LED GAUCHE INOX | VERDRAHTUNDECKEL+LED LINKE STAHL |
| 37 | 77044500 | COPRICALDAIA CTS AEP-1/GR.STD INOX | S.STEEL BOILER COVER AEP/1 | COUVRE-CHAUDIERE AEP/1 INOX | KESSELDECKEL AEP/1 STAHL |
| 38 | 77044505 | COPRICALDAIA CTS AEP-1/GR.RIA INOX | S.STEEL BOILER COVER AEP/1 RAIS. GROUP | COUVRE-CHAUDIERE AEP/1 R.GROUPE | KESSELDECKEL AEP/1 R.GROUP STAHL |

INOX - S.STEEL - INOX - STAHL

| Pos | Cod. | Denominazione - IT - | Denomination - GB - | Denomination - FR - | Denomination - DE - |
|-----|----------|--|--|--|---------------------------------------|
| 39 | 77044501 | COPRICALDAIA CTS AEP-2C/GR.STD INOX | S.STEEL BOILER COVER AEP/2C | COUVRE-CHAUDIERE AEP/2C INOX | KESSELDECKEL AEP/2C STAHL |
| 40 | 77044506 | COPRICALDAIA CTS AEP-2C/GR.RIA INOX | S.STEEL BOILER COVER AEP/2 R.GROUP | COUVRE-CHAUDIERE AEP/2C R.GROUPE INOX | KESSELDECKEL AEP/2C R.GRUPPE STAHL |
| 41 | 77044502 | COPRICALDAIA CTS AEP-2/GR.STD INOX | S.STEEL BOILER COVER AEP/2 | COUVRE-CHAUDIERE AEP/2 INOX | KESSELDECKEL AEP/2 STAHL |
| 42 | 77044507 | COPRICALDAIA CTS AEP-2/GR.RIA INOX | S.STEEL BOILER COVER AEP/2 R.GROUP | COUVRE-CHAUDIERE AEP/2 R.GROUPE INOX | KESSELDECKEL AEP/2 STAHL R.GRUPPE |
| 43 | 77044503 | COPRICALDAIA CTS AEP-3/GR.STD INOX | S.STEEL BOILER COVER AEP/3 | COUVRE-CHAUDIERE AEP/3 INOX | KESSELDECKEL AEP/3 STAHL |
| 44 | 77044508 | COPRICALDAIA CTS AEP-3/GR.RIA INOX | S.STEEL BOILER COVER AEP/3 R.GROUP | COUVRE-CHAUDIERE AEP/3 R.GROUPE INOX | KESSELDECKEL AEP/3 STAHL R.GRUPPE |
| 45 | 77044504 | COPRICALDAIA CTS AEP-4/GR.STD INOX | S.STEEL BOILER COVER AEP/4 | COUVRE-CHAUDIERE AEP/4 INOX | KESSELDECKEL AEP/4 STAHL |
| 46 | 77044509 | COPRICALDAIA CTS AEP-4/GR.RIA INOX | S.STEEL BOILER COVER AEP/4 R.GROUP | COUVRE-CHAUDIERE AEP/4 R.GROUPE INOX | KESSELDECKEL AEP/4 R.GRUPPE STAHL |
| 47 | 77044510 | COPRICALDAIA CTS SAE-1/GR.STD INOX | S.STEEL BOILER COVER SAE/1 | COUVRE-CHAUDIERE SAE/1 INOX | KESSELDECKEL SAE/1 STAHL |
| 48 | 77044515 | COPRICALDAIA CTS SAE-1/GR.RIA INOX | S.STEEL BOILER COVER SAE/1 R.GROUP | COUVRE-CHAUDIERE SAE/1 R.GROUPE INOX | KESSELDECKEL SAE/1 R.GRUPPE STAHL |
| 49 | 77044511 | COPRICALDAIA CTS SAE-2C/GR.STD INOX | S.STEEL BOILER COVER SAE/2C | COUVRE-CHAUDIERE SAE/2C INOX | KESSELDECKEL SAE/2C STAHL |
| 50 | 77044516 | COPRICALDAIA CTS SAE-2C/GR.RIA INOX | S.STEEL BOILER COVER SAE/2C | COUVRE-CHAUDIERE SAE/2C R.GROUPE INOX | KESSELDECKEL SAE/2C R.GRUPPE STAHL |
| 51 | 77044512 | COPRICALDAIA CTS SAE-2/GR.STD INOX | S.STEEL BOILER COVER SAE/2 | COUVRE-CHAUDIERE SAE/2 INOX | KESSELDECKEL SAE/2 STAHL |
| 52 | 77044517 | COPRICALDAIA CTS SAE-2/GR.RIA INOX | S.STEEL BOILER COVER SAE/2 R.GROUP | COUVRE-CHAUDIERE SAE/2 R.GROUPE INOX | KESSELDECKEL SAE/2 R.GRUPPE STAHL |
| 53 | 77044513 | COPRICALDAIA CTS SAE-3/GR.STD INOX | S.STEEL BOILER COVER SAE/3 | COUVRE-CHAUDIERE SAE/3 INOX | KESSELDECKEL SAE/3 STAHL |
| 54 | 77044518 | COPRICALDAIA CTS SAE-3/GR.RIA INOX | S.STEEL BOILER COVER SAE/3 R.GROUP | COUVRE-CHAUDIERE SAE/3 R.GROUPE INOX | KESSELDECKEL SAE/3 R.GRUPPE STAHL |
| 55 | 77044514 | COPRICALDAIA CTS SAE-4/GR.STD INOX | S.STEEL BOILER COVER SAE/4 | COUVRE-CHAUDIERE SAE/4 INOX | KESSELDECKEL SAE/4 STAHL |
| 56 | 77044519 | COPRICALDAIA CTS SAE-4/GR.RIA INOX | S.STEEL BOILER COVER SAE/4 R.GROUP | COUVRE-CHAUDIERE SAE/4 R.GROUPE INOX | KESSELDECKEL SAE/4 R.GRUPPE STAHL |
| 57 | 77044522 | COPRICALDAIA CTS SAE-2/GR.STD+DISPLAY INOX | S.STEEL BOILER COVER SAE/2+DSP | COUVRE-CHAUDIERE SAE/2+DSP R.GRUPE INOX | KESSELDECKEL SAE/2+DSP R.GRUPPE STAHL |
| 58 | 77044527 | COPRICALDAIA CTS SAE-2/GR.RIA+DISPLAY INOX | S.STEEL BOILER COVER SAE/2+DSP R.GROUP | COUVRE-CHAUDIERE SAE/2+DSP R.GROUPE INOX | KESSELDECKEL SAE/2+DSP R.GRUPPE STAHL |
| 59 | 77044523 | COPRICALDAIA CTS SAE-3/GR.STD+DISPLAY INOX | S.STEEL BOILER COVER SAE/3+DSP | COUVRE-CHAUDIERE SAE/3+DSP INOX | KESSELDECKEL SAE/3+DSP STAHL |
| 60 | 77044528 | COPRICALDAIA CTS SAE-3/GR.RIA+DISPLAY INOX | S.STEEL BOILER COVER SAE/3 R.GROUP | COUVRE-CHAUDIERE SAE/3 R.GROUPE INOX | KESSELDECKEL SAE/3 R.GRUPPE STAHL |
| 61 | 77044524 | COPRICALDAIA CTS SAE-4/GR.STD+DISPLAY INOX | S.STEEL BOILER COVER SAE/4+DSP | COUVRE-CHAUDIERE SAE/4+DSP INOX | KESSELDECKEL SAE/4+DSP STAHL |
| 62 | 77044529 | COPRICALDAIA CTS SAE-4/GR.RIA+DISPLAY INOX | S.STEEL BOILER COVER SAE/4+DSP R.GROUP | COUVRE-CHAUDIERE SAE/4+DSP R.GROUPE INOX | KESSELDECKEL SAE/4+DSP R.GRUPPE |
| 63 | 15318002 | PIEDINO REGOLABILE INOX/SAT H55/69 D-58 | ADJUSTABLE FOOT | PIED REGLABLE | REGELBARER FUSS |
| 64 | 77685047 | GRIGLIA PROTEZIONE INF.TELAI0 2GR | PROTECTION FRAME 2GR | GRILLE INF. PROTECTION 2GR | UNTEREGITTER 2GR |
| 65 | 77685048 | GRIGLIA PROTEZIONE INF.TELAI0 3GR | PROTECTION FRAME 3GR | GRILLE INF. PROTECTION 3GR | UNTEREGITTER 3GR |
| 66 | 77685049 | GRIGLIA PROTEZIONE INF.TELAI0 4GR | PROTECTION FRAME 4GR | GRILLE INF.PROTECTION 4GR | UNTEREGITTER 4GR |
| 67 | 15502001 | VASCHETTA SCARICO BACINELLA MOD.PLUS | DRAIN PAN | DRAIN PAN | ABLAUFWANNE |
| 68 | 25006007 | ASS.BLOCCHETTO A SFERA SINISTRO GRIGLIA A | LEFT GRID BLOCK | BLOC DE GRILLE GAUCHE | LINKEN KUGELRASTUNG |
| 69 | 25006006 | ASS.BLOCCHETTO A SFERA DESTRO GRIGLIA A RI | RIGHT GRID BLOCK | BLOC DE GRILLE DROITE | RECHTS KUGELRASTUNG |
| 70 | 76149107 | GRIGLIA RIALZO TAZZE | CUPS-STAND FOR RAISED GROUP | GRILLE POUR GROUPES REHAISSES | GITTER FUER HOHE GRUPPE |
| 71 | 76153008 | GRIGLIA INFERIORE 1GR INOX/LUC | LOWER GRILLE 1GR | GRILLE INF. 1GR | UNTERGITTER 1GR |
| 72 | 76153009 | GRIGLIA INFERIORE 2GR COMPATTA INOX/LUC | LOWER GRILLE 2GR/C | GRILLE INF. 2GR/C | UNTERGITTER 2GR/C |
| 73 | 76155008 | GRIGLIA INFERIORE SX INOX/LUC | LEFT LOWER GRILLE | GRILLE INF. GAUCHE | LINKE UNTERGITTER |
| 74 | 76154008 | GRIGLIA INFERIORE DX INOX/LUC | RIGHT LOWER GRILLE | GRILLE INF. DROIT | UNTERGITTER RECHTS |
| 75 | 76156008 | GRIGLIA INFERIORE CENTRALE INOX/LUC | LOWER GRILLE | GRILLE INF. | UNTERGITTER |
| 76 | 77558049 | PROTEZIONE SOTTO BACINELLA 1GR | PROTECTION 1GR | PROTECTION 1GR | PROTECTION 1GR |
| 77 | 77558050 | PROTEZIONE SOTTO BACINELLA 2GR | PROTECTION 2GR | PROTECTION 2GR | PROTECTION 2GR |
| 78 | 77558051 | PROTEZIONE SOTTO BACINELLA 3GR | PROTECTION 3GR | PROTECTION 3GR | PROTECTION 3GR |

INOX - S.STEEL - INOX - STAHL

| Pos | Cod. | Denominazione - IT - | Denomination - GB - | Denomination - FR - | Denomination - DE - |
|-----|------------|--|-------------------------------|---------------------------|---------------------------|
| 79 | 77558052 | PROTEZIONE SOTTO BACINELLA 4GR | PROTECTION 4GR | PROTECTION 4GR | PROTECTION 4GR |
| 80 | 76098138 | BACINELLA 1GR INOX LUCIDO | SILV.BRIGHT STEEL 1GR TRAY | CUVE 1GR INOX BRILLANT | STAHLSCHALE 1GR |
| 81 | 76098139 | BACINELLA 2GR INOX LUCIDO | SILV.BRIGHT STEEL 2GR TRAY | CUVE 2GR INOX BRILLANT | STAHLSCHALE 2GR |
| 82 | 76098140 | BACINELLA 3GR INOX LUCIDO | SILV.BRIGHT STEEL 3GR TRAY | CUVE 3GR INOX BRILLANT | STAHLSCHALE 3GR |
| 83 | 76098141 | BACINELLA 4GR INOX LUCIDO | SILV.BRIGHT STEEL 4GR TRAY | CUVE 4GR INOX BRILLANT | STAHLSCHALE 4GR |
| 84 | 77487000 | PROFILO BASAMENTO ANT.1GR INOX/LUC | S.STEEL BASE SURROUND 1GR | PROFILS BASE INOX 1GR | GRUNDPROFIL 1GR STAHL |
| 85 | 77487001 | PROFILO BASAMENTO ANT.2GR INOX/LUC | S.STEEL BASE SURROUND 2GR | PROFILS BASE 2GR INOX | GRUNDPROFIL 2GR STAHL |
| 86 | 77487002 | PROFILO BASAMENTO ANT.3GR INOX/LUC | S.STEEL BASE SURROUND 3GR | PROFILS BASE 3GR INOX | GRUNDPROFIL 3GR STAHL |
| 87 | 77487003 | PROFILO BASAMENTO ANT.4GR INOX/LUC | S.STEEL BASE SURROUND 4GR | PROFILS BASE 4GR INOX | GRUNDPROFIL 4GR STAHL |
| 88 | 77487004 | PROFILO BASAMENTO ANT.1GR GAS INOX/LUC | S.STEEL BASE SURROUND 1GR GAS | PROFILS BASE 1GR GAS INOX | GRUNDPROFIL 1GR GAS STAHL |
| 89 | 77487005 | PROFILO BASAMENTO ANT.2GR GAS INOX/LUC | S.STEEL BASE SURROUND 2GR GAS | PROFILS BASE 2GR GAS INOX | GRUNDPROFIL 2GR GAS STAHL |
| 90 | 77487006 | PROFILO BASAMENTO ANT.3GR GAS INOX/LUC | S.STEEL BASE SURROUND 3GR GAS | PROFILS BASE 3GR GAS INOX | GRUNDPROFIL 3GR GAS STAHL |
| 91 | 77487007 | PROFILO BASAMENTO ANT.4GR GAS INOX/LUC | S.STEEL BASE SURROUND 4GR GAS | PROFILS BASE 4GR GAS INOX | GRUNDPROFIL 4GR GAS STAHL |
| 92 | 77487005 | PROFILO BASAMENTO ANT.2GR GAS INOX/LUC | S.STEEL BASE SURROUND 2GR GAS | PROFILS BASE 2GR GAS INOX | GRUNDPROFIL 2GR GAS STAHL |
| 93 | 4621115005 | MANOMETRO TONDO DOPPIA SCALA | PRESSURE GAUGE | MANOMETRE | MANOMETER |
| 94 | 4621115006 | MANOMETRO TONDO 16 BAR FONDO BIANCO CW510L | MANOMETER 16BAR | MANOMETRE 16BAR | MANOMETER 16BAR |



| | |
|---------|----------|
| 7 | 1GR-COMP |
| 8+8 | 2GR |
| 8+9+8 | 3GR |
| 8+9+9+8 | 4GR |

| | |
|---|----------|
| 3 | 1GR-COMP |
| 4 | 2GR |
| 5 | 3GR |
| 6 | 4GR |

| | |
|----|----------|
| 12 | 1GR-COMP |
| 13 | 2GR |
| 14 | 3GR |
| 15 | 4GR |

| | |
|----|----------|
| 16 | 1GR-COMP |
| 17 | 2GR |
| 18 | 3GR |
| 19 | 4GR |

| | AEP | SAE | TS |
|------|-------|-------|-------|
| 1GR | 37 | 47 | |
| | 38(*) | 48(*) | |
| COMP | 39 | 49 | |
| | 40(*) | 50(*) | |
| 2GR | 41 | 51 | 57 |
| | 42(*) | 52(*) | 58(*) |
| 3GR | 43 | 53 | 59 |
| | 44(*) | 54(*) | 60(*) |
| 4GR | 45 | 55 | 61 |
| | 46(*) | 56(*) | 62(*) |

| | |
|----|----------|
| 20 | 1GR-COMP |
| 21 | 2GR |
| 22 | 3GR |
| 23 | 4GR |

| | |
|----|----------|
| 24 | 1GR-COMP |
| 25 | 2GR |
| 26 | 3GR |
| 27 | 4GR |

| | |
|---------|-----|
| AEP-SAE | STD |
| 31 | STD |
| 32 | LED |

| | |
|----|-----|
| 29 | STD |
| 30 | LED |

| | STD | GAS |
|----------|-----|-----|
| 1GR-COMP | 84 | 88 |
| 2GR | 85 | 89 |
| 3GR | 86 | 90 |
| 4GR | 87 | 91 |

| | |
|-------------|------|
| 71 | 1GR |
| 72 | COMP |
| 73+74 | 2GR |
| 73+75+74 | 3GR |
| 73+75+75+74 | 4GR |

| | |
|----|----------|
| 76 | 1GR-COMP |
| 77 | 2GR |
| 78 | 3GR |
| 79 | 4GR |

| | |
|----|----------|
| 80 | 1GR-COMP |
| 81 | 2GR |
| 82 | 3GR |
| 83 | 4GR |

| | |
|----|-----|
| 64 | 2GR |
| 65 | 3GR |
| 66 | 4GR |

(*) Gruppi RIALZATI
RAISED Groups
Groupes REHAUSSÉS
ERHOEHTE Gruppen

ROSSO - RED - ROUGE - ROT

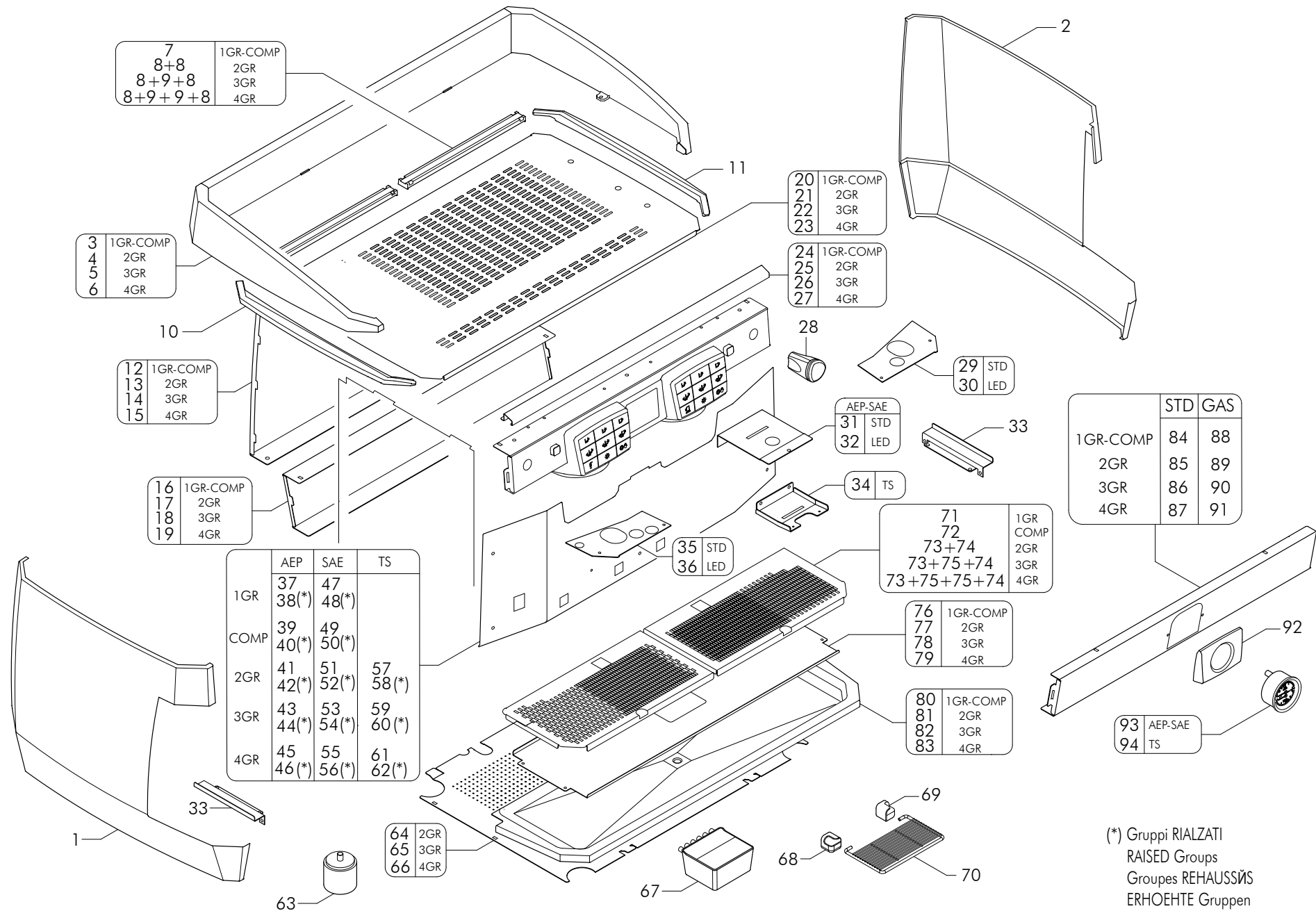
| Pos | Cod. | Denominazione - IT - | Denomination - GB - | Denomination - FR - | Denomination - DE - |
|-----|----------|--|--|--------------------------------------|--------------------------------------|
| 1 | 73130321 | FIANCO SINISTRO ROSSO PERLA/GRI | LEFT SIDE | COTE GAUCHE | LINKE SEITE |
| 2 | 73130320 | FIANCO DESTRO ROSSO PERLA/GRIGI | RIGHT SIDE | COTE DROIT | RECHTS SEITE |
| 3 | 15028199 | PROFILO FERMATAZZE COMPLETO 1GR | STOP CUPS 1GR | ARRET TASSES PROFIL 1GR | STOP TASSEN PROFIL 1GR |
| 4 | 15028200 | PROFILO FERMATAZZE COMPLETO 2GR | STOP CUPS 2GR | ARRET TASSES PROFIL 2GR | STOP TASSEN PROFIL 2GR |
| 5 | 15028201 | PROFILO FERMATAZZE COMPLETO 3GR | STOP CUPS 3GR | ARRET TASSES PROFIL 3GR | STOP TASSEN PROFIL 3GR |
| 6 | 15028202 | PROFILO FERMATAZZE COMPLETO 4GR | STOP CUPS PROFILE 4GR | ARRET TASSES PROFIL 4GR | STOP TASSEN PROFIL 4GR |
| 7 | 15028194 | SUPP.LED PROFILO FERMATAZZE MODULO L.428 1 | STOP CUPS PROFILE | ARRET TASSES PROFILE | STOP TASSEN PROFIL |
| 8 | 15028192 | SUPP.LED PROFILO FERMATAZZE MODULO L.319 2 | STOP CUPS PROFILE | ARRET TASSES PROFILE | STOP TASSEN PROFIL |
| 9 | 15028193 | SUPP.LED PROFILO FERMATAZZE MODULO L.240 3 | STOP CUPS PROFILE | ARRET TASSES PROFILE | STOP TASSEN PROFIL |
| 10 | 15028191 | SUPP.LED PROFILO FERMATAZZE SX | LEFT LED SUPPORT | SOUTENIR GAUCHE LED | UNTERSTUTZEN LINKE LED |
| 11 | 15028190 | SUPP.LED PROFILO FERMATAZZE DX | RIGHT LED SUPPORT | SOUTENIR DROIT LED | UNTERSTUTZEN RECHTE LED |
| 12 | 75289108 | PANNELLO POSTERIORE 1GR ROSSO XX | BACK PANEL 1GR RED | PANNEAU POST. 1GR ROUGE | RUCKSEITE 1GR ROT |
| 13 | 75289109 | PANNELLO POSTERIORE 2GR ROSSO PE | BACK PANEL 2GR RED | PANNEAU POST. 2GR ROUGE | RUCKSEITE 2GR ROT |
| 14 | 75289110 | PANNELLO POSTERIORE 3GR ROSSO PE | BACK PANEL 3GR RED | PANNEAU POST. 3GR ROUGE | RUCKSEITE 3GR ROT |
| 15 | 75289111 | PANNELLO POSTERIORE 4GR ROSSO PE | BACK PANEL 4GR RED | PANNEAU POST. 4GR ROUGE | RUCKSEITE 4GR ROT |
| 16 | 77487008 | PROFILO BASAMENTO POST.1GR INOX/LUC | S.STEEL BASE SURROUND 1GR | PROFILS BASE 1GR INOX | GRUNDPROFIL 1GR STAHL |
| 17 | 77487009 | PROFILO BASAMENTO POST.2GR INOX/LUC | S.STEEL BASE SURROUND 2GR | PROFILS BASE 2GR INOX | GRUNDPROFIL 2GR STAHL |
| 18 | 77487010 | PROFILO BASAMENTO POST.3GR INOX/LUC | S.STEEL BASE SURROUND 3GR | PROFILS BASE 3GR INOX | GRUNDPROFIL 3GR STAHL |
| 19 | 77487011 | PROFILO BASAMENTO POST.4GR INOX/LUC | S.STEEL BASE SURROUND 4GR | PROFILS BASE 4GR INOX | GRUNDPROFIL 4GR STAHL |
| 20 | 76100268 | GRIGLIA SUPERIORE 1GR INOX | TOP GRATE 1GR | GRILLE SUP. 1GR | OBERGITTER 1GR |
| 21 | 76100269 | GRIGLIA SUPERIORE 2GR INOX | TOP GRATE 2GR | GRILLE SUP. 2GR | OBERGITTER 2GR |
| 22 | 76100270 | GRIGLIA SUPERIORE 3GR INOX | TOP GRATE 3GR | GRILLE SUP. 3GR | OBERGITTER 3GR |
| 23 | 76100271 | GRIGLIA SUPERIORE 4GR INOX | TOP GRATE 4GR | GRILLE SUP.4GR | OBERGITTER 4GR |
| 24 | 77169117 | PROFILO ANTERIORE FERMATAZZE 1GR | FRONT PROFILE 1GR | BARRE DE CHARGE 1GR | FRONTPROFIL 1GR |
| 25 | 77169118 | PROFILO ANTERIORE FERMATAZZE 2GR | FRONT PROFILE 2GR | BARRE DE CHARGE 2GR | FRONTPROFIL 2GR |
| 26 | 77169119 | PROFILO ANTERIORE FERMATAZZE 3GR | FRONT PROFILE 3GR | BARRE DE CHARGE 3GR | FRONTPROFIL 3GR |
| 27 | 77169120 | PROFILO ANTERIORE FERMATAZZE 4GR | FRONT PROFILE 4GR | BARRE DE CHARGE 4GR | FRONTPROFIL 4GR |
| 28 | 15278058 | MANOPOLA COMPLETA RUBINETTO | COMPLETE KNOB | POIGNEE COMPLET | HAHGRIF |
| 29 | 77279028 | COPRIMPIANTO DX 2-4GR INOX/LUC | S.STEEL CABLE COVER RIGHT | COUVRE-CABLAGE DROIT INOX | VERDRAHTUNDECKEL RECHTS STAHL |
| 30 | 77279030 | COPRIMPIANTO+LED DX 2-4GR INOX/L | S.STEEL CABLE COVER+LED RIGHT | COUVRE-CABLAGE+LED DROIT INOX | VERDRAHTUNDECKEL+LED RECHTS STAHL |
| 31 | 77279032 | COPRIMPIANTO CENTRALE 2-4GR INOX | S.STEEL CENTRAL CABLE COVER | CENTRALE COUVRE-CABLAGE INOX | ZENTRAL VERDRAHTUNDECKEL STAHL |
| 32 | 77279033 | COPRIMPIANTO+LED CENTRALE 2-4GR | S.STEEL CABLE COVER+LED CENTRAL | CENTRALE COUVRE-CABLAGE+LED INOX | ZENTRAL VERDRAHTUNDECKEL+LED STAHL |
| 33 | 77742041 | GUIDA BACINELLA DESTRA/SINISTRA | RIGHT/LEFT BASIN GUIDE FOR FRAMES | GUIDE DROIT/GAUCHE CUVE POUR CHASSIS | FUHRUNG RECHTS/LINKS SCHCALE FUR RAH |
| 34 | 77230001 | SUPP.FRONTALINO DISPLAY | PANEL SUPPORT | SUPPORT FRONTAL | STIRNBAUTEIL |
| 35 | 77279029 | COPRIMPIANTO 2-4GR INOX/LUC | S.STEEL CABLE COVER | COUVRE-CABLAGE INOX | VERDRAHTUNDECKEL STAHL |
| 36 | 77279031 | COPRIMPIANTO+LED SX 2-4GR PERLA-16- INOX/L | S.STEEL CABLE COVER+LED LEFT | COUVRE-CABLAGE+LED GAUCHE INOX | VERDRAHTUNDECKEL+LED LINKE STAHL |
| 37 | 77044500 | COPRICALDAIA CTS AEP-1/GR.STD INOX | S.STEEL BOILER COVER AEP/1 | COUVRE-CHAUDIERE AEP/1 INOX | KESSELDECKEL AEP/1 STAHL |
| 38 | 77044505 | COPRICALDAIA CTS AEP-1/GR.RIA INOX | S.STEEL BOILER COVER AEP/1 RAIS. GROUP | COUVRE-CHAUDIERE AEP/1 R.GROUPE | KESSELDECKEL AEP/1 R.GROUP STAHL |

ROSSO - RED - ROUGE - ROT

| Pos | Cod. | Denominazione - IT - | Denomination - GB - | Denomination - FR - | Denomination - DE - |
|-----|----------|--|--|--|---------------------------------------|
| 39 | 77044501 | COPRICALDAIA CTS AEP-2C/GR.STD INOX | S.STEEL BOILER COVER AEP/2C | COUVRE-CHAUDIERE AEP/2C INOX | KESSELDECKEL AEP/2C STAHL |
| 40 | 77044506 | COPRICALDAIA CTS AEP-2C/GR.RIA INOX | S.STEEL BOILER COVER AEP/2 R.GROUP | COUVRE-CHAUDIERE AEP/2C R.GROUPE INOX | KESSELDECKEL AEP/2C R.GRUPPE STAHL |
| 41 | 77044502 | COPRICALDAIA CTS AEP-2/GR.STD INOX | S.STEEL BOILER COVER AEP/2 | COUVRE-CHAUDIERE AEP/2 INOX | KESSELDECKEL AEP/2 STAHL |
| 42 | 77044507 | COPRICALDAIA CTS AEP-2/GR.RIA INOX | S.STEEL BOILER COVER AEP/2 R.GROUP | COUVRE-CHAUDIERE AEP/2 R.GROUPE INOX | KESSELDECKEL AEP/2 STAHL R.GRUPPE |
| 43 | 77044503 | COPRICALDAIA CTS AEP-3/GR.STD INOX | S.STEEL BOILER COVER AEP/3 | COUVRE-CHAUDIERE AEP/3 INOX | KESSELDECKEL AEP/3 STAHL |
| 44 | 77044508 | COPRICALDAIA CTS AEP-3/GR.RIA INOX | S.STEEL BOILER COVER AEP/3 R.GROUP | COUVRE-CHAUDIERE AEP/3 R.GROUPE INOX | KESSELDECKEL AEP/3 STAHL R.GRUPPE |
| 45 | 77044504 | COPRICALDAIA CTS AEP-4/GR.STD INOX | S.STEEL BOILER COVER AEP/4 | COUVRE-CHAUDIERE AEP/4 INOX | KESSELDECKEL AEP/4 STAHL |
| 46 | 77044509 | COPRICALDAIA CTS AEP-4/GR.RIA INOX | S.STEEL BOILER COVER AEP/4 R.GROUP | COUVRE-CHAUDIERE AEP/4 R.GROUPE INOX | KESSELDECKEL AEP/4 R.GRUPPE STAHL |
| 47 | 77044510 | COPRICALDAIA CTS SAE-1/GR.STD INOX | S.STEEL BOILER COVER SAE/1 | COUVRE-CHAUDIERE SAE/1 INOX | KESSELDECKEL SAE/1 STAHL |
| 48 | 77044515 | COPRICALDAIA CTS SAE-1/GR.RIA INOX | S.STEEL BOILER COVER SAE/1 R.GROUP | COUVRE-CHAUDIERE SAE/1 R.GROUPE INOX | KESSELDECKEL SAE/1 R.GRUPPE STAHL |
| 49 | 77044511 | COPRICALDAIA CTS SAE-2C/GR.STD INOX | S.STEEL BOILER COVER SAE/2C | COUVRE-CHAUDIERE SAE/2C INOX | KESSELDECKEL SAE/2C STAHL |
| 50 | 77044516 | COPRICALDAIA CTS SAE-2C/GR.RIA INOX | S.STEEL BOILER COVER SAE/2C | COUVRE-CHAUDIERE SAE/2C R.GROUPE INOX | KESSELDECKEL SAE/2C R.GRUPPE STAHL |
| 51 | 77044512 | COPRICALDAIA CTS SAE-2/GR.STD INOX | S.STEEL BOILER COVER SAE/2 | COUVRE-CHAUDIERE SAE/2 INOX | KESSELDECKEL SAE/2 STAHL |
| 52 | 77044517 | COPRICALDAIA CTS SAE-2/GR.RIA INOX | S.STEEL BOILER COVER SAE/2 R.GROUP | COUVRE-CHAUDIERE SAE/2 R.GROUPE INOX | KESSELDECKEL SAE/2 R.GRUPPE STAHL |
| 53 | 77044513 | COPRICALDAIA CTS SAE-3/GR.STD INOX | S.STEEL BOILER COVER SAE/3 | COUVRE-CHAUDIERE SAE/3 INOX | KESSELDECKEL SAE/3 STAHL |
| 54 | 77044518 | COPRICALDAIA CTS SAE-3/GR.RIA INOX | S.STEEL BOILER COVER SAE/3 R.GROUP | COUVRE-CHAUDIERE SAE/3 R.GROUPE INOX | KESSELDECKEL SAE/3 R.GRUPPE STAHL |
| 55 | 77044514 | COPRICALDAIA CTS SAE-4/GR.STD INOX | S.STEEL BOILER COVER SAE/4 | COUVRE-CHAUDIERE SAE/4 INOX | KESSELDECKEL SAE/4 STAHL |
| 56 | 77044519 | COPRICALDAIA CTS SAE-4/GR.RIA INOX | S.STEEL BOILER COVER SAE/4 R.GROUP | COUVRE-CHAUDIERE SAE/4 R.GROUPE INOX | KESSELDECKEL SAE/4 R.GRUPPE STAHL |
| 57 | 77044522 | COPRICALDAIA CTS SAE-2/GR.STD+DISPLAY INOX | S.STEEL BOILER COVER SAE/2+DSP | COUVRE-CHAUDIERE SAE/2+DSP R.GRUPE INOX | KESSELDECKEL SAE/2+DSP R.GRUPPE STAHL |
| 58 | 77044527 | COPRICALDAIA CTS SAE-2/GR.RIA+DISPLAY INOX | S.STEEL BOILER COVER SAE/2+DSP R.GROUP | COUVRE-CHAUDIERE SAE/2+DSP R.GROUPE INOX | KESSELDECKEL SAE/2+DSP R.GRUPPE STAHL |
| 59 | 77044523 | COPRICALDAIA CTS SAE-3/GR.STD+DISPLAY INOX | S.STEEL BOILER COVER SAE/3+DSP | COUVRE-CHAUDIERE SAE/3+DSP INOX | KESSELDECKEL SAE/3+DSP STAHL |
| 60 | 77044528 | COPRICALDAIA CTS SAE-3/GR.RIA+DISPLAY INOX | S.STEEL BOILER COVER SAE/3 R.GROUP | COUVRE-CHAUDIERE SAE/3 R.GROUPE INOX | KESSELDECKEL SAE/3 R.GRUPPE STAHL |
| 61 | 77044524 | COPRICALDAIA CTS SAE-4/GR.STD+DISPLAY INOX | S.STEEL BOILER COVER SAE/4+DSP | COUVRE-CHAUDIERE SAE/4+DSP INOX | KESSELDECKEL SAE/4+DSP STAHL |
| 62 | 77044529 | COPRICALDAIA CTS SAE-4/GR.RIA+DISPLAY INOX | S.STEEL BOILER COVER SAE/4+DSP R.GROUP | COUVRE-CHAUDIERE SAE/4+DSP R.GROUPE INOX | KESSELDECKEL SAE/4+DSP R.GRUPPE |
| 63 | 15318002 | PIEDINO REGOLABILE INOX/SAT H55/69 D-58 | ADJUSTABLE FOOT | PIED REGLABLE | REGELBARER FUSS |
| 64 | 77685047 | GRIGLIA PROTEZIONE INF.TELAI0 2GR | PROTECTION FRAME 2GR | GRILLE INF. PROTECTION 2GR | UNTEREGITTER 2GR |
| 65 | 77685048 | GRIGLIA PROTEZIONE INF.TELAI0 3GR | PROTECTION FRAME 3GR | GRILLE INF. PROTECTION 3GR | UNTEREGITTER 3GR |
| 66 | 77685049 | GRIGLIA PROTEZIONE INF.TELAI0 4GR | PROTECTION FRAME 4GR | GRILLE INF.PROTECTION 4GR | UNTEREGITTER 4GR |
| 67 | 15502001 | VASCHETTA SCARICO BACINELLA MOD.PLUS | DRAIN PAN | DRAIN PAN | ABLAUFWANNE |
| 68 | 25006007 | ASS.BLOCCHETTO A SFERA SINISTRO GRIGLIA A | LEFT GRID BLOCK | BLOC DE GRILLE GAUCHE | LINKEN KUGELRASTUNG |
| 69 | 25006006 | ASS.BLOCCHETTO A SFERA DESTRO GRIGLIA A RI | RIGHT GRID BLOCK | BLOC DE GRILLE DROITE | RECHTS KUGELRASTUNG |
| 70 | 76149107 | GRIGLIA RIALZO TAZZE | CUPS-STAND FOR RAISED GROUP | GRILLE POUR GROUPES REHAISSES | GITTER FUER HOHE GRUPPE |
| 71 | 76153008 | GRIGLIA INFERIORE 1GR INOX/LUC | LOWER GRILLE 1GR | GRILLE INF. 1GR | UNTERGITTER 1GR |
| 72 | 76153009 | GRIGLIA INFERIORE 2GR COMPATTA INOX/LUC | LOWER GRILLE 2GR/C | GRILLE INF. 2GR/C | UNTERGITTER 2GR/C |
| 73 | 76155008 | GRIGLIA INFERIORE SX INOX/LUC | LEFT LOWER GRILLE | GRILLE INF. GAUCHE | LINKE UNTERGITTER |
| 74 | 76154008 | GRIGLIA INFERIORE DX INOX/LUC | RIGHT LOWER GRILLE | GRILLE INF. DROIT | UNTERGITTER RECHTS |
| 75 | 76156008 | GRIGLIA INFERIORE CENTRALE INOX/LUC | LOWER GRILLE | GRILLE INF. | UNTERGITTER |
| 76 | 77558049 | PROTEZIONE SOTTO BACINELLA 1GR | PROTECTION 1GR | PROTECTION 1GR | PROTECTION 1GR |
| 77 | 77558050 | PROTEZIONE SOTTO BACINELLA 2GR | PROTECTION 2GR | PROTECTION 2GR | PROTECTION 2GR |
| 78 | 77558051 | PROTEZIONE SOTTO BACINELLA 3GR | PROTECTION 3GR | PROTECTION 3GR | PROTECTION 3GR |

ROSSO - RED - ROUGE - ROT

| Pos | Cod. | Denominazione - IT - | Denomination - GB - | Denomination - FR - | Denomination - DE - |
|-----|------------|--|-------------------------------|---------------------------|---------------------------|
| 79 | 77558052 | PROTEZIONE SOTTO BACINELLA 4GR | PROTECTION 4GR | PROTECTION 4GR | PROTECTION 4GR |
| 80 | 76098138 | BACINELLA 1GR INOX LUCIDO | SILV.BRIGHT STEEL 1GR TRAY | CUVE 1GR INOX BRILLANT | STAHLSCHALE 1GR |
| 81 | 76098139 | BACINELLA 2GR INOX LUCIDO | SILV.BRIGHT STEEL 2GR TRAY | CUVE 2GR INOX BRILLANT | STAHLSCHALE 2GR |
| 82 | 76098140 | BACINELLA 3GR INOX LUCIDO | SILV.BRIGHT STEEL 3GR TRAY | CUVE 3GR INOX BRILLANT | STAHLSCHALE 3GR |
| 83 | 76098141 | BACINELLA 4GR INOX LUCIDO | SILV.BRIGHT STEEL 4GR TRAY | CUVE 4GR INOX BRILLANT | STAHLSCHALE 4GR |
| 84 | 77487000 | PROFILO BASAMENTO ANT.1GR INOX/LUC | S.STEEL BASE SURROUND 1GR | PROFILS BASE INOX 1GR | GRUNDPROFIL 1GR STAHL |
| 85 | 77487001 | PROFILO BASAMENTO ANT.2GR INOX/LUC | S.STEEL BASE SURROUND 2GR | PROFILS BASE 2GR INOX | GRUNDPROFIL 2GR STAHL |
| 86 | 77487002 | PROFILO BASAMENTO ANT.3GR INOX/LUC | S.STEEL BASE SURROUND 3GR | PROFILS BASE 3GR INOX | GRUNDPROFIL 3GR STAHL |
| 87 | 77487003 | PROFILO BASAMENTO ANT.4GR INOX/LUC | S.STEEL BASE SURROUND 4GR | PROFILS BASE 4GR INOX | GRUNDPROFIL 4GR STAHL |
| 88 | 77487004 | PROFILO BASAMENTO ANT.1GR GAS INOX/LUC | S.STEEL BASE SURROUND 1GR GAS | PROFILS BASE 1GR GAS INOX | GRUNDPROFIL 1GR GAS STAHL |
| 89 | 77487005 | PROFILO BASAMENTO ANT.2GR GAS INOX/LUC | S.STEEL BASE SURROUND 2GR GAS | PROFILS BASE 2GR GAS INOX | GRUNDPROFIL 2GR STAHL GAS |
| 90 | 77487006 | PROFILO BASAMENTO ANT.3GR GAS INOX/LUC | S.STEEL BASE SURROUND 3GR GAS | PROFILS BASE 3GR INOX GAS | GRUNDPROFIL 3GR STAHL GAS |
| 91 | 77487007 | PROFILO BASAMENTO ANT.4GR GAS INOX/LUC | S.STEEL BASE SURROUND 4GR GAS | PROFILS BASE 4GR GAS INOX | GRUNDPROFIL 4GR GAS STAHL |
| 92 | 77487005 | PROFILO BASAMENTO ANT.2GR GAS INOX/LUC | S.STEEL BASE SURROUND 2GR GAS | PROFILS BASE 2GR GAS INOX | GRUNDPROFIL 2GR STAHL GAS |
| 93 | 4621115005 | MANOMETRO TONDO DOPPIA SCALA | PRESSURE GAUGE | MANOMETRE | MANOMETER |
| 94 | 4621115006 | MANOMETRO TONDO 16 BAR FONDO BIANCO CW510L | MANOMETER 16BAR | MANOMETRE 16BAR | MANOMETER 16BAR |



(*) Gruppi RIALZATI
RAISED Groups
Groupes REHAUSSÉS
ERHOEHTE Gruppen

BIANCO - WHITE - BLANC - WEISS

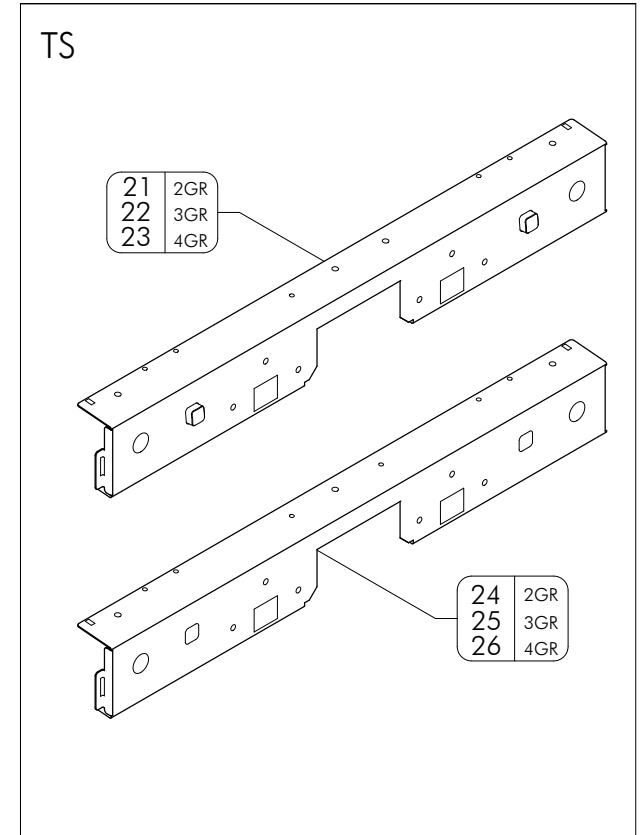
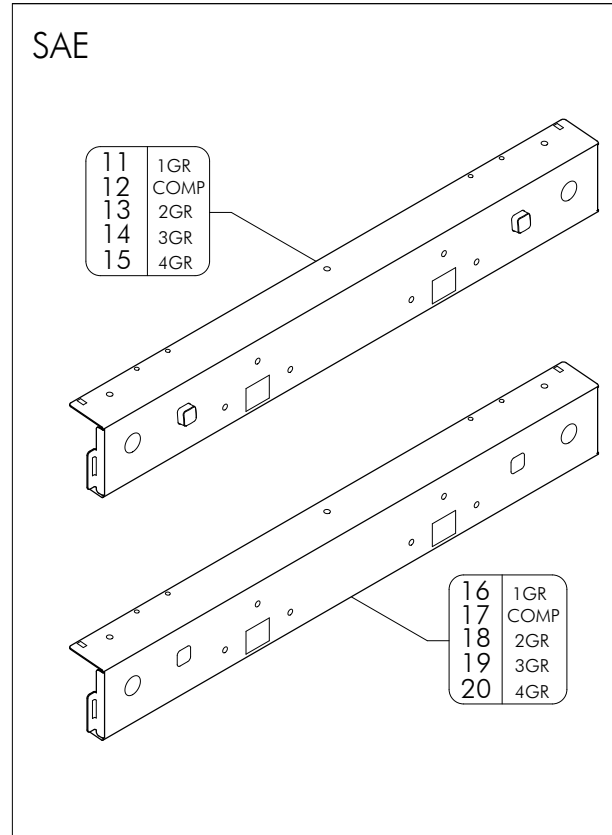
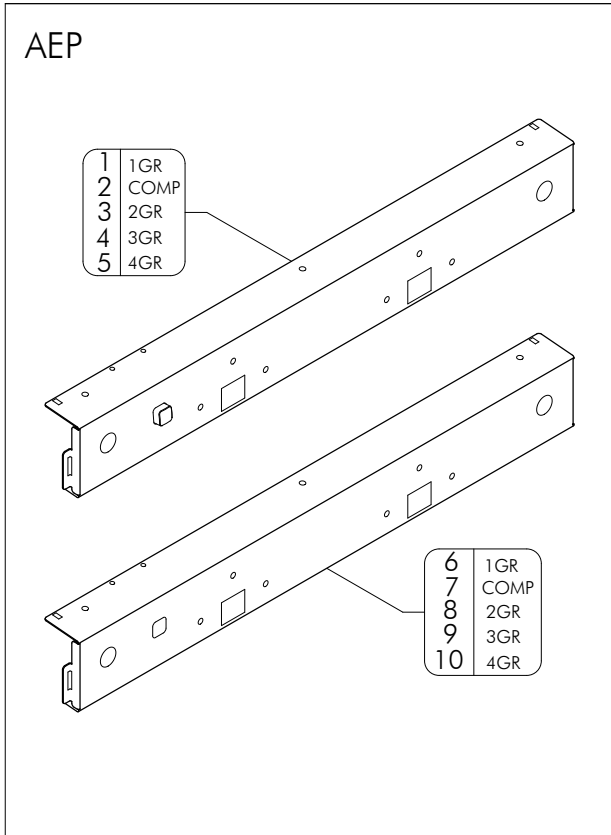
| Pos | Cod. | Denominazione - IT - | Denomination - GB - | Denomination - FR - | Denomination - DE - |
|-----|----------|--|--|--------------------------------------|--------------------------------------|
| 1 | 73130319 | FIANCO SINISTRO BIANCO 9010/GRI | LEFT SIDE | COTE GAUCHE | LINKE SEITE |
| 2 | 73130318 | FIANCO DESTRO BIANCO 9010/GRIGI | RIGHT SIDE WHITE | COTE DROIT BLANC | RECHTS SEITE WEISS |
| 3 | 15028199 | PROFILO FERMATAZZE COMPLETO 1GR | STOP CUPS 1GR | ARRET TASSES PROFIL 1GR | STOP TASSEN PROFIL 1GR |
| 4 | 15028200 | PROFILO FERMATAZZE COMPLETO 2GR | STOP CUPS 2GR | ARRET TASSES PROFIL 2GR | STOP TASSEN PROFIL 2GR |
| 5 | 15028201 | PROFILO FERMATAZZE COMPLETO 3GR | STOP CUPS 3GR | ARRET TASSES PROFIL 3GR | STOP TASSEN PROFIL 3GR |
| 6 | 15028202 | PROFILO FERMATAZZE COMPLETO 4GR | STOP CUPS PROFILE 4GR | ARRET TASSES PROFIL 4GR | STOP TASSEN PROFIL 4GR |
| 7 | 15028194 | SUPP.LED PROFILO FERMATAZZE MODULO L.428 1 | STOP CUPS PROFILE | ARRET TASSES PROFILE | STOP TASSEN PROFIL |
| 8 | 15028192 | SUPP.LED PROFILO FERMATAZZE MODULO L.319 2 | STOP CUPS PROFILE | ARRET TASSES PROFILE | STOP TASSEN PROFIL |
| 9 | 15028193 | SUPP.LED PROFILO FERMATAZZE MODULO L.240 3 | STOP CUPS PROFILE | ARRET TASSES PROFILE | STOP TASSEN PROFIL |
| 10 | 15028191 | SUPP.LED PROFILO FERMATAZZE SX | LEFT LED SUPPORT | SOUTENIR GAUCHE LED | UNTERSTUTZEN LINKE LED |
| 11 | 15028190 | SUPP.LED PROFILO FERMATAZZE DX | RIGHT LED SUPPORT | SOUTENIR DROIT LED | UNTERSTUTZEN RECHTE LED |
| 12 | 75289104 | PANNELLO POSTERIORE 1GR BIANCO 9 | BACK PANEL 1GR WHITE | PANNEAU POST. 1GR BLANC | RUCKSEITE 1GR WEISS |
| 13 | 75289105 | PANNELLO POSTERIORE 2GR BIANCO 9 | BACK PANEL 2GR WHITE | PANNEAU POST. 2GR WEISS | RUCKSEITE 2GR WEISS |
| 14 | 75289106 | PANNELLO POSTERIORE 3GR BIANCO 9 | BACK PANEL 3GR WHITE | PANNEAU POST. 3GR WEISS | RUCKSEITE 3GR WEISS |
| 15 | 75289107 | PANNELLO POSTERIORE 4GR BIANCO 9 | BACK PANEL 4GR WHITE | PANNEAU POST. 4GR BLANC | RUCKSEITE 4GR WEISS |
| 16 | 77487008 | PROFILO BASAMENTO POST.1GR INOX/LUC | S.STEEL BASE SURROUND 1GR | PROFILS BASE 1GR INOX | GRUNDPROFIL 1GR STAHL |
| 17 | 77487009 | PROFILO BASAMENTO POST.2GR INOX/LUC | S.STEEL BASE SURROUND 2GR | PROFILS BASE 2GR INOX | GRUNDPROFIL 2GR STAHL |
| 18 | 77487010 | PROFILO BASAMENTO POST.3GR INOX/LUC | S.STEEL BASE SURROUND 3GR | PROFILS BASE 3GR INOX | GRUNDPROFIL 3GR STAHL |
| 19 | 77487011 | PROFILO BASAMENTO POST.4GR INOX/LUC | S.STEEL BASE SURROUND 4GR | PROFILS BASE 4GR INOX | GRUNDPROFIL 4GR STAHL |
| 20 | 76100268 | GRIGLIA SUPERIORE 1GR INOX | TOP GRATE 1GR | GRILLE SUP. 1GR | OBERGITTER 1GR |
| 21 | 76100269 | GRIGLIA SUPERIORE 2GR INOX | TOP GRATE 2GR | GRILLE SUP. 2GR | OBERGITTER 2GR |
| 22 | 76100270 | GRIGLIA SUPERIORE 3GR INOX | TOP GRATE 3GR | GRILLE SUP. 3GR | OBERGITTER 3GR |
| 23 | 76100271 | GRIGLIA SUPERIORE 4GR INOX | TOP GRATE 4GR | GRILLE SUP.4GR | OBERGITTER 4GR |
| 24 | 77169117 | PROFILO ANTERIORE FERMATAZZE 1GR | FRONT PROFILE 1GR | BARRE DE CHARGE 1GR | FRONTPROFIL 1GR |
| 25 | 77169118 | PROFILO ANTERIORE FERMATAZZE 2GR | FRONT PROFILE 2GR | BARRE DE CHARGE 2GR | FRONTPROFIL 2GR |
| 26 | 77169119 | PROFILO ANTERIORE FERMATAZZE 3GR | FRONT PROFILE 3GR | BARRE DE CHARGE 3GR | FRONTPROFIL 3GR |
| 27 | 77169120 | PROFILO ANTERIORE FERMATAZZE 4GR | FRONT PROFILE 4GR | BARRE DE CHARGE 4GR | FRONTPROFIL 4GR |
| 28 | 15278058 | MANOPOLA COMPLETA RUBINETTO | COMPLETE KNOB | POIGNEE COMPLET | HAHGRIF |
| 29 | 77279028 | COPRIMPIANTO DX 2-4GR INOX/LUC | S.STEEL CABLE COVER RIGHT | COUVRE-CABLAGE DROIT INOX | VERDRAHTUNDECKEL RECHTS STAHL |
| 30 | 77279030 | COPRIMPIANTO+LED DX 2-4GR INOX/L | S.STEEL CABLE COVER+LED RIGHT | COUVRE-CABLAGE+LED DROIT INOX | VERDRAHTUNDECKEL+LED RECHTS STAHL |
| 31 | 77279032 | COPRIMPIANTO CENTRALE 2-4GR INOX | S.STEEL CENTRAL CABLE COVER | CENTRALE COUVRE-CABLAGE INOX | ZENTRAL VERDRAHTUNDECKEL STAHL |
| 32 | 77279033 | COPRIMPIANTO+LED CENTRALE 2-4GR | S.STEEL CABLE COVER+LED CENTRAL | CENTRALE COUVRE-CABLAGE+LED INOX | ZENTRAL VERDRAHTUNDECKEL+LED STAHL |
| 33 | 77742041 | GUIDA BACINELLA DESTRA/SINISTRA | RIGHT/LEFT BASIN GUIDE FOR FRAMES | GUIDE DROIT/GAUCHE CUVE POUR CHASSIS | FUHRUNG RECHTS/LINKS SCHCALE FUR RAH |
| 34 | 77230001 | SUPP.FRONTALINO DISPLAY | PANEL SUPPORT | SUPPORT FRONTAL | STIRNBAUTEIL |
| 35 | 77279029 | COPRIMPIANTO 2-4GR INOX/LUC | S.STEEL CABLE COVER | COUVRE-CABLAGE INOX | VERDRAHTUNDECKEL STAHL |
| 36 | 77279031 | COPRIMPIANTO+LED SX 2-4GR INOX/L | S.STEEL CABLE COVER+LED LEFT | COUVRE-CABLAGE+LED GAUCHE INOX | VERDRAHTUNDECKEL+LED LINKE STAHL |
| 37 | 77044500 | COPRICALDAIA CTS AEP-1/GR.STD INOX | S.STEEL BOILER COVER AEP/1 | COUVRE-CHAUDIERE AEP/1 INOX | KESSELDECKEL AEP/1 STAHL |
| 38 | 77044505 | COPRICALDAIA CTS AEP-1/GR.RIA INOX | S.STEEL BOILER COVER AEP/1 RAIS. GROUP | COUVRE-CHAUDIERE AEP/1 R.GROUPE | KESSELDECKEL AEP/1 R.GROUP STAHL |

BIANCO - WHITE - BLANC - WEISS

| Pos | Cod. | Denominazione - IT - | Denomination - GB - | Denomination - FR - | Denomination - DE - |
|-----|----------|--|--|--|---------------------------------------|
| 39 | 77044501 | COPRICALDAIA CTS AEP-2C/GR.STD INOX | S.STEEL BOILER COVER AEP/2C | COUVRE-CHAUDIERE AEP/2C INOX | KESSELDECKEL AEP/2C STAHL |
| 40 | 77044506 | COPRICALDAIA CTS AEP-2C/GR.RIA INOX | S.STEEL BOILER COVER AEP/2 R.GROUP | COUVRE-CHAUDIERE AEP/2C R.GROUPE INOX | KESSELDECKEL AEP/2C R.GRUPPE STAHL |
| 41 | 77044502 | COPRICALDAIA CTS AEP-2/GR.STD INOX | S.STEEL BOILER COVER AEP/2 | COUVRE-CHAUDIERE AEP/2 INOX | KESSELDECKEL AEP/2 STAHL |
| 42 | 77044507 | COPRICALDAIA CTS AEP-2/GR.RIA INOX | S.STEEL BOILER COVER AEP/2 R.GROUP | COUVRE-CHAUDIERE AEP/2 R.GROUPE INOX | KESSELDECKEL AEP/2 STAHL R.GRUPPE |
| 43 | 77044503 | COPRICALDAIA CTS AEP-3/GR.STD INOX | S.STEEL BOILER COVER AEP/3 | COUVRE-CHAUDIERE AEP/3 INOX | KESSELDECKEL AEP/3 STAHL |
| 44 | 77044508 | COPRICALDAIA CTS AEP-3/GR.RIA INOX | S.STEEL BOILER COVER AEP/3 R.GROUP | COUVRE-CHAUDIERE AEP/3 R.GROUPE INOX | KESSELDECKEL AEP/3 STAHL R.GRUPPE |
| 45 | 77044504 | COPRICALDAIA CTS AEP-4/GR.STD INOX | S.STEEL BOILER COVER AEP/4 | COUVRE-CHAUDIERE AEP/4 INOX | KESSELDECKEL AEP/4 STAHL |
| 46 | 77044509 | COPRICALDAIA CTS AEP-4/GR.RIA INOX | S.STEEL BOILER COVER AEP/4 R.GROUP | COUVRE-CHAUDIERE AEP/4 R.GROUPE INOX | KESSELDECKEL AEP/4 R.GRUPPE STAHL |
| 47 | 77044510 | COPRICALDAIA CTS SAE-1/GR.STD INOX | S.STEEL BOILER COVER SAE/1 | COUVRE-CHAUDIERE SAE/1 INOX | KESSELDECKEL SAE/1 STAHL |
| 48 | 77044515 | COPRICALDAIA CTS SAE-1/GR.RIA INOX | S.STEEL BOILER COVER SAE/1 R.GROUP | COUVRE-CHAUDIERE SAE/1 R.GROUPE INOX | KESSELDECKEL SAE/1 R.GRUPPE STAHL |
| 49 | 77044511 | COPRICALDAIA CTS SAE-2C/GR.STD INOX | S.STEEL BOILER COVER SAE/2C | COUVRE-CHAUDIERE SAE/2C INOX | KESSELDECKEL SAE/2C STAHL |
| 50 | 77044516 | COPRICALDAIA CTS SAE-2C/GR.RIA INOX | S.STEEL BOILER COVER SAE/2C | COUVRE-CHAUDIERE SAE/2C R.GROUPE INOX | KESSELDECKEL SAE/2C R.GRUPPE STAHL |
| 51 | 77044512 | COPRICALDAIA CTS SAE-2/GR.STD INOX | S.STEEL BOILER COVER SAE/2 | COUVRE-CHAUDIERE SAE/2 INOX | KESSELDECKEL SAE/2 STAHL |
| 52 | 77044517 | COPRICALDAIA CTS SAE-2/GR.RIA INOX | S.STEEL BOILER COVER SAE/2 R.GROUP | COUVRE-CHAUDIERE SAE/2 R.GROUPE INOX | KESSELDECKEL SAE/2 R.GRUPPE STAHL |
| 53 | 77044513 | COPRICALDAIA CTS SAE-3/GR.STD INOX | S.STEEL BOILER COVER SAE/3 | COUVRE-CHAUDIERE SAE/3 INOX | KESSELDECKEL SAE/3 STAHL |
| 54 | 77044518 | COPRICALDAIA CTS SAE-3/GR.RIA INOX | S.STEEL BOILER COVER SAE/3 R.GROUP | COUVRE-CHAUDIERE SAE/3 R.GROUPE INOX | KESSELDECKEL SAE/3 R.GRUPPE STAHL |
| 55 | 77044514 | COPRICALDAIA CTS SAE-4/GR.STD INOX | S.STEEL BOILER COVER SAE/4 | COUVRE-CHAUDIERE SAE/4 INOX | KESSELDECKEL SAE/4 STAHL |
| 56 | 77044519 | COPRICALDAIA CTS SAE-4/GR.RIA INOX | S.STEEL BOILER COVER SAE/4 R.GROUP | COUVRE-CHAUDIERE SAE/4 R.GROUPE INOX | KESSELDECKEL SAE/4 R.GRUPPE STAHL |
| 57 | 77044522 | COPRICALDAIA CTS SAE-2/GR.STD+DISPLAY INOX | S.STEEL BOILER COVER SAE/2+DSP | COUVRE-CHAUDIERE SAE/2+DSP R.GRUPE INOX | KESSELDECKEL SAE/2+DSP R.GRUPPE STAHL |
| 58 | 77044527 | COPRICALDAIA CTS SAE-2/GR.RIA+DISPLAY INOX | S.STEEL BOILER COVER SAE/2+DSP R.GROUP | COUVRE-CHAUDIERE SAE/2+DSP R.GROUPE INOX | KESSELDECKEL SAE/2+DSP R.GRUPPE STAHL |
| 59 | 77044523 | COPRICALDAIA CTS SAE-3/GR.STD+DISPLAY INOX | S.STEEL BOILER COVER SAE/3+DSP | COUVRE-CHAUDIERE SAE/3+DSP INOX | KESSELDECKEL SAE/3+DSP STAHL |
| 60 | 77044528 | COPRICALDAIA CTS SAE-3/GR.RIA+DISPLAY INOX | S.STEEL BOILER COVER SAE/3 R.GROUP | COUVRE-CHAUDIERE SAE/3 R.GROUPE INOX | KESSELDECKEL SAE/3 R.GRUPPE STAHL |
| 61 | 77044524 | COPRICALDAIA CTS SAE-4/GR.STD+DISPLAY INOX | S.STEEL BOILER COVER SAE/4+DSP | COUVRE-CHAUDIERE SAE/4+DSP INOX | KESSELDECKEL SAE/4+DSP STAHL |
| 62 | 77044529 | COPRICALDAIA CTS SAE-4/GR.RIA+DISPLAY INOX | S.STEEL BOILER COVER SAE/4+DSP R.GROUP | COUVRE-CHAUDIERE SAE/4+DSP R.GROUPE INOX | KESSELDECKEL SAE/4+DSP R.GRUPPE |
| 63 | 15318002 | PIEDINO REGOLABILE INOX/SAT H55/69 D-58 | ADJUSTABLE FOOT | PIED REGLABLE | REGELBARER FUSS |
| 64 | 77685047 | GRIGLIA PROTEZIONE INF.TELAI0 2GR | PROTECTION FRAME 2GR | GRILLE INF. PROTECTION 2GR | UNTEREGITTER 2GR |
| 65 | 77685048 | GRIGLIA PROTEZIONE INF.TELAI0 3GR | PROTECTION FRAME 3GR | GRILLE INF. PROTECTION 3GR | UNTEREGITTER 3GR |
| 66 | 77685049 | GRIGLIA PROTEZIONE INF.TELAI0 4GR | PROTECTION FRAME 4GR | GRILLE INF.PROTECTION 4GR | UNTEREGITTER 4GR |
| 67 | 15502001 | VASCHETTA SCARICO BACINELLA MOD.PLUS | DRAIN PAN | DRAIN PAN | ABLAUFWANNE |
| 68 | 25006007 | ASS.BLOCCHETTO A SFERA SINISTRO GRIGLIA A | LEFT GRID BLOCK | BLOC DE GRILLE GAUCHE | LINKEN KUGELRASTUNG |
| 69 | 25006006 | ASS.BLOCCHETTO A SFERA DESTRO GRIGLIA A RI | RIGHT GRID BLOCK | BLOC DE GRILLE DROITE | RECHTS KUGELRASTUNG |
| 70 | 76149107 | GRIGLIA RIALZO TAZZE | CUPS-STAND FOR RAISED GROUP | GRILLE POUR GROUPES REHAISSES | GITTER FUER HOHE GRUPPE |
| 71 | 76153008 | GRIGLIA INFERIORE 1GR INOX/LUC | LOWER GRILLE 1GR | GRILLE INF. 1GR | UNTERGITTER 1GR |
| 72 | 76153009 | GRIGLIA INFERIORE 2GR COMPATTA INOX/LUC | LOWER GRILLE 2GR/C | GRILLE INF. 2GR/C | UNTERGITTER 2GR/C |
| 73 | 76155008 | GRIGLIA INFERIORE SX INOX/LUC | LEFT LOWER GRILLE | GRILLE INF. GAUCHE | LINKE UNTERGITTER |
| 74 | 76154008 | GRIGLIA INFERIORE DX INOX/LUC | RIGHT LOWER GRILLE | GRILLE INF. DROIT | UNTERGITTER RECHTS |
| 75 | 76156008 | GRIGLIA INFERIORE CENTRALE INOX/LUC | LOWER GRILLE | GRILLE INF. | UNTERGITTER |
| 76 | 77558049 | PROTEZIONE SOTTO BACINELLA 1GR | PROTECTION 1GR | PROTECTION 1GR | PROTECTION 1GR |
| 77 | 77558050 | PROTEZIONE SOTTO BACINELLA 2GR | PROTECTION 2GR | PROTECTION 2GR | PROTECTION 2GR |
| 78 | 77558051 | PROTEZIONE SOTTO BACINELLA 3GR | PROTECTION 3GR | PROTECTION 3GR | PROTECTION 3GR |

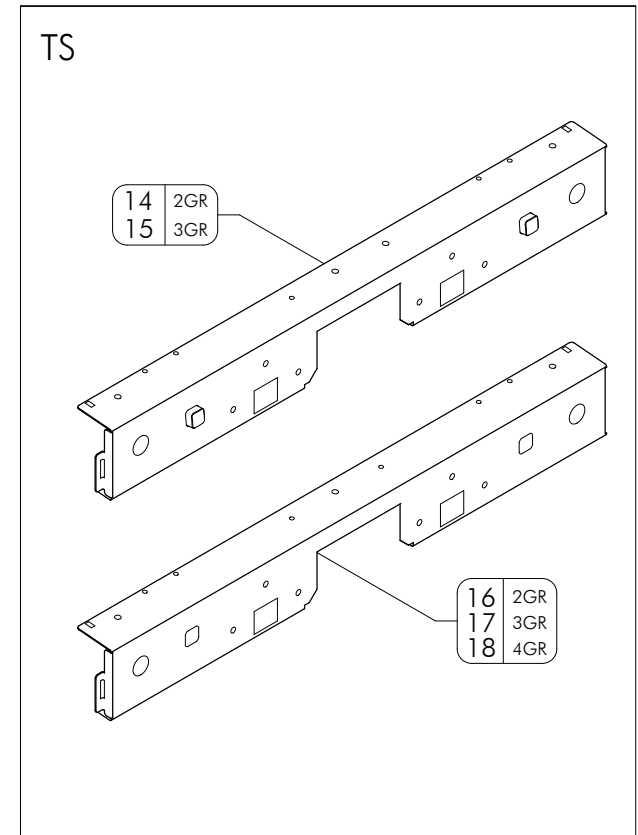
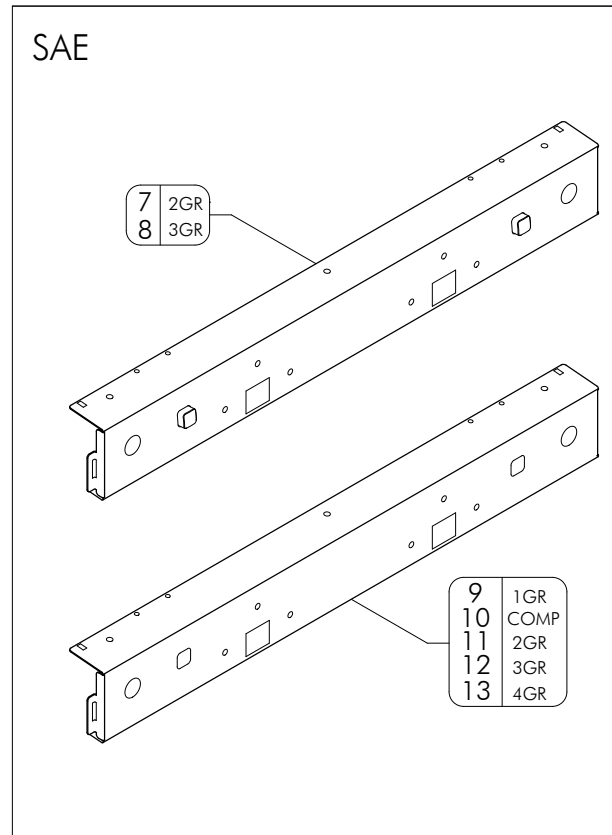
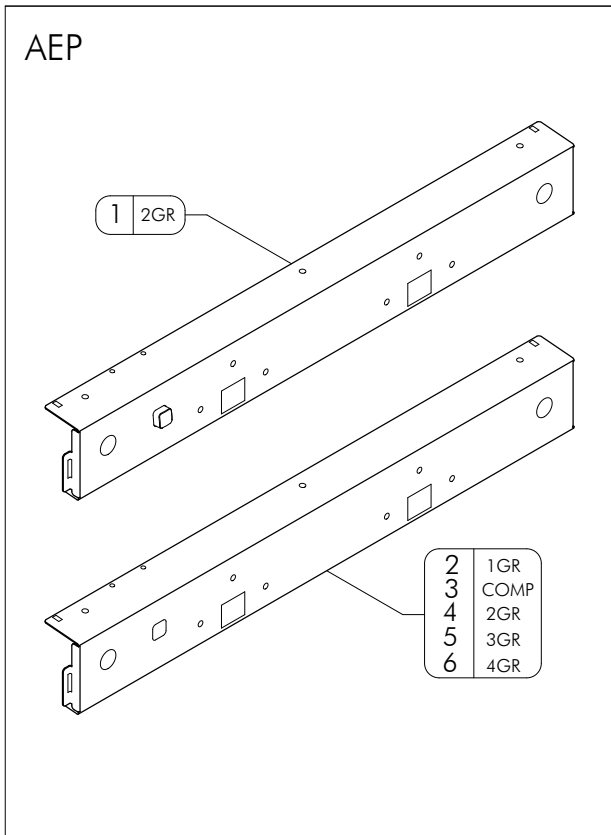
BIANCO - WHITE - BLANC - WEISS

| Pos | Cod. | Denominazione - IT - | Denomination - GB - | Denomination - FR - | Denomination - DE - |
|-----|------------|--|-------------------------------|---------------------------|---------------------------|
| 79 | 77558052 | PROTEZIONE SOTTO BACINELLA 4GR | PROTECTION 4GR | PROTECTION 4GR | PROTECTION 4GR |
| 80 | 76098138 | BACINELLA 1GR INOX LUCIDO | SILV.BRIGHT STEEL 1GR TRAY | CUVE 1GR INOX BRILLANT | STAHLSCHALE 1GR |
| 81 | 76098139 | BACINELLA 2GR INOX LUCIDO | SILV.BRIGHT STEEL 2GR TRAY | CUVE 2GR INOX BRILLANT | STAHLSCHALE 2GR |
| 82 | 76098140 | BACINELLA 3GR INOX LUCIDO | SILV.BRIGHT STEEL 3GR TRAY | CUVE 3GR INOX BRILLANT | STAHLSCHALE 3GR |
| 83 | 76098141 | BACINELLA 4GR INOX LUCIDO | SILV.BRIGHT STEEL 4GR TRAY | CUVE 4GR INOX BRILLANT | STAHLSCHALE 4GR |
| 84 | 77487000 | PROFILO BASAMENTO ANT.1GR INOX/LUC | S.STEEL BASE SURROUND 1GR | PROFILS BASE INOX 1GR | GRUNDPROFIL 1GR STAHL |
| 85 | 77487001 | PROFILO BASAMENTO ANT.2GR INOX/LUC | S.STEEL BASE SURROUND 2GR | PROFILS BASE 2GR INOX | GRUNDPROFIL 2GR STAHL |
| 86 | 77487002 | PROFILO BASAMENTO ANT.3GR INOX/LUC | S.STEEL BASE SURROUND 3GR | PROFILS BASE 3GR INOX | GRUNDPROFIL 3GR STAHL |
| 87 | 77487003 | PROFILO BASAMENTO ANT.4GR INOX/LUC | S.STEEL BASE SURROUND 4GR | PROFILS BASE 4GR INOX | GRUNDPROFIL 4GR STAHL |
| 88 | 77487004 | PROFILO BASAMENTO ANT.1GR GAS INOX/LUC | S.STEEL BASE SURROUND 1GR GAS | PROFILS BASE 1GR GAS INOX | GRUNDPROFIL 1GR GAS STAHL |
| 89 | 77487005 | PROFILO BASAMENTO ANT.2GR GAS INOX/LUC | S.STEEL BASE SURROUND 2GR GAS | PROFILS BASE 2GR GAS INOX | GRUNDPROFIL 2GR STAHL GAS |
| 90 | 77487006 | PROFILO BASAMENTO ANT.3GR GAS INOX/LUC | S.STEEL BASE SURROUND 3GR GAS | PROFILS BASE 3GR INOX GAS | GRUNDPROFIL 3GR STAHL GAS |
| 91 | 77487007 | PROFILO BASAMENTO ANT.4GR GAS INOX/LUC | S.STEEL BASE SURROUND 4GR GAS | PROFILS BASE 4GR GAS INOX | GRUNDPROFIL 4GR GAS STAHL |
| 92 | 77487005 | PROFILO BASAMENTO ANT.2GR GAS INOX/LUC | S.STEEL BASE SURROUND 2GR GAS | PROFILS BASE 2GR GAS INOX | GRUNDPROFIL 2GR STAHL GAS |
| 93 | 4621115005 | MANOMETRO TONDO DOPPIA SCALA | PRESSURE GAUGE | MANOMETRE | MANOMETER |
| 94 | 4621115006 | MANOMETRO TONDO 16 BAR FONDO BIANCO CW510L | MANOMETER 16BAR | MANOMETRE 16BAR | MANOMETER 16BAR |



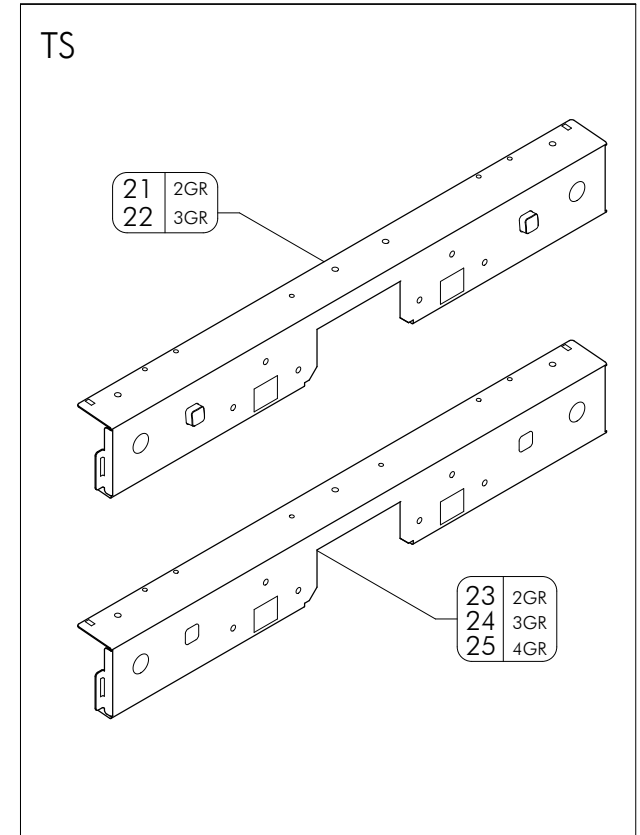
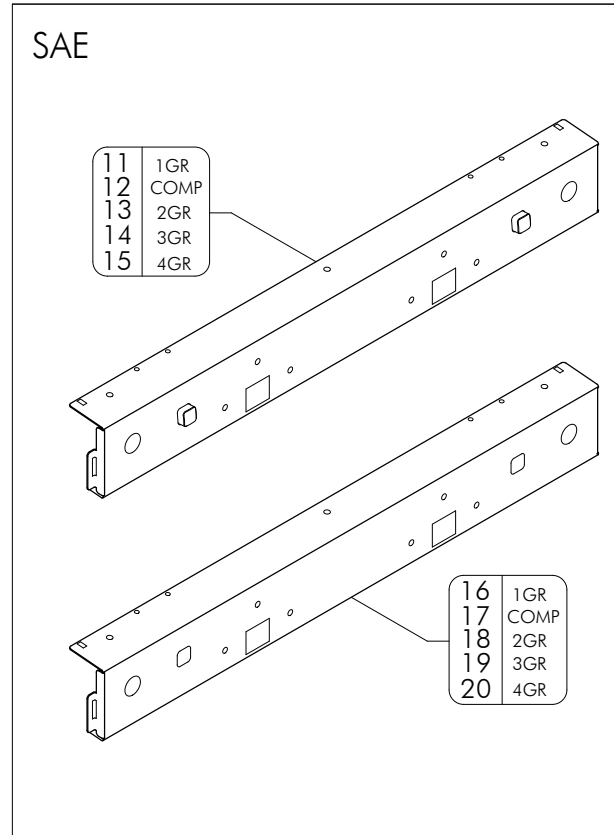
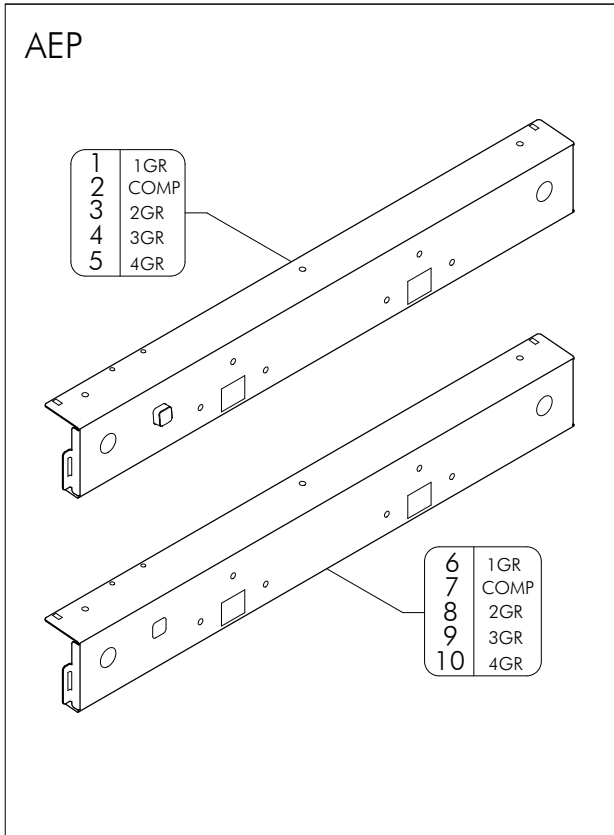
INOX - S.STEEL - INOX - STAHL

| Pos | Cod. | Denominazione - IT - | Denomination - GB - | Denomination - FR - | Denomination - DE - |
|-----|----------|---------------------------------|--------------------------------|------------------------------------|---------------------------|
| 1 | 56901460 | FRONTONE ASS.AEP/1 GR.RIA INOX | ASSEMBLY FRONT PANEL AEP/1 | ENSEMBLE PANNEAU FRONTAL AEP/1 | STIRNTAFEL AEP/1 |
| 2 | 56901461 | FRONTONE ASS.AEP/2C GR.RIA INOX | ASSEMBLY FRONT PANEL AEP/2C | ENSEMBLE PANNEAU FRONTAL AEP/2C | STIRNTAFEL AEP/2C |
| 3 | 56901462 | FRONTONE ASS.AEP/2 GR.RIA INOX | ASSEMBLY FRONT PANEL AEP/2 | ENSEMBLE PANNEAU FRONTAL AEP/2 | STIRNTAFEL AEP/2 |
| 4 | 56901463 | FRONTONE ASS.AEP/3 GR.RIA INOX | ASSEMBLY FRONT PANEL AEP/3 | ENSEMBLE PANNEAU FRONTAL AEP/3 | STIRNTAFEL AEP/3 |
| 5 | 56901464 | FRONTONE ASS.AEP/4 GR.RIA INOX | ASSEMBLY FRONT PANEL AEP/4 | ENSEMBLE PANNEAU FRONTAL AEP/4 | STIRNTAFEL AEP/4 |
| 6 | 70706700 | FRONTONE AEP/1 INOX | FRONT PANEL AEP/1 S.STEEL | PANNEAU FRONTAL AEP/1 INOX | STIRNTAFEL AEP/1 INOX |
| 7 | 70706701 | FRONTONE AEP/2C INOX | FRONT PANEL AEP/2C S.STEEL | PANNEAU FRONTAL AEP/2C INOX | STIRNTAFEL AEP/2C INOX |
| 8 | 70706702 | FRONTONE AEP/2 INOX | FRONT PANEL AEP/2 S.STEEL | PANNEAU FRONTAL AEP/2 INOX | STIRNTAFEL AEP/2 INOX |
| 9 | 70706703 | FRONTONE AEP/3 INOX | FRONT PANEL AEP/3 S.STEEL | PANNEAU FRONTAL AEP/3 INOX | STIRNTAFEL AEP/3 INOX |
| 10 | 70706704 | FRONTONE AEP/4 INOX | FRONT PANEL AEP/4 S.STEEL | PANNEAU FRONTAL AEP/4 INOX | STIRNTAFEL AEP/4 INOX |
| 11 | 56901465 | FRONTONE ASS.SAE/1 GR.RIA INOX | ASSEMBLY FRONT PANEL SAE/1 | ENSEMBLE PANNEAU FRONTAL SAE/1 | STIRNTAFEL SAE/1 |
| 12 | 56901466 | FRONTONE ASS.SAE/2C GR.RIA INOX | ASSEMBLY FRONT PANEL SAE/2C | ENSEMBLE PANNEAU FRONTAL SAE/2C | STIRNTAFEL SAE/2C |
| 13 | 56901467 | FRONTONE ASS.SAE/2 GR.RIA INOX | ASSEMBLY FRONT PANEL SAE/2 | ENSEMBLE PANNEAU FRONTAL SAE/2 | STIRNTAFEL SAE/2 |
| 14 | 56901468 | FRONTONE ASS.SAE/3 GR.RIA INOX | ASSEMBLY FRONT PANEL SAE/3 | ENSEMBLE PANNEAU FRONTAL SAE/3 | STIRNTAFEL SAE/3 |
| 15 | 56901469 | FRONTONE ASS.SAE/4 GR.RIA INOX | ASSEMBLY FRONT PANEL SAE/4 | ENSEMBLE PANNEAU FRONTAL SAE/4 | STIRNTAFEL SAE/4 |
| 16 | 70706705 | FRONTONE SAE/1 INOX | FRONT PANEL SAE/1 S.STEEL | PANNEAU FRONTAL SAE/1 INOX | STIRNTAFEL SAE/1 INOX |
| 17 | 70706706 | FRONTONE SAE/2C INOX | FRONT PANEL SAE/2C S.STEEL | PANNEAU FRONTAL SAE/2C INOX | STIRNTAFEL SAE/2C INOX |
| 18 | 70706707 | FRONTONE SAE/2 INOX | FRONT PANEL SAE/2 S.STEEL | PANNEAU FRONTAL SAE/2 INOX | STIRNTAFEL SAE/2 INOX |
| 19 | 70706708 | FRONTONE SAE/3 INOX | FRONT PANEL SAE/3 S.STEEL | PANNEAU FRONTAL SAE/3 INOX | STIRNTAFEL SAE/3 INOX |
| 20 | 70706709 | FRONTONE SAE/4 INOX | FRONT PANEL SAE/4 S.STEEL | PANNEAU FRONTAL SAE/4 INOX | STIRNTAFEL SAE/4 INOX |
| 21 | 56901447 | FRONTONE ASS.SAE/2+DSP GR.RIA | ASSEMBLY FRONT PANEL SAE/2+DSP | ENSEMBLE PANNEAU FRONTAL SAE/2+DSP | STIRNTAFEL SAE/2+DSP |
| 22 | 56901448 | FRONTONE ASS.SAE/3+DSP GR.RIA | ASSEMBLY FRONT PANEL SAE/3+DSP | ENSEMBLE SAE/3+DSP | STIRNTAFEL SAE/3+DSP |
| 23 | 56901449 | FRONTONE ASS.SAE/4+DSP GR.RIA | ASSEMBLY FRONT PANEL SAE/4+DSP | ENSEMBLE PANNEAU FRONTAL SAE/4+DSP | STIRNTAFEL SAE/4+DSP |
| 24 | 70706712 | FRONTONE SAE/2+DISPLAY INOX | FRONT PANEL SAE/2+DSP S.STEEL | PANNEAU FRONTAL SAE/2+DSP INOX | STIRNTAFEL SAE/2+DSP INOX |
| 25 | 70706713 | FRONTONE SAE/3+DISPLAY INOX | FRONT PANEL SAE/3+DSP S.STEEL | PANNEAU FRONTAL SAE/3+DSP INOX | STIRNTAFEL SAE/3+DSP INOX |
| 26 | 70706714 | FRONTONE SAE/4+DISPLAY INOX | FRONT PANEL SAE/4+DSP INOX | PANNEAU FRONTAL SAE/4+DSP INOX | STIRNTAFEL SAE/4+DSP INOX |



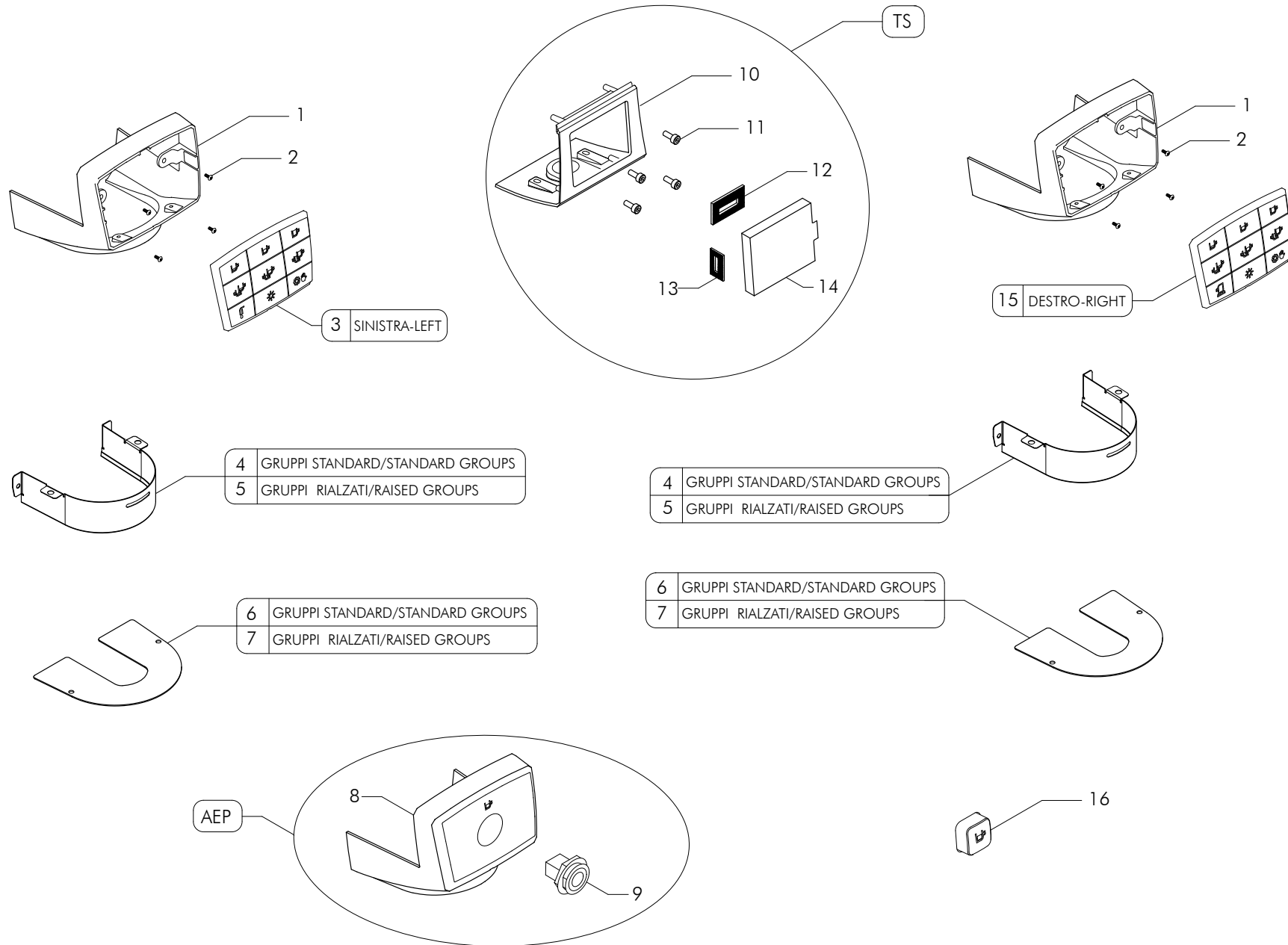
ROSSO - RED - ROUGE - ROT

| Pos | Cod. | Denominazione - IT - | Denomination - GB - | Denomination - FR - | Denomination - DE - |
|-----|----------|---------------------------------|--------------------------------|------------------------------------|--------------------------|
| 1 | 56901498 | FRONTONE ASS.AEP/2 GR.STD | ASSEMBLY FRONT PANEL AEP/2 | ENSEMBLE PANNEAU FRONTAL AEP/2 | STIRNTAFEL AEP/2 |
| 2 | 70706730 | FRONTONE AEP/1 ROSSO | FRONT PANEL AEP/1 RED | PANNEAU FRONTAL AEP/1 ROUGE | STIRNTAFEL AEP/1 ROT |
| 3 | 70706731 | FRONTONE AEP/2GRC ROSSO | FRONT PANEL AEP/2C RED | PANNEAU FRONTAL AEP/2C ROUGE | STIRNTAFEL AEP/2C ROT |
| 4 | 70706732 | FRONTONE AEP/2GR ROSSO | FRONT PANEL AEP/2 RED | PANNEAU FRONTAL AEP/2 ROUGE | STIRNTAFEL AEP/2 ROT |
| 5 | 70706733 | FRONTONE AEP/3GR ROSSO | FRONT PANEL AEP/3 RED | PANNEAU FRONTAL AEP/3 ROUGE | STIRNTAFEL AEP/3 ROT |
| 6 | 70706734 | FRONTONE AEP/4GR ROSSO | FRONT PANEL AEP/4 RED | PANNEAU FRONTAL AEP/4 ROUGE | STIRNTAFEL AEP/4 ROT |
| 7 | 56901513 | FRONTONE ASS.SAE/2 GR.RIA | ASSEMBLY FRONT PANEL SAE/2 | ENSEMBLE PANNEAU FRONTAL SAE/2 | STIRNTAFEL SAE/2 |
| 8 | 56901514 | FRONTONE ASS.SAE/3 GR.RIA | ASSEMBLY FRONT PANEL SAE/3 | ENSEMBLE PANNEAU FRONTAL SAE/3 | STIRNTAFEL SAE/3 |
| 9 | 70706735 | FRONTONE SAE/1 ROSSO | FRONT PANEL SAE/1 RED | PANNEAU FRONTAL SAE/1 ROUGE | STIRNTAFEL SAE/1 ROT |
| 10 | 70706736 | FRONTONE SAE/2C ROSSO | FRONT PANEL SAE/2C RED | PANNEAU FRONTAL SAE/2C ROUGE | STIRNTAFEL SAE/2C ROT |
| 11 | 70706737 | FRONTONE SAE/2 ROSSO | FRONT PANEL SAE/2 RED | PANNEAU FRONTAL SAE/2 ROUGE | STIRNTAFEL SAE/2 ROT |
| 12 | 70706738 | FRONTONE SAE/3 ROSSO | FRONT PANEL SAE/3 RED | PANNEAU FRONTAL SAE/3 ROUGE | STIRNTAFEL SAE/3 ROT |
| 13 | 70706739 | FRONTONE SAE/4 ROSSO | FRONT PANEL SAE/4 RED | PANNEAU FRONTAL SAE/4 ROUGE | STIRNTAFEL SAE/4 ROT |
| 14 | 56901517 | FRONTONE ASS.SAE/3+DSP GR.STD | ASSEMBLY FRONT PANEL SAE/3+DSP | ENSEMBLE PANNEAU FRONTAL SAE/3+DSP | STIRNTAFEL SAE/3+DSP |
| 15 | 56901519 | FRONTONE ASS.SAE/2 GR.RIA ROSSO | ASSEMBLY FRONT PANEL SAE/2 | ENSEMBLE PANNEAU FRONTAL SAE/2 | STIRNTAFEL SAE/2 |
| 16 | 70706742 | FRONTONE SAE/2+DISPLAY ROSSO | FRONT PANEL SAE/2+DSP RED | PANNEAU FRONTAL SAE/2+DSP ROUGE | STIRNTAFEL SAE/2+DSP ROT |
| 17 | 70706743 | FRONTONE SAE/3+DISPLAY ROSSO | FRONT PANEL SAE/3+DSP RED | PANNEAU FRONTAL SAE/3+DSP ROUGE | STIRNTAFEL SAE/3+DSP ROT |
| 18 | 70706744 | FRONTONE SAE/4+DISPLAY ROSSO | FRONT PANEL SAE/4+DSP RED | PANNEAU FRONTAL SAE/4+DSP ROUGE | STIRNTAFEL SAE/4+DSP ROT |

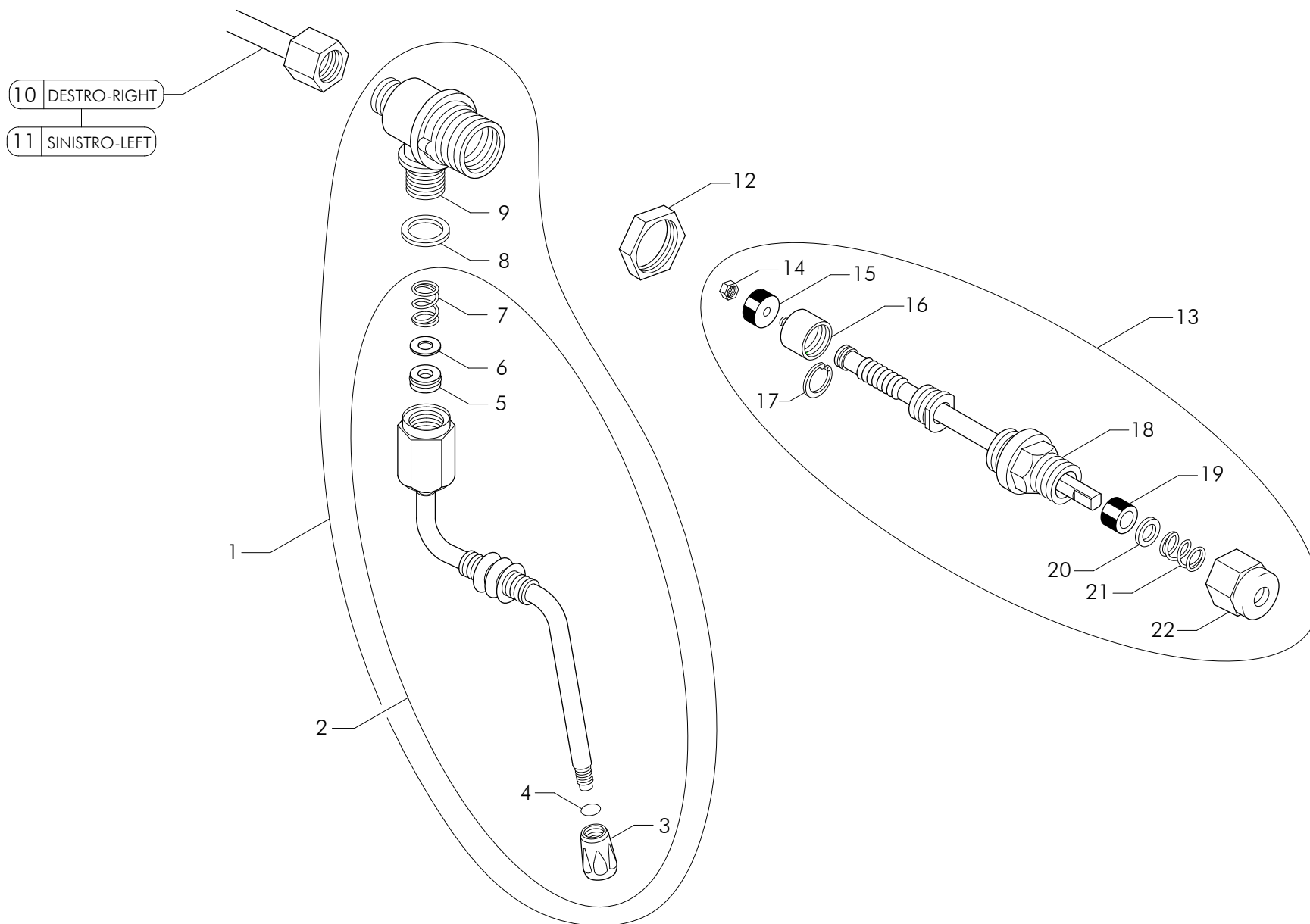


BIANCO - WHITE - BLANC - WEISS

| Pos | Cod. | Denominazione - IT - | Denomination - GB - | Denomination - FR - | Denomination - DE - |
|-----|----------|--------------------------------------|--------------------------------|------------------------------------|----------------------------|
| 1 | 56901480 | FRONTONE ASS.AEP/1 GR.RIA BIANCO | ASSEMBLY FRONT PANEL AEP/1 | ENSEMBLE PANNEAU FRONTAL AEP/1 | STIRNTAFEL AEP/1 |
| 2 | 56901481 | FRONTONE ASS.AEP/2C GR.RIA BIANC | ASSEMBLY FRONT PANEL AEP/2C | ENSEMBLE PANNEAU FRONTAL AEP/2C | STIRNTAFEL AEP/2C |
| 3 | 56901482 | FRONTONE ASS.AEP/2 GR.RIA BIANCO | ASSEMBLY FRONT PANEL AEP/2 | ENSEMBLE PANNEAU FRONTAL AEP/2 | STIRNTAFEL AEP/2 |
| 4 | 56901483 | FRONTONE ASS.AEP/3 GR.RIA BIANCO | ASSEMBLY FRONT PANEL AEP/3 | ENSEMBLE PANNEAU FRONTAL AEP/3 | STIRNTAFEL AEP/3 |
| 5 | 56901484 | FRONTONE ASS.AEP/4 GR.RIA BIANCO | ASSEMBLY FRONT PANEL AEP/4 | ENSEMBLE PANNEAU FRONTAL AEP/4 | STIRNTAFEL AEP/4 |
| 6 | 70706715 | FRONTONE AEP/1 BIANCO 9010 | FRONT PANEL AEP/1 WHITE | PANNEAU FRONTAL AEP/1 BLANC | STIRNTAFEL AEP/1 WEISS |
| 7 | 70706716 | FRONTONE AEP/2GRC BIANCO 9010 | FRONT PANEL AEP/2C WHITE | PANNEAU FRONTAL AEP/2C BLANC | STIRNTAFEL AEP/2C WEISS |
| 8 | 70706717 | FRONTONE AEP/2GR BIANCO 9010 | FRONT PANEL AEP/2 WHITE | PANNEAU FRONTAL AEP/2 BLANC | STIRNTAFEL AEP/2 WEISS |
| 9 | 70706718 | FRONTONE AEP/3GR BIANCO 9010 | FRONT PANEL AEP/3 WHITE | PANNEAU FRONTAL AEP/3 BLANC | STIRNTAFEL AEP/3 WEISS |
| 10 | 70706719 | FRONTONE AEP/4GR BIANCO 9010 | FRONT PANEL AEP/4 WHITE | PANNEAU FRONTAL AEP/4 BLANC | STIRNTAFEL AEP/4 WEISS |
| 11 | 56901485 | FRONTONE ASS.SAE/1 GR.RIA BIANCO | ASSEMBLY FRONT PANEL SAE/1 | ENSEMBLE PANNEAU FRONTAL SAE/1 | STIRNTAFEL SAE/1 |
| 12 | 56901486 | FRONTONE ASS.SAE/2C GR.RIA BIANC | ASSEMBLY FRONT PANEL SAE/2C | ENSEMBLE PANNEAU FRONTAL SAE/2C | STIRNTAFEL SAE/2C |
| 13 | 56901487 | FRONTONE ASS.SAE/2 GR.RIA BIANCO | ASSEMBLY FRONT PANEL SAE/2 | ENSEMBLE PANNEAU FRONTAL SAE/2 | STIRNTAFEL SAE/2 |
| 14 | 56901488 | FRONTONE ASS.SAE/3 GR.RIA BIANCO | ASSEMBLY FRONT PANEL SAE/3 | ENSEMBLE PANNAEU FRONTAL SAE/3 | STIRNTAFEL SAE/3 |
| 15 | 56901489 | FRONTONE ASS.SAE/4 GR.RIA BIANCO | ASSEMBLY FRONT PANEL SAE/4 | ENSEMBLE PANNEAU FRONTAL SAE/4 | STIRNTAFEL SAE/4 |
| 16 | 70706720 | FRONTONE SAE/1GR BIANCO 9010 | FRONT PANEL SAE/1 WHITE | PANNEAU FRONTAL SAE/1 BLANC | STIRNTAFEL SAE/1 WHITE |
| 17 | 70706721 | FRONTONE SAE/2GRC BIANCO 9010 | FRONT PANEL SAE/2C WHITE | PANNEAU FRONTAL SAE/2C BLANC | STIRNTAFEL SAE/2C WEISS |
| 18 | 70706722 | FRONTONE SAE/2GR BIANCO 9010 | FRONT PANEL SAE/2 WHITE | PANNEAU FRONTAL SAE/2 BLANC | STIRNTAFEL SAE/2 WEISS |
| 19 | 70706723 | FRONTONE SAE/3GR BIANCO 9010 | FRONT PANEL SAE/3 WHITE | PANNEAU FRONTAL SAE/3 BLANC | STIRNTAFEL SAE/3 WEISS |
| 20 | 70706724 | FRONTONE SAE/4GR BIANCO 9010 | FRONT PANEL SAE/4 WHITE | PANNEAU FRONTAL SAE/4 BLANC | STIRNTAFEL SAE/4 WEISS |
| 21 | 56901493 | FRONTONE ASS.SAE/2 GR.RIA BIANCO | ASSEMBLY FRONT PANEL SAE/2+DSP | ENSEMBLE PANNEAU FRONTAL SAE/2+DSP | STIRNTAFEL SAE/2+DSP |
| 22 | 56901494 | FRONTONE ASS.SAE/3+DSP GR.STD | ASSEMBLY FRONT PANEL SAE/3+DSP | ENSEMBLE PANNEAU FRONTAL SAE/3+DSP | STIRNTAFEL SAE/3+DSP |
| 23 | 70706727 | FRONTONE SAE/2GR+DISPLAY BIANCO 9010 | FRONT PANEL SAE/2+DSP WHITE | PANNEAU FRONTAL SAE/2+DSP BLANC | STIRNTAFEL SAE/2+DSP WEISS |
| 24 | 70706728 | FRONTONE SAE/3GR+DISPLAY BIANCO 9010 | FRONT PANEL SAE/3+DSP WHITE | PANNEAU FRONTAL SAE/3+DSP BLANC | STIRNTAFEL SAE/3+DSP WEISS |
| 25 | 70706729 | FRONTONE SAE/4GR+DISPLAY BIANCO 9010 | FRONT PANEL SAE/4+DSP WHITE | PANNEAU FRONTAL SAE/4+DSP BLANC | STIRNTAFEL SAE/4+DSP WEISS |

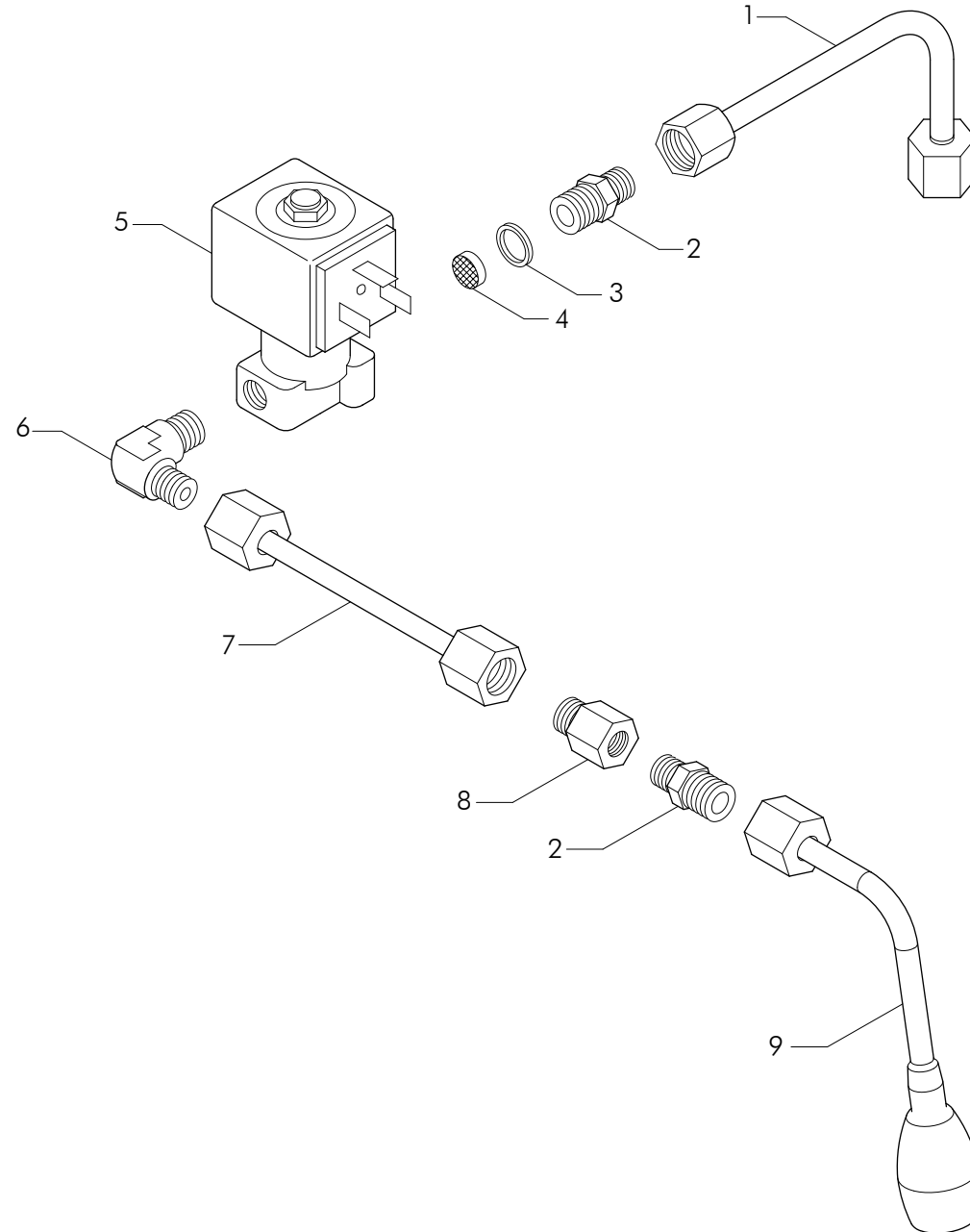


| Pos | Cod. | Denominazione - IT - | Denomination - GB - | Denomination - FR - | Denomination - DE - |
|-----|----------|--|-----------------------------|------------------------------------|--------------------------|
| 1 | 77487027 | CRUSCOTTO PULSANTIERA GRIGIO 900 | PUSH BUTTON PANEL | BOUTON | TASTATUREN |
| 2 | 23550 | VITE TCEI INOX 4x8 | STEEL SCREW TCCE 4x8 | VIS INOX TCCE 4x8 | STAHLSCHRAUBE TCCE 4x8 |
| 3 | 18090227 | PULSANTIERA SINISTRA COMPLETA | COMPLETE PUSHBUTTON - LEFT | POUSSOIR GAUCHE | LINKE SCHIEBEN |
| 4 | 77230009 | COPERTURA GRUPPI STANDARD | GROUP COVER | COUVRE GROUPE | GRUPPE DECKEL |
| 5 | 77230011 | COPERTURA GRUPPI RIALZATI | R.GROUP PROTECTION | COUVRE R. GROUPE | R.GRUPPE DECKEL |
| 6 | 77230010 | PROTEZIONE SUPERIORE INTERNA GRUPPI STANDA | GROUP PROTECTION | PROTECTION GROUPE | GRUPPE PROTECTION |
| 7 | 77230012 | PROTEZIONE SUPERIORE INTERNA GRUPPI RIALZA | GROUP PROTECTION | PROTECTION GROUPE | GRUPPE PROTECTION |
| 8 | 71759700 | CRUSCOTTO PULSANTIERA + ETICH. AEP | PUSH BUTTON PANEL AEP | BOUTON PANEL AEP | TASTATUREN AEP |
| 9 | 18270004 | PULSANTE ANTIVANDALO D-30 6V BIANCO | VANDAL-PROOF BUTTON WHITE | ANTI VANDALE BOUTON POUSSOIR BLANC | ANTI VANDAL TASTER WEISS |
| 10 | 77487025 | FRONTALINO DISPLAY GRIGIO 9006 R | DISPLAY PANEL | DISPLAY PANEL | DISPLAY PANEL |
| 11 | 23564000 | VITE TCEI INOX M3x8 | STEEL SCREW TCEI M3x8 | VIS INOX TCEI M3x8 | VITE TCEI INOX M3x8 |
| 12 | 15183050 | EPDM ESPANSO 2 CONNETTORI SCATOLA PULSANTI | EPDM | EPDM | EPDM |
| 13 | 15183049 | EPDM ESPANSO 1 CONNETTORE SCATOLA PULSANTI | EPDM | EPDM | EPDM |
| 14 | 18371227 | DISPLAY | DISPLAY | DISPLAY | DISPLAY |
| 15 | 18090226 | PULSANTIERA DESTRA COMPLETA | COMPLETE PUSHBUTTON - RIGHT | BOUTON PANEL DROIT | TASTATUREN RECHTS |
| 16 | 15373145 | TASTO PULSANTIERE NERO GOMMATO SIMBOLO TAZ | BLACK BUTTON | TOUCHE NOIR | SCHWARZ TASTE |



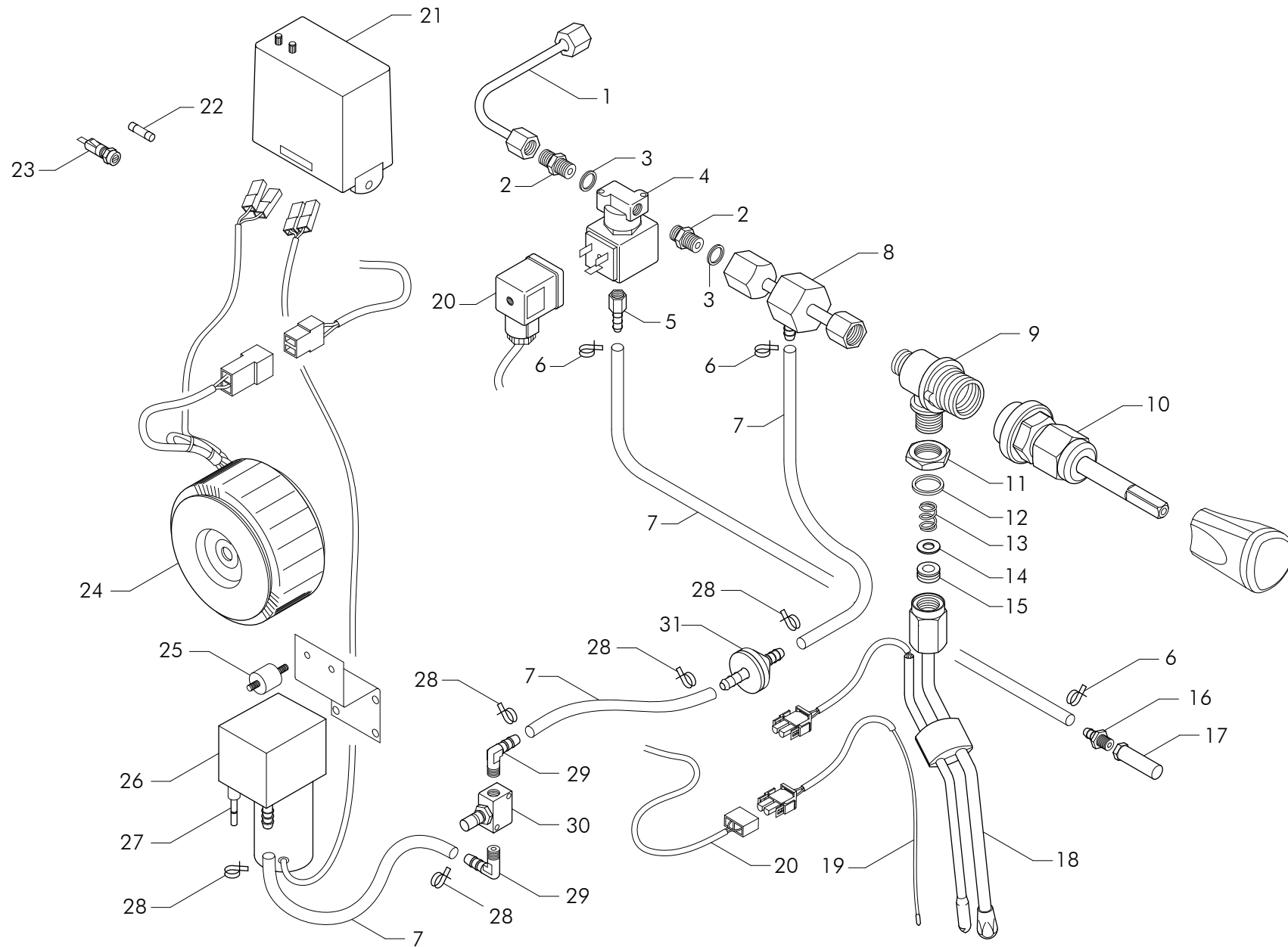
VAPORE - STEAM - VAPEUR - DAMPF

| Pos | Cod. | Denominazione - IT - | Denomination - GB - | Denomination - FR - | Denomination - DE - |
|-----|----------|---|---------------------------------|--------------------------------------|-------------------------------------|
| 1 | 25763354 | TUBO VAPORE INOX D.8 + CORPO | STEAM PIPE ASSEMBLY D.8 | TUYAU VAPEUR D.8 | DAMPFROHRSATZ D-8 |
| 2 | 25763116 | TUBO VAPORE INOX D.8 | STEAM PIPE ASSEMBLY D.8 | TUYAU VAPEUR D.8 | DAMPFROHRSATZ D-8 |
| 3 | 25763080 | SPRUZZATORE VAPORE 4 FORI TUBO D.8 | STEEL STEAM SPRAYER | VAPORISATEUR INOX | STAHLDAMPFER |
| 4 | 12662000 | GUARNIZIONE SPRUZZATORE | GASKET OR | JOINT OR | DICHTUNG OR |
| 5 | 12661 | GUARNIZIONE OR CON LUNETTA P.MOLLA | OR REST FOR ST.STEEL STEAM PIPE | OR LUNETTE P.RESSORT TUYAU VAP. INOX | HALBE OR-DICHT.F.FEDER DAMPFROHR ED |
| 6 | 23260018 | RONDELLA ELASTICA D-14,2 Sp.1 | WASHER D-14,2 | RONDELLE D-14,2 | SCHEIBE D-14,2 |
| 7 | 10465001 | MOLLA De 11,4 Df1,7 AISI 302 | STEAM SPRING S.STEEL | RESSORT AISI | DAMPF HAHNFEDEN STAHL |
| 8 | 12010 | GUARNIZIONE TEFLON ACQUA/VAPORE 20x17x2 | PIPE GASKET TEFLON 20x17x2 | JOINT TUYAU TEFLON EAU/VAP TEFLON | TEFLON-DICHTUNG WASSER/VAP 20x17x2 |
| 9 | 53003 | CORPO RUBINETTO | TAP BODY | CORPS DE ROBINET | HAHNKORPER |
| 10 | 52000580 | TUBO D-8 L.260 TB29 | TUBE D-8 L.260 | TUYAU D-8 L.260 | ROHR D-8 L.260 |
| 11 | 52000579 | TUBO D-8 L.235 TB28 | TUBE D-8 L.235 | TUYAU D-8 L.235 | ROHR D-8 L.235 |
| 12 | 25384 | DADO OTTONE M26x1.5 | BRASS NUT 26X1.5 | ECROU LAITON 26X1.5 | MESSING-MUTTER 26X1.5 |
| 13 | 56105011 | RUBINETTO AP/SX ROTAZIONE LIMITATA 90° | LIMITED ROTATION TAP | ROBINET | HAHN STAB |
| 14 | 23050 | DADO OTTONE M3 | BRASS NUT M3 | ECROU LAITON M3 | MESSING-MUTTER M3 |
| 15 | 12203 | GUARNIZIONE HNBR 15x4x4 | RUBBER GASKET 15x4x4 | JOINT EN CAOUTCHOUC 15X4X4 | GUMMIDICHTUNG 15x4x4 |
| 16 | 25616 | PISTONCINO RUBINETTO | TAP JUMPER | PISTON ROBINET | HAHNKOLBEN |
| 17 | 10001 | ANELLO ARRESTO D6 INOX | STEEL CIRCLIP | CIRCLIP INOX | STAHLHALTENRING |
| 18 | 25678001 | RACCORDO RUBINETTO | TAP FITTING | RACCORD ROBINET | HAHNANSCHLUSSTUCK |
| 19 | 12204 | GUARNIZIONE GOMMA RUBINETTO 12.5x7.5x9 | TAP RUBBER GASKET 12.5x7.5x9 | JOINT CAOUTCHOUC ROB. 12.5X7.5X9 | HAHNDICHTUNG 12.5x7.5x9 |
| 20 | 25655052 | DISCHETTO ASTA RUBINETTO | DISKETTE TAP ROS | DISQUETTE TIGE ROBINET | DISKETTE |
| 21 | 10452 | MOLLA RUBINETTO ACQUA/VAPORE N4 | WATER/STEAM TAP SPRING N4 | RESSORT DE ROBINET EAU-VAPEUR N4 | WASSER/DAMPF HAHNFEDER N4 |
| 22 | 25385001 | DADO PREMISTOPPA RUBINETTO + RONDELLA | TAP STUFFING NUT | ECROU DE PRESSE-ETOUPE ROBINET | STOPFBUCHSE MUTTER - HAHN |



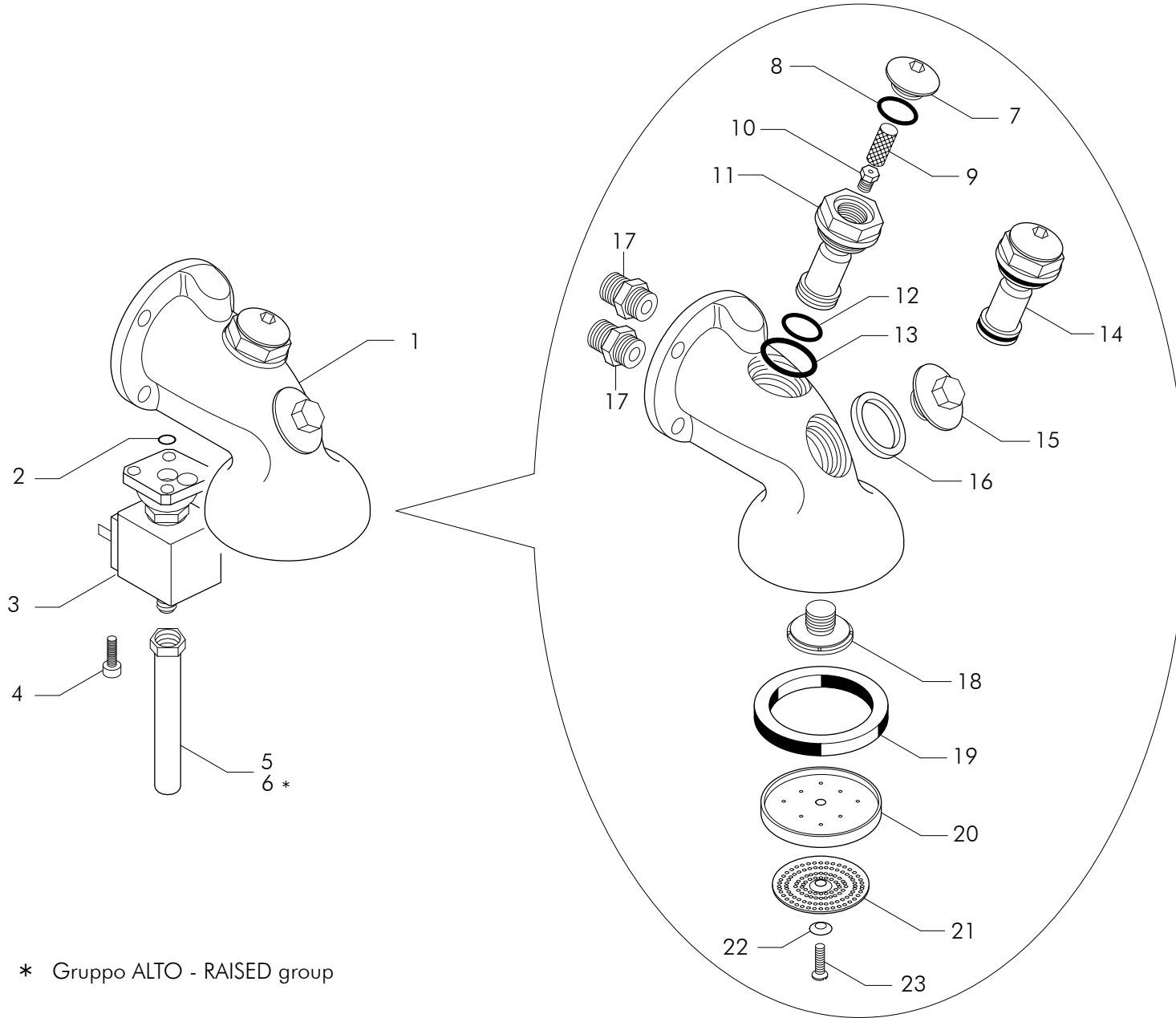
ACQUA - WATER - EAU - WASSER

| Pos | Cod. | Denominazione - IT - | Denomination - GB - | Denomination - FR - | Denomination - DE - |
|-----|------------|---|--|--|--------------------------------------|
| 1 | 52000578 | TUBO D-6 L.140 TB27 | TUBE D-6 L.140 | TUYAU D-6 L.140 | ROHR D-6 L.140 |
| 2 | 25707 | RACCORDO 1/8x1/4 | CONNECTOR 1/8x1/4 | RACCORD 1/8x1/4 | ANSCHLUSS 1/8x1/4 |
| 3 | 12155 | GUARNIZIONE RAME 8.5x5x1 | COPPER GASKET 8.5X5X1 | JOINT CU 8.5X5X1 | CU DICHTUNG 8.5x5x1 |
| 4 | 10251001 | FILTRO IN ACCIAIO D-8 Sp.0,3 | STEEL FILTER D-8 - 0.3 THICK | FILTRE EN ACIER D-8 Ep.0,3 | STAHLFILTER D-8 Sp.0,3 |
| 5 | 4618162005 | ELETTROVALVOLA AEA 220-240V 50-60Hz VDE | SOL.VALVE WATER REFILL 220/240 50/60HZ | ELECTROVANNE REA 220/240V 50/60Hz VDE/ | ELEKTROVENTIL AWZ 230/250 V 50/60 Hz |
| 6 | 4723229103 | RACCORDO 1/8-1/8 | CONNECTOR 1/8-1/8 | RACCORD 1/8-1/8 | ANSCHLUSS 1/8-1/8 |
| 7 | 52002088 | TUBO D-6 L.45 | TUBE D-6 L.45 | TUYAU D-6 L.45 | ROHR D-6 L.45 |
| 8 | 4625743001 | RIDUZIONE 1/4Mx1/8F L.20 CW510L | REDUCTION 1/4Fx1/8M L.20 | REDUCTION 1/4Mx1/8F L.20 | REDUKTION 1/4Mx1/8F L.20 |
| 9 | 25763192 | TUBO ACQUA FISSA INOX | TUBE WATER | TUYAU EAU | WASSER ROHR |



AUTOSTEAMER

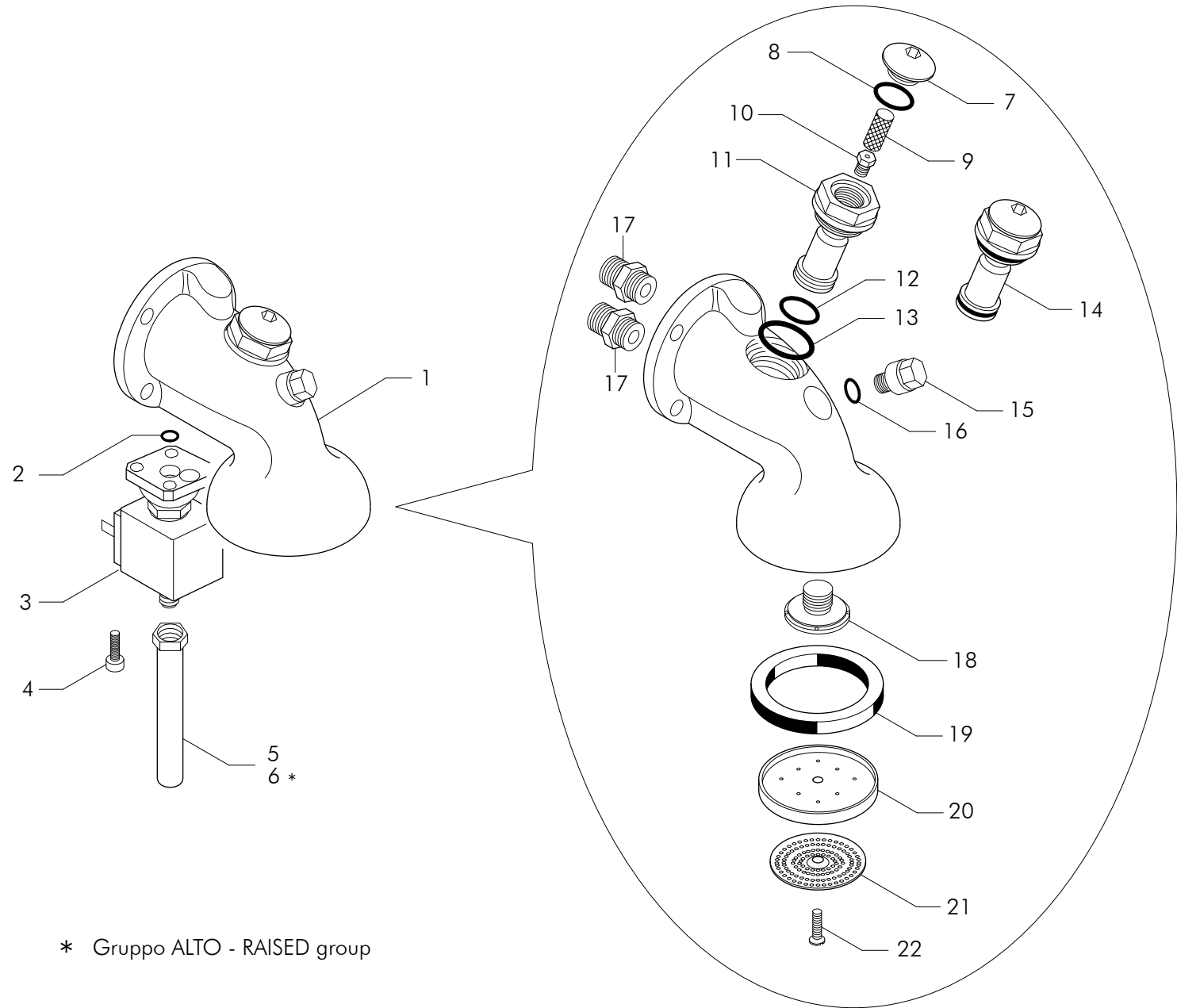
| Pos | Cod. | Denominazione - IT - | Denomination - GB - | Denomination - FR - | Denomination - DE - |
|-----|------------|--|---|--------------------------------------|---|
| 1 | 52000879 | TUBO D-8 L.135 TB53 | TUBE D-8 L.135 | TUYAU D-8 L.135 | ROHR D-8 L.135 |
| 2 | 25686 | RACCORDO 1/4x1/4 | CONNECTOR 1/4 x 1/4 | RACCORD 1/4 x 1/4 | ANSCHLUSS 1/4x1/4 |
| 3 | 12153 | GUARNIZIONE RAME 1/4 17x13.3x1.5 | GASKET 1/4 17x13.3x1.5 COPPER | JOINT CUIVRE 1/4 17x13.3x1.5 | KUPFERDICHTUNG 1/4 17x13.3x1.5 |
| 4 | 4618161976 | ELETTROVALVOLA 3VIE 1/4 D-3,2 230V | SOLENOID VALVE 1/4-3,2 230V/50 ETL4 | ELECTROVANNE 1/4-3,2 230V ETL4 | MAGNETVENTIL 1/4 D-3,2 230V ETL4 |
| 5 | 23228018 | RACCORDO DRITTO 1/8F + PORTAGOMMA | CONNECTOR 1/8F | RACCORD 1/8F | ANSCHLUSS 1/8F |
| 6 | 15056000 | FASCETTA BIFILARE A MOLLA D.7,8-8,3 | CLAMP D.7,8-8,3 | COLLIER D.7,8-8,3 | SHELLE D.7,8-8,3 |
| 7 | 15477012 | TUBO SILICONE PLATINICO 3x7 Kg/mt 0,038 | SILICONE TUBE 3X7 | TUBE EN SILICONE 3x7 0.038 Kg/Mt | TUBO SILICONE PLATINICO 3x7 Kg/mt 0,038 |
| 8 | 25763155 | INTERFACCIA EV VAPORE-CORPO RUBINETTO INOX | INTERFACE STEAM SOLENOID VALVE-TAP BODY | INTERFACE ELECTROVANNE VAP.-CORPS DE | SCHNITTSTELLE DAMPFVENTIL-HAHNKORPER |
| 9 | 53003 | CORPO RUBINETTO | TAP BODY | CORPS DE ROBINET | HAHNKORPER |
| 10 | 56303003 | ASTA RUB.PORTAMANOPOLA x AUTOSTEAMER | WATER/STEAM TAP UNIT | ENSEMBLE ROBINET EAU/VAPEUR | WASSER/DAMPF ROHRSATZ |
| 11 | 25384003 | DADO 18x1.5 OTTONE RUBINETTO A LEVA | BRASS NUT 18x1.5 | ECROU LAITON 18x1.5 | MESSING-MUTTER 18x1.5 |
| 12 | 12010 | GUARNIZIONE TEFLON ACQUA/VAPORE 20x17x2 | PIPE GASKET TEFLON 20x17x2 | JOINT TUYAU TEFLON EAU/VAP TEFLON | TEFLON-DICHTUNG WASSER/VAP 20x17x2 |
| 13 | 10452 | MOLLA RUBINETTO ACQUA/VAPORE N4 | WATER/STEAM TAP SPRING N4 | RESSORT DE ROBINET EAU-VAPEUR N4 | WASSER/DAMPF HAHNFEDER N4 |
| 14 | 25657 | RONDELLA MOLLA VAPORE | STEAM SPRING WASHER | RONDELLE RESSORT VAPEUR | SCHEIBE FUR DAMPFEDER |
| 15 | 12661 | GUARNIZIONE OR CON LUNETTA P.MOLLA | OR REST FOR ST.STEEL STEAM PIPE | OR LUNETTE P.RESSORT TUYAU VAP. INOX | HALBE OR-DICHT.F.FEDER DAMPFROHR ED |
| 16 | 23221002 | PORTAGOMMA ES14 Cr SCARICO BACINELLA | HOSE CONNECTION ES14 Cr | PORTE-CAOUTCHOUC ES14 Cr | GUMMIHALTER ES14 Cr |
| 17 | 23055001 | DADO ROMPIGETTO ES 14x27 OT/Cr | DIFFUSER NUT ES 14x27 | ECROU BRISE-JET ES 14x27 | MUTTER ES 14x27 |
| 18 | 25763204 | KIT LANCIA-SONDA PER AUTOSTEAMER | KIT OF STEAM WAND+PROBE FOR AUTOSTEAMER | KIT LANCE+SONDE POUR AUTOSTEAMER | DAMPFROHR+SUNDE FUER AUTOM.DAMPF |
| 19 | 20306001 | SENSORE NTC K10 AUTOSTEAMER | SENSOR NTC AUTOSTEAMER | SENSOR NTC AUTOSTEAMER | SENSOR NTC AUTOSTEAMER |
| 20 | 22716192 | CABLAGGIO SONDA AUTOSTEAMER | CABLE AUTOSTEAMER | CABLAGE AUTOSTEAMER | KABEL AUTOSTEAMER |
| 21 | 18080006 | CENTRALINA DOPPIO CTR.POMP. INGRANAGGI | GEAR PUMP CONTROL | CENTRALE DE CONTROLE DE POMPE | PUMPE-STEUERGERAT |
| 22 | 19123 | PORTAFUSIBILE 15A 250V UR CSA | FUSE HOLDER 15A | PORTE-FUSIBLE 15A | SICHERUNGSHALTER 15A |
| 23 | 19109001 | FUSIBILE 3AG-T1A CSA/UL 6.3x32mm | FUSE 3AG-T1A CSA/UL 6.3x32mm | FUSIBLE 3AG-T1A CSA/UL 6.3x32mm | SCHMELZSICH.3AG-T1A CSA/UL 6.3x32mm |
| 24 | 18563006 | TRASFORMATORE TOROIDALE 20VA 2x12V | TRANSFORMATOR 20VA | TRASFORMATOR 20VA | TRANSFORMATOR 20VA |
| 25 | 15105 | GOMMA AMMORTIZZATORE | RUBBER FOR MOTOR | CAOUTCHOUC POUR MOTEUR | GUMMI x MOTOR |
| 26 | 26319010 | MICROPOMPA NMP 830 KNDC 24VDC | MICROPUMP NMP 830 KNDC 24VDC | POMPE MICRO NMP 830 KNDC 24VDC | MIKROPUMPE NMP 830 KNDC 24VDC |
| 27 | 25789321 | GICLEUR D.0,5 INOX | GIGLEUR 0,5 | GICLEUR D-0,5 | DUSE D-0,5 |
| 28 | 15056001 | FASCETTA BIFILARE A MOLLA D.8,8-9,3 | CLAMP D.8,8-9,3 | COLLIER D.8,8-9,3 | SHELLE D.8,8-9,3 |
| 29 | 4823216 | RACCORDO GOM.1/8M.CONICO+PORTAGOMMA D-6 | CONICAL ELBOW CONNECTOR 1/8 | RACCORD COUVE CONIQUE 1/8 | KONISCHES FITTING 1/8 |
| 30 | 30499 | REGOLATORE ARIA | AIR REGULATOR | REGULATEUR DE AIRE | REGLER |
| 31 | 20358006 | VALVOLA NON RITORNO IN PLASTICA | NON RETURN VALVE | SOUPAPE DE NON RETOUR | ABSPERRVENTIL |



* Gruppo ALTO - RAISED group

CTS '03

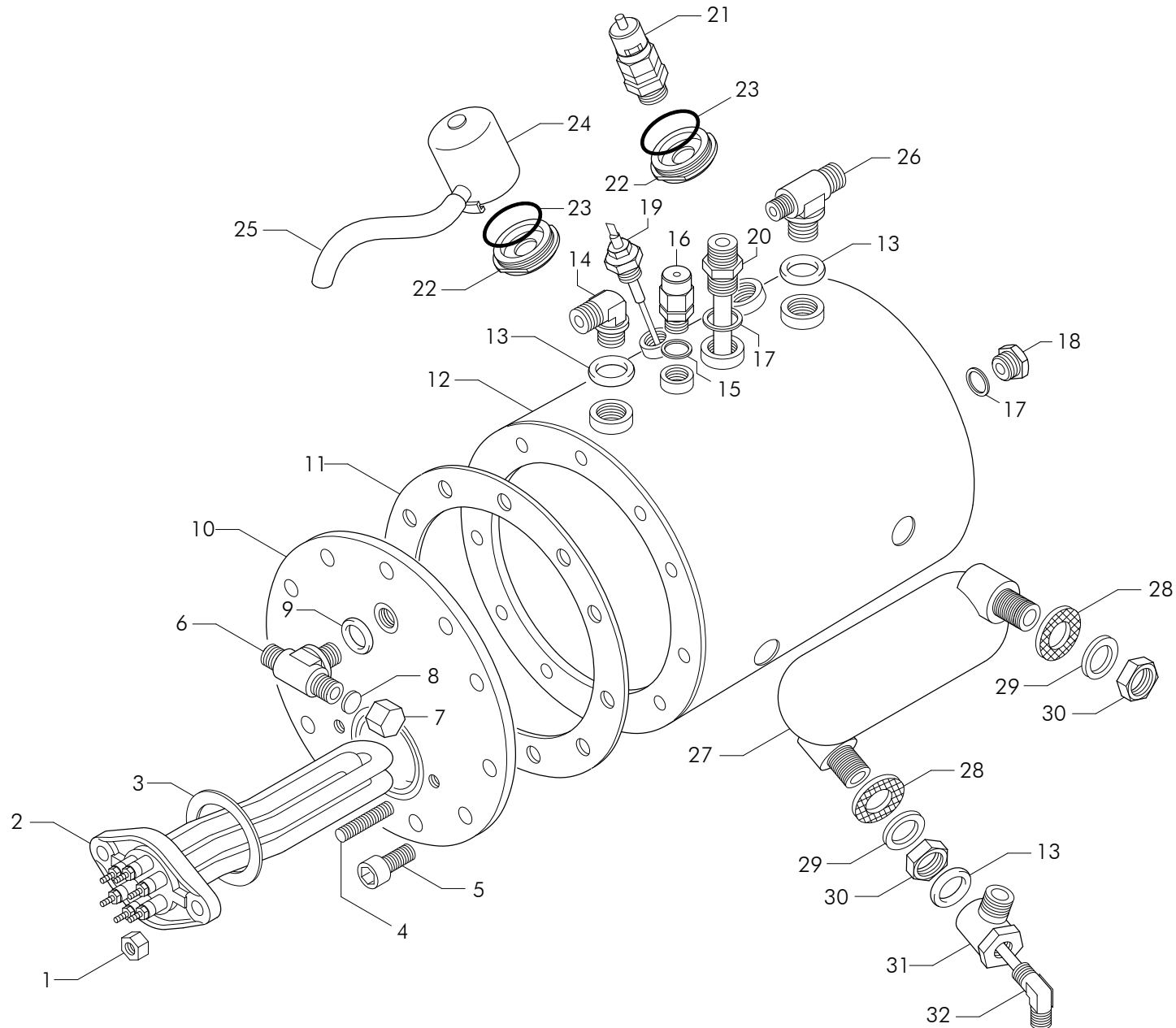
| Pos | Cod. | Denominazione - IT - | Denomination - GB - | Denomination - FR - | Denomination - DE - |
|-----|---------------|--|---------------------------------------|---------------------------------------|---|
| 1 | 56082106 | GRUPPO CTS 2003 NEUTRO | NEUTRAL CTS GROUP 2003 | GROUPE CTS 2003 NEUTRE | GRUPPE CTS 2003 NEUTRAL |
| 2 | 12305 | GUARNIZIONE OR | O RING | JOINT OR | O-RINGDICHT |
| 3 | 834718151R | KIT ELETTROVALVOLA GRUPPO 230V | GROUP SOLENOID VALVE 230V KIT | KIT ELECTROVANNE GROUPE 230V | MAGNETVENTIL GRUPPE KIT 230V |
| 3 | 834718181015R | KIT ELETTROVALVOLA GRUPPO 110-120V NSF | KIT GROUP SOLENOID VALVE 110-120V NSF | KIT ELECTROVANNE GROUPE 110-120V NSF | KIT MAGNETVENTIL GRUPPE 110-120V NSF |
| 4 | 23551 | VITE TCEI INOX 4x12 UNI 5931 DIN912 | STEEL SCREW TCCE 4x12 UNI 5931 | VIS INOX TCCE 4x12 UNI 5931 | STAHLSCRAUBE TCCE 4x12 UNI 5931 |
| 5 | 52000168 | TUBO D-12 L.92 | TUBE D-12 L.92 | TUYAU D-12 L.92 | ROHR D-12 L.92 |
| 6 | 52000194 | TUBO D-12 L.132 | TUBE D-12 L.132 | TUYAU D-12 L.132 | ROHR D-12 L.132 |
| 7 | 25789306 | TAPPO PORTA GIGLEUR GRUPPO CTS 03 | CAP GROUP JET | BOUCHON GIGLEUR | STOPFEN EINSPRITZDUSE |
| 8 | 12336000 | GUARNIZIONE ORM 0170-30 NBR Di17x3 | GASKET ORM 0170-30 HNBR 70Sh | JOINT ORM 0170-30 HNBR 70Sh | DICHTUNG ORM 0170-30 HNBR 70Sh |
| 9 | 10253 | FILTRO GIGLER | JET FILTER | FILTRE GICLEUR | DUSE FILTER |
| 10 | 10300001 | GIGLER OTT. x GRUPPO D 0.7 | BRASS GROUP JET D 0.7 | GIGLEUR LAITON POUR GROUPE D 0.7 | VERMESSINGTE GRUPPENDUSE D 0.7 |
| 11 | 25739502 | PORTAGIGLER GRUPPO CTS 03 | NOZZLE HOLDER GROUP CTS 03 | PORTE-GICLEUR GROUPE CTS 03 | DUSEHALTER GRUPPE CTS 03 |
| 12 | 12300026 | GUARNIZIONE OR | O RING GASKET | JOINT OR | OR DICHTUNG |
| 13 | 12336001 | GUARNIZIONE NBR Di25x4 | GASKET NBR Di 25x4 | JOINT NBR Di 25x4 | DICHTUNG NBR Di 25x4 |
| 14 | 56130001 | ASSIEME PORTAGIGLER GRUPPO CTS 03 | ASSEMBLY NOZZLE HOLDER GROUP CTS 03 | PORTE-GICLEUR GROUPE CTS 03 | DUSEHALTER GRUPPE CTS 03R |
| 15 | 25789305 | TAPPO CAMERA PREINFUSIONE GRUPPO CTS 03 | CAP GROUP JET | BOUCHON GIGLEUR | STOPFEN EINSPRITZDUSE |
| 16 | 12012006 | GUARNIZIONE TEFLON 33x28x4 GRUPPO CTS 03 | GASKET TEFLON 33x28x4 GROUP CTS 03 | JOINT TEFLON 33x28x4 GROUPE CTS 03 | TEFLON DICHTUNG 33x28x4 GRUPPE CTS 03 |
| 17 | 25687002 | RACCORDO 3/8x3/8 GAS GRP CTS 03 | CONNECTOR 3/8x3/8 CTS 03 UNIT | RACCORD 3/8x3/8 GR. CTS 03 | ANSCHLUSS 3/8x3/8 CTS 03 |
| 18 | 25422008 | DIFFUSORE GRUPPO CTS | GROUP DIFFUSER | DIFFUSEUR GROUPE | GRUPPE VERTEILER |
| 19 | 12215 | GUARN.GOMMA S.COPPA 72x56x8.5 MAGGIOR. | LARGER SIZED FILTER SUPPORT RUBBER | JOINT CAOUTCHOU C SOUCOUCPE 72x56x8.5 | FILTERHALTER-GUMMIDICH. 72x56x8.5 GROSS |
| 19 | 12217 | GUARN.GOMMA S.COPPA 72x56x8 NORMALE | STANDARD SIZE FILTER SUPPORT GASKET | JOINT CAOUTCHOU C SOUCOUCPE 72x56x8 N | FILTERHALTER-GUMMIDICH.72x56x8 NORMAL |
| 20 | 25627 | PORTADOCETTA GRUPPO EROGAZIONE | WATER SPOUT UNIT SUPPORT | PORTE-DOUCHETTE GROUPE DISTRIBUTION | DUSCHTRAGER VERSORGUNGSEINHEIT |
| 21 | 27100 | DOCETTA GRUPPO | GROUP SHOWER PLATE | DOUCHETTE GROUPE | DUSCHE VERTEILEREINHEIT |
| 22 | 23260014 | RONDELLA INOX 12x5 | INOX WASHER 12X5 | RONDELLE INOX 12x5 | STAHL SCHEIBE 12x5 |
| 23 | 23514 | VITE TPS INOX 5x20 TAGLIO CACC. | 5x20 STAINLESS STEEL FLATHEAD SCREW | VIS TPS INOX 5x20 DE TOURNEVIS | SCHRAUBE TPS rostfrei5x20 SCHRAUBEN |



* Gruppo ALTO - RAISED group

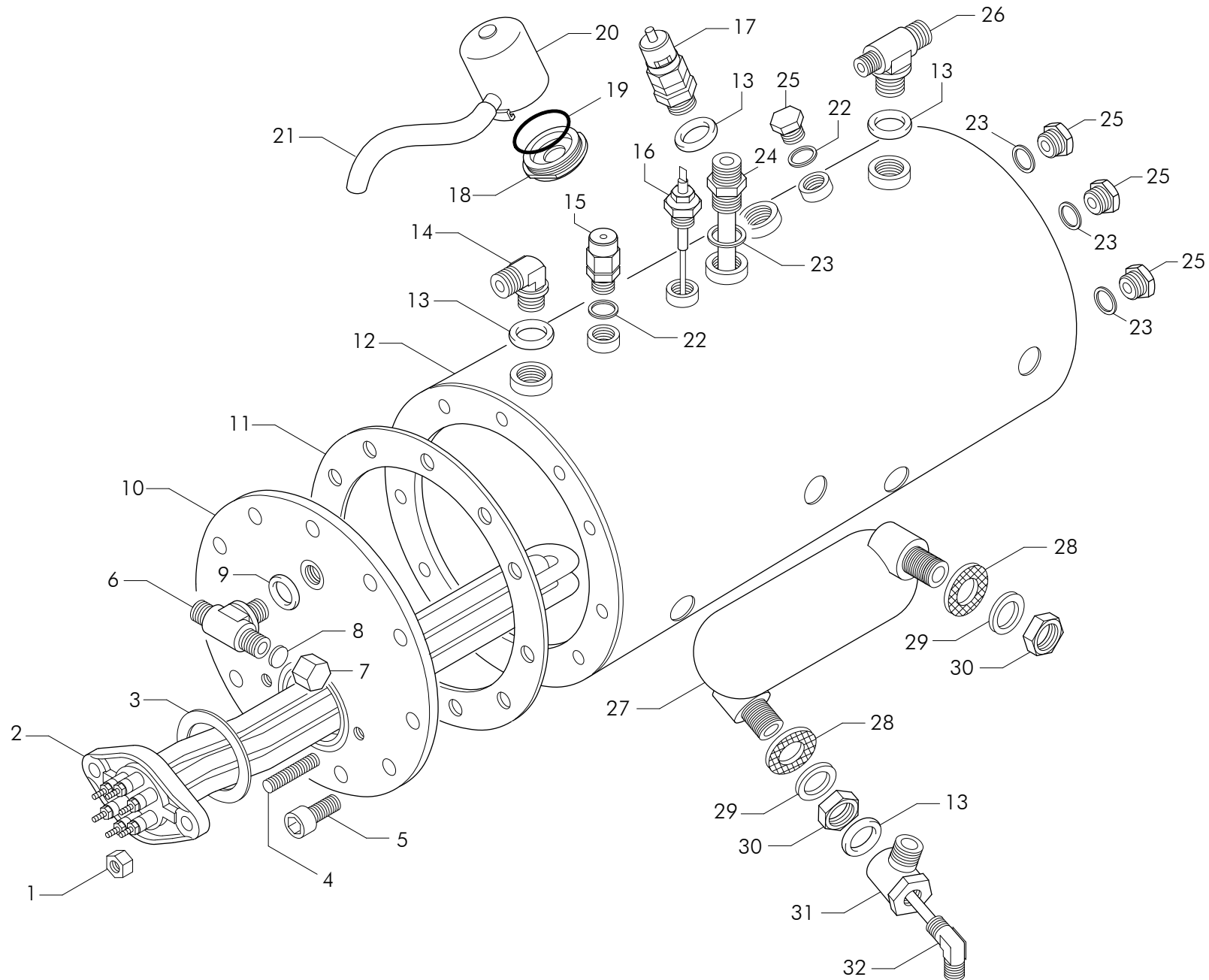
CTS '05

| Pos | Cod. | Denominazione - IT - | Denomination - GB - | Denomination - FR - | Denomination - DE - |
|-----|---------------|--|---------------------------------------|--------------------------------------|--------------------------------------|
| 1 | 56082108 | GRUPPO CTS 2005 NEUTRO | GROUP CTS 2005 | GROUPE CTS 2005 | GRUPPE CTS 2005 |
| 2 | 12305 | GUARNIZIONE OR | O RING | JOINT OR | O-RINGDICHT |
| 3 | 834718151R | KIT ELETTROVALVOLA GRUPPO 230V | GROUP SOLENOID VALVE 230V KIT | KIT ELECTROVANNE GROUPE 230V | MAGNETVENTIL GRUPPE KIT 230V |
| 3 | 834718181015R | KIT ELETTROVALVOLA GRUPPO 110-120V NSF | KIT GROUP SOLENOID VALVE 110-120V NSF | KIT ELECTROVANNE GROUPE 110-120V NSF | KIT MAGNETVENTIL GRUPPE 110-120V NSF |
| 4 | 23551 | VITE TCEI INOX 4x12 UNI 5931 DIN912 | STEEL SCREW TCCE 4x12 UNI 5931 | VIS INOX TCCE 4x12 UNI 5931 | STAHLSCHRAUBE TCCE 4x12 UNI 5931 |
| 5 | 52000168 | TUBO D-12 L.92 | TUBE D-12 L.92 | TUYAU D-12 L.92 | ROHR D-12 L.92 |
| 6 | 52000194 | TUBO D-12 L.132 | TUBE D-12 L.132 | TUYAU D-12 L.132 | ROHR D-12 L.132 |
| 7 | 25789306 | TAPPO PORTA GIGLEUR GRUPPO CTS 03 | CAP GROUP JET | BOUCHON GIGLEUR | STOPFEN EINSPRITZDUSE |
| 8 | 12336000 | GUARNIZIONE ORM 0170-30 NBR Di17x3 | GASKET ORM 0170-30 HNBR 70Sh | JOINT ORM 0170-30 HNBR 70Sh | DICHTUNG ORM 0170-30 HNBR 70Sh |
| 9 | 10253 | FILTRO GIGLER | JET FILTER | FILTRE GICLEUR | DUSE FILTER |
| 10 | 10300B | GIGLER OTT. x GRUPPO D 1.0 | BRASS JET x GROUP D 1.0 | GICLEUR LAITON x GROUPE D 1.0 | VERMESSINGTE DUSE x GRUPPE D 1.0 |
| 11 | 25739502 | PORTAGIGLER GRUPPO CTS 03 | NOZZLE HOLDER GROUP CTS 03 | PORTE-GICLEUR GROUPE CTS 03 | DUSEHALTER GRUPPE CTS 03 |
| 12 | 12300026 | GUARNIZIONE OR | O RING GASKET | JOINT OR | OR DICHTUNG |
| 13 | 12336001 | GUARNIZIONE NBR Di25x4 | GASKET NBR Di 25x4 | JOINT NBR Di 25x4 | DICHTUNG NBR Di 25x4 |
| 14 | 56130001 | ASSIEME PORTAGIGLER GRUPPO CTS 03 | ASSEMBLY NOZZLE HOLDER GROUP CTS 03 | PORTE-GICLEUR GROUPE CTS 03 | DUSEHALTER GRUPPE CTS 03R |
| 15 | 25789301 | TAPPO CAMERA PREINFUSIONE | CAP GROUP | BOUCHON GROUPE | STOPFEN ABGABEGRUPPE |
| 16 | 12303 | GUARNIZIONE OR | O RING GASKET | JOINT OR | OR DICHTUNG |
| 17 | 25687002 | RACCORDO 3/8x3/8 GAS GRP CTS 03 | CONNECTOR 3/8x3/8 CTS 03 UNIT | RACCORD 3/8x3/8 GR. CTS 03 | ANSCHLUSS 3/8x3/8 CTS 03 |
| 18 | 25422008 | DIFFUSORE GRUPPO CTS | GROUP DIFFUSER | DIFFUSEUR GROUPE | GRUPPE VERTEILER |
| 19 | 12217001 | GUARN.GOMMA S.COPPA 64x52x6,5 CTS05 | SIZE FILTER SUPPORT RUBBER 64x52x6,5 | JOINT CAOUTCHOU SOUCOUPÉ 64x52x6,5 | FILTERHALTER-GUMMIDICHTUNG 64x52x6,5 |
| 19 | 12217002 | GUARN.GOMMA S.COPPA 64x52x7 CTS05 MAGGIOR. | SIZE FILTER SUPPORT RUBBER 64x52x7 | JOINT CAOUTCHOU SOUCOUPÉ 64x52x7 | FILTERHALTER-GUMMIDICHTUNG 64x52x7 |
| 20 | 25627004 | PORTADOCETTA GRUPPO CTS 05 | WATER SPOUT UNIT SUPPORT | PORTE-DOUCHETTE GROUPE DISTRIBUTION | DUSCHTRAGER VERSORGUNGSEINHEIT |
| 20 | 25627005 | PORTADOCETTA GRUPPO CTS 05 H 9.5 | WATER SPOUT UNIT SUPPORT | PORTE-DOUCHETTE GROUPE DISTRIBUTION | DUSCHTRAGER VERSORGUNGSEINHEIT |
| 21 | 27100001 | DOCETTA GRUPPO CTS 05 D.48 | GROUP SHOWER PLATE D.48 | DOUCHETTE GROUPE D.48 | DUSCHE VERTEILEREINHEIT D.48 |
| 22 | 23409004 | VITE TE+TC INOX 5x20 | 5x20 STAINLESS STEEL SCREW | VIS INOX 5X20 | STAHLSCHRAUBE 5X20 |



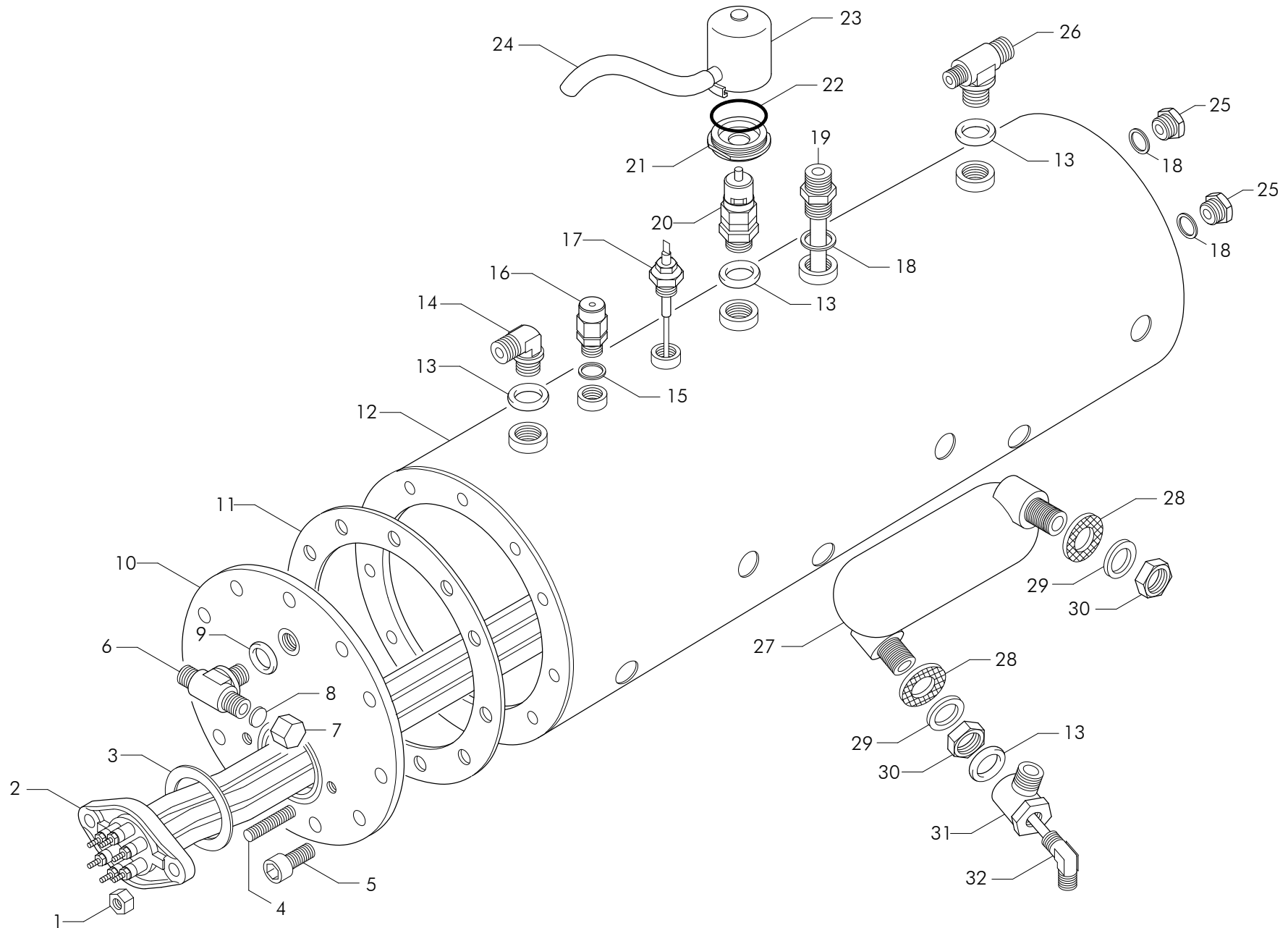
1GR

| Pos | Cod. | Denominazione - IT - | Denomination - GB - | Denomination - FR - | Denomination - DE - |
|-----|------------|---------------------------------------|--|-------------------------------------|-------------------------------------|
| 1 | 23049 | DADO OTTONE M8 | BRASS NUT M8 | ECROU LAITON M8 | MESSING-SCHRAUBENMUTTER M8 |
| 2 | 4617001 | RESISTENZA 1GR 4P 120V 2000W | HEATING ELEMENT 1GR 110V-2000W | RESISTANCE 1GR 110V2000W | HEIZKORPER 1 GR 110V 2000W |
| 2 | 4617012 | RESISTENZA 1GR 6P 230/240V 2700/2940W | HEATING ELEM.1GR 230/240V 2700/2940W | RESISTANCE 1GR 230/240V 2700/2940W | HEIZKORPER 1GR 230/240V 2700/2940W |
| 3 | 12001 | GUARNIZIONE TEFLON 58x43x2 | TEFLON GASKET 58x43x2 | JOINT TEFLON 58x43x2 | TEFLON DICHTUNG 58x23x2 |
| 4 | 23133 | PRIGIONIERO INOX 8x40 | STAINLESS STEEL BOLT 8x40 | VIS INOX 8x40 | STAHLSCHRAUBE 8x40 8x40 |
| 5 | 23556 | VITE TCEI INOX 10x20 | STEEL SCREW TCCE 10X20 | VIS INOX TCCE 10X20 | STAHLSCHRAUBE TCCE 10x20 |
| 6 | 43060 | RACCORDO 1/4x1/4x1/4 T | 'T' CONNECTOR 1/4 + 1/4 + 1/4 | RACCORD 'T' 1/4 + 1/4 + 1/4 | T' -ANSCHLUSS 1/4+1/4+1/4 |
| 7 | 25782 | TAPPO FEMMINA 1/4 GAS | 1/4 GAS FEMALE TAP | BOUCHON FEMELLE 1/4 GAZ | INNENANSCHLUSSSTOPSEL 1/4 GAS |
| 8 | 12007 | GUARNIZIONE KLINGERSIL4400 | KLINGERSIL4400 SEAL | JOINT KLINGERSIL4400 | DICHTUNG KLINGER SIL4400 |
| 9 | 12100 | GUARNIZIONE CU/ALIM 1/4 18.7x13.2x2.5 | CU GASKET 1/4 18.7X13.2X2.5 | JOINT CU 1/4 18.7X13.2X2.5 | CU DICHTUNG 1/4 18.7x13.2x2.5 |
| 10 | 53011 | FLANGIA | FLANGE | BRIDE | FLANSCH |
| 11 | 12003 | GUARNIZIONE CALDAIA | BOILER GASKET | JOINT CHAUDIERE | KESSELDICHTUNG |
| 12 | 62020007 | CALDAIA 1GR CTS | 1GR CTS BOILER | CHAUDIERE 1GR CTS | KESSEL 1GR CTS |
| 13 | 12101 | GUARNIZIONE RAME 3/8 22x17x3 | GASKET COPPER 3/8 22x17x3 | JOINT CUIVRE 3/8 22x17x3 | KUPFERDICHTUNG 3/8 22x17x3 |
| 14 | 43052 | RACCORDO "L" 3/8 | CONNECTOR 'L' 3/8 | RACCORD 'L' 3/8 | ANSCHLUSS 'L' 3/8 |
| 15 | 12153 | GUARNIZIONE RAME 1/4 17x13.3x1.5 | GASKET 1/4 17x13.3x1.5 COPPER | JOINT CUIVRE 1/4 17x13.3x1.5 | KUPFERDICHTUNG 1/4 17x13.3x1.5 |
| 16 | 56150 | VALVOLA ANTIRISUCCHIO V.A.R. | ANTI-EDDY VALVE V.A.R. | SOUPAPE ANTI-DEPRESSION V.A.R. | VENTIL UNTERDRUCKFREI V.A.R. |
| 17 | 12154 | GUARNIZIONE CU 3/8 22x17x1.5 | GASKET COPPER 3/8 22x17x1,5 | JOINT CUIVRE 3/8 22x17x1.5 | KUPFERDICHTUNG 3/8 22x17x1.5 |
| 18 | 25785 | TAPPO MASCHIO 3/8 | MALE CAP 3/8 | BOUCHON MALE 3/8 | STOPFEN 3/8 |
| 19 | 20251 | SONDA LIVELLO L.125 | LEVEL PROBE L.125 | JAUG L.125 | PEGELFUHLER L.125 |
| 20 | 52001612 | TUBO D-10 L.115 | TUBE D-10 L.115 | TUYAU D-10 L.115 | ROHR D-10 L.115 |
| 21 | 20352 | VALVOLA DI SICUREZZA *CE* | *CE* SAFETY VALVE | SOUPAPE DE SECURITE *CE* | SICHERHEITSVENTIL *CE* |
| 22 | 15006001 | FLANGIA VALVOLA SICUREZZA | FLANGE VALVE | JOINT VANNE | FLANSCH VENTIL |
| 23 | 12300000 | GUARNIZIONE OR | GASKET O RING | JOINT OR | OR DICHTUNG |
| 24 | 56009980 | ASSIEME PROTEZIONE VALVOLE SICUREZZA | UNIT PROTECTION VALVE | ENSEMBLE PROTECTION VANNE | SATZ-SCHUTZGITTER VENTIL |
| 25 | 15478002 | TUBO SILICONE 8x11 L.70cm | SILICONE TUBE 8x11 L.70cm | TUYAU SILICONE 8x11 L.70cm | SILIKONROHR 8x11 L.70cm |
| 26 | 43033 | RACCORDO "T" 3/8x3/8x1/4 | 3/8x3/8x1/4 T FITTING | RACCORD "T" 3/8x3/8x1/4 | ANSCHLUSS 3/8x3/8x1/4 T |
| 27 | 63200002 | SCAMBIATORE CIRC.TERMOSIFONICA D-80 | EXCHANGER WITH THERMOSIPH.CIRCULATI D-80 | ECHANG. CIRCUL. A THERMOSIPHON D-80 | AUSTAUSCHER MIT ROHREN D-80 |
| 28 | 12005 | GUARNIZIONE 28x17x2 | GASKET 28X17X2 | JOINT 28X17X2 | DICHTUNG 28x17x2 |
| 29 | 25651 | RONDELLA OTTONE 3/8 | BRASS WASHER 3/8 | RONDELLE LAITON 3/8 | MESSINGSCHLEIBE 3/8 |
| 30 | 25356 | CONTRODADO OTTONE 3/8 | BRASS LOCK NUT 3/8 | CONTRE-ECROU LAITON 3/8 | MESSING-GEGENMUTTER 3/8 |
| 31 | 43030001 | RACCORDO INIETTORE 3/8Fx3/8Mx14F | 3/8Fx3/8Mx14F INJECTOR FITTING | RACC. INJECTEUR 3/8Fx3/8Mx14F | ANSCHLUSS EINSPRITZER 3/8Fx3/8Mx14F |
| 32 | 4852000410 | TUBO D-6 L.85 | TUBE D-6 L.85 | TUYAU D-6 L.85 | ROHR D-6 L.85 |



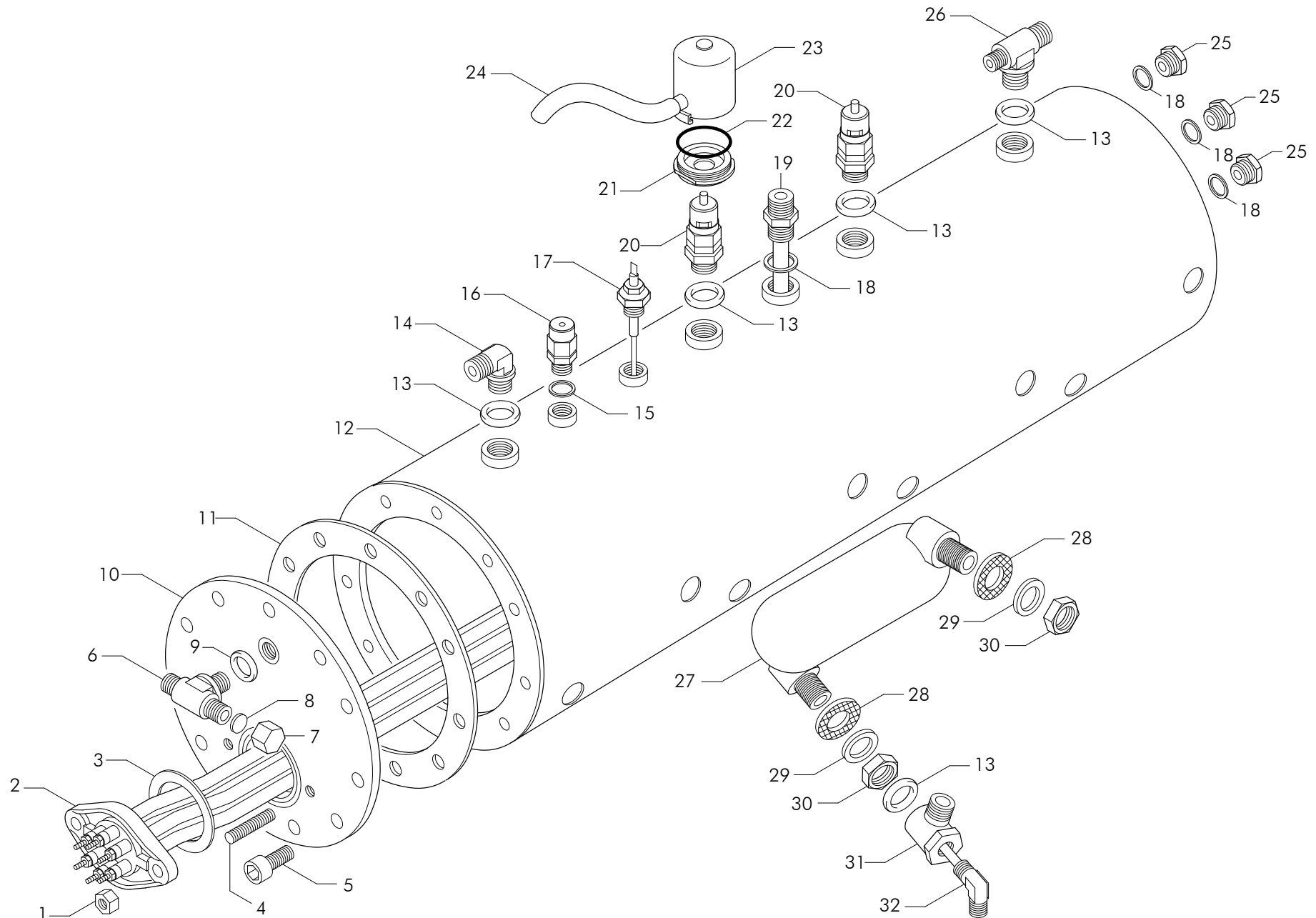
2GR

| Pos | Cod. | Denominazione - IT - | Denomination - GB - | Denomination - FR - | Denomination - DE - |
|-----|------------|---------------------------------------|--|-------------------------------------|-------------------------------------|
| 1 | 23049 | DADO OTTONE M8 | BRASS NUT M8 | ECROU LAITON M8 | MESSING-SCHRAUBENMUTTER M8 |
| 2 | 4617050 | RESISTENZA 2GR 4P 120V 2600W | HEATING ELEM. 2GR 4P 120V 2600W | RESISTANCE 2GR 4P 120V 2600W | HEIZKORPER 2GR 4P 120V 2600W |
| 2 | 4617059 | RESISTENZA 2GR 230/240V 3400/3700W | HEATING EL.2GR 220/240V 3400/3700W | RESISTANCE 2GR 220/240V 3400/3700W | HEIZKORPER 2GR 220/240V 3400/3700W |
| 3 | 12001 | GUARNIZIONE TEFLON 58x43x2 | TEFLON GASKET 58x43x2 | JOINT TEFLON 58x43x2 | TEFLON DICHTUNG 58x23x2 |
| 4 | 23133 | PRIGIONIERO INOX 8x40 | STAINLESS STEEL BOLT 8x40 | VIS INOX 8x40 | STAHLSCHRAUBE 8x40 8x40 |
| 5 | 23556 | VITE TCEI INOX 10x20 | STEEL SCREW TCCE 10X20 | VIS INOX TCCE 10X20 | STAHLSCHRAUBE TCCE 10x20 |
| 6 | 43060 | RACCORDO 1/4x1/4x1/4 T | 'T' CONNECTOR 1/4 + 1/4 + 1/4 | RACCORD 'T' 1/4 + 1/4 + 1/4 | T' -ANSCHLUSS 1/4+1/4+1/4 |
| 7 | 25782 | TAPPO FEMMINA 1/4 GAS | 1/4 GAS FEMALE TAP | BOUCHON FEMELLE 1/4 GAZ | INNENANSCHLUSSSTOPSEL 1/4 GAS |
| 8 | 12007 | GUARNIZIONE KLINGERSIL4400 | KLINGERSIL4400 SEAL | JOINT KLINGERSIL4400 | DICHTUNG KLINGER SIL4400 |
| 9 | 12100 | GUARNIZIONE CU/ALIM 1/4 18.7x13.2x2.5 | CU GASKET 1/4 18.7X13.2X2.5 | JOINT CU 1/4 18.7X13.2X2.5 | CU DICHTUNG 1/4 18.7x13.2x2.5 |
| 10 | 53011 | FLANGIA | FLANGE | BRIDE | FLANSCH |
| 11 | 12003 | GUARNIZIONE CALDAIA | BOILER GASKET | JOINT CHAUDIERE | KESSELDICHTUNG |
| 12 | 62143004 | CALDAIA 2GR CTS AEA | 2GR CTS AEA BOILER | CHAUDIERE 2GR CTS AEA | KESSEL 2GR CTS AEA |
| 13 | 12101 | GUARNIZIONE RAME 3/8 22x17x3 | GASKET COPPER 3/8 22x17x3 | JOINT CUIVRE 3/8 22x17x3 | KUPFERDICHTUNG 3/8 22x17x3 |
| 14 | 43052 | RACCORDO "L" 3/8 | CONNECTOR 'L' 3/8 | RACCORD 'L' 3/8 | ANSCHLUSS 'L' 3/8 |
| 15 | 56150 | VALVOLA ANTIRISUCCHIO V.A.R. | ANTI-EDDY VALVE V.A.R. | SOUPAPE ANTI-DEPRESSION V.A.R. | VENTIL UNTERDRUCKFREI V.A.R. |
| 16 | 20251 | SONDA LIVELLO L.125 | LEVEL PROBE L.125 | JAUG L.125 | PEGELFUHLER L.125 |
| 17 | 20352 | VALVOLA DI SICUREZZA *CE* | *CE* SAFETY VALVE | SOUPAPE DE SECURITE *CE* | SICHERHEITSVENTIL *CE* |
| 18 | 15006001 | FLANGIA VALVOLA SICUREZZA | FLANGE VALVE | JOINT VANNE | FLANSCH VENTIL |
| 19 | 12300000 | GUARNIZIONE OR | GASKET O RING | JOINT OR | OR DICHTUNG |
| 20 | 56009980 | ASSIEME PROTEZIONE VALVOLE SICUREZZA | UNIT PROTECTION VALVE | ENSEMBLE PROTECTION VANNE | SATZ-SCHUTZGITTER VENTIL |
| 21 | 15478002 | TUBO SILICONE 8x11 L.70cm | SILICONE TUBE 8x11 L.70cm | TUYAU SILICONE 8x11 L.70cm | SILIKONROHR 8x11 L.70cm |
| 22 | 12153 | GUARNIZIONE RAME 1/4 17x13.3x1.5 | GASKET 1/4 17x13.3x1.5 COPPER | JOINT CUIVRE 1/4 17x13.3x1.5 | KUPFERDICHTUNG 1/4 17x13.3x1.5 |
| 23 | 12154 | GUARNIZIONE CU 3/8 22x17x1.5 | GASKET COPPER 3/8 22x17x1,5 | JOINT CUIVRE 3/8 22x17x1.5 | KUPFERDICHTUNG 3/8 22x17x1.5 |
| 24 | 52001612 | TUBO D-10 L.115 | TUBE D-10 L.115 | TUYAU D-10 L.115 | ROHR D-10 L.115 |
| 25 | 25785 | TAPPO MASCHIO 3/8 | MALE CAP 3/8 | BOUCHON MALE 3/8 | STOPFEN 3/8 |
| 26 | 43033 | RACCORDO "T" 3/8x3/8x1/4 | 3/8x3/8x1/4 T FITTING | RACCORD "T" 3/8x3/8x1/4 | ANSCHLUSS 3/8x3/8x1/4 T |
| 27 | 63200002 | SCAMBIATORE CIRC.TERMOSIFONICA D-80 | EXCHANGER WITH THERMOSIPH.CIRCULATI D-80 | ECHANG. CIRCUL. A THERMOSIPHON D-80 | AUSTAUSCHER MIT ROHREN D-80 |
| 28 | 12005 | GUARNIZIONE 28x17x2 | GASKET 28X17X2 | JOINT 28X17X2 | DICHTUNG 28x17x2 |
| 29 | 25651 | RONDELLA OTTONE 3/8 | BRASS WASHER 3/8 | RONDELLE LAITON 3/8 | MESSINGSCHIEBE 3/8 |
| 30 | 25356 | CONTRODADO OTTONE 3/8 | BRASS LOCK NUT 3/8 | CONTRE-ECROU LAITON 3/8 | MESSING-GEGENMUTTER 3/8 |
| 31 | 43030001 | RACCORDO INIETTORE 3/8Fx3/8Mx14F | 3/8Fx3/8Mx14F INJECTOR FITTING | RACC. INJECTEUR 3/8Fx3/8Mx14F | ANSCHLUSS EINSPRITZER 3/8Fx3/8Mx14F |
| 32 | 4852000410 | TUBO D-6 L.85 | TUBE D-6 L.85 | TUYAU D-6 L.85 | ROHR D-6 L.85 |



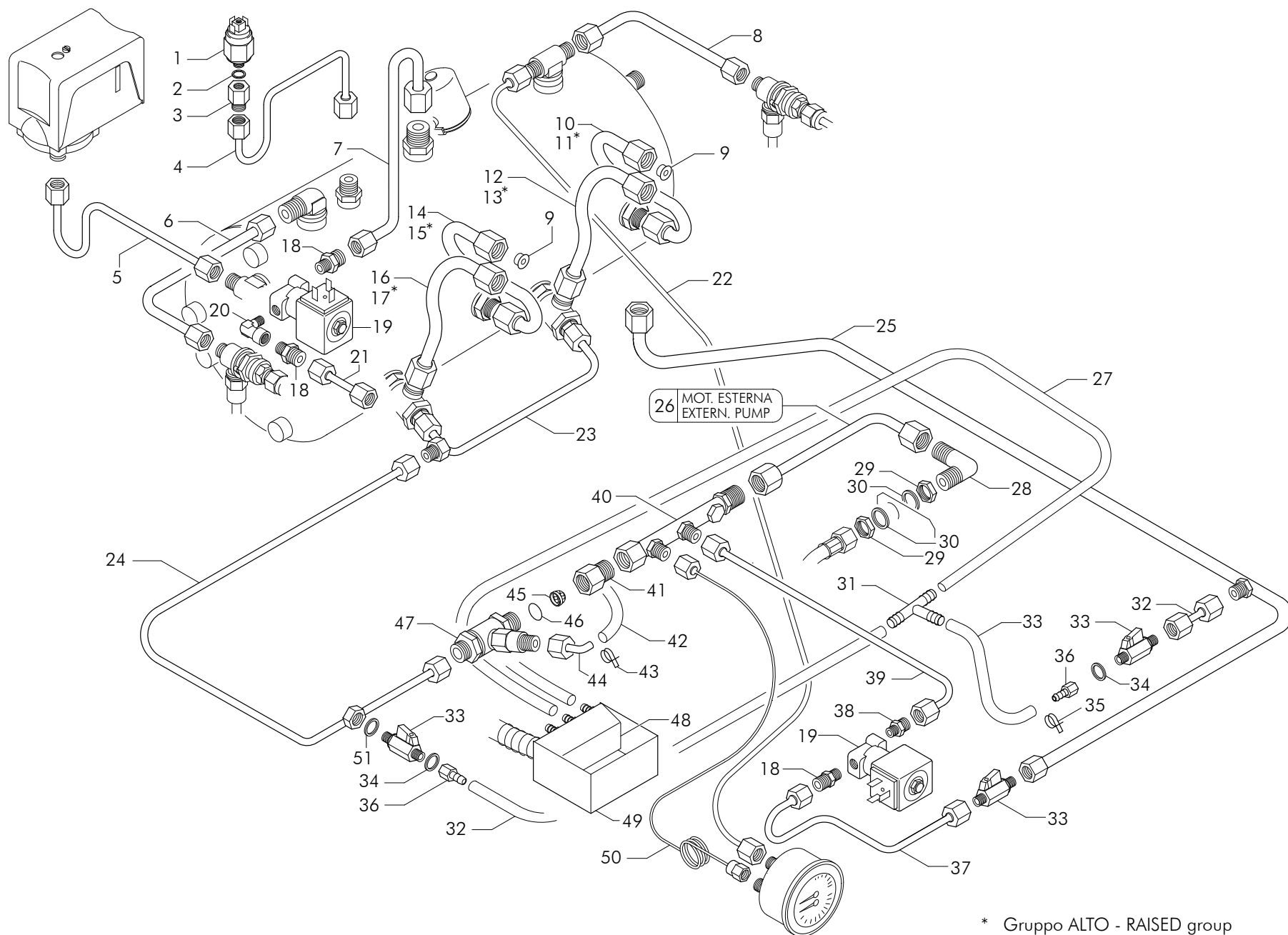
3GR

| Pos | Cod. | Denominazione - IT - | Denomination - GB - | Denomination - FR - | Denomination - DE - |
|-----|------------|--|--|-------------------------------------|-------------------------------------|
| 1 | 23049 | DADO OTTONE M8 | BRASS NUT M8 | ECROU LAITON M8 | MESSING-SCHRAUBENMUTTER M8 |
| 2 | 4617107 | RESISTENZA 3GR 6P 230/240V 5000/5440W CW51 | HEATING EL. 3GR 220/240V 5000/5440 6P | RESISTANCE 3GR 220/240V 5000/5440W | HEIZKORPER 3GR 220/240V 5000/5440W |
| 3 | 12001 | GUARNIZIONE TEFLON 58x43x2 | TEFLON GASKET 58x43x2 | JOINT TEFLON 58x43x2 | TEFLON DICHTUNG 58x23x2 |
| 4 | 23133 | PRIGIONIERO INOX 8x40 | STAINLESS STEEL BOLT 8x40 | VIS INOX 8x40 | STAHLSCHRAUBE 8x40 8x40 |
| 5 | 23556 | VITE TCEI INOX 10x20 | STEEL SCREW TCCE 10X20 | VIS INOX TCCE 10X20 | STAHLSCHRAUBE TCCE 10x20 |
| 6 | 43060 | RACCORDO 1/4x1/4x1/4 T | 'T' CONNECTOR 1/4 + 1/4 + 1/4 | RACCORD 'T' 1/4 + 1/4 + 1/4 | T'-ANSCHLUSS 1/4+1/4+1/4 |
| 7 | 25782 | TAPPO FEMMINA 1/4 GAS | 1/4 GAS FEMALE TAP | BOUCHON FEMELLE 1/4 GAZ | INNENANSCHLUSSSTOPSEL 1/4 GAS |
| 8 | 12007 | GUARNIZIONE KLINGERSIL4400 | KLINGERSIL4400 SEAL | JOINT KLINGERSIL4400 | DICHTUNG KLINGER SIL4400 |
| 9 | 12100 | GUARNIZIONE CU/ALIM 1/4 18.7x13.2x2.5 | CU GASKET 1/4 18.7X13.2X2.5 | JOINT CU 1/4 18.7X13.2X2.5 | CU DICHTUNG 1/4 18.7x13.2x2.5 |
| 10 | 53011 | FLANGIA | FLANGE | BRIDE | FLANSCH |
| 11 | 12003 | GUARNIZIONE CALDAIA | BOILER GASKET | JOINT CHAUDIERE | KESSELDICHTUNG |
| 12 | 62250005 | CALDAIA 3GR CTS | 3GR CTS BOILER | CHAUDIERE 3GR CTS | KESSEL 3GR CTS |
| 13 | 12101 | GUARNIZIONE RAME 3/8 22x17x3 | GASKET COPPER 3/8 22x17x3 | JOINT CUIVRE 3/8 22x17x3 | KUPFERDICHTUNG 3/8 22x17x3 |
| 14 | 43052 | RACCORDO "L" 3/8 | CONNECTOR 'L' 3/8 | RACCORD 'L' 3/8 | ANSCHLUSS 'L' 3/8 |
| 15 | 12153 | GUARNIZIONE RAME 1/4 17x13.3x1.5 | GASKET 1/4 17x13.3x1.5 COPPER | JOINT CUIVRE 1/4 17x13.3x1.5 | KUPFERDICHTUNG 1/4 17x13.3x1.5 |
| 16 | 56150 | VALVOLA ANTIRISUCCHIO V.A.R. | ANTI-EDDY VALVE V.A.R. | SOUPAPE ANTI-DEPRESSION V.A.R. | VENTIL UNTERDRUCKFREI V.A.R. |
| 17 | 20251 | SONDA LIVELLO L.125 | LEVEL PROBE L.125 | JAUG L.125 | PEGELFUHLER L.125 |
| 18 | 12154 | GUARNIZIONE CU 3/8 22x17x1.5 | GASKET COPPER 3/8 22x17x1,5 | JOINT CUIVRE 3/8 22x17x1.5 | KUPFERDICHTUNG 3/8 22x17x1.5 |
| 19 | 52001612 | TUBO D-10 L.115 | TUBE D-10 L.115 | TUYAU D-10 L.115 | ROHR D-10 L.115 |
| 20 | 20352 | VALVOLA DI SICUREZZA *CE* | *CE* SAFETY VALVE | SOUPAPE DE SECURITE *CE* | SICHERHEITSVENTIL *CE* |
| 21 | 15006001 | FLANGIA VALVOLA SICUREZZA | FLANGE VALVE | JOINT VANNE | FLANSCH VENTIL |
| 22 | 12300000 | GUARNIZIONE OR | GASKET O RING | JOINT OR | OR DICHTUNG |
| 23 | 56009980 | ASSIEME PROTEZIONE VALVOLE SICUREZZA | UNIT PROTECTION VALVE | ENSEMBLE PROTECTION VANNE | SATZ-SCHUTZGITTER VENTIL |
| 24 | 15478002 | TUBO SILICONE 8x11 L.70cm | SILICONE TUBE 8x11 L.70cm | TUYAU SILICONE 8x11 L.70cm | SILIKONROHR 8x11 L.70cm |
| 25 | 25785 | TAPPO MASCHIO 3/8 | MALE CAP 3/8 | BOUCHON MALE 3/8 | STOPFEN 3/8 |
| 26 | 43033 | RACCORDO "T" 3/8x3/8x1/4 | 3/8x3/8x1/4 T FITTING | RACCORD "T" 3/8x3/8x1/4 | ANSCHLUSS 3/8x3/8x1/4 T |
| 27 | 63200002 | SCAMBIATORE CIRC.TERMOSIFONICA D-80 | EXCHANGER WITH THERMOSIPH.CIRCULATI D-80 | ECHANG. CIRCUL. A THERMOSIPHON D-80 | AUSTAUSCHER MIT ROHREN D-80 |
| 28 | 12005 | GUARNIZIONE 28x17x2 | GASKET 28X17X2 | JOINT 28X17X2 | DICHTUNG 28x17x2 |
| 29 | 25651 | RONDELLA OTTONE 3/8 | BRASS WASHER 3/8 | RONDELLE LAITON 3/8 | MESSINGSCHLEIBE 3/8 |
| 30 | 25356 | CONTRODADO OTTONE 3/8 | BRASS LOCK NUT 3/8 | CONTRE-ECROU LAITON 3/8 | MESSING-GEGENMUTTER 3/8 |
| 31 | 43030001 | RACCORDO INIETTORE 3/8Fx3/8Mx14F | 3/8Fx3/8Mx14F INJECTOR FITTING | RACC. INJECTEUR 3/8Fx3/8Mx14F | ANSCHLUSS EINSPRITZER 3/8Fx3/8Mx14F |
| 32 | 4852000410 | TUBO D-6 L.85 | TUBE D-6 L.85 | TUYAU D-6 L.85 | ROHR D-6 L.85 |



4GR

| Pos | Cod. | Denominazione - IT - | Denomination - GB - | Denomination - FR - | Denomination - DE - |
|-----|------------|---------------------------------------|--|-------------------------------------|-------------------------------------|
| 1 | 23049 | DADO OTTONE M8 | BRASS NUT M8 | ECROU LAITON M8 | MESSING-SCHRAUBENMUTTER M8 |
| 2 | 4617153 | RESISTENZA 4GR 6P 230/240V 6000/6530W | HEATING EL. 4GR 220/240V 6530W 6P | RESISTANCE 4GR 220/240V 6530W 6P | HEIZKORPER 4GR 220/240V 6530W 6P |
| 3 | 12001 | GUARNIZIONE TEFLON 58x43x2 | TEFLON GASKET 58x43x2 | JOINT TEFLON 58x43x2 | TEFLON DICHTUNG 58x23x2 |
| 4 | 23133 | PRIGIONIERO INOX 8x40 | STAINLESS STEEL BOLT 8x40 | VIS INOX 8x40 | STAHLSCHRAUBE 8x40 8x40 |
| 5 | 23556 | VITE TCEI INOX 10x20 | STEEL SCREW TCCE 10X20 | VIS INOX TCCE 10X20 | STAHLSCHRAUBE TCCE 10x20 |
| 6 | 43060 | RACCORDO 1/4x1/4x1/4 T | 'T' CONNECTOR 1/4 + 1/4 + 1/4 | RACCORD 'T' 1/4 + 1/4 + 1/4 | T'-ANSCHLUSS 1/4+1/4+1/4 |
| 7 | 25782 | TAPPO FEMMINA 1/4 GAS | 1/4 GAS FEMALE TAP | BOUCHON FEMELLE 1/4 GAZ | INNENANSCHLUSSSTOPSEL 1/4 GAS |
| 8 | 12007 | GUARNIZIONE KLINGERSIL4400 | KLINGERSIL4400 SEAL | JOINT KLINGERSIL4400 | DICHTUNG KLINGER SIL4400 |
| 9 | 12100 | GUARNIZIONE CU/ALIM 1/4 18.7x13.2x2.5 | CU GASKET 1/4 18.7X13.2X2.5 | JOINT CU 1/4 18.7X13.2X2.5 | CU DICHTUNG 1/4 18.7x13.2x2.5 |
| 10 | 53011 | FLANGIA | FLANGE | BRIDE | FLANSCH |
| 11 | 12003 | GUARNIZIONE CALDAIA | BOILER GASKET | JOINT CHAUDIERE | KESSELDICHTUNG |
| 12 | 62356004 | CALDAIA 4GR CTS | CTS BOILER 4 UNIT | CHAUDIERE 4GR CTS | HEIZKESSEL 4GR CTS |
| 13 | 12101 | GUARNIZIONE RAME 3/8 22x17x3 | GASKET COPPER 3/8 22x17x3 | JOINT CUIVRE 3/8 22x17x3 | KUPFERDICHTUNG 3/8 22x17x3 |
| 14 | 43052 | RACCORDO "L" 3/8 | CONNECTOR 'L' 3/8 | RACCORD 'L' 3/8 | ANSCHLUSS 'L' 3/8 |
| 15 | 12153 | GUARNIZIONE RAME 1/4 17x13.3x1.5 | GASKET 1/4 17x13.3x1.5 COPPER | JOINT CUIVRE 1/4 17x13.3x1.5 | KUPFERDICHTUNG 1/4 17x13.3x1.5 |
| 16 | 56150 | VALVOLA ANTIRISUCCHIO V.A.R. | ANTI-EDDY VALVE V.A.R. | SOUPAPE ANTI-DEPRESSION V.A.R. | VENTIL UNTERDRUCKFREI V.A.R. |
| 17 | 20251 | SONDA LIVELLO L.125 | LEVEL PROBE L.125 | JAUG L.125 | PEGELFUHLER L.125 |
| 18 | 12154 | GUARNIZIONE CU 3/8 22x17x1.5 | GASKET COPPER 3/8 22x17x1,5 | JOINT CUIVRE 3/8 22x17x1.5 | KUPFERDICHTUNG 3/8 22x17x1.5 |
| 19 | 52001612 | TUBO D-10 L.115 | TUBE D-10 L.115 | TUYAU D-10 L.115 | ROHR D-10 L.115 |
| 20 | 20352 | VALVOLA DI SICUREZZA *CE* | *CE* SAFETY VALVE | SOUPAPE DE SECURITE *CE* | SICHERHEITSVENTIL *CE* |
| 21 | 15006001 | FLANGIA VALVOLA SICUREZZA | FLANGE VALVE | JOINT VANNE | FLANSCH VENTIL |
| 22 | 12300000 | GUARNIZIONE OR | GASKET O RING | JOINT OR | OR DICHTUNG |
| 23 | 56009980 | ASSIEME PROTEZIONE VALVOLE SICUREZZA | UNIT PROTECTION VALVE | ENSEMBLE PROTECTION VANNE | SATZ-SCHUTZGITTER VENTIL |
| 24 | 15478002 | TUBO SILICONE 8x11 L.70cm | SILICONE TUBE 8x11 L.70cm | TUYAU SILICONE 8x11 L.70cm | SILIKONROHR 8x11 L.70cm |
| 25 | 25785 | TAPPO MASCHIO 3/8 | MALE CAP 3/8 | BOUCHON MALE 3/8 | STOPFEN 3/8 |
| 26 | 43033 | RACCORDO "T" 3/8x3/8x1/4 | 3/8x3/8x1/4 T FITTING | RACCORD "T" 3/8x3/8x1/4 | ANSCHLUSS 3/8x3/8x1/4 T |
| 27 | 63200002 | SCAMBIATORE CIRC.TERMOSIFONICA D-80 | EXCHANGER WITH THERMOSIPH.CIRCULATI D-80 | ECHANG. CIRCUL. A THERMOSIPHON D-80 | AUSTAUSCHER MIT ROHREN D-80 |
| 28 | 12005 | GUARNIZIONE 28x17x2 | GASKET 28X17X2 | JOINT 28X17X2 | DICHTUNG 28x17x2 |
| 29 | 25651 | RONDELLA OTTONE 3/8 | BRASS WASHER 3/8 | RONDELLE LAITON 3/8 | MESSINGSCHIEBE 3/8 |
| 30 | 25356 | CONTRODADO OTTONE 3/8 | BRASS LOCK NUT 3/8 | CONTRE-ECROU LAITON 3/8 | MESSING-GEGENMUTTER 3/8 |
| 31 | 43030001 | RACCORDO INIETTORE 3/8Fx3/8Mx14F | 3/8Fx3/8Mx14F INJECTOR FITTING | RACC. INJECTEUR 3/8Fx3/8Mx14F | ANSCHLUSS EINSPRITZER 3/8Fx3/8Mx14F |
| 32 | 4852000410 | TUBO D-6 L.85 | TUBE D-6 L.85 | TUYAU D-6 L.85 | ROHR D-6 L.85 |



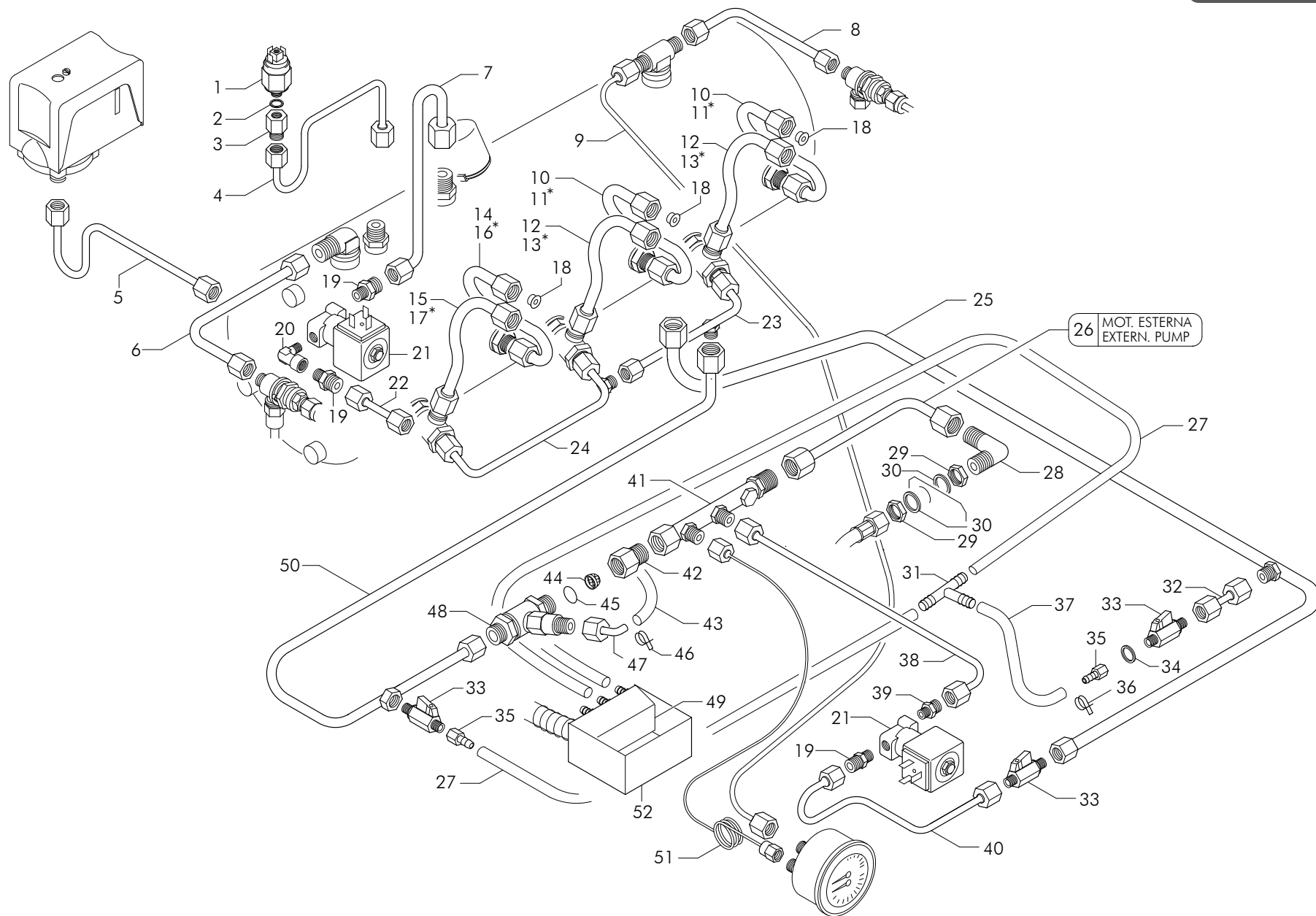
* Gruppo ALTO - RAISED group

AEP 2GR CTS '03

| Pos | Cod. | Denominazione - IT - | Denomination - GB - | Denomination - FR - | Denomination - DE - |
|-----|------------|---|--|-----------------------------------|---------------------------------------|
| 1 | 20158 | PRESSOSTATO N.C. 1/8 1-5 OT | PRESSURE SWITCH N.C. 1/8 1-5 OT | PRESSOSTAT N.C. 1/8 1-5 OT | DRUCKWACHTER N.C. 1/8 1-5 OT |
| 2 | 12151 | GUARNIZIONE RAME 1/8 13x10.2x1.5 | COPPER GASKET | JOINT CUIVRE | KUPFERDICHTUNG |
| 3 | 25743001 | RIDUZIONE 1/4Mx1/8F L.20 | REDUCTION 1/4Fx1/8M L.20 | REDUCTION 1/4Mx1/8F L.20 | REDUKTION 1/4Mx1/8F L.20 |
| 4 | 52004514 | TUBO D-6 L.315 | TUBE D-6 L.315 | TUYAU D-6 L.315 | ROHR D-6 L.315 |
| 5 | 52003932 | TUBO D-6 L.165 | TUBE D-6 L.165 | TUYAU D-6 L.165 | ROHR D-6 L.165 |
| 6 | 52000579 | TUBO D-8 L.235 TB28 | TUBE D-8 L.235 | TUYAU D-8 L.235 | ROHR D-8 L.235 |
| 7 | 52000578 | TUBO D-6 L.140 TB27 | TUBE D-6 L.140 | TUYAU D-6 L.140 | ROHR D-6 L.140 |
| 8 | 52000580 | TUBO D-8 L.260 TB29 | TUBE D-8 L.260 | TUYAU D-8 L.260 | ROHR D-8 L.260 |
| 9 | 23294001 | STROZZATURA RICIRCOLO GR CTS D 2.5 | CTS UNIT D 2.5 RECIRC. NECK | ETRANGLEMENT RECYCLAGE GR.D.2.5 | ENGSTELLE UMWALZUNG D. 2.5 |
| 9 | 23294003 | STROZZATURA RICIRCOLO GR CTS D 4 | CTS UNIT D 4 RECIRC. NECK | ETRANGLEMENT RECYCLAGE GR.D.4 | ENGSTELLE UMWALZUNG D. 4 |
| 10 | 52003934 | TUBO D-10 L.210 | TUBE D-10 L.210 | TUYAU D-10 L.210 | ROHR D-10 L.210 |
| 11 | 52000487 | TUBO D-10 L.205 | TUBE D-10 L.205 | TUYAU D-10 L.205 | ROHR D-10 L.205 |
| 12 | 52000245 | TUBO D-10 L.165 | TUBE D-10 L.165 | TUYAU D-10 L.165 | ROHR D-10 L.165 |
| 13 | 52000488 | TUBO D-10 L.200 | TUBE D-10 L.200 | TUYAU D-10 L.200 | ROHR D-10 L.200 |
| 14 | 52000214 | TUBO D-10 L.195 | TUBE D-10 L.195 | TUYAU D-10 L.195 | ROHR D-10 L.195 |
| 15 | 52000489 | TUBO D-10 L.240 | TUBE D-10 L.240 | TUYAU D-10 L.240 | ROHR D-10 L.240 |
| 16 | 52000272 | TUBO D-10 L.135 | TUBE D-10 L.135 | TUYAU D-10 L.135 | ROHR D. 10 L.135 |
| 17 | 52000490 | TUBO D-10 L.180 | TUBE D-10 L.180 | TUYAU D-10 L.180 | ROHR D-10 L.180 |
| 18 | 25707 | RACCORDO 1/8x1/4 | CONNECTOR 1/8x1/4 | RACCORD 1/8x1/4 | ANSCHLUSS 1/8x1/4 |
| 19 | 4618162005 | ELETTROVALVOLA AEA 220-240V 50-60Hz VDE | SOL.VALVE WATER REFILL 220/240 50/60HZ | ELECTROVANNE REA 220/240V 50/60Hz | ELEKTROVENTIL AWZ 230/250 V 50/60 Hz |
| 20 | 4723229103 | RACCORDO 1/8-1/8 | CONNECTOR 1/8-1/8 | RACCORD 1/8-1/8 | ANSCHLUSS 1/8-1/8 |
| 21 | 52002088 | TUBO D-6 L.45 | TUBE D-6 L.45 | TUYAU D-6 L.45 | ROHR D-6 L.45 |
| 22 | 52000715 | TUBO D-4 L.670 TB36 | TUBE D-4 L.670 | TUYAU D-4 L.670 | ROHR D-4 L.670 |
| 23 | 52000233 | TUBO D-6 L.230 | TUBE D-6 L.230 | TUYAU D-6 L.230 | ROHR D-6 L.230 |
| 24 | 52000873 | TUBO D-6 L.360 TB47 | TUBE D-6 L.360 | TUYAU D-6 L.360 | ROHR D-6 L.360 |
| 25 | 52004504 | TUBO D-8 L.550 | TUBE D-8 L.550 | TUYAU D-8 L.550 | ROHR D-8 L.550 |
| 26 | 52004510 | TUBO D-8 L.65 | TUBE D-8 L.65 | TUYAU D-8 L.65 | ROHR D-8 L.65 |
| 27 | 15452159 | TUBO SILICONE D-7x11 L.380 | TUBE SILICONE D-7x11 L.300 | TUYAU SILICONE D-7x11 L.300 | SILIKONROHR D7x11 L.300 |
| 28 | 43067 | RACCORDO "L" 3/8 GASx3/8 GAS L.30 | 3/8 GAS X 3/8 GAS L FITTING L.30 | RACCORD L 3/8 GAZx3/8 GAZ L.30 | ANSCHLUSS L 3/8 GAS x 3/8 GAS L. 30 |
| 29 | 25356 | CONTRODADO OTTONE 3/8 | BRASS LOCK NUT 3/8 | CONTRE-ECROU LAITON 3/8 | MESSING-GEGENMUTTER 3/8 |
| 30 | 25651 | RONDELLA OTTONE 3/8 | BRASS WASHER 3/8 | RONDELLE LAITON 3/8 | MESSINGSCHIEBE 3/8 |
| 31 | 15422017 | RACCORDO "T" POLIPROPILENE D-10 | "T" POLIPROPILENE FITTING | RACCORD "T" POLIPROPILENE | ANSCHLUSS "T" POLIPROPILENE |
| 32 | 52001590 | TUBO D-6 L.28 | TUBE D-6 L.28 | TUYAU D-6 L.28 | ROHR D-6 L.28 |
| 33 | 15452129 | TUBO SILICONE PLATINICO 7x11 L.40 | SILICON TUBE | SILICON TUYAU | SILIKON ROHR |
| 33 | 4620354001 | VALVOLA CHIUSURA L.40 | PRESSURE RELEASE TAP BULK UNIT L.40 | CLAPET FERMETURE AUT.ARRIVEE EAU | ABSPERRVENTIL x AUT.WASSERZUFUHR L.40 |
| 34 | 12153 | GUARNIZIONE RAME 1/4 17x13.3x1.5 | GASKET 1/4 17x13.3x1.5 COPPER | JOINT CUIVRE 1/4 17x13.3x1.5 | KUPFERDICHTUNG 1/4 17x13.3x1.5 |
| 35 | 15056002 | FASCETTA BIFILARE A MOLLA D.10,4-11,0 | CLAMP D.10,4 - 11,0 | COLLIER D.10,4 - 11,0 | SHELLE D.10,4 - 11,0 |
| 36 | 23228025 | RACC.DRITTO 1/4F +PORTAGOMMA D-8 OT/Ni | HOSE CONNECTION 1/4F D-8 | PORTE-CAOUTCHOUC 1/4F D-8 | GUMMIHALTER 1/4F D-8 |
| 37 | 52004508 | TUBO D-6 L.191 | TUBE D-6 L.191 | TUYAU D-6 L.191 | ROHR D-6 L.191 |
| 38 | 4625707004 | RACCORDO DRITTO 1/8x1/4 | STRAIGHT CONNECTOR 1/8-1/4 | RACCORD 1/8-1/4 | ANSCHLUSS 1/8-1/4 |

AEP 2GR CTS '03

| Pos | Cod. | Denominazione - IT - | Denomination - GB - | Denomination - FR - | Denomination - DE - |
|-----|------------|---------------------------------------|-------------------------------------|--|-------------------------------------|
| 39 | 52000617 | TUBO D-6 L.115 TB32 | TUBE D-6 L.115 TB32 | TUYAU D-6 L.115 TB32 | ROHR D-6 L.115 TB32 |
| 40 | 56136004 | ASSIEME BLOCCO DISTRIBUZ.2-3-4GR | DISTRIBUTION BLOCK 2-3-4GR | BLOC DISTRIBUTION 2-3-4GR | BLOCK VERTEILER 2-3-4GR |
| 41 | 25732100 | RACCORDO 3/8Mx3/8F + SEDE FILTRO | FITTING 3/8Mx3/8F | RACCORD 3/8Mx3/8F | ANSCHLUSS 3/8Mx3/8F |
| 42 | 15452136 | TUBO SILICONE D-7x11 L.300 | TUBE SILICONE D-7x11 L.300 | TUYAU SILICONE D-7x11 L.300 | SILIKONROHR D7x11 L.300 |
| 43 | 15056003 | FASCETTA BIFILARE A MOLLA D.11-11.6 | SPRING CLAMP BI FILAR D11,00-11.6 | COLLIER BIFILAIRE RESSORT D.11,00-11.6 | SCHELLE D.11-11,6 |
| 44 | 52000851 | TUBO D-8 L.45 | TUBE D-8 L.45 | TUYAU D-8 L.45 | ROHR D-8 L.45 |
| 45 | 10254 | FILTRO ACCIAIO 160-200 MESH | STEEL FILTER 160-200 MESH | FILTRE EN ACIER 160-200 MESH | STAHLFILTER 160-200 MESH |
| 46 | 12312 | GUARNIZIONE OR FILTRO AEA 10x2 | O RING FOR WATER REFILL FILTER 10x2 | JOINT OR FILTRE AUT.REM.EAU 10X2 | OR DICHTUNG FUR WASSERFULLUNGFILTER |
| 47 | 20361 | VALVOLA S.C.N.R. REGOLABILE | ADJUSTABLE S.C.N.R. VALVE | SOUPAPE S.C.N.R. REGLABLE | EINSTELLBARES VENTIL S.N.C.R. |
| 48 | 15502002 | PARATIA ROMPIGETTO VASCHETTA SCARICO | BULKHEAD | CLOISON | SCHOTT |
| 49 | 15502003 | VASCHETTA SCARICO BACINELLA | DRAIN PAN | DRAIN DE LA BAIGNOIRE | BADEWANNEABLAUF |
| 50 | 4652003055 | TUBO D-2 L.500 | TUBE D-2 L.500 | TUYAU D-2 L.500 | ROHR D-2 L.500 |
| 51 | 12100 | GUARNIZIONE CU/ALIM 1/4 18.7x13.2x2.5 | CU GASKET 1/4 18.7X13.2X2.5 | JOINT CU 1/4 18.7X13.2X2.5 | CU DICHTUNG 1/4 18.7x13.2x2.5 |



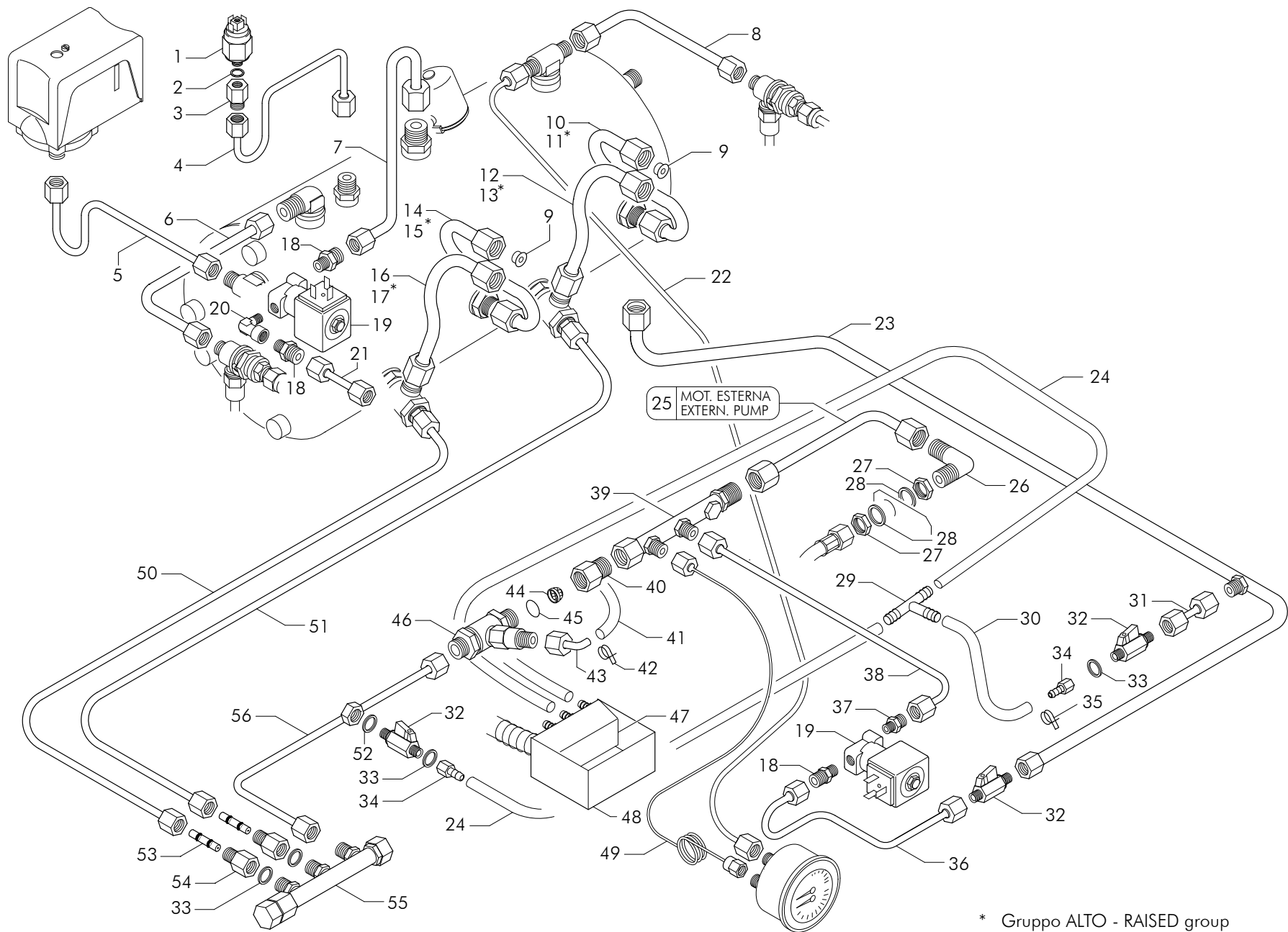
* Gruppo ALTO - RAISED group

AEP 3GR CTS '03

| Pos | Cod. | Denominazione - IT - | Denomination - GB - | Denomination - FR - | Denomination - DE - |
|-----|------------|---|--|--|---------------------------------------|
| 1 | 20158 | PRESSOSTATO N.C. 1/8 1-5 OT | PRESSURE SWITCH N.C. 1/8 1-5 OT | PRESSOSTAT N.C. 1/8 1-5 OT | DRUCKWACHTER N.C. 1/8 1-5 OT |
| 2 | 12151 | GUARNIZIONE RAME 1/8 13x10.2x1.5 | COPPER GASKET | JOINT CUIVRE | KUPFERDICHTUNG |
| 3 | 25743001 | RIDUZIONE 1/4Mx1/8F L.20 | REDUCTION 1/4Fx1/8M L.20 | REDUCTION 1/4Mx1/8F L.20 | REDUKTION 1/4Mx1/8F L.20 |
| 4 | 52004515 | TBS.D-6 L.435 SV16 | TUBE D-6 L.435 | TUYAU D-6 L.435 | ROHR D-6 L.435 |
| 5 | 52003932 | TUBO D-6 L.165 | TUBE D-6 L.165 | TUYAU D-6 L.165 | ROHR D-6 L.165 |
| 6 | 52000579 | TUBO D-8 L.235 TB28 | TUBE D-8 L.235 | TUYAU D-8 L.235 | ROHR D-8 L.235 |
| 7 | 52000578 | TUBO D-6 L.140 TB27 | TUBE D-6 L.140 | TUYAU D-6 L.140 | ROHR D-6 L.140 |
| 8 | 52004502 | TUBO D-8 L.320 | TUBE D-8 L.320 | TUYAU D-8 L.320 | ROHR D-8 L.320 |
| 9 | 52000719 | TUBO D-4 L.780 TB40 | TUBE D-4 L.780 | TUYAU D-4 L.780 | ROHR D-4 L.780 |
| 10 | 52003934 | TUBO D-10 L.210 | TUBE D-10 L.210 | TUYAU D-10 L.210 | ROHR D-10 L.210 |
| 11 | 52000487 | TUBO D-10 L.205 | TUBE D-10 L.205 | TUYAU D-10 L.205 | ROHR D-10 L.205 |
| 12 | 52000245 | TUBO D-10 L.165 | TUBE D-10 L.165 | TUYAU D-10 L.165 | ROHR D-10 L.165 |
| 13 | 52000488 | TUBO D-10 L.200 | TUBE D-10 L.200 | TUYAU D-10 L.200 | ROHR D-10 L.200 |
| 14 | 52000214 | TUBO D-10 L.195 | TUBE D-10 L.195 | TUYAU D-10 L.195 | ROHR D-10 L.195 |
| 15 | 52000272 | TUBO D-10 L.135 | TUBE D-10 L.135 | TUYAU D-10 L.135 | ROHR D. 10 L.135 |
| 16 | 52000489 | TUBO D-10 L.240 | TUBE D-10 L.240 | TUYAU D-10 L.240 | ROHR D-10 L.240 |
| 17 | 52000490 | TUBO D-10 L.180 | TUBE D-10 L.180 | TUYAU D-10 L.180 | ROHR D-10 L.180 |
| 18 | 23294001 | STROZZATURA RICIRCOLO GR CTS D 2.5 | CTS UNIT D 2.5 RECIRC. NECK | ETRANGLEMENT RECYCLAGE GR.D.2.5 | ENGSTELLE UMWALZUNG D. 2.5 |
| 18 | 23294003 | STROZZATURA RICIRCOLO GR CTS D 4 | CTS UNIT D 4 RECIRC. NECK | ETRANGLEMENT RECYCLAGE GR.D.4 | ENGSTELLE UMWALZUNG D. 4 |
| 19 | 25707 | RACCORDO 1/8x1/4 | CONNECTOR 1/8x1/4 | RACCORD 1/8x1/4 | ANSCHLUSS 1/8x1/4 |
| 20 | 4723229103 | RACCORDO 1/8-1/8 | CONNECTOR 1/8-1/8 | RACCORD 1/8-1/8 | ANSCHLUSS 1/8-1/8 |
| 21 | 4618162005 | ELETTROVALVOLA AEA 220-240V 50-60Hz VDE | SOL.VALVE WATER REFILL 220/240 50/60HZ | ELECTROVANNE REA 220/240V 50/60Hz VDE/ | ELEKTROVENTIL AWZ 230/250 V 50/60 Hz |
| 22 | 52002088 | TUBO D-6 L.45 | TUBE D-6 L.45 | TUYAU D-6 L.45 | ROHR D-6 L.45 |
| 23 | 52000326 | TUBO D-6 L.250 | TUBE D-6 L.250 | TUYAU D-6 L.250 | ROHR D. 6 L.250 |
| 24 | 52000233 | TUBO D-6 L.230 | TUBE D-6 L.230 | TUYAU D-6 L.230 | ROHR D-6 L.230 |
| 25 | 52004504 | TUBO D-8 L.550 | TUBE D-8 L.550 | TUYAU D-8 L.550 | ROHR D-8 L.550 |
| 26 | 52004510 | TUBO D-8 L.65 | TUBE D-8 L.65 | TUYAU D-8 L.65 | ROHR D-8 L.65 |
| 27 | 15452144 | TUBO SILICONE D-7x11 L.500 | TUBE SILICONE D-7x11 L.500 | TUYAU SILICONE D-7x11 L.500 | SILIKONROHR D7x11 L.500 |
| 28 | 43067 | RACCORDO "L" 3/8 GASx3/8 GAS L.30 | 3/8 GAS X 3/8 GAS L FITTING L.30 | RACCORD L 3/8 GAZx3/8 GAZ L.30 | ANSCHLUSS L 3/8 GAS x 3/8 GAS L. 30 |
| 29 | 25356 | CONTRODADO OTTONE 3/8 | BRASS LOCK NUT 3/8 | CONTRE-ECROU LAITON 3/8 | MESSING-GEGENMUTTER 3/8 |
| 30 | 25651 | RONDELLA OTTONE 3/8 | BRASS WASHER 3/8 | RONDELLE LAITON 3/8 | MESSINGSCHIEBE 3/8 |
| 31 | 15422017 | RACCORDO "T" POLIPROPILENE D-10 | "T" POLIPROPILENE FITTING | RACCORD "T" POLIPROPILENE | ANSCHLUSS "T" POLIPROPILENE |
| 32 | 52001590 | TUBO D-6 L.28 | TUBE D-6 L.28 | TUYAU D-6 L.28 | ROHR D-6 L.28 |
| 33 | 4620354001 | VALVOLA CHIUSURA L.40 | PRESSURE RELEASE TAP BULK UNIT L.40 | CLAPET FERMETURE AUT.ARRIVEE EAU | ABSPERRVENTIL x AUT.WASSERZUFUHR L.40 |
| 34 | 12153 | GUARNIZIONE RAME 1/4 17x13.3x1.5 | GASKET 1/4 17x13.3x1.5 COPPER | JOINT CUIVRE 1/4 17x13.3x1.5 | KUPFERDICHTUNG 1/4 17x13.3x1.5 |
| 35 | 23228025 | RACC.DRITTO 1/4F +PORTAGOMMA D-8 OT/Ni | HOSE CONNECTION 1/4F D-8 | PORTE-CAOUTCHOUC 1/4F D-8 | GUMMIHALTER 1/4F D-8 |
| 36 | 15056002 | FASCETTA BIFILARE A MOLLA D.10,4-11,0 | CLAMP D.10,4 - 11,0 | COLLIER D.10,4 - 11,0 | SHELLE D.10,4 - 11,0 |
| 37 | 15452129 | TUBO SILICONE PLATINICO 7x11 L.40 | SILICON TUBE | SILICON TUYAU | SILIKON ROHR |

AEP 3GR CTS '03

| Pos | Cod. | Denominazione - IT - | Denomination - GB - | Denomination - FR - | Denomination - DE - |
|-----|------------|--------------------------------------|-------------------------------------|--|-------------------------------------|
| 38 | 52000617 | TUBO D-6 L.115 TB32 | TUBE D-6 L.115 TB32 | TUYAU D-6 L.115 TB32 | ROHR D-6 L.115 TB32 |
| 39 | 4625707004 | RACCORDO DRITTO 1/8x1/4 | STRAIGHT CONNECTOR 1/8-1/4 | RACCORD 1/8-1/4 | ANSCHLUSS 1/8-1/4 |
| 40 | 52004508 | TUBO D-6 L.191 | TUBE D-6 L.191 | TUYAU D-6 L.191 | ROHR D-6 L.191 |
| 41 | 56136004 | ASSIEME BLOCCO DISTRIBUZ.2-3-4GR | DISTRIBUTION BLOCK 2-3-4GR | BLOC DISTRIBUTION 2-3-4GR | BLOCK VERTEILER 2-3-4GR |
| 42 | 25732100 | RACCORDO 3/8Mx3/8F + SEDE FILTRO | FITTING 3/8Mx3/8F | RACCORD 3/8Mx3/8F | ANSCHLUSS 3/8Mx3/8F |
| 43 | 15452136 | TUBO SILICONE D-7x11 L.300 | TUBE SILICONE D-7x11 L.300 | TUYAU SILICONE D-7x11 L.300 | SILIKONROHR D7x11 L.300 |
| 44 | 10254 | FILTRO ACCIAIO 160-200 MESH | STEEL FILTER 160-200 MESH | FILTRE EN ACIER 160-200 MESH | STAHLFILTER 160-200 MESH |
| 45 | 12312 | GUARNIZIONE OR FILTRO AEA 10x2 | O RING FOR WATER REFILL FILTER 10x2 | JOINT OR FILTRE AUT.REM.EAU 10X2 | OR DICHTUNG FUR WASSERFULLUNGFILTER |
| 46 | 15056003 | FASCETTA BIFILARE A MOLLA D.11-11.6 | SPRING CLAMP BI FILAR D11,00-11.6 | COLLIER BIFILAIRE RESSORT D.11,00-11.6 | SHELLE D.11-11,6 |
| 47 | 52000851 | TUBO D-8 L.45 | TUBE D-8 L.45 | TUYAU D-8 L.45 | ROHR D-8 L.45 |
| 48 | 20361 | VALVOLA S.C.N.R. REGOLABILE | ADJUSTABLE S.C.N.R. VALVE | SOUPAPE S.C.N.R. REGLABLE | EINSTELLBARES VENTIL S.N.C.R. |
| 49 | 15502002 | PARATIA ROMPIGETTO VASCHETTA SCARICO | BULKHEAD | CLOISON | SCHOTT |
| 50 | 52000876 | TUBO D-8 L.300 TB50 | TUBE D-8 L.300 | TUYAU D-8 L.300 | ROHR D-8 L.300 |
| 51 | 4652003057 | TUBO D-2 L.1000 | TUBE D-2 L.1000 | TUYAU D-2 L.1000 | ROHR D-2 L.1000 |
| 52 | 15502003 | VASCHETTA SCARICO BACINELLA | DRAIN PAN | DRAIN DE LA BAIGNOIRE | BADEWANNEABLAUF |

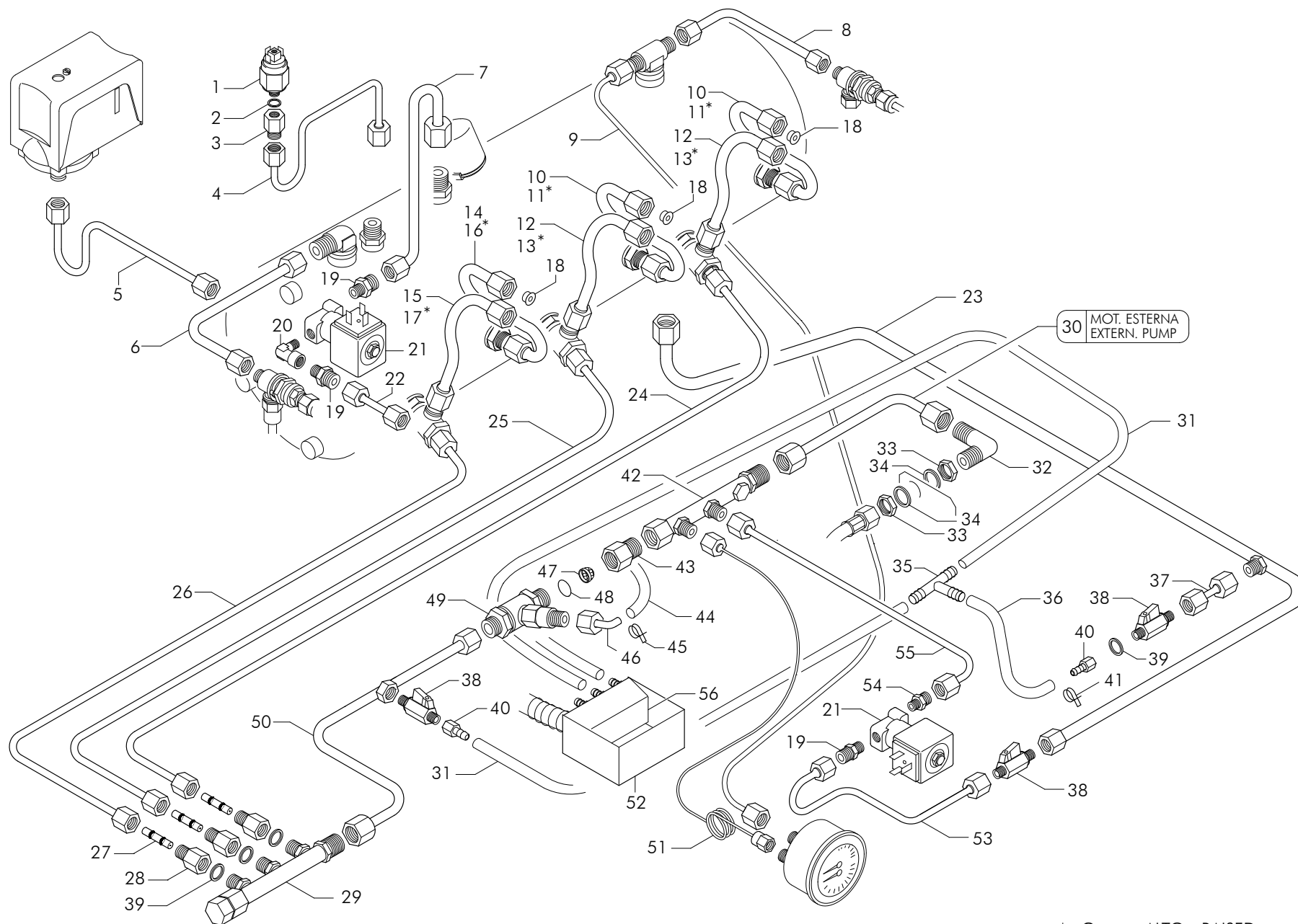


AEP 2GR CTS '05

| Pos | Cod. | Denominazione - IT - | Denomination - GB - | Denomination - FR - | Denomination - DE - |
|-----|------------|---|--|--|---------------------------------------|
| 1 | 20158 | PRESSOSTATO N.C. 1/8 1-5 OT | PRESSURE SWITCH N.C. 1/8 1-5 OT | PRESSOSTAT N.C. 1/8 1-5 OT | DRUCKWACHTER N.C. 1/8 1-5 OT |
| 2 | 12151 | GUARNIZIONE RAME 1/8 13x10.2x1.5 | COPPER GASKET | JOINT CUIVRE | KUPFERDICHTUNG |
| 3 | 25743001 | RIDUZIONE 1/4Mx1/8F L.20 | REDUCTION 1/4Fx1/8M L.20 | REDUCTION 1/4Mx1/8F L.20 | REDUKTION 1/4Mx1/8F L.20 |
| 4 | 52004514 | TUBO D-6 L.315 | TUBE D-6 L.315 | TUYAU D-6 L.315 | ROHR D-6 L.315 |
| 5 | 52003932 | TUBO D-6 L.165 | TUBE D-6 L.165 | TUYAU D-6 L.165 | ROHR D-6 L.165 |
| 6 | 52000579 | TUBO D-8 L.235 TB28 | TUBE D-8 L.235 | TUYAU D-8 L.235 | ROHR D-8 L.235 |
| 7 | 52000578 | TUBO D-6 L.140 TB27 | TUBE D-6 L.140 | TUYAU D-6 L.140 | ROHR D-6 L.140 |
| 8 | 52000580 | TUBO D-8 L.260 TB29 | TUBE D-8 L.260 | TUYAU D-8 L.260 | ROHR D-8 L.260 |
| 9 | 23294001 | STROZZATURA RICIRCOLO GR CTS D 2.5 | CTS UNIT D 2.5 RECIRC. NECK | ETRANGLEMENT RECYCLAGE GR.D.2.5 | ENGSTELLE UMWALZUNG D. 2.5 |
| 9 | 23294003 | STROZZATURA RICIRCOLO GR CTS D 4 | CTS UNIT D 4 RECIRC. NECK | ETRANGLEMENT RECYCLAGE GR.D.4 | ENGSTELLE UMWALZUNG D. 4 |
| 10 | 52003934 | TUBO D-10 L.210 | TUBE D-10 L.210 | TUYAU D-10 L.210 | ROHR D-10 L.210 |
| 11 | 52000487 | TUBO D-10 L.205 | TUBE D-10 L.205 | TUYAU D-10 L.205 | ROHR D-10 L.205 |
| 12 | 52000245 | TUBO D-10 L.165 | TUBE D-10 L.165 | TUYAU D-10 L.165 | ROHR D-10 L.165 |
| 13 | 52000488 | TUBO D-10 L.200 | TUBE D-10 L.200 | TUYAU D-10 L.200 | ROHR D-10 L.200 |
| 14 | 52000214 | TUBO D-10 L.195 | TUBE D-10 L.195 | TUYAU D-10 L.195 | ROHR D-10 L.195 |
| 15 | 52000489 | TUBO D-10 L.240 | TUBE D-10 L.240 | TUYAU D-10 L.240 | ROHR D-10 L.240 |
| 16 | 52000272 | TUBO D-10 L.135 | TUBE D-10 L.135 | TUYAU D-10 L.135 | ROHR D. 10 L.135 |
| 17 | 52000490 | TUBO D-10 L.180 | TUBE D-10 L.180 | TUYAU D-10 L.180 | ROHR D-10 L.180 |
| 18 | 25707 | RACCORDO 1/8x1/4 | CONNECTOR 1/8x1/4 | RACCORD 1/8x1/4 | ANSCHLUSS 1/8x1/4 |
| 19 | 4618162005 | ELETTROVALVOLA AEA 220-240V 50-60Hz VDE | SOL.VALVE WATER REFILL 220/240 50/60HZ | ELECTROVANNE REA 220/240V 50/60Hz VDE/ | ELEKTROVENTIL AWZ 230/250 V 50/60 Hz |
| 20 | 4723229103 | RACCORDO 1/8-1/8 | CONNECTOR 1/8-1/8 | RACCORD 1/8-1/8 | ANSCHLUSS 1/8-1/8 |
| 21 | 52002088 | TUBO D-6 L.45 | TUBE D-6 L.45 | TUYAU D-6 L.45 | ROHR D-6 L.45 |
| 22 | 52000715 | TUBO D-4 L.670 TB36 | TUBE D-4 L.670 | TUYAU D-4 L.670 | ROHR D-4 L.670 |
| 23 | 52004504 | TUBO D-8 L.550 | TUBE D-8 L.550 | TUYAU D-8 L.550 | ROHR D-8 L.550 |
| 24 | 15452159 | TUBO SILICONE D-7x11 L.380 | TUBE SILICONE D-7x11 L.300 | TUYAU SILICONE D-7x11 L.300 | SILIKONROHR D7x11 L.300 |
| 25 | 52004510 | TUBO D-8 L.65 | TUBE D-8 L.65 | TUYAU D-8 L.65 | ROHR D-8 L.65 |
| 26 | 43067 | RACCORDO "L" 3/8 GASx3/8 GAS L.30 | 3/8 GAS X 3/8 GAS L FITTING L.30 | RACCORD L 3/8 GAZx3/8 GAZ L.30 | ANSCHLUSS L 3/8 GAS x 3/8 GAS L. 30 |
| 27 | 25356 | CONTRODADO OTTONE 3/8 | BRASS LOCK NUT 3/8 | CONTRE-ECROU LAITON 3/8 | MESSING-GEGENMUTTER 3/8 |
| 28 | 25651 | RONDELLA OTTONE 3/8 | BRASS WASHER 3/8 | RONDELLE LAITON 3/8 | MESSINGSCHIEBE 3/8 |
| 29 | 15422017 | RACCORDO "T" POLIPROPILENE D-10 | "T" POLIPROPILENE FITTING | RACCORD "T" POLIPROPILENE | ANSCHLUSS "T" POLIPROPILENE |
| 30 | 15452129 | TUBO SILICONE PLATINICO 7x11 L.40 | SILICON TUBE | SILICON TUYAU | SILIKON ROHR |
| 31 | 52001590 | TUBO D-6 L.28 | TUBE D-6 L.28 | TUYAU D-6 L.28 | ROHR D-6 L.28 |
| 32 | 4620354001 | VALVOLA CHIUSURA L.40 | PRESSURE RELEASE TAP BULK UNIT L.40 | CLAPET FERMETURE AUT.ARRIVEE EAU | ABSPERRVENTIL x AUT.WASSERZUFUHR L.40 |
| 33 | 12153 | GUARNIZIONE RAME 1/4 17x13.3x1.5 | GASKET 1/4 17x13.3x1.5 COPPER | JOINT CUIVRE 1/4 17x13.3x1.5 | KUPFERDICHTUNG 1/4 17x13.3x1.5 |
| 34 | 23228025 | RACC.DRITTO 1/4F +PORTAGOMMA D-8 OT/Ni | HOSE CONNECTION 1/4F D-8 | PORTE-CAOUTCHOUC 1/4F D-8 | GUMMIHALTER 1/4F D-8 |
| 35 | 15056002 | FASCETTA BIFILARE A MOLLA D.10,4-11,0 | CLAMP D.10,4 - 11,0 | COLLIER D.10,4 - 11,0 | SHELLE D.10,4 - 11,0 |
| 36 | 52004508 | TUBO D-6 L.191 | TUBE D-6 L.191 | TUYAU D-6 L.191 | ROHR D-6 L.191 |
| 37 | 4625707004 | RACCORDO DRITTO 1/8x1/4 | STRAIGHT CONNECTOR 1/8-1/4 | RACCORD 1/8-1/4 | ANSCHLUSS 1/8-1/4 |

AEP 2GR CTS '05

| Pos | Cod. | Denominazione - IT - | Denomination - GB - | Denomination - FR - | Denomination - DE - |
|-----|------------|---------------------------------------|-------------------------------------|--|-------------------------------------|
| 38 | 52000617 | TUBO D-6 L.115 TB32 | TUBE D-6 L.115 TB32 | TUYAU D-6 L.115 TB32 | ROHR D-6 L.115 TB32 |
| 39 | 56136004 | ASSIEME BLOCCO DISTRIBUZ.2-3-4GR | DISTRIBUTION BLOCK 2-3-4GR | BLOC DISTRIBUTION 2-3-4GR | BLOCK VERTEILER 2-3-4GR |
| 40 | 25732100 | RACCORDO 3/8Mx3/8F + SEDE FILTRO | FITTING 3/8Mx3/8F | RACCORD 3/8Mx3/8F | ANSCHLUSS 3/8Mx3/8F |
| 41 | 15452136 | TUBO SILICONE D-7x11 L.300 | TUBE SILICONE D-7x11 L.300 | TUYAU SILICONE D-7x11 L.300 | SILIKONROHR D7x11 L.300 |
| 42 | 15056003 | FASCETTA BIFILARE A MOLLA D.11-11.6 | SPRING CLAMP BI FILAR D11,00-11.6 | COLLIER BIFILAIRE RESSORT D.11,00-11.6 | SCHELLE D.11-11,6 |
| 43 | 52000851 | TUBO D-8 L.45 | TUBE D-8 L.45 | TUYAU D-8 L.45 | ROHR D-8 L.45 |
| 44 | 10254 | FILTRO ACCIAIO 160-200 MESH | STEEL FILTER 160-200 MESH | FILTRE EN ACIER 160-200 MESH | STAHLFILTER 160-200 MESH |
| 45 | 12312 | GUARNIZIONE OR FILTRO AEA 10x2 | O RING FOR WATER REFILL FILTER 10x2 | JOINT OR FILTRE AUT.REM.EAU 10X2 | OR DICHTUNG FUR WASSERFULLUNGFILTER |
| 46 | 20361 | VALVOLA S.C.N.R. REGOLABILE | ADJUSTABLE S.C.N.R. VALVE | SOUPAPE S.C.N.R. REGLABLE | EINSTELLBARES VENTIL S.N.C.R. |
| 47 | 15502002 | PARATIA ROMPIGETTO VASCHETTA SCARICO | BULKHEAD | CLOISON | SCHOTT |
| 48 | 15502003 | VASCHETTA SCARICO BACINELLA | DRAIN PAN | DRAIN DE LA BAIGNOIRE | BADEWANNEABLAUF |
| 49 | 4652003055 | TUBO D-2 L.500 | TUBE D-2 L.500 | TUYAU D-2 L.500 | ROHR D-2 L.500 |
| 50 | 52000869 | TUBO D-6 L.250 TB43 | TUBE D-6 L.250 | TUYAU D-6 L.250 | ROHR D-6 L.250 |
| 51 | 52000870 | TUBO D-6 L.270 TB44 | TUBE D-6 L.270 | TUYAU D-6 L.270 | ROHR D-6 L.270 |
| 52 | 12100 | GUARNIZIONE CU/ALIM 1/4 18.7x13.2x2.5 | CU GASKET 1/4 18.7X13.2X2.5 | JOINT CU 1/4 18.7X13.2X2.5 | CU DICHTUNG 1/4 18.7x13.2x2.5 |
| 53 | 25789321 | GICLEUR D.0,5 INOX | GICLEUR 0,5 | GICLEUR D-0,5 | DUSE D-0,5 |
| 54 | 25751050 | RACCORDO 1/4-1/4 | FITTING 1/4-1/4 | RACCORD 1/4-1/4 | ANSCHLUSS 1/4-1/4 |
| 55 | 56136005 | ASSIEME BLOCCO DISTRIBUZ.2-4GR | DISTRIBUTION BLOCK 2-4GR | BLOC DISTRIBUTION 2-4GR | BLOCK VERTEILER 2-4GR |
| 56 | 52000872 | TUBO D-8 L.145 TB46 | TUBE D-8 L.145 | TUYAU D-8 L.145 | ROHR D-8 L.145 |



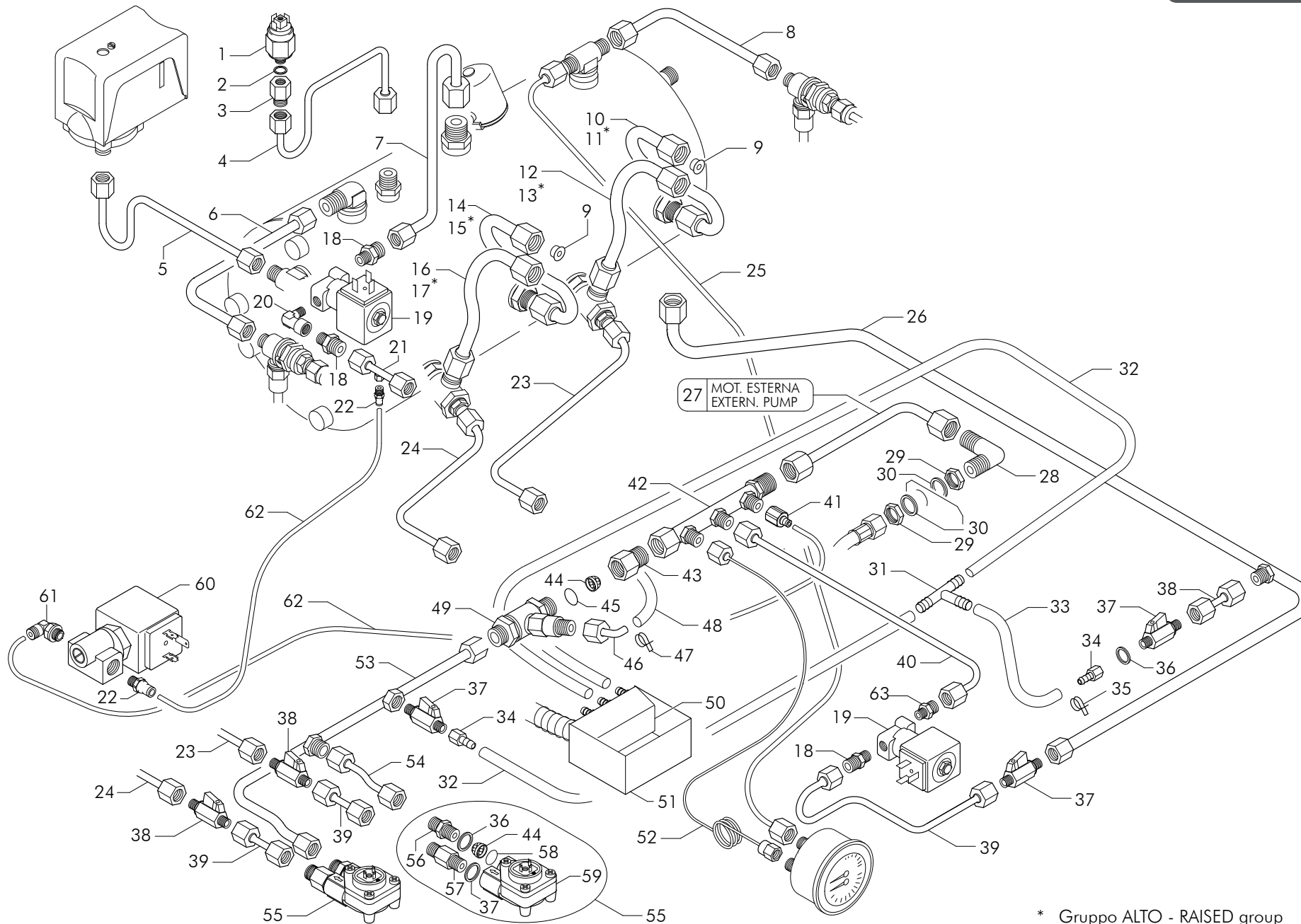
* Gruppo ALTO - RAISED group

AEP 3GR CTS '05

| Pos | Cod. | Denominazione - IT - | Denomination - GB - | Denomination - FR - | Denomination - DE - |
|-----|------------|---|--|---------------------------------------|--|
| 1 | 20158 | PRESSOSTATO N.C. 1/8 1-5 OT | PRESSURE SWITCH N.C. 1/8 1-5 OT | PRESSOSTAT N.C. 1/8 1-5 OT | DRUCKWACHTER N.C. 1/8 1-5 OT |
| 2 | 12151 | GUARNIZIONE RAME 1/8 13x10.2x1.5 | COPPER GASKET | JOINT CUIVRE | KUPFERDICHTUNG |
| 3 | 25743001 | RIDUZIONE 1/4Mx1/8F L.20 | REDUCTION 1/4Fx1/8M L.20 | REDUCTION 1/4Mx1/8F L.20 | REDUKTION 1/4Mx1/8F L.20 |
| 4 | 52004515 | TBS.D-6 L.435 SV16 | TUBE D-6 L.435 | TUYAU D-6 L.435 | ROHR D-6 L.435 |
| 5 | 52003932 | TUBO D-6 L.165 | TUBE D-6 L.165 | TUYAU D-6 L.165 | ROHR D-6 L.165 |
| 6 | 52000579 | TUBO D-8 L.235 TB28 | TUBE D-8 L.235 | TUYAU D-8 L.235 | ROHR D-8 L.235 |
| 7 | 52000578 | TUBO D-6 L.140 TB27 | TUBE D-6 L.140 | TUYAU D-6 L.140 | ROHR D-6 L.140 |
| 8 | 52004502 | TUBO D-8 L.320 | TUBE D-8 L.320 | TUYAU D-8 L.320 | ROHR D-8 L.320 |
| 9 | 52000719 | TUBO D-4 L.780 TB40 | TUBE D-4 L.780 | TUYAU D-4 L.780 | ROHR D-4 L.780 |
| 10 | 52003934 | TUBO D-10 L.210 | TUBE D-10 L.210 | TUYAU D-10 L.210 | ROHR D-10 L.210 |
| 11 | 52000487 | TUBO D-10 L.205 | TUBE D-10 L.205 | TUYAU D-10 L.205 | ROHR D-10 L.205 |
| 12 | 52000245 | TUBO D-10 L.165 | TUBE D-10 L.165 | TUYAU D-10 L.165 | ROHR D-10 L.165 |
| 13 | 52000488 | TUBO D-10 L.200 | TUBE D-10 L.200 | TUYAU D-10 L.200 | ROHR D-10 L.200 |
| 14 | 52000214 | TUBO D-10 L.195 | TUBE D-10 L.195 | TUYAU D-10 L.195 | ROHR D-10 L.195 |
| 15 | 52000272 | TUBO D-10 L.135 | TUBE D-10 L.135 | TUYAU D-10 L.135 | ROHR D. 10 L.135 |
| 16 | 52000489 | TUBO D-10 L.240 | TUBE D-10 L.240 | TUYAU D-10 L.240 | ROHR D-10 L.240 |
| 17 | 52000490 | TUBO D-10 L.180 | TUBE D-10 L.180 | TUYAU D-10 L.180 | ROHR D-10 L.180 |
| 18 | 23294001 | STROZZATURA RICIRCOLO GR CTS D 2.5 | CTS UNIT D 2.5 RECIRC. NECK | ETRANGLEMENT RECYCLAGE GR.D.2.5 | ENGSTELLE UMWALZUNG D. 2.5 |
| 18 | 23294003 | STROZZATURA RICIRCOLO GR CTS D 4 | CTS UNIT D 4 RECIRC. NECK | ETRANGLEMENT RECYCLAGE GR.D.4 | ENGSTELLE UMWALZUNG D. 4 |
| 19 | 25707 | RACCORDO 1/8x1/4 | CONNECTOR 1/8x1/4 | RACCORD 1/8x1/4 | ANSCHLUSS 1/8x1/4 |
| 20 | 4723229103 | RACCORDO 1/8-1/8 | CONNECTOR 1/8-1/8 | RACCORD 1/8-1/8 | ANSCHLUSS 1/8-1/8 |
| 21 | 4618162005 | ELETTROVALVOLA AEA 220-240V 50-60Hz VDE | SOL.VALVE WATER REFILL 220/240 50/60HZ | ELECTROVANNE REA 220/240V 50/60Hz VDE | ELEKTROVENTIL AWZ 230/250 V 50/60 HzVDE/ |
| 22 | 52002088 | TUBO D-6 L.45 | TUBE D-6 L.45 | TUYAU D-6 L.45 | ROHR D-6 L.45 |
| 23 | 52004504 | TUBO D-8 L.550 | TUBE D-8 L.550 | TUYAU D-8 L.550 | ROHR D-8 L.550 |
| 24 | 52000874 | TUBO D-6 L.450 TB48 | TUBE D-6 L.450 | TUYAU D-6 L.450 | ROHR D-6 L.450 |
| 25 | 52000870 | TUBO D-6 L.270 TB44 | TUBE D-6 L.270 | TUYAU D-6 L.270 | ROHR D-6 L.270 |
| 26 | 52000869 | TUBO D-6 L.250 TB43 | TUBE D-6 L.250 | TUYAU D-6 L.250 | ROHR D-6 L.250 |
| 27 | 25789321 | GICLEUR D.0,5 INOX | GIGLEUR 0,5 | GICLEUR D-0,5 | DUSE D-0,5 |
| 28 | 25751050 | RACCORDO 1/4-1/4 | FITTING 1/4-1/4 | RACCORD 1/4-1/4 | ANSCHLUSS 1/4-1/4 |
| 29 | 56136005 | ASSIEME BLOCCO DISTRIBUZ.2-4GR | DISTRIBUTION BLOCK 2-4GR | BLOC DISTRIBUTION 2-4GR | BLOCK VERTEILER 2-4GR |
| 30 | 52004510 | TUBO D-8 L.65 | TUBE D-8 L.65 | TUYAU D-8 L.65 | ROHR D-8 L.65 |
| 31 | 15452144 | TUBO SILICONE D-7x11 L.500 | TUBE SILICONE D-7x11 L.500 | TUYAU SILICONE D-7x11 L.500 | SILIKONROHR D7x11 L.500 |
| 32 | 43067 | RACCORDO "L" 3/8 GASx3/8 GAS L.30 | 3/8 GAS X 3/8 GAS L FITTING L.30 | RACCORD L 3/8 GAZx3/8 GAZ L.30 | ANSCHLUSS L 3/8 GAS x 3/8 GAS L. 30 |
| 33 | 25356 | CONTRODADO OTTONE 3/8 | BRASS LOCK NUT 3/8 | CONTRE-ECROU LAITON 3/8 | MESSING-GEGENMUTTER 3/8 |
| 34 | 25651 | RONDELLA OTTONE 3/8 | BRASS WASHER 3/8 | RONDELLE LAITON 3/8 | MESSINGSCHIEBE 3/8 |
| 35 | 15422017 | RACCORDO "T" POLIPROPILENE D-10 | "T" POLIPROPILENE FITTING | RACCORD "T" POLIPROPILENE | ANSCHLUSS "T" POLIPROPILENE |
| 36 | 15452129 | TUBO SILICONE PLATINICO 7x11 L.40 | SILICON TUBE | SILICON TUYAU | SILIKON ROHR |
| 37 | 52001590 | TUBO D-6 L.28 | TUBE D-6 L.28 | TUYAU D-6 L.28 | ROHR D-6 L.28 |

AEP 3GR CTS '05

| Pos | Cod. | Denominazione - IT - | Denomination - GB - | Denomination - FR - | Denomination - DE - |
|-----|------------|--|-------------------------------------|--|---------------------------------------|
| 38 | 4620354001 | VALVOLA CHIUSURA L.40 | PRESSURE RELEASE TAP BULK UNIT L.40 | CLAPET FERMETURE AUT.ARRIVEE EAU | ABSPERRVENTIL x AUT.WASSERZUFUHR L.40 |
| 39 | 12153 | GUARNIZIONE RAME 1/4 17x13.3x1.5 | GASKET 1/4 17x13.3x1.5 COPPER | JOINT CUIVRE 1/4 17x13.3x1.5 | KUPFERDICHTUNG 1/4 17x13.3x1.5 |
| 40 | 23228025 | RACC.DRITTO 1/4F +PORTAGOMMA D-8 OT/Ni | HOSE CONNECTION 1/4F D-8 | PORTE-CAOUTCHOUC 1/4F D-8 | GUMMIHALTER 1/4F D-8 |
| 41 | 15056002 | FASCETTA BIFILARE A MOLLA D.10,4-11,0 | CLAMP D.10,4 - 11,0 | COLLIER D.10,4 - 11,0 | SHELLE D.10,4 - 11,0 |
| 42 | 56136004 | ASSIEME BLOCCO DISTRIBUZ.2-3-4GR | DISTRIBUTION BLOCK 2-3-4GR | BLOC DISTRIBUTION 2-3-4GR | BLOCK VERTEILER 2-3-4GR |
| 43 | 25732100 | RACCORDO 3/8Mx3/8F + SEDE FILTRO | FITTING 3/8Mx3/8F | RACCORD 3/8Mx3/8F | ANSCHLUSS 3/8Mx3/8F |
| 44 | 15452136 | TUBO SILICONE D-7x11 L.300 | TUBE SILICONE D-7x11 L.300 | TUYAU SILICONE D-7x11 L.300 | SILIKONROHR D7x11 L.300 |
| 45 | 15056003 | FASCETTA BIFILARE A MOLLA D.11-11.6 | SPRING CLAMP BI FILAR D11,00-11.6 | COLLIER BIFILAIRE RESSORT D.11,00-11.6 | SHELLE D.11-11,6 |
| 46 | 52000851 | TUBO D-8 L.45 | TUBE D-8 L.45 | TUYAU D-8 L.45 | ROHR D-8 L.45 |
| 47 | 10254 | FILTRO ACCIAIO 160-200 MESH | STEEL FILTER 160-200 MESH | FILTRE EN ACIER 160-200 MESH | STAHLFILTER 160-200 MESH |
| 48 | 12312 | GUARNIZIONE OR FILTRO AEA 10x2 | O RING FOR WATER REFILL FILTER 10x2 | JOINT OR FILTRE AUT.REM.EAU 10X2 | OR DICHTUNG FUR WASSERFULLUNGFILTER |
| 49 | 20361 | VALVOLA S.C.N.R. REGOLABILE | ADJUSTABLE S.C.N.R. VALVE | SOUPAPE S.C.N.R. REGLABLE | EINSTELLBARES VENTIL S.N.C.R. |
| 50 | 52000875 | TUBO D-8 L.395 TB49 | TUBE D-8 L.395 | TUYAU D-8 L.395 | ROHR D-8 L.395 |
| 51 | 4652003057 | TUBO D-2 L.1000 | TUBE D-2 L.1000 | TUYAU D-2 L.1000 | ROHR D-2 L.1000 |
| 52 | 15502003 | VASCHETTA SCARICO BACINELLA | DRAIN PAN | DRAIN DE LA BAIGNOIRE | BADEWANNEABLAUF |
| 53 | 52004508 | TUBO D-6 L.191 | TUBE D-6 L.191 | TUYAU D-6 L.191 | ROHR D-6 L.191 |
| 54 | 4625707004 | RACCORDO DRITTO 1/8x1/4 | STRAIGHT CONNECTOR 1/8-1/4 | RACCORD 1/8-1/4 | ANSCHLUSS 1/8-1/4 |
| 55 | 52000617 | TUBO D-6 L.115 TB32 | TUBE D-6 L.115 TB32 | TUYAU D-6 L.115 TB32 | ROHR D-6 L.115 TB32 |
| 56 | 15502002 | PARATIA ROMPIGETTO VASCHETTA SCARICO | BULKHEAD | CLOISON | SCHOTT |



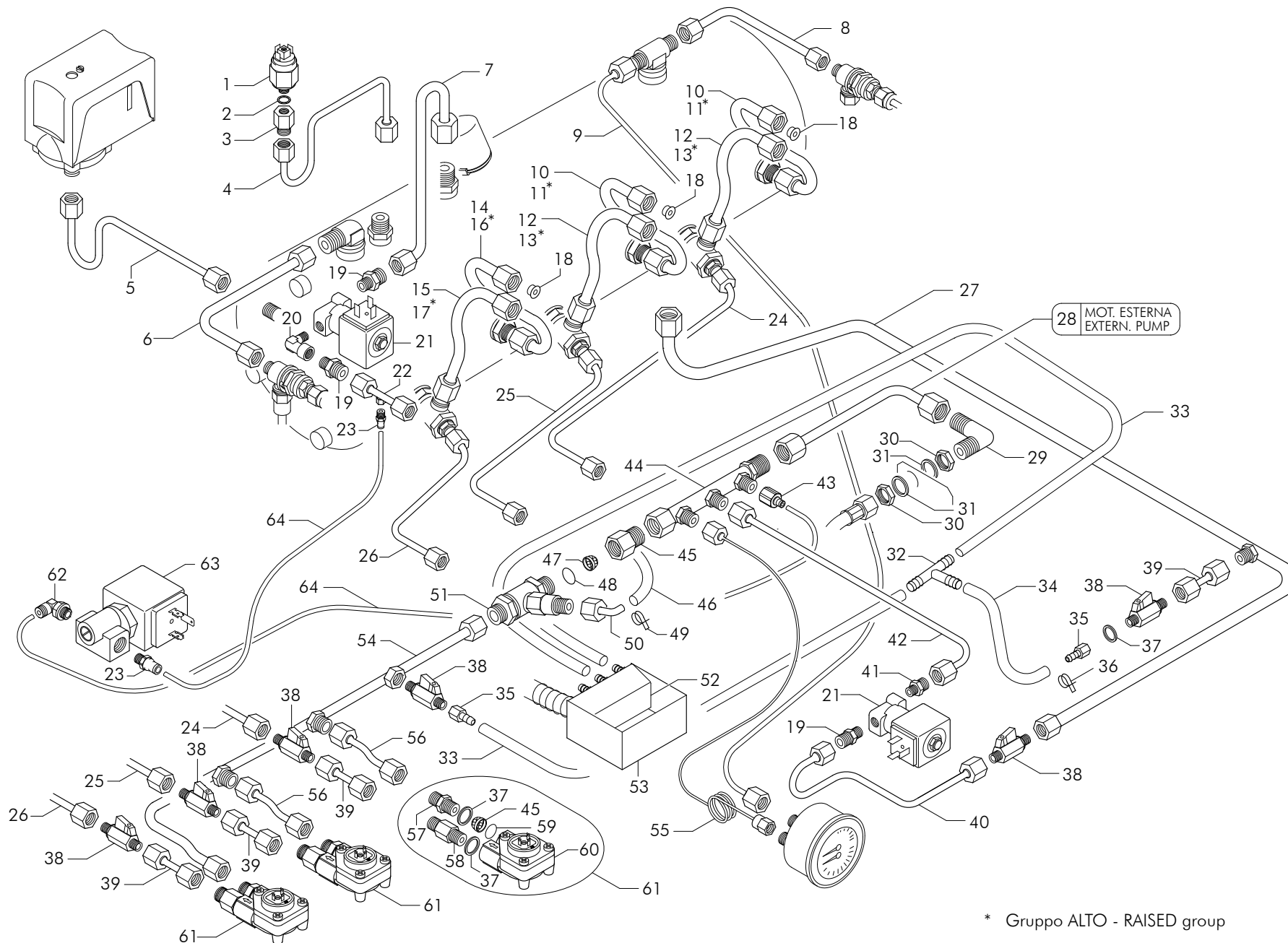
* Gruppo ALTO - RAISED group

SAE 2GR

| Pos | Cod. | Denominazione - IT - | Denomination - GB - | Denomination - FR - | Denomination - DE - |
|-----|------------|---|--|--|---------------------------------------|
| 1 | 20158 | PRESSOSTATO N.C. 1/8 1-5 OT | PRESSURE SWITCH N.C. 1/8 1-5 OT | PRESSOSTAT N.C. 1/8 1-5 OT | DRUCKWACHTER N.C. 1/8 1-5 OT |
| 2 | 12151 | GUARNIZIONE RAME 1/8 13x10.2x1.5 | COPPER GASKET | JOINT CUIVRE | KUPFERDICHTUNG |
| 3 | 25743001 | RIDUZIONE 1/4Mx1/8F L.20 | REDUCTION 1/4Fx1/8M L.20 | REDUCTION 1/4Mx1/8F L.20 | REDUKTION 1/4Mx1/8F L.20 |
| 4 | 52004514 | TUBO D-6 L.315 | TUBE D-6 L.315 | TUYAU D-6 L.315 | ROHR D-6 L.315 |
| 5 | 52003932 | TUBO D-6 L.165 | TUBE D-6 L.165 | TUYAU D-6 L.165 | ROHR D-6 L.165 |
| 6 | 52000579 | TUBO D-8 L.235 TB28 | TUBE D-8 L.235 | TUYAU D-8 L.235 | ROHR D-8 L.235 |
| 7 | 52000578 | TUBO D-6 L.140 TB27 | TUBE D-6 L.140 | TUYAU D-6 L.140 | ROHR D-6 L.140 |
| 8 | 52000580 | TUBO D-8 L.260 TB29 | TUBE D-8 L.260 | TUYAU D-8 L.260 | ROHR D-8 L.260 |
| 9 | 23294001 | STROZZATURA RICIRCOLO GR CTS D 2.5 | CTS UNIT D 2.5 RECIRC. NECK | ETRANGLEMENT RECYCLAGE GR.D.2.5 | ENGSTELLE UMWALZUNG D. 2.5 |
| 9 | 23294003 | STROZZATURA RICIRCOLO GR CTS D 4 | CTS UNIT D 4 RECIRC. NECK | ETRANGLEMENT RECYCLAGE GR.D.4 | ENGSTELLE UMWALZUNG D. 4 |
| 10 | 52003934 | TUBO D-10 L.210 | TUBE D-10 L.210 | TUYAU D-10 L.210 | ROHR D-10 L.210 |
| 11 | 52000487 | TUBO D-10 L.205 | TUBE D-10 L.205 | TUYAU D-10 L.205 | ROHR D-10 L.205 |
| 12 | 52000245 | TUBO D-10 L.165 | TUBE D-10 L.165 | TUYAU D-10 L.165 | ROHR D-10 L.165 |
| 13 | 52000488 | TUBO D-10 L.200 | TUBE D-10 L.200 | TUYAU D-10 L.200 | ROHR D-10 L.200 |
| 14 | 52000214 | TUBO D-10 L.195 | TUBE D-10 L.195 | TUYAU D-10 L.195 | ROHR D-10 L.195 |
| 15 | 52000489 | TUBO D-10 L.240 | TUBE D-10 L.240 | TUYAU D-10 L.240 | ROHR D-10 L.240 |
| 16 | 52000272 | TUBO D-10 L.135 | TUBE D-10 L.135 | TUYAU D-10 L.135 | ROHR D. 10 L.135 |
| 17 | 52000490 | TUBO D-10 L.180 | TUBE D-10 L.180 | TUYAU D-10 L.180 | ROHR D-10 L.180 |
| 18 | 25707 | RACCORDO 1/8x1/4 | CONNECTOR 1/8x1/4 | RACCORD 1/8x1/4 | ANSCHLUSS 1/8x1/4 |
| 19 | 4618162005 | ELETTROVALVOLA AEA 220-240V 50-60Hz VDE | SOL.VALVE WATER REFILL 220/240 50/60HZ | ELECTROVANNE REA 220/240V 50/60Hz VDE/ | ELEKTROVENTIL AWZ 230/250 V 50/60 Hz |
| 20 | 4723229103 | RACCORDO 1/8-1/8 | CONNECTOR 1/8-1/8 | RACCORD 1/8-1/8 | ANSCHLUSS 1/8-1/8 |
| 21 | 52002088 | TUBO D-6 L.45 | TUBE D-6 L.45 | TUYAU D-6 L.45 | ROHR D-6 L.45 |
| 22 | 23229013 | RACCORDO RAPIDO DRITTO 1/8M CIL+OR D-4 | QUICK COUPLING 1/8M D-4 | RACCORD RAPIDE 1/8M D-4 | STECKVERBINDUNG 1/8M D-4 |
| 23 | 52000714 | TUBO D-6 L.385 TB35 | TUBE D-6 L.385 | TUYAU D-6 L.385 | ROHR D-6 L.385 |
| 24 | 52000619 | TUBO D-6 L.290 TB34 | TUBE D-6 L.290 | TUYAU D-6 L.290 | ROHR D-6 L.290 |
| 25 | 52000715 | TUBO D-4 L.670 TB36 | TUBE D-4 L.670 | TUYAU D-4 L.670 | ROHR D-4 L.670 |
| 26 | 52004504 | TUBO D-8 L.550 | TUBE D-8 L.550 | TUYAU D-8 L.550 | ROHR D-8 L.550 |
| 27 | 52004510 | TUBO D-8 L.65 | TUBE D-8 L.65 | TUYAU D-8 L.65 | ROHR D-8 L.65 |
| 28 | 43067 | RACCORDO "L" 3/8 GASx3/8 GAS L.30 | 3/8 GAS X 3/8 GAS L FITTING L.30 | RACCORD L 3/8 GAZx3/8 GAZ L.30 | ANSCHLUSS L 3/8 GAS x 3/8 GAS L. 30 |
| 29 | 25356 | CONTRODADO OTTONE 3/8 | BRASS LOCK NUT 3/8 | CONTRE-ECROU LAITON 3/8 | MESSING-GEGENMUTTER 3/8 |
| 30 | 25651 | RONDELLA OTTONE 3/8 | BRASS WASHER 3/8 | RONDELLE LAITON 3/8 | MESSINGSCHIEBE 3/8 |
| 31 | 15422017 | RACCORDO "T" POLIPROPILENE D-10 | "T" POLIPROPILENE FITTING | RACCORD "T" POLIPROPILENE | ANSCHLUSS "T" POLIPROPILENE |
| 32 | 15452159 | TUBO SILICONE D-7x11 L.380 | TUBE SILICONE D-7x11 L.300 | TUYAU SILICONE D-7x11 L.300 | SILIKONROHR D7x11 L.300 |
| 33 | 15452129 | TUBO SILICONE PLATINICO 7x11 L.40 | SILICON TUBE | SILICON TUYAU | SILIKON ROHR |
| 34 | 23228025 | RACC.DRITTO 1/4F +PORTAGOMMA D-8 OT/Ni | HOSE CONNECTION 1/4F D-8 | PORTE-CAOUTCHOUC 1/4F D-8 | GUMMIHALTER 1/4F D-8 |
| 35 | 15056002 | FASCETTA BIFILARE A MOLLA D.10,4-11,0 | CLAMP D.10,4 - 11,0 | COLLIER D.10,4 - 11,0 | SHELLE D.10,4 - 11,0 |
| 36 | 12153 | GUARNIZIONE RAME 1/4 17x13.3x1.5 | GASKET 1/4 17x13.3x1.5 COPPER | JOINT CUIVRE 1/4 17x13.3x1.5 | KUPFERDICHTUNG 1/4 17x13.3x1.5 |
| 37 | 4620354001 | VALVOLA CHIUSURA L.40 | PRESSURE RELEASE TAP BULK UNIT L.40 | CLAPET FERMETURE AUT.ARRIVEE EAU | ABSPERRVENTIL x AUT.WASSERZUFUHR L.40 |

SAE 2GR

| Pos | Cod. | Denominazione - IT - | Denomination - GB - | Denomination - FR - | Denomination - DE - |
|-----|------------|--|-------------------------------------|--|-------------------------------------|
| 38 | 52001590 | TUBO D-6 L.28 | TUBE D-6 L.28 | TUYAU D-6 L.28 | ROHR D-6 L.28 |
| 39 | 52004508 | TUBO D-6 L.191 | TUBE D-6 L.191 | TUYAU D-6 L.191 | ROHR D-6 L.191 |
| 40 | 52000617 | TUBO D-6 L.115 TB32 | TUBE D-6 L.115 TB32 | TUYAU D-6 L.115 TB32 | ROHR D-6 L.115 TB32 |
| 41 | 23229019 | RACCORDO RAPIDO DRITTO 1/4F D-4 | QUICK COUPLING 1/4F D-4 | RACCORD RAPIDE 1/4F D-4 | STECKVERBINDUNG 1/4F D-4 |
| 42 | 56136004 | ASSIEME BLOCCO DISTRIBUZ.2-3-4GR | DISTRIBUTION BLOCK 2-3-4GR | BLOC DISTRIBUTION 2-3-4GR | BLOCK VERTEILER 2-3-4GR |
| 43 | 25732100 | RACCORDO 3/8Mx3/8F + SEDE FILTRO | FITTING 3/8Mx3/8F | RACCORD 3/8Mx3/8F | ANSCHLUSS 3/8Mx3/8F |
| 44 | 10254 | FILTRO ACCIAIO 160-200 MESH | STEEL FILTER 160-200 MESH | FILTRE EN ACIER 160-200 MESH | STAHLFILTER 160-200 MESH |
| 45 | 12312 | GUARNIZIONE OR FILTRO AEA 10x2 | O RING FOR WATER REFILL FILTER 10x2 | JOINT OR FILTRE AUT.REM.EAU 10X2 | OR DICHTUNG FUR WASSERFULLUNGFILTER |
| 46 | 52000851 | TUBO D-8 L.45 | TUBE D-8 L.45 | TUYAU D-8 L.45 | ROHR D-8 L.45 |
| 47 | 15056003 | FASCETTA BIFILARE A MOLLA D.11-11.6 | SPRING CLAMP BI FILAR D11,00-11.6 | COLLIER BIFILAIRE RESSORT D.11,00-11.6 | SHELLE D.11-11,6 |
| 48 | 15452136 | TUBO SILICONE D-7x11 L.300 | TUBE SILICONE D-7x11 L.300 | TUYAU SILICONE D-7x11 L.300 | SILIKONROHR D7x11 L.300 |
| 49 | 20361 | VALVOLA S.C.N.R. REGOLABILE | ADJUSTABLE S.C.N.R. VALVE | SOUPAPE S.C.N.R. REGLABLE | EINSTELLBARES VENTIL S.N.C.R. |
| 50 | 15502002 | PARATIA ROMPIGETTO VASCHETTA SCARICO | BULKHEAD | CLOISON | SCHOTT |
| 51 | 15502003 | VASCHETTA SCARICO BACINELLA | DRAIN PAN | DRAIN DE LA BAIGNOIRE | BADEWANNEABLAUF |
| 52 | 4652003055 | TUBO D-2 L.500 | TUBE D-2 L.500 | TUYAU D-2 L.500 | ROHR D-2 L.500 |
| 53 | 52000618 | TUBO D-8 L.300 TB33 | TUBE D-8 L.300 | TUYAU D-8 L.300 | ROHR D-8 L.300 |
| 54 | 52000829 | TUBO D-6 L.70 | TUBE D-6 L.70 | TUYAU D-7 L.70 | ROHR D-6 L.70 |
| 55 | 56122000 | ASSIEME DOSATORE | DOSER KIT | KIT DOSEUR | DOSIERER |
| 56 | 25686 | RACCORDO 1/4x1/4 | CONNECTOR 1/4 x 1/4 | RACCORD 1/4 x 1/4 | ANSCHLUSS 1/4x1/4 |
| 57 | 25708 | RACCORDO 1/4x1/4 | 1/4x1/4 FITTING | RACCORD 1/4x1/4 | ANSCHLUSS 1/4x1/4 |
| 58 | 12329 | GUARNIZIONE OR HNBR 7.66xW1.78 | GASKET OR HNBR 7.66xW1.78 | JOINT OR HNBR 7.66x1.78 | OR DICHTUNG HNBR 7.66xW1.78 |
| 59 | 18126 | DOSATORE FLOWMETER | FLOWMETER DOSER | DOSEUR FLOWMETER | DOSIERER FLOWMETER |
| 60 | 4618161701 | ELETTROVALVOLA REGOLAZ.PORTATA 220-240V/50 | SOL.VALVE 220-240V/50-60Hz | ELECTROVANNE 220-240V/50-60Hz | MAGNETVENTIL 220-240V/50-60Hz |
| 61 | 23229111 | RACCORDO RAPIDO -L- 1/8M CIL+OR D-4 | QUICK COUPLING -L- 1/8M | RACCORD RAPIDE -L- 1/8M | STECKVERBINDUNG -L- 1/8M |
| 62 | 15452001 | TUBO TEFLON D-2,5x4 | TUBE TEFLON D-2,5x4 | TUYAU TEFLON D 2,5X24 | TEFLONROHR D 2,5x4 |
| 63 | 4625707004 | RACCORDO DRITTO 1/8x1/4 | STRAIGHT CONNECTOR 1/8-1/4 | RACCORD 1/8-1/4 | ANSCHLUSS 1/8-1/4 |

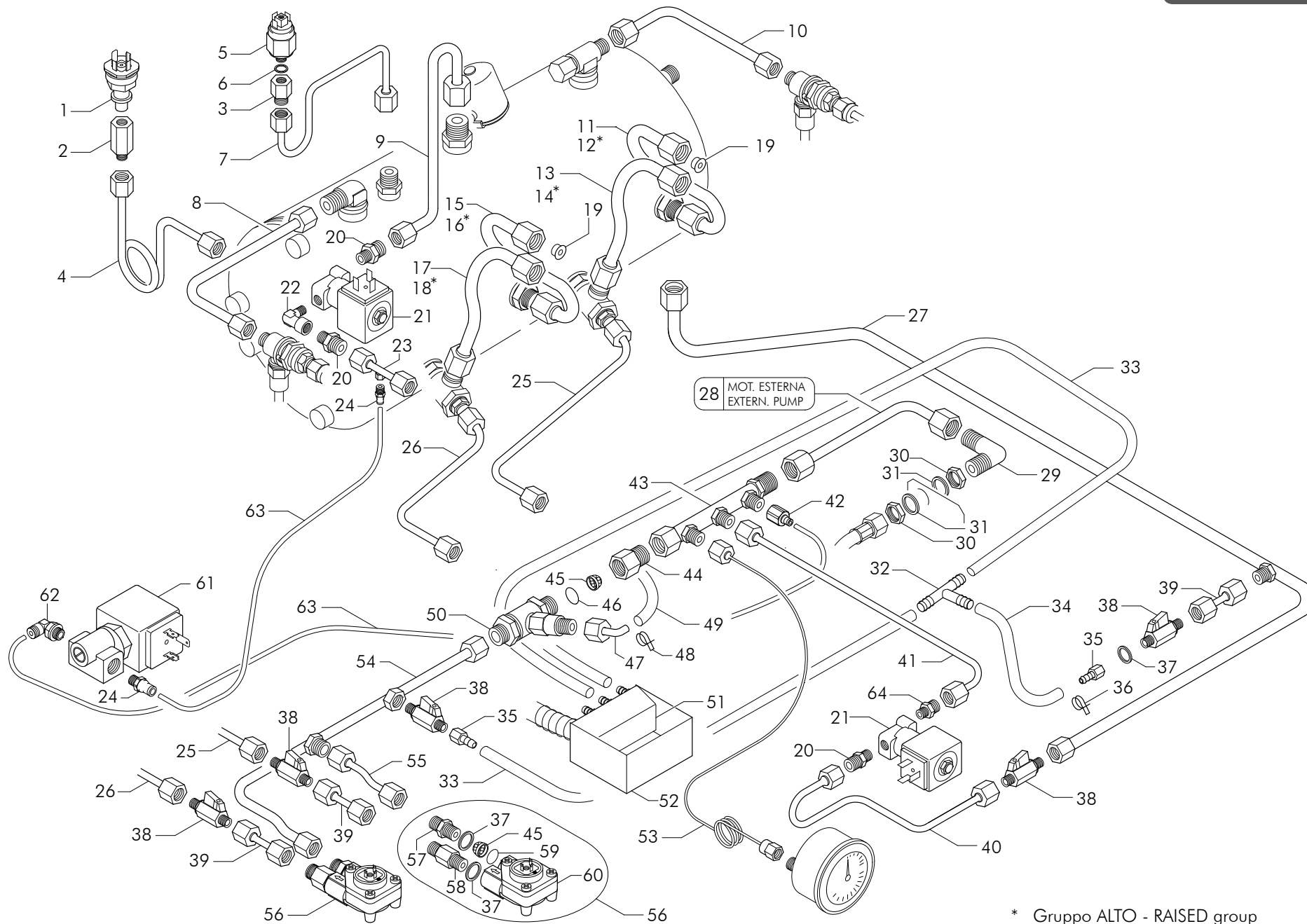


SAE 3GR

| Pos | Cod. | Denominazione - IT - | Denomination - GB - | Denomination - FR - | Denomination - DE - |
|-----|------------|---|--|--|--------------------------------------|
| 1 | 20158 | PRESSOSTATO N.C. 1/8 1-5 OT | PRESSURE SWITCH N.C. 1/8 1-5 OT | PRESSOSTAT N.C. 1/8 1-5 OT | DRUCKWACHTER N.C. 1/8 1-5 OT |
| 2 | 12151 | GUARNIZIONE RAME 1/8 13x10.2x1.5 | COPPER GASKET | JOINT CUIVRE | KUPFERDICHTUNG |
| 3 | 25743001 | RIDUZIONE 1/4Mx1/8F L.20 | REDUCTION 1/4Fx1/8M L.20 | REDUCTION 1/4Mx1/8F L.20 | REDUKTION 1/4Mx1/8F L.20 |
| 4 | 52004515 | TBS.D-6 L.435 SV16 | TUBE D-6 L.435 | TUYAU D-6 L.435 | ROHR D-6 L.435 |
| 5 | 52003932 | TUBO D-6 L.165 | TUBE D-6 L.165 | TUYAU D-6 L.165 | ROHR D-6 L.165 |
| 6 | 52000579 | TUBO D-8 L.235 TB28 | TUBE D-8 L.235 | TUYAU D-8 L.235 | ROHR D-8 L.235 |
| 7 | 52000578 | TUBO D-6 L.140 TB27 | TUBE D-6 L.140 | TUYAU D-6 L.140 | ROHR D-6 L.140 |
| 8 | 52004502 | TUBO D-8 L.320 | TUBE D-8 L.320 | TUYAU D-8 L.320 | ROHR D-8 L.320 |
| 9 | 52000719 | TUBO D-4 L.780 TB40 | TUBE D-4 L.780 | TUYAU D-4 L.780 | ROHR D-4 L.780 |
| 10 | 52003934 | TUBO D-10 L.210 | TUBE D-10 L.210 | TUYAU D-10 L.210 | ROHR D-10 L.210 |
| 11 | 52000487 | TUBO D-10 L.205 | TUBE D-10 L.205 | TUYAU D-10 L.205 | ROHR D-10 L.205 |
| 12 | 52000245 | TUBO D-10 L.165 | TUBE D-10 L.165 | TUYAU D-10 L.165 | ROHR D-10 L.165 |
| 13 | 52000488 | TUBO D-10 L.200 | TUBE D-10 L.200 | TUYAU D-10 L.200 | ROHR D-10 L.200 |
| 14 | 52000214 | TUBO D-10 L.195 | TUBE D-10 L.195 | TUYAU D-10 L.195 | ROHR D-10 L.195 |
| 15 | 52000272 | TUBO D-10 L.135 | TUBE D-10 L.135 | TUYAU D-10 L.135 | ROHR D. 10 L.135 |
| 16 | 52000489 | TUBO D-10 L.240 | TUBE D-10 L.240 | TUYAU D-10 L.240 | ROHR D-10 L.240 |
| 17 | 52000490 | TUBO D-10 L.180 | TUBE D-10 L.180 | TUYAU D-10 L.180 | ROHR D-10 L.180 |
| 18 | 23294001 | STROZZATURA RICIRCOLO GR CTS D 2.5 | CTS UNIT D 2.5 RECIRC. NECK | ETRANGLEMENT RECYCLAGE GR.D.2.5 | ENGSTELLE UMWALZUNG D. 2.5 |
| 18 | 23294003 | STROZZATURA RICIRCOLO GR CTS D 4 | CTS UNIT D 4 RECIRC. NECK | ETRANGLEMENT RECYCLAGE GR.D.4 | ENGSTELLE UMWALZUNG D. 4 |
| 19 | 25707 | RACCORDO 1/8x1/4 | CONNECTOR 1/8x1/4 | RACCORD 1/8x1/4 | ANSCHLUSS 1/8x1/4 |
| 20 | 4723229103 | RACCORDO 1/8-1/8 | CONNECTOR 1/8-1/8 | RACCORD 1/8-1/8 | ANSCHLUSS 1/8-1/8 |
| 21 | 4618162005 | ELETTROVALVOLA AEA 220-240V 50-60Hz VDE | SOL.VALVE WATER REFILL 220/240 50/60HZ | ELECTROVANNE REA 220/240V 50/60Hz VDE/ | ELEKTROVENTIL AWZ 230/250 V 50/60 Hz |
| 22 | 52002088 | TUBO D-6 L.45 | TUBE D-6 L.45 | TUYAU D-6 L.45 | ROHR D-6 L.45 |
| 23 | 23229013 | RACCORDO RAPIDO DRITTO 1/8M CIL+OR D-4 | QUICK COUPLING 1/8M D-4 | RACCORD RAPIDE 1/8M D-4 | STECKVERBINDUNG 1/8M D-4 |
| 24 | 52000718 | TUBO D-6 L.535 TB39 | TUBE D-6 L.535 | TUYAU D-6 L.535 | ROHR D-6 L.535 |
| 25 | 52000714 | TUBO D-6 L.385 TB35 | TUBE D-6 L.385 | TUYAU D-6 L.385 | ROHR D-6 L.385 |
| 26 | 52000619 | TUBO D-6 L.290 TB34 | TUBE D-6 L.290 | TUYAU D-6 L.290 | ROHR D-6 L.290 |
| 27 | 52004504 | TUBO D-8 L.550 | TUBE D-8 L.550 | TUYAU D-8 L.550 | ROHR D-8 L.550 |
| 28 | 52004510 | TUBO D-8 L.65 | TUBE D-8 L.65 | TUYAU D-8 L.65 | ROHR D-8 L.65 |
| 29 | 43067 | RACCORDO "L" 3/8 GASx3/8 GAS L.30 | 3/8 GAS X 3/8 GAS L FITTING L.30 | RACCORD L 3/8 GAZx3/8 GAZ L.30 | ANSCHLUSS L 3/8 GAS x 3/8 GAS L. 30 |
| 30 | 25356 | CONTRODADO OTTONE 3/8 | BRASS LOCK NUT 3/8 | CONTRE-ECROU LAITON 3/8 | MESSING-GEGENMUTTER 3/8 |
| 31 | 25651 | RONDELLA OTTONE 3/8 | BRASS WASHER 3/8 | RONDELLE LAITON 3/8 | MESSINGSCHIEBE 3/8 |
| 32 | 15422017 | RACCORDO "T" POLIPROPILENE D-10 | "T" POLIPROPILENE FITTING | RACCORD "T" POLIPROPILENE | ANSCHLUSS "T" POLIPROPILENE |
| 33 | 15452159 | TUBO SILICONE D-7x11 L.380 | TUBE SILICONE D-7x11 L.300 | TUYAU SILICONE D-7x11 L.300 | SILIKONROHR D7x11 L.300 |
| 34 | 15452129 | TUBO SILICONE PLATINICO 7x11 L.40 | SILICON TUBE | SILICON TUYAU | SILIKON ROHR |
| 35 | 23228025 | RACC.DRITTO 1/4F +PORTAGOMMA D-8 OT/Ni | HOSE CONNECTION 1/4F D-8 | PORTE-CAOUTCHOUC 1/4F D-8 | GUMMIHALTER 1/4F D-8 |
| 36 | 15056002 | FASCETTA BIFILARE A MOLLA D.10,4-11,0 | CLAMP D.10,4 - 11,0 | COLLIER D.10,4 - 11,0 | SCHELLE D.10,4 - 11,0 |
| 37 | 12153 | GUARNIZIONE RAME 1/4 17x13.3x1.5 | GASKET 1/4 17x13.3x1.5 COPPER | JOINT CUIVRE 1/4 17x13.3x1.5 | KUPFERDICHTUNG 1/4 17x13.3x1.5 |

SAE 3GR

| Pos | Cod. | Denominazione - IT - | Denomination - GB - | Denomination - FR - | Denomination - DE - |
|-----|------------|--|-------------------------------------|--|---------------------------------------|
| 38 | 4620354001 | VALVOLA CHIUSURA L.40 | PRESSURE RELEASE TAP BULK UNIT L.40 | CLAPET FERMETURE AUT.ARRIVEE EAU | ABSPERRVENTIL x AUT.WASSERZUFUHR L.40 |
| 39 | 52001590 | TUBO D-6 L.28 | TUBE D-6 L.28 | TUYAU D-6 L.28 | ROHR D-6 L.28 |
| 40 | 52004508 | TUBO D-6 L.191 | TUBE D-6 L.191 | TUYAU D-6 L.191 | ROHR D-6 L.191 |
| 41 | 4625707004 | RACCORDO DRITTO 1/8x1/4 | STRAIGHT CONNECTOR 1/8-1/4 | RACCORD 1/8-1/4 | ANSCHLUSS 1/8-1/4 |
| 42 | 52000617 | TUBO D-6 L.115 TB32 | TUBE D-6 L.115 TB32 | TUYAU D-6 L.115 TB32 | ROHR D-6 L.115 TB32 |
| 43 | 23229019 | RACCORDO RAPIDO DRITTO 1/4F D-4 | QUICK COUPLING 1/4F D-4 | RACCORD RAPIDE 1/4F D-4 | STECKVERBINDUNG 1/4F D-4 |
| 44 | 56136004 | ASSIEME BLOCCO DISTRIBUZ.2-3-4GR | DISTRIBUTION BLOCK 2-3-4GR | BLOC DISTRIBUTION 2-3-4GR | BLOCK VERTEILER 2-3-4GR |
| 45 | 25732100 | RACCORDO 3/8Mx3/8F + SEDE FILTRO | FITTING 3/8Mx3/8F | RACCORD 3/8Mx3/8F | ANSCHLUSS 3/8Mx3/8F |
| 46 | 15452136 | TUBO SILICONE D-7x11 L.300 | TUBE SILICONE D-7x11 L.300 | TUYAU SILICONE D-7x11 L.300 | SILIKONROHR D7x11 L.300 |
| 47 | 10254 | FILTRO ACCIAIO 160-200 MESH | STEEL FILTER 160-200 MESH | FILTRE EN ACIER 160-200 MESH | STAHLFILTER 160-200 MESH |
| 48 | 12312 | GUARNIZIONE OR FILTRO AEA 10x2 | O RING FOR WATER REFILL FILTER 10x2 | JOINT OR FILTRE AUT.REM.EAU 10X2 | OR DICHTUNG FUR WASSERFULLUNGFILTER |
| 49 | 15056003 | FASCETTA BIFILARE A MOLLA D.11-11.6 | SPRING CLAMP BI FILAR D11,00-11.6 | COLLIER BIFILAIRE RESSORT D.11,00-11.6 | SHELLE D.11-11,6 |
| 50 | 52000851 | TUBO D-8 L.45 | TUBE D-8 L.45 | TUYAU D-8 L.45 | ROHR D-8 L.45 |
| 51 | 20361 | VALVOLA S.C.N.R. REGOLABILE | ADJUSTABLE S.C.N.R. VALVE | SOUPAPE S.C.N.R. REGLABLE | EINSTELLBARES VENTIL S.N.C.R. |
| 52 | 15502002 | PARATIA ROMPIGETTO VASCHETTA SCARICO | BULKHEAD | CLOISON | SCHOTT |
| 53 | 15502003 | VASCHETTA SCARICO BACINELLA | DRAIN PAN | DRAIN DE LA BAIGNOIRE | BADEWANNEABLAUF |
| 54 | 52000717 | TUBO D-8 L.535 TB38 | TUBE D-8 L.535 | TUYAU D-8 L.535 | ROHR D-8 L.535 |
| 55 | 4652003057 | TUBO D-2 L.1000 | TUBE D-2 L.1000 | TUYAU D-2 L.1000 | ROHR D-2 L.1000 |
| 56 | 52000829 | TUBO D-6 L.70 | TUBE D-6 L.70 | TUYAU D-7 L.70 | ROHR D-6 L.70 |
| 57 | 25686 | RACCORDO 1/4x1/4 | CONNECTOR 1/4 x 1/4 | RACCORD 1/4 x 1/4 | ANSCHLUSS 1/4x1/4 |
| 58 | 25708 | RACCORDO 1/4x1/4 | 1/4x1/4 FITTING | RACCORD 1/4x1/4 | ANSCHLUSS 1/4x1/4 |
| 59 | 12329 | GUARNIZIONE OR HNBR 7.66xW1.78 | GASKET OR HNBR 7.66xW1.78 | JOINT OR HNBR 7.66x1.78 | OR DICHTUNG HNBR 7.66xW1.78 |
| 60 | 18126 | DOSATORE FLOWMETER | FLOWMETER DOSER | DOSEUR FLOWMETER | DOSIERER FLOWMETER |
| 61 | 56122000 | ASSIEME DOSATORE | DOSER KIT | KIT DOSEUR | DOSIERER |
| 62 | 23229111 | RACCORDO RAPIDO -L- 1/8M CIL+OR D-4 | QUICK COUPLING -L- 1/8M | RACCORD RAPIDE -L- 1/8M | STECKVERBINDUNG -L- 1/8M |
| 63 | 4618161701 | ELETTROVALVOLA REGOLAZ.PORTATA 220-240V/50 | SOL.VALVE 220-240V/50-60Hz | ELECTROVANNE 220-240V/50-60Hz | MAGNETVENTIL 220-240V/50-60Hz |
| 64 | 15452001 | TUBO TEFLON D-2,5x4 | TUBE TEFLON D-2,5x4 | TUYAU TEFLON D 2,5X24 | TEFLONROHR D 2,5x4 |

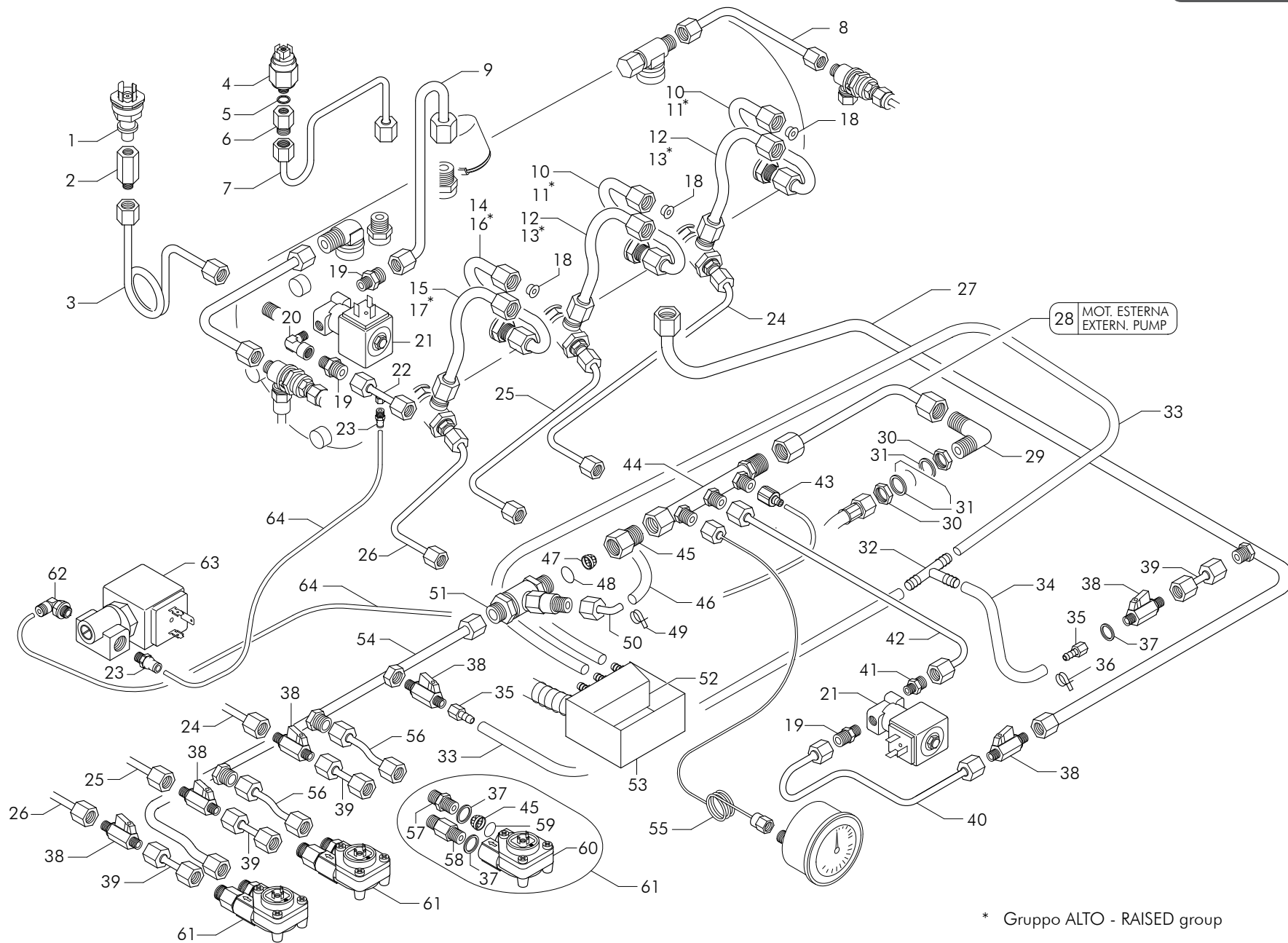


TS 2GR

| Pos | Cod. | Denominazione - IT - | Denomination - GB - | Denomination - FR - | Denomination - DE - |
|-----|------------|---|--|--|--------------------------------------|
| 1 | 18255051 | TRASDUTTORE PRESSIONE CALDAIA | BOILER PRESSURE TRANSMITTER | TRANSMETTEUR DE PRESSION CHAUDIERE | DRUCKMESSUMFORMER KESSEL |
| 2 | 25743002 | RIDUZIONE 1/4Fx1/8M | REDUCTION 1/4Fx1/8M | REDUCTION 1/4Fx1/8M | REDUKTION 1/4Fx1/8M |
| 3 | 25743001 | RIDUZIONE 1/4Mx1/8F L.20 | REDUCTION 1/4Fx1/8M L.20 | REDUCTION 1/4Mx1/8F L.20 | REDUKTION 1/4Mx1/8F L.20 |
| 4 | 52003932 | TUBO D-6 L.165 | TUBE D-6 L.165 | TUYAU D-6 L.165 | ROHR D-6 L.165 |
| 5 | 20158 | PRESSOSTATO N.C. 1/8 1-5 OT | PRESSURE SWITCH N.C. 1/8 1-5 OT | PRESSOSTAT N.C. 1/8 1-5 OT | DRUCKWACHTER N.C. 1/8 1-5 OT |
| 6 | 12151 | GUARNIZIONE RAME 1/8 13x10.2x1.5 | COPPER GASKET | JOINT CUIVRE | KUPFERDICHTUNG |
| 7 | 52004514 | TUBO D-6 L.315 | TUBE D-6 L.315 | TUYAU D-6 L.315 | ROHR D-6 L.315 |
| 8 | 52000579 | TUBO D-8 L.235 TB28 | TUBE D-8 L.235 | TUYAU D-8 L.235 | ROHR D-8 L.235 |
| 9 | 52000578 | TUBO D-6 L.140 TB27 | TUBE D-6 L.140 | TUYAU D-6 L.140 | ROHR D-6 L.140 |
| 10 | 52000580 | TUBO D-8 L.260 TB29 | TUBE D-8 L.260 | TUYAU D-8 L.260 | ROHR D-8 L.260 |
| 11 | 52003934 | TUBO D-10 L.210 | TUBE D-10 L.210 | TUYAU D-10 L.210 | ROHR D-10 L.210 |
| 12 | 52000487 | TUBO D-10 L.205 | TUBE D-10 L.205 | TUYAU D-10 L.205 | ROHR D-10 L.205 |
| 13 | 52000245 | TUBO D-10 L.165 | TUBE D-10 L.165 | TUYAU D-10 L.165 | ROHR D-10 L.165 |
| 14 | 52000488 | TUBO D-10 L.200 | TUBE D-10 L.200 | TUYAU D-10 L.200 | ROHR D-10 L.200 |
| 15 | 52000214 | TUBO D-10 L.195 | TUBE D-10 L.195 | TUYAU D-10 L.195 | ROHR D-10 L.195 |
| 16 | 52000489 | TUBO D-10 L.240 | TUBE D-10 L.240 | TUYAU D-10 L.240 | ROHR D-10 L.240 |
| 17 | 52000272 | TUBO D-10 L.135 | TUBE D-10 L.135 | TUYAU D-10 L.135 | ROHR D. 10 L.135 |
| 18 | 52000490 | TUBO D-10 L.180 | TUBE D-10 L.180 | TUYAU D-10 L.180 | ROHR D-10 L.180 |
| 19 | 23294001 | STROZZATURA RICIRCOLO GR CTS D 2.5 | CTS UNIT D 2.5 RECIRC. NECK | ETRANGLEMENT RECYCLAGE GR.D.2.5 | ENGSTELLE UMWALZUNG D. 2.5 |
| 19 | 23294003 | STROZZATURA RICIRCOLO GR CTS D 4 | CTS UNIT D 4 RECIRC. NECK | ETRANGLEMENT RECYCLAGE GR.D.4 | ENGSTELLE UMWALZUNG D. 4 |
| 20 | 25707 | RACCORDO 1/8x1/4 | CONNECTOR 1/8x1/4 | RACCORD 1/8x1/4 | ANSCHLUSS 1/8x1/4 |
| 21 | 4618162005 | ELETTROVALVOLA AEA 220-240V 50-60Hz VDE | SOL.VALVE WATER REFILL 220/240 50/60HZ | ELECTROVANNE REA 220/240V 50/60Hz VDE/ | ELEKTROVENTIL AWZ 230/250 V 50/60 Hz |
| 22 | 4723229103 | RACCORDO 1/8-1/8 | CONNECTOR 1/8-1/8 | RACCORD 1/8-1/8 | ANSCHLUSS 1/8-1/8 |
| 23 | 52002088 | TUBO D-6 L.45 | TUBE D-6 L.45 | TUYAU D-6 L.45 | ROHR D-6 L.45 |
| 24 | 23229013 | RACCORDO RAPIDO DRITTO 1/8M CIL+OR D-4 | QUICK COUPLING 1/8M D-4 | RACCORD RAPIDE 1/8M D-4 | STECKVERBINDUNG 1/8M D-4 |
| 25 | 52000714 | TUBO D-6 L.385 TB35 | TUBE D-6 L.385 | TUYAU D-6 L.385 | ROHR D-6 L.385 |
| 26 | 52000619 | TUBO D-6 L.290 TB34 | TUBE D-6 L.290 | TUYAU D-6 L.290 | ROHR D-6 L.290 |
| 27 | 52004504 | TUBO D-8 L.550 | TUBE D-8 L.550 | TUYAU D-8 L.550 | ROHR D-8 L.550 |
| 28 | 52004510 | TUBO D-8 L.65 | TUBE D-8 L.65 | TUYAU D-8 L.65 | ROHR D-8 L.65 |
| 29 | 43067 | RACCORDO "L" 3/8 GASx3/8 GAS L.30 | 3/8 GAS X 3/8 GAS L FITTING L.30 | RACCORD L 3/8 GAZx3/8 GAZ L.30 | ANSCHLUSS L 3/8 GAS x 3/8 GAS L. 30 |
| 30 | 25356 | CONTRODADO OTTONE 3/8 | BRASS LOCK NUT 3/8 | CONTRE-ECROU LAITON 3/8 | MESSING-GEGENMUTTER 3/8 |
| 31 | 25651 | RONDELLA OTTONE 3/8 | BRASS WASHER 3/8 | RONDELLE LAITON 3/8 | MESSINGSCHIEBE 3/8 |
| 32 | 15422017 | RACCORDO "T" POLIPROPILENE D-10 | "T" POLIPROPILENE FITTING | RACCORD "T" POLIPROPILENE | ANSCHLUSS "T" POLIPROPILENE |
| 33 | 15452159 | TUBO SILICONE D-7x11 L.380 | TUBE SILICONE D-7x11 L.300 | TUYAU SILICONE D-7x11 L.300 | SILIKONROHR D7x11 L.300 |
| 34 | 15452129 | TUBO SILICONE PLATINICO 7x11 L.40 | SILICON TUBE | SILICON TUYAU | SILIKON ROHR |
| 35 | 23228025 | RACC.DRITTO 1/4F +PORTAGOMMA D-8 OT/Ni | HOSE CONNECTION 1/4F D-8 | PORTE-CAOUTCHOUC 1/4F D-8 | GUMMIHALTER 1/4F D-8 |
| 36 | 15056002 | FASCETTA BIFILARE A MOLLA D.10,4-11,0 | CLAMP D.10,4 - 11,0 | COLLIER D.10,4 - 11,0 | SCHELLE D.10,4 - 11,0 |
| 37 | 12153 | GUARNIZIONE RAME 1/4 17x13.3x1.5 | GASKET 1/4 17x13.3x1.5 COPPER | JOINT CUIVRE 1/4 17x13.3x1.5 | KUPFERDICHTUNG 1/4 17x13.3x1.5 |

TS 2GR

| Pos | Cod. | Denominazione - IT - | Denomination - GB - | Denomination - FR - | Denomination - DE - |
|-----|------------|--|-------------------------------------|--|---------------------------------------|
| 38 | 4620354001 | VALVOLA CHIUSURA L.40 | PRESSURE RELEASE TAP BULK UNIT L.40 | CLAPET FERMETURE AUT.ARRIVEE EAU | ABSPERRVENTIL x AUT.WASSERZUFUHR L.40 |
| 39 | 52001590 | TUBO D-6 L.28 | TUBE D-6 L.28 | TUYAU D-6 L.28 | ROHR D-6 L.28 |
| 40 | 52004508 | TUBO D-6 L.191 | TUBE D-6 L.191 | TUYAU D-6 L.191 | ROHR D-6 L.191 |
| 41 | 52000617 | TUBO D-6 L.115 TB32 | TUBE D-6 L.115 TB32 | TUYAU D-6 L.115 TB32 | ROHR D-6 L.115 TB32 |
| 42 | 23229019 | RACCORDO RAPIDO DRITTO 1/4F D-4 | QUICK COUPLING 1/4F D-4 | RACCORD RAPIDE 1/4F D-4 | STECKVERBINDUNG 1/4F D-4 |
| 43 | 56136004 | ASSIEME BLOCCO DISTRIBUZ.2-3-4GR | DISTRIBUTION BLOCK 2-3-4GR | BLOC DISTRIBUTION 2-3-4GR | BLOCK VERTEILER 2-3-4GR |
| 44 | 25732100 | RACCORDO 3/8Mx3/8F + SEDE FILTRO | FITTING 3/8Mx3/8F | RACCORD 3/8Mx3/8F | ANSCHLUSS 3/8Mx3/8F |
| 45 | 10254 | FILTRO ACCIAIO 160-200 MESH | STEEL FILTER 160-200 MESH | FILTRE EN ACIER 160-200 MESH | STAHLFILTER 160-200 MESH |
| 46 | 12312 | GUARNIZIONE OR FILTRO AEA 10x2 | O RING FOR WATER REFILL FILTER 10x2 | JOINT OR FILTRE AUT.REM.EAU 10X2 | OR DICHTUNG FUR WASSERFULLUNGFILTER |
| 47 | 52000851 | TUBO D-8 L.45 | TUBE D-8 L.45 | TUYAU D-8 L.45 | ROHR D-8 L.45 |
| 48 | 15056003 | FASCETTA BIFILARE A MOLLA D.11-11.6 | SPRING CLAMP BI FILAR D11,00-11.6 | COLLIER BIFILAIRE RESSORT D.11,00-11.6 | SHELLE D.11-11,6 |
| 49 | 15452136 | TUBO SILICONE D-7x11 L.300 | TUBE SILICONE D-7x11 L.300 | TUYAU SILICONE D-7x11 L.300 | SILIKONROHR D7x11 L.300 |
| 50 | 20361 | VALVOLA S.C.N.R. REGOLABILE | ADJUSTABLE S.C.N.R. VALVE | SOUPAPE S.C.N.R. REGLABLE | EINSTELLBARES VENTIL S.N.C.R. |
| 51 | 15502002 | PARATIA ROMPIGETTO VASCHETTA SCARICO | BULKHEAD | CLOISON | SCHOTT |
| 52 | 15502003 | VASCHETTA SCARICO BACINELLA | DRAIN PAN | DRAIN DE LA BAIGNOIRE | BADEWANNEABLAUF |
| 53 | 4652003061 | TUBO D-2 L.500 | TUBE D-2 L.500 | TUYAU D-2 L.500 | ROHR D-2 L.500 |
| 54 | 52000618 | TUBO D-8 L.300 TB33 | TUBE D-8 L.300 | TUYAU D-8 L.300 | ROHR D-8 L.300 |
| 55 | 52000829 | TUBO D-6 L.70 | TUBE D-6 L.70 | TUYAU D-7 L.70 | ROHR D-6 L.70 |
| 56 | 56122000 | ASSIEME DOSATORE | DOSER KIT | KIT DOSEUR | DOSIERER |
| 57 | 25686 | RACCORDO 1/4x1/4 | CONNECTOR 1/4 x 1/4 | RACCORD 1/4 x 1/4 | ANSCHLUSS 1/4x1/4 |
| 58 | 25708 | RACCORDO 1/4x1/4 | 1/4x1/4 FITTING | RACCORD 1/4x1/4 | ANSCHLUSS 1/4x1/4 |
| 59 | 12329 | GUARNIZIONE OR HNBR 7.66xW1.78 | GASKET OR HNBR 7.66xW1.78 | JOINT OR HNBR 7.66x1.78 | OR DICHTUNG HNBR 7.66xW1.78 |
| 60 | 18126 | DOSATORE FLOWMETER | FLOWMETER DOSER | DOSEUR FLOWMETER | DOSIERER FLOWMETER |
| 61 | 4618161701 | ELETTROVALVOLA REGOLAZ.PORTATA 220-240V/50 | SOL.VALVE 220-240V/50-60Hz | ELECTROVANNE 220-240V/50-60Hz | MAGNETVENTIL 220-240V/50-60Hz |
| 62 | 23229111 | RACCORDO RAPIDO -L- 1/8M CIL+OR D-4 | QUICK COUPLING -L- 1/8M | RACCORD RAPIDE -L- 1/8M | STECKVERBINDUNG -L- 1/8M |
| 63 | 15452001 | TUBO TEFLON D-2,5x4 | TUBE TEFLON D-2,5x4 | TUYAU TEFLON D 2,5X24 | TEFLONROHR D 2,5x4 |
| 64 | 4625707004 | RACCORDO DRITTO 1/8x1/4 | STRAIGHT CONNECTOR 1/8-1/4 | RACCORD 1/8-1/4 | ANSCHLUSS 1/8-1/4 |



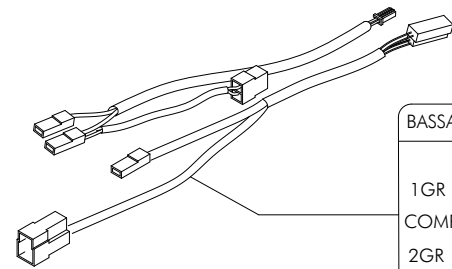
* Gruppo ALTO - RAISED group

TS 3GR

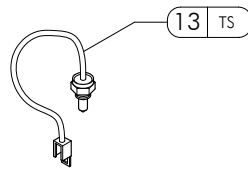
| Pos | Cod. | Denominazione - IT - | Denomination - GB - | Denomination - FR - | Denomination - DE - |
|-----|------------|---|--|--|--------------------------------------|
| 1 | 18255051 | TRASDUTTORE PRESSIONE CALDAIA | BOILER PRESSURE TRANSMITTER | TRANSMETTEUR DE PRESSION CHAUDIERE | DRUCKMESSUMFORMER KESSEL |
| 2 | 25743002 | RIDUZIONE 1/4Fx1/8M | REDUCTION 1/4Fx1/8M | REDUCTION 1/4Fx1/8M | REDUKTION 1/4Fx1/8M |
| 3 | 52003932 | TUBO D-6 L.165 | TUBE D-6 L.165 | TUYAU D-6 L.165 | ROHR D-6 L.165 |
| 4 | 20158 | PRESSOSTATO N.C. 1/8 1-5 OT | PRESSURE SWITCH N.C. 1/8 1-5 OT | PRESSOSTAT N.C. 1/8 1-5 OT | DRUCKWACHTER N.C. 1/8 1-5 OT |
| 5 | 12151 | GUARNIZIONE RAME 1/8 13x10.2x1.5 | COPPER GASKET | JOINT CUIVRE | KUPFERDICHTUNG |
| 6 | 25743001 | RIDUZIONE 1/4Mx1/8F L.20 | REDUCTION 1/4Fx1/8M L.20 | REDUCTION 1/4Mx1/8F L.20 | REDUKTION 1/4Mx1/8F L.20 |
| 7 | 52004515 | TBS.D-6 L.435 SV16 | TUBE D-6 L.435 | TUYAU D-6 L.435 | ROHR D-6 L.435 |
| 8 | 52004502 | TUBO D-8 L.320 | TUBE D-8 L.320 | TUYAU D-8 L.320 | ROHR D-8 L.320 |
| 9 | 52000578 | TUBO D-6 L.140 TB27 | TUBE D-6 L.140 | TUYAU D-6 L.140 | ROHR D-6 L.140 |
| 10 | 52003934 | TUBO D-10 L.210 | TUBE D-10 L.210 | TUYAU D-10 L.210 | ROHR D-10 L.210 |
| 11 | 52000487 | TUBO D-10 L.205 | TUBE D-10 L.205 | TUYAU D-10 L.205 | ROHR D-10 L.205 |
| 12 | 52000245 | TUBO D-10 L.165 | TUBE D-10 L.165 | TUYAU D-10 L.165 | ROHR D-10 L.165 |
| 13 | 52000488 | TUBO D-10 L.200 | TUBE D-10 L.200 | TUYAU D-10 L.200 | ROHR D-10 L.200 |
| 14 | 52000214 | TUBO D-10 L.195 | TUBE D-10 L.195 | TUYAU D-10 L.195 | ROHR D-10 L.195 |
| 15 | 52000272 | TUBO D-10 L.135 | TUBE D-10 L.135 | TUYAU D-10 L.135 | ROHR D. 10 L.135 |
| 16 | 52000489 | TUBO D-10 L.240 | TUBE D-10 L.240 | TUYAU D-10 L.240 | ROHR D-10 L.240 |
| 17 | 52000490 | TUBO D-10 L.180 | TUBE D-10 L.180 | TUYAU D-10 L.180 | ROHR D-10 L.180 |
| 18 | 23294001 | STROZZATURA RICIRCOLO GR CTS D 2.5 | CTS UNIT D 2.5 RECIRC. NECK | ETRANGLEMENT RECYCLAGE GR.D.2.5 | ENGSTELLE UMWALZUNG D. 2.5 |
| 18 | 23294003 | STROZZATURA RICIRCOLO GR CTS D 4 | CTS UNIT D 4 RECIRC. NECK | ETRANGLEMENT RECYCLAGE GR.D.4 | ENGSTELLE UMWALZUNG D. 4 |
| 19 | 25707 | RACCORDO 1/8x1/4 | CONNECTOR 1/8x1/4 | RACCORD 1/8x1/4 | ANSCHLUSS 1/8x1/4 |
| 20 | 4723229103 | RACCORDO 1/8-1/8 | CONNECTOR 1/8-1/8 | RACCORD 1/8-1/8 | ANSCHLUSS 1/8-1/8 |
| 21 | 4618162005 | ELETTROVALVOLA AEA 220-240V 50-60Hz VDE | SOL.VALVE WATER REFILL 220/240 50/60HZ | ELECTROVANNE REA 220/240V 50/60Hz VDE/ | ELEKTROVENTIL AWZ 230/250 V 50/60 Hz |
| 22 | 52002088 | TUBO D-6 L.45 | TUBE D-6 L.45 | TUYAU D-6 L.45 | ROHR D-6 L.45 |
| 23 | 23229013 | RACCORDO RAPIDO DRITTO 1/8M CIL+OR D-4 | QUICK COUPLING 1/8M D-4 | RACCORD RAPIDE 1/8M D-4 | STECKVERBINDUNG 1/8M D-4 |
| 24 | 52000718 | TUBO D-6 L.535 TB39 | TUBE D-6 L.535 | TUYAU D-6 L.535 | ROHR D-6 L.535 |
| 25 | 52000714 | TUBO D-6 L.385 TB35 | TUBE D-6 L.385 | TUYAU D-6 L.385 | ROHR D-6 L.385 |
| 26 | 52000619 | TUBO D-6 L.290 TB34 | TUBE D-6 L.290 | TUYAU D-6 L.290 | ROHR D-6 L.290 |
| 27 | 52004504 | TUBO D-8 L.550 | TUBE D-8 L.550 | TUYAU D-8 L.550 | ROHR D-8 L.550 |
| 28 | 52004510 | TUBO D-8 L.65 | TUBE D-8 L.65 | TUYAU D-8 L.65 | ROHR D-8 L.65 |
| 29 | 43067 | RACCORDO "L" 3/8 GASx3/8 GAS L.30 | 3/8 GAS X 3/8 GAS L FITTING L.30 | RACCORD L 3/8 GAZx3/8 GAZ L.30 | ANSCHLUSS L 3/8 GAS x 3/8 GAS L. 30 |
| 30 | 25356 | CONTRODADO OTTONE 3/8 | BRASS LOCK NUT 3/8 | CONTRE-ECROU LAITON 3/8 | MESSING-GEGENMUTTER 3/8 |
| 31 | 25651 | RONDELLA OTTONE 3/8 | BRASS WASHER 3/8 | RONDELLE LAITON 3/8 | MESSINGSCHIEBE 3/8 |
| 32 | 15422017 | RACCORDO "T" POLIPROPILENE D-10 | "T" POLIPROPILENE FITTING | RACCORD "T" POLIPROPILENE | ANSCHLUSS "T" POLIPROPILENE |
| 33 | 15452159 | TUBO SILICONE D-7x11 L.380 | TUBE SILICONE D-7x11 L.300 | TUYAU SILICONE D-7x11 L.300 | SILIKONROHR D7x11 L.300 |
| 34 | 15452129 | TUBO SILICONE PLATINICO 7x11 L.40 | SILICON TUBE | SILICON TUYAU | SILIKON ROHR |
| 35 | 23228025 | RACC.DRITTO 1/4F +PORTAGOMMA D-8 OT/Ni | HOSE CONNECTION 1/4F D-8 | PORTE-CAOUTCHOUC 1/4F D-8 | GUMMIHALTER 1/4F D-8 |
| 36 | 15056002 | FASCETTA BIFILARE A MOLLA D.10,4-11,0 | CLAMP D.10,4 - 11,0 | COLLIER D.10,4 - 11,0 | SCHELLE D.10,4 - 11,0 |
| 37 | 12153 | GUARNIZIONE RAME 1/4 17x13.3x1.5 | GASKET 1/4 17x13.3x1.5 COPPER | JOINT CUIVRE 1/4 17x13.3x1.5 | KUPFERDICHTUNG 1/4 17x13.3x1.5 |

TS 3GR

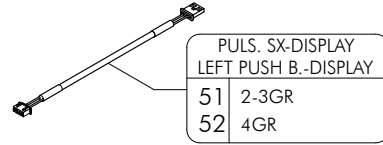
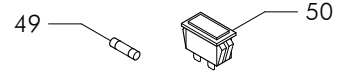
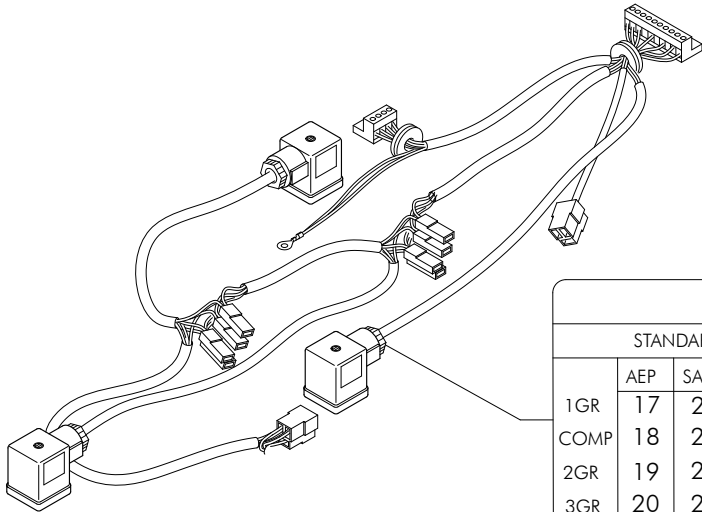
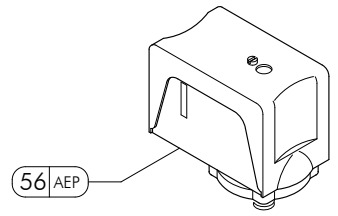
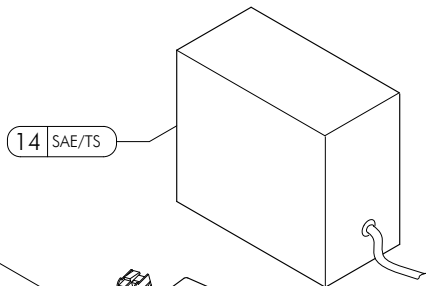
| Pos | Cod. | Denominazione - IT - | Denomination - GB - | Denomination - FR - | Denomination - DE - |
|-----|------------|--|-------------------------------------|--|---------------------------------------|
| 38 | 4620354001 | VALVOLA CHIUSURA L.40 | PRESSURE RELEASE TAP BULK UNIT L.40 | CLAPET FERMETURE AUT.ARRIVEE EAU | ABSPERRVENTIL x AUT.WASSERZUFUHR L.40 |
| 39 | 52001590 | TUBO D-6 L.28 | TUBE D-6 L.28 | TUYAU D-6 L.28 | ROHR D-6 L.28 |
| 40 | 52004508 | TUBO D-6 L.191 | TUBE D-6 L.191 | TUYAU D-6 L.191 | ROHR D-6 L.191 |
| 41 | 4625707004 | RACCORDO DRITTO 1/8x1/4 | STRAIGHT CONNECTOR 1/8-1/4 | RACCORD 1/8-1/4 | ANSCHLUSS 1/8-1/4 |
| 42 | 52000617 | TUBO D-6 L.115 TB32 | TUBE D-6 L.115 TB32 | TUYAU D-6 L.115 TB32 | ROHR D-6 L.115 TB32 |
| 43 | 23229019 | RACCORDO RAPIDO DRITTO 1/4F D-4 | QUICK COUPLING 1/4F D-4 | RACCORD RAPIDE 1/4F D-4 | STECKVERBINDUNG 1/4F D-4 |
| 44 | 56136004 | ASSIEME BLOCCO DISTRIBUZ.2-3-4GR | DISTRIBUTION BLOCK 2-3-4GR | BLOC DISTRIBUTION 2-3-4GR | BLOCK VERTEILER 2-3-4GR |
| 45 | 25732100 | RACCORDO 3/8Mx3/8F + SEDE FILTRO | FITTING 3/8Mx3/8F | RACCORD 3/8Mx3/8F | ANSCHLUSS 3/8Mx3/8F |
| 46 | 15452136 | TUBO SILICONE D-7x11 L.300 | TUBE SILICONE D-7x11 L.300 | TUYAU SILICONE D-7x11 L.300 | SILIKONROHR D7x11 L.300 |
| 47 | 10254 | FILTRO ACCIAIO 160-200 MESH | STEEL FILTER 160-200 MESH | FILTRE EN ACIER 160-200 MESH | STAHLFILTER 160-200 MESH |
| 48 | 12312 | GUARNIZIONE OR FILTRO AEA 10x2 | O RING FOR WATER REFILL FILTER 10x2 | JOINT OR FILTRE AUT.REM.EAU 10X2 | OR DICHTUNG FUR WASSERFULLUNGFILTER |
| 49 | 15056003 | FASCETTA BIFILARE A MOLLA D.11-11.6 | SPRING CLAMP BI FILAR D11,00-11.6 | COLLIER BIFILAIRE RESSORT D.11,00-11.6 | SHELLE D.11-11,6 |
| 50 | 52000851 | TUBO D-8 L.45 | TUBE D-8 L.45 | TUYAU D-8 L.45 | ROHR D-8 L.45 |
| 51 | 20361 | VALVOLA S.C.N.R. REGOLABILE | ADJUSTABLE S.C.N.R. VALVE | SOUPAPE S.C.N.R. REGLABLE | EINSTELLBARES VENTIL S.N.C.R. |
| 52 | 15502002 | PARATIA ROMPIGETTO VASCHETTA SCARICO | BULKHEAD | CLOISON | SCHOTT |
| 53 | 15502003 | VASCHETTA SCARICO BACINELLA | DRAIN PAN | DRAIN DE LA BAIGNOIRE | BADEWANNEABLAUF |
| 54 | 52000717 | TUBO D-8 L.535 TB38 | TUBE D-8 L.535 | TUYAU D-8 L.535 | ROHR D-8 L.535 |
| 55 | 4652003062 | TUBO D-2 L.1000 | TUBE D-2 L.1000 | TUYAU D-2 L.1000 | ROHR D-2 L.1000 |
| 56 | 52000829 | TUBO D-6 L.70 | TUBE D-6 L.70 | TUYAU D-7 L.70 | ROHR D-6 L.70 |
| 57 | 25686 | RACCORDO 1/4x1/4 | CONNECTOR 1/4 x 1/4 | RACCORD 1/4 x 1/4 | ANSCHLUSS 1/4x1/4 |
| 58 | 25708 | RACCORDO 1/4x1/4 | 1/4x1/4 FITTING | RACCORD 1/4x1/4 | ANSCHLUSS 1/4x1/4 |
| 59 | 12329 | GUARNIZIONE OR HNBR 7.66xW1.78 | GASKET OR HNBR 7.66xW1.78 | JOINT OR HNBR 7.66x1.78 | OR DICHTUNG HNBR 7.66xW1.78 |
| 60 | 18126 | DOSATORE FLOWMETER | FLOWMETER DOSER | DOSEUR FLOWMETER | DOSIERER FLOWMETER |
| 61 | 56122000 | ASSIEME DOSATORE | DOSER KIT | KIT DOSEUR | DOSIERER |
| 62 | 23229111 | RACCORDO RAPIDO -L- 1/8M CIL+OR D-4 | QUICK COUPLING -L- 1/8M | RACCORD RAPIDE -L- 1/8M | STECKVERBINDUNG -L- 1/8M |
| 63 | 4618161701 | ELETTROVALVOLA REGOLAZ.PORTATA 220-240V/50 | SOL.VALVE 220-240V/50-60Hz | ELECTROVANNE 220-240V/50-60Hz | MAGNETVENTIL 220-240V/50-60Hz |
| 64 | 15452001 | TUBO TEFLON D-2,5x4 | TUBE TEFLON D-2,5x4 | TUYAU TEFLON D 2,5X24 | TEFLONROHR D 2,5x4 |



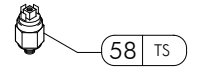
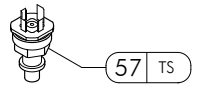
| BASSA TENSIONE/LOW VOLTAGE | | | |
|----------------------------|-----|-----|----|
| | AEP | SAE | TS |
| 1GR | 1 | 6 | |
| COMP | 2 | 7 | |
| 2GR | 3 | 7 | 10 |
| 3GR | 4 | 8 | 11 |
| 4GR | 5 | 9 | 12 |



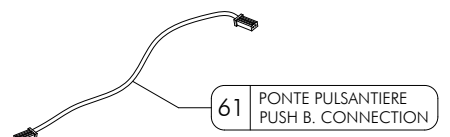
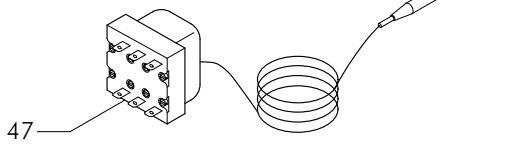
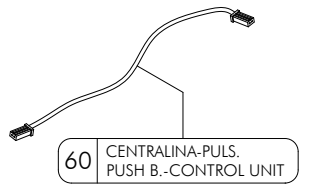
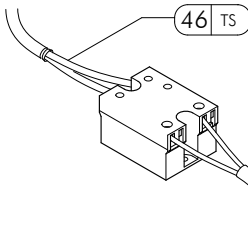
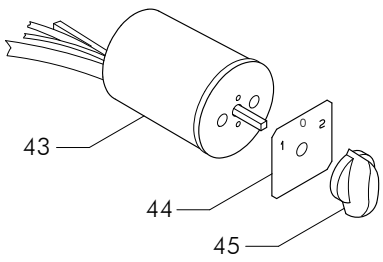
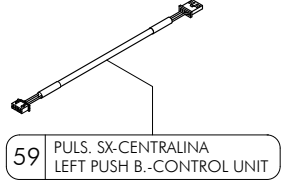
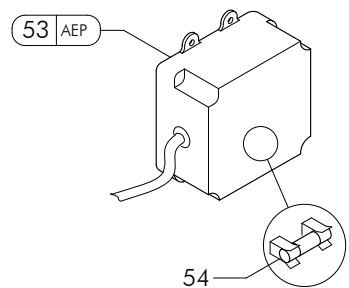
| AUTOSTEAMER | |
|-------------|----------|
| 15 | STANDARD |
| 16 | UL |



| PULS. SX-DISPLAY LEFT PUSH B.-DISPLAY | |
|--|-------|
| 51 | 2-3GR |
| 52 | 4GR |



| SERVIZI/SERVICES | | | | | | |
|------------------|----------|-----|----|-----|-----|----|
| | STANDARD | | | UL | | |
| | AEP | SAE | TS | AEP | SAE | TS |
| 1GR | 17 | 22 | | 30 | 35 | |
| COMP | 18 | 23 | | 31 | 36 | |
| 2GR | 19 | 24 | 27 | 32 | 37 | 40 |
| 3GR | 20 | 25 | 28 | 33 | 38 | 41 |
| 4GR | 21 | 26 | 29 | 34 | 39 | 42 |

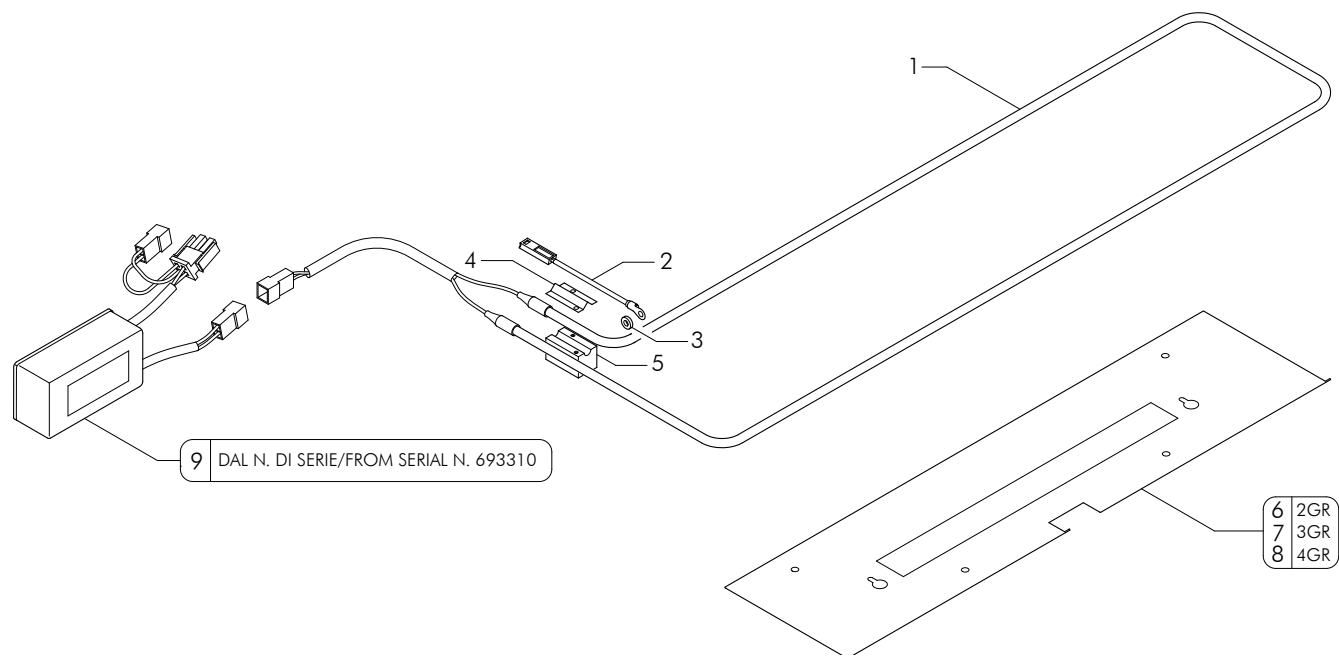


AEP/SAE/TS

| Pos | Cod. | Denominazione - IT - | Denomination - GB - | Denomination - FR - | Denomination - DE - |
|-----|----------|--|------------------------------|------------------------------------|-------------------------------------|
| 1 | 22716172 | CABLAGGIO BASSA TENSIONE AEP/1 | LOW TENSION WIRING AEP/1 | CABLAGE DE BASSE TENSION AEP/1 | NIEDERSPANNUNG VERDR. AEP/1 |
| 2 | 22716173 | CABLAGGIO BASSA TENSIONE AEP/2C | LOW TENSION WIRING AEP/2C | CABLAGE DE BASSE TENSION AEP/2C | NIEDERSPANNUNG VERDR. AEP/2C |
| 3 | 22716174 | CABLAGGIO BASSA TENSIONE AEP/2 | LOW TENSION WIRING AEP/2 | CABLAGE DE BASSE TENSION AEP/2 | NIEDERSPANNUNG VERDR. AEP/2 |
| 4 | 22716175 | CABLAGGIO BASSA TENSIONE AEP/3 | LOW TENSION WIRING AEP/3 | CABLAGE DE BASSE TENSION AEP/3 | NIEDERSPANNUNG VERDR. AEP/3 |
| 5 | 22716176 | CABLAGGIO BASSA TENSIONE AEP/4 | LOW TENSION WIRING AEP/4 | CABLAGE DE BASSE TENSION AEP/4 | NIEDERSPANNUNG VERDR. AEP/4 |
| 6 | 22716133 | CABLAGGIO BASSA TENSIONE SAE/1 | LOW TENSION WIRING SAE/1 | CABLAGE DE BASSE TENSION SAE/1 | NIEDERSPANNUNG DIENST. SAE/1 |
| 7 | 22716135 | CABLAGGIO BASSA TENSIONE SAE/2 | LOW TENSION WIRING SAE/2 | CABLAGE DE BASSE TENSION SAE/2 | NIEDERSPANNUNG DIENST. SAE/2 |
| 8 | 22716136 | CABLAGGIO BASSA TENSIONE SAE/3 | LOW TENSION WIRING SAE/3 | CABLAGE DE BASSE TENSION SAE/3 | NIEDERSPANNUNG DIENST. SAE/3 |
| 9 | 22716137 | CABLAGGIO BASSA TENSIONE SAE/4 | LOW TENSION WIRING SAE/4 | CABLAGE DE BASSE TENSION SAE/4 | NIEDERSPANNUNG DIENST. SAE/4 |
| 10 | 22716169 | CABLAGGIO BASSA TENSIONE SAE/2+DISPLAY | LOW TENSION WIRING SAE/2+DSP | CABLAGE DE BASSE TENSION SAE/2+DSP | NIEDERSPANNUNG SAE/2+DSP |
| 11 | 22716170 | CABLAGGIO BASSA TENSIONE SAE/3+DISPLAY | LOW TENSION WIRING SAE/3+DSP | CABLAGE DE BASSE TENSION SAE/3+DSP | NIEDERSPANNUNG SAE/3+DSP |
| 12 | 22716171 | CABLAGGIO BASSA TENSIONE SAE/4+DISPLAY | LOW TENSION WIRING SAE/4+DSP | CABLAGE DE BASSE TENSION SAE/4+DSP | NIEDERSPANNUNG VERDR. SAE/4+DSP |
| 13 | 20306006 | SONDA NTC CON SENSORE IN VETRO | NTC PROBE WITH GLASS SENSOR | SONDE NTC AVEC CAPTEUR EN VERRE | NTC SONDE |
| 14 | 18090230 | CENTRALINA 1-4GR 100/240V | CONTROL UNIT | UNIT DE CONTROLE | STEUEREINHEIT |
| 15 | 22716189 | CABLAGGIO AUTOSTEAMER | AUTOSTEAMER WIRING | CABLAGE AUTOSTEAMER | AUTOSTEAMER VERDR. |
| 16 | 22716190 | CABLAGGIO AUTOSTEAMER UL | AUTOSTEAMER WIRING UL | CABLAGE AUTOSTEAMER UL | AUTOSTEAMER VERDR. UL |
| 17 | 22716177 | CABLAGGIO SERVIZI AEP/1 | SERVICES WIRING AEP/1 | CABLAGE DE SERVICES AEP/1 | VERKABELUNG DIENST. AEP/1 |
| 18 | 22716178 | CABLAGGIO SERVIZI AEP/2C | SERVICES WIRING AEP/2C | CABLAGE DE SERVICES AEP/2C | VERKABELUNG DIENST. AEP/2C |
| 19 | 22716179 | CABLAGGIO SERVIZI AEP/2 | SERVICES WIRING AEP/2 | CABLAGE DE SERVICE AEP/2 | VERKABELUNG DIENST. AEP/2 |
| 20 | 22716180 | CABLAGGIO SERVIZI AEP/3 | SERVICES WIRING AEP/3 | CABLAGE DE SERVICES AEP/3 | VERKABELUNG DIENST. AEP/3 |
| 21 | 22716181 | CABLAGGIO SERVIZI AEP/4 | SERVICES WIRING AEP/4 | CABLAGE DE SERVICES AEP/4 | VERKABELUNG DIENST. AEP/4 |
| 22 | 22716113 | CABLAGGIO SERVIZI SAE/1 | SERVICE WIRING SAE/1 | CABLAGE DE SERVICES SAE/1 | VERKABELUNG DIENSTLEISTUNGEN SAE/1 |
| 23 | 22716114 | CABLAGGIO SERVIZI SAE/2C | SERVICES WIRING SAE/2C | CABLAGE DE SERVICES SAE/2C | VERKABELUNG DIENSTLEISTUNGEN SAE/2C |
| 24 | 22716115 | CABLAGGIO SERVIZI SAE/2 | SERVICES WIRING SAE/2 | CABLAGE DE SERVICES SAE/2 | VERKABELUNG DIENSTLEISTUNGEN SAE/2 |
| 25 | 22716116 | CABLAGGIO SERVIZI SAE/3 | SERVICES WIRING SAE/3 | CABLAGE DE SERVICES SAE/3 | VERKABELUNG DIENSTLEISTUNGEN SAE/3 |
| 26 | 22716117 | CABLAGGIO SERVIZI SAE/4 | SERVICES WIRING SAE/4 | CABLAGE DE SERVICES SAE/4 | VERKABELUNG DIENSTLEISTUNGEN SAE/4 |
| 27 | 22716120 | CABLAGGIO SERVIZI SAE/2+DISPLAY | SERVICE WIRING SAE/2+DSP | CABLAGE DE SERVICES SAE/2+DSP | VERKABELUNG DIENST. SAE/2+DSP |
| 28 | 22716121 | CABLAGGIO SERVIZI SAE/3+DISPLAY | SERVICES WIRING SAE/3+DSP | CABLAGE DE SERVICE SAE/3+DSP | VERKABELUNG DIENST. SAE/3+DSP |
| 29 | 22716122 | CABLAGGIO SERVIZI SAE/4+DISPLAY | SERVICES WIRING SAE/4+DSP | CABLAGE DE SERVICES SAE/4+DSP | VERKABELUNG DIENST. SAE/4+DSP |
| 30 | 22716182 | CABLAGGIO SERVIZI AEP/1 UL | SERVICES WIRING AEP/1 UL | CABLAGE DE SERVICES AEP/1 UL | VERKABELUNG DIENST. AEP/1 UL |
| 31 | 22716183 | CABLAGGIO SERVIZI AEP/2C UL | SERVICES WIRING AEP/2C UL | CABLAGE DE SERVICES AEP/2C UL | VERKABELUNG DIENST. AEP/2C UL |
| 32 | 22716184 | CABLAGGIO SERVIZI AEP/2 UL | SERVICES WIRING AEP/2 UL | CABLAGE DE SERVICES AEP/2 UL | VERKABELUNG DIENST. AEP/2 UL |
| 33 | 22716185 | CABLAGGIO SERVIZI AEP/3 UL | SERVICES WIRING AEP/3 UL | CABLAGE DE SERVICES AEP/3 UL | VERKABELUNG DIENST. AEP/3 UL |
| 34 | 22716186 | CABLAGGIO SERVIZI AEP/4 UL | SERVICES WIRING AEP/4 UL | CABLAGE DE SERVICES AEP/4 UL | VERKABELUNG DIENST. AEP/4 UL |
| 35 | 22716123 | CABLAGGIO SERVIZI SAE/1 UL | SERVICES WIRING SAE/1 UL | CABLAGE DE SERVICES SAE/1 UL | VERKABELUNG DIENST. SAE/1 UL |
| 36 | 22716124 | CABLAGGIO SERVIZI SAE/2C UL | SERVICES WIRING SAE/2C UL | CABLAGE DE SERVICES SAE/2C UL | VERKABELUNG DIENST. SAE/2C UL |
| 37 | 22716125 | CABLAGGIO SERVIZI SAE/2 UL | SERVICES WIRING SAE/2 UL | CABLAGE DE SERVICES SAE/2 UL | VERKABELUNG DIENST. SAE/2 UL |
| 38 | 22716126 | CABLAGGIO SERVIZI SAE/3 UL | SERVICES WIRING SAE/3 UL | CABLAGE DE SERVICES SAE/3 UL | VERKABELUNG DIENST. SAE/3 UL |

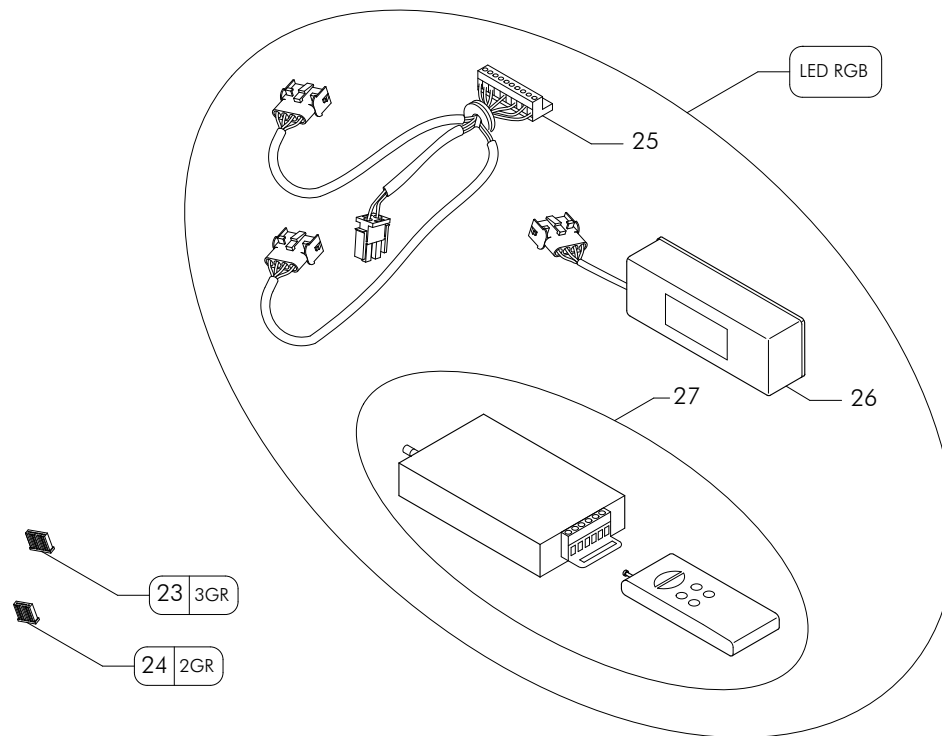
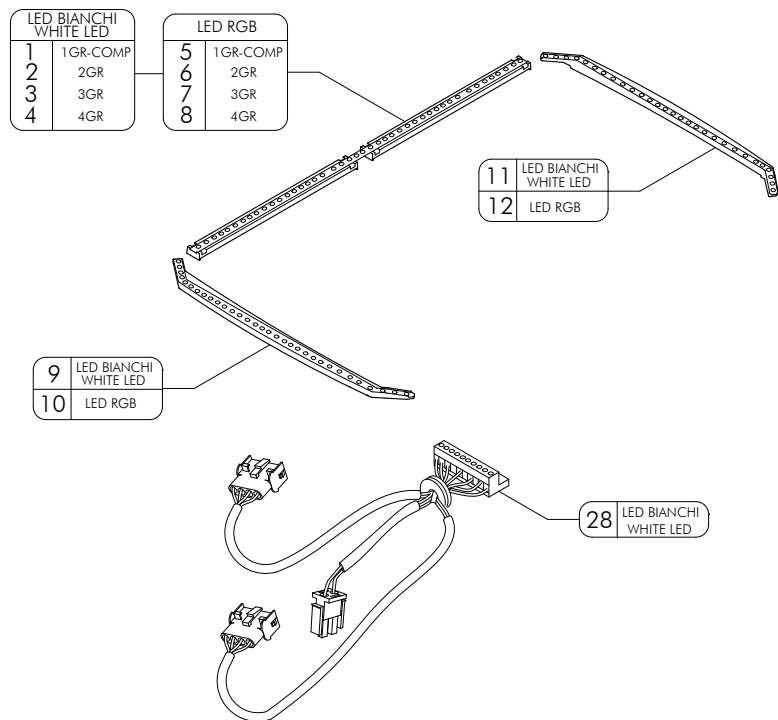
AEP/SAE/TS

| Pos | Cod. | Denominazione - IT - | Denomination - GB - | Denomination - FR - | Denomination - DE - |
|-----|----------|--|---------------------------------|------------------------------------|-----------------------------------|
| 39 | 22716127 | CABLAGGIO SERVIZI SAE/4 | SERVICES WIRING SAE/4 UL | CABLAGE DE SERVICE SAE/4 UL | VERKABELUNG DIENST. SAE/4 UL |
| 40 | 22716130 | CABLAGGIO SERVIZI SAE/2+DISPLAY | SERVICES WIRING SAE/2+DSP UL | CABLAGE DE SERVICES SAE/2+DSP UL | VERKABELUNG DIENST. SAE/2+DSP UL |
| 41 | 22716131 | CABLAGGIO SERVIZI SAE/3+DISPLAY | SERVICES WIRING SAE/3+DSP UL | CABLAGE DE SERVICES SAE/3+DSP UL | VERKABELUNG DIENST. SAE/3+DSP UL |
| 42 | 22716132 | CABLAGGIO SERVIZI SAE/4+DISPLAY | SERVICES WIRING SAE/4+DSP UL | CABLAGE DE SERVICES SAE/4+DSP UL | VERKABELUNG DIENST. SAE/4+DSP UL |
| 43 | 8318104R | KIT COMMUTATORE BREMAS A20 | KIT COMMUTATOR BREMAS A20.12 | KIT COMMUTATEUR BREMAS A20.12 | KIT UMSCHLATER BREMAS A20.12 |
| 43 | 8318105R | KIT COMMUTATORE BREMAS 32A | KIT COMMUTATOR BREMAS A32.12 | KIT COMMUTATEUR BREMAS A32.12 | KIT UMSCHALTER BREMAS A32.12 |
| 44 | 29067 | ETICHETTA ADESIVA '1-0-2' NERO PLASTICO | ADHESIVE LABEL '1-0-2' BLACK | ETIQ. ADHES. 1-0-2' NOIR | KLEBEETIKETTE '1-0-2'SCHWARZ |
| 45 | 15271 | MANOPOLA INTERR.GENERALE BREMAS | MAIN SWITCH HAND GRIP | MANETTE INTERR. GENERAL | HAUPTSCHALTERGRIF |
| 46 | 22716138 | CABLAGGIO 3PH+N D-2.5 1/2GR RELE'STATICI | WIRING 3PH+N | CABLAGE 3PH+N | VERDRAHTUNG 3PH+N |
| 46 | 22716139 | CABLAGGIO 3PH+N D-4 3/4GR RELE'STATICI | WIRING 3PH+N | CABLAGE 3PH+N | VERDRAHTUNG 3PH+N |
| 46 | 22716140 | CABLAGGIO 1PH D-2.5 1/2GR RELE'STATICI | WIRING 1PH | CABLAGE 1PH | VERDRAHTUNG 1PH |
| 46 | 22716141 | CABLAGGIO 1PH D-4 3/4GR RELE'STATICI | WIRING 1PH | CABLAGE 1PH | VERDRAHTUNG 1PH |
| 46 | 22716142 | CABLAGGIO 1PH 12AWG 1/2GR UL | CABLE 1/2GR UL | CABLE 1/2GR UL | KABEL 1/2GR UL |
| 46 | 22716143 | CABLAGGIO 1PH 10AWG 3/4GR UL | CABLE 3/4GR UL | CABLE 3/4GR UL | KABEL 3/4GR UL |
| 46 | 22716144 | CABLAGGIO 1PH INMETRO 1/2GR UL | CABLE 1/2GR | CABLE 1/2GR | KABEL 1/2GR |
| 46 | 22716145 | CABLAGGIO 1PH INMETRO 3/4GR | CABLE 3/4GR | CABLE 3/4GR | KABEL 3/4GR |
| 47 | 56930000 | ASSIEME TERMOSTATO EGO STD CMA/WEGA | ASS.THERMOSTAT | ENS.THERMOSTAT | THERMOSTAT |
| 48 | 22716146 | CAVO COLLEGAMENTO CENTALINA DISPLAY | WIRING DISPLAY | CABLAGE DISPLAY | VERDRAHTUNG DISPLAY |
| 49 | 19104 | FUSIBILE OMEGA 5x20 T-10A | FUSE OMEGA 5x20 T-10A | FUSIBLE OMEGA 5x20 T-10A | SCHMELZSICHERUNG OMEGA 5x20 T-10A |
| 50 | 19123002 | PORTAFUSIBILE F430 250V 10A UR/VDE | FUSE HOLDER 250V 10A UR | PORTE-FUSIBLE 250V 10A UR | SICHRUNGSHALTER 250V 10A UR |
| 51 | 22716202 | CAVO PULS.SX DISPLAY 2P | WIRING | CABLAGE | VERDRAHTUNG |
| 52 | 22716203 | CAVO PULS.SX DISPLAY 2P 4GR | WIRING | CABLAGE | VERDRAHTUNG |
| 53 | 18090237 | DOSATURA MANUALE AEP/1-4GR 230V | MANUAL DOSAGE | DOSAGE MANUEL | MANUELLE DOSIERUNG |
| 53 | 18090238 | DOSATURA MANUALE AEP/1-4GR 120V | MANUAL DOSAGE | DOSAGE MANUEL | MANUELLE DOSIERUNG |
| 54 | 19103 | FUSIBILE 5x20 6.3A ST520263 OMEGA | FUSE 5x20 6.3A ST520263 OMEGA | FUSIBLE 5x20 6.3A ST520263 OMEGA | SCHMELZSICH.OMAGEA 5x20 ST520263 |
| 55 | 22628035 | CAVO MICRO USB -> USB 2.0 F PANN. | MICRO USB CABLE | MICRO USB CABLE | MICRO USB KABEL |
| 56 | 20150 | PRESSOSTATO SECCO SIRAI 30A | DRY PRESSURE SWITCH SIRAI 30A | PRESSOSTAT SEC SIRAI 30A | TROCKENDRUCKWACHTER SIRAI 30A |
| 57 | 18255051 | TRASDUTTORE PRESSIONE CALDAIA | BOILER PRESSURE TRANSMITTER | TRANSMETTEUR DE PRESSION CHAUDIERE | DRUCKMESSUMFORMER KESSEL |
| 58 | 20158 | PRESSOSTATO N.C. 1/8 1-5 OT | PRESSURE SWITCH N.C. 1/8 1-5 OT | PRESSOSTAT N.C. 1/8 1-5 OT | DRUCKWACHTER N.C. 1/8 1-5 OT |
| 59 | 22716204 | CAVO PULS.SX CENTRALINA 2P | WIRING | CABLAGE | VERDRAHTUNG |
| 60 | 22716147 | CAVO COLLEGAMENTO CENTALINA PULSANTIERE | WIRING | CABLAGE | VERDRAHTUNG |
| 61 | 22716148 | CAVO COLLEGAMENTO PONTE PULSANTIERE | WIRING | CABLAGE | VERDRAHTUNG |

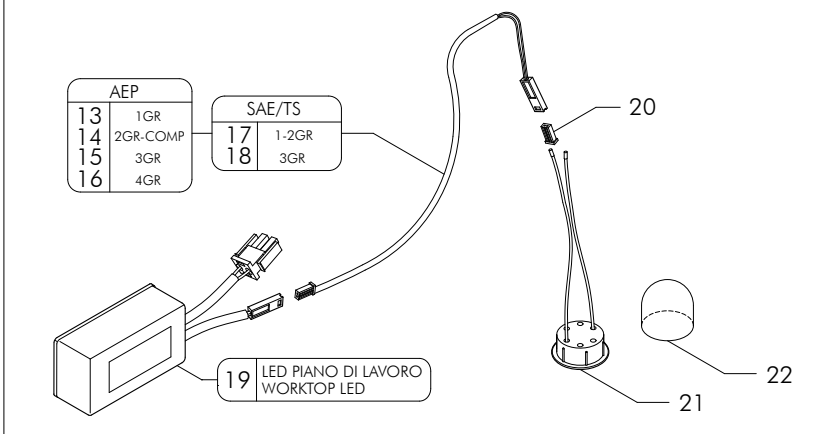


SCALDATAZZE - CUP HEATING - CHAUFFE TASSES - TASSENWARMER

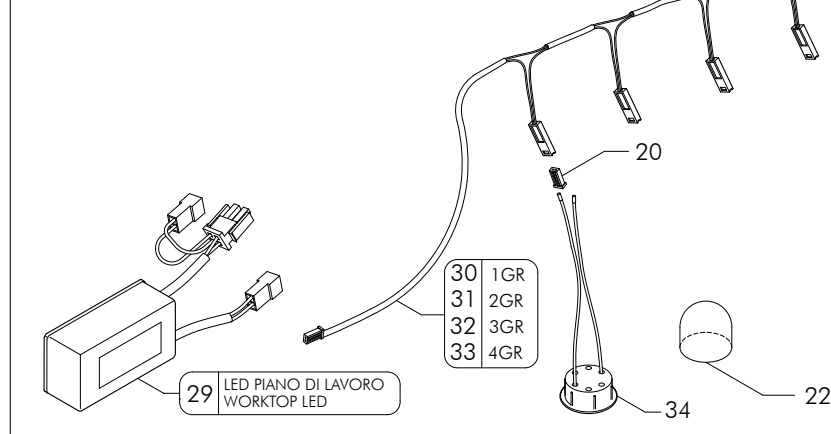
| Pos | Cod. | Denominazione - IT - | Denomination - GB - | Denomination - FR - | Denomination - DE - |
|-----|----------|----------------------------|-------------------------------|--------------------------|--------------------------|
| 1 | 17025018 | RESISTENZA 2GR 230V 200W | HEATING ELEMENT 2GR 230V 200W | RESISTANCE 2GR 230V 200W | HEIZKORPER 2GR 230V 200W |
| 1 | 17025019 | RESISTENZA 3GR 230V 250W | HEATING ELEMENT 3GR 230V 250W | RESISTANCE 3GR 230V 250W | HEIZKORPER 3GR 230V 250W |
| 2 | 20306004 | SONDA NTC | NTC PROBE | SONDE NTC | NTC SONDE |
| 3 | 12012 | GUARNIZIONE TEFLON 8.5x4x2 | GASKET TEFLON 8.5x4x2 | JOINT TEFLON 8.5x4x2 | DICHTUNG TEFLON 8.5x4x2 |
| 4 | 77583100 | STAFFA BLOCCHETTO SONDA | BLOCK BRACKET | ETRIER BLOC | ANSCHLAG BUGEL |
| 5 | 25338000 | BLOCCHETTO SONDA NTC | PROBE BLOCK NTC | BLOC SONDE NTC | SONDE ANSCHLAG NTC |
| 6 | 77614208 | PIASTRA PER RESISTENZA 2GR | HEATING EL. PLATE 2GR | PLAQUE RESISTANCE 2GR | HEIZKORPER PLATTE 2GR |
| 7 | 77614209 | PIASTRA PER RESISTENZA 3GR | HEATING EL. PLATE 2GR | PLAQUE RESISTANCE 2GR | HEIZKORPER PLATTE 2GR |
| 8 | 77614210 | PIASTRA PER RESISTENZA 4GR | HEATING EL. PLATE 2GR | PLAQUE RESISTANCE 2GR | HEIZKORPER PLATTE 2GR |
| 9 | 18559023 | ALIMENTATORE LED | LED POWER UNIT | ALIMENTATION LED | LED NETZTEIL |



FINO AL N. DI SERIE/TO SERIAL N. 693309

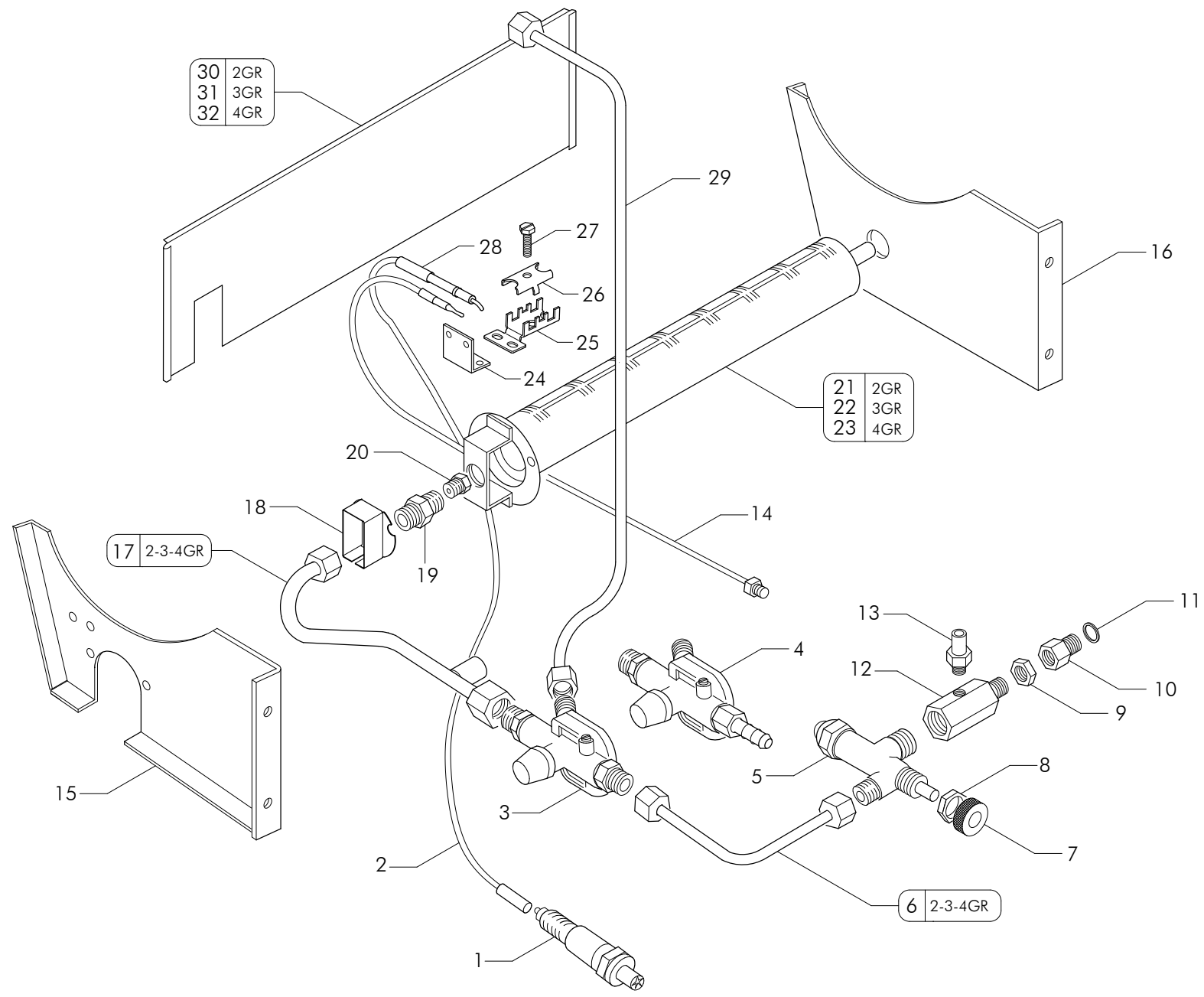


DAL N. DI SERIE/FROM SERIAL N. 693310

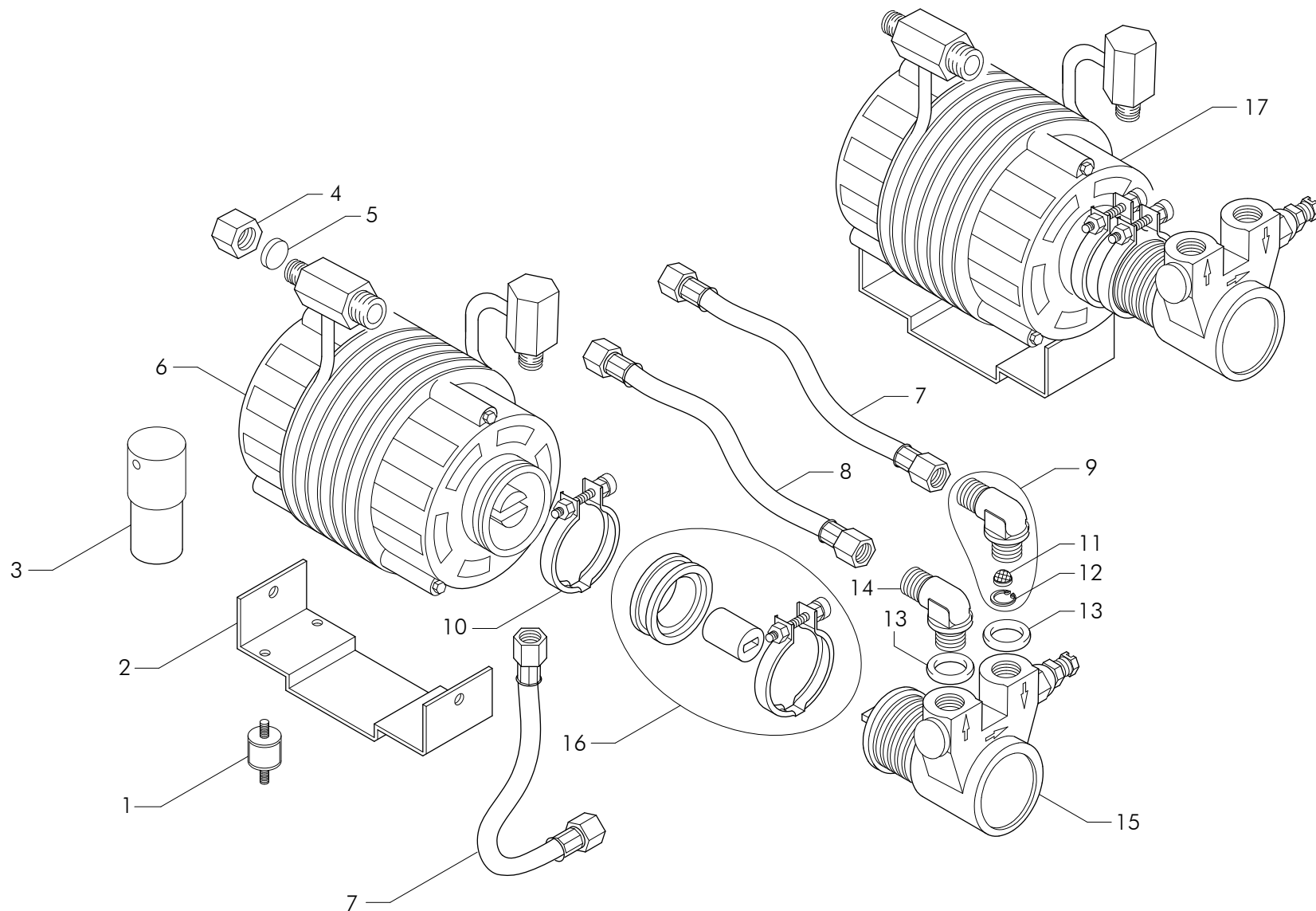


LED

| Pos | Cod. | Denominazione - IT - | Denomination - GB - | Denomination - FR - | Denomination - DE - |
|-----|----------|--|--------------------------------------|------------------------------|--------------------------|
| 1 | 18371214 | STRIP 24 LED BIANCO 1GR PERLA-16- | XX LED STRIP WHITE | BANDE DE XX LED BLANC | LED XX STREIFEN WEISS |
| 2 | 18371215 | STRIP 36 LED BIANCO 2GR PERLA-16- | 36 LED STRIP WHITE | BANDE DE 36 LED BLANC | LED 36 STREIFEN WEISS |
| 3 | 18371216 | STRIP 51 LED BIANCO 3GR PERLA-16- | 51 LED STRIP WHITE | BANDE DE 51 LED BLANC | LED 51 STREIFEN WEISS |
| 4 | 18371217 | STRIP 66 LED BIANCO 4GR PERLA-16- | 66 LED STRIP WHITE | BANDE DE 66 LED BLANC | LED 66 STREIFEN WEISS |
| 5 | 18371220 | STRIP 24 LED RGB 1GR PERLA-16- | XX LED STRIP RGB | BANDE DE XX LED RGB | LED XX STREIFEN RGB |
| 6 | 18371221 | STRIP 36 LED RGB 2GR PERLA-16- | 36 LED STRIP RGB | BANDE DE 36 LED RGB | LED 36 STREIFEN RGB |
| 7 | 18371222 | STRIP 51 LED RGB 3GR PERLA-16- | 51 LED STRIP RGB | BANDE DE 51 LED RGB | LED 51 STREIFEN RGB |
| 8 | 18371223 | STRIP 66 LED RGB 4GR PERLA-16- | 66 LED STRIP RGB | BANDE DE 66 LED RGB | LED 66 STREIFEN RGB |
| 9 | 18371213 | SUPPORTO FIANCO SINISTRO CON STRIP 27 LED | 27 LED STRIP WHITE | BANDE DE 27 LED BLANC | LED 27 STREIFEN WEISS |
| 10 | 18371219 | SUPPORTO FIANCO SINISTRO CON STRIP 27 LED | 27 LED STRIP RGB | BANDE DE 27 LED RGB | LED 27 STREIFEN RGB |
| 11 | 18371212 | SUPPORTO FIANCO DESTRO CON STRIP 27 LED BI | 27 LED STRIP WHITE | BANDE DE 27 LED BLANC | LED 27 STREIFEN WEISS |
| 12 | 18371218 | SUPPORTO FIANCO DESTRO CON STRIP 27 LED RG | 27 LED STRIP RGB | BANDE DE 27 LED RGB | LED 27 STREIFEN RGB |
| 13 | 22716193 | CABLAGGIO SPOT LED 1GR | LED 1GR WIRING | CABLAGE LED 1GR | LED 1GR VERDR. |
| 14 | 22716194 | CABLAGGIO SPOT LED 2GR | LED 2GR WIRING | CABLAGE LED 2GR | LED 2GR VERDR. |
| 15 | 22716195 | CABLAGGIO SPOT LED 3GR | LED 3GR WIRING | CABLAGE LED 3GR | LED 3GR VERDR. |
| 16 | 22716196 | CABLAGGIO SPOT LED 4GR | LED 4GR WIRING | CABLAGE LED 4GR | LED 4GR VERDR. |
| 17 | 22715974 | CABLAGGIO LED 2GR | CABLE 2GR LED | CABLAGE 2GR LED | VERKABELUNG 2GR LED |
| 18 | 22715975 | CABLAGGIO LED 3GR | CABLE 3GR LED | CABLAGE 3GR LED | VERKABELUNG 3GR LED |
| 19 | 18559015 | ALIMENTATORE 100V-270V 350mA | POWER UNIT 100V-270V 350mA | ALIMENTATION 100V-270V 350mA | NETZTEIL 100V-270V 350mA |
| 20 | 15037 | CONNETTORE FEMMIMA 2VIE NERO | CONNECTOR FEMALE - 2 WAYS BLACK | CONNECTEUR FEMELLE 2V | FEMALE CONNECTOR |
| 21 | 21040005 | LAMPADA LED | LED LIGHT | LAMPE LED | LED LAMPE |
| 22 | 15048503 | CAPPUCCIO EPDM PER LED | HOOD | HOUSSE | HAUBE |
| 23 | 15039002 | CONNETTORE FEMM. 8VIE | FEMALE BLACK ELECTR. CONNECT. 8HOLES | CONNECTION 8 VOIES NOIR FE. | VERBINDER NUT 8V |
| 24 | 15039001 | CONNETTORE FEMM. 6VIE | FEMALE BLACK ELECTR. CONNECT. 6HOLES | CONNECTION 6 VOIES NOIR FE. | VERBINDER NUT 6V |
| 25 | 22716150 | CAVO COMANDO LED RGB PROFILO FERMATAZZE | LED RGB WIRING | CABLAGE LED RGB | VERDRAHTUNG LED RGB |
| 26 | 18559016 | ALIMENTATORE LED 12V | LED POWER UNIT | ALIMENTATION LED | LED NETZTEIL |
| 27 | 18559017 | CONTROLLER RF AUDIO | CONTROLLER RF AUDIO | CONTROLEUR RF AUDIO | REGLER RF AUDIO |
| 28 | 22716149 | CAVO COMANDO LED BIANCHI PROFILO FERMATAZZ | LED WIRING | CABLAGE LED | LED VERDRAHTUNG |
| 29 | 18559023 | ALIMENTATORE LED | LED POWER UNIT | ALIMENTATION LED | LED NETZTEIL |
| 30 | 22716193 | CABLAGGIO SPOT LED 1GR | LED 1GR WIRING | CABLAGE LED 1GR | LED 1GR VERDR. |
| 31 | 22716194 | CABLAGGIO SPOT LED 2GR | LED 2GR WIRING | CABLAGE LED 2GR | LED 2GR VERDR. |
| 32 | 22716195 | CABLAGGIO SPOT LED 3GR | LED 3GR WIRING | CABLAGE LED 3GR | LED 3GR VERDR. |
| 33 | 22716196 | CABLAGGIO SPOT LED 4GR | LED 4GR WIRING | CABLAGE LED 4GR | LED 4GR VERDR. |
| 34 | 21040009 | LAMPADA LED | LED LIGHT | LAMPE LED | LED LAMPE |

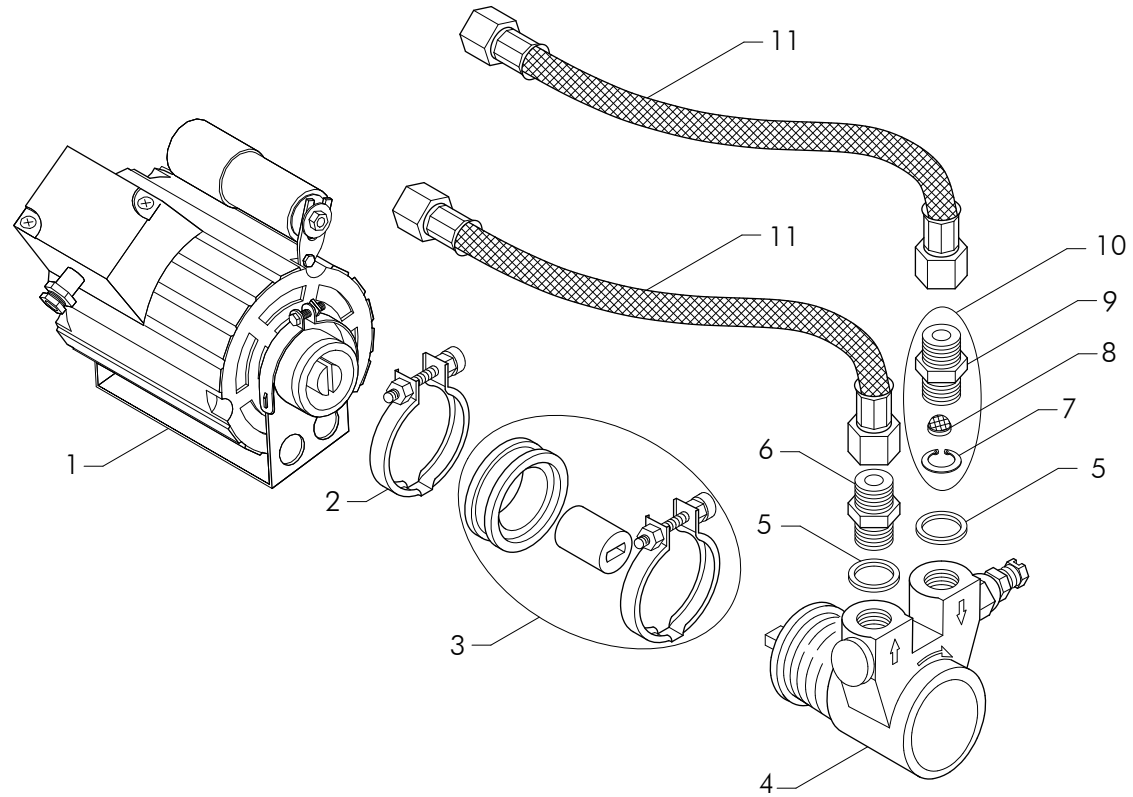


| Pos | Cod. | Denominazione - IT - | Denomination - GB - | Denomination - FR - | Denomination - DE - |
|-----|----------|--|------------------------------------|------------------------------------|----------------------------------|
| 1 | 15010 | BLOCCO+COL.AVN M22x1.5 SIT 0073952 | GAS STARTER M22X1.5 SIT 0073952 | BLOC ALLUMAGE GAZ | ZUNDUNGSPERRE GAS AVN M22x1.5 |
| 2 | 22002 | CAVO AL GAS/SIT 0028511 PIEZ L800 | GAS/SIT FEEDING CABLE 0028520 L800 | CABLE ALIMENTATION GAZ SIT 0028520 | GAS/SIT SPEISEKABEL 0028520 L800 |
| 3 | 51005 | ASSIEME REGOLATORE GAS x SICUREZZA DV/SP | GAS REGULATOR | ENSEMBLE REGULATEUR GAZ | GASREGELUNGSSATZ |
| 4 | 51003 | ASSIEME REGOLATORE GAS NORMALE POLI | NORMAL GAS REGULATOR SET *POLES* | ENSEMBLE REGULATEUR GAZ NORMAL | GASREGELUNGSSATZ |
| 5 | 20221 | RUBINETTO SICUREZZA GAS SIT | GAS SECURITY VALVE SIT | ROBINET SURETE GAZ SIT | GASSICHERHEITSHAHN SIT |
| 6 | 52000872 | TUBO D-8 L.145 TB46 | TUBE D-8 L.145 | TUYAU D-8 L.145 | ROHR D-8 L.145 |
| 7 | 10350 | GHIERA GAS SIT | GAS RING NUT SIT | EMBOUT POUR GAZ SIT | GASZWINGE SIT |
| 8 | 23019 | DADO M12x1 OTTONE | S.I.T. BRASS NUT M12X1 | ECROU M12X1 LAITON POUR S.I.T. | MESSING SCHRAUBENMUTTER M12x1 |
| 9 | 25396 | DADO 1/4 SP.4 | NUT 1/4 - 4 THICK | ECROU 1/4 SP.4 | MUTTER 1/4 |
| 10 | 25715010 | RACCORDO DRITTO 1/4F 1/4M CONICO | CONNECTOR 1/4 F 1/4 M | RACCORD DROIT 1/4 F 1/4 M | ANSCHLUSS 1/4F 1/4M |
| 11 | 12662004 | GUARNIZIONE ALL.11x7x1.5 | GASKET 11x7x1.5 | JOINT 11x7x1.5 | DICHTUNG 11x7x1.5 |
| 12 | 25621100 | PROLUNGA RUBINETTO GAS | EXTENSION GAS | RALLONGE GAZ | VERLANGERUNGAS |
| 13 | 25621005 | PRESA DI PRESSIONE 1/8 GAS | CONNECTOR 1/8 | RACCORD 1/8 | ANSCHLUSS 1/8 |
| 14 | 18552 | TERMOCOPPIA SIT 0290004 L600 | THERMOCOUPLE SIT L=600 | TIGE THERMOCOUPLE GAZ L=600 | THERMOELEMENT SIT 02900040L600 |
| 15 | 780662 | SUPPORTO SINISTRO GAS | LEFT SUPPORT FOR GAS | SUPPORT GAUCHE POUR GAZ | GESTELL GAS LINK |
| 16 | 780661 | SUPPORTO DESTRO GAS | RIGHT SUPPORT FOR GAS | SUPPORT DROIT POUR GAZ | GESTELL GAS RECHT |
| 17 | 52000223 | TUBO D-10 L.215 | TUBE D-10 L.215 | TUYAU D-10 L.215 | ROHR D-10 L.215 |
| 18 | 10660 | REGOLATORE ARIA | AIR REGULATOR | REGULATEUR AIR | LUFTREGLER |
| 19 | 23220 | RACCORDO PORTAUGELLO | NOZZLE-BEARER CONNECTOR | RACCORD PORTE-GIGLEUR | FITTING FUR DUSETRAGER |
| 20 | 10900 | UGELLO EM 1.00N METANO | METHANE NOZZLE EM 1.00N | GICLEUR EM 1.00N METHANE | DUSE EM 1.00N METHAN |
| 20 | 10901 | UGELLO EM 0.60N GPL | GPL NOZZLE EM 0.60N | GICLEUR EM 0.60N G P L | DUSE EM 0.60N G P L |
| 20 | 10903 | UGELLO EM 1.10N METANO | METHANE NOZZLE EM 1.10N | GICLEUR EM 1.10N METHANE | DUSE EM 1.10N METHAN |
| 20 | 10904 | UGELLO EM 0.65N GPL | GPL NOZZLE EM 0.65N | GICLEUR EM 0.65N GPL | DUSE EM 0.65N GPL |
| 20 | 10906 | UGELLO EM 1.35N METANO | METHANE NOZZLE EM 1.35N | GICLEUR EM 1.35N METHANE | DUSE EM 1.35N METHAN |
| 20 | 10907 | UGELLO EM 0.80N GPL | GPL NOZZLE EM 0.80N | GICLEUR EM 0.80N G P L | DUSE EM 0.80N G P L |
| 20 | 10909 | UGELLO EM 1.45N METANO | METHANE NOZZLE EM 1.45N | GICLEUR EM 1.45N METHANE | DUSE EM 1.45N METHAN |
| 20 | 10910 | UGELLO EM 0.85N GPL | GPL NOZZLE EM 0.85N | GICLEUR EM 0.85N G P L | DUSE EM 0.85N G P L |
| 21 | 30011 | BRUCIATORE 2GR 306/12 POLI | 2 GROUPS BURNER 306/12 POLES | BRULEUR 2GR 306/12 POLES | BRENNER 2GR 06/12 POLEN |
| 22 | 30012 | BRUCIATORE 3GR 307/12 POLI | 3-4 GROUPS BURNER 307/12 POLES | BRULEUR 3-4GR 307/12 POLES | BRENNER 3-4GR 307/12 POLEN |
| 23 | 30013 | BRUCIATORE 4GR 102.0211.00 POLI | 4GR BURNER 102.0211.00 POLES | BRULEUR 4GR 102.0211.00 POLES | BRENNER 4GR 102.0211.00 POLEN |
| 24 | 780663 | SUPPORTO TERMOCOPPIA GAS 20/10 | SUPPORT FOR THERMOCOUPLE GAS | SUPPORT POUR THERMOCOUPLE GAZ | GESTELL THERMOELEMENT |
| 25 | 10751 | SUPPORTO TERMOCOPPIA SIT 0978021 | THERMOCOUPLE SIT STAND 0978021 | SUPPORT THERMOCOUPLE SIT 0978021 | THERMOELEMENT HALTER SIT 0978021 |
| 26 | 10750 | SUPPORTO TERMOCOPPIA SIT 0978009 | THERMOCOUPLE SIT STAND 0978009 | SUPPORT THERMOCOUPLE SIT 0978009 | THERMOELEMENT HALTER SIT 0978009 |
| 27 | 23410 | VITE TE UNI 3/16x18 | SCREW TE 3/16X18 | VIS TE 3/16X18 | SCHRAUBE TE UNI 3/16x18 |
| 28 | 20030 | CANDELA M 4 PILOTA 0100 0915036 | PILOT SPARK PLUG M4 0100 GAS | BOUGIE M 4 PILOTE | KERZE M 4 0100 SIC/GAS |
| 29 | 52000224 | TUB.D-6 L.390 DV 25 REGOLAT | D-6 390 L PIPE DV 25 | TUYAU D-6 L.390 DV 25 | ROHR D-6 L.390 DV 25 |
| 30 | 77422002 | COPRICALDAIA 2GR | BOILER COVER 2GR | COUVRE-CHAUDIÈRE 2GR | KESSELDECKEL 2GR |
| 31 | 77423002 | COPRICALDAIA 3GR | BOILER COVER 3GR | COUVRE-CHAUDIÈRE 3GR | KESSELDECKEL 3GR |
| 32 | 77424002 | COPRICALDAIA 4GR | BOILER COVER 4GR | COUVRE-CHAUDIÈRE 4GR | KESSELDECKEL 4GR |



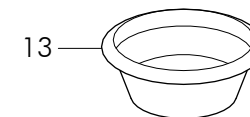
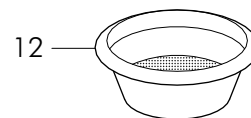
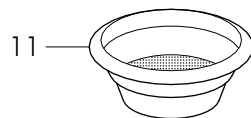
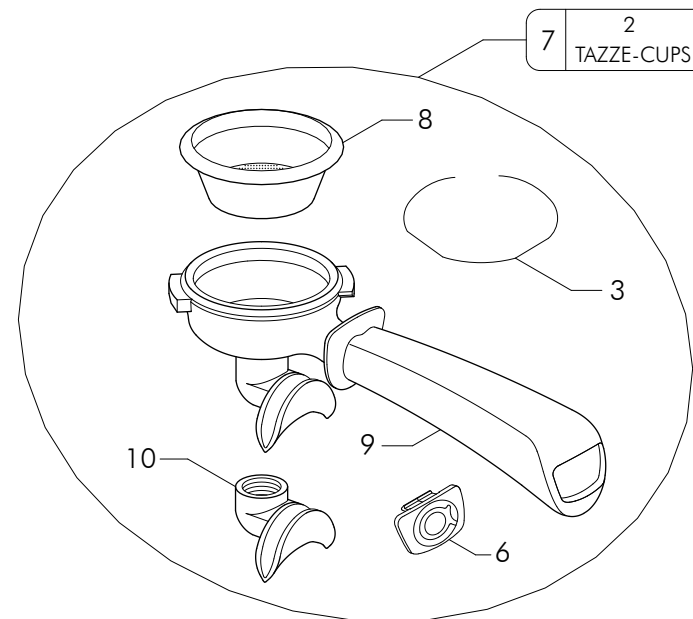
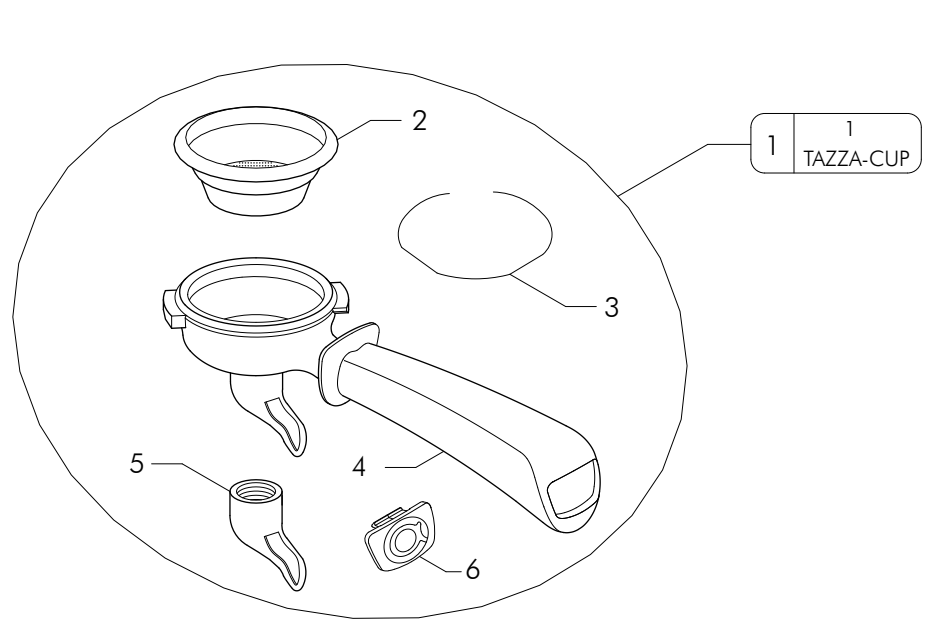
INTERNA - INTERNAL - INTÉRIEUR - INNEN

| Pos | Cod. | Denominazione - IT - | Denomination - GB - | Denomination - FR - | Denomination - DE - |
|-----|------------|---|---|-----------------------------------|---|
| 1 | 15105 | GOMMA AMMORTIZZATORE | RUBBER FOR MOTOR | CAOUTCHOUC POUR MOTEUR | GUMMI x MOTOR |
| 2 | 78174 | SUPPORTO MOTORE | MOTOR SUPPORT | SUPPORT MOTEUR | EINGEBAUTER MOTORHALTER |
| 3 | 19062001 | CONDENSATORE MOTORE 230V 7uF | MOTOR CAPACITOR 230V 7uF | CONDENSATEUR MOTEUR 230V 7uF | KONDENSATOR MOTOR 230V 7uF |
| 4 | 25782 | TAPPO FEMMINA 1/4 GAS | 1/4 GAS FEMALE TAP | BOUCHON FEMELLE 1/4 GAZ | INNENANSCHLUSSSTOPSEL 1/4 GAS |
| 5 | 12007 | GUARNIZIONE KLINGERSIL4400 | KLINGERSIL4400 SEAL | JOINT KLINGERSIL4400 | DICHTUNG KLINGER SIL4400 |
| 6 | 56406 | MOTORE RPM Ni 230V 50/60 R.H20 ASSIEME | MOTOR RPM 230V 50/60Hz H20 | MOTEUR RPM 230V 50/60HZ H20 | MOTOR RPM 230V 50/60HZ H20 |
| 7 | 4630404002 | TUBOFLEX 3/8FF P.GOMMA CON. L-450mm CW51 | 3/8 FEMALE L45 FLEX PIPE CONICAL HOSE F | TUYAU FLEX 3/8 FF L45 PORTE-TUYAU | SCHLAUCH 3/8 AUFNAHMETUR L45 GUMMI KONI |
| 8 | 4630404003 | TUBOFLEX 3/8FF P.GOMMA CON. L-230mm CW510 | 3/8 FEMALE L23 FLEX PIPE CONICAL HOSE F | TUYAU FLEX 3/8 FF L23 PORTE-TUYAU | SCHLAUCH 3/8 AUFNAHMETUR L23 GUMMI KONI |
| 9 | 56116001 | RACCORDO GOMITO 3/8+3/8 MOTOPOMPA ASSIEME | CONNECTOR 3/8+3/8 PUMP ASSEMBLY | RACCORD 3/8 + 3/8 ENS. MOTOPOMPE | ANSCHLUSS 3/8 + 3/8 MOTORP. ZUSAMMEN |
| 10 | 26310003 | FASCETTA GIUNZIONE MOTORE-POMPA | CLAMP MOTOR-PUMP | BANDE MOTEUR-POMPE | SHELLE MOTOR-PUMPE |
| 11 | 10254 | FILTRO ACCIAIO 160-200 MESH | STEEL FILTER 160-200 MESH | FILTRE EN ACIER 160-200 MESH | STAHLFILTER 160-200 MESH |
| 12 | 10005 | ANELLO DI ARRESTO INOX | STAINLESS STEEL STOP RING | ANNEAU DE BUTEE INOX | DRAHTSPRENGRING ROSTFREI |
| 13 | 12101 | GUARNIZIONE RAME 3/8 22x17x3 | GASKET COPPER 3/8 22x17x3 | JOINT CUIVRE 3/8 22x17x3 | KUPFERDICHTUNG 3/8 22x17x3 |
| 14 | 43052 | RACCORDO "L" 3/8 | CONNECTOR 'L' 3/8 | RACCORD 'L' 3/8 | ANSCHLUSS 'L' 3/8 |
| 15 | 4626303 | POMPA FLUID-O-TECH CW510L | PUMP FLUYD CW510L | POMPE CW510L | PUMPE CW510L |
| 16 | 83260016R | KIT DISACCOPIAMENTO MOTORE POMPA | KIT DECOUPLING MOTOR-PUMP | ENSEMBLE DECOUPLAGE MOTEUR POMPE | KIT MOTOR-PUMPE KUPPLUNG |
| 17 | 56123439 | ASSIEME MOTORE 230V + POMPA | UNIT MOTOR 230V + PUMP | ENSEMBLE MOTEUR 230V + POMPE | SATZ MOTOR 230V + PUMPE |



ESTERNA - EXTERNAL - EXTERNE - EXTERN

| Pos | Cod. | Denominazione - IT - | Denomination - GB - | Denomination - FR - | Denomination - DE - |
|-----|-----------|--|----------------------------------|-------------------------------------|--------------------------------------|
| 1 | 18300 | MOTORE R.P.M. 230/50-60 110027.06 | MOTOR R.P.M. 230/50-60 110027.06 | MOTEUR TOURS/MIN 230/50-60 110027.0 | MOTOR R.P.M. 230/50-60 110027.06 |
| 2 | 26310003 | FASCETTA GIUNZIONE MOTORE-POMPA | CLAMP MOTOR-PUMP | BANDE MOTEUR-POMPE | SCHELLE MOTOR-PUMPE |
| 3 | 83260016R | KIT DISACCOPIAMENTO MOTORE POMPA | KIT DECOUPLING MOTOR-PUMP | ENSEMBLE DECOUPLAGE MOTEUR POMPE | KIT MOTOR-PUMPE KUPPLUNG |
| 4 | 4626303 | POMPA FLUID-O-TECH CW510L | PUMP FLUYD CW510L | POMPE CW510L | PUMPE CW510L |
| 5 | 12154 | GUARNIZIONE CU 3/8 22x17x1.5 | GASKET COPPER 3/8 22x17x1,5 | JOINT CUIVRE 3/8 22x17x1.5 | KUPFERDICHTUNG 3/8 22x17x1.5 |
| 6 | 25687 | RACCORDO 3/8x3/8 GAS | 3/8x3/8 GAS FITTING | RACCORD 3/8x3/8 GAZ | ANSCHLUSS 3/8x3/8 GAS |
| 7 | 10005 | ANELLO DI ARRESTO INOX | STAINLESS STEEL STOP RING | ANNEAU DE BUTEE INOX | DRAHTSPRENGRING ROSTFREI |
| 8 | 10254 | FILTRO ACCIAIO 160-200 MESH | STEEL FILTER 160-200 MESH | FILTRE EN ACIER 160-200 MESH | STAHLFILTER 160-200 MESH |
| 9 | 25732 | RACCORDO 3/8x3/8 + SEDE FILTRO | 3/8x3/8 FITTING + FILTER HOUSING | RACCORD 3/8x3/8 + LOG. FILTRE | ANSCHLUSS 3/8x3/8 + FILTERSITZ |
| 10 | 56116 | RACCORDO 3/8+3/8 MOTOPOMPA ASSIEME | CONNECTOR 3/8+3/8 PUMP ASSEMBLY | RACCORD 3/8 + 3/8 ENS. MOTOPOMPE | ANSCHLUSS 3/8 + 3/8 MOTORP. ZUSAMMEN |
| 11 | 4630407 | TUBOFLEX 3/8FF P.GOMMA CON. L-1000mm CW510 | FLEX PIPE 3/8 L100 | TUYAU FLEX 3/8 FF L100 | SCHLAUCH 3/8 AUFNAHMETUR L100 |
| 11 | 4630408 | TUBOFLEX 3/8FF P.GOMMA L.150 CW510L | FLEX PIPE 3/8 L.150 CW510L | TUYAU FLEX 3/8 FF L.150 CW510L | SCHLAUCH 3/8 AUFNAHMETUR L.150 GUMMI |



| Pos | Cod. | Denominazione - IT - | Denomination - GB - | Denomination - FR - | Denomination - DE - |
|-----|-----------|--|-------------------------------------|-------------------------------------|---------------------------------------|
| 1 | 83270058R | ASSIEME PORTAFILTRO COPERTURA NERA 1 TAZZA | FILTERHOLDER 1 CUP D.58 | ENSEMBLE PORTE-FILTRE 1 TASSE D.58 | KIT FILTERHALTER EINZELAUSLAUF D.58 |
| 2 | 27142 | FILTRO INOX 1 TAZZA E/61 H.24 | E/61 1 CUP S.STEEL FILTER H.24 | FILTRE INOX 1 TASSE E/61 H.24 | EDELSTAHL-FILTER 1 TASSE E/61 H.24 |
| 3 | 27254 | MOLLA FERMAFILTRO | FILTER CLAMP SPRING | RESSORT BLOCAGE-FILTRE | FILTERHALTEFEDER |
| 4 | 27311200 | PORTAFILTRO 1 TAZZA COPERTURA NERA SENZA T | FILTER HOLDER 1T BLACK COVER | PORTE-FILTRE 1T COUVERCLE NOIR | FILTER HALTER 1T SCHWARZE ABDECKUNG |
| 5 | 27032001 | BECCUCCIO 1 TAZZA | SPOUT 1 CUP | BEC 1 TASSE | AUSGUSS 1 TASSE |
| 6 | 15263032 | TAPPO MANOPOLA PORTAFILTRO ASTORIA | ASTORIA LOGO FOR FILTER HOLDER | LOGO ASTORIA POUR PORTE FILTRE | ASTORIA LOGO FUER FILTERHALTER |
| 7 | 83270059R | ASSIEME PORTAFILTRO COP.NERA 2 TAZZE D.58 | FILTERHOLDER 2 CUPS D.58 | ENSEMBLE PORTE-FILTRE 2 TASSES D.58 | KIT FILTERHALTER DOPPELAUSLAUF D.58 |
| 8 | 27171 | FILTRO INOX 2 TAZZE H.24,5 E/61 | E/61 2 CUPS S.STEEL FILTER H.24,5 | FILTRE INOX 2 TASSES E/61 H.24,5 | EDELSTAHL-FILTER 2 TASSEN E/61 H.24,5 |
| 9 | 27311201 | PORTAFILTRO 2 TAZZE COPERTURA NERA SENZA T | ASTORIA FILTERHOLDER 2 CUPS BLACK | PORTE-FILTRE 2T COUVERCLE NOIR | FILTER HALTER 2T SCHWARZE ABDECKUNG |
| 10 | 27042001 | BECCUCCIO 2 TAZZE | SPOUT 2 CUPS | BEC 2 TASSES | AUSGUSS 2 TASSEN |
| 11 | 27146 | FILTRO INOX 1 TAZZA H.19,5 | 1 CUP STAINLESS STEEL FILTER H.19,5 | FILTRE INOX 1 TASSE H.19,5 | EDELSTAHL-FILTER 1 TASSE H.19,5 |
| 12 | 27176 | FILTRO INOX 2 TAZZE H.22 | 2 CUP STAINLESS STEEL FILTER H.22 | FILTRE INOX 2 TASSES H.22 | EDELSTAHL-FILTER 2 TASSEN H.22 |
| 13 | 27173 | FILTRO INOX 2 TAZZE CIECO | 2 CUPS STAINLESS STEEL BLIND FILTER | FILTRE INOX 2 TASSES AVEUGLE | GESCHLOSSENER FILTER 2 TASSEN |